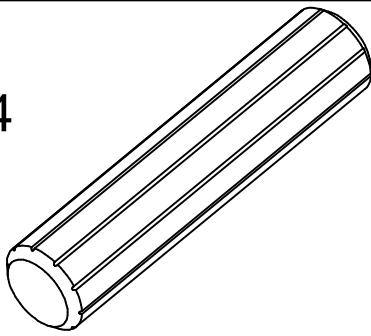
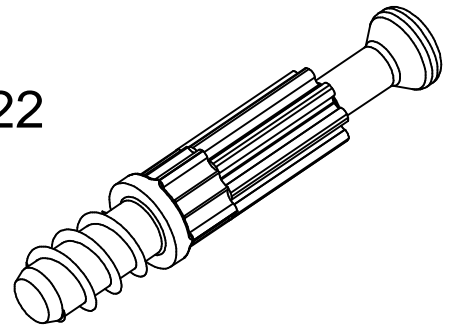


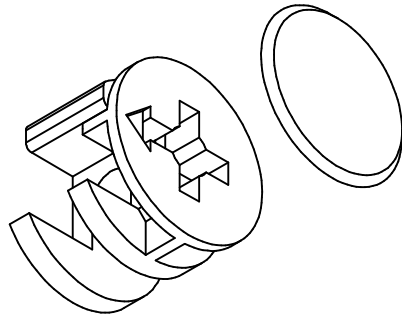
A x 24
(8x36)



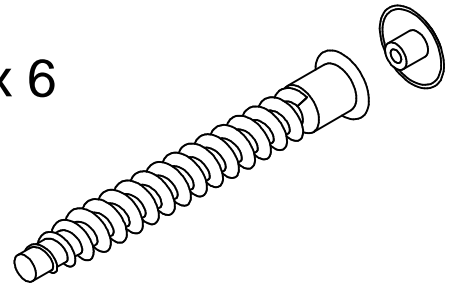
B x 22



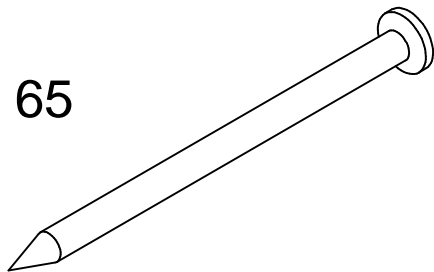
C x 22
(15x12)



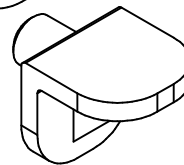
D x 6



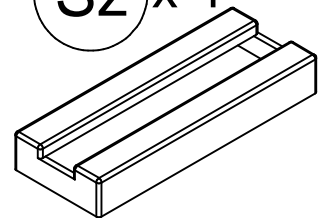
E x 65



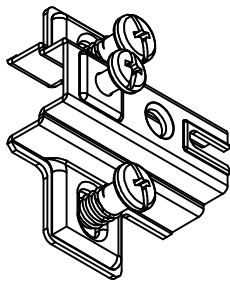
F x 12



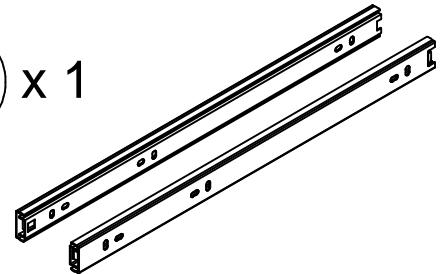
Sz x 4



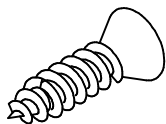
G x 6



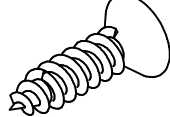
H x 1



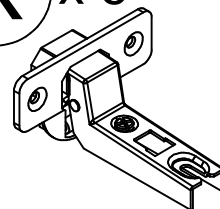
I x 12
(3,5x13)



J x 12
(3,5x16)



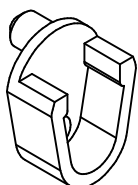
K x 6



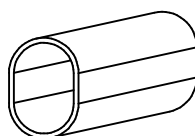
L x 1



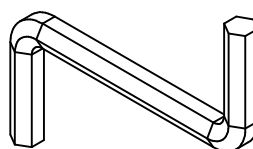
M x 2



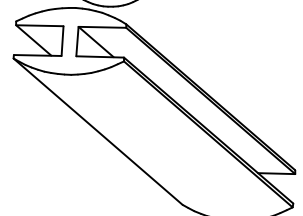
N x 1

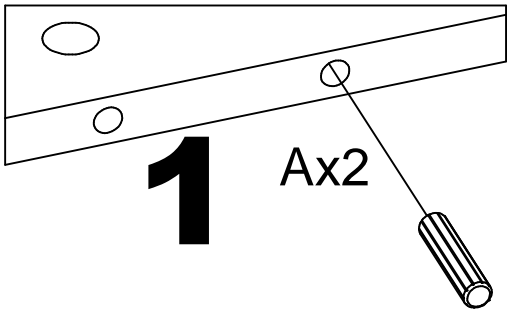


O x 1



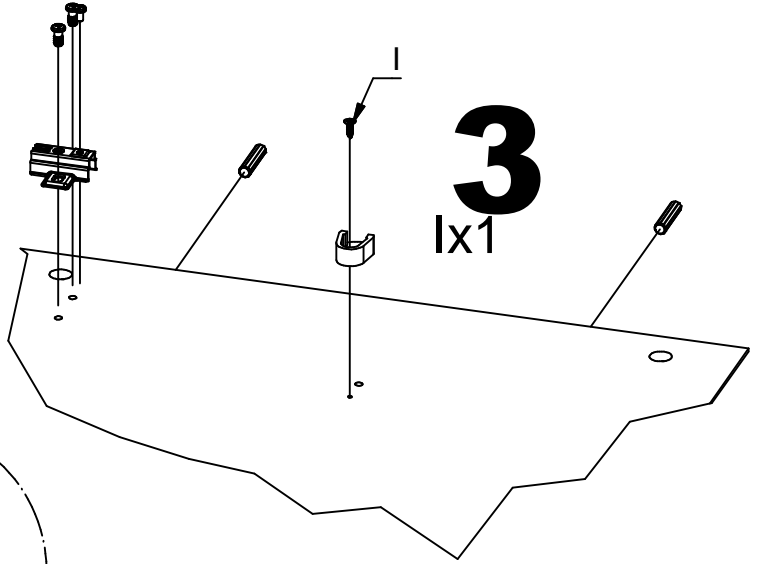
P x 1



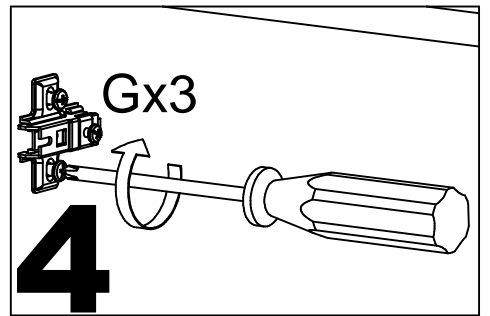
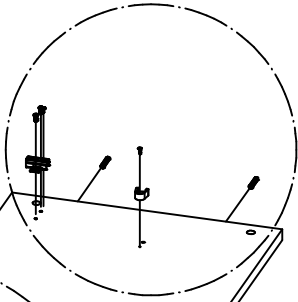


1

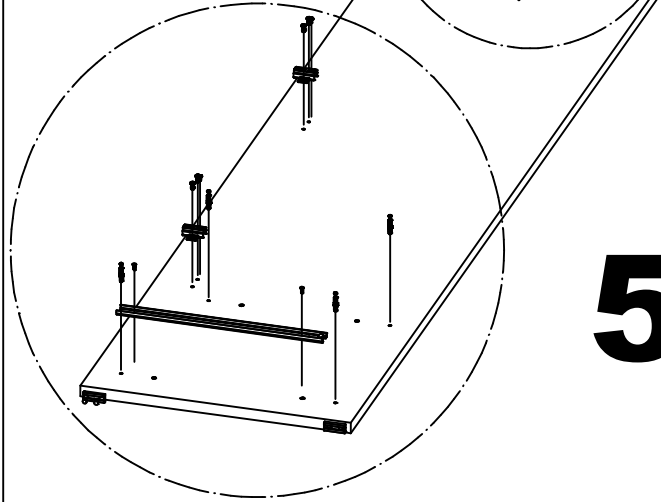
Ax2



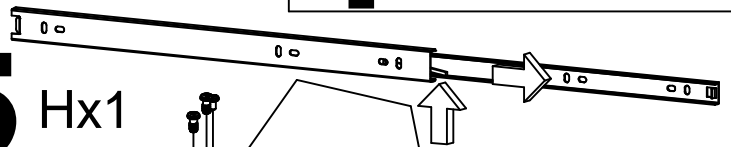
3
Ix1



4
Gx3



5 Hx1



G

B

B

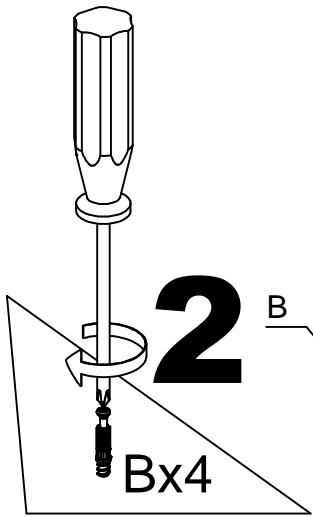
G

B

B

I

I



2

Bx4

B

Sz

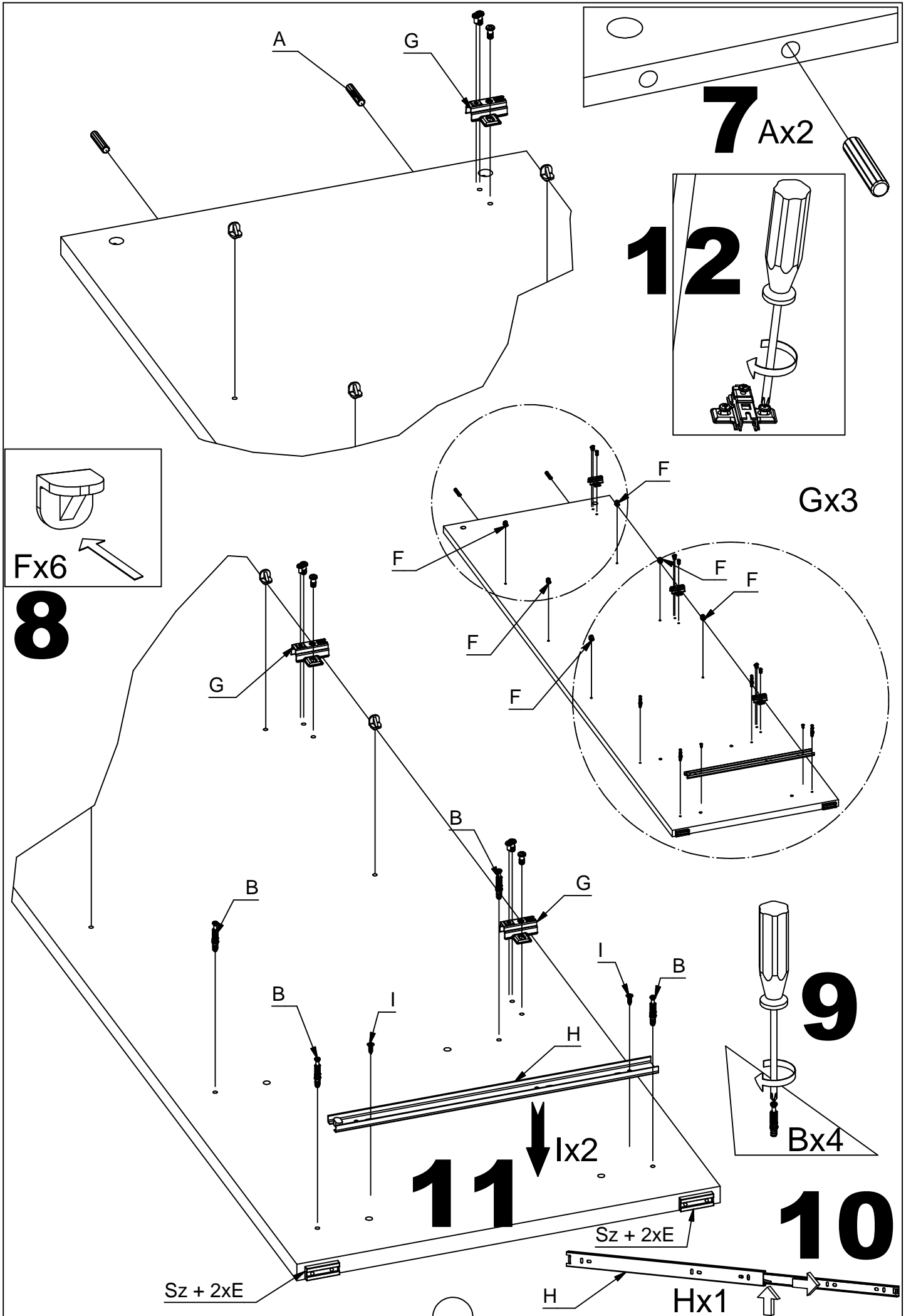
6 Ix2

H

Sz + 2xE

E





7 Ax2

12

Gx3

Fx6

8

9

Bx4

10

11

lx2

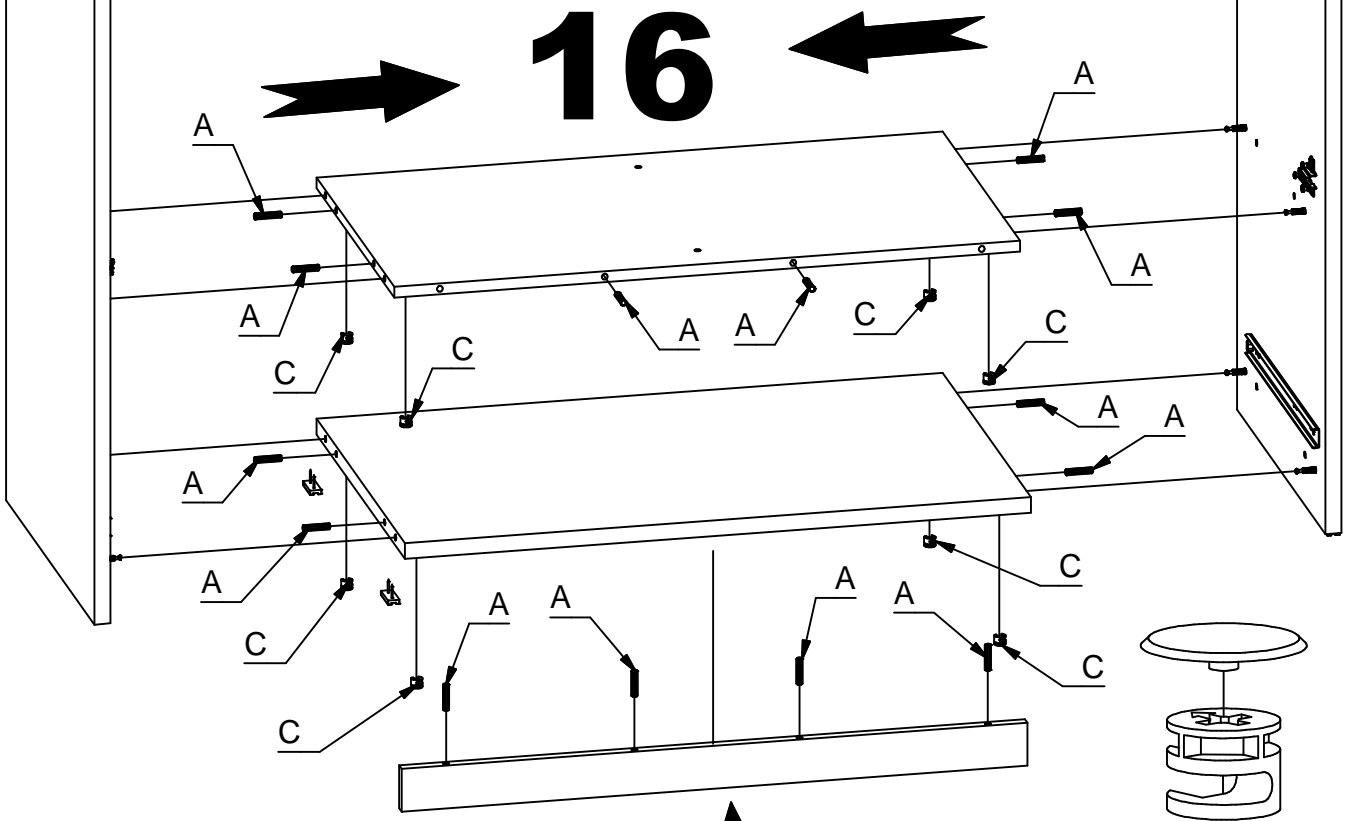
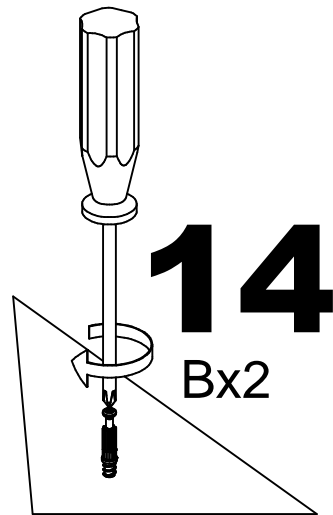
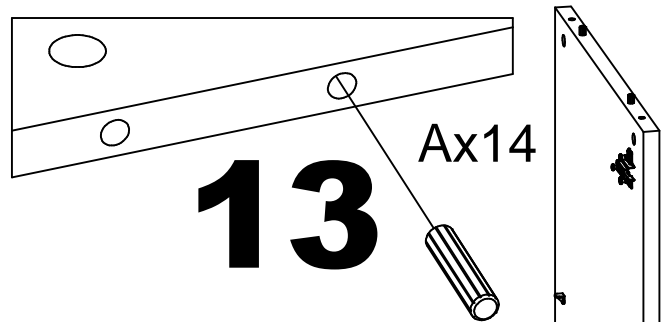
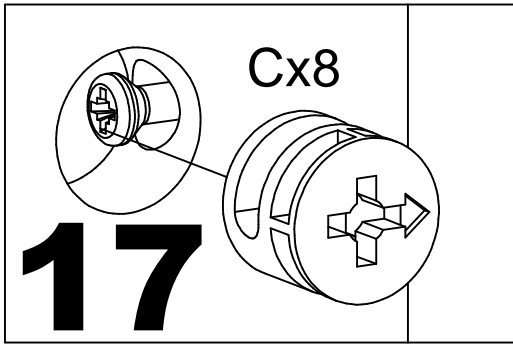
Sz + 2xE

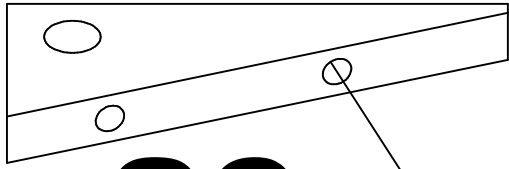
Sz + 2xE

H

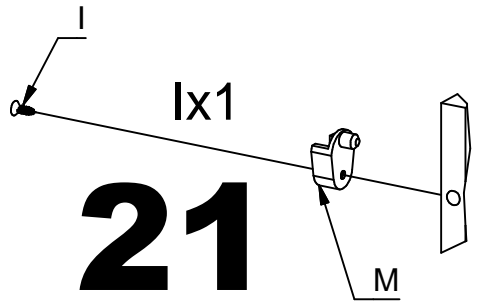
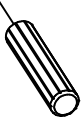
Hx1



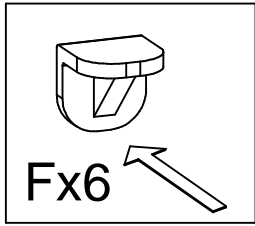




20 Ax4

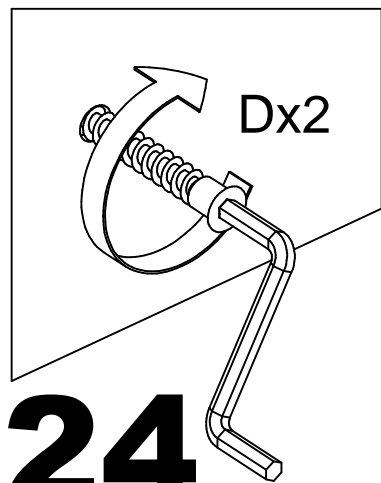


21 lx1



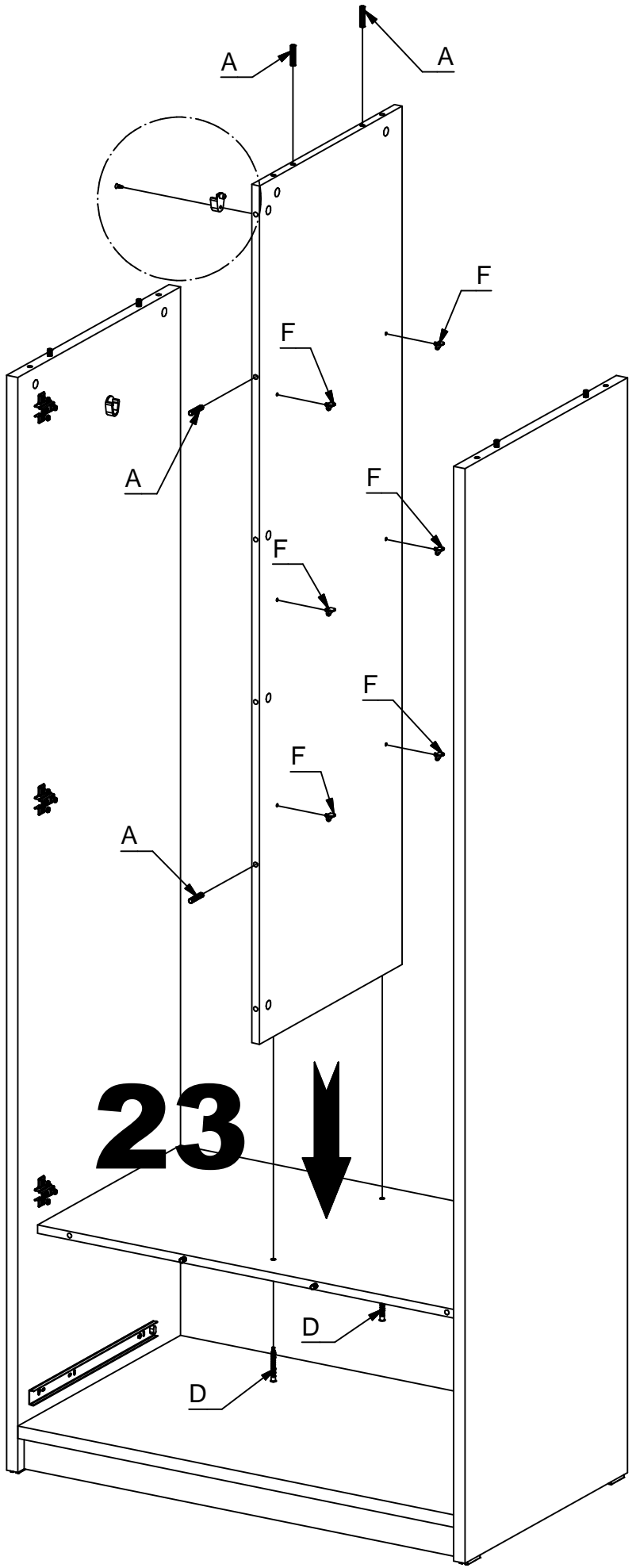
Fx6

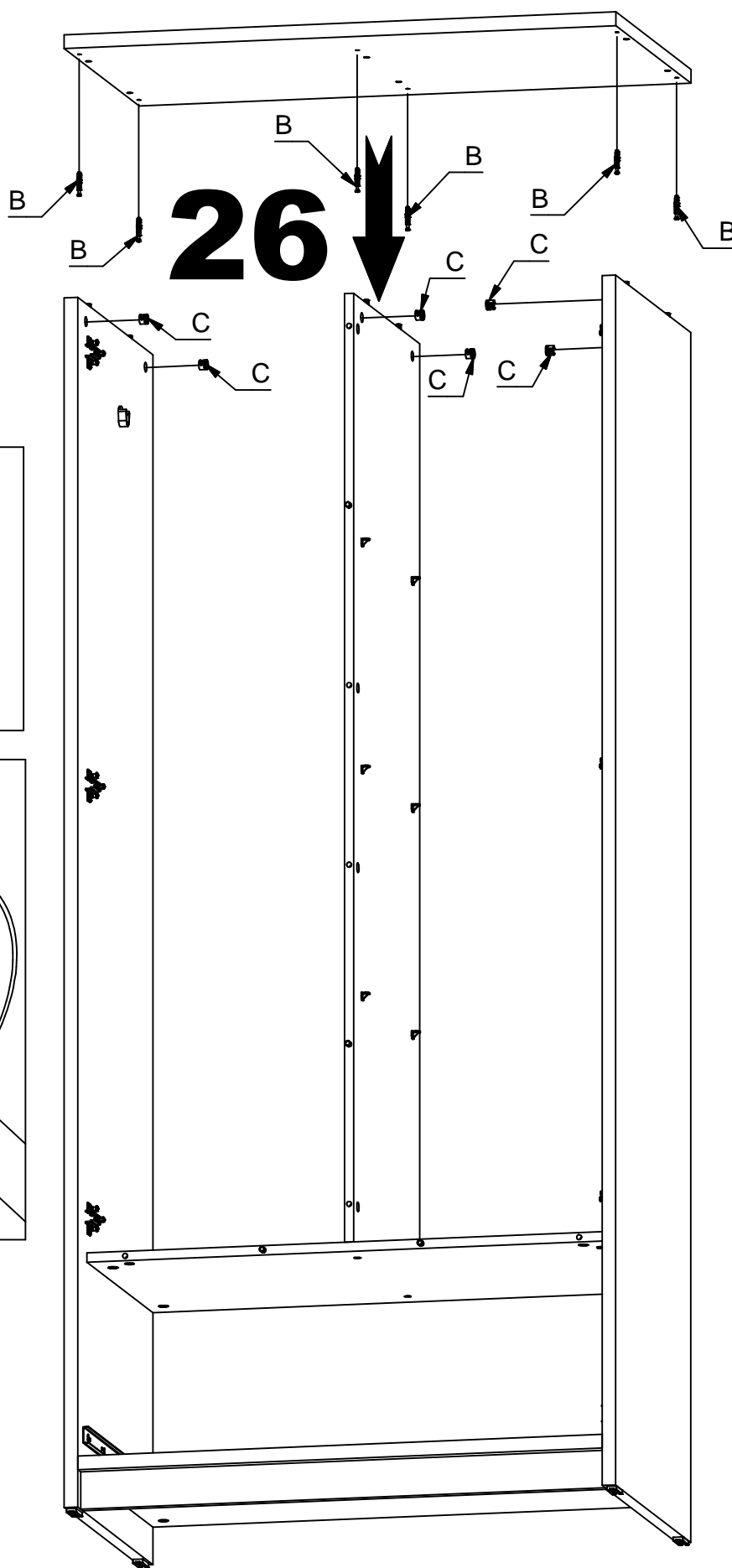
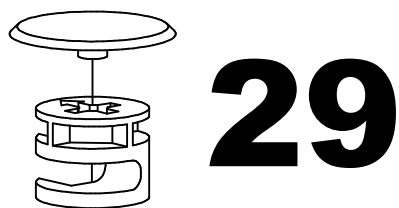
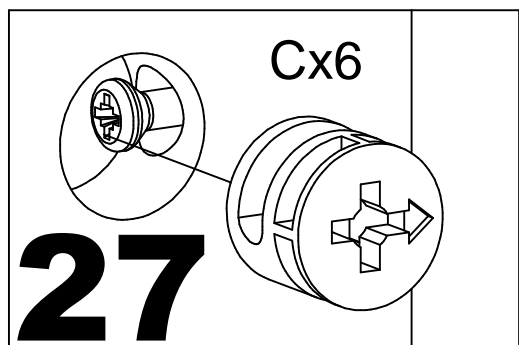
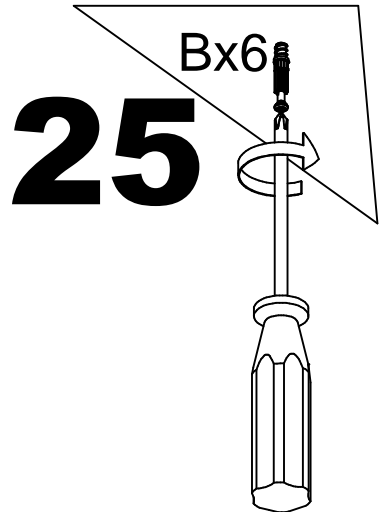
22

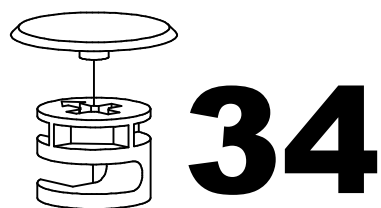
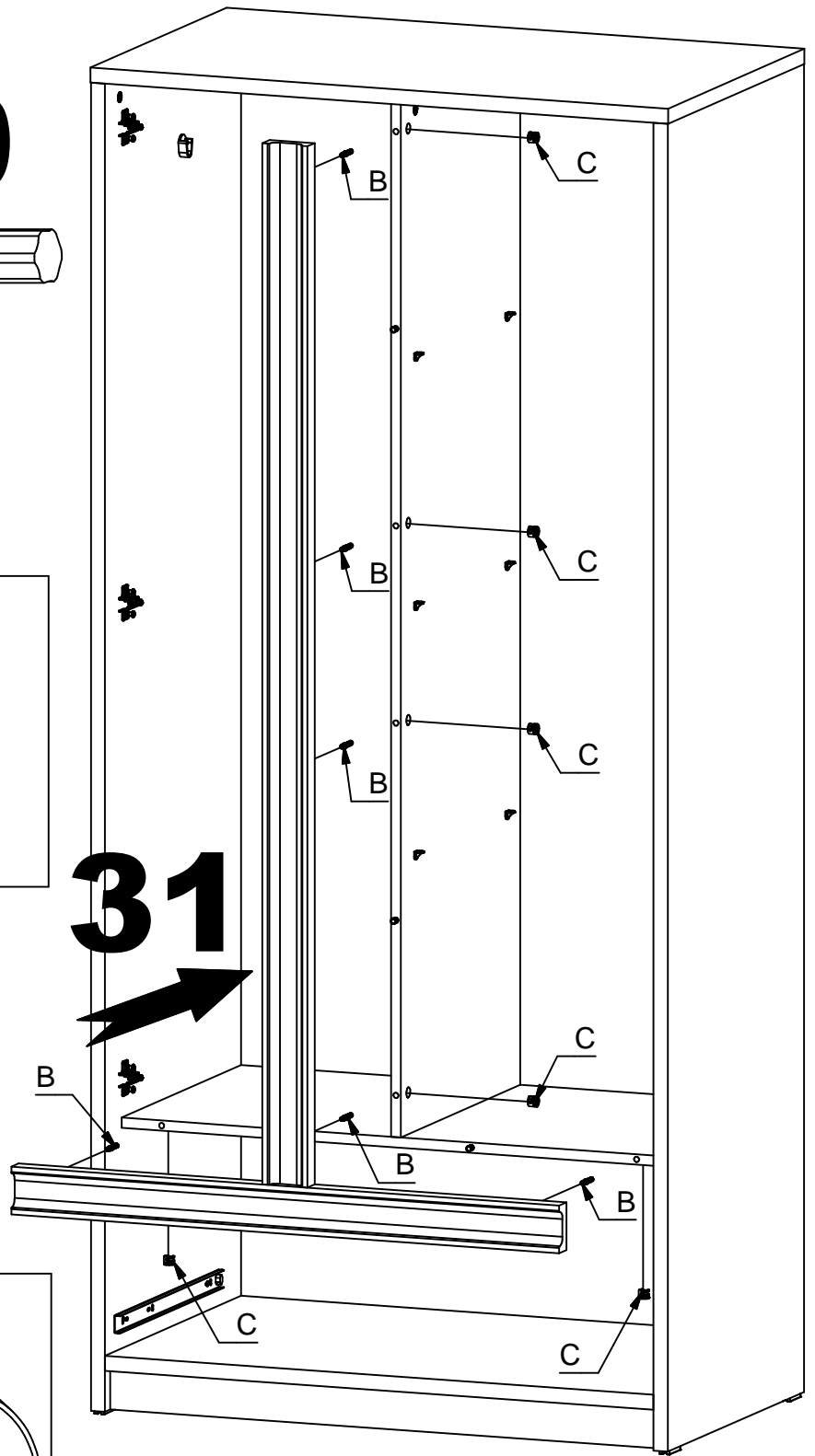
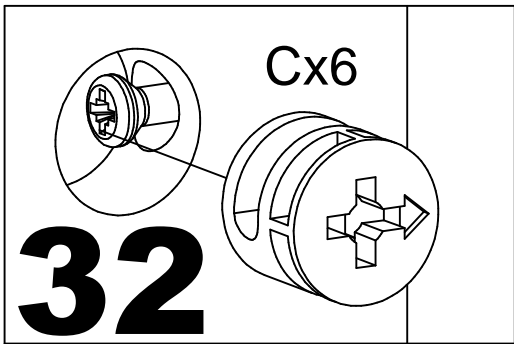
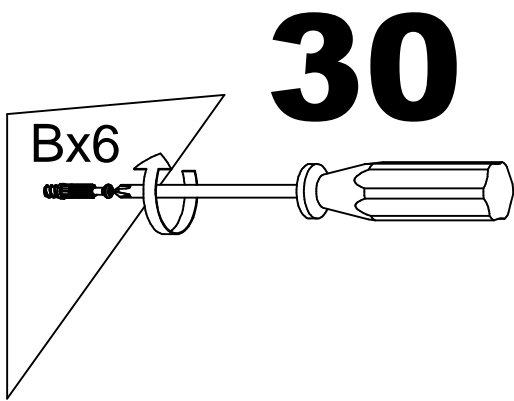


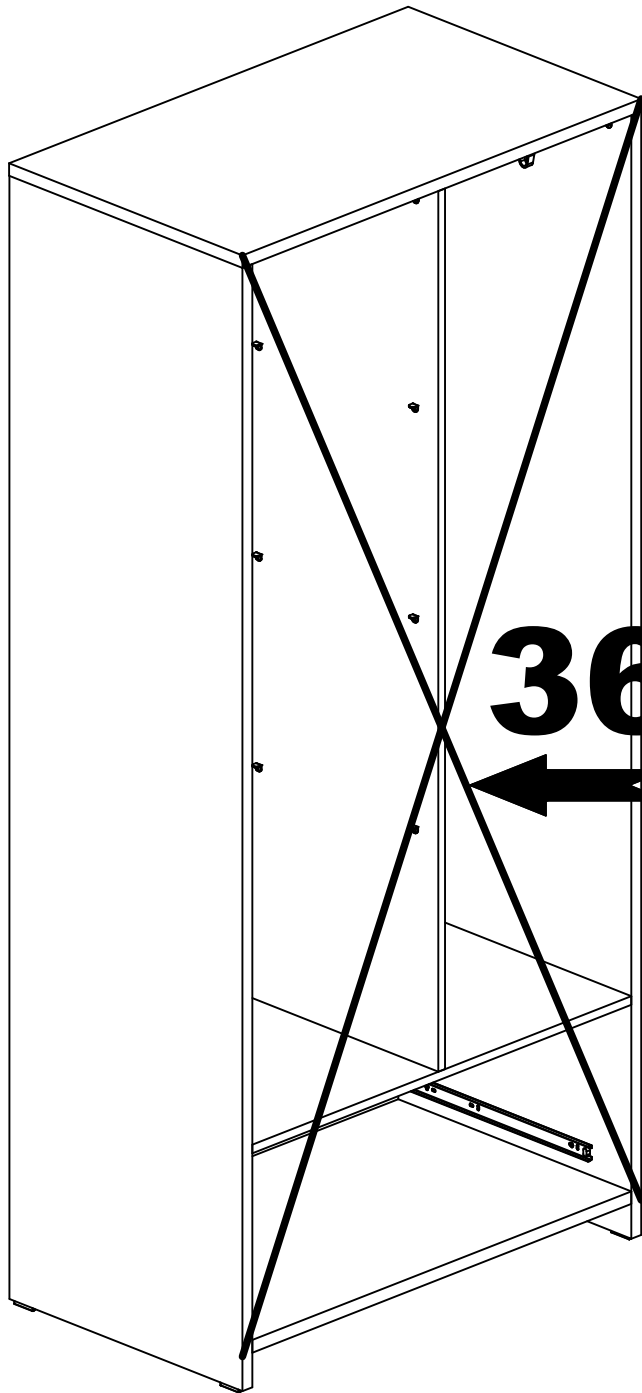
Dx2

24

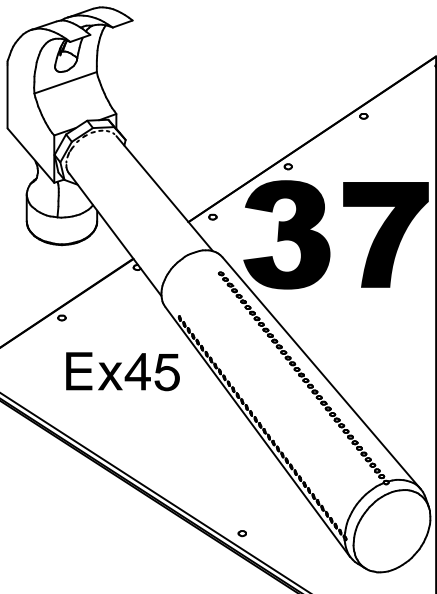
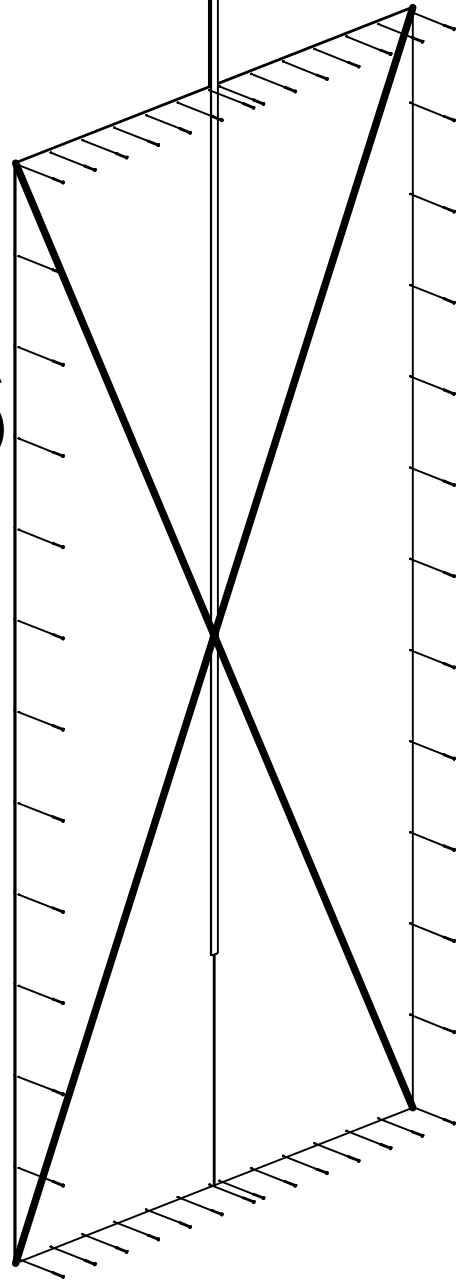








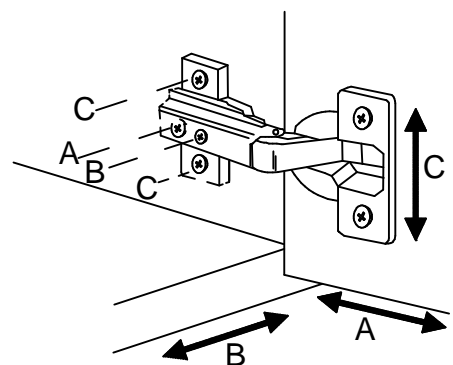
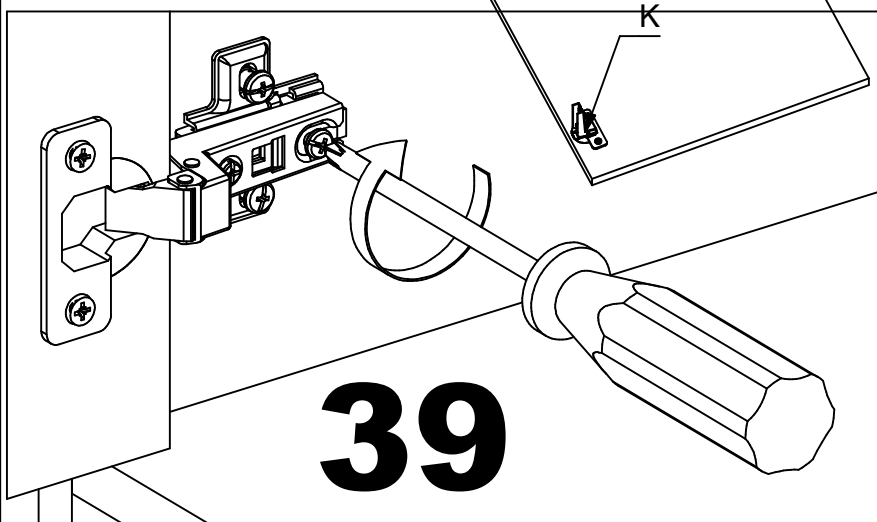
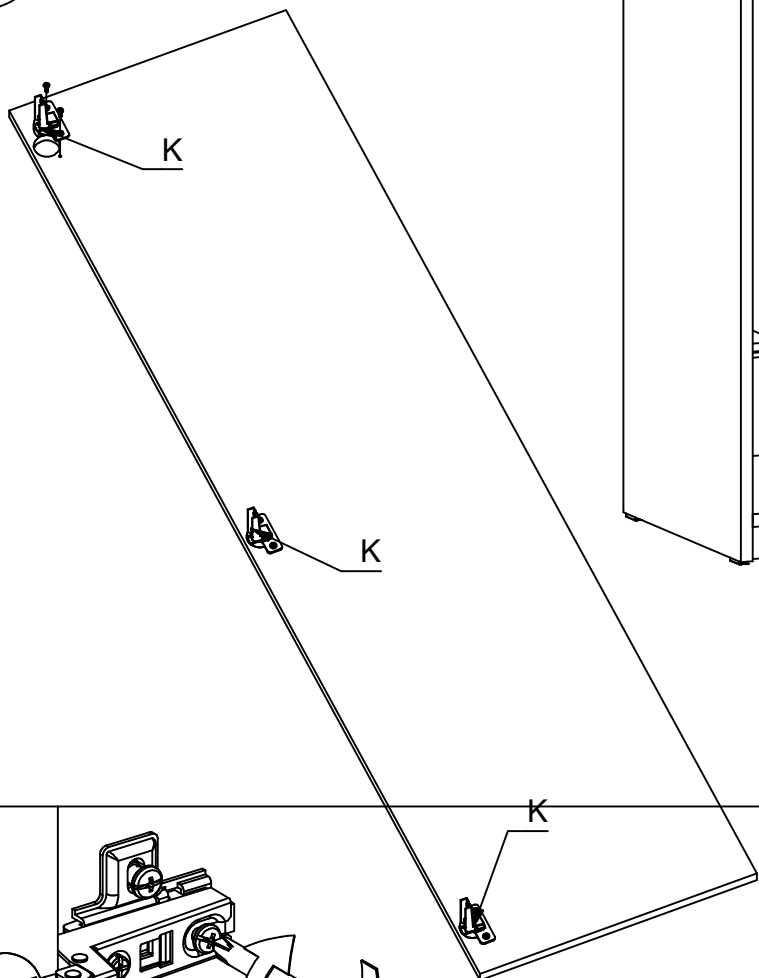
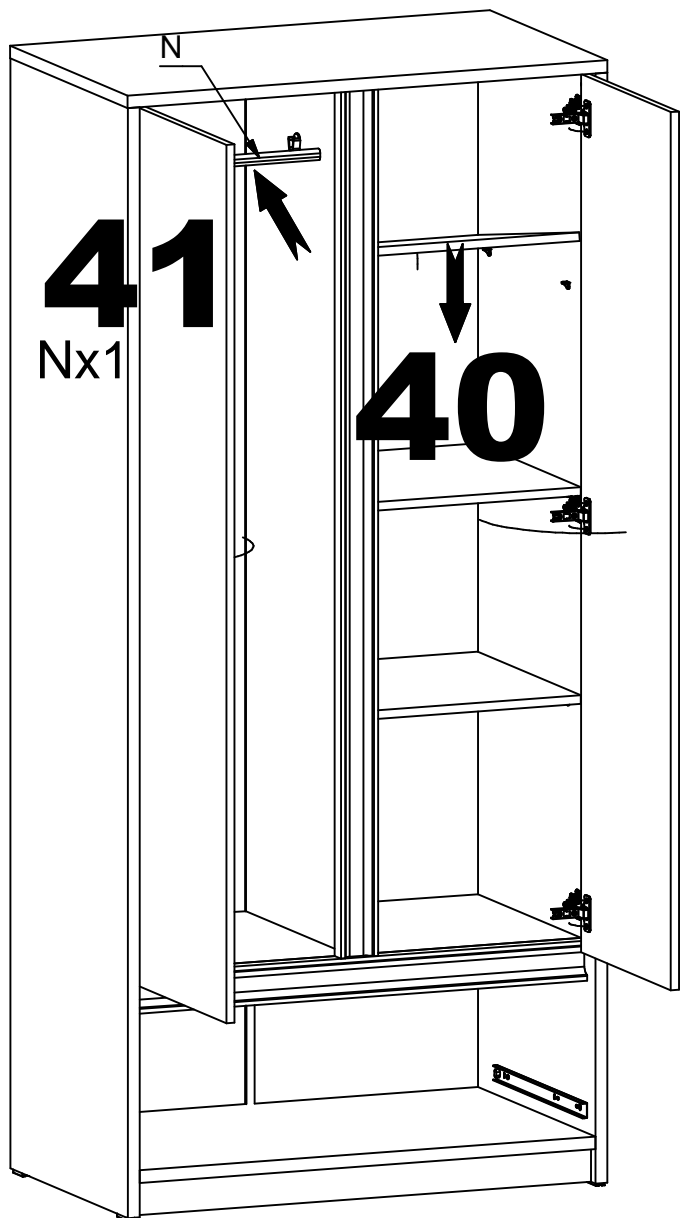
35

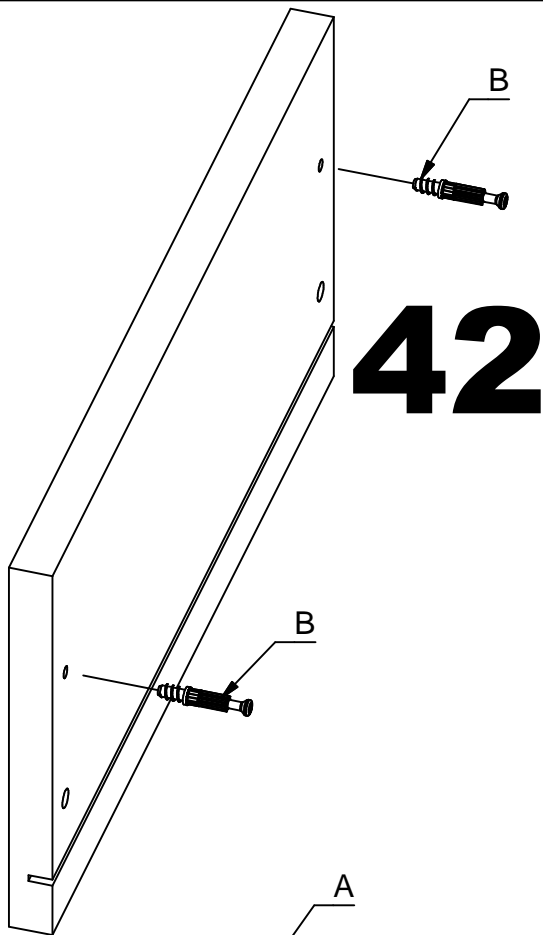


38

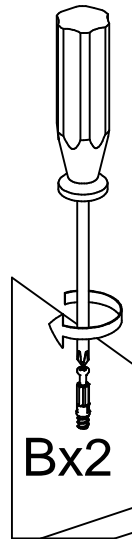
Jx4

Kx2

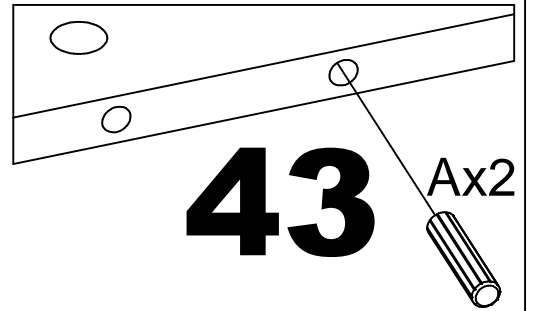




42

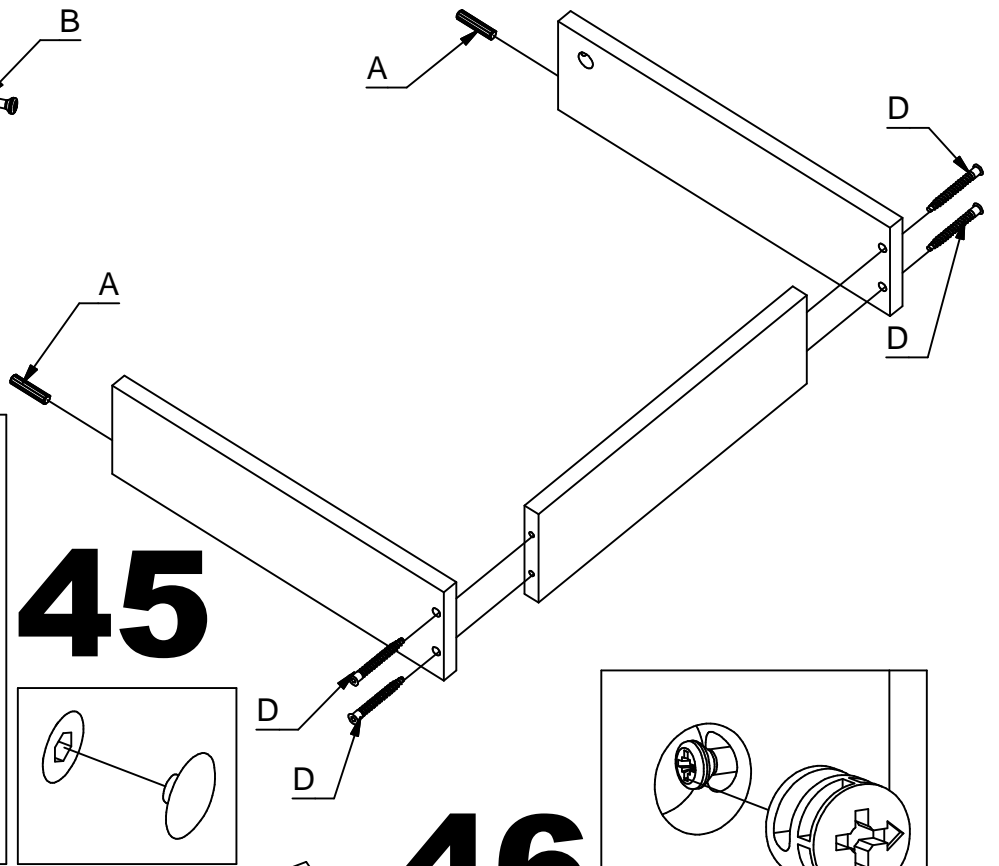


Bx2

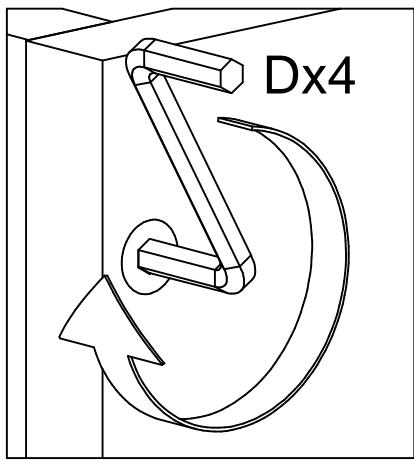


43

Ax2

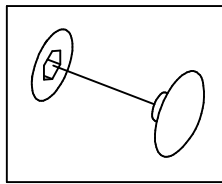


45



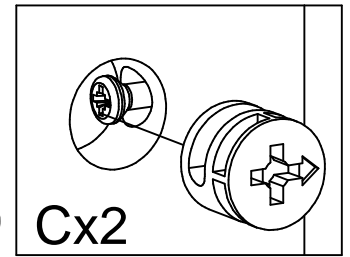
44

Dx4

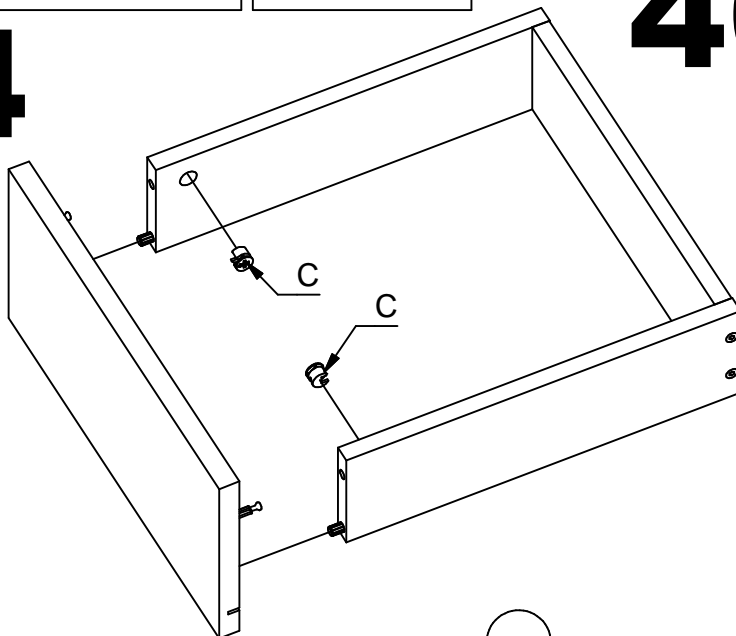


D

46



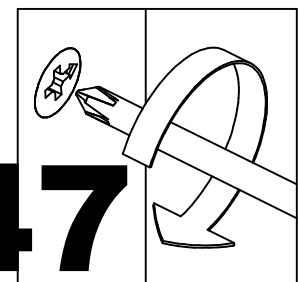
Cx2



47

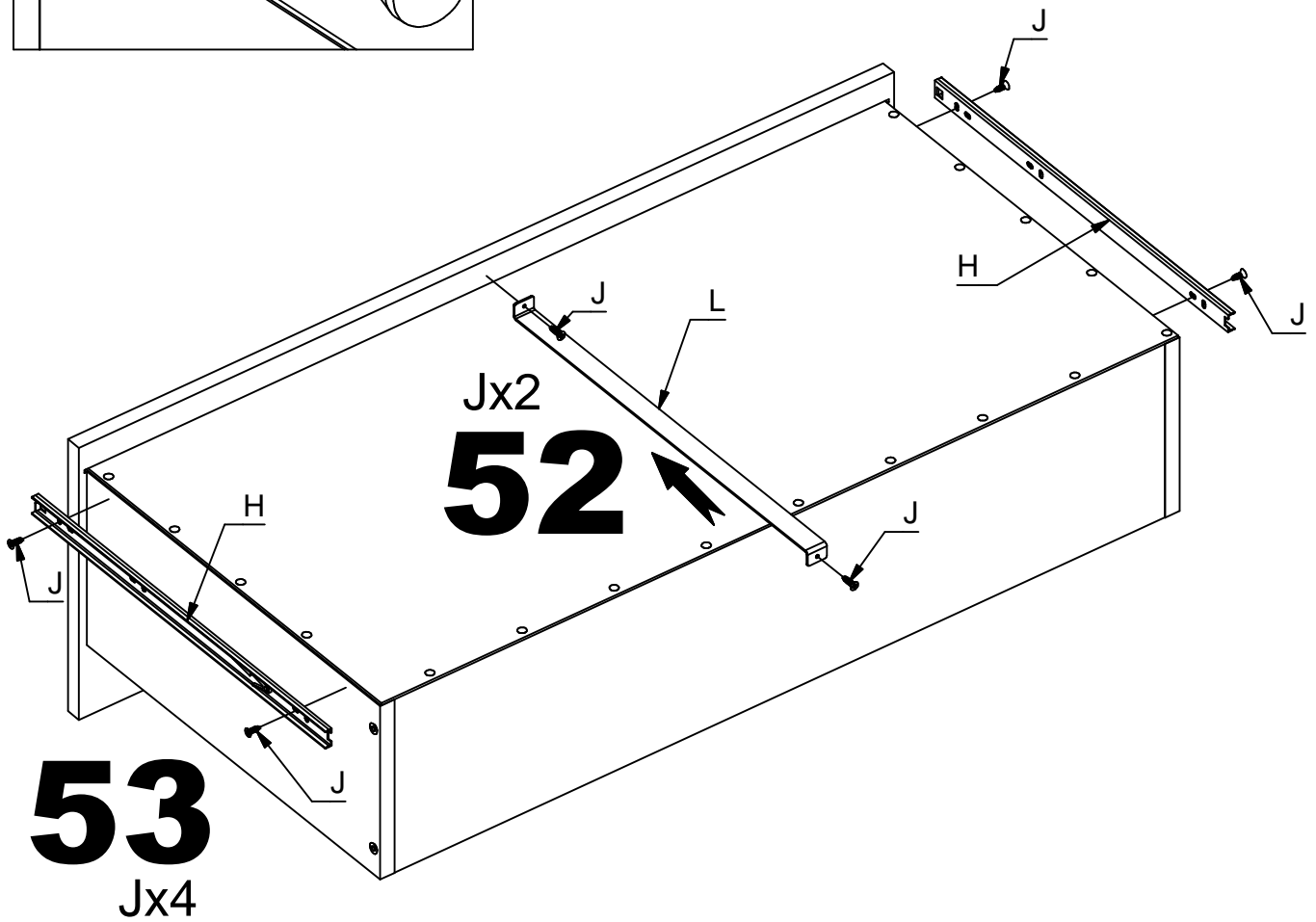
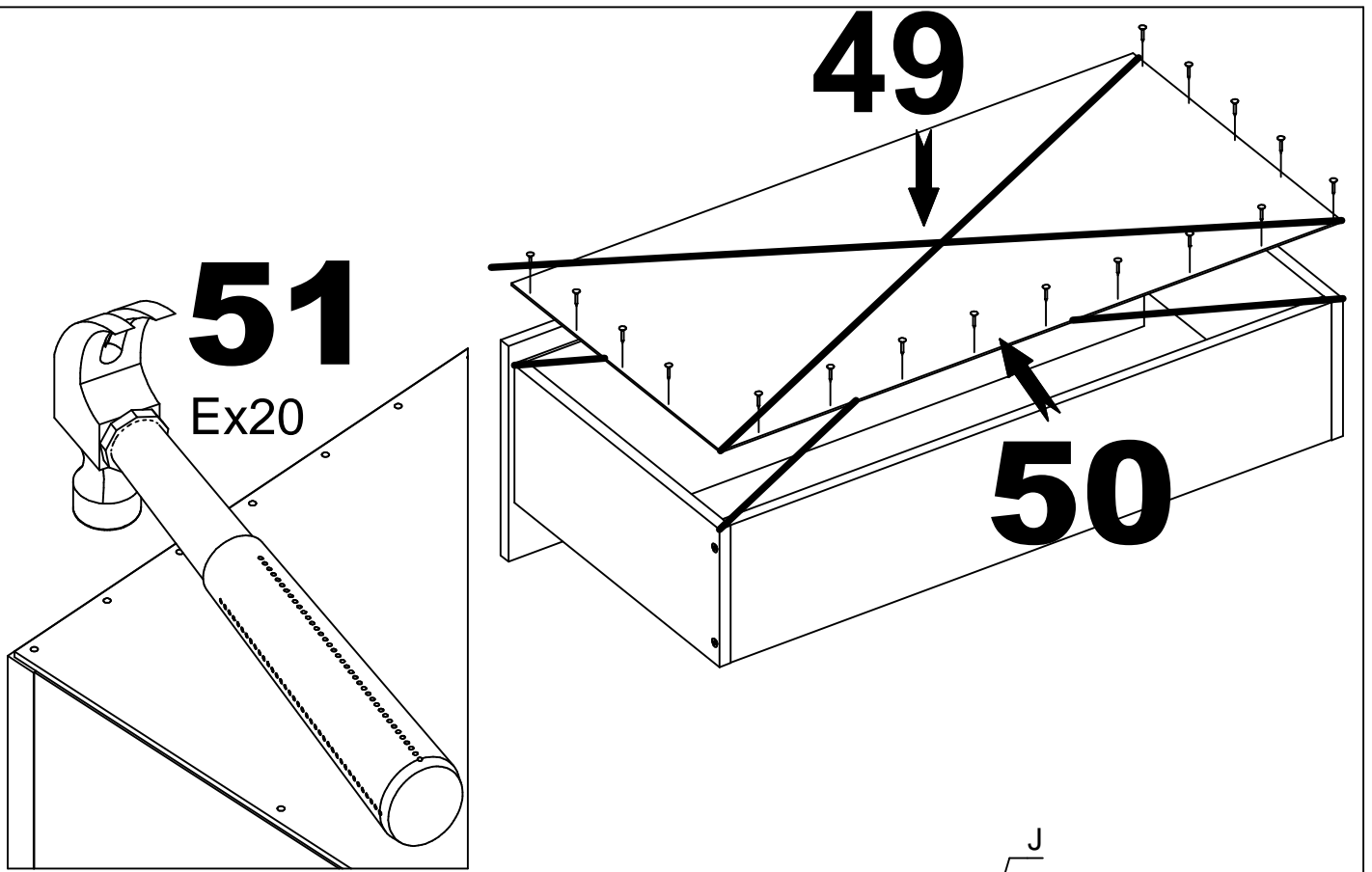
C

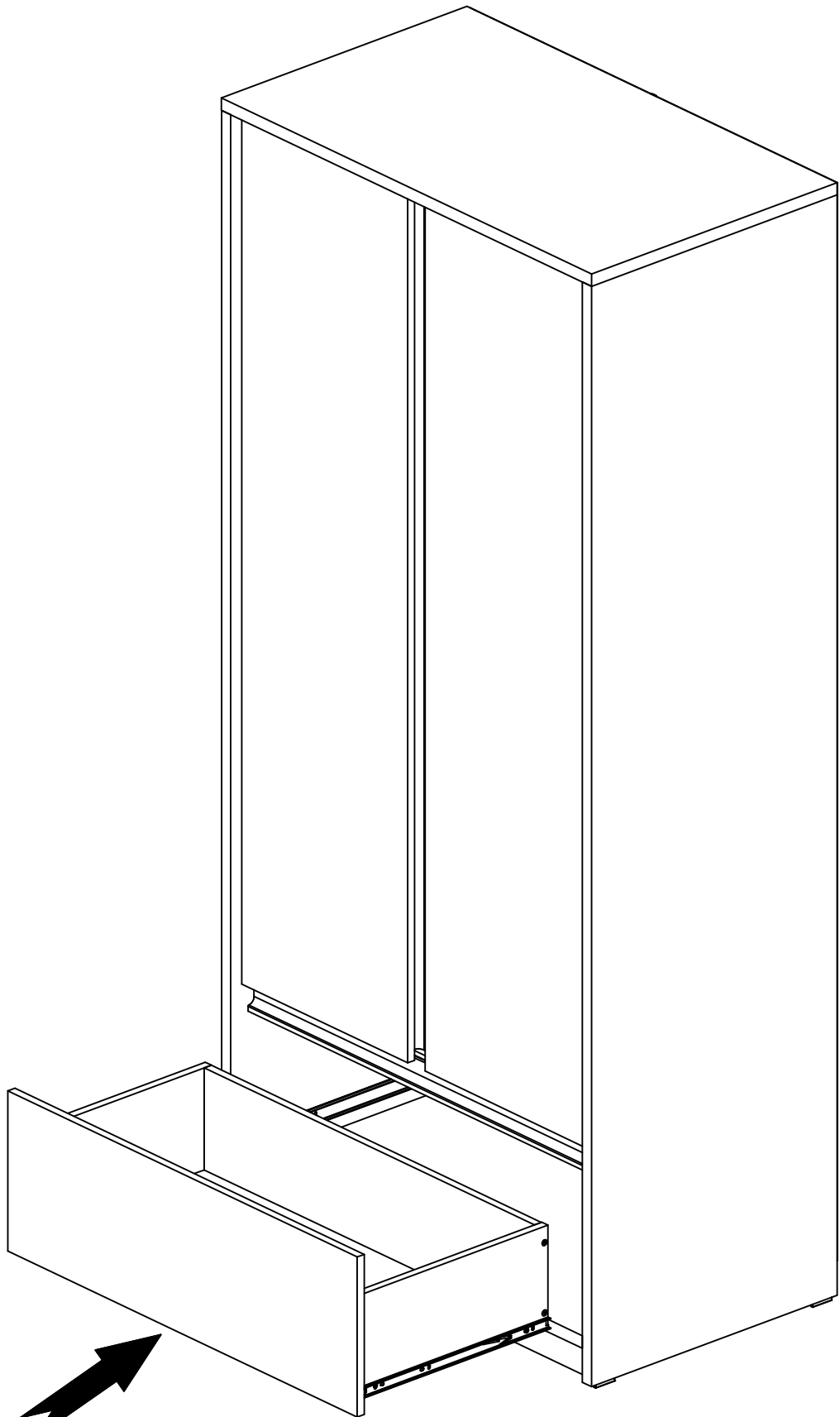
C



48







54

