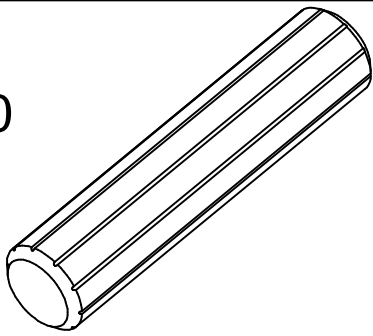
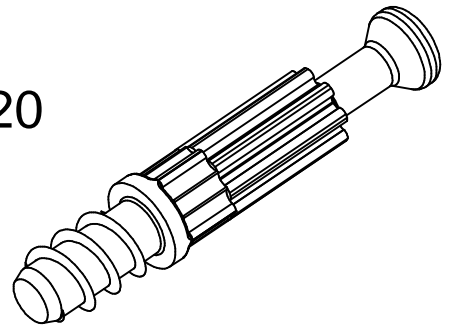


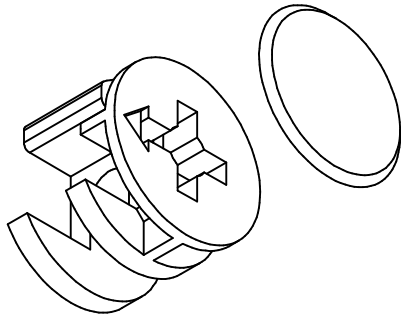
A x 20
(8x36)



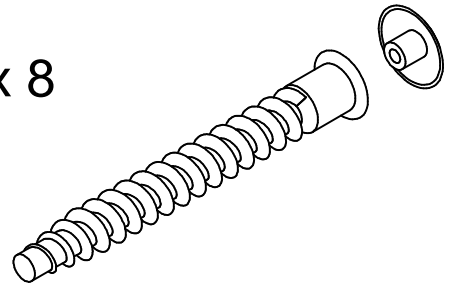
B x 20



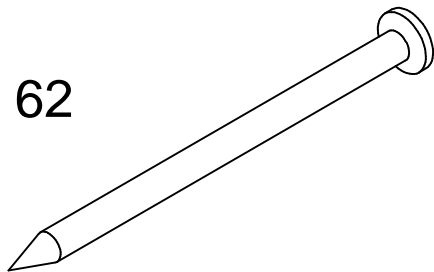
C x 20
(15x12)



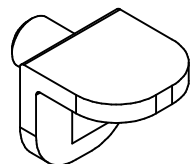
D x 8



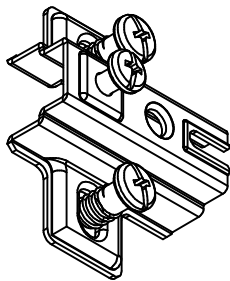
E x 62



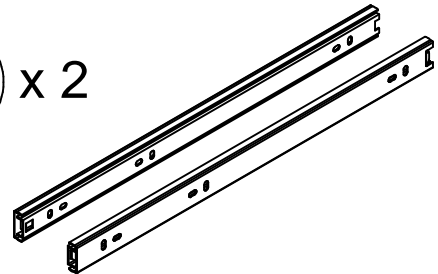
F x 8



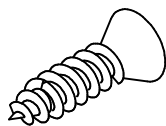
G x 2



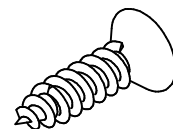
H x 2



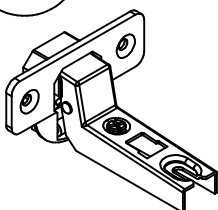
I x 16
(3,5x13)



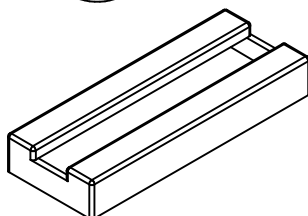
J x 4
(3,5x16)



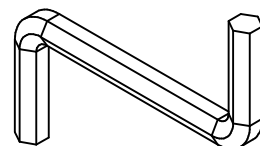
K x 2

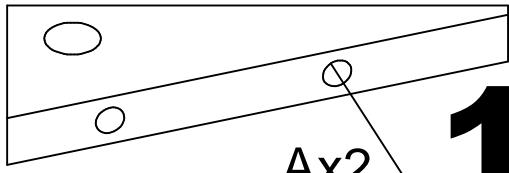


L x 4

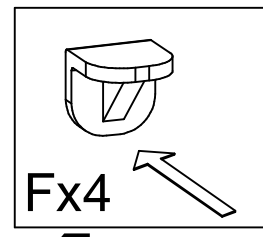
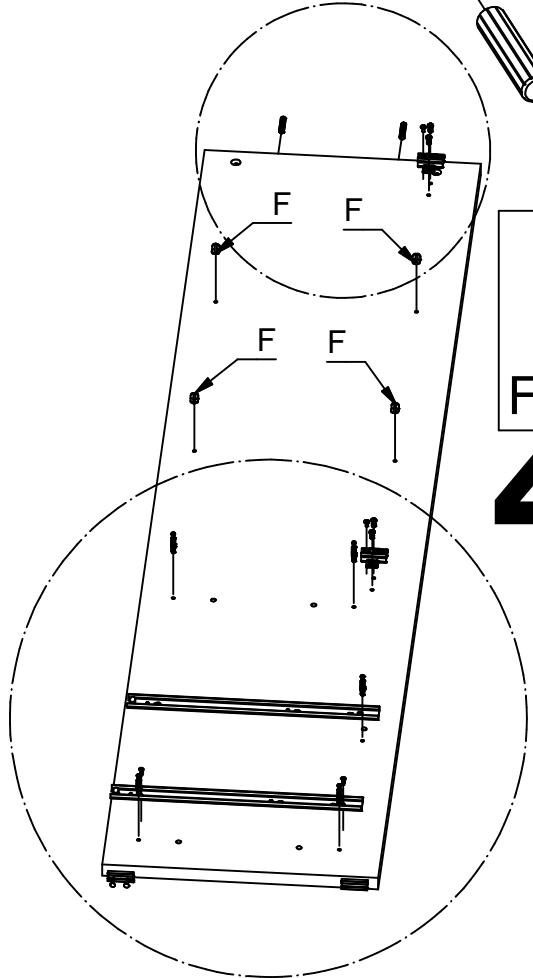
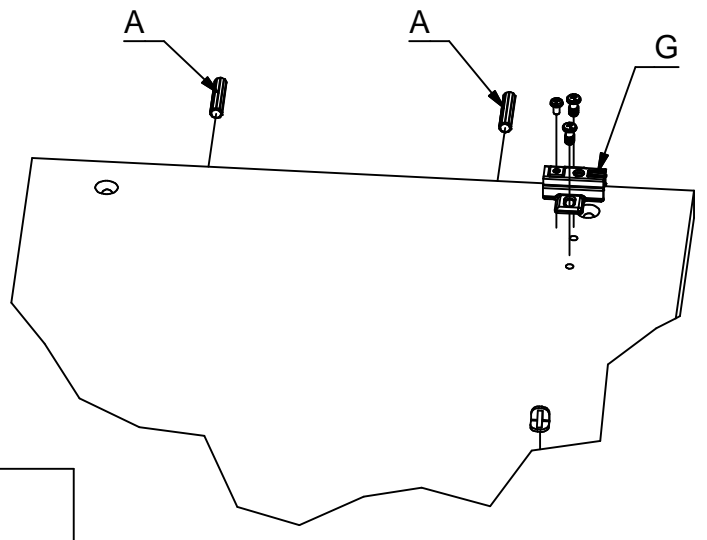


M x 1

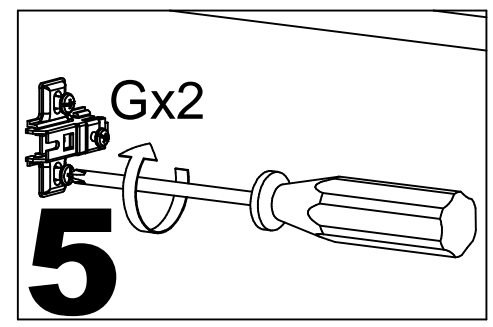




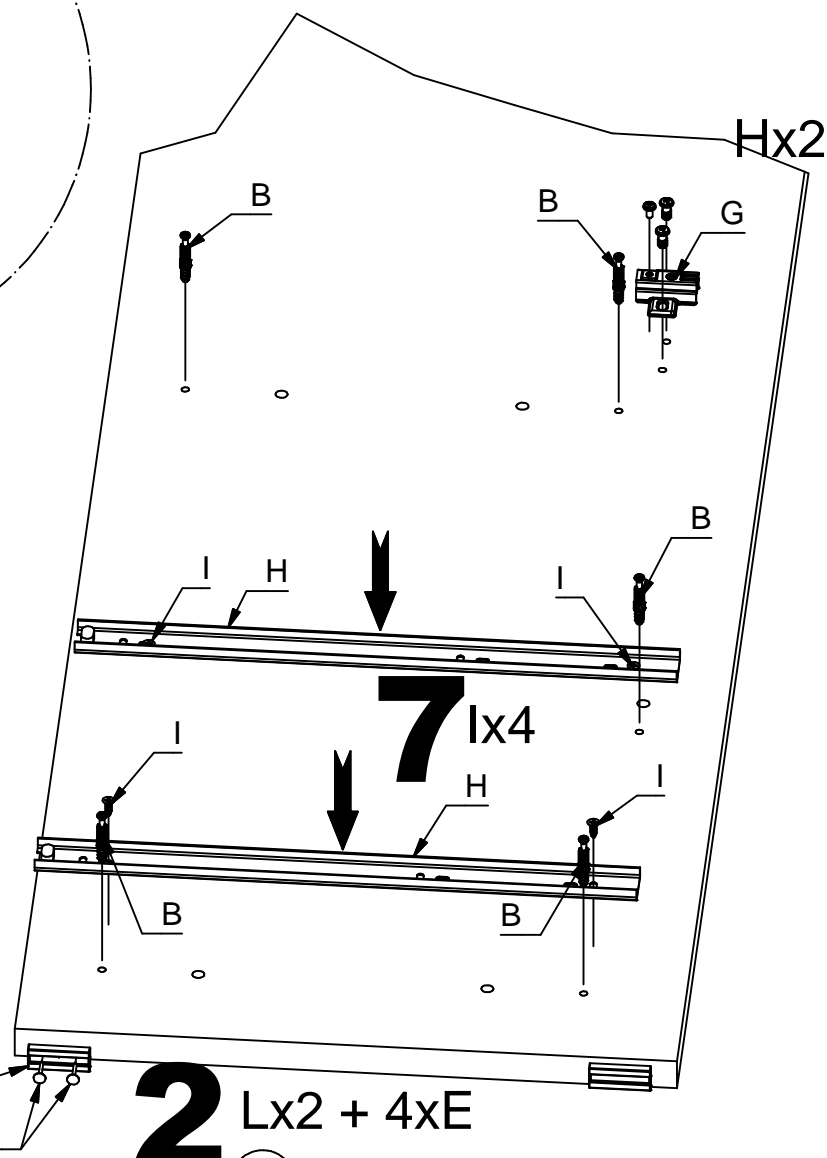
1
Ax2



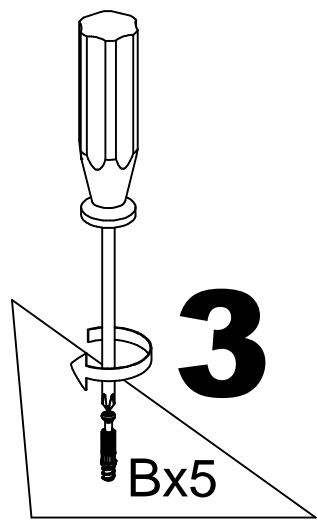
4
Fx4



5
Gx2

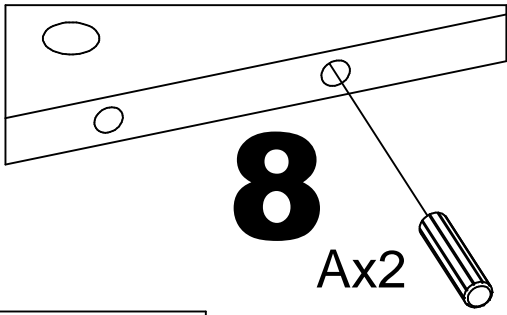


6
Hx2



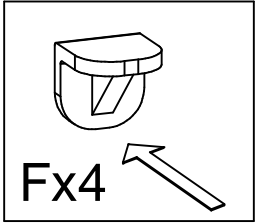
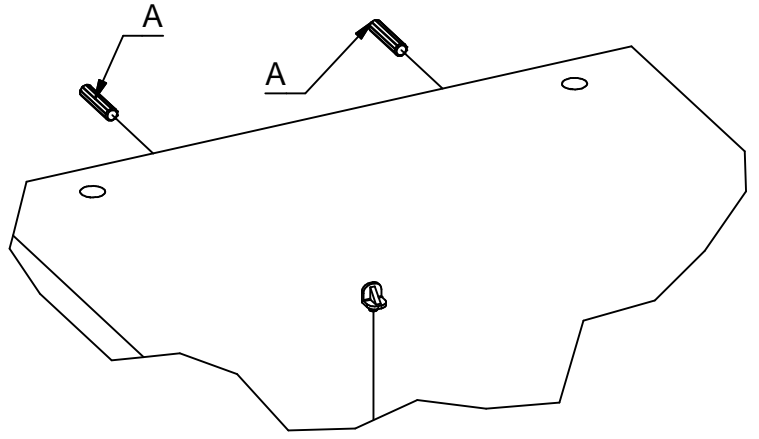
3
Bx5

2 Lx2 + 4xE



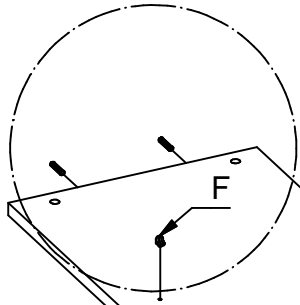
8

Ax2



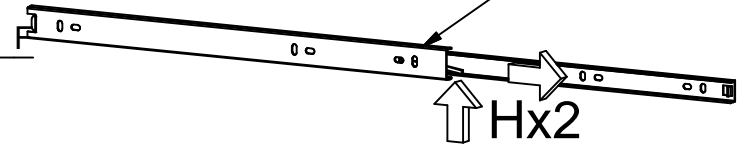
Fx4

13



F

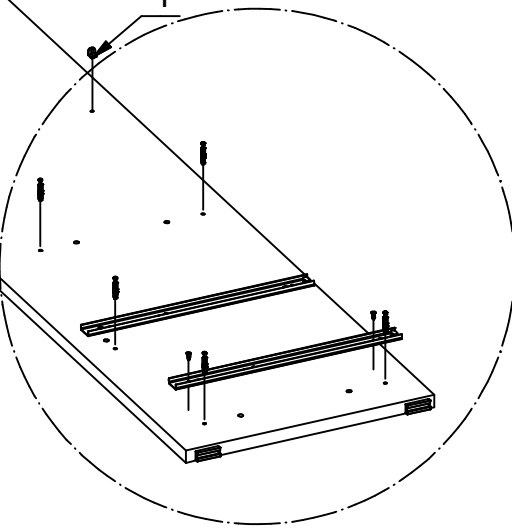
F



H

Hx2

11



F

F

F

F

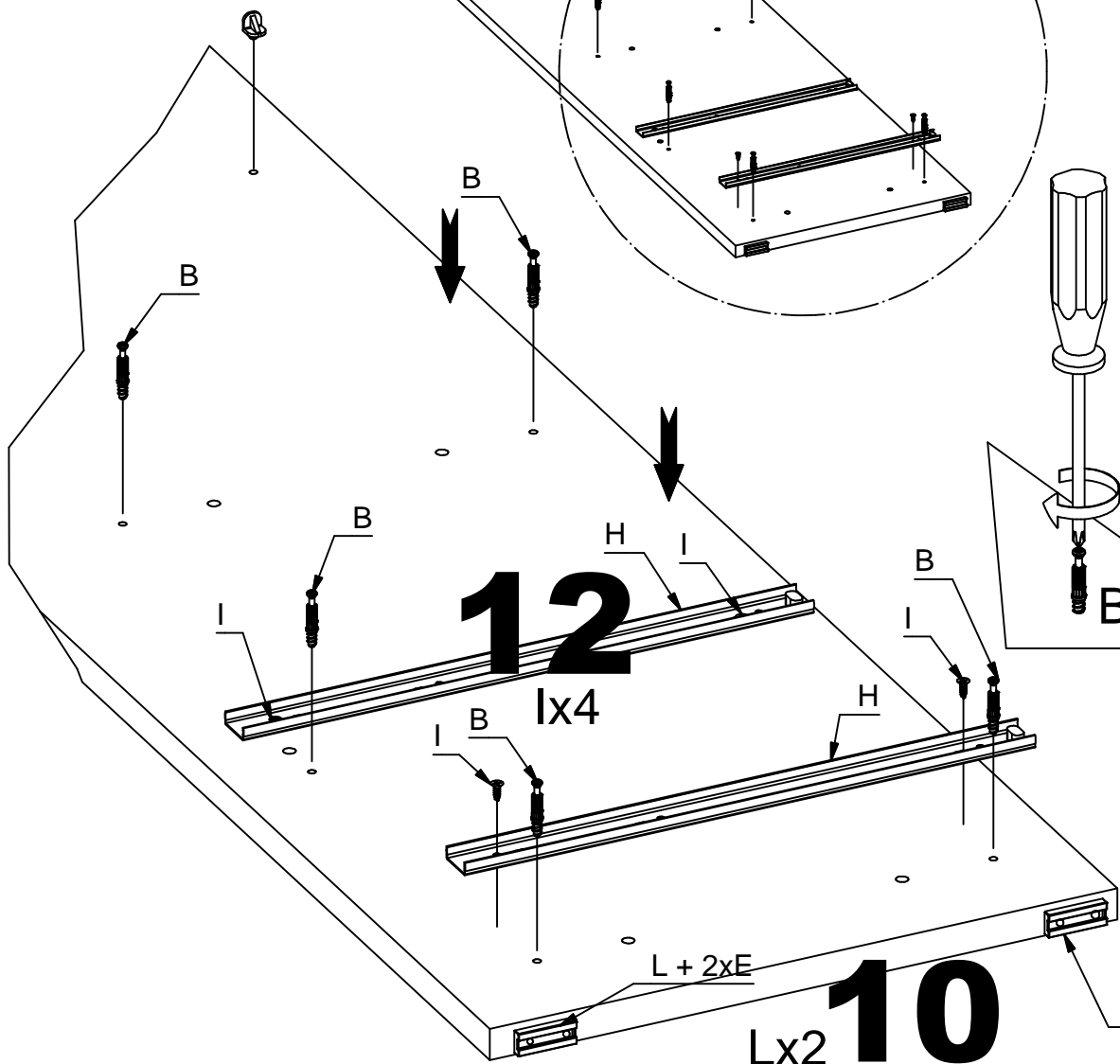
F

F

F

F

F



B

B

H

I

I

B

I

B

H

B

I

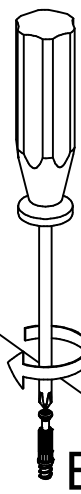
H

L + 2xE

Lx2

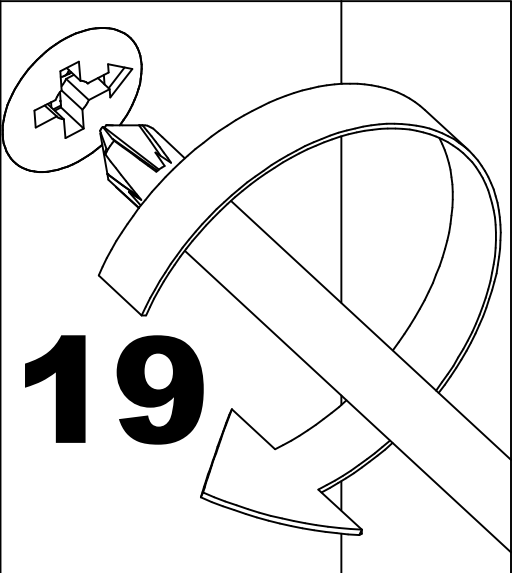
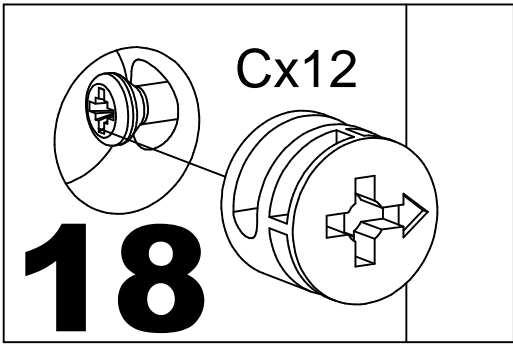
10

L + 2xE

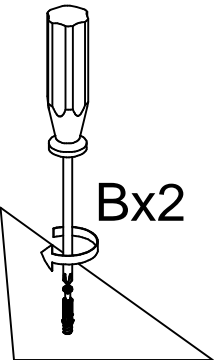
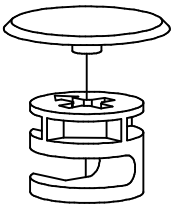


9

Bx5

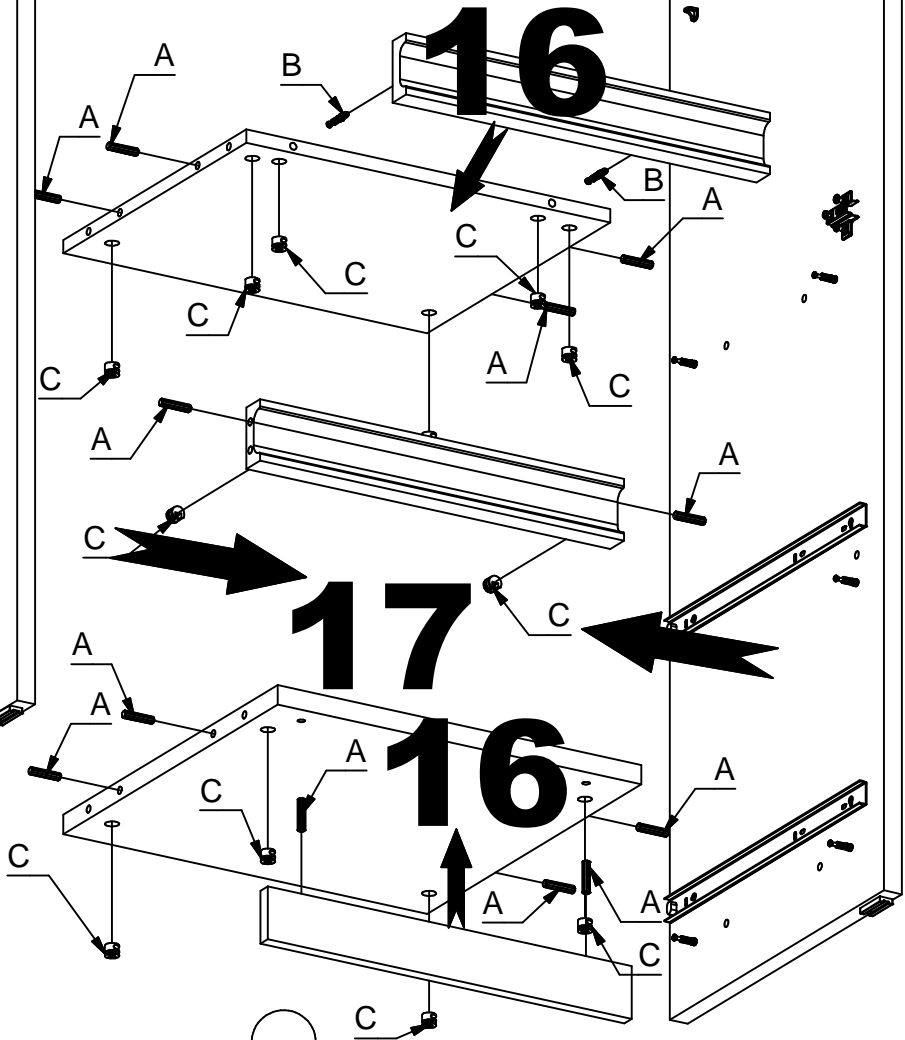
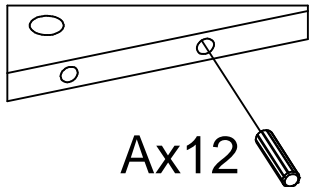


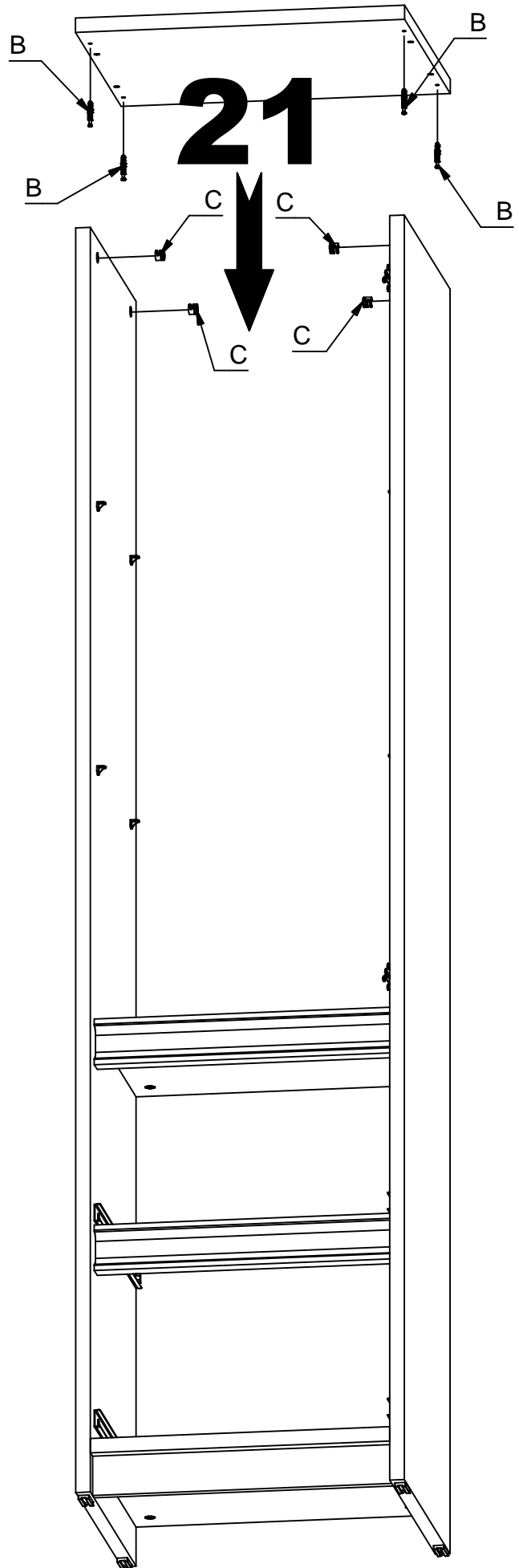
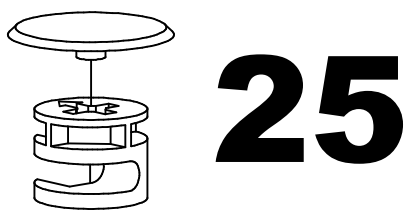
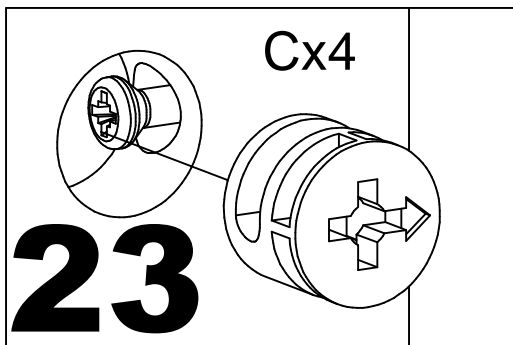
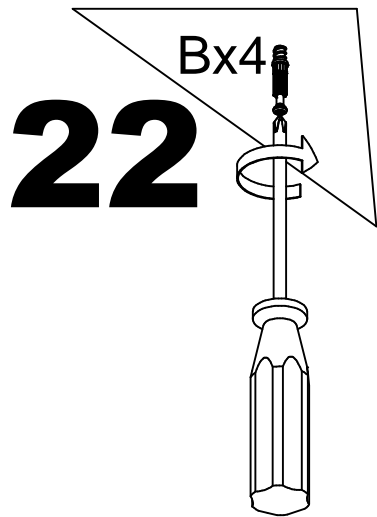
20

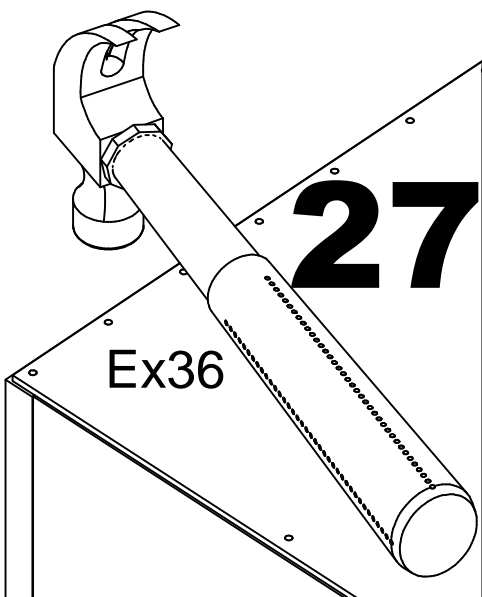
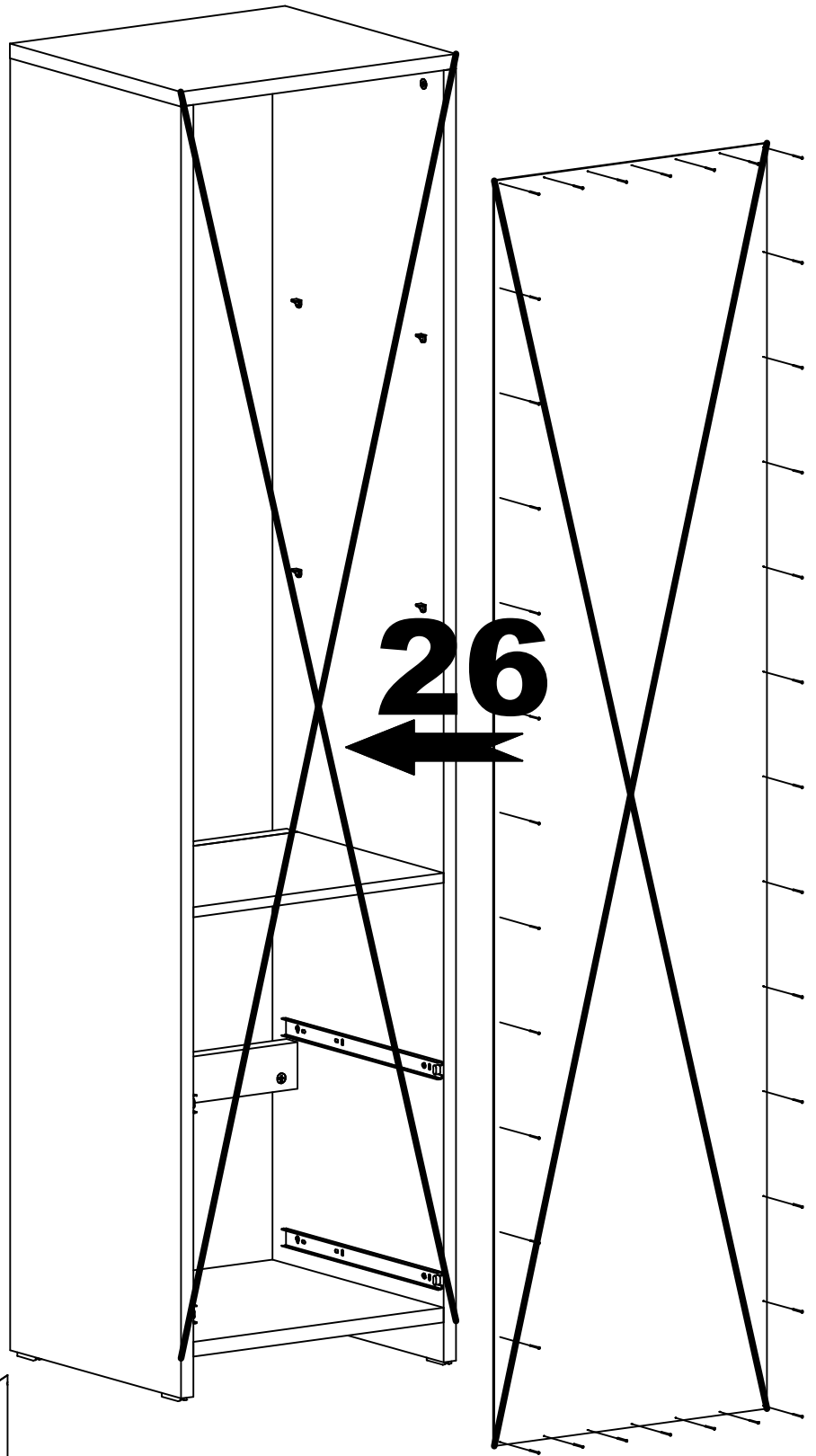


15

14



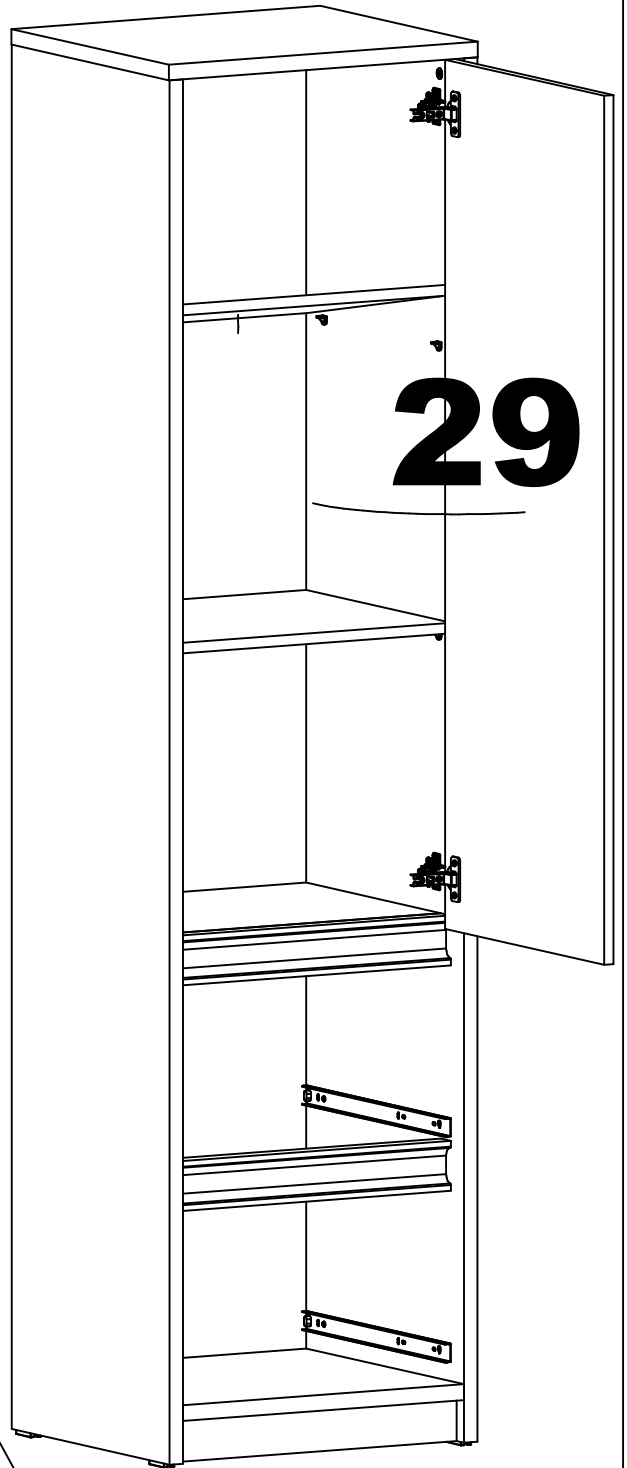




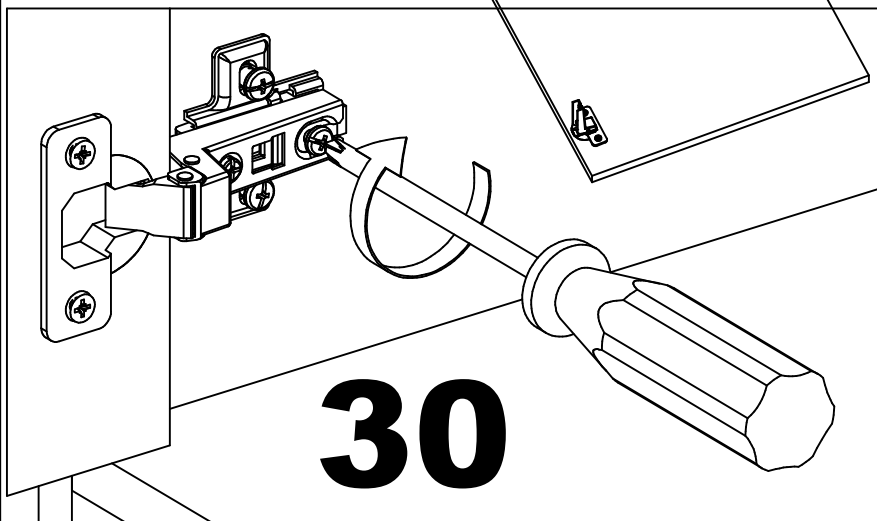
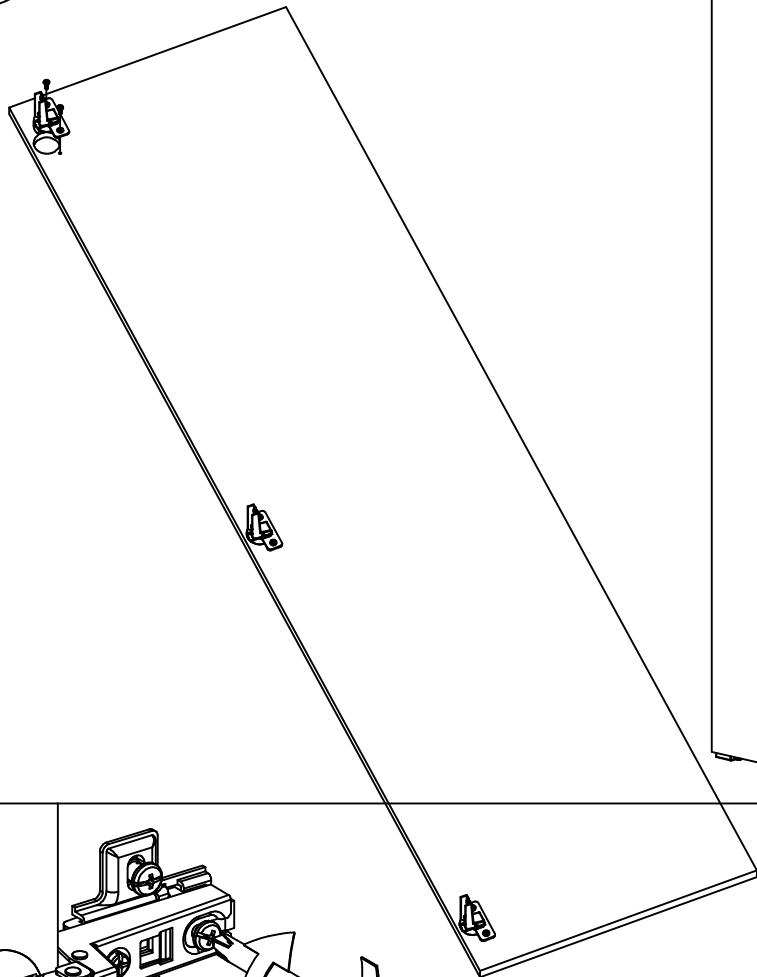
28

Jx4

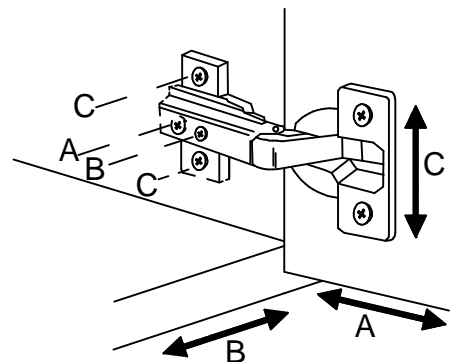
Kx2

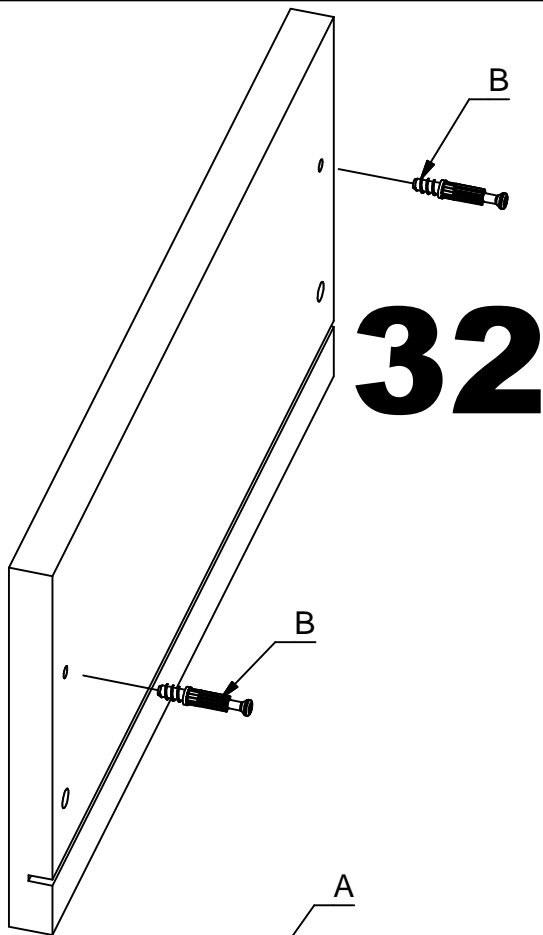


29

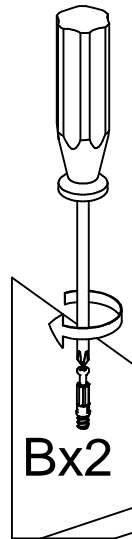


30

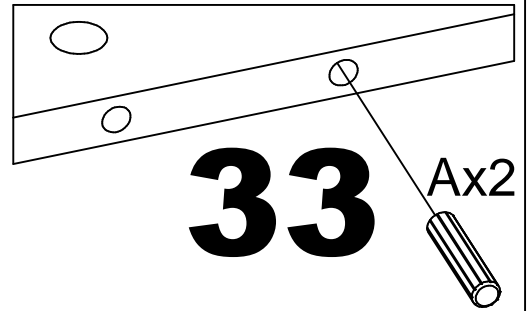




32

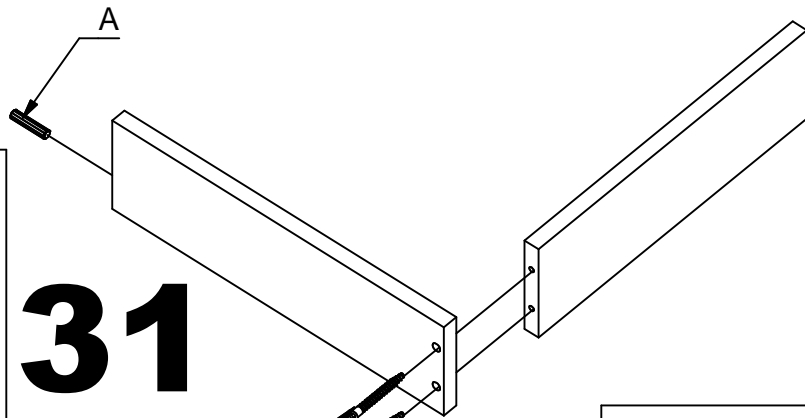
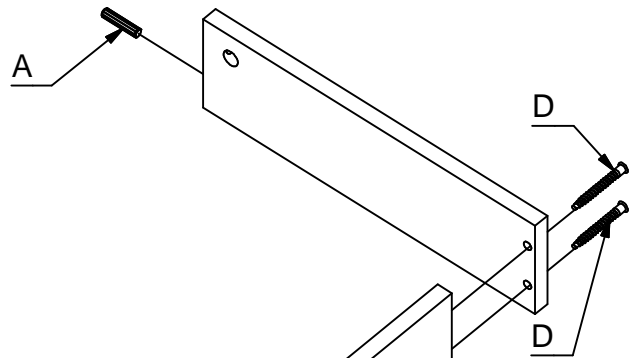


Bx2

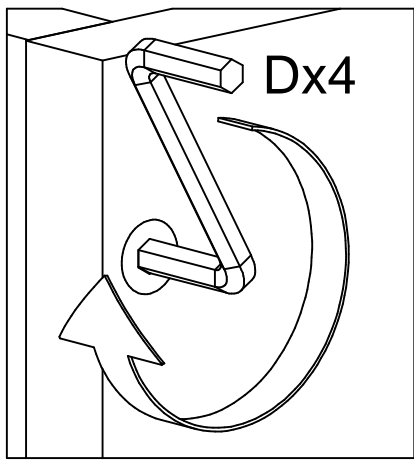


33

Ax2

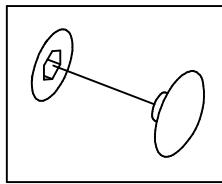


31



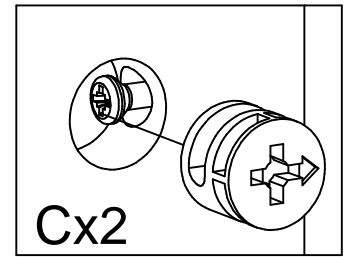
34

Dx4

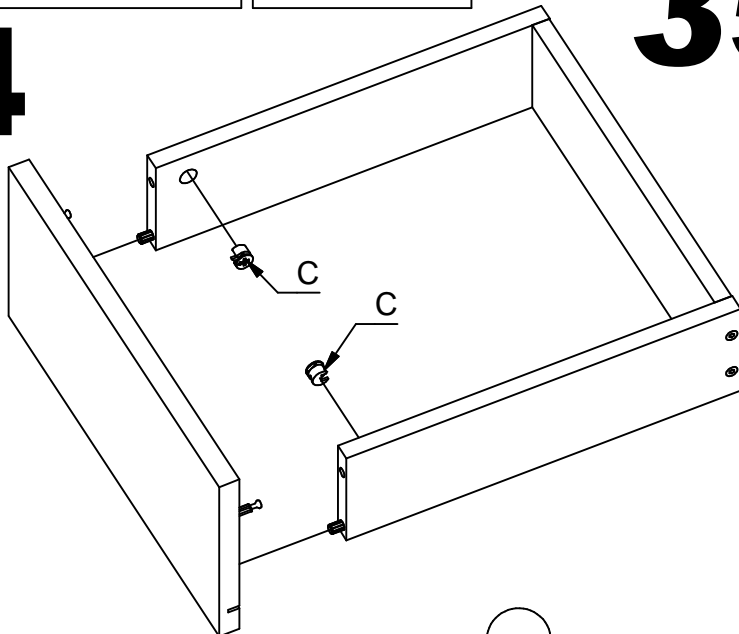


D

35



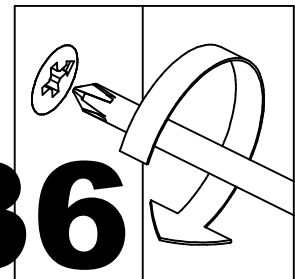
Cx2



36

C

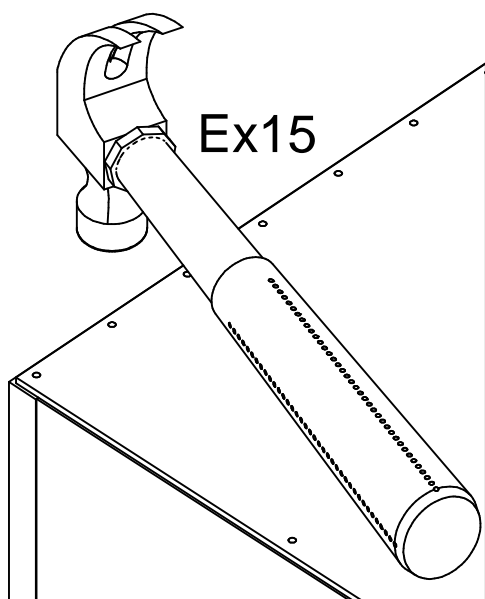
C



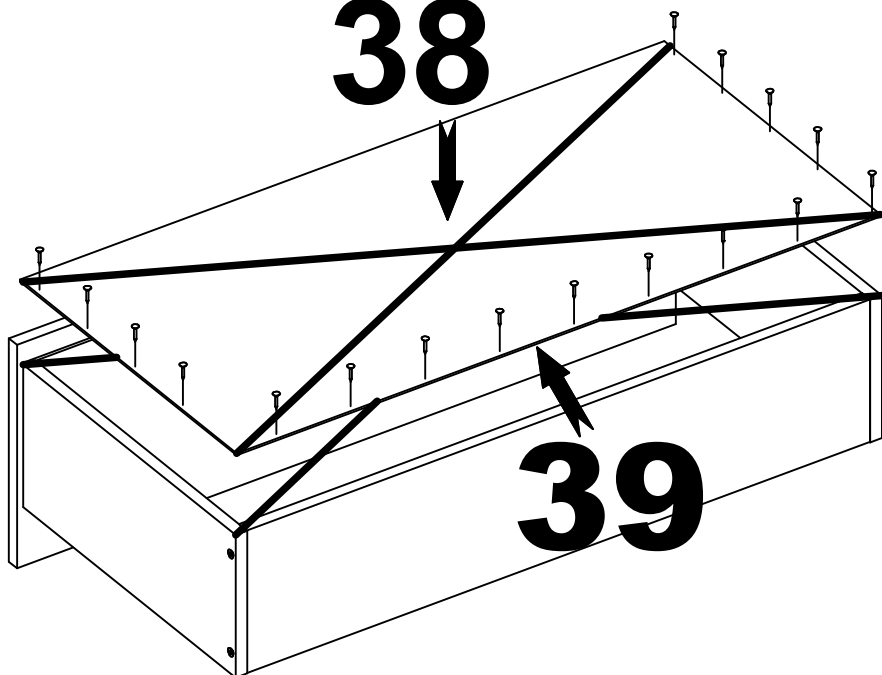
37



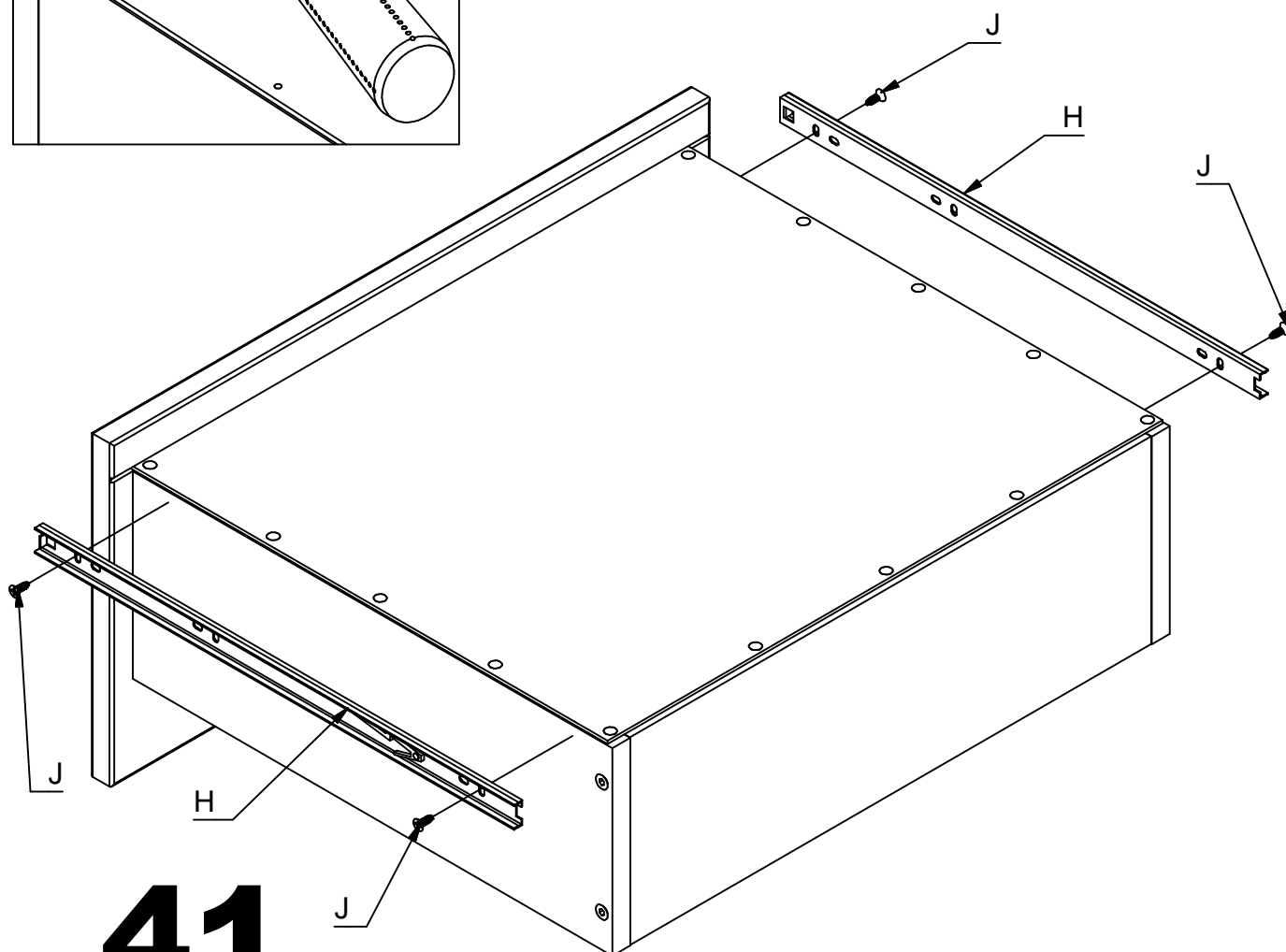
40



38



39



41



42

