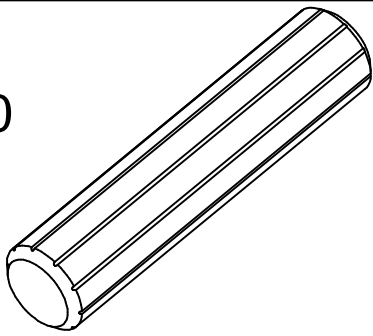
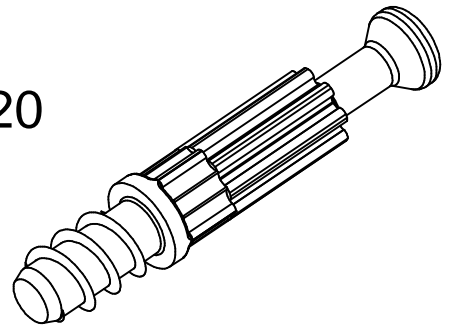


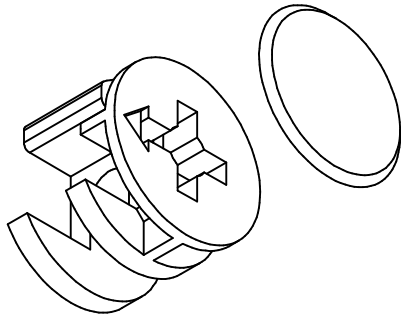
A x 20
(8x36)



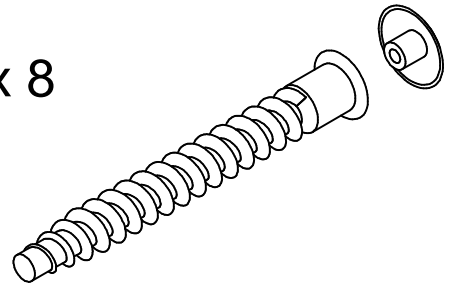
B x 20



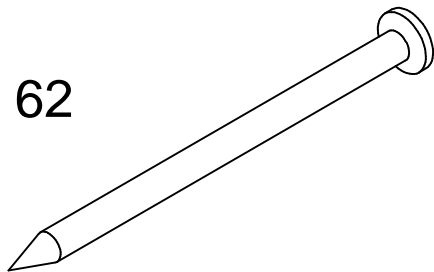
C x 20
(15x12)



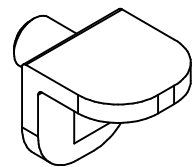
D x 8



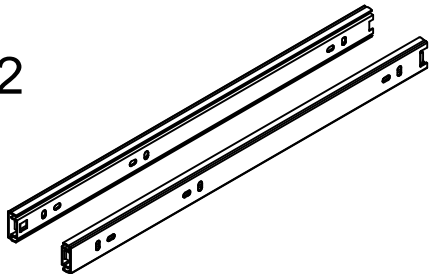
E x 62



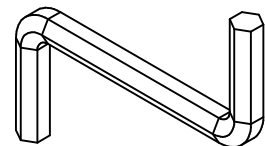
F x 8



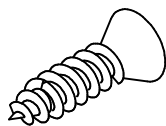
G x 2



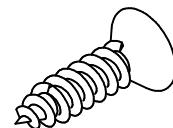
H x 1



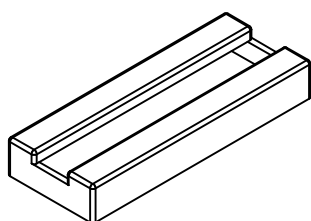
I x 16
(3,5x13)

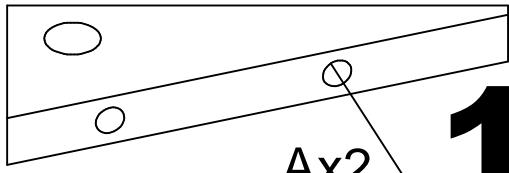


J x 8
(3,5x16)

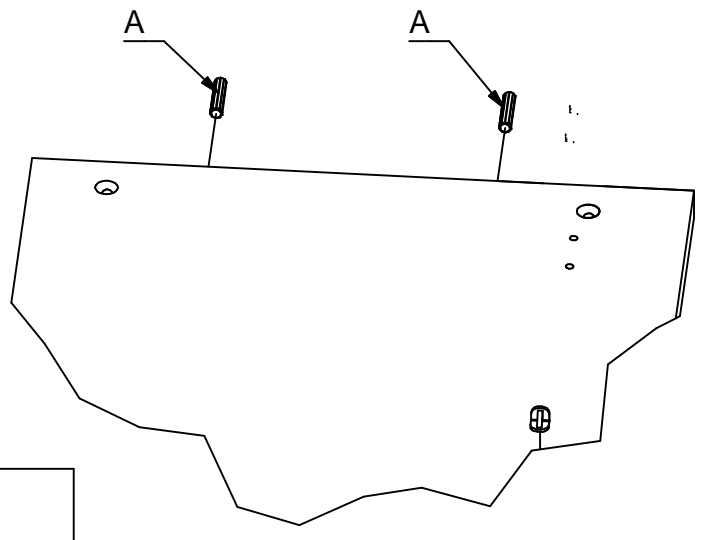


Sz x 4

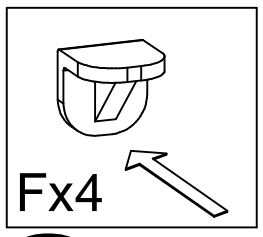
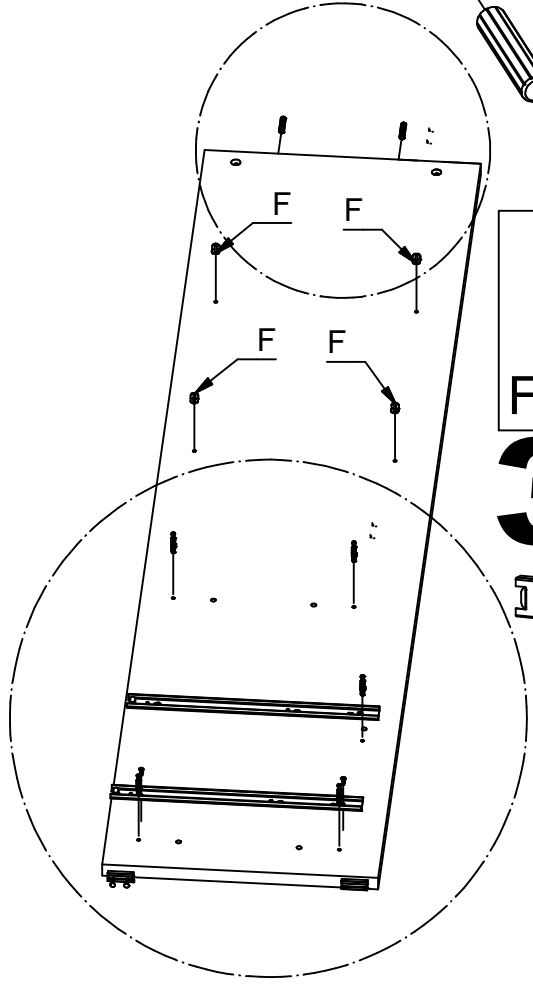




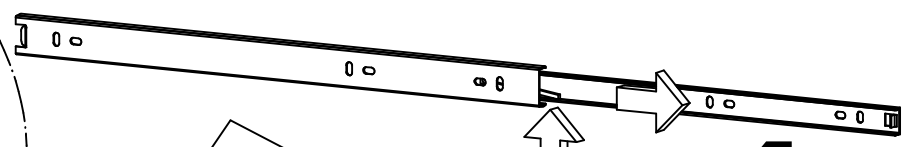
1
Ax2



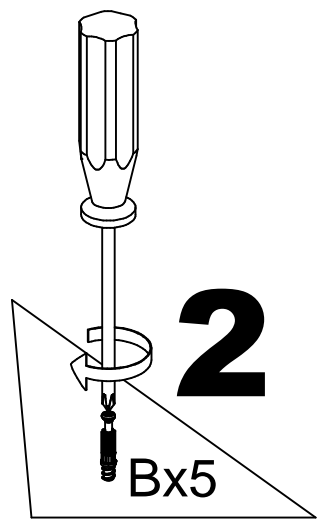
A A



3
Fx4

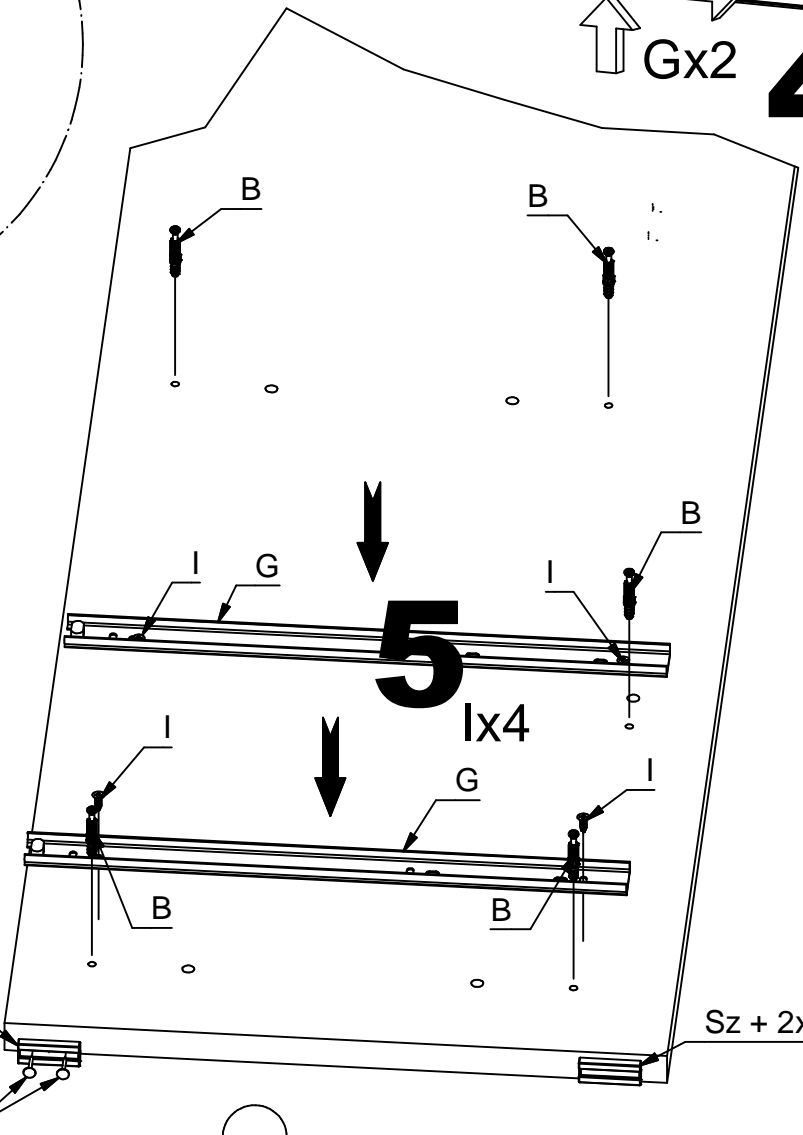


Gx2
4



2

Bx5



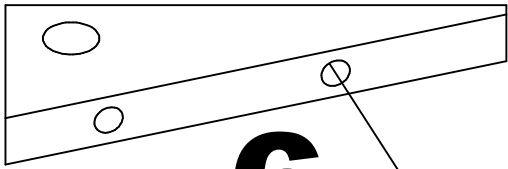
5

Ix4

Sz

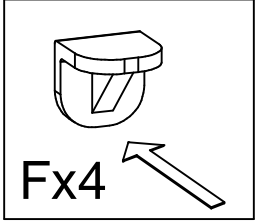
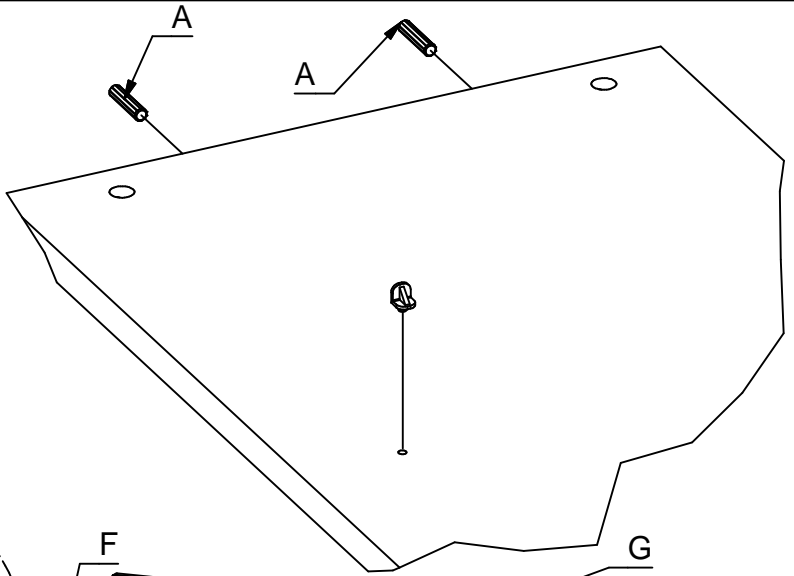
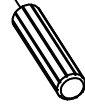
Sz + 2xE

E



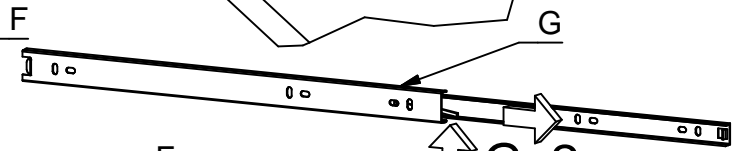
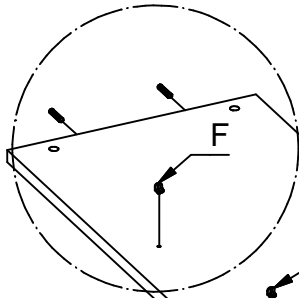
6

Ax2

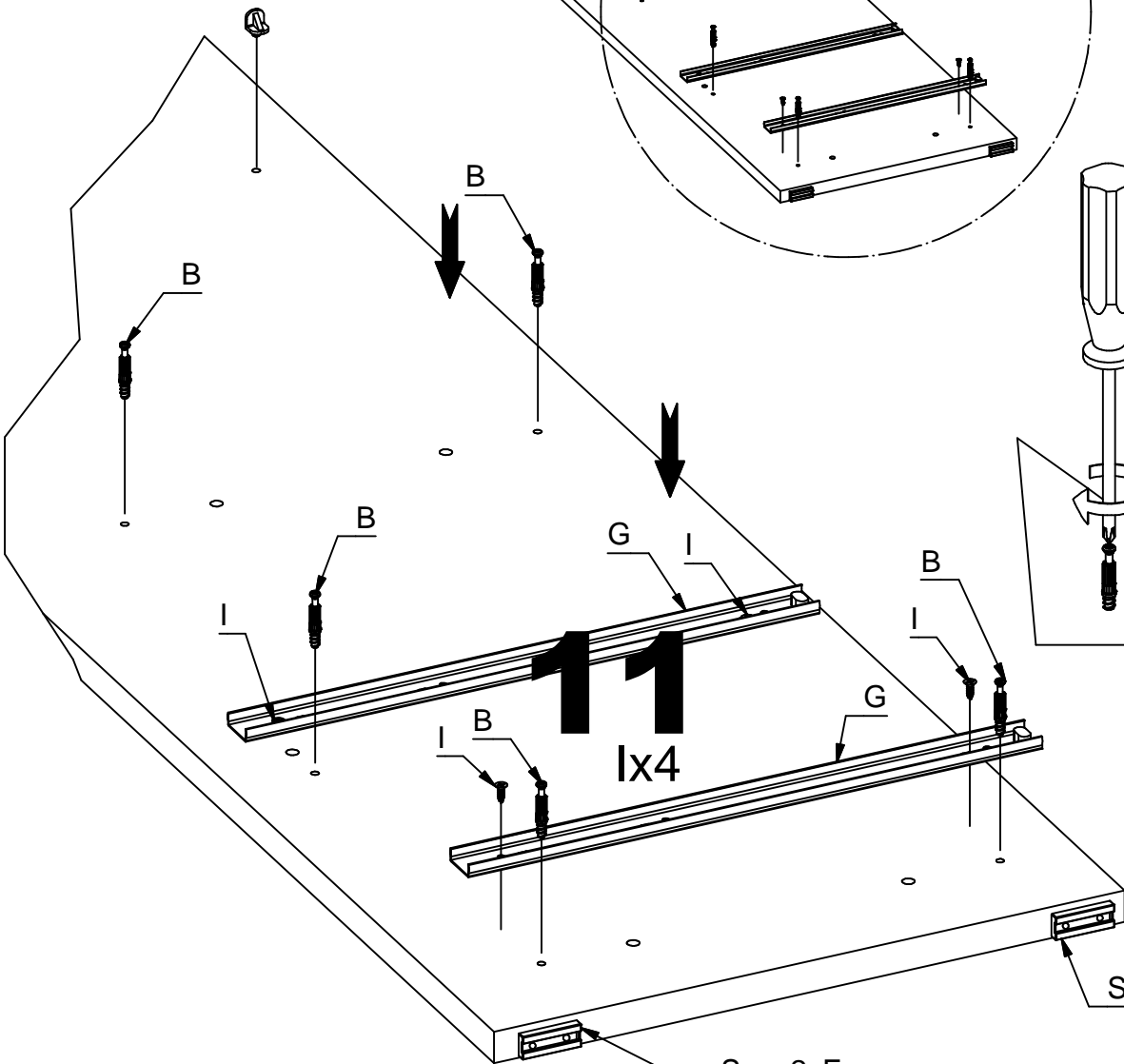
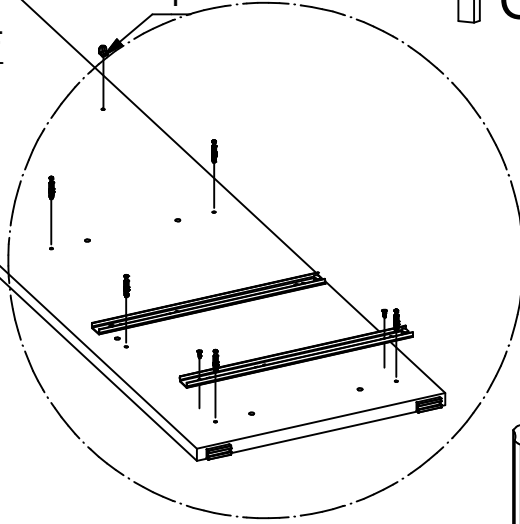


Fx4

8

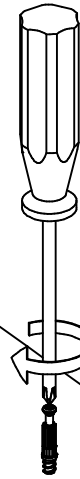


9



11

Ix4

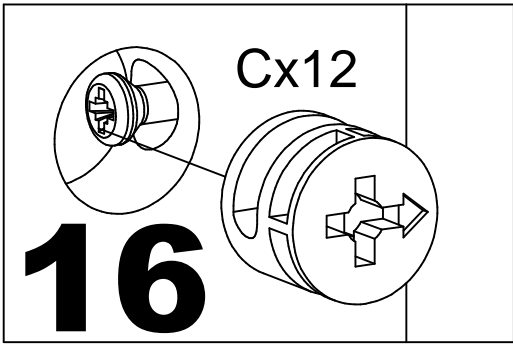


7

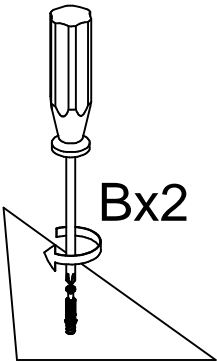
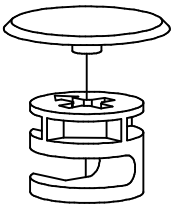
Bx5

Sz + 2xE

Sz + 2xE

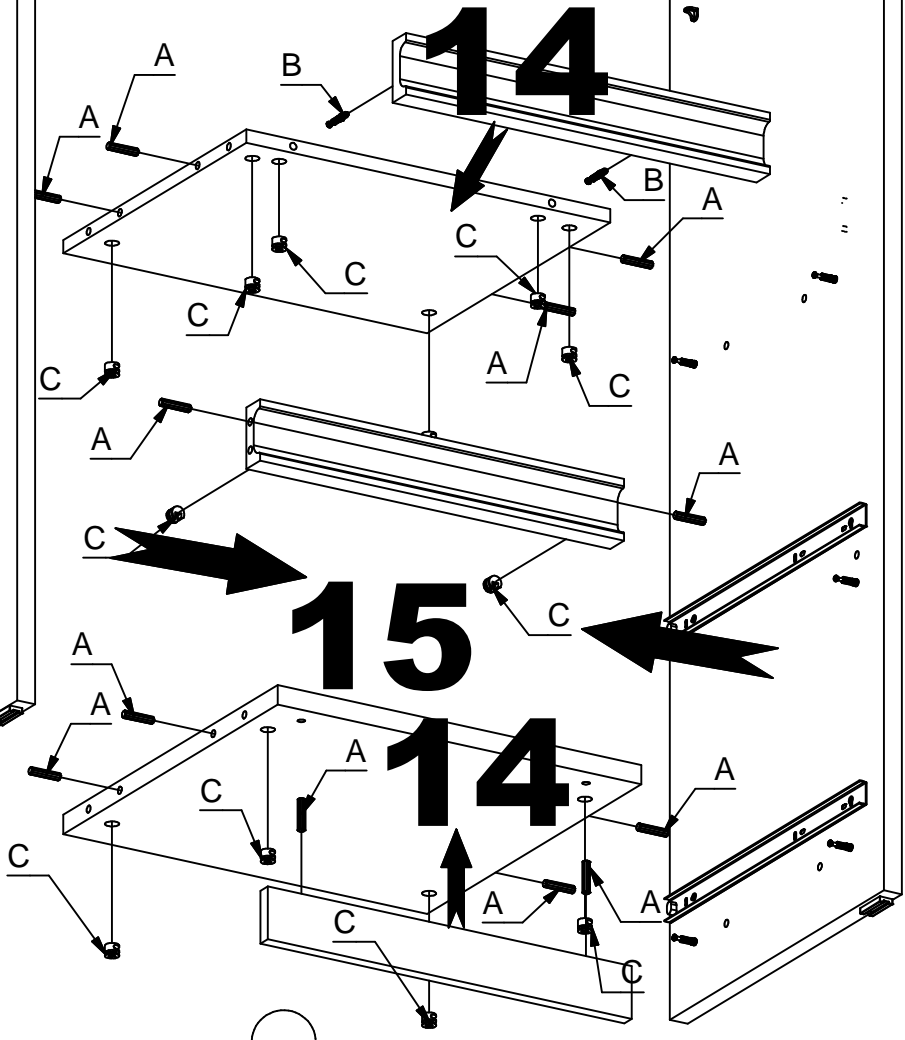
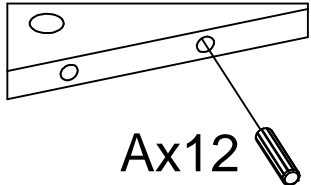


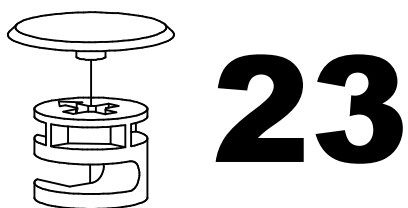
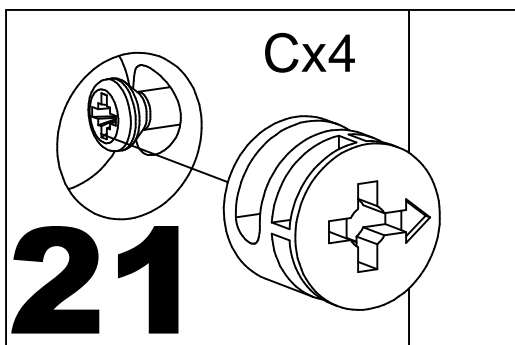
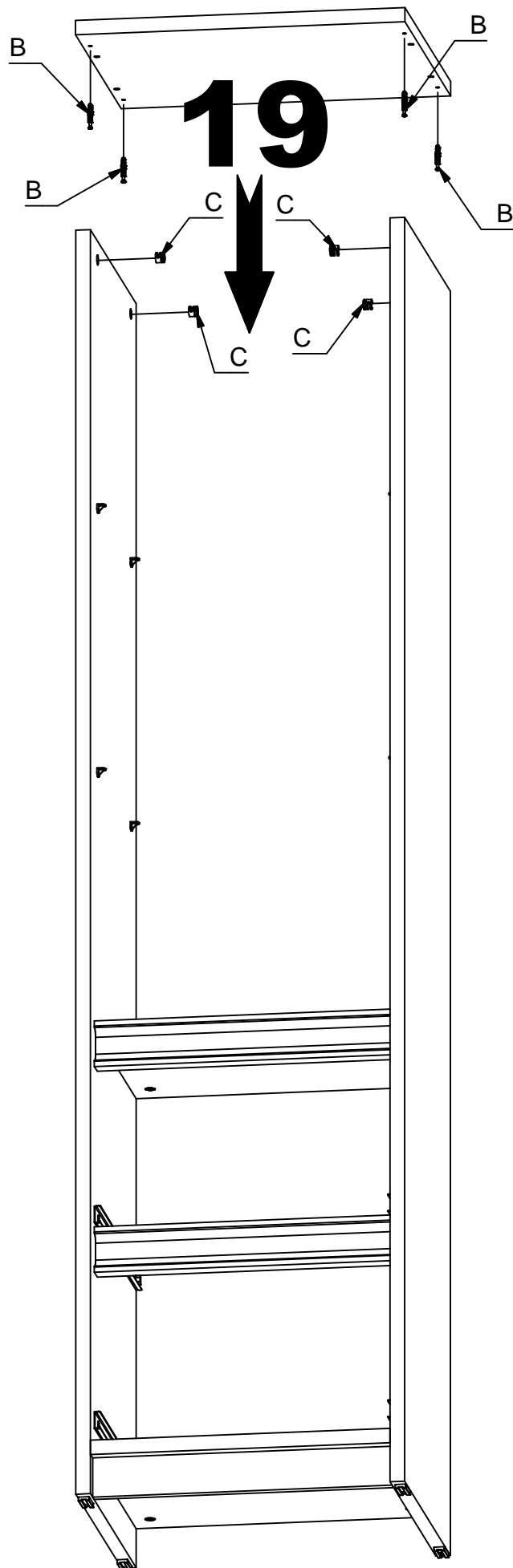
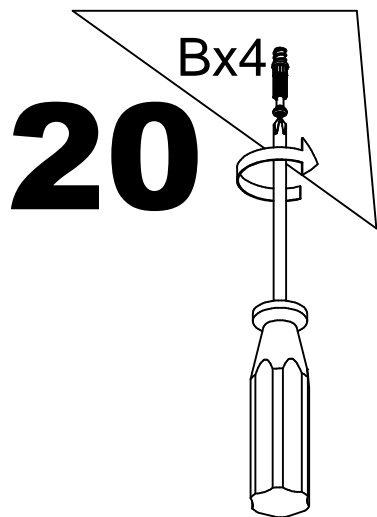
18

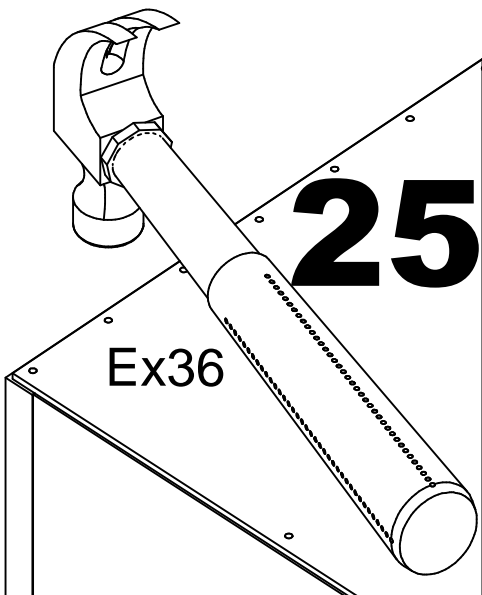
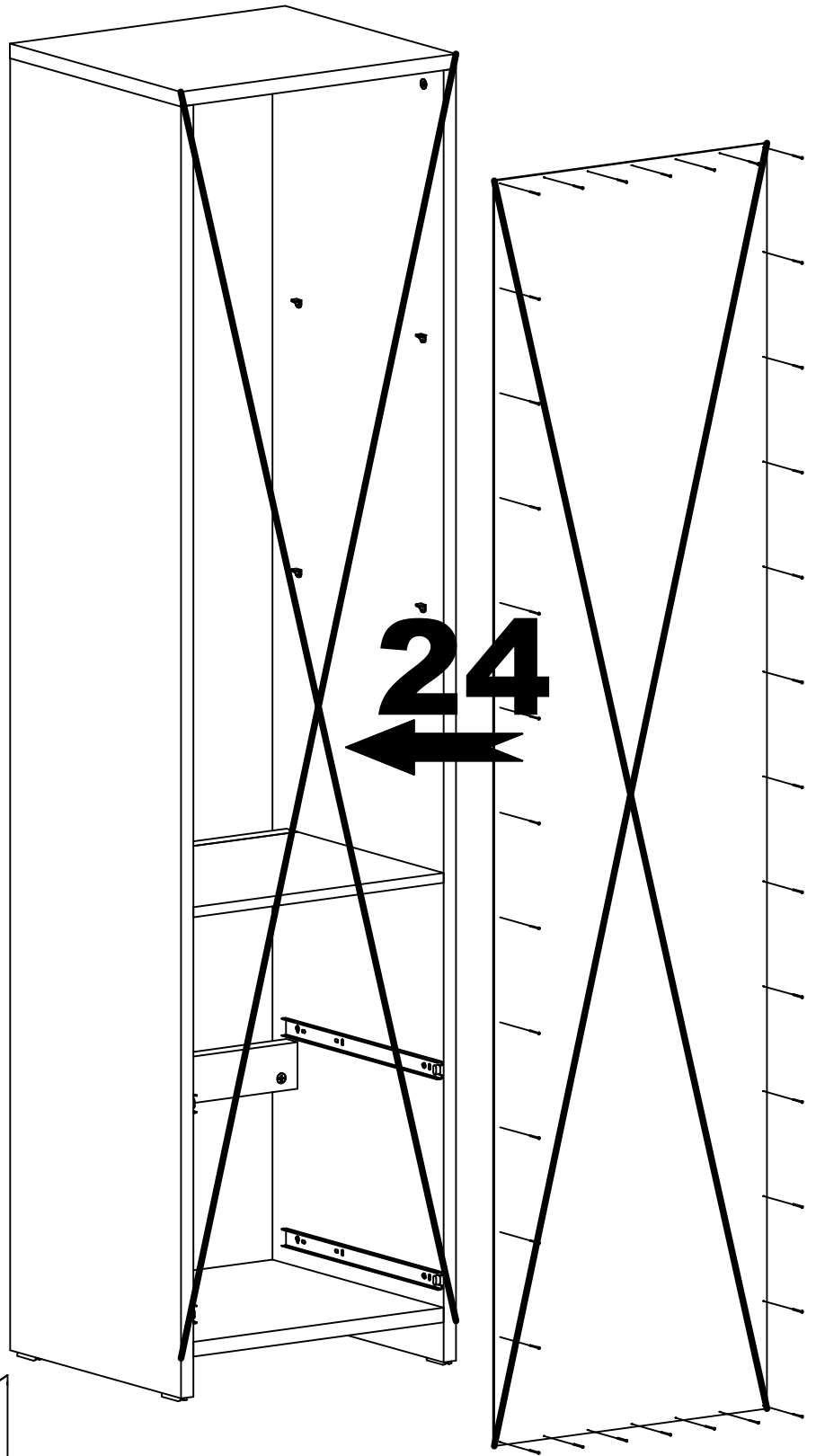


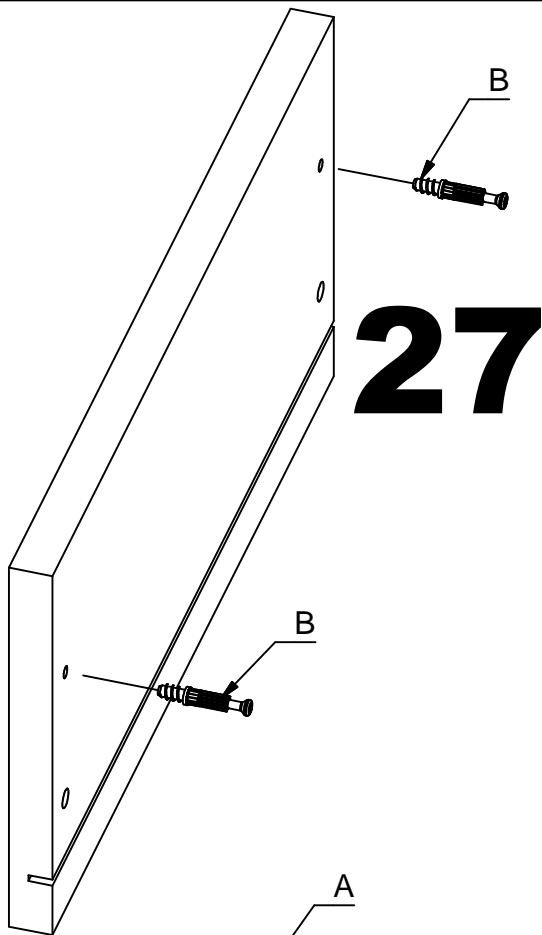
13

12

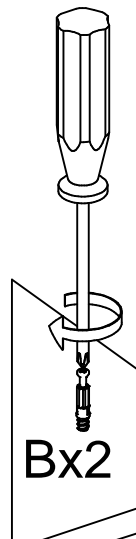




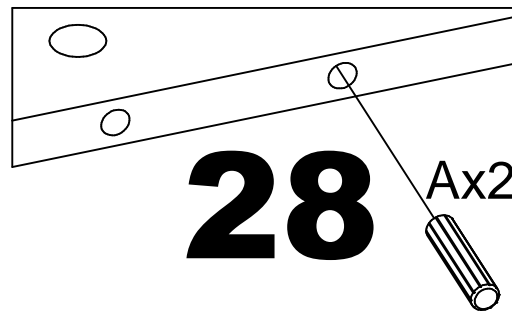




27

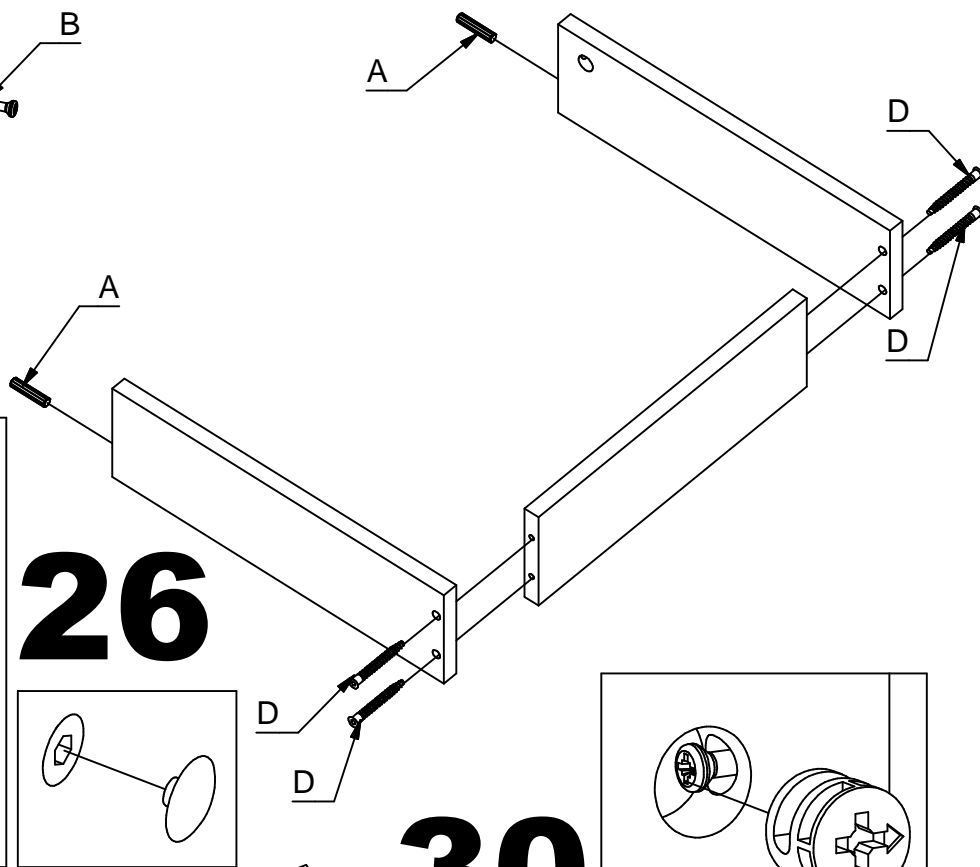


Bx2

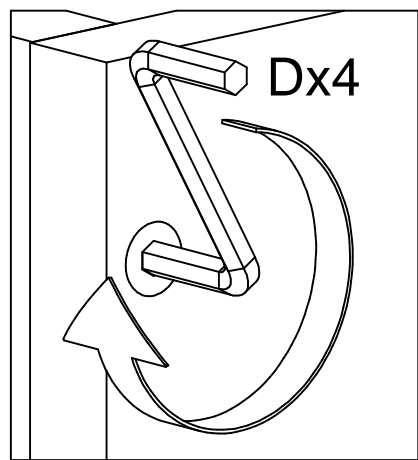


28

Ax2

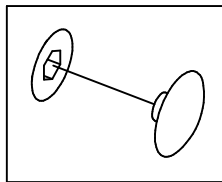


26



Dx4

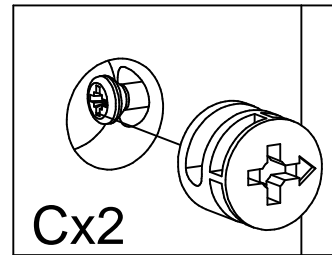
29



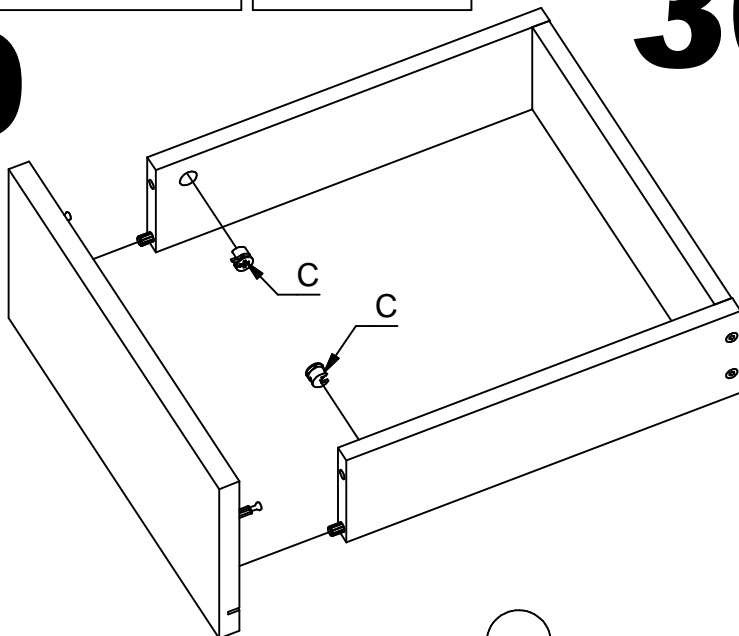
D

D

30



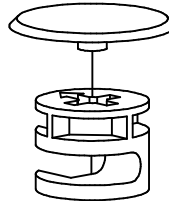
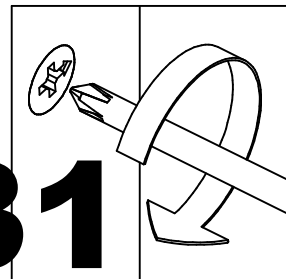
Cx2



C

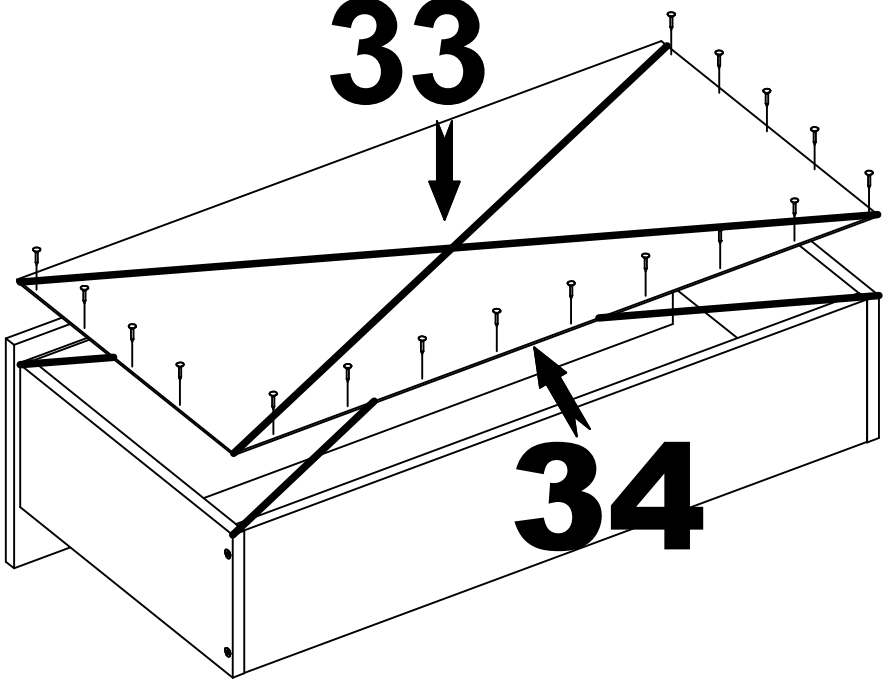
C

31



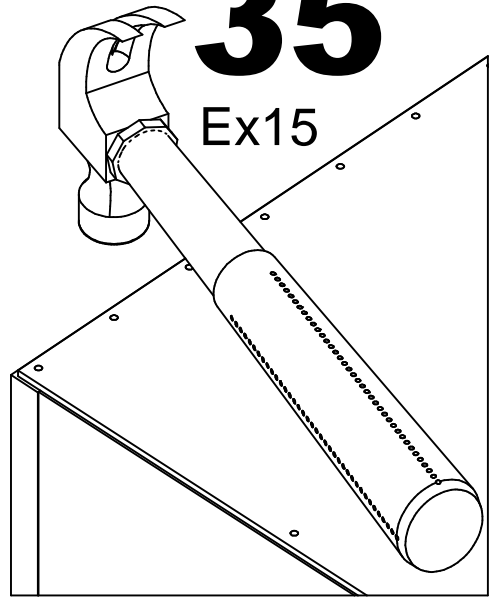
32

33

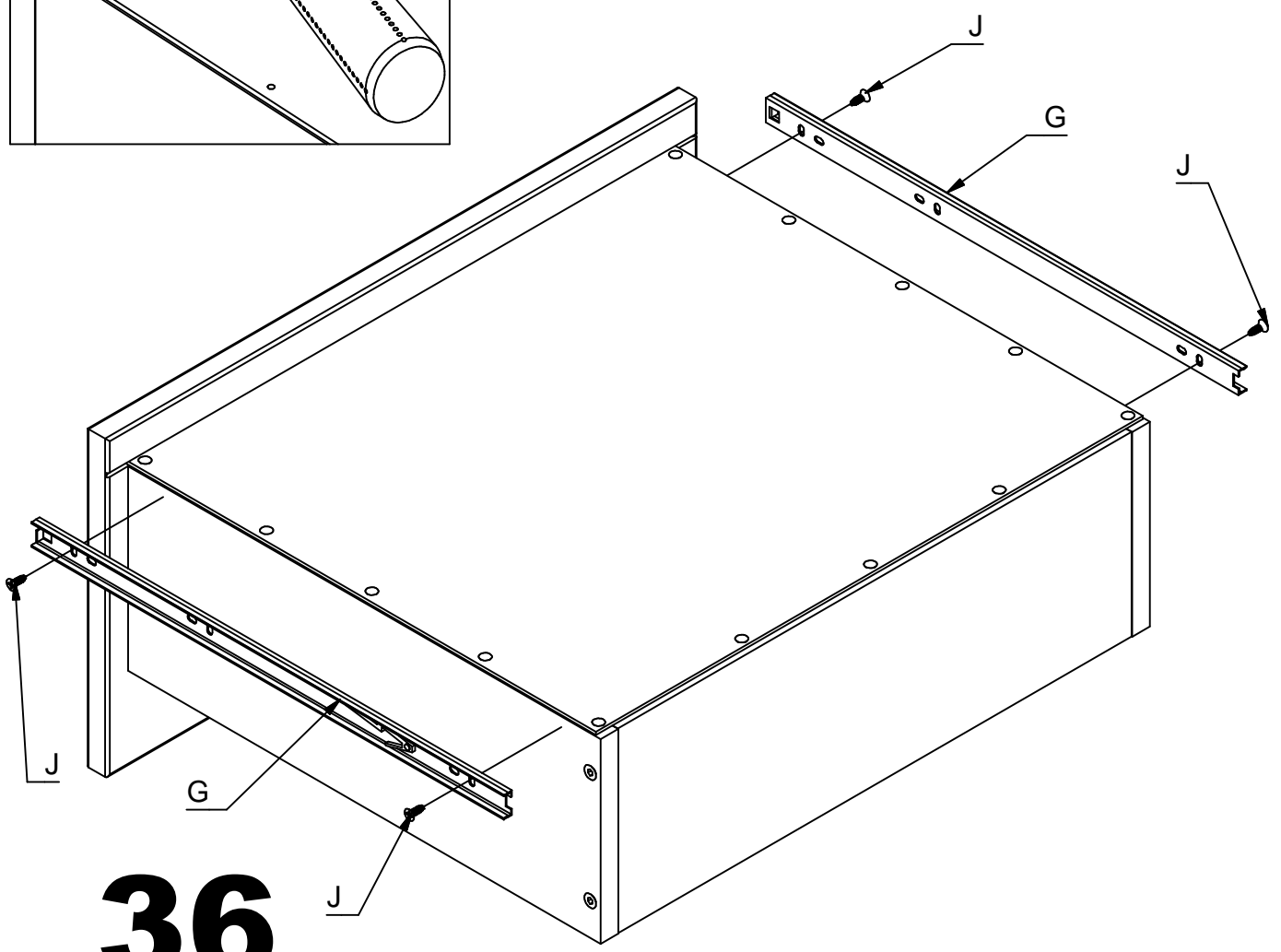


35

Ex15



34



36



37

