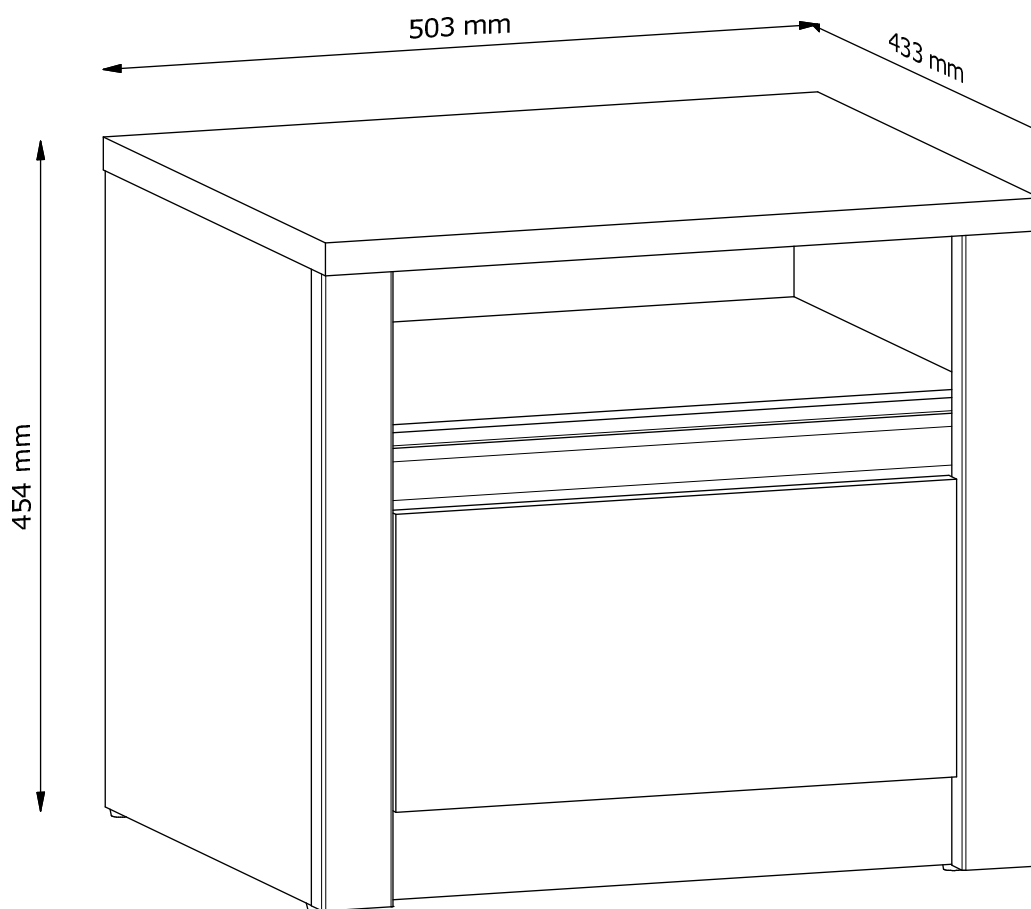
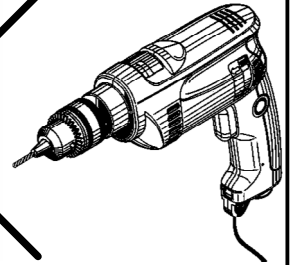
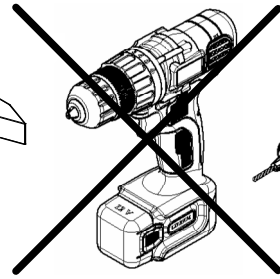
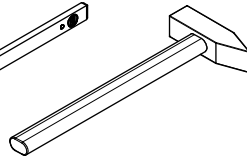
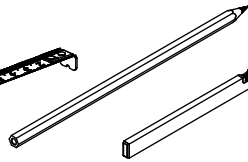
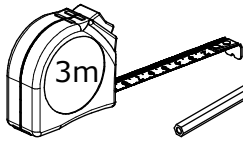
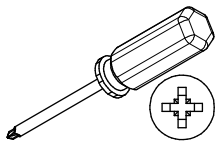


SN

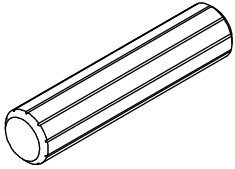


PL: INSTRUKCJA MONTAŻU
EN: ASSEMBLY MANUAL
CZ: PŘÍRUČKA PRO MONTÁŽ
SK: PRÍRUČKA PRE MONTÁŽ
DE: MONTAGEANLEITUNG
SR: UPUTSTVO ZA INSTALACIJU
NL: MONTAGE-INSTRUCTIES

12.11.2020 - Rev. 4

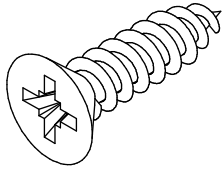


A x20



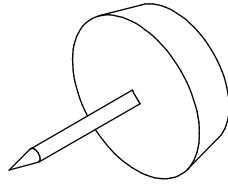
Ø8x35mm

B x16



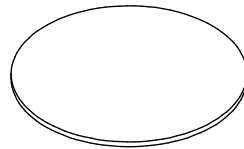
Ø3,5x16mm

C x6



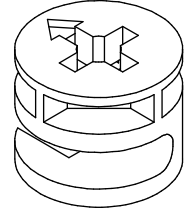
Ø15x20mm

D x8



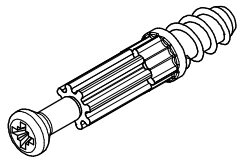
Ø21mm

E x20



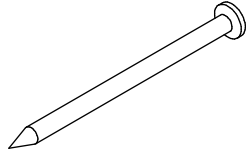
Ø15x12mm

F x20



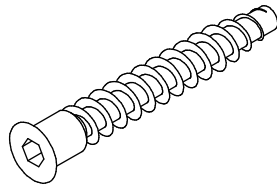
Ø5x38mm

H x31



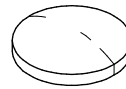
26mm

I x4



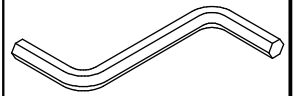
Ø6,4x50mm

J x2



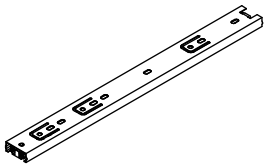
Ø8x1,5mm

K x1



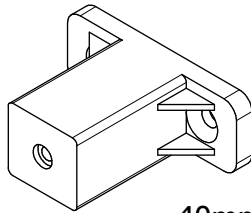
4mm HEX

L x2



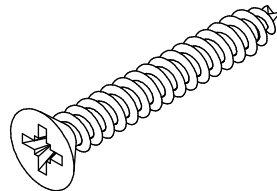
350mm

N x4

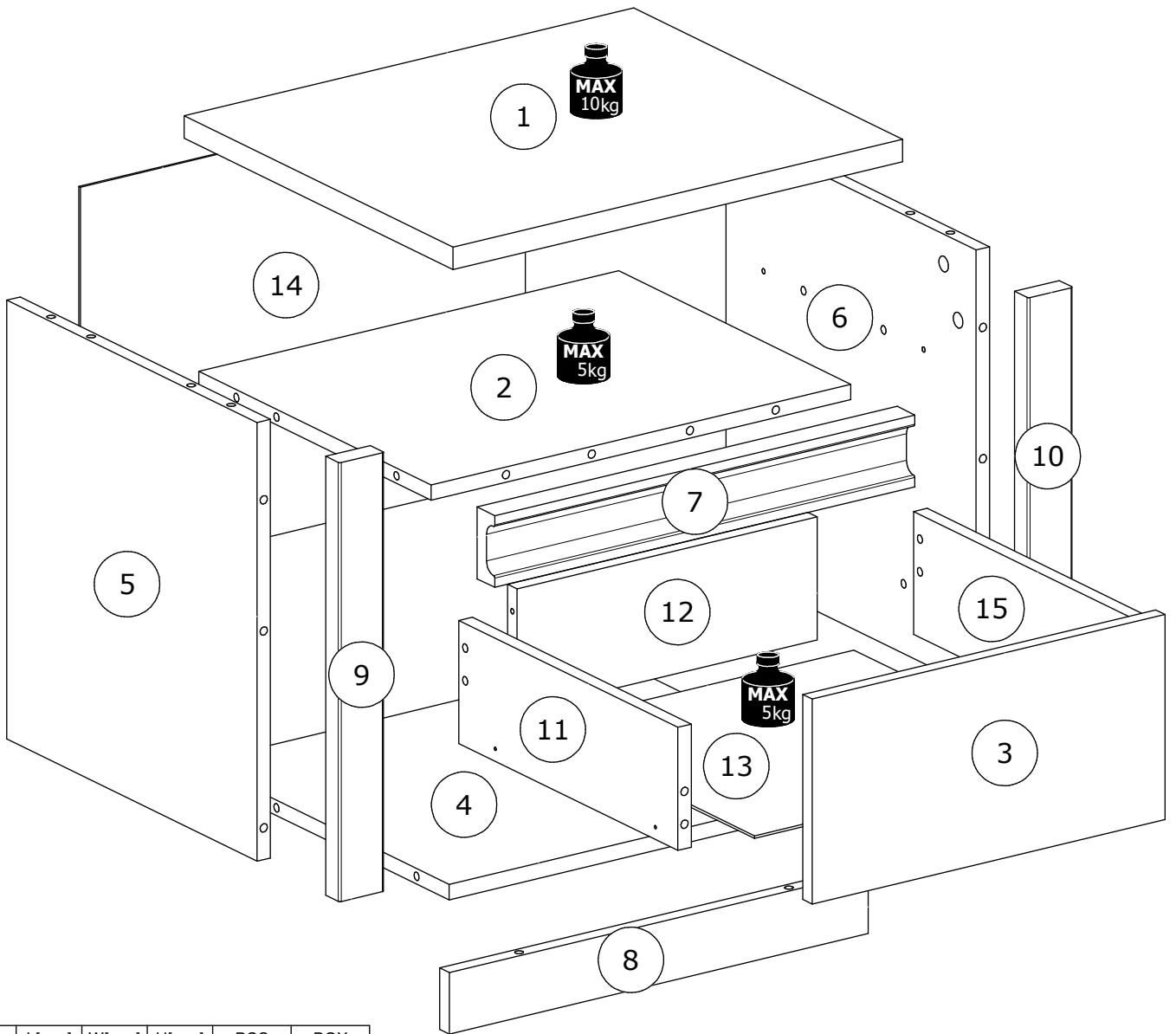
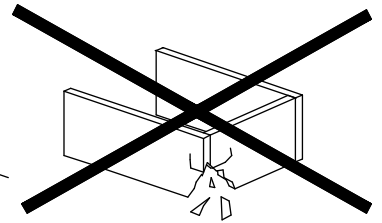
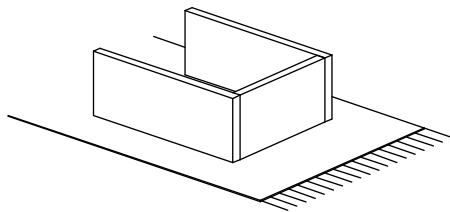
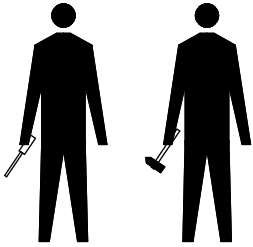


40mm

O x6



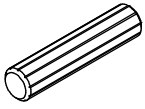
Ø4x30mm



No.	L[mm]	W[mm]	H[mm]	PCS	BOX
1	503	430	22	1	1/1
2	470	371	15	1	1/1
3	395	200	15	1	1/1
4	470	400	15	1	1/1
5	428	400	15	1	1/1
6	428	400	15	1	1/1
7	470	70	28	1	1/1
8	469	60	15	1	1/1
9	428	50	22	1	1/1
10	428	50	22	1	1/1
11	350	120	15	1	1/1
12	336	120	15	1	1/1
13	360	355	2,5	1	1/1
14	498	385	2,5	1	1/1
15	350	120	15	1	1/1

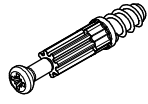
1

A x 6

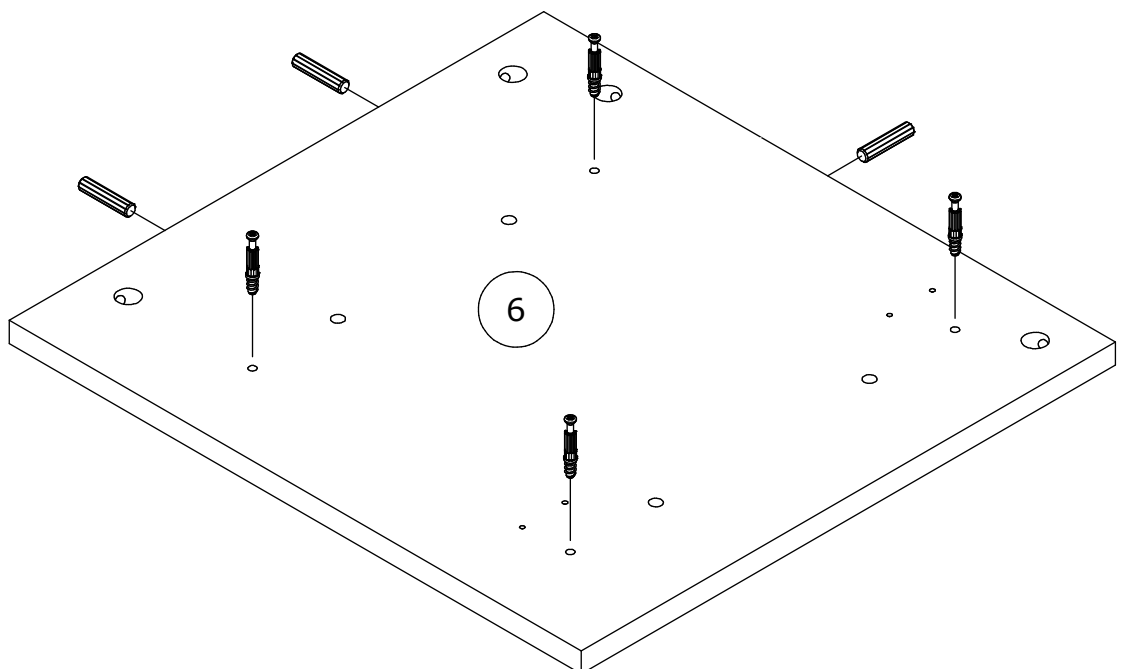
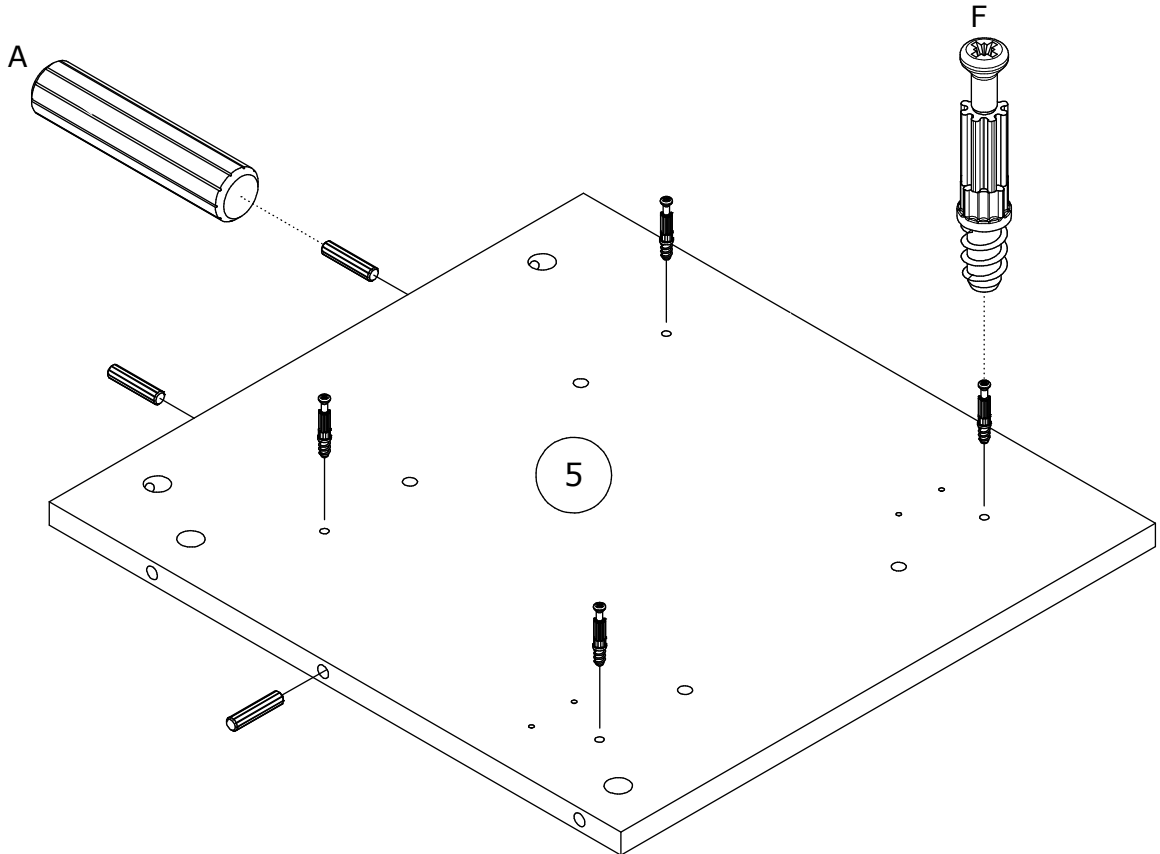
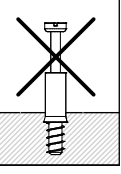
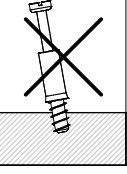
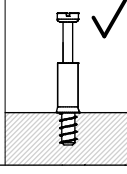
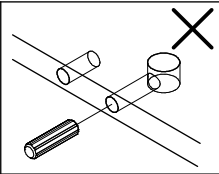
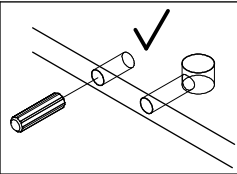
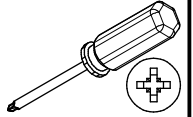
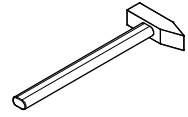


Ø8x35mm

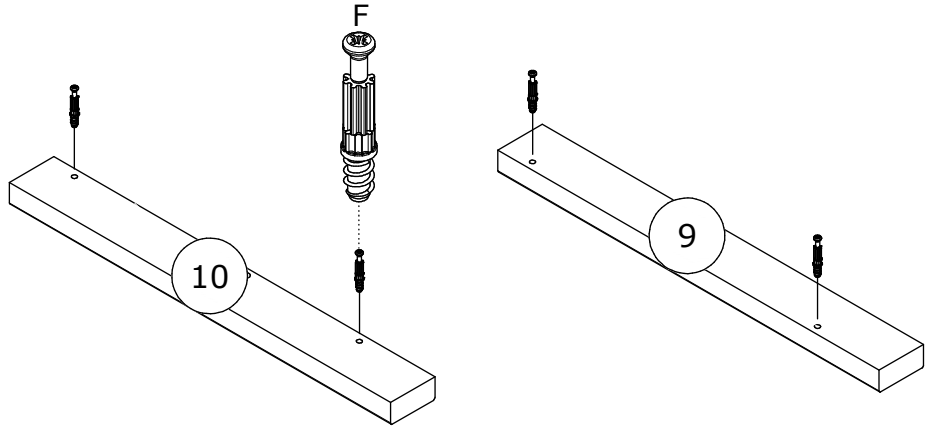
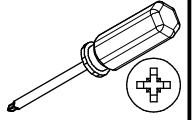
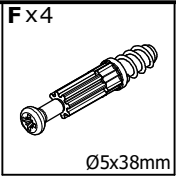
F x 8



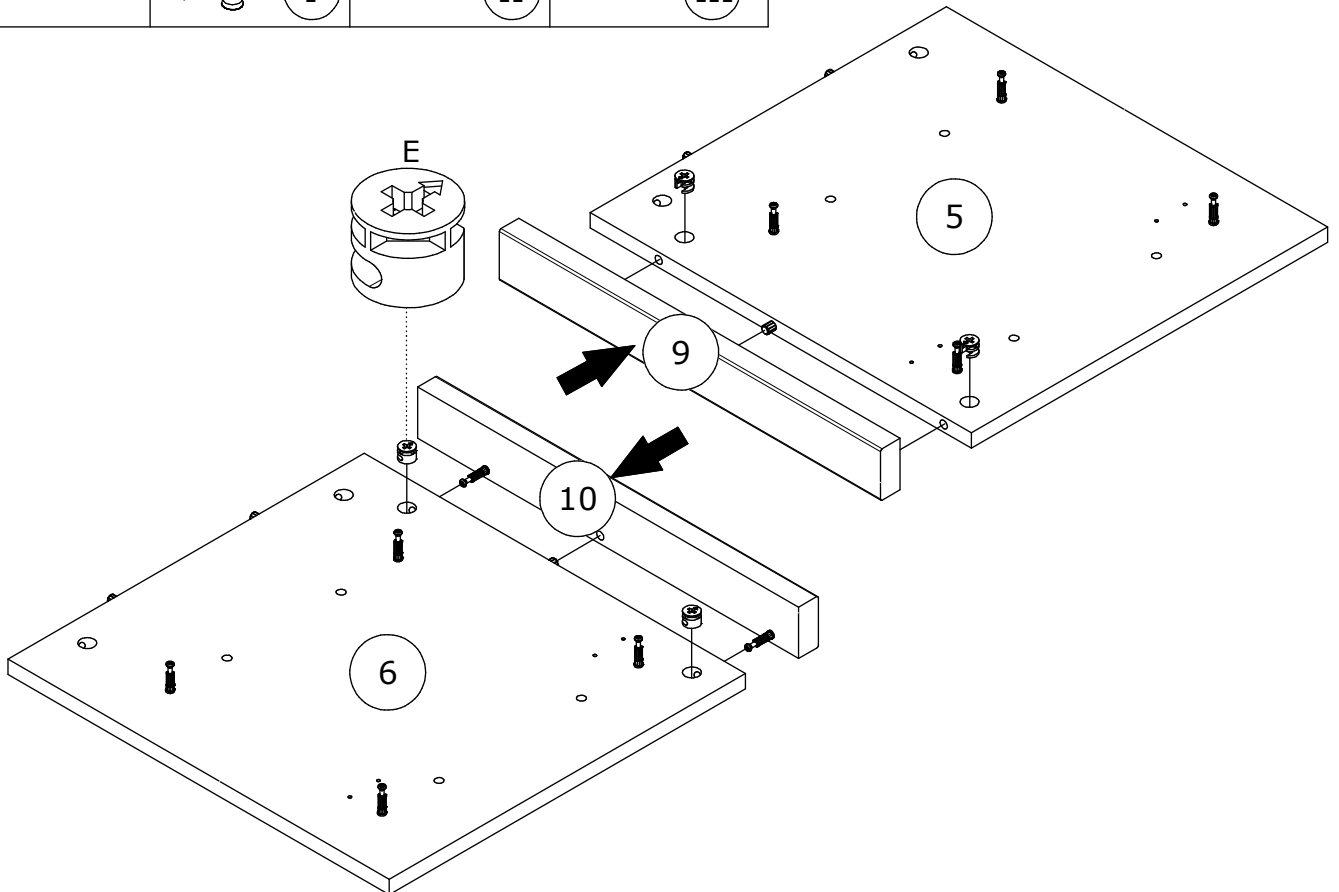
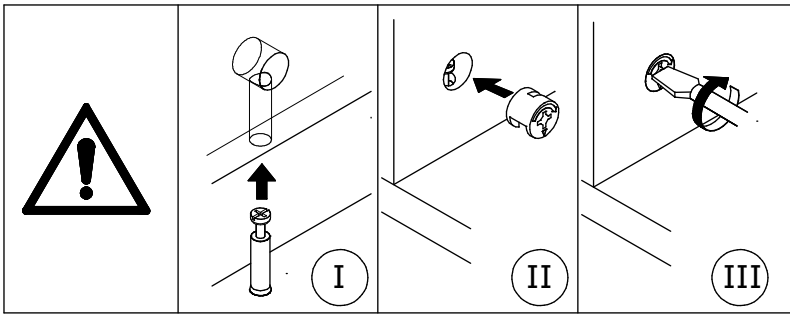
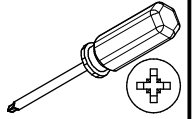
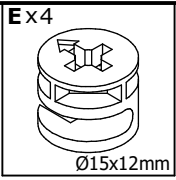
Ø5x38mm



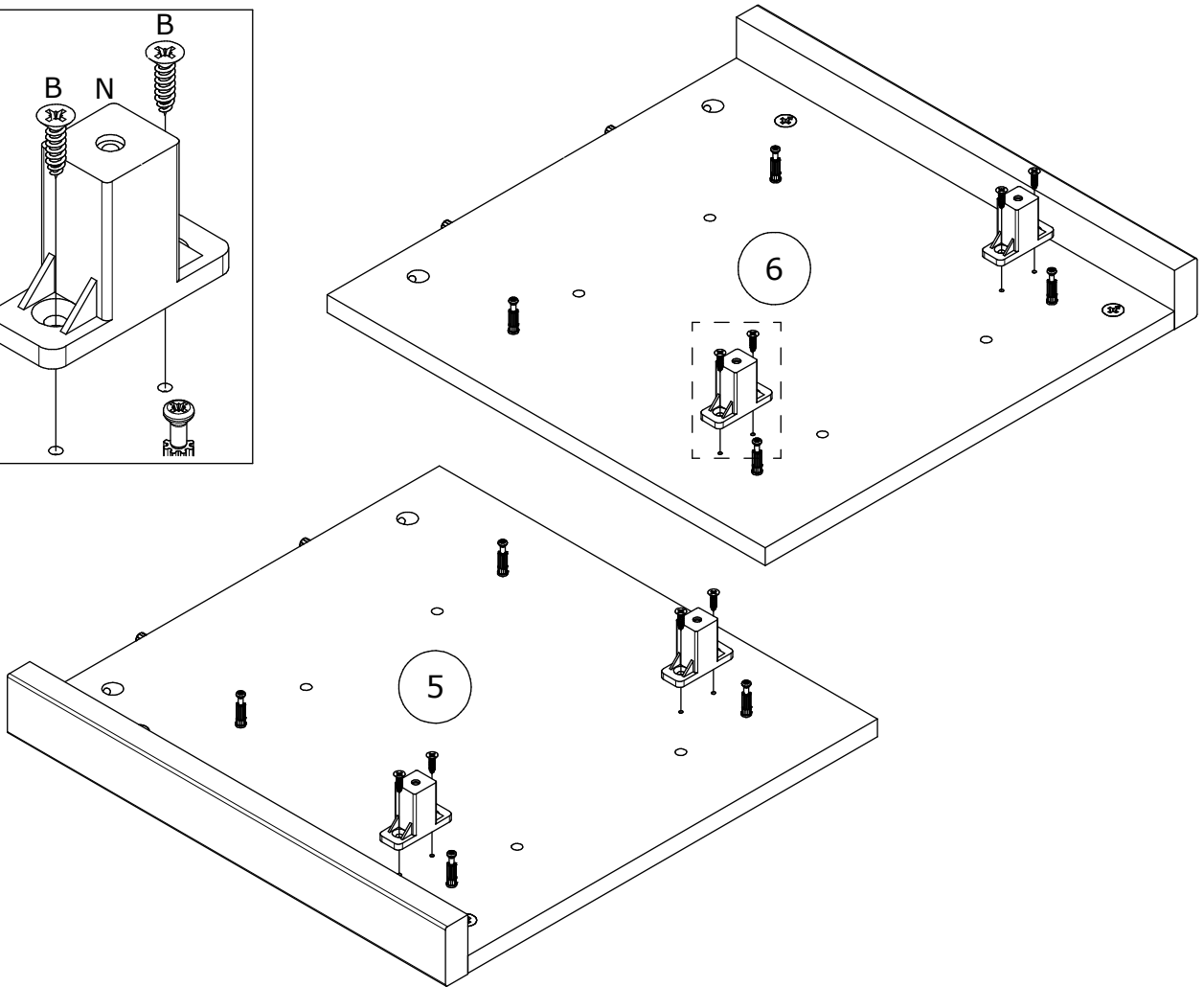
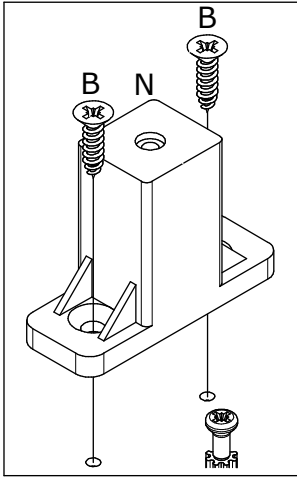
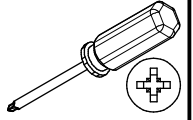
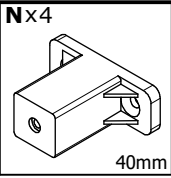
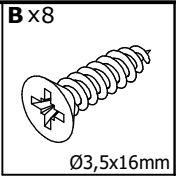
2



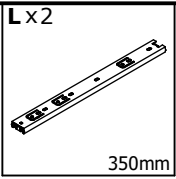
3



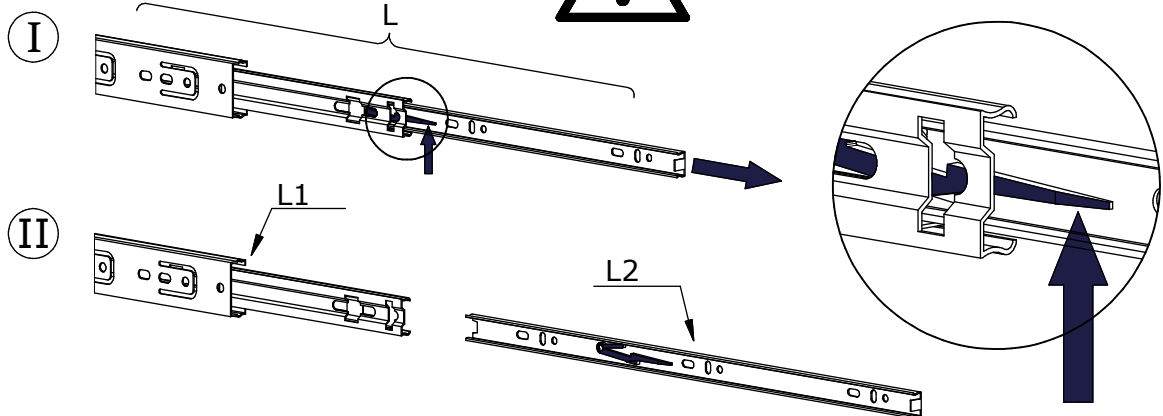
4



5

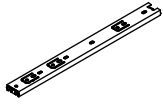


$$L = L1 + L2$$



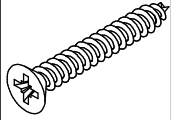
6

L1x2

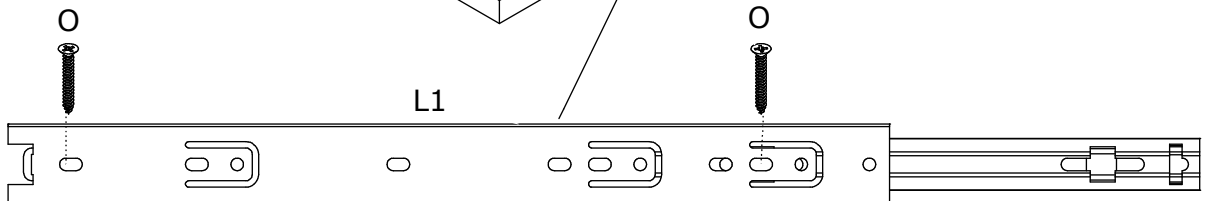
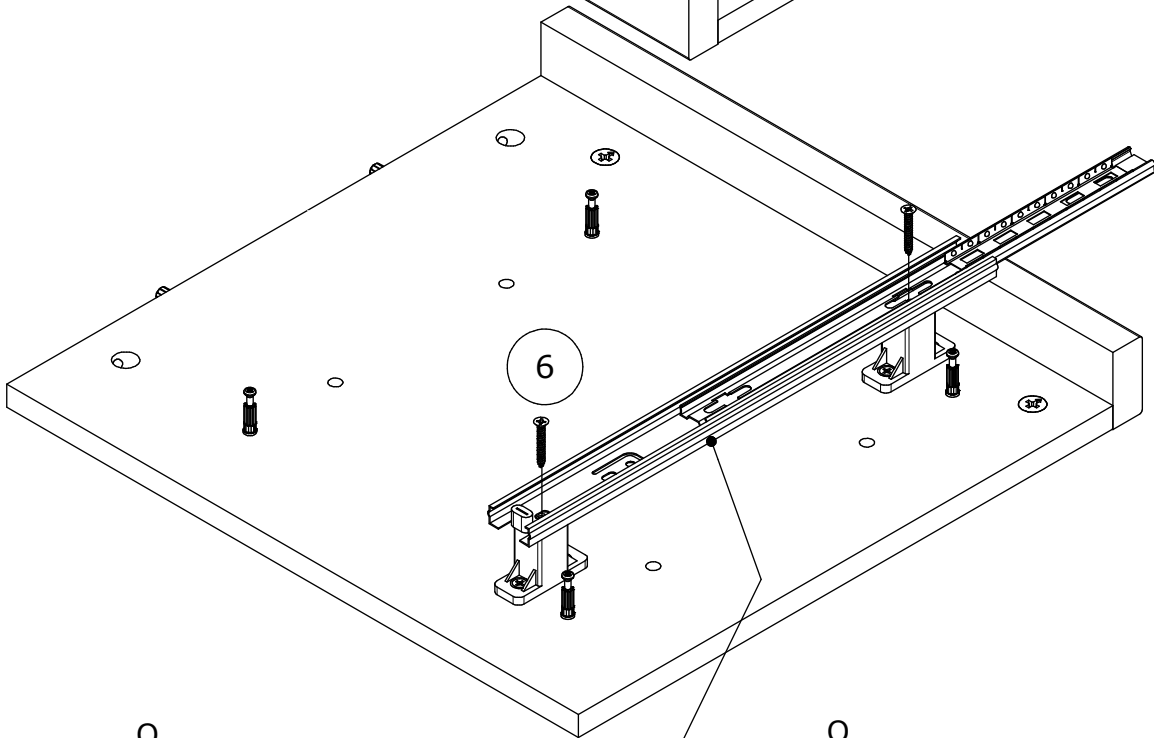
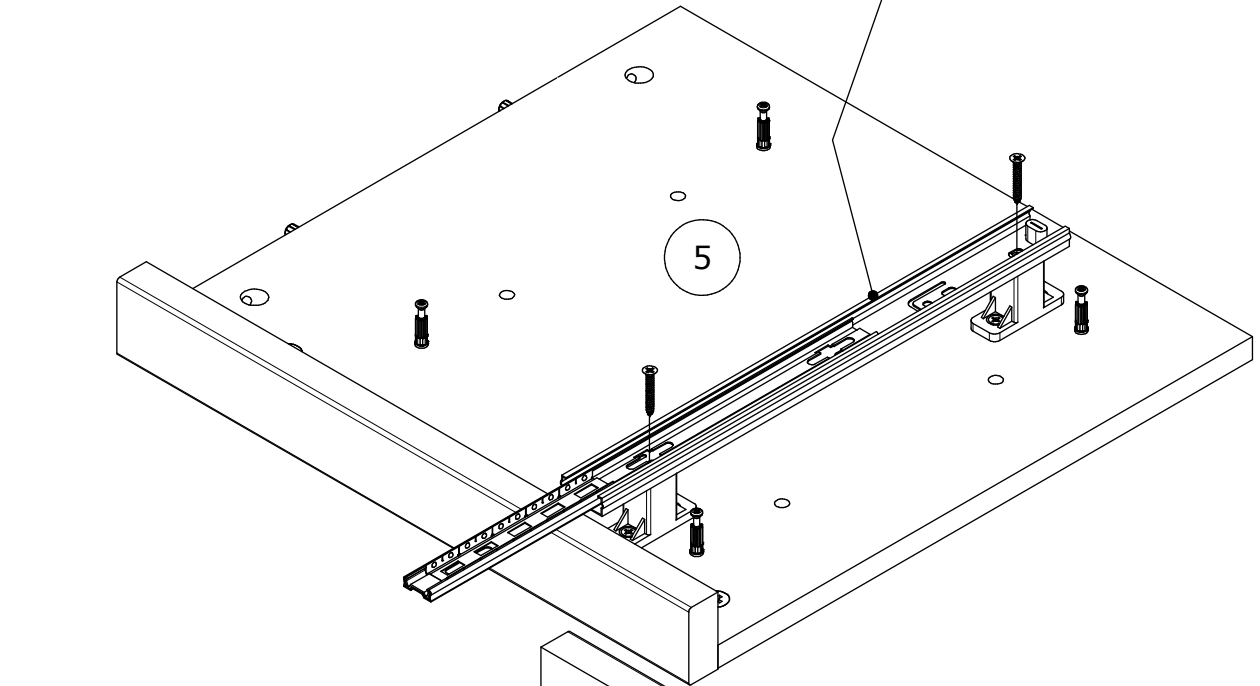
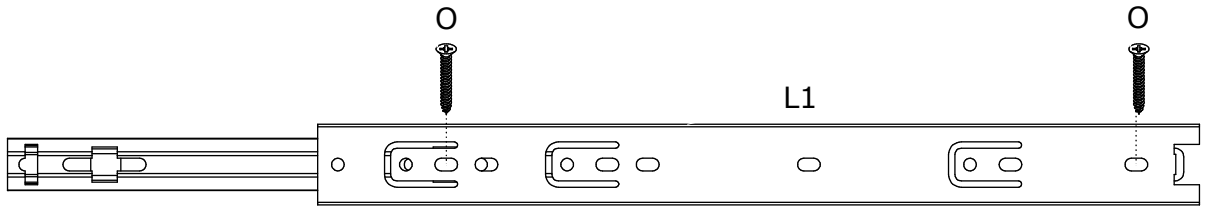
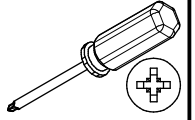


350mm

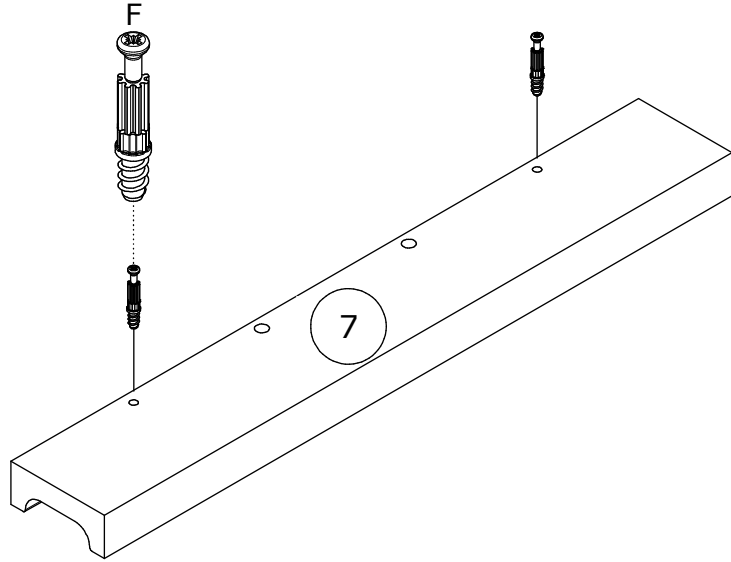
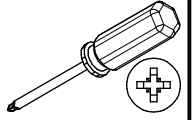
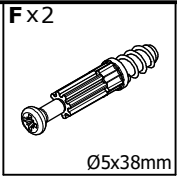
Ox4



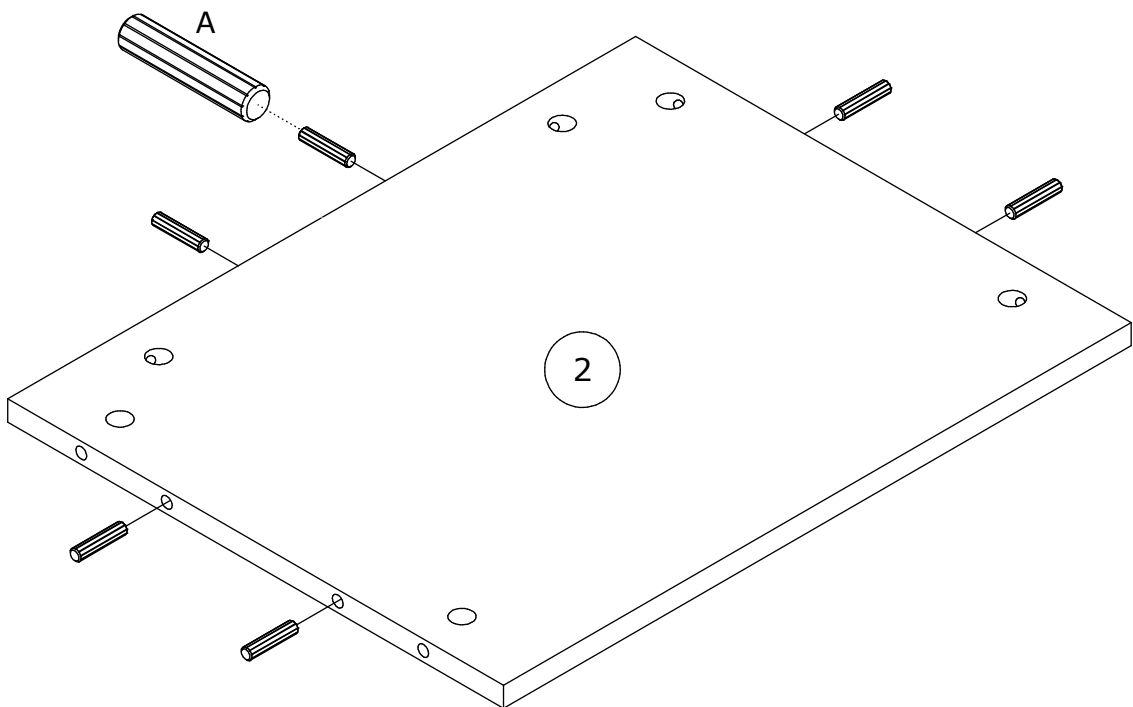
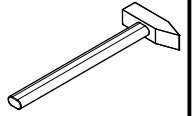
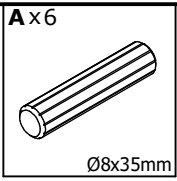
Ø4x30mm



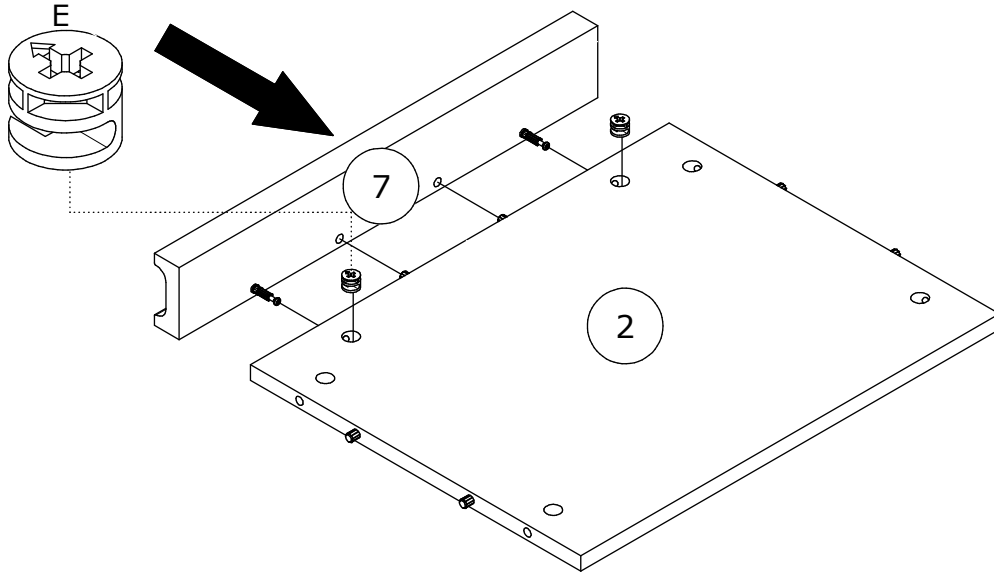
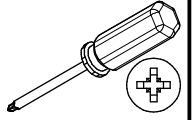
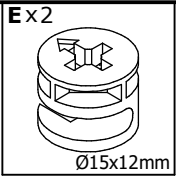
7



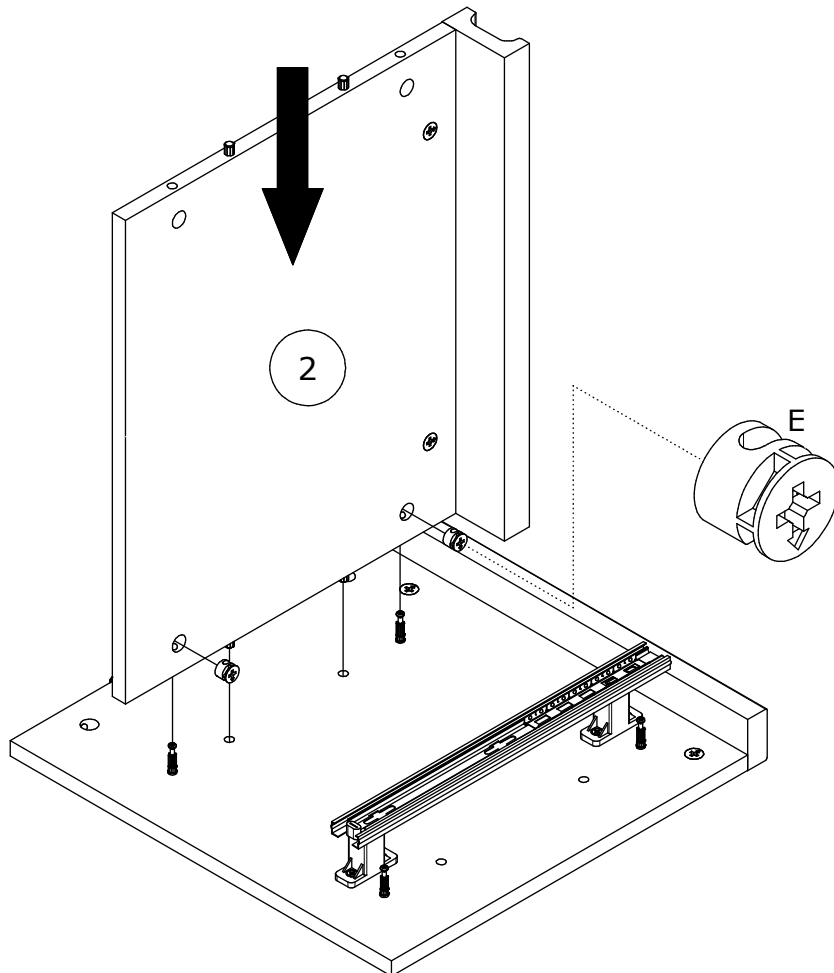
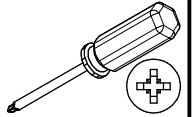
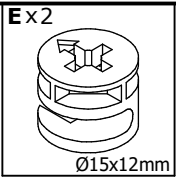
8



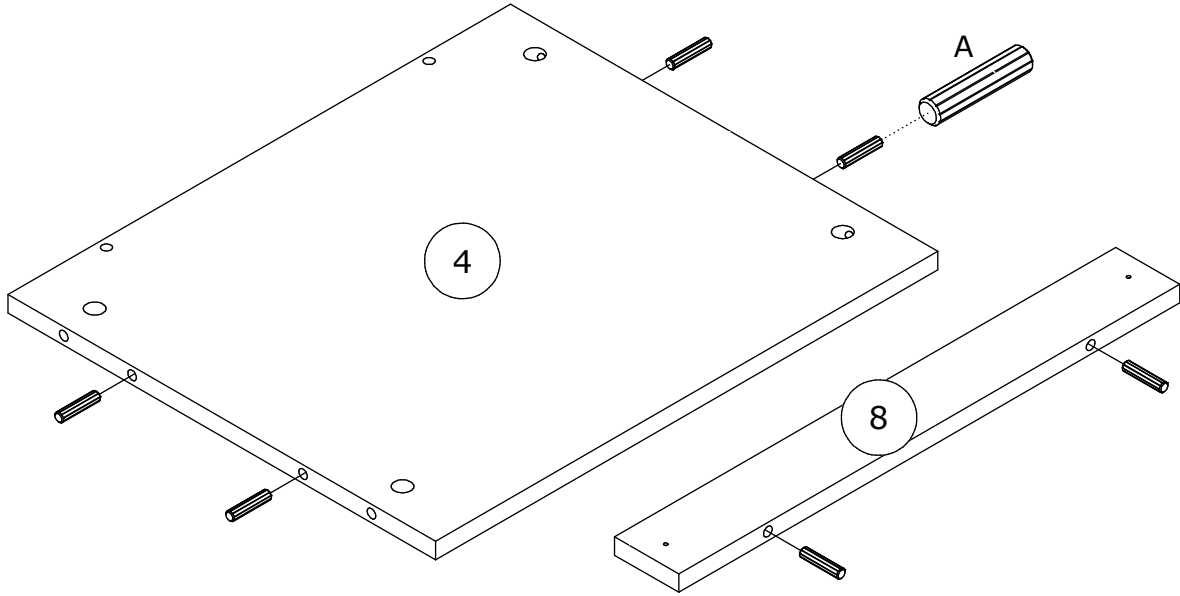
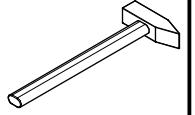
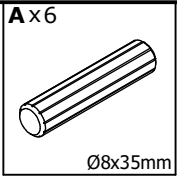
9



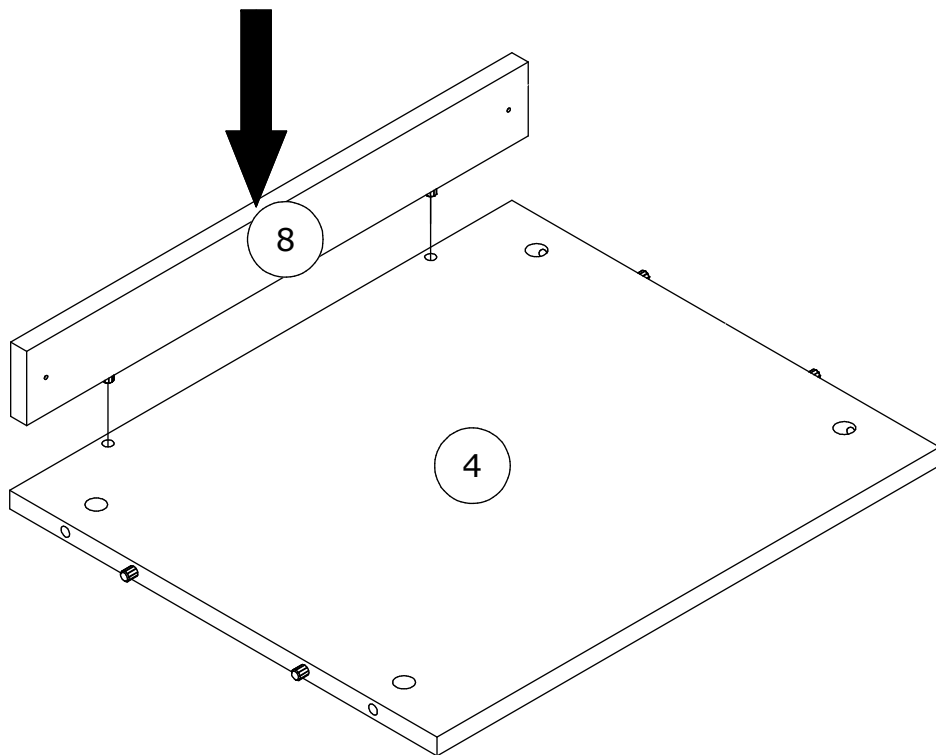
10



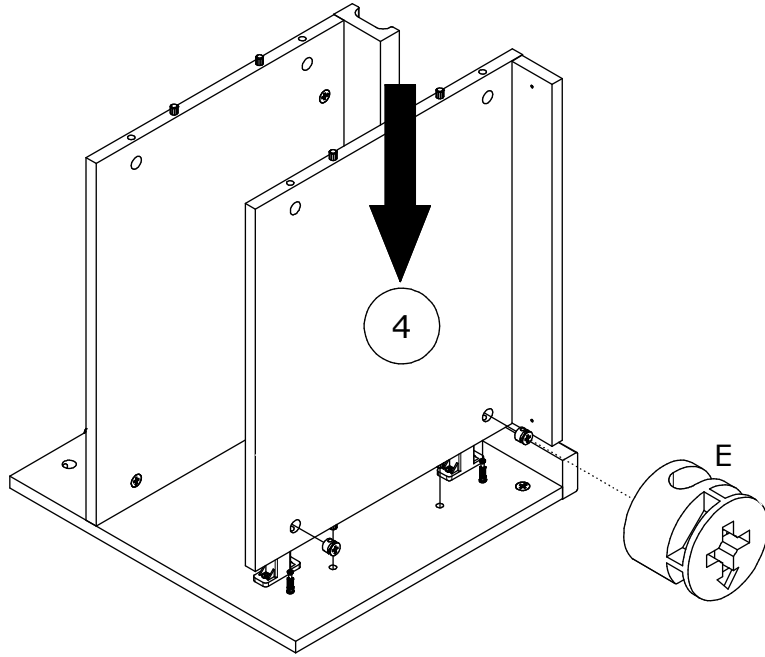
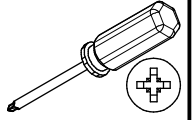
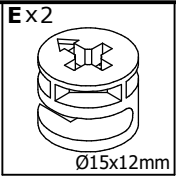
11



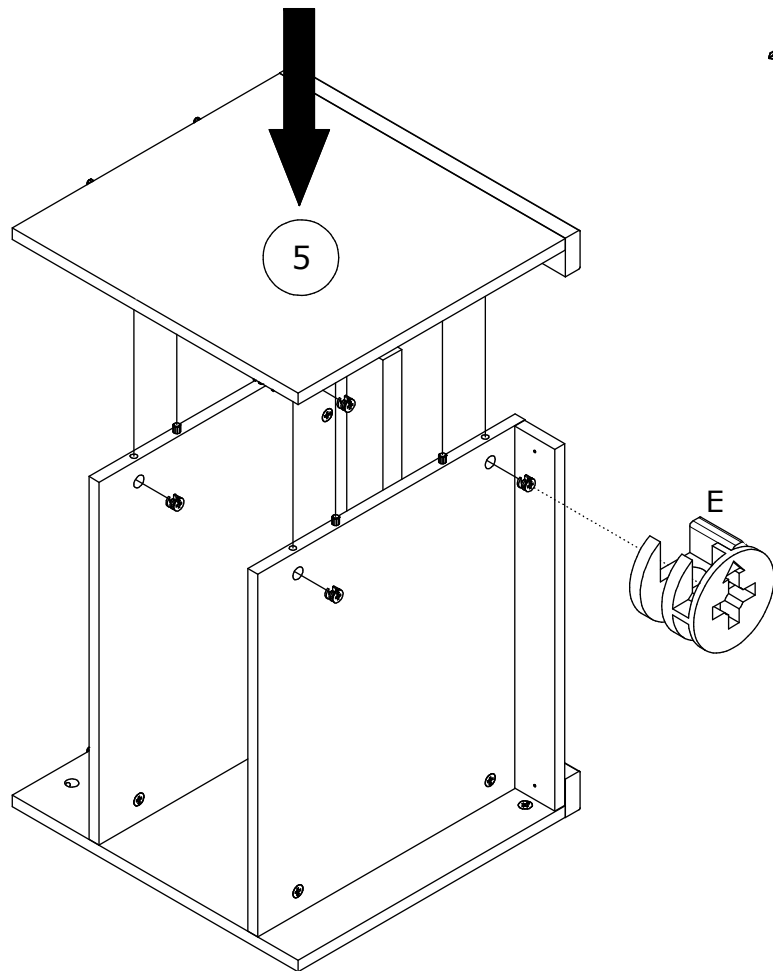
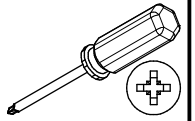
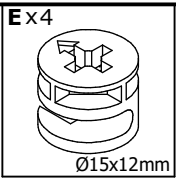
12



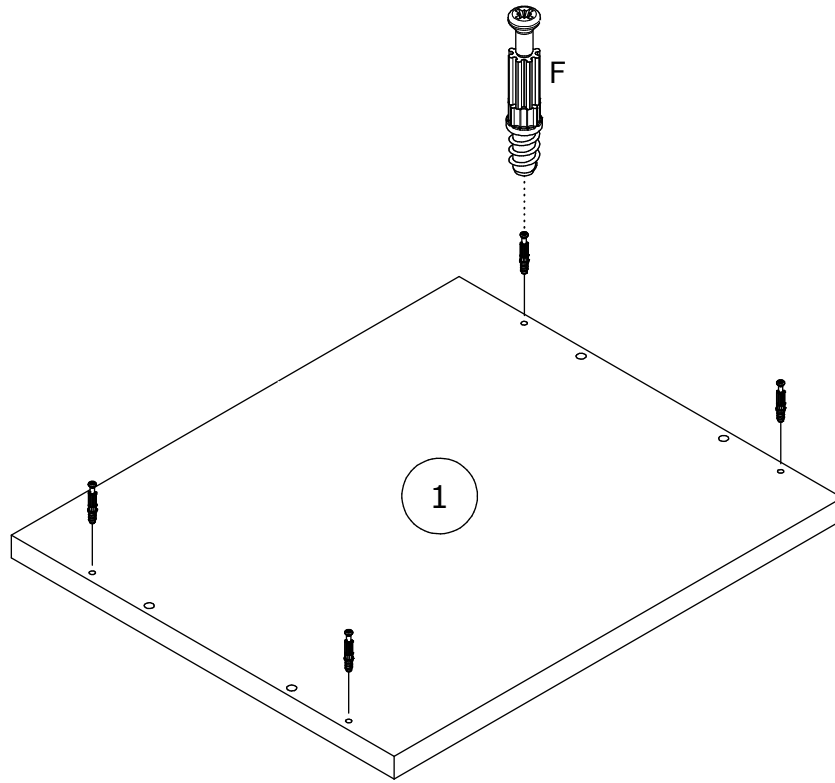
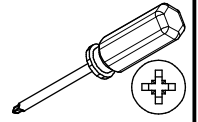
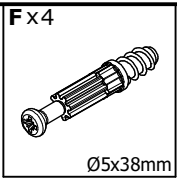
13



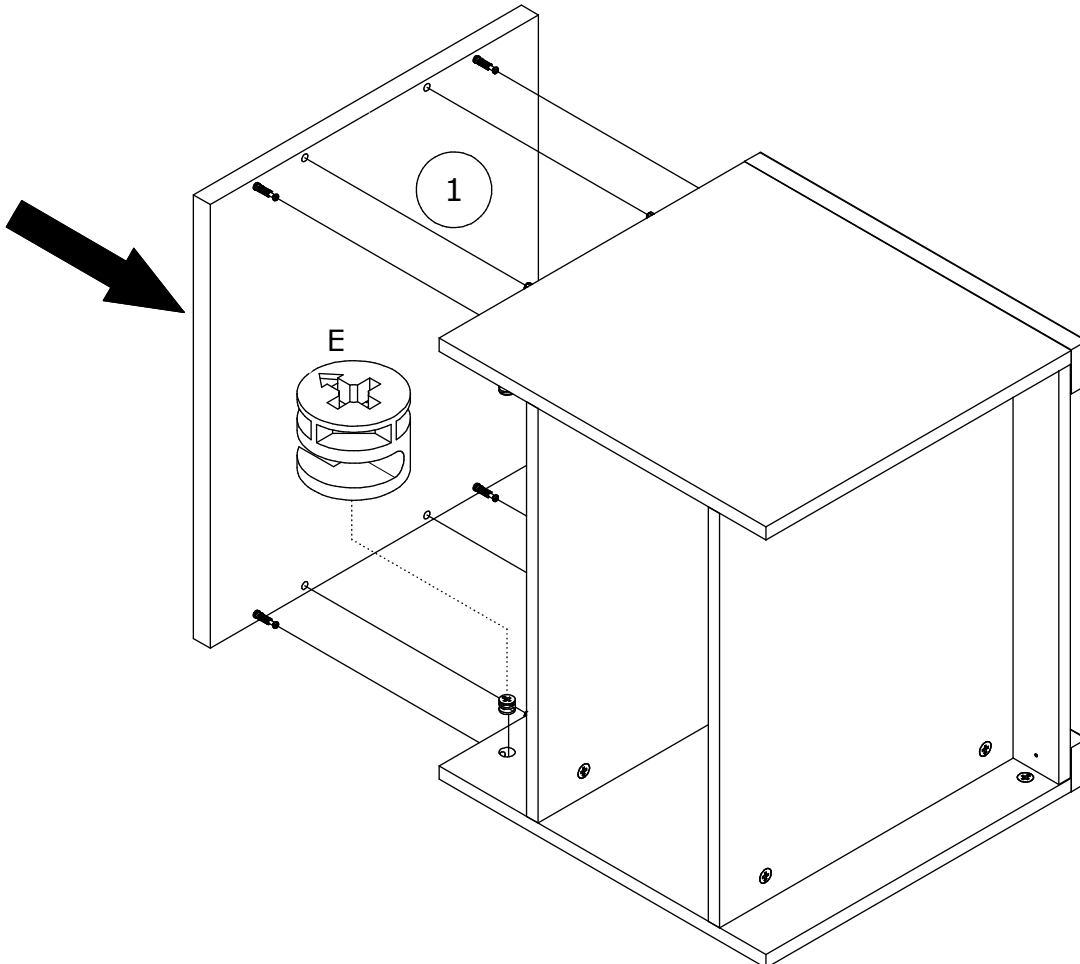
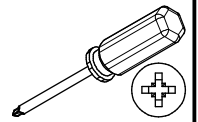
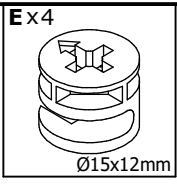
14



15

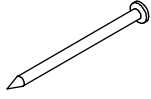


16

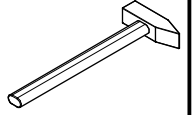
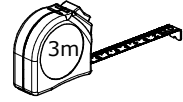


17

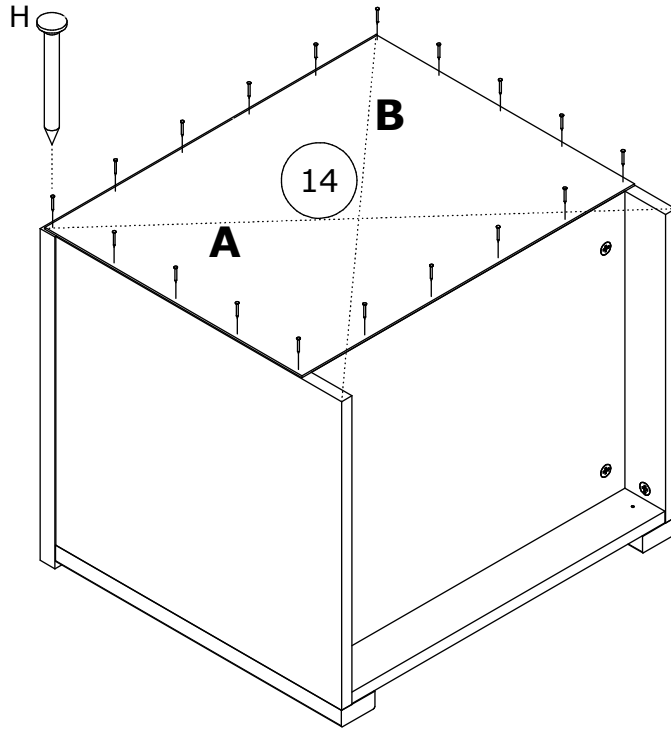
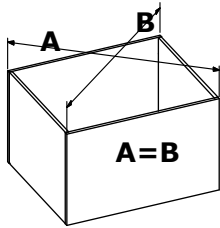
Hx18



26mm

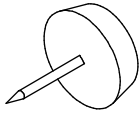


$A=B \equiv 90^\circ$



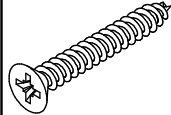
18

Cx6

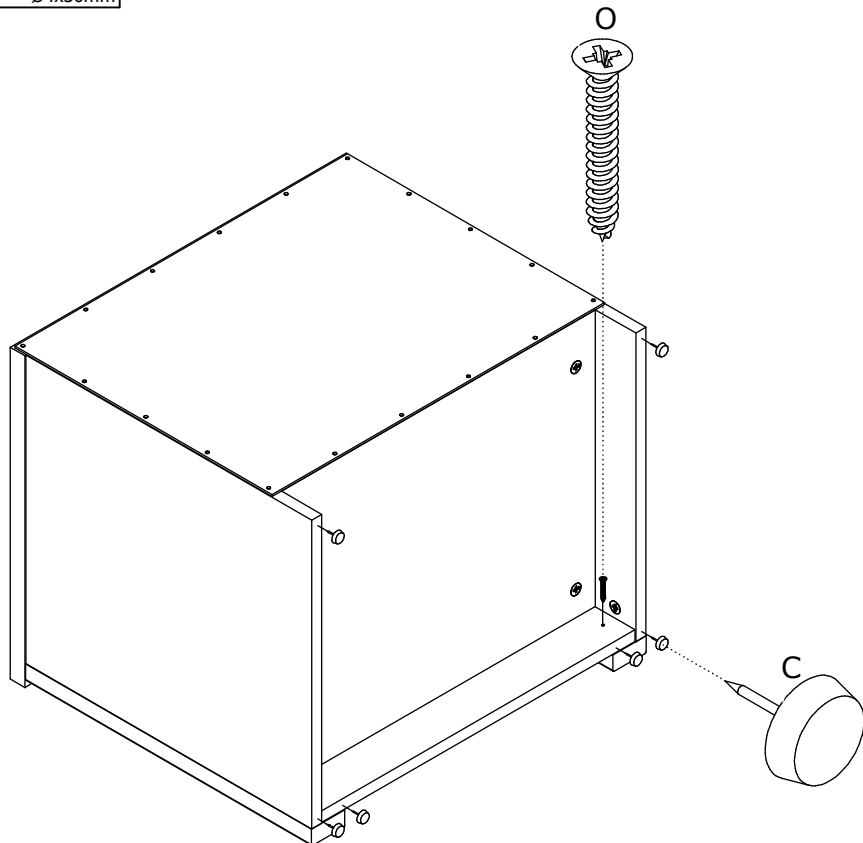
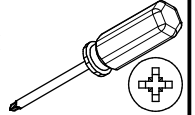
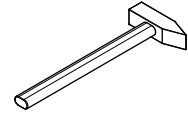


Ø15x20mm

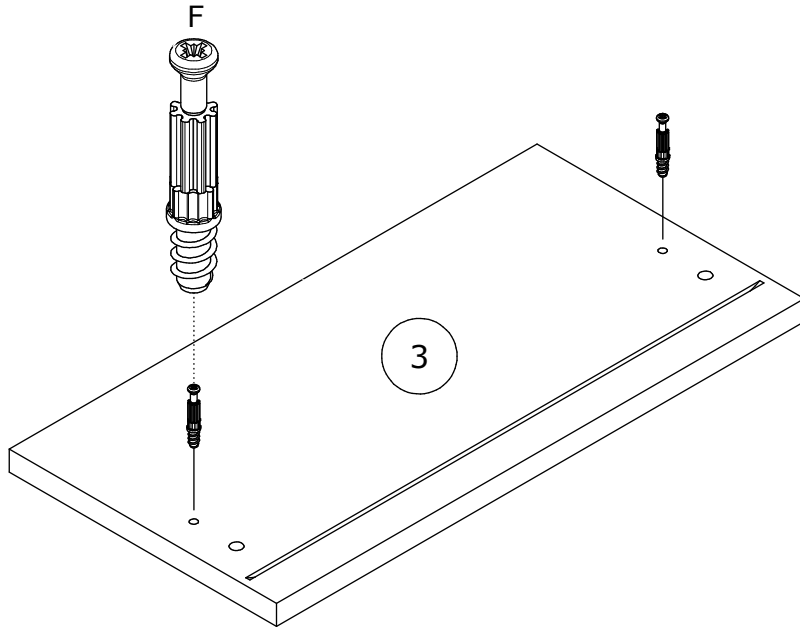
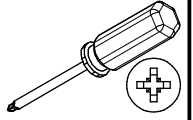
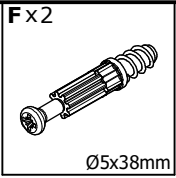
Ox2



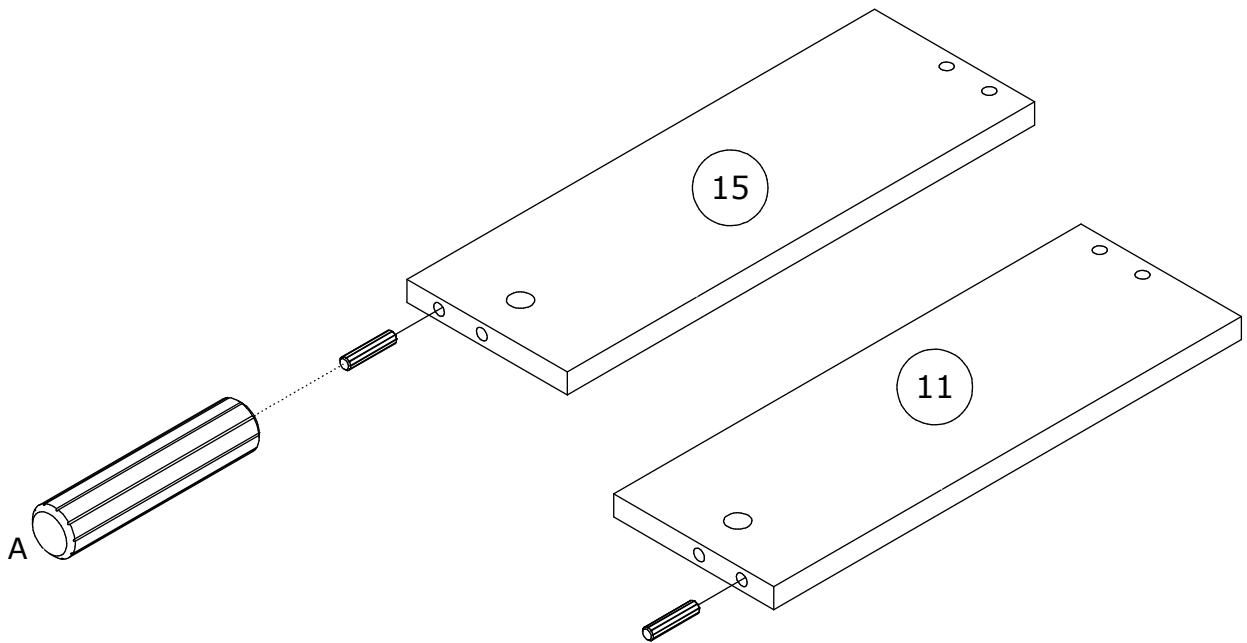
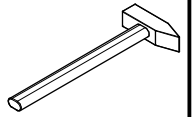
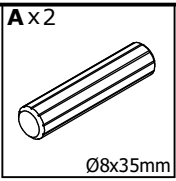
Ø4x30mm



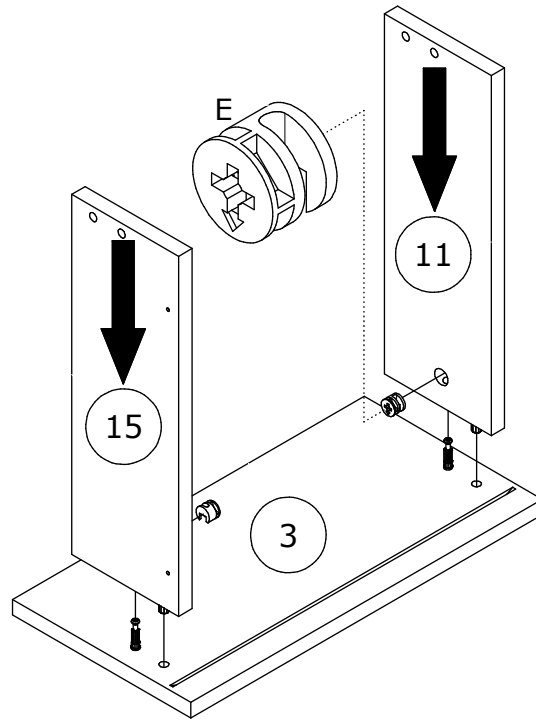
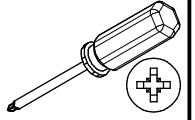
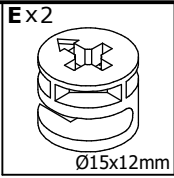
19



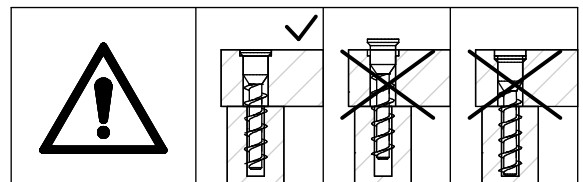
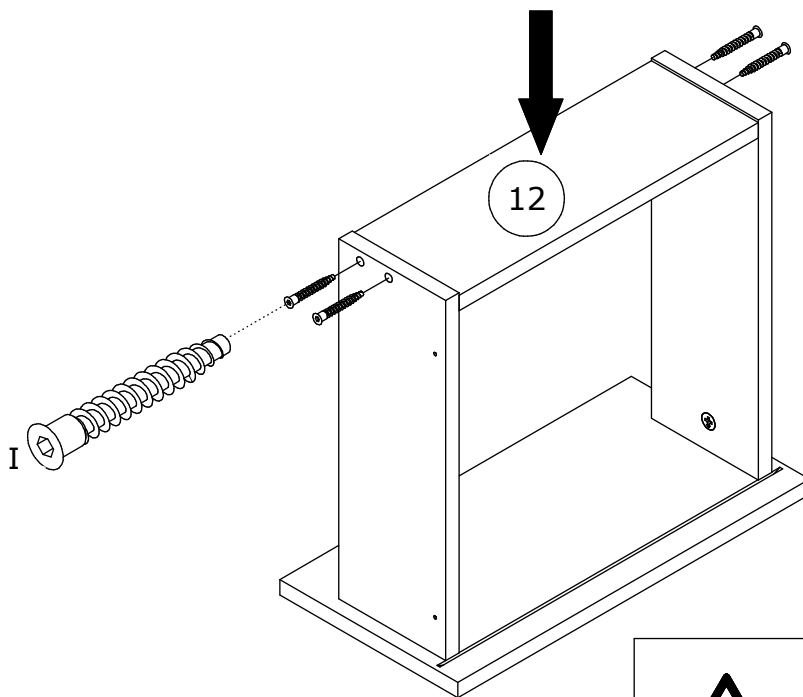
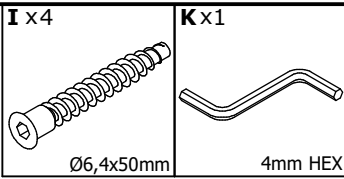
20



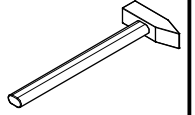
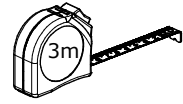
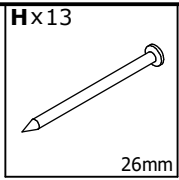
21



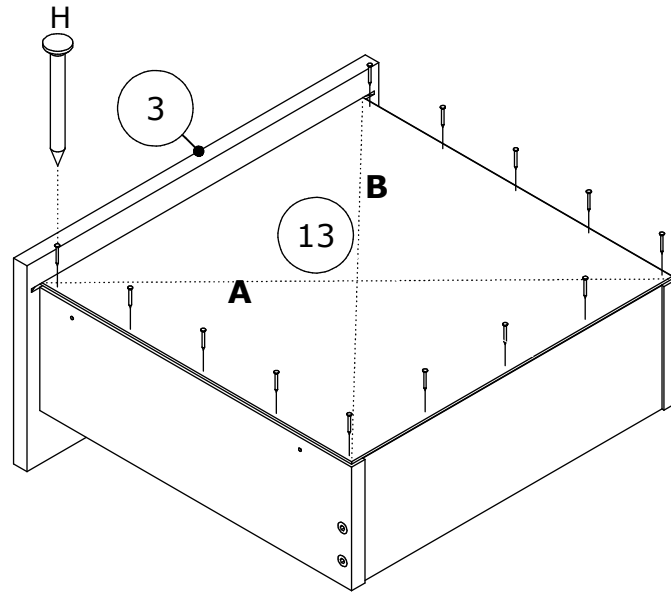
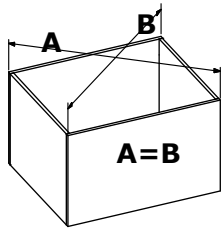
22



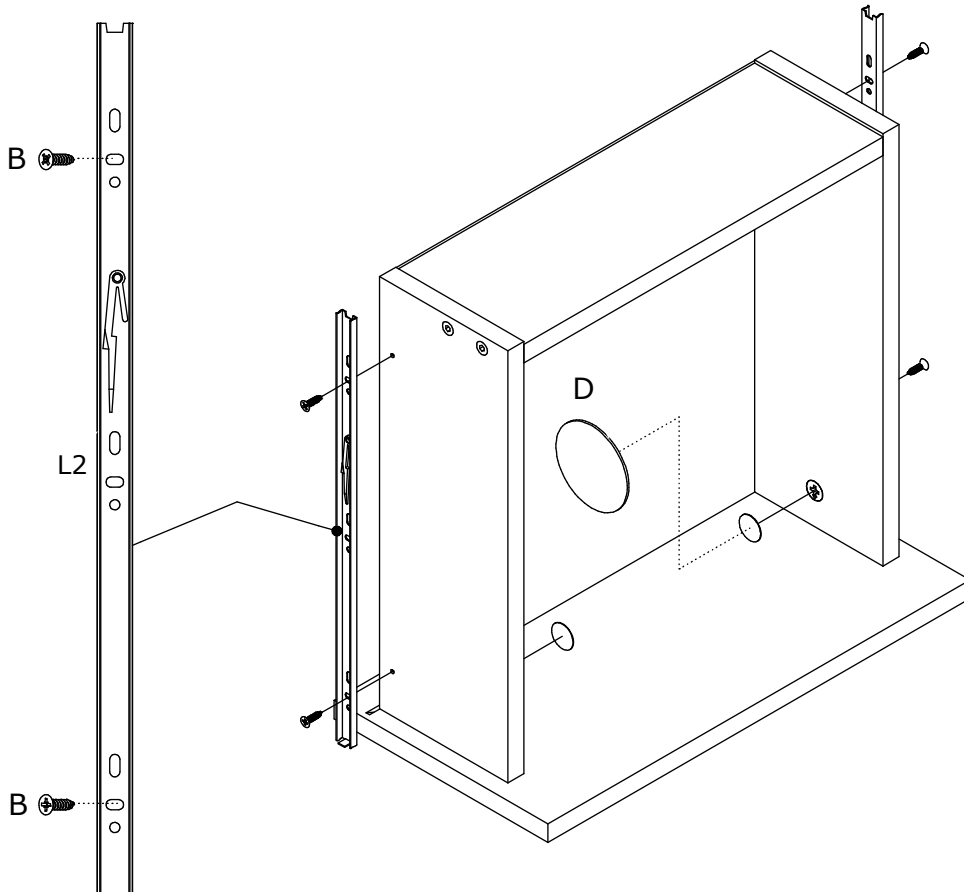
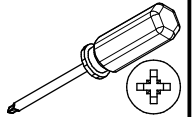
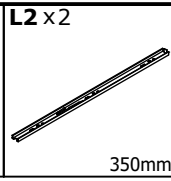
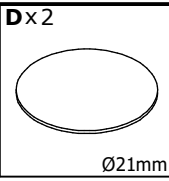
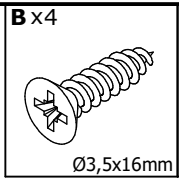
23



$A=B \equiv 90^\circ$

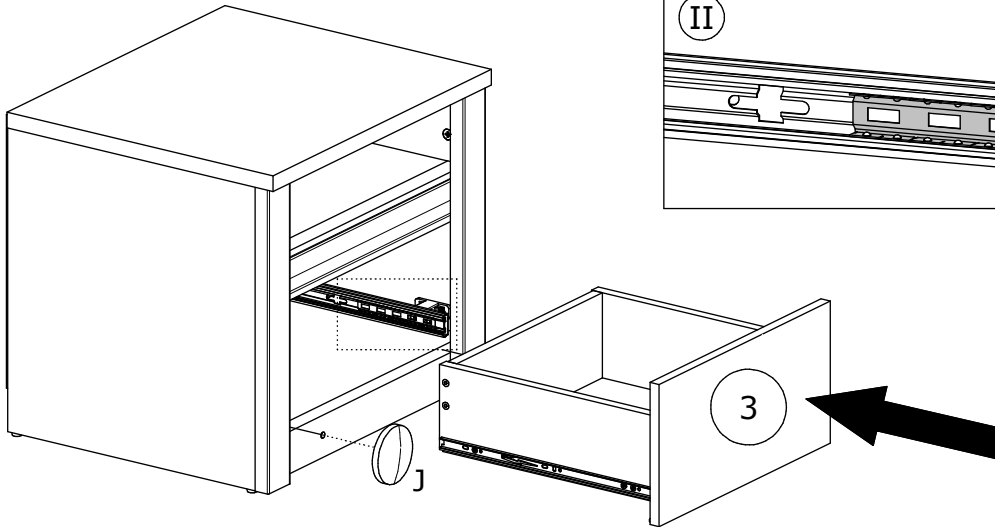
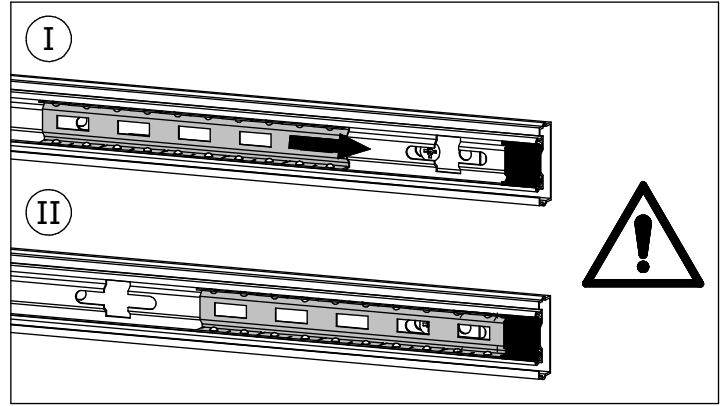
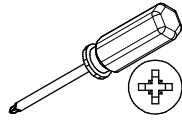


24



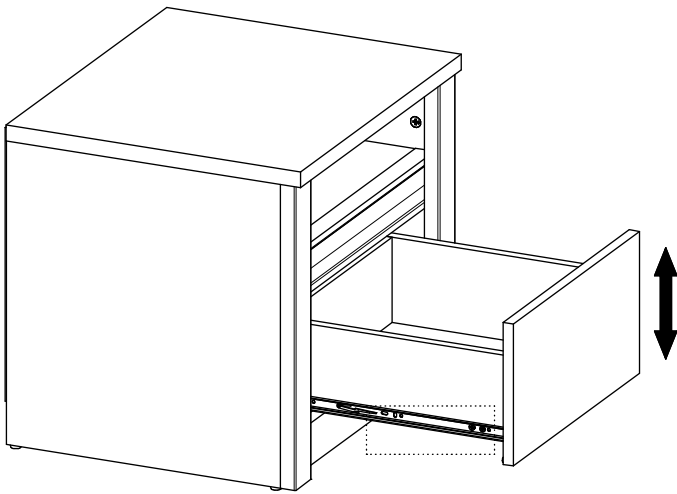
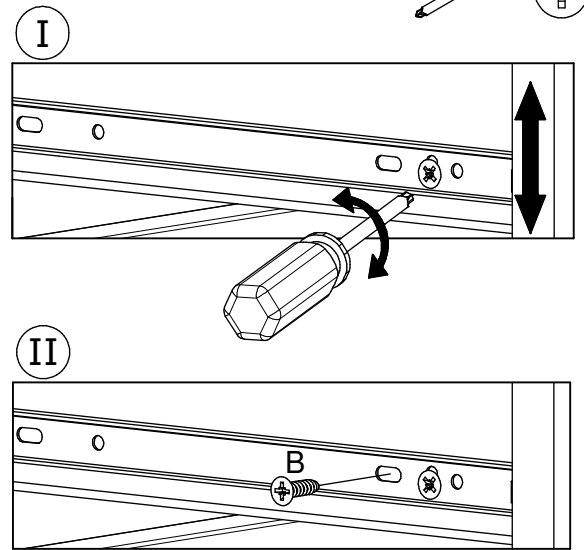
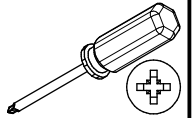
25

J x 2
Ø8x1,5mm



26

B x 2
Ø3,5x16mm



27

D x 6
Ø21mm

