
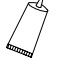
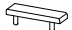
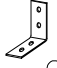

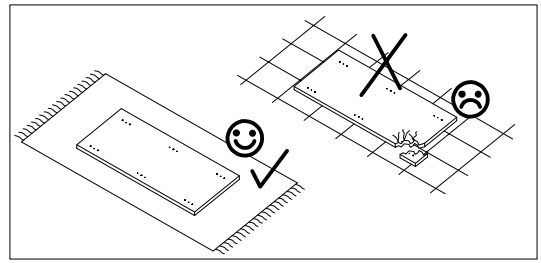
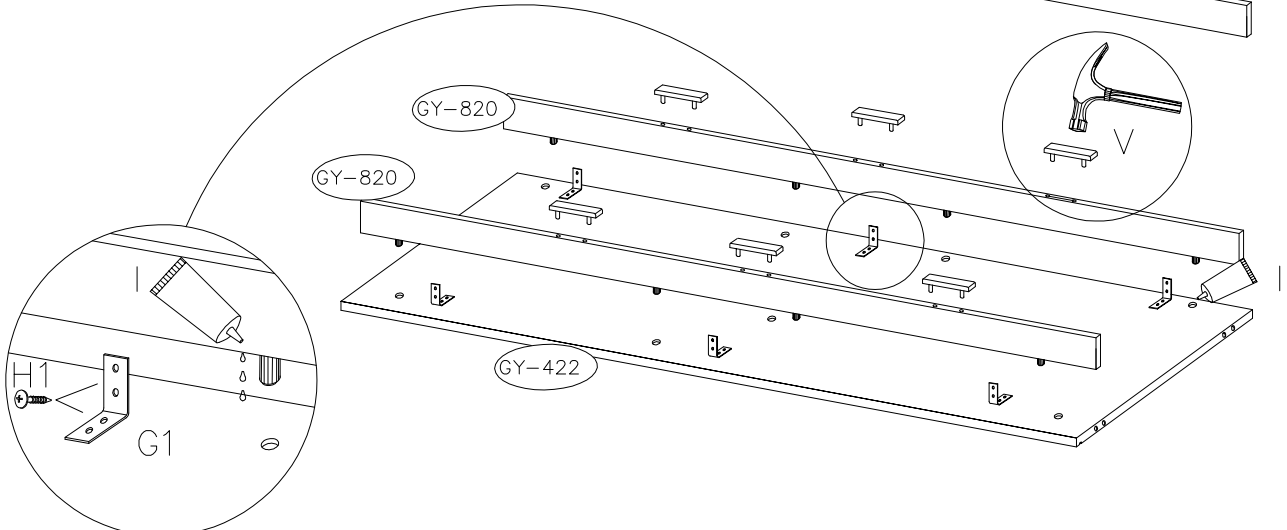
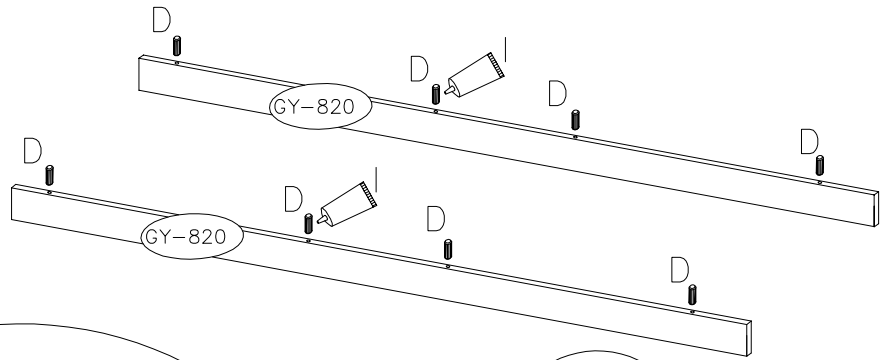




A	B	C	D	F	G	H	I	J	K	L
16	48	20	24	24	12	12	1	12	4	2
M	N	O	P	R	S	T	U	W	Z	V
1	6	12	2	2	1	2	8	2	2	10
A1	B1	PCV C1	D1	E1	G1	H1	I1	J1	K1	L1
1	1	1	5	2	6	24	2	2	18	2
P1	Z1	V1	Q1	J2	D5					
32	1	2	2	12	2					

8.0x30  D	 I	 V	 G1	3.5x13  H1
8	1	6	6	24

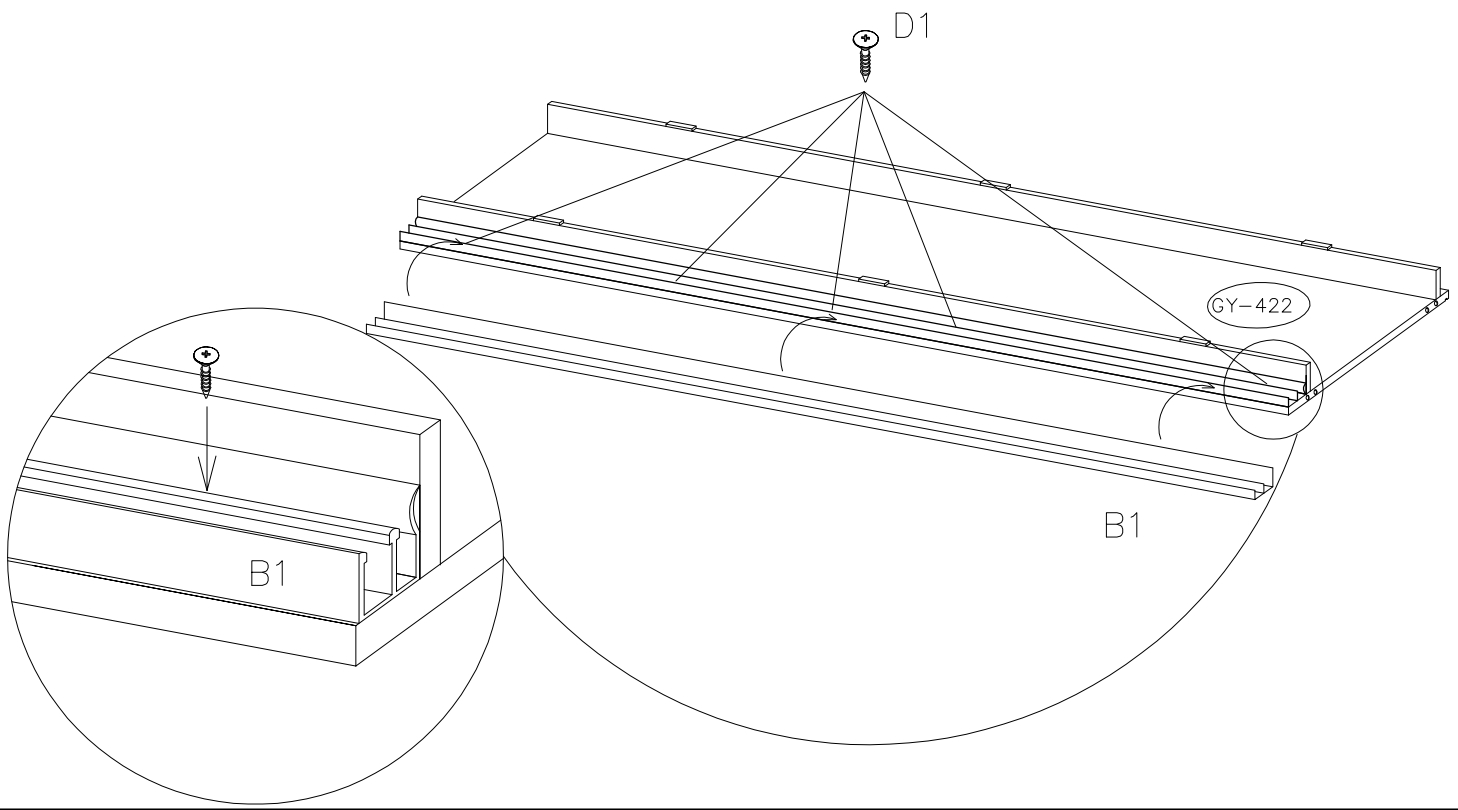




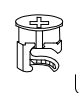
1

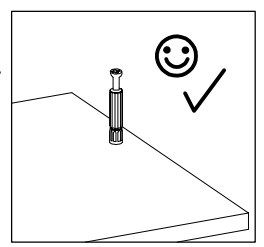
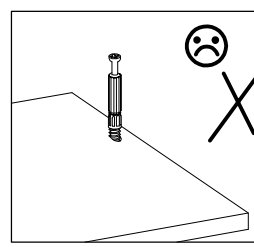
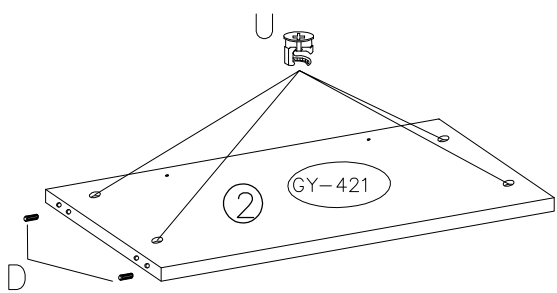
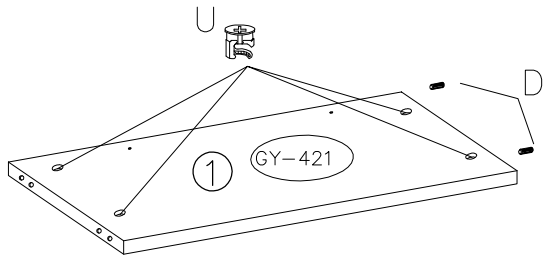
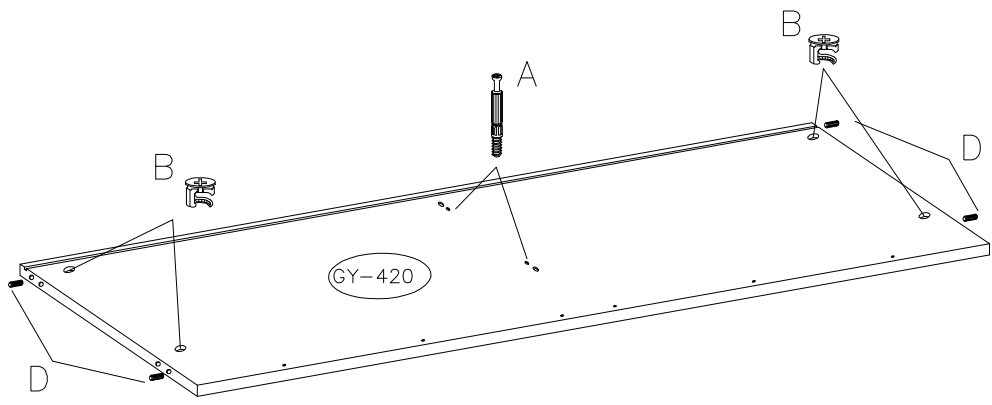
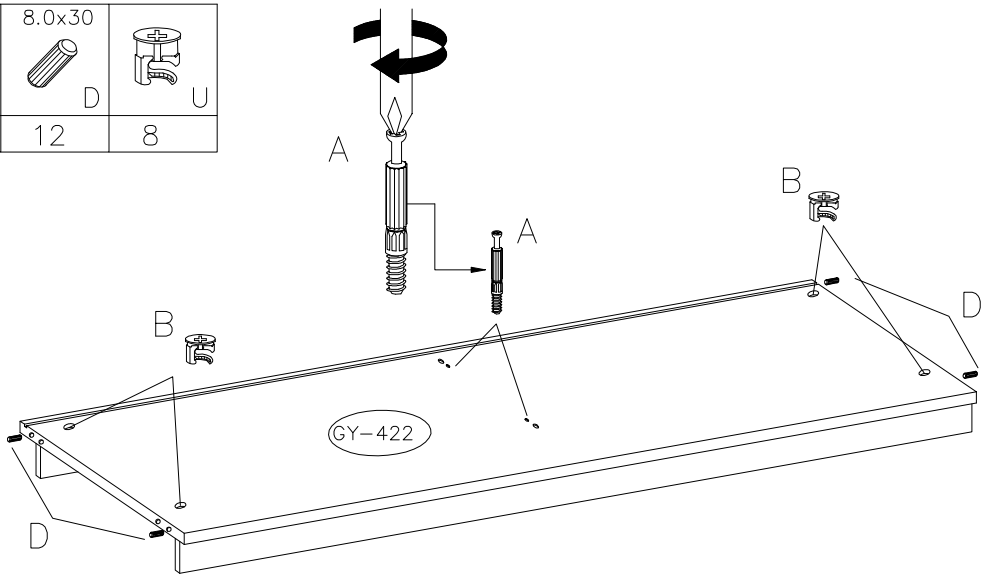






 B1	3.5x16  D1
1	5

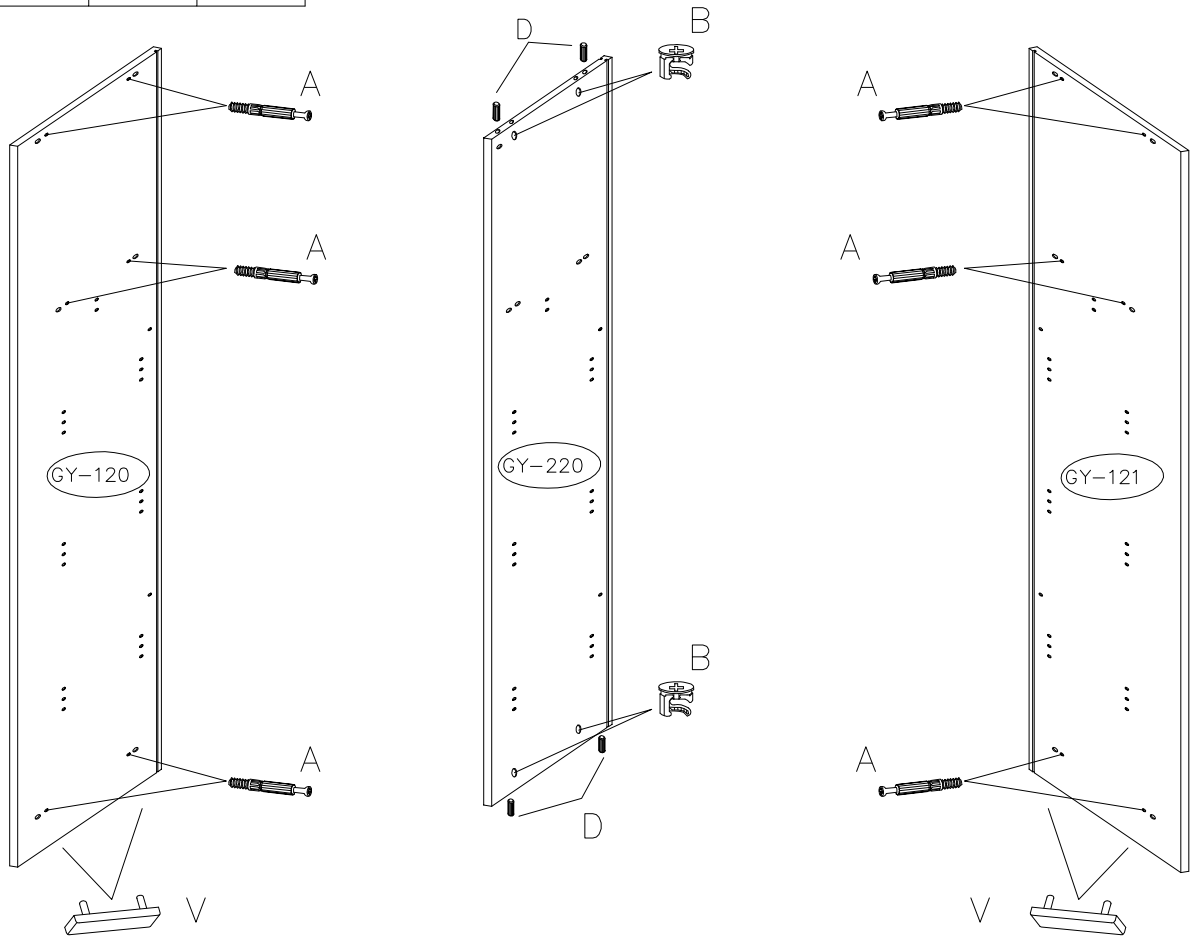
2

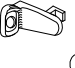



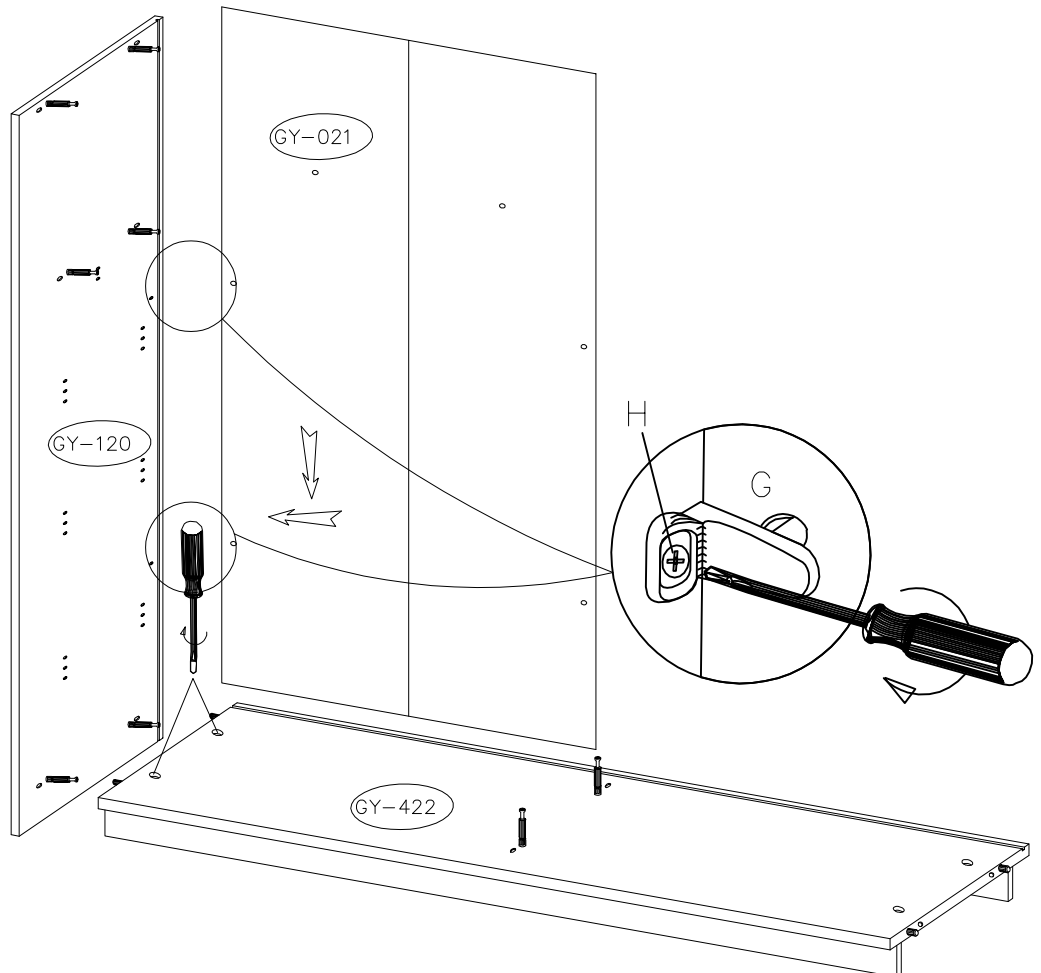
		8.0x30	
A	B	D	U
4	8	12	8





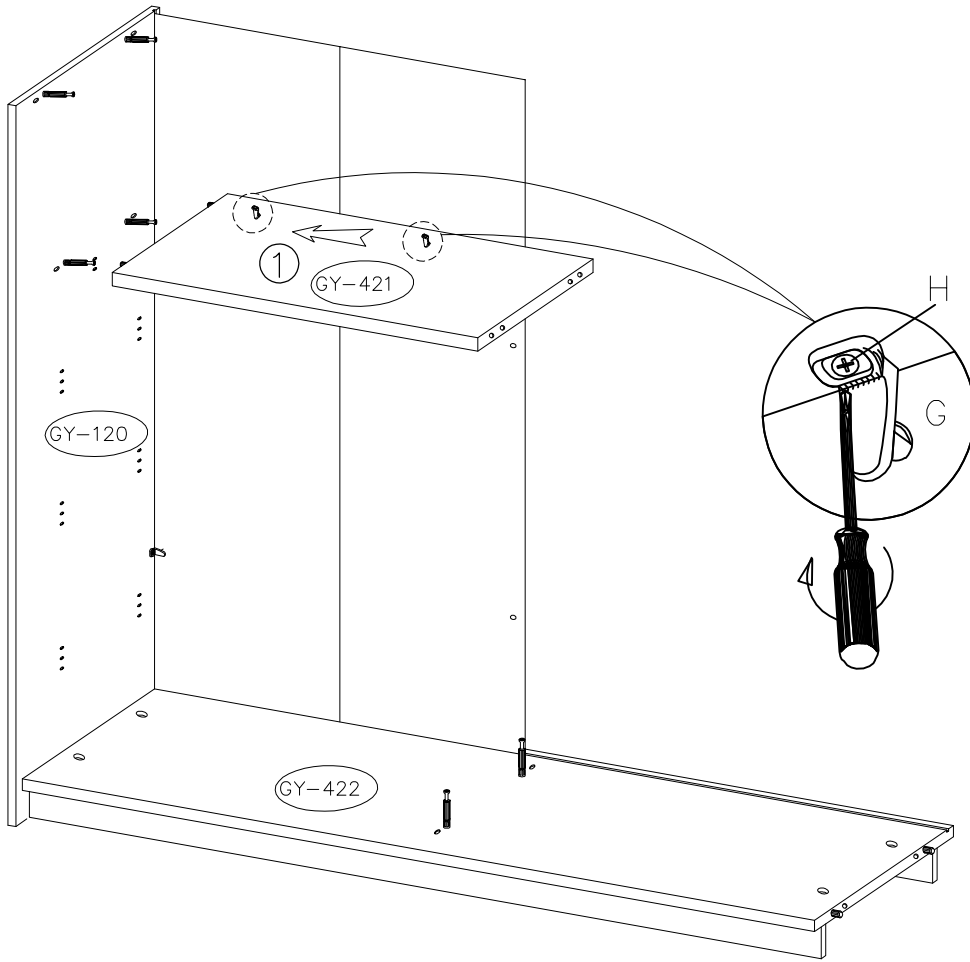
			
A	B	8.0x30	V
12	4	4	4





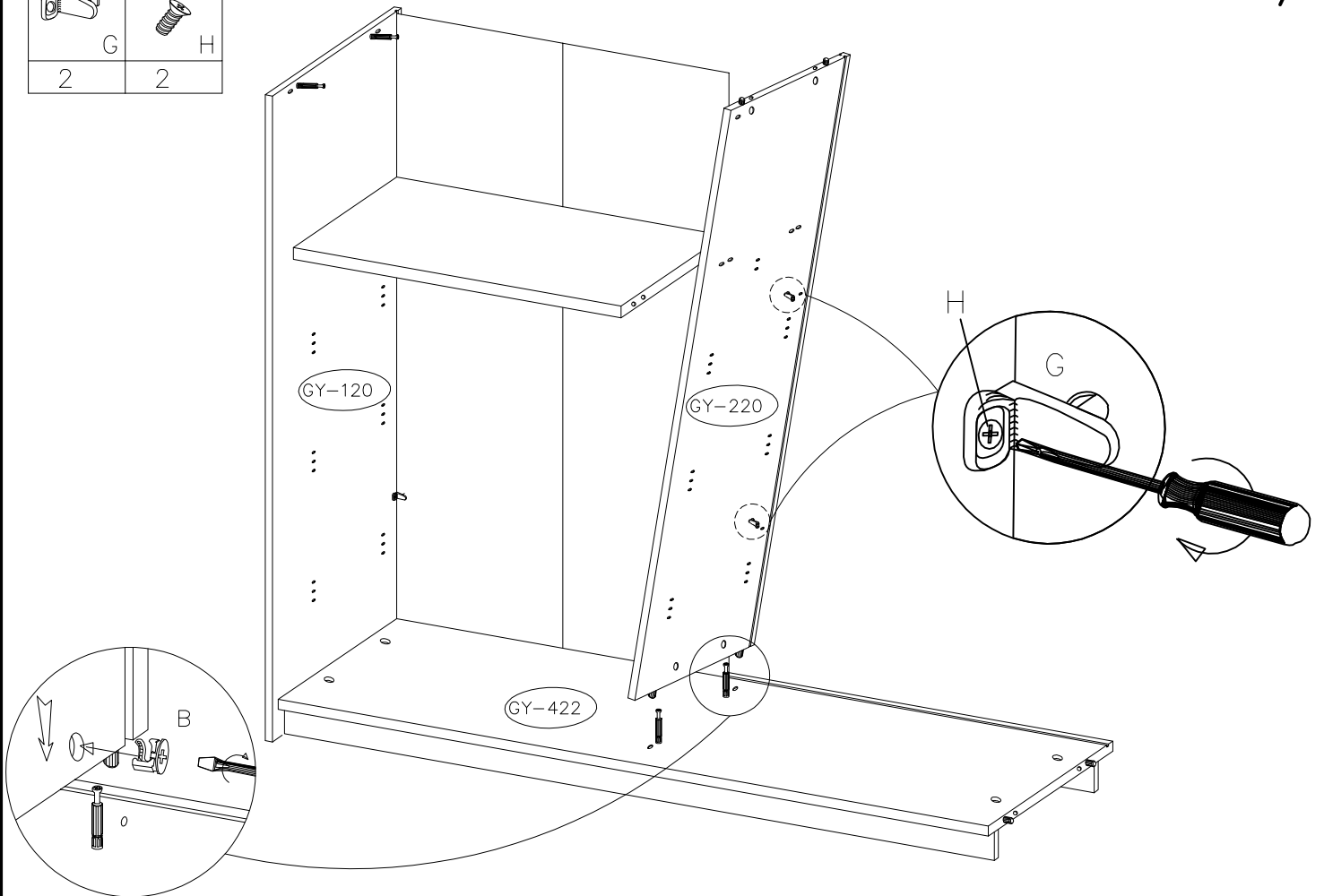
	
G	6.3x11
2	2

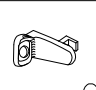


6.3x11	
	
G	H
2	2

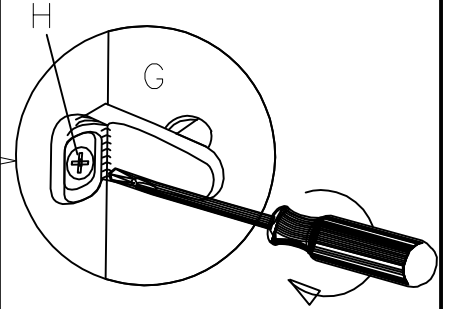
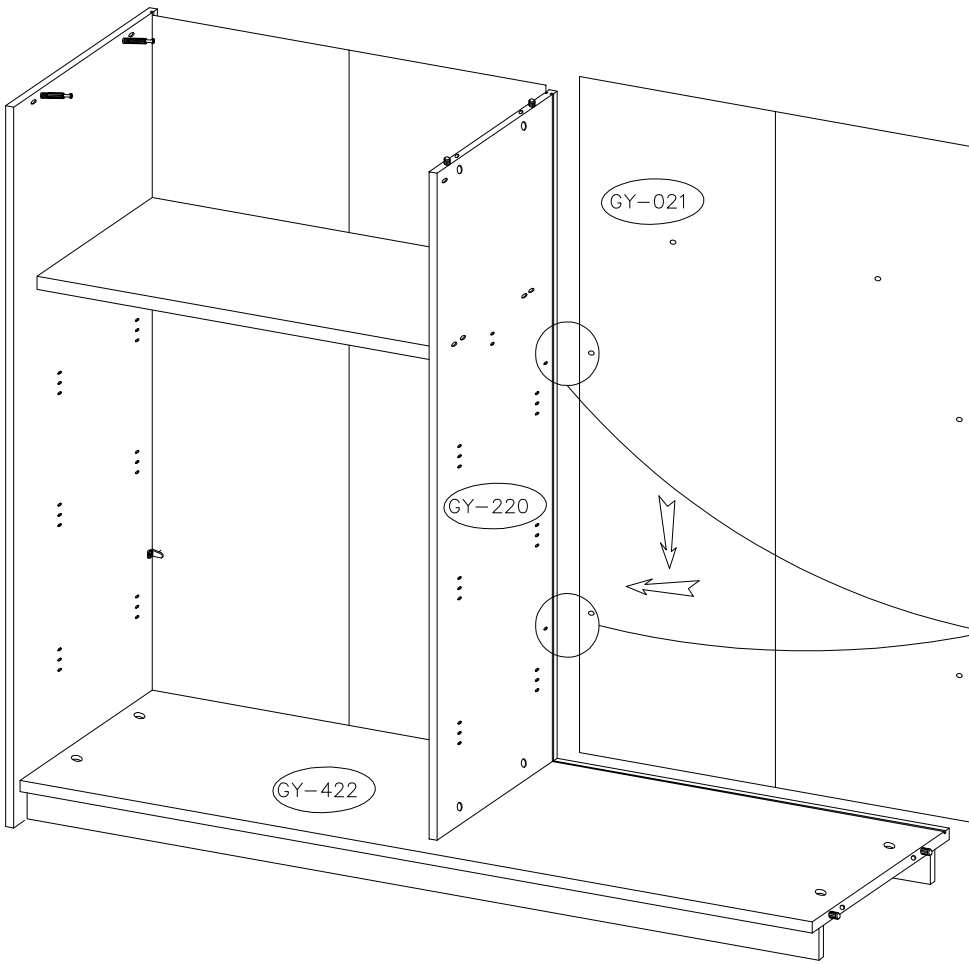




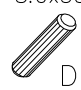
6.3x11	
	
G	H
2	2



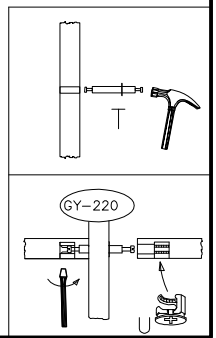
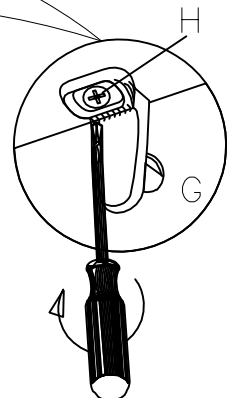
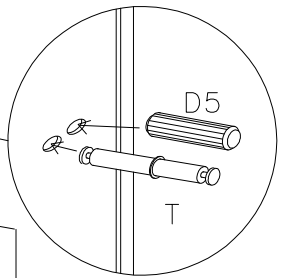
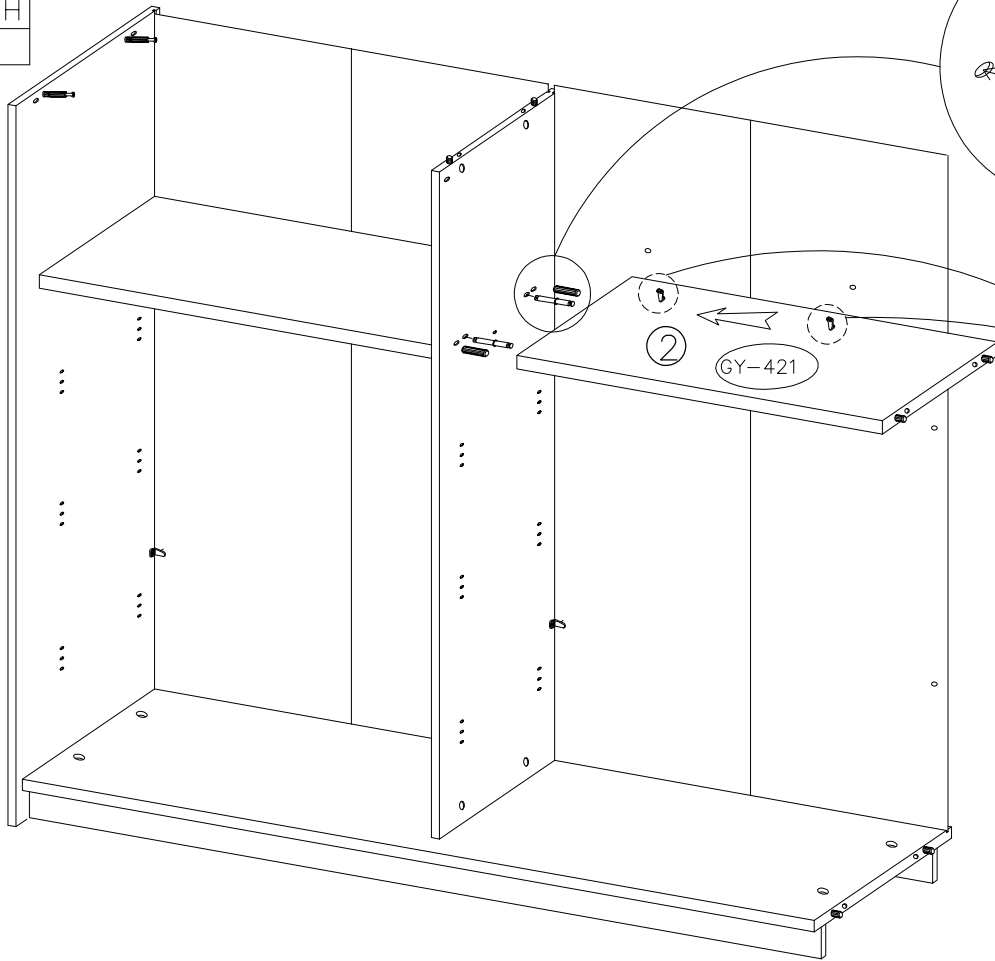
	6.3x11
G	H
2	2

8

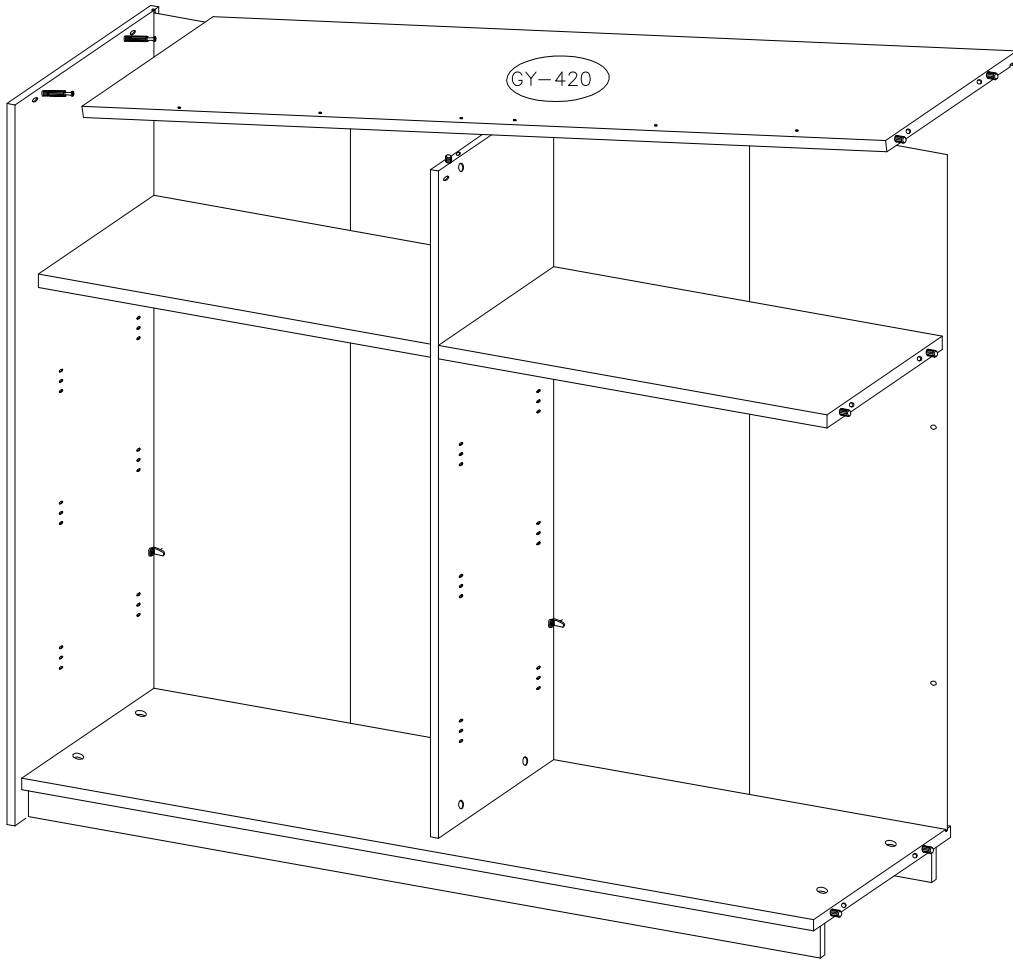


	6.3x11
G	H
2	2
	
2	
8.0x50	
	
2	

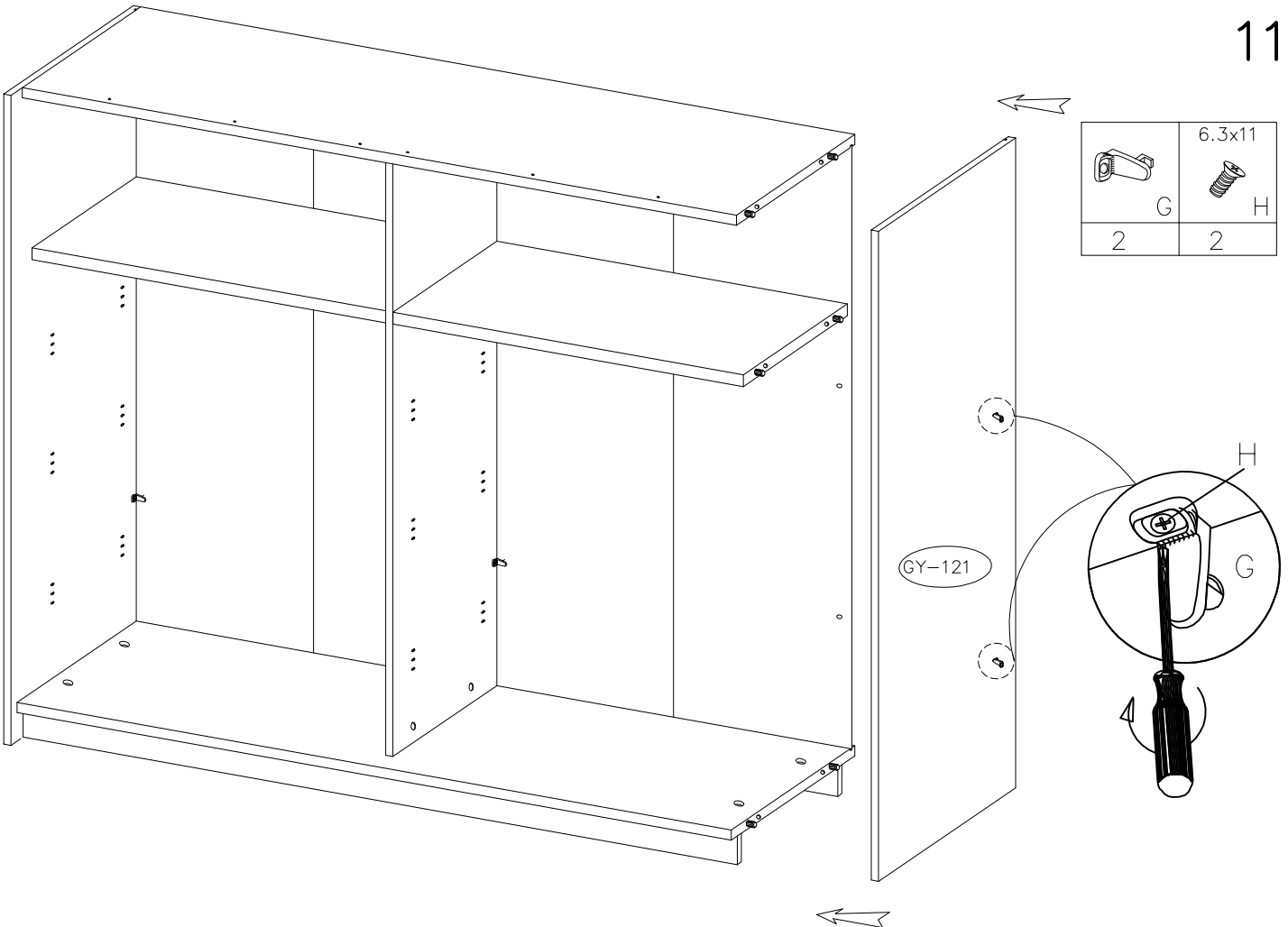
9




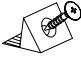

10

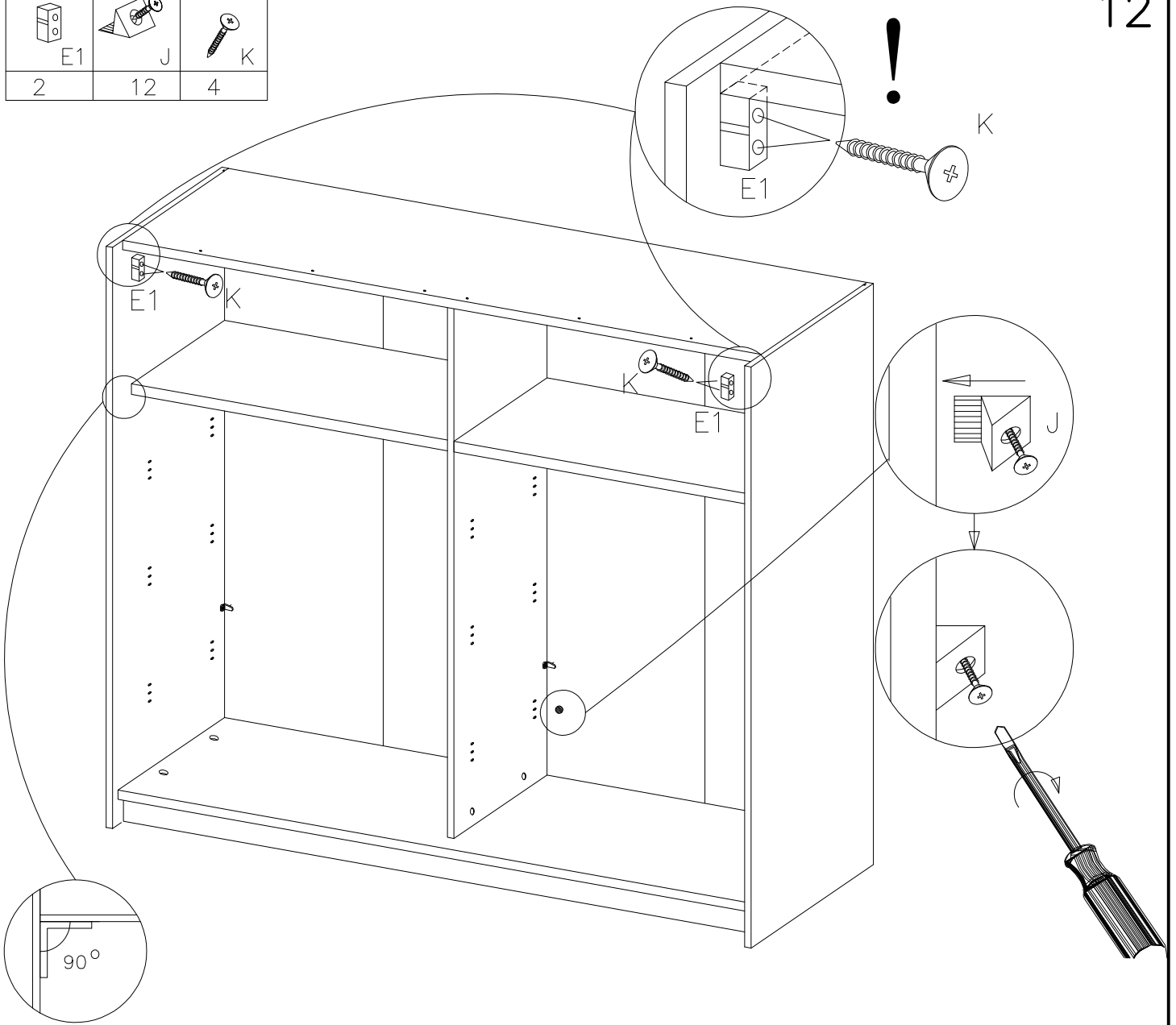


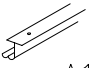
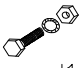

11

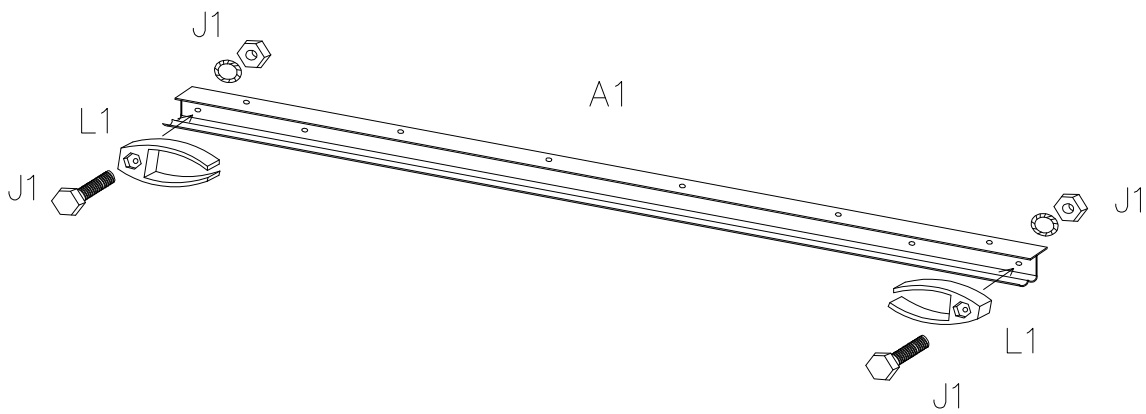






 E1	 J	3.5x25  K
2	12	4

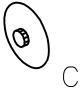


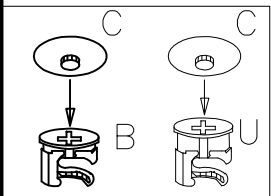
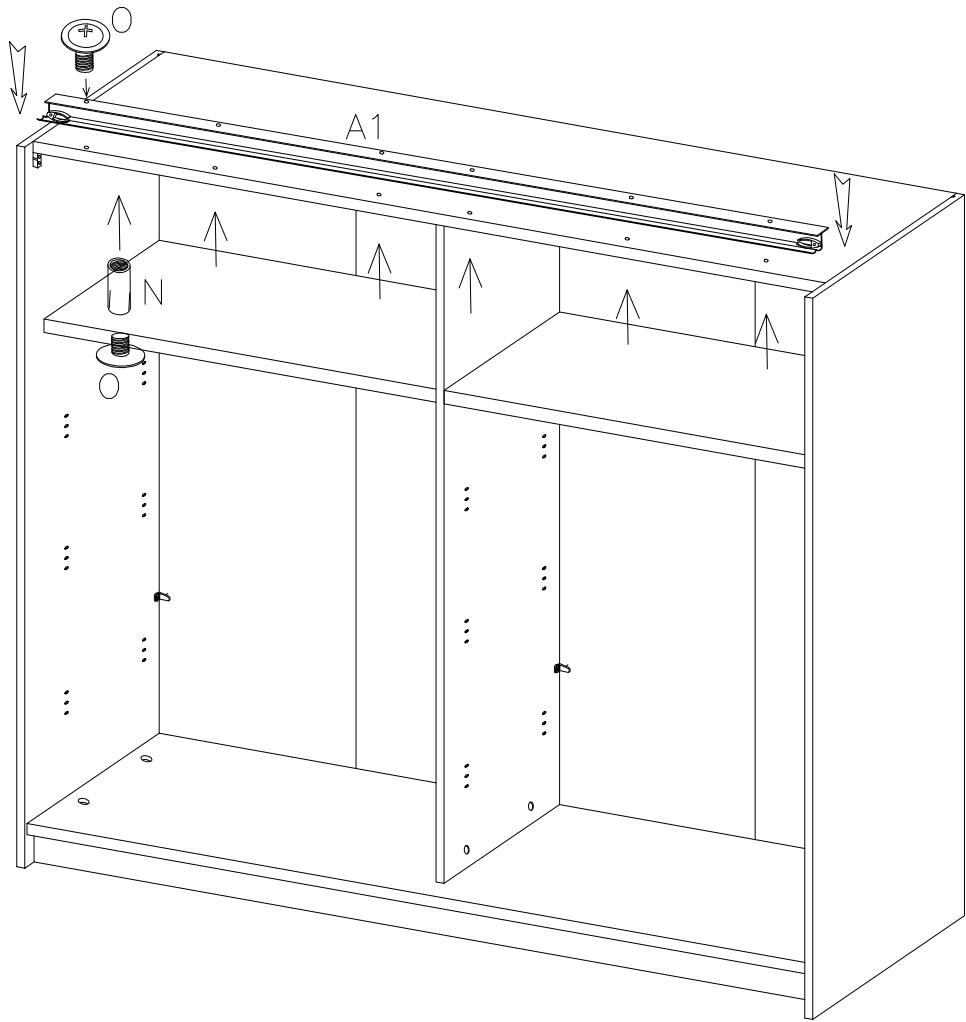
 A1	 J1	 L1
1	2	2



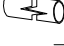


	
N	O
6	12


  

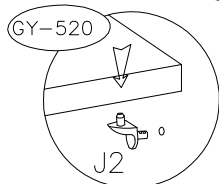
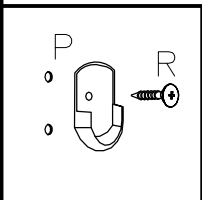
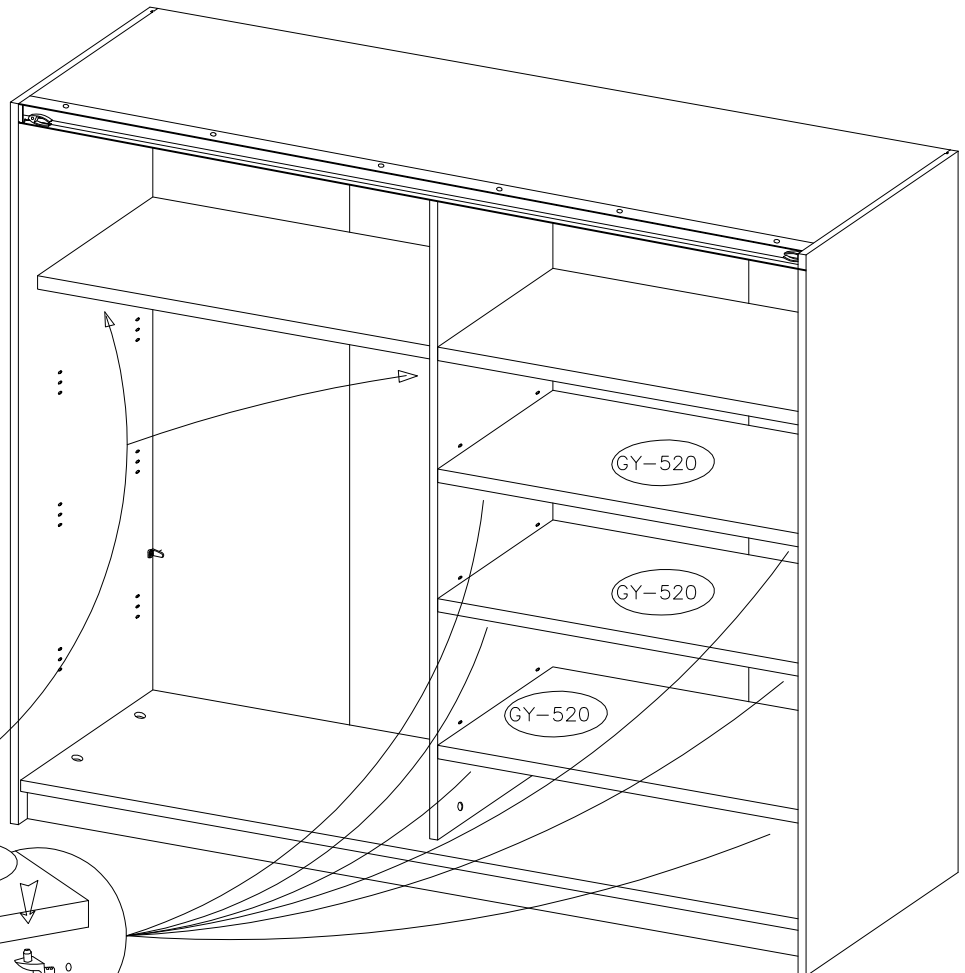
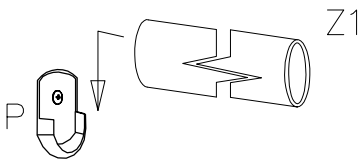

C
20



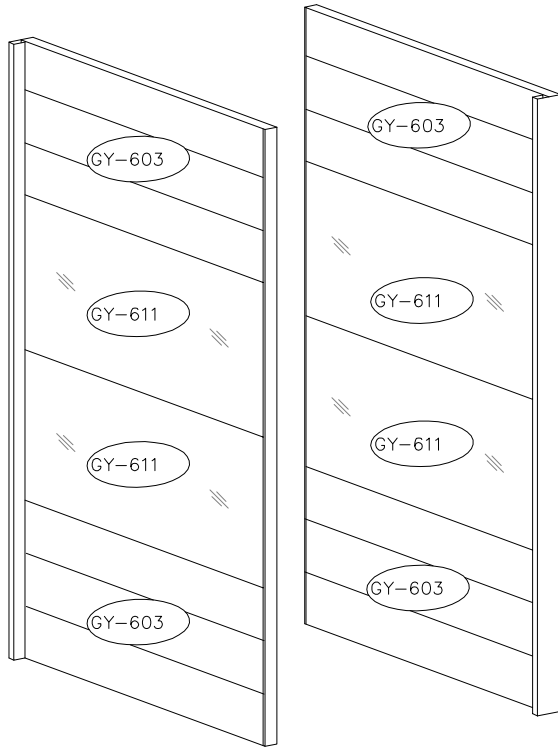
	3.0x13		
P		R	Z1
2	2	1	

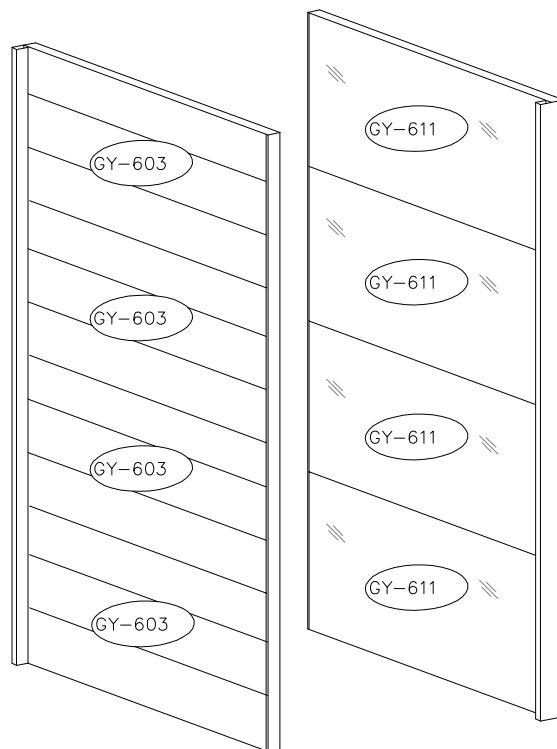

J2
12





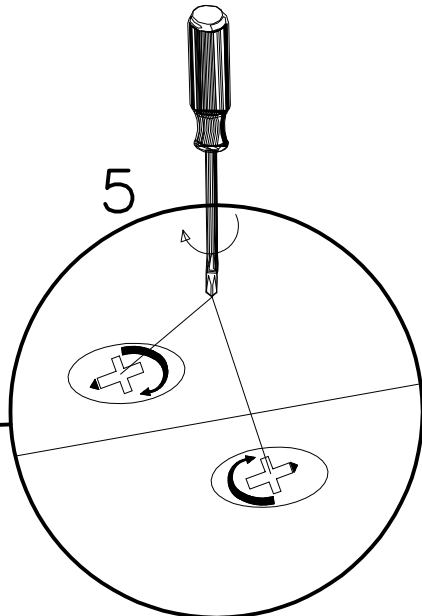
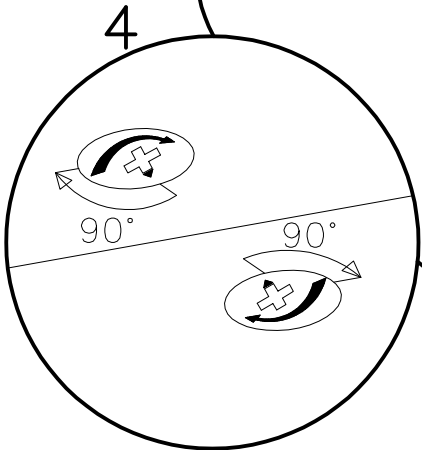
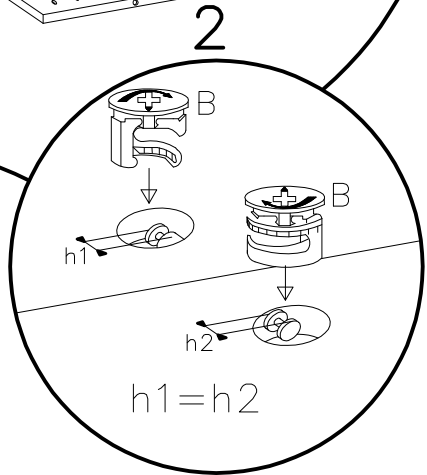
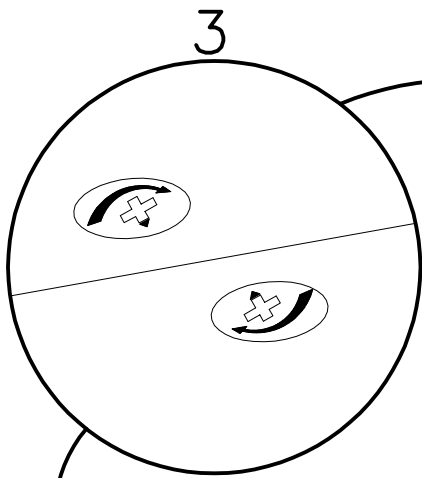
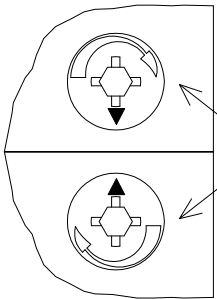
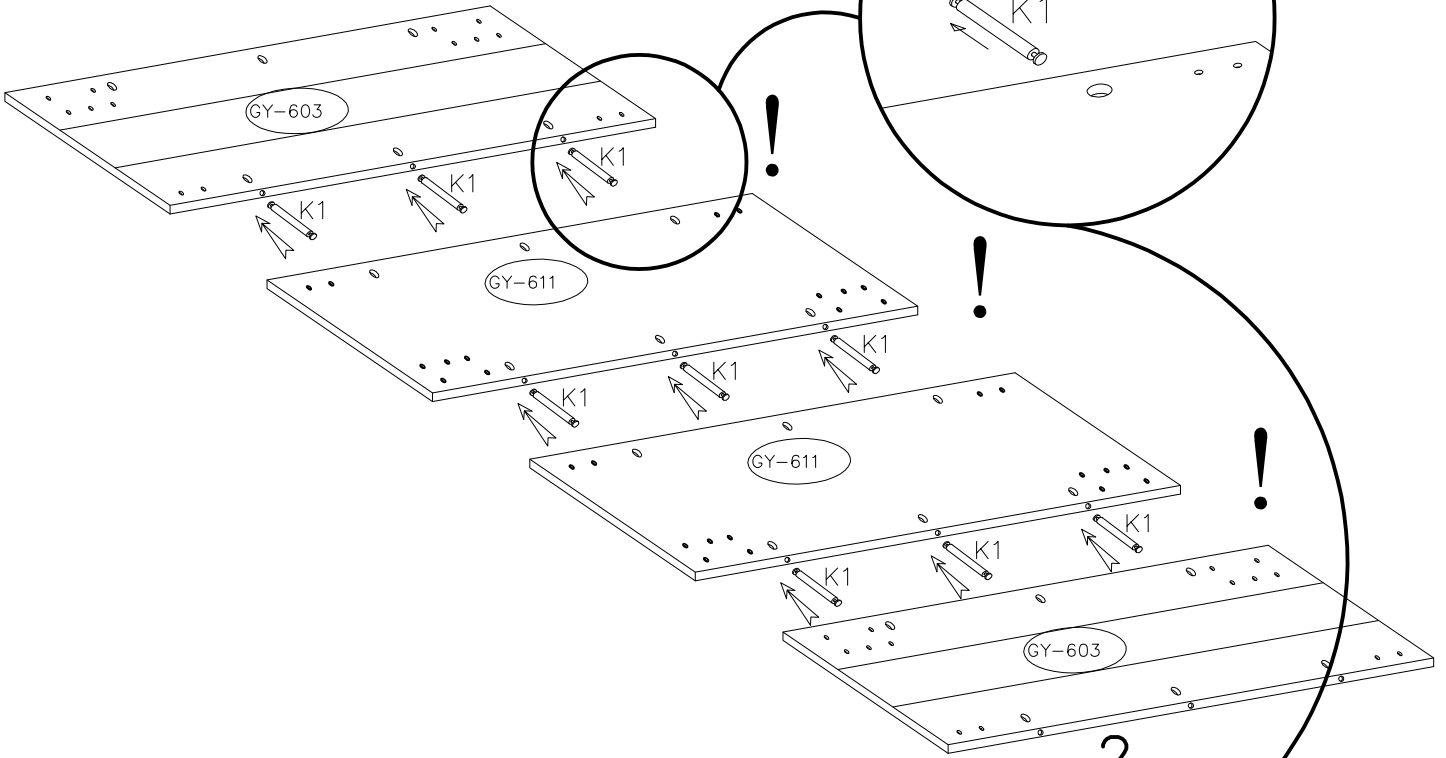
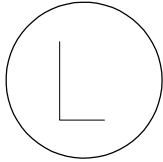
a





b

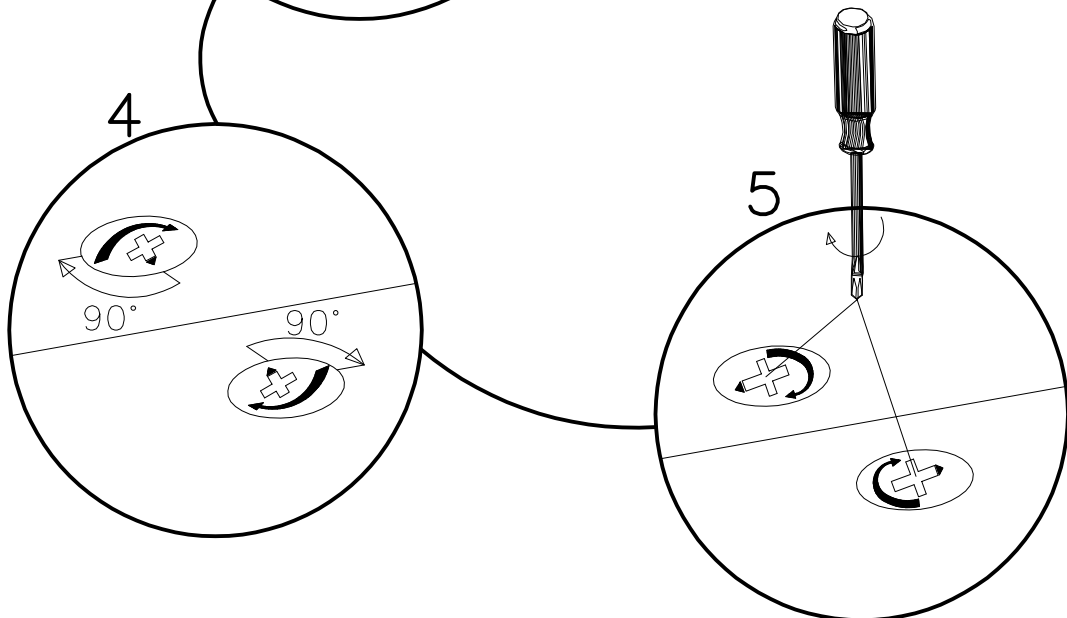
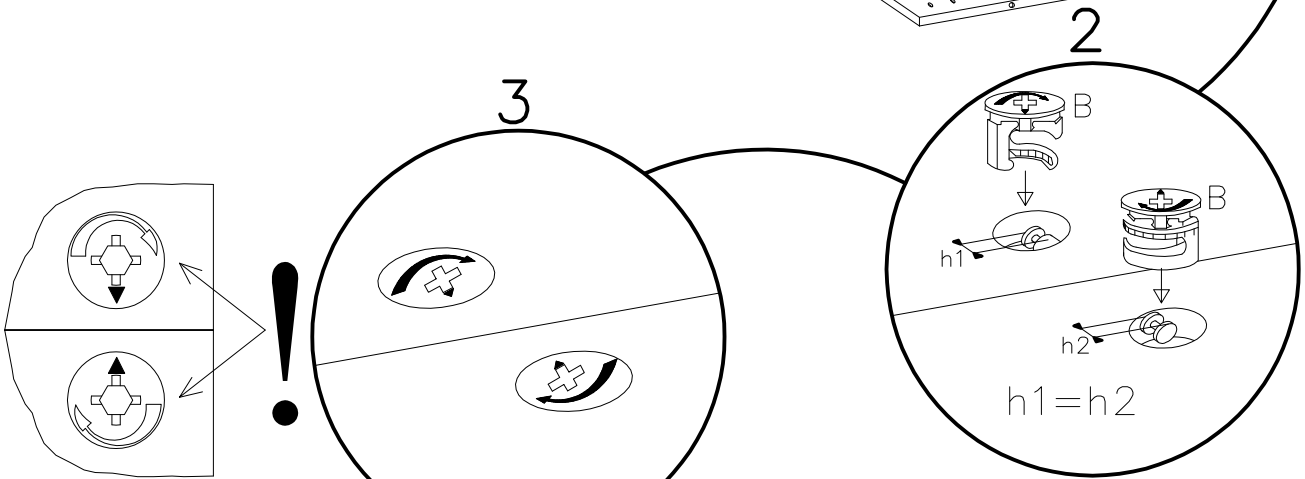
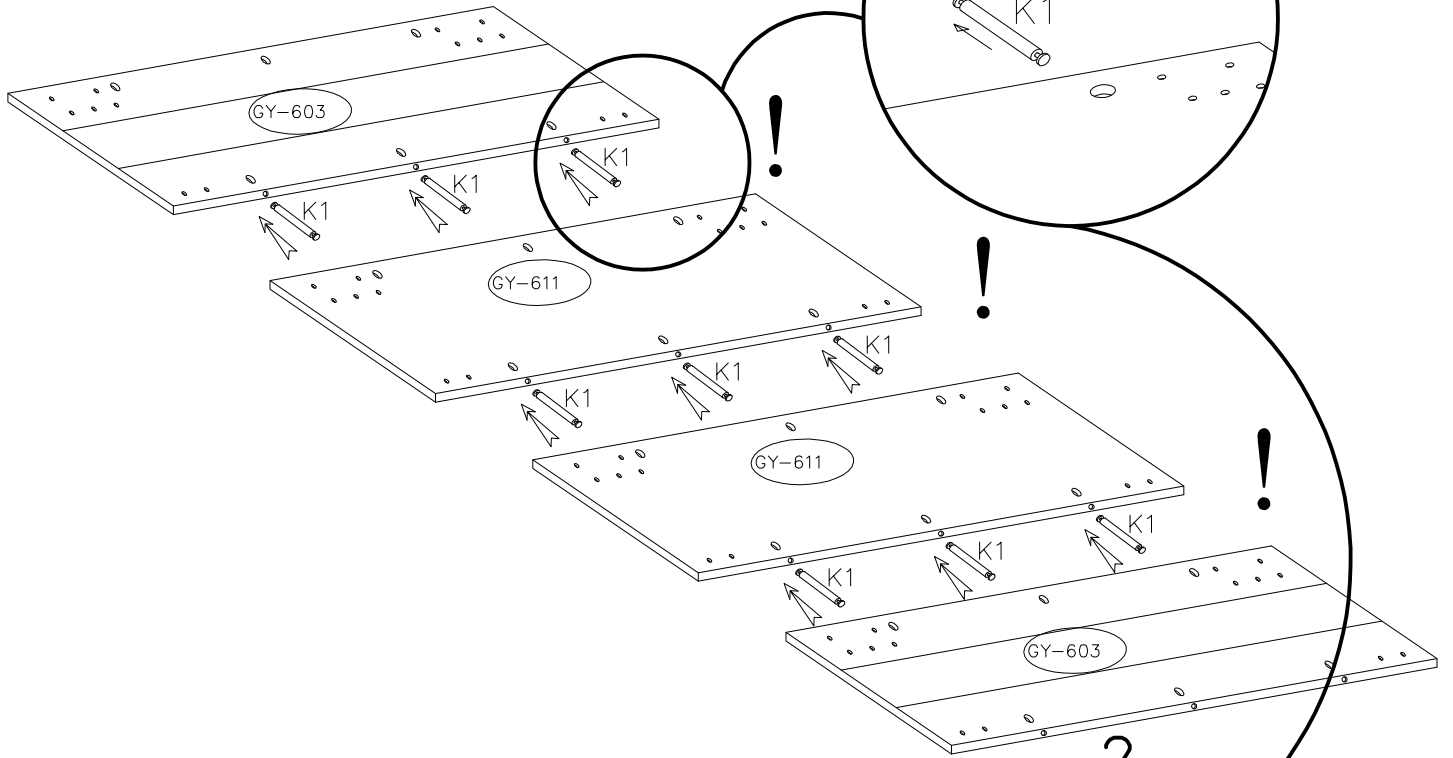
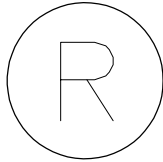


	
B	K1
18	9

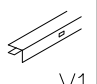
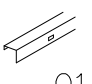



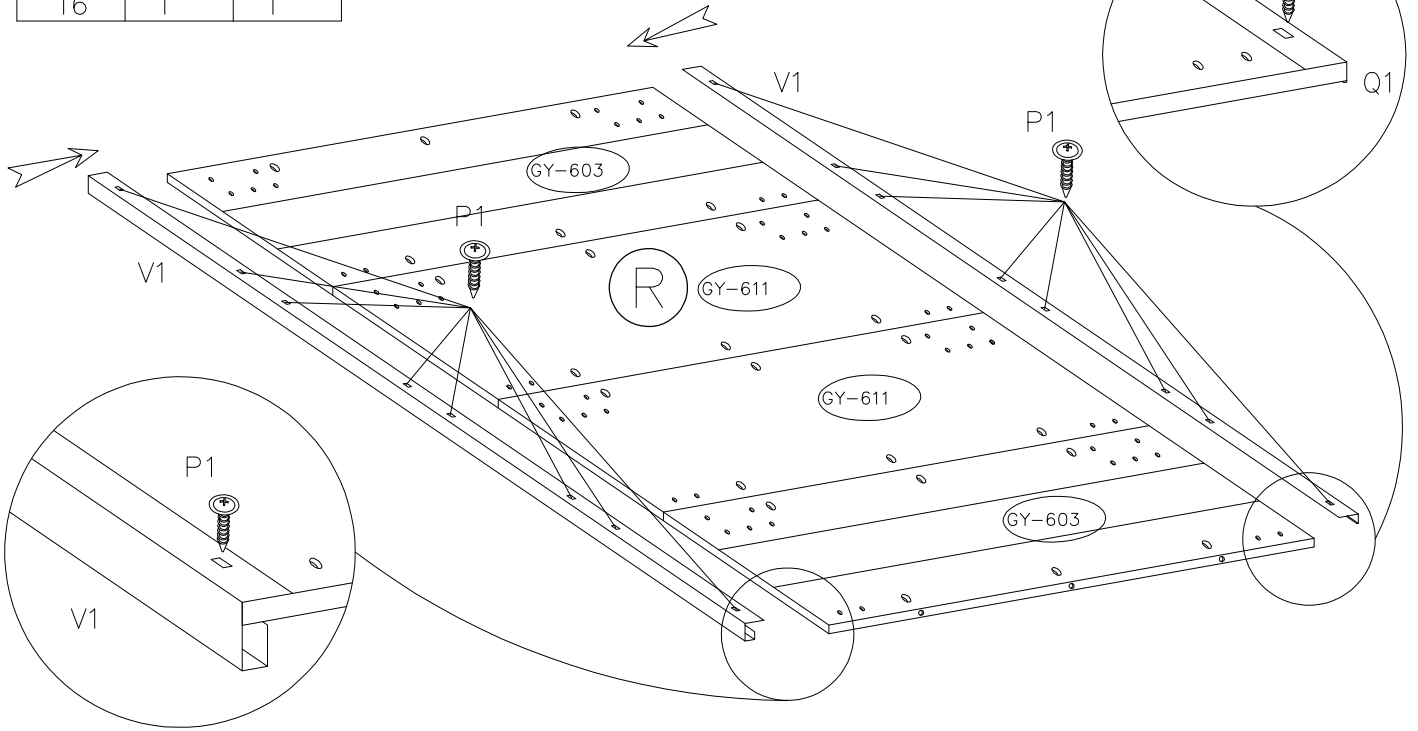
	
B	K1
18	9

17a

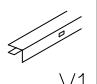
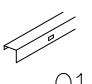



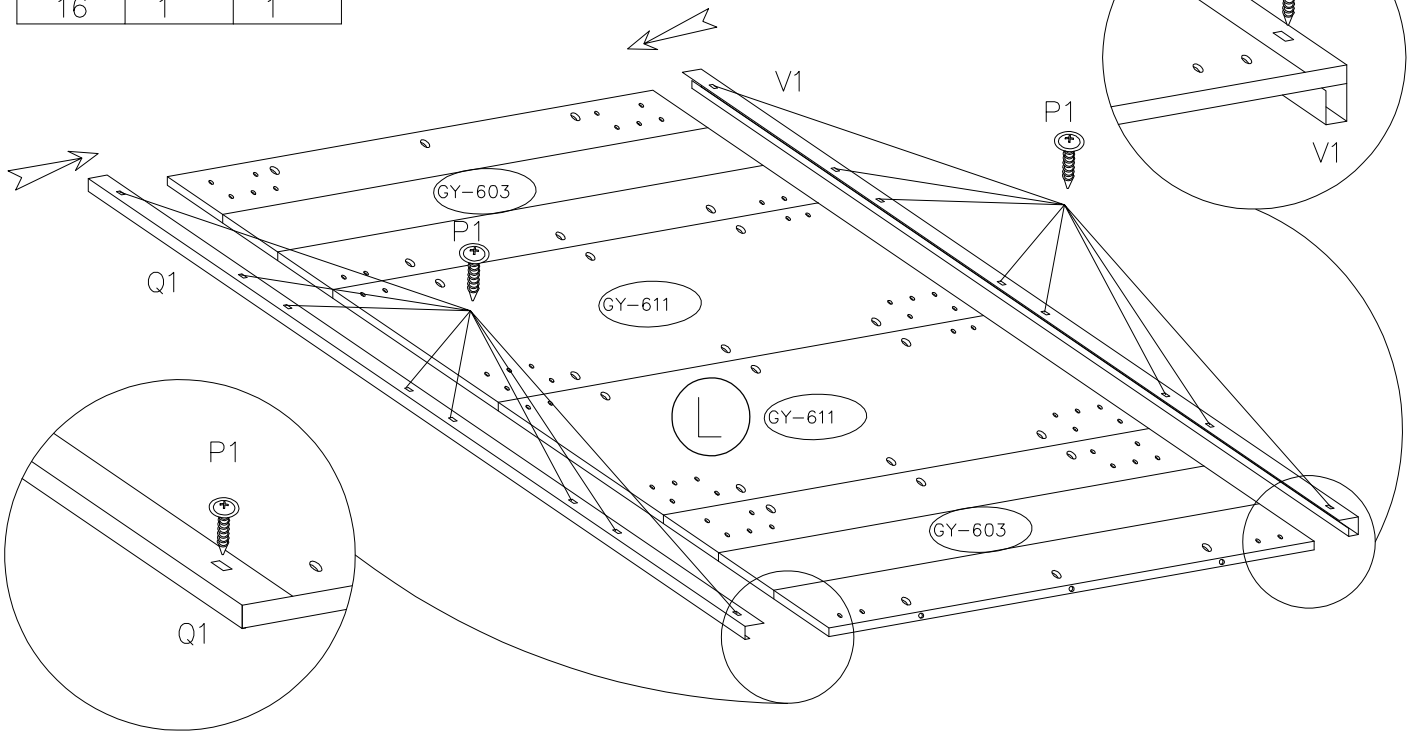
18a

3.5x13		
 P1	V1	Q1
16	1	1

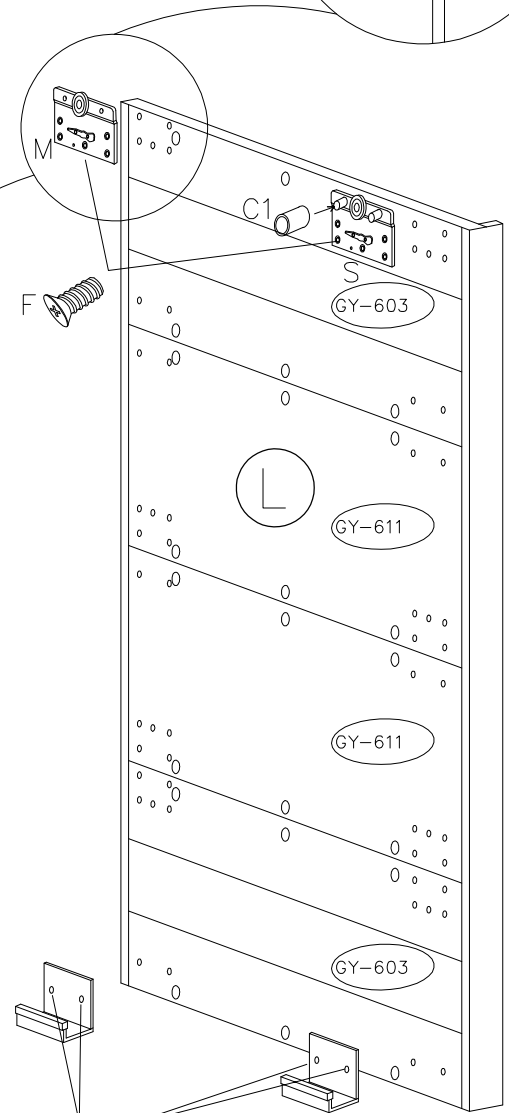
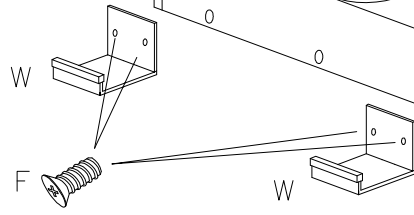
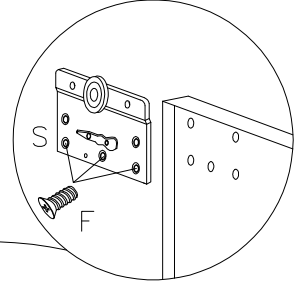
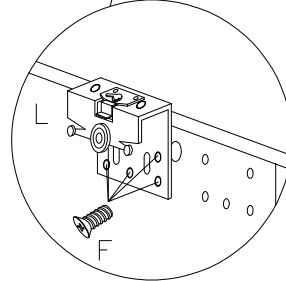
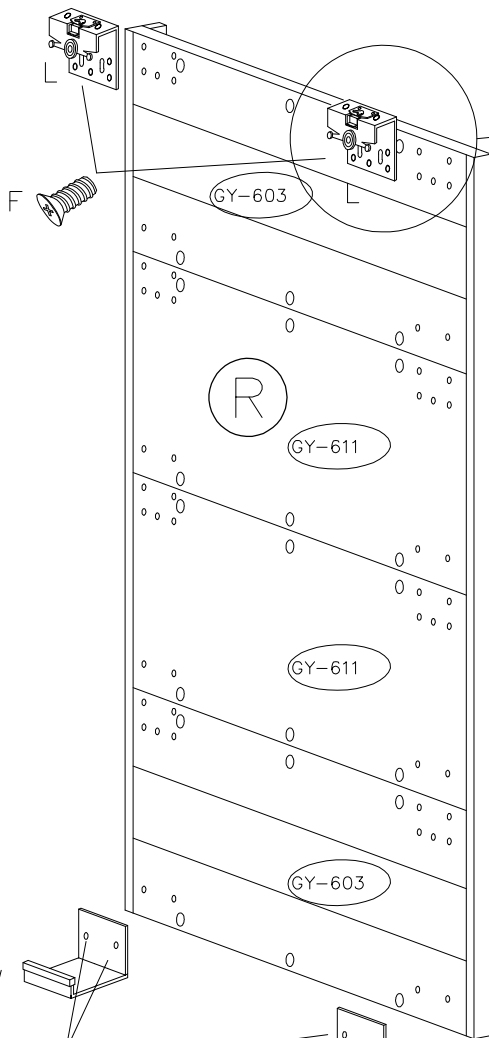


19a

3.5x13		
 P1	V1	Q1
16	1	1



6.3x13 F	L	S	M
24	2	1	1
PCV C1	W	Z	
1	2	2	



L

