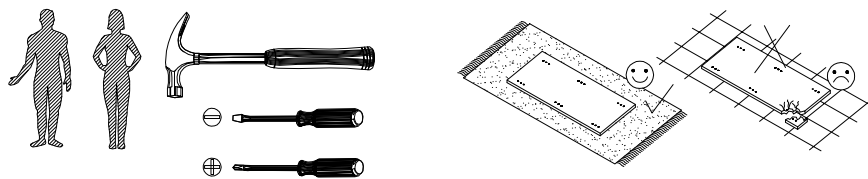


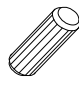




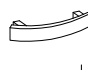











#	ILOSC/QUANTITY	#	ILOSC/QUANTITY
1	1	13	1
2	1	14	1
3	1	15	2
4	1	16	4
5	1		
6	1		
7	4		
8	2		
9	3		
10	1		
11	1		
12	1		

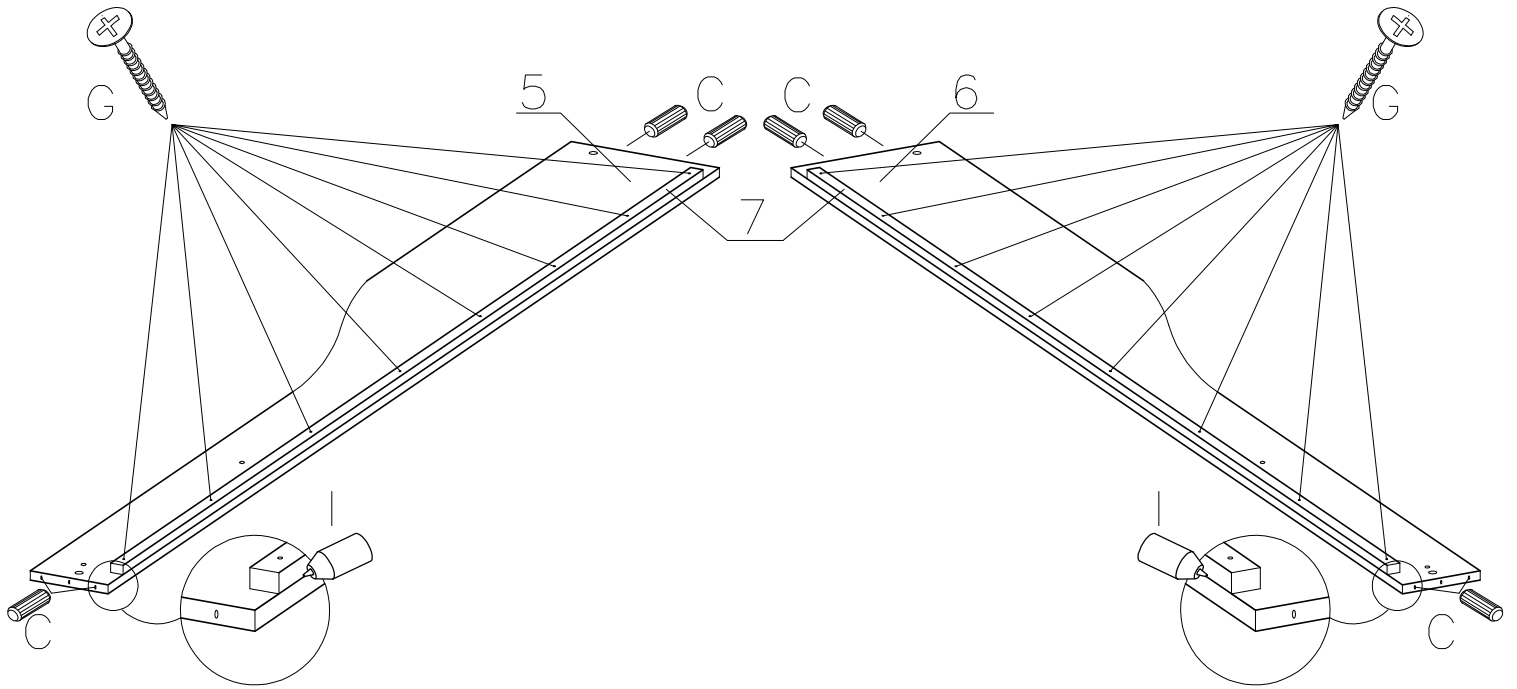


		8.0X35 		3.5X35 		
20	2	32	18	40	2	8
	4.0X27 		4.0X13 			
2	4	4	64	16	16	14



56

28

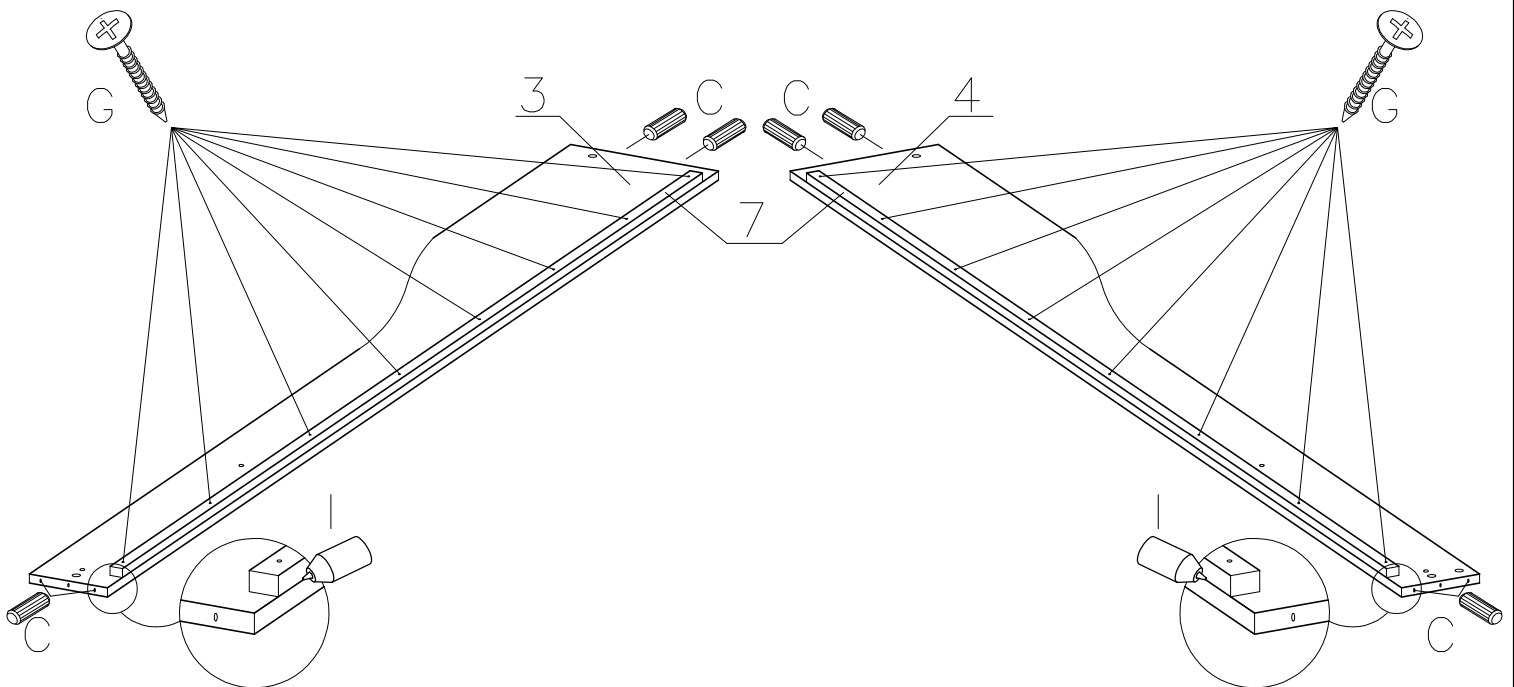
1

	3.5X35	8.0X35
I	G	C
1	16	8





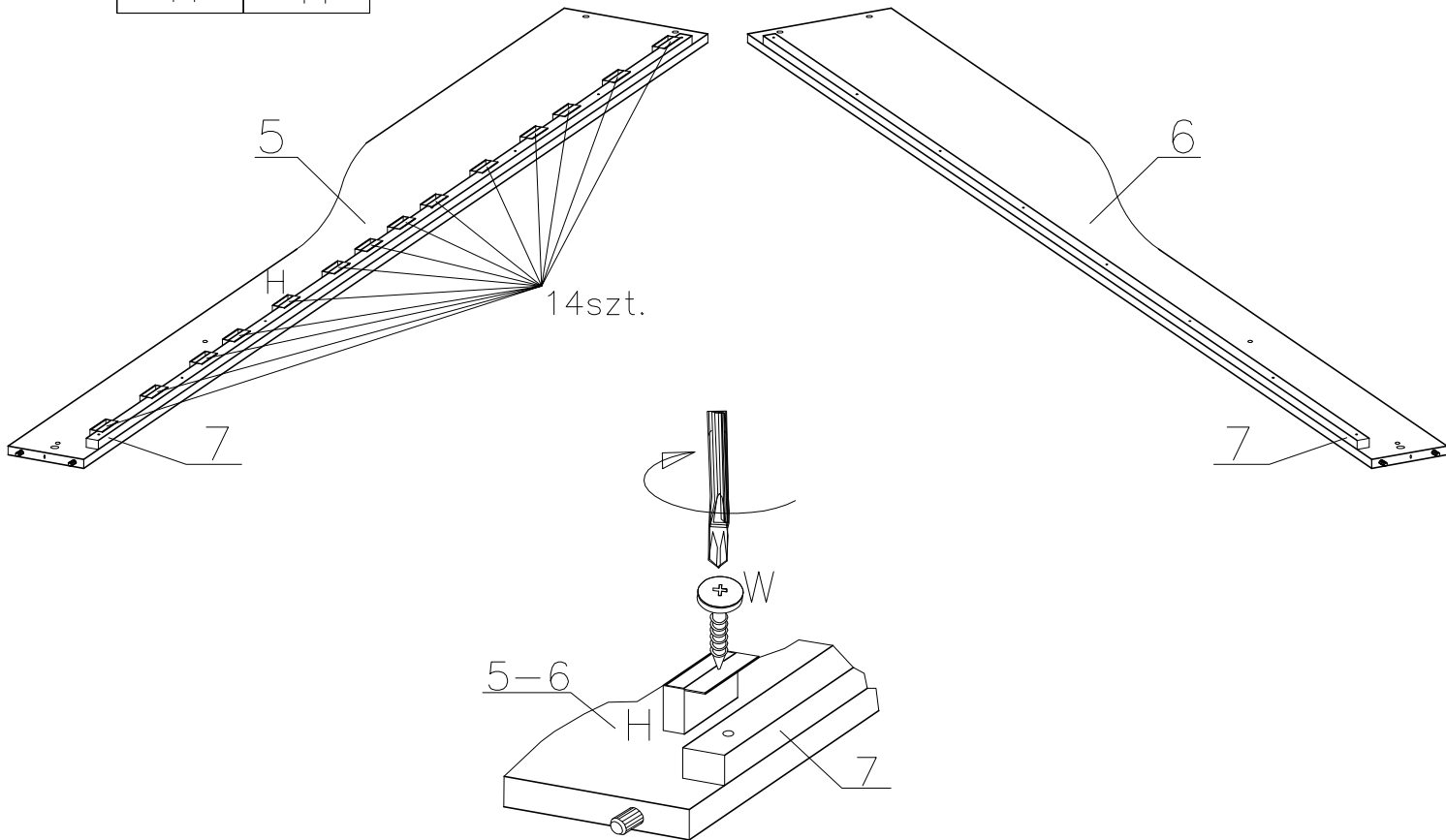
2

	3.5X35	8.0X35
I	G	C
1	16	8





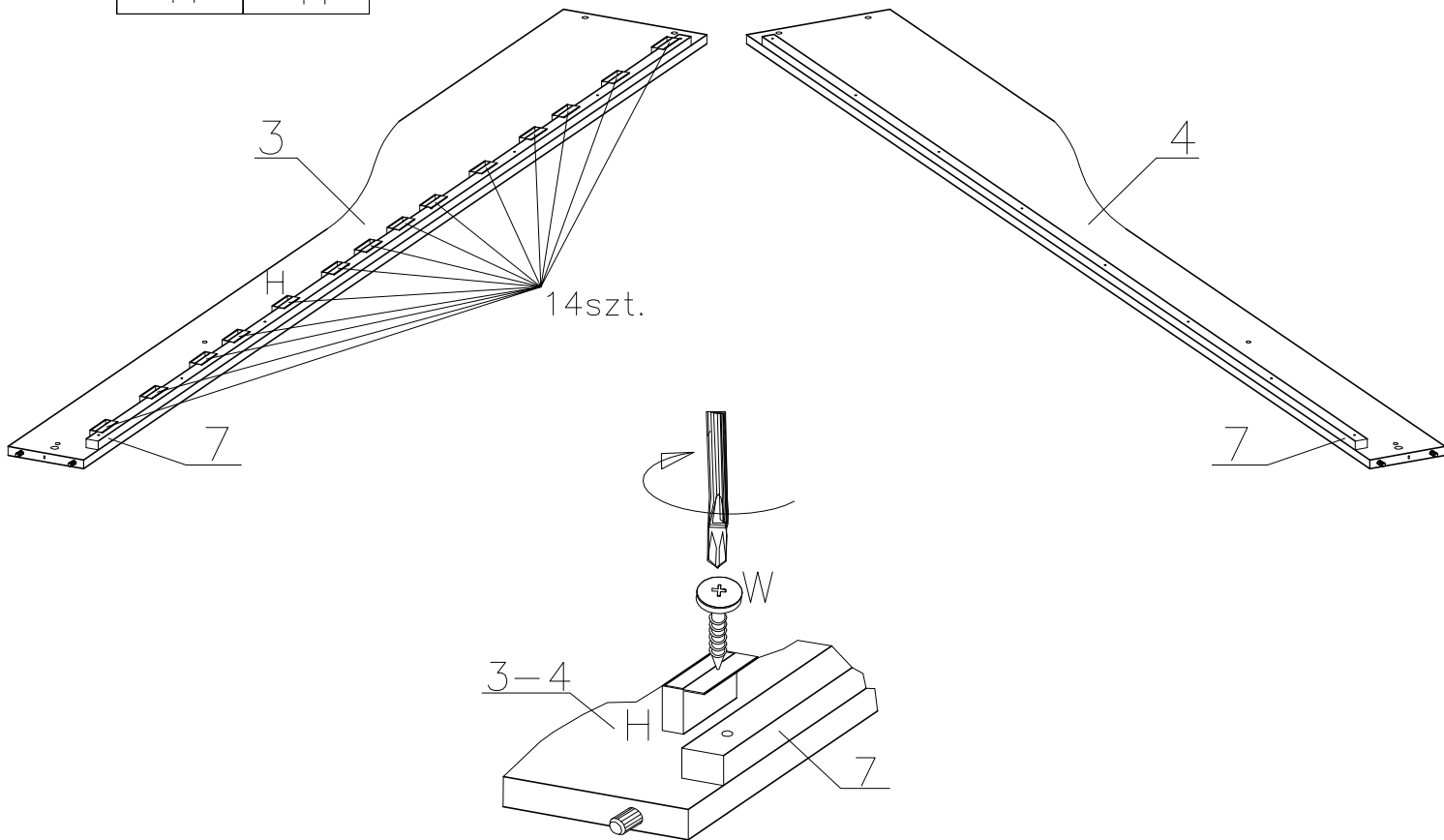
3

4.0X13  W	 H
14	14





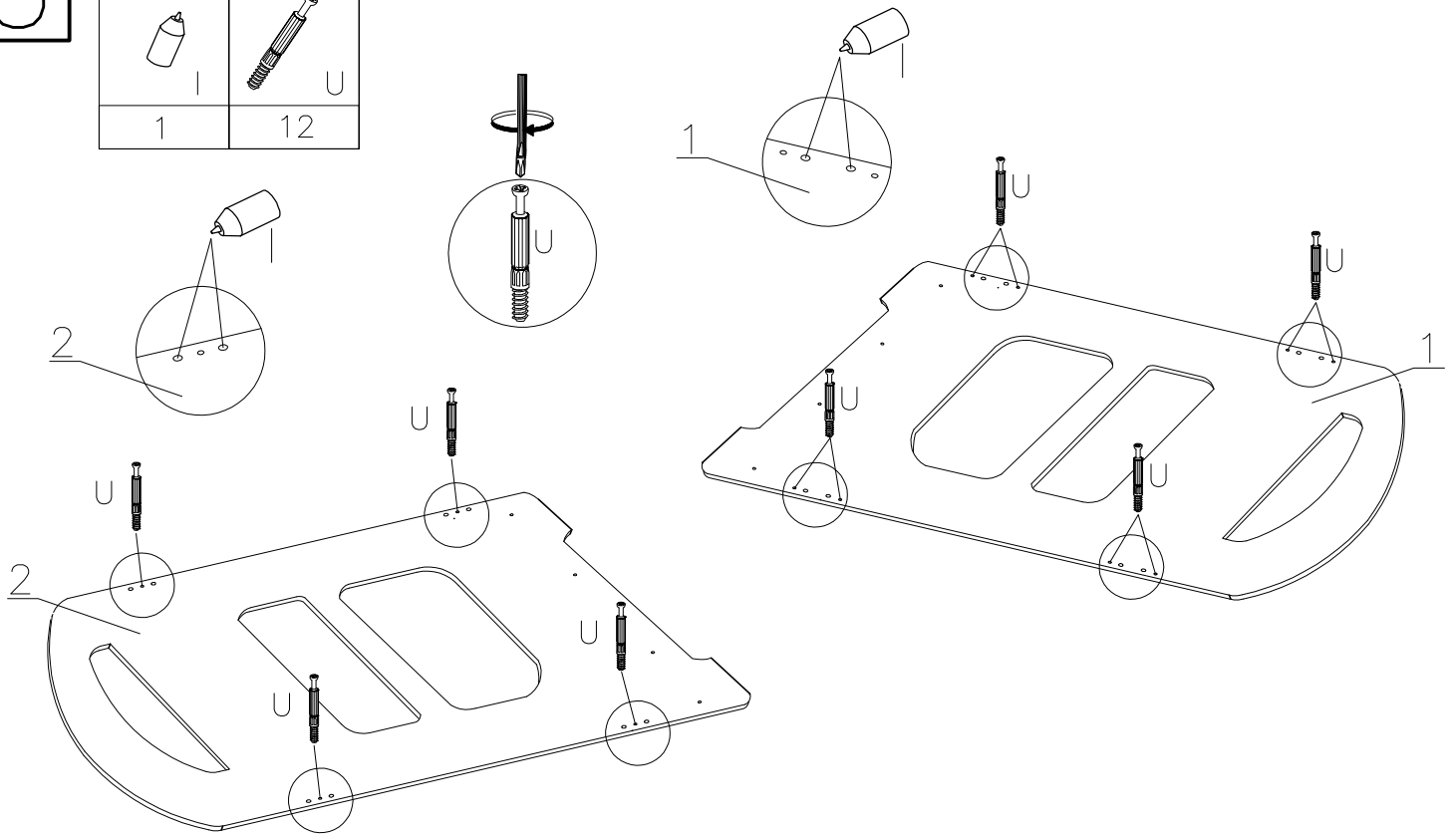
4

4.0X13  W	 H
14	14





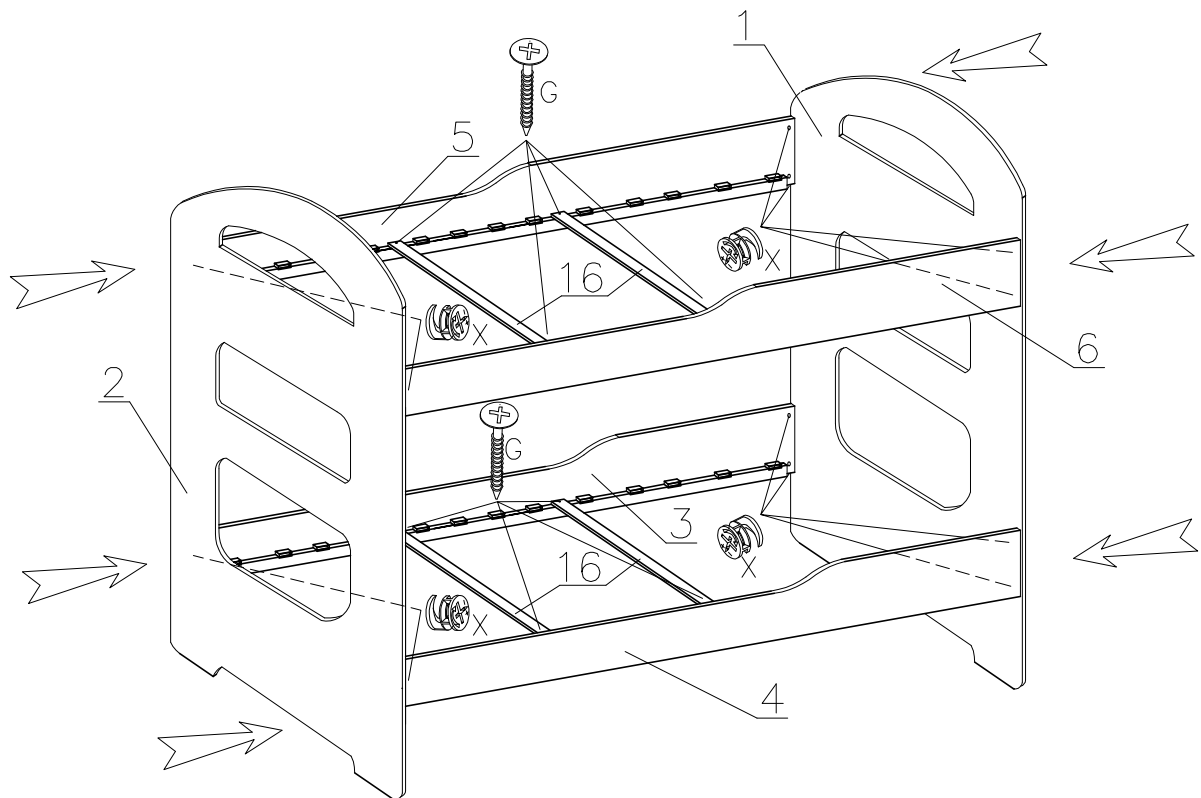
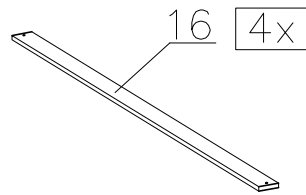
5

	
1	U






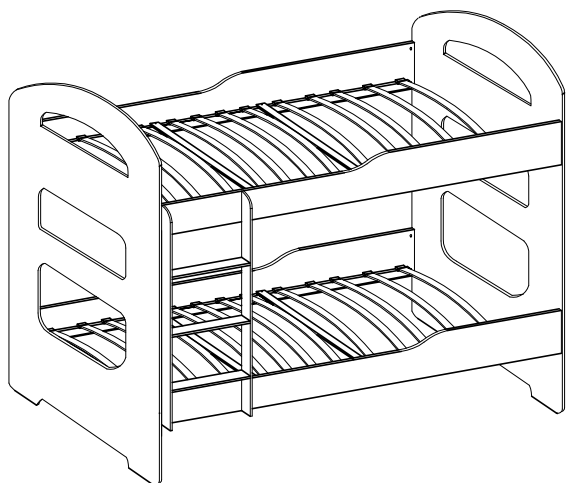
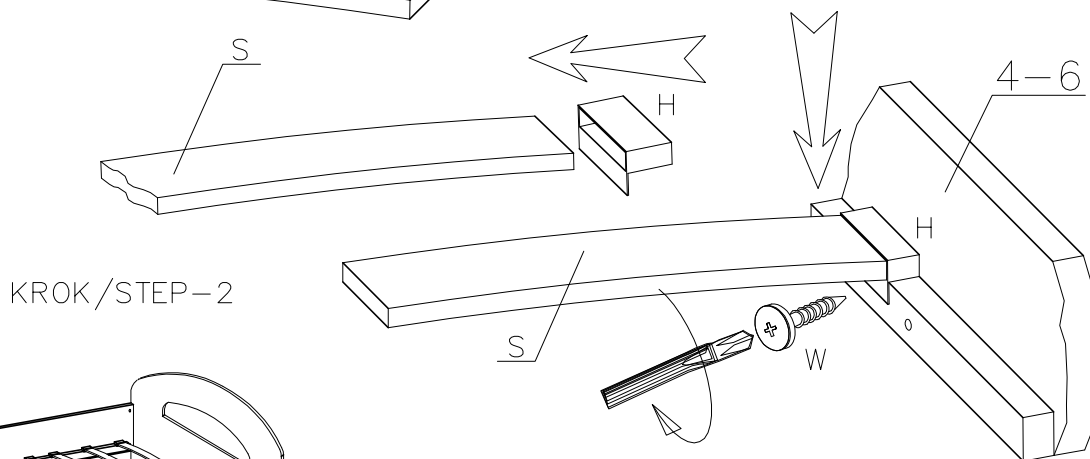
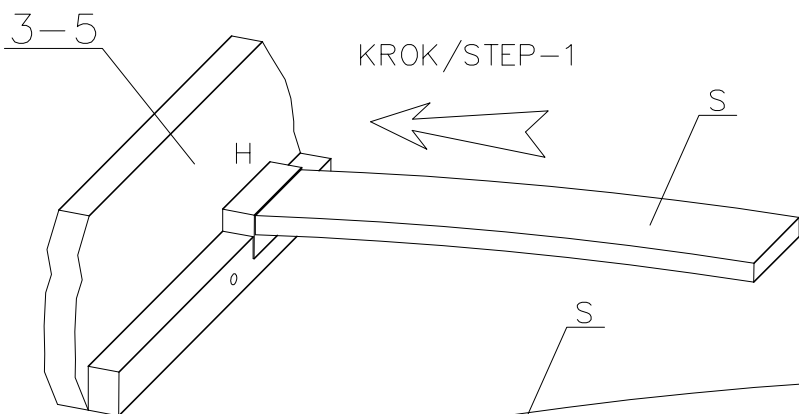
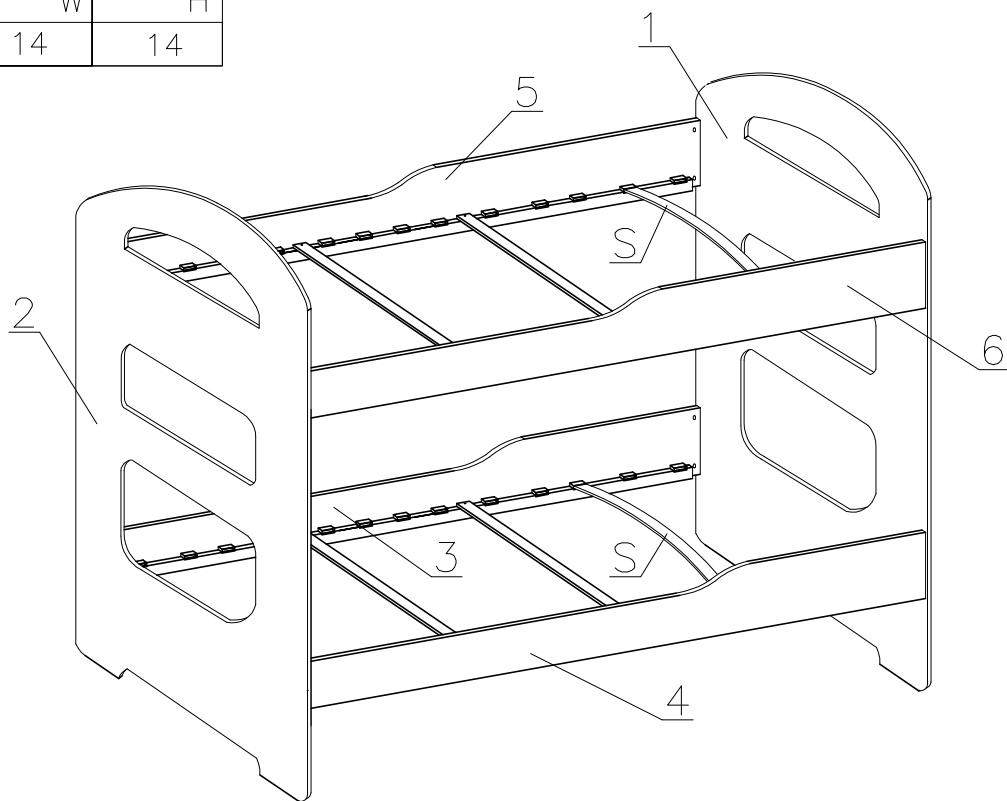
6

	
X	3.5X35 G
12	8


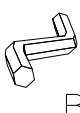


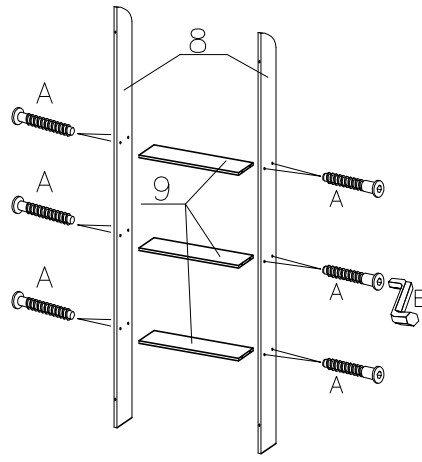
7

 S	4.0X13  W	 H
28	14	14

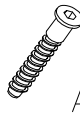
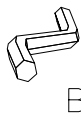


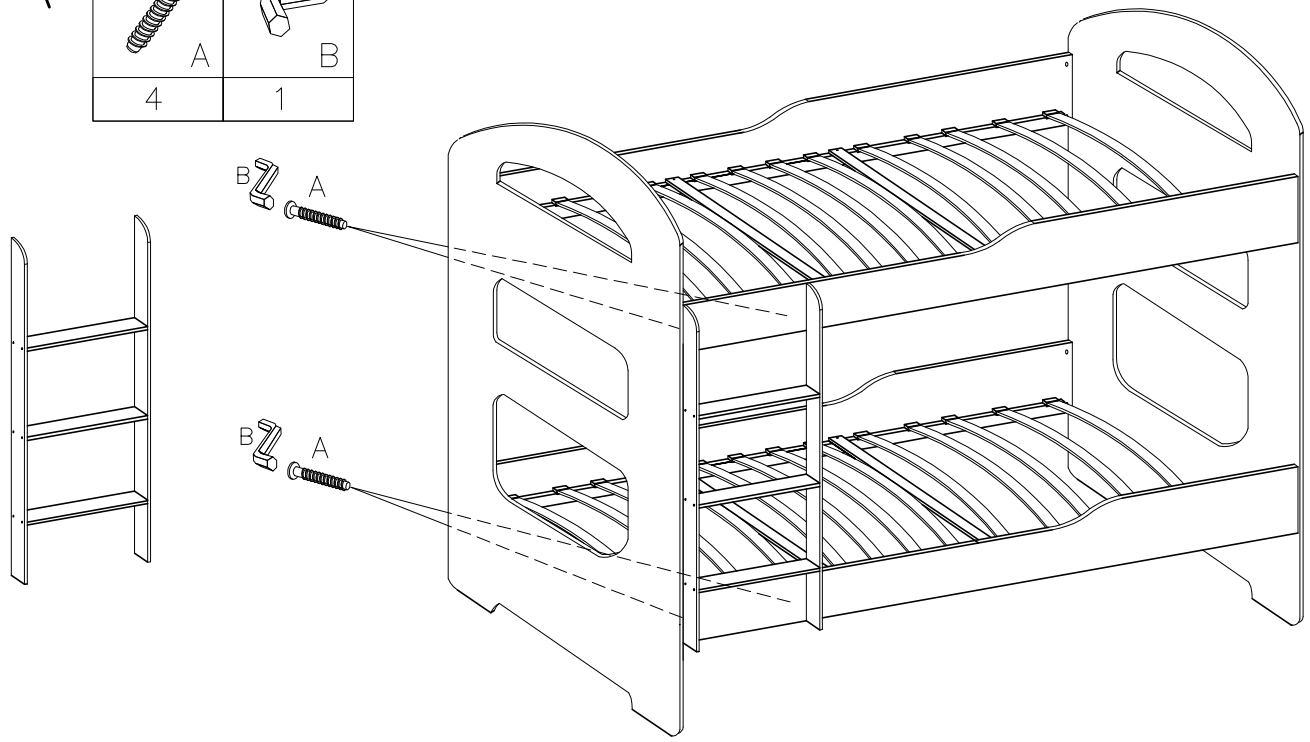
8

	
A	B
12	1





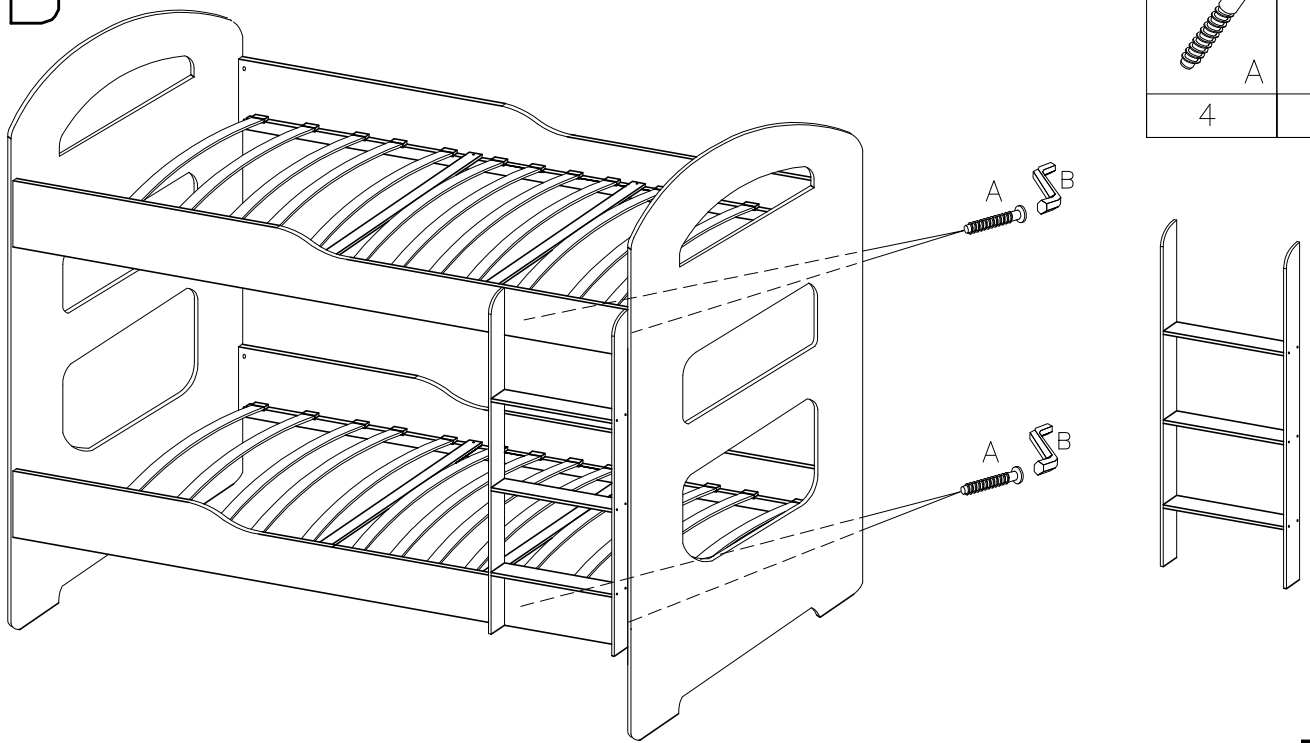
9 A

	
A	B
4	1

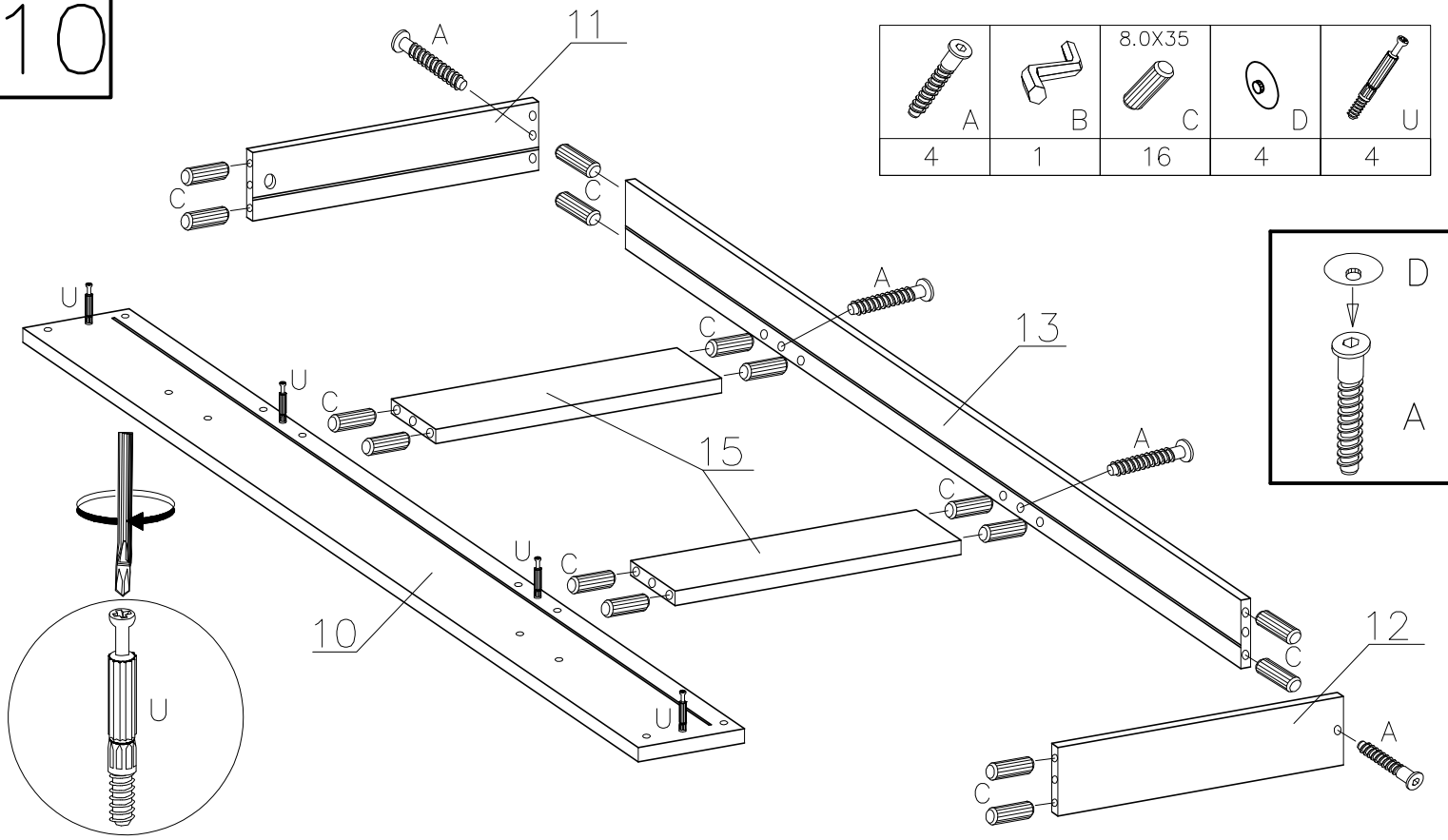


9 B

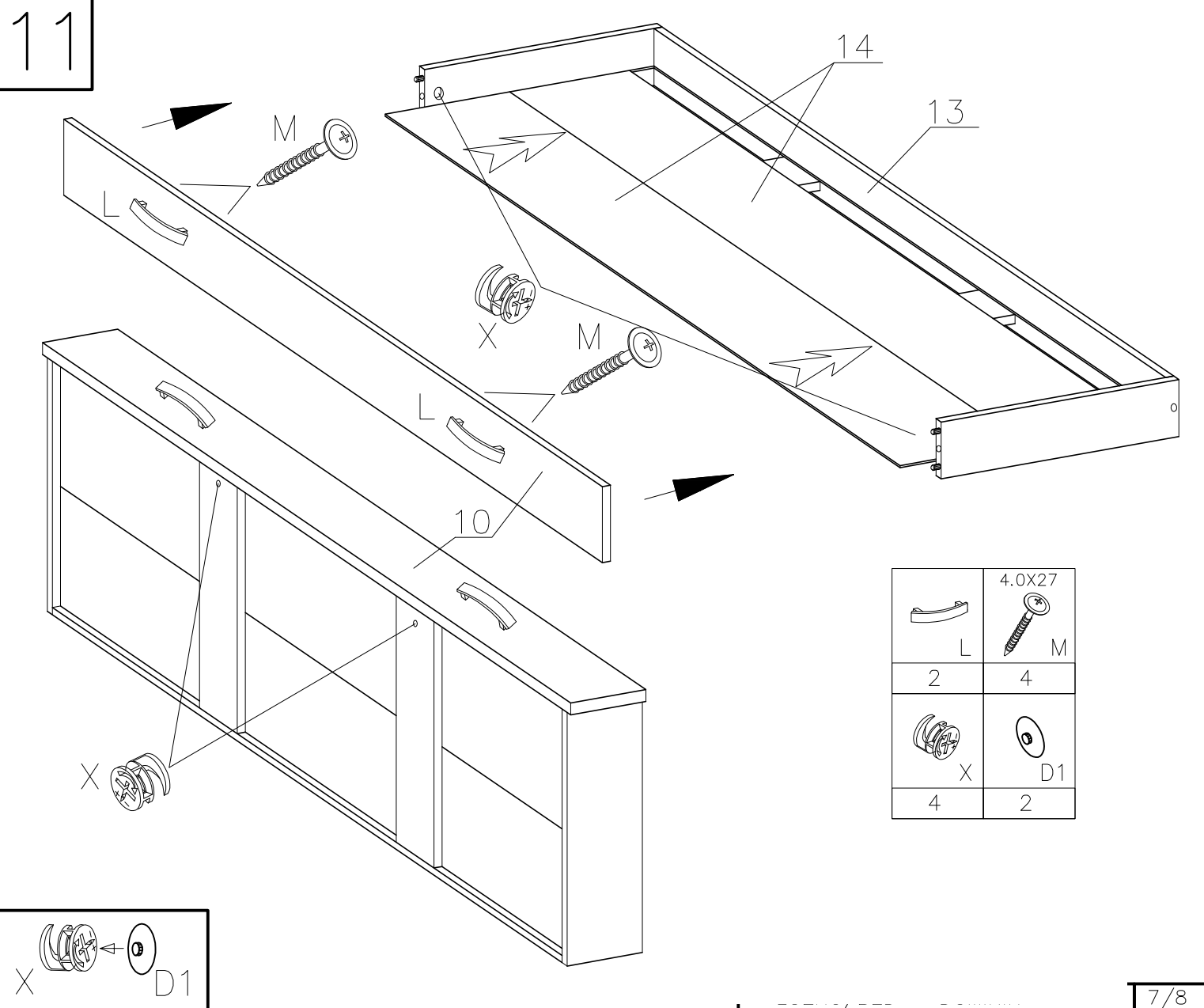
	
A	B
4	1





10

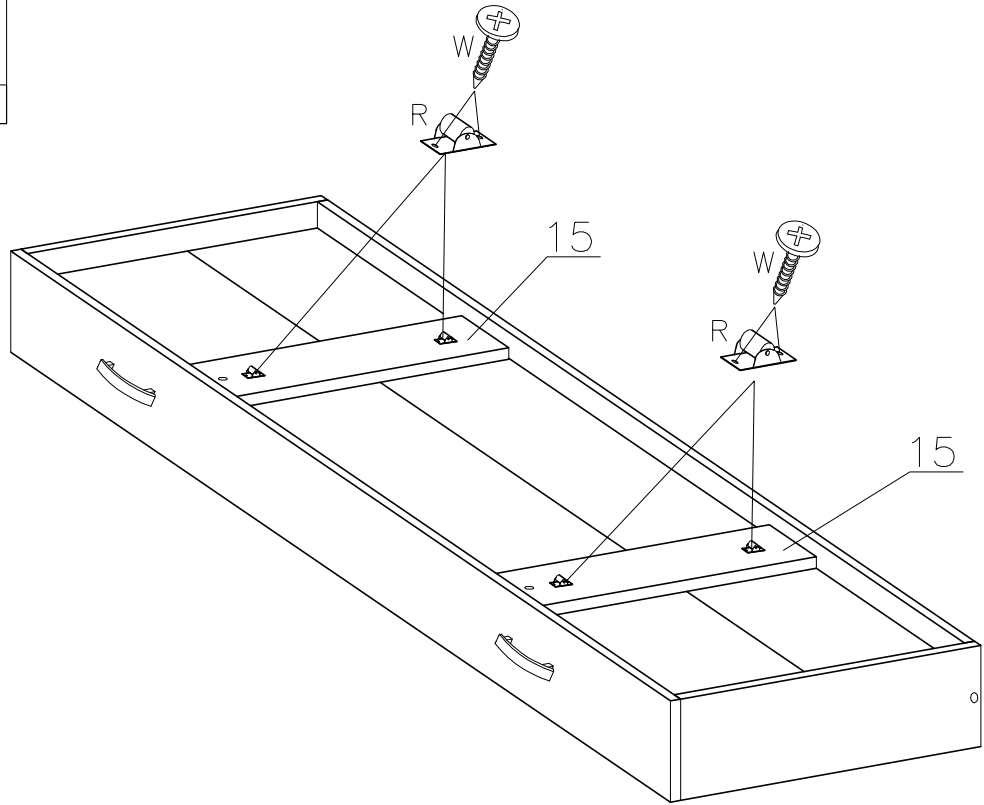


11




12

4.0X13  W	 R
8	4



13

 D2
8

