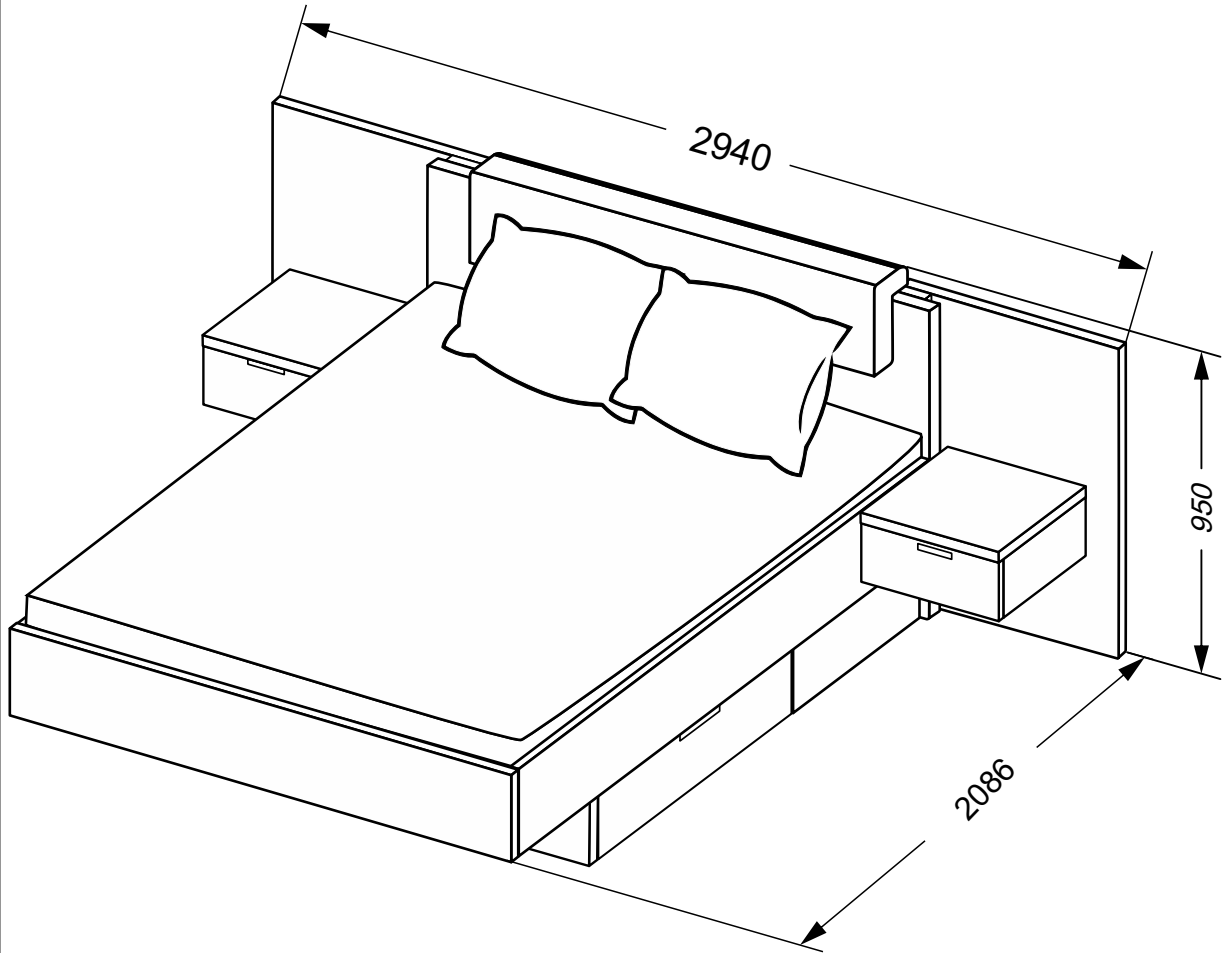
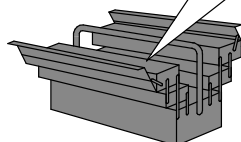
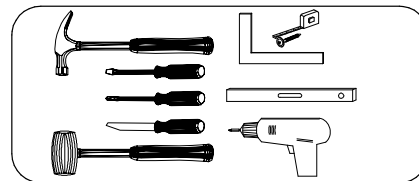
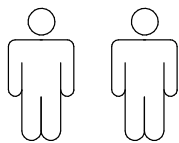


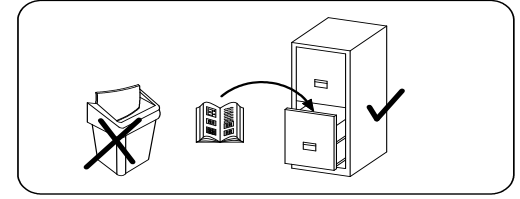
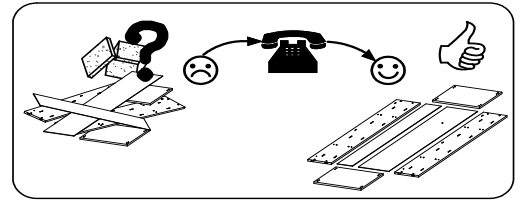
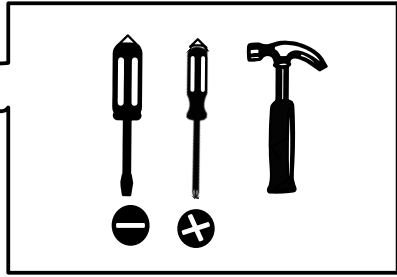
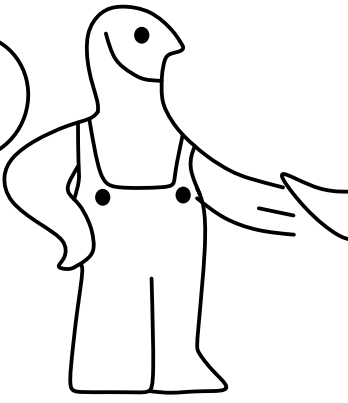
UA



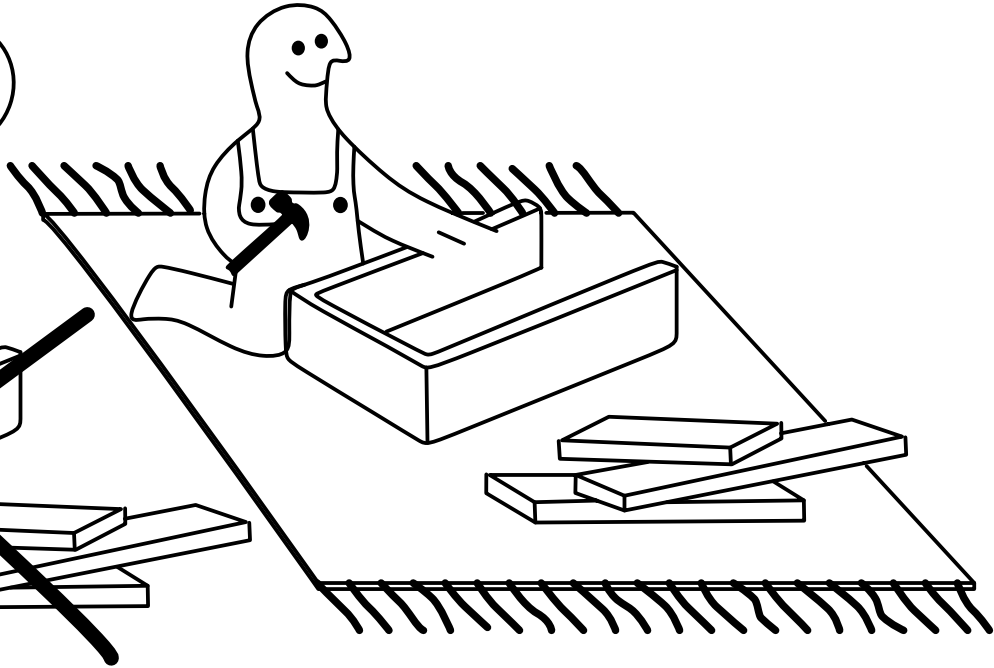
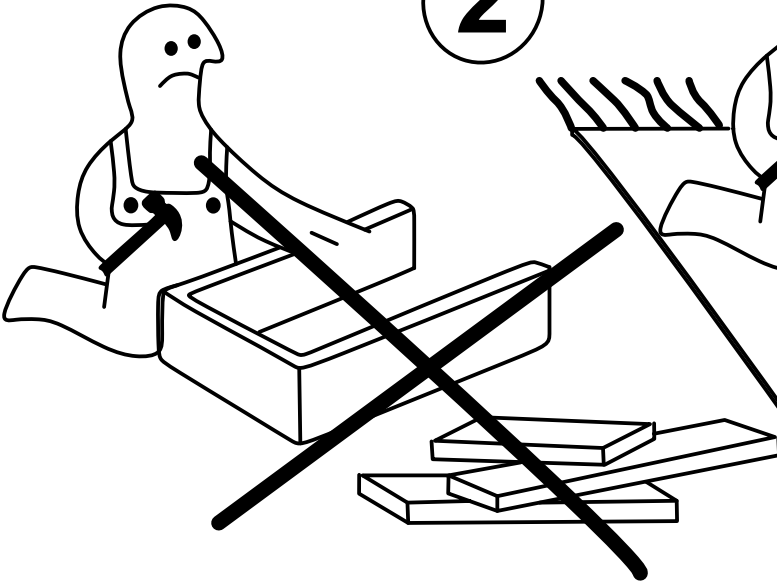
T9082



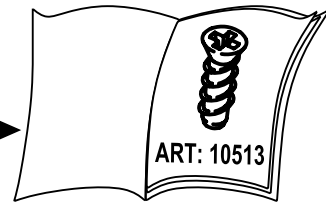
1



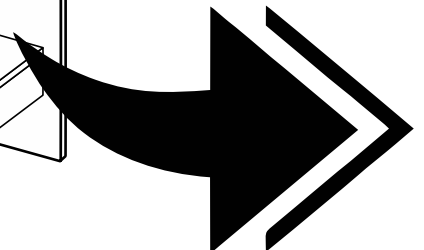
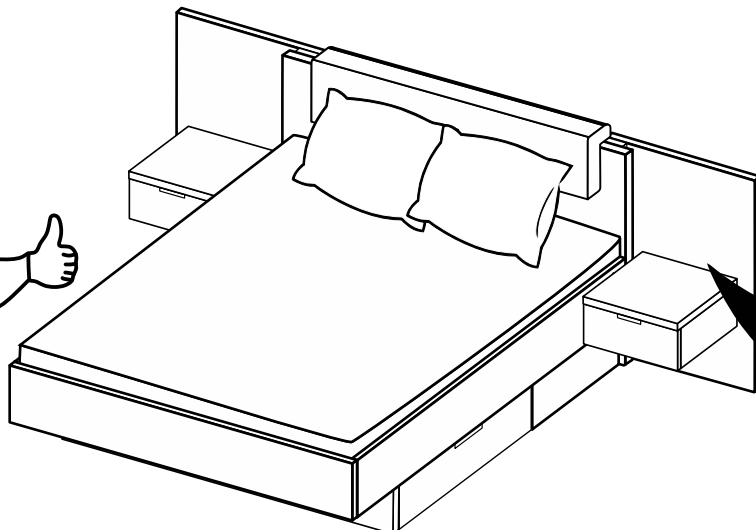
2





3

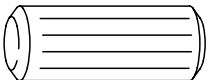


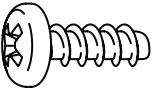
4

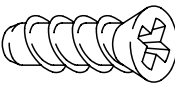


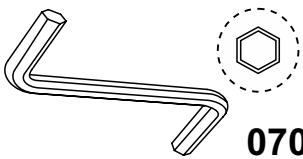
① x38  
  
**11002**

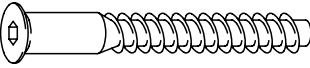
② x46  
  
**11016**

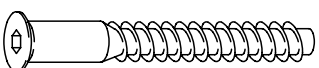
③  $\varnothing 8 \times 30$  x88  
  
**21008**

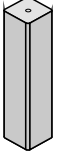
④  $\varnothing 6.3 \times 11.5$  x36  
  
**10612**

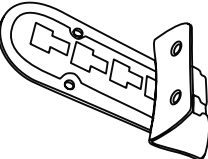
⑤  $\varnothing 5 \times 13$  x36  
  
**10513**

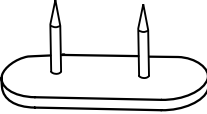
⑥ x1  
  
**07001**

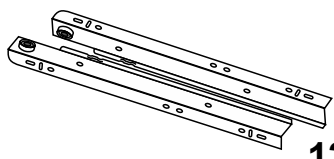
⑦  $\varnothing 7 \times 70$  x1  
  
**07770**

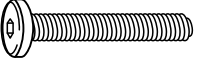
⑧  $\varnothing 6,4 \times 50$  x16  
  
**07650**

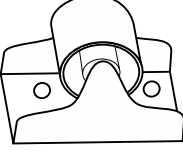
⑨ x1  
  
**14023**

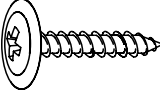
⑩ x8  
  
**04007**

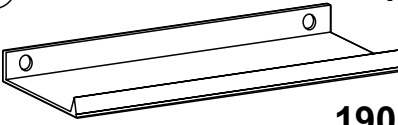
⑪ x14  
  
**14011**

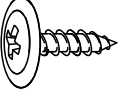
⑫ x2  
  
**12006**

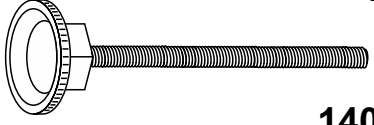
⑬  $\varnothing 6 \times 30$  x2  
  
**10630**


⑭ x2  
  
**05029**

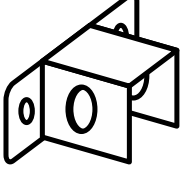
⑮  $\varnothing 4.2 \times 32$  x3  
  
**10432**

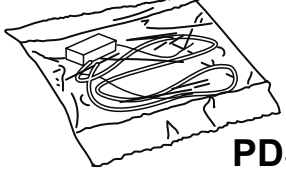
⑯ x4  
  
**19057**

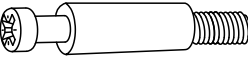
⑰  $\varnothing 4.2 \times 13$  x12  
  
**10413**

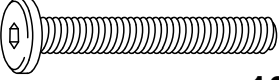
⑱ x1  
  
**14021**

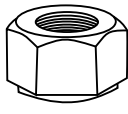
⑲ x1  
  
**02008**

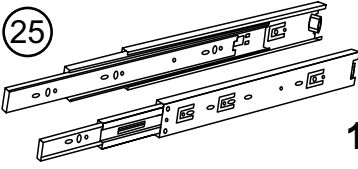
⑳ x2  
  
**05033**

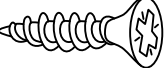
㉑ x1  
  
**PDSV-16**


㉒ x8  
  
**11006**

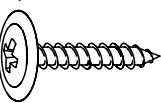
㉓  $\varnothing 6 \times 40$  x6  
  
**10640**

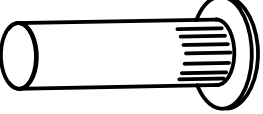
㉔ M6 x2  
  
**02600**

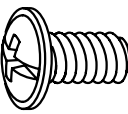
㉕ x2  
  
**12350**

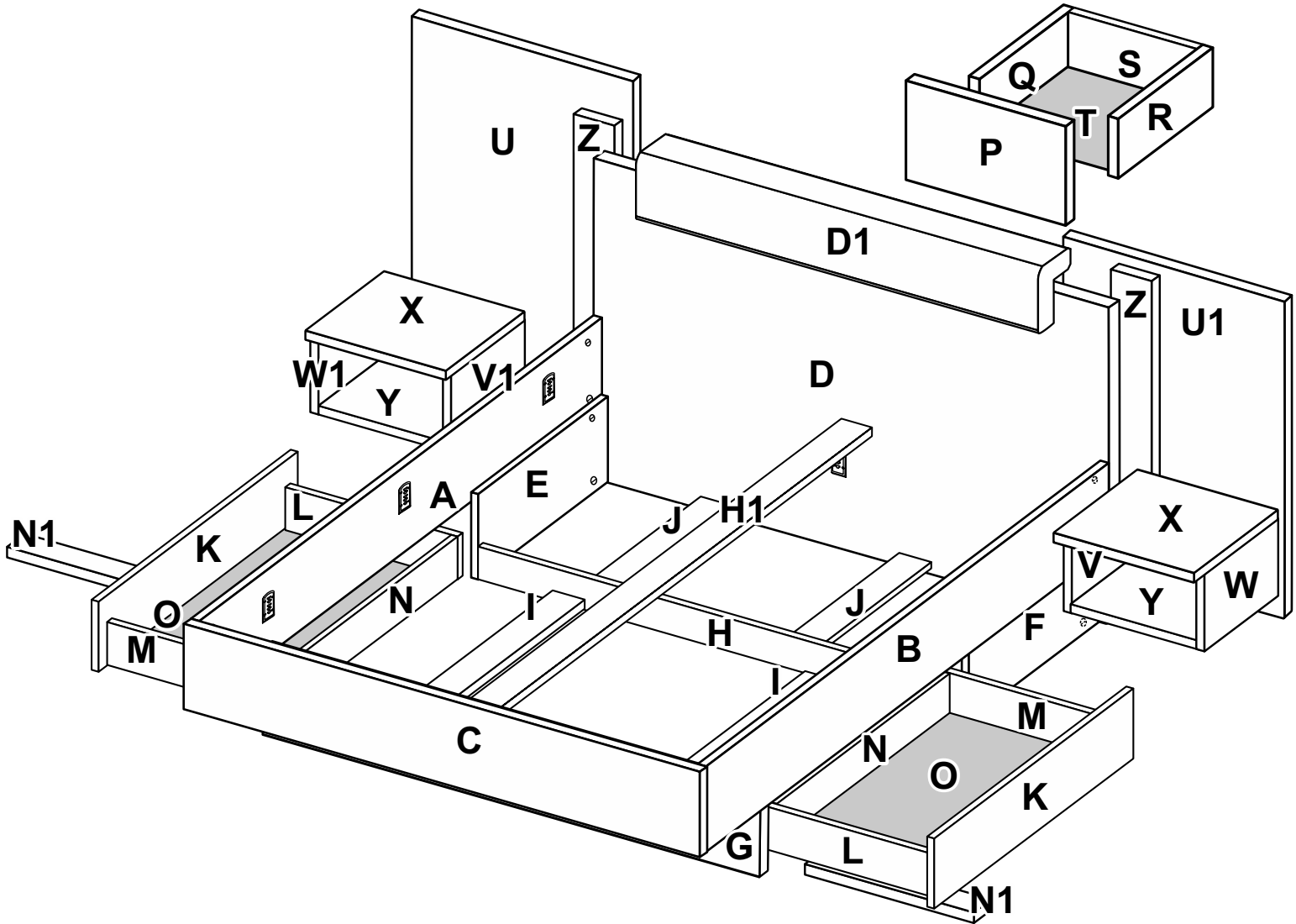
㉖  $\varnothing 3.5 \times 15$  x12  
  
**10315**

㉗  $\varnothing 4 \times 16$  x4  
  
**10416**

㉘  $\varnothing 4.2 \times 25$  x4  
  
**10426**

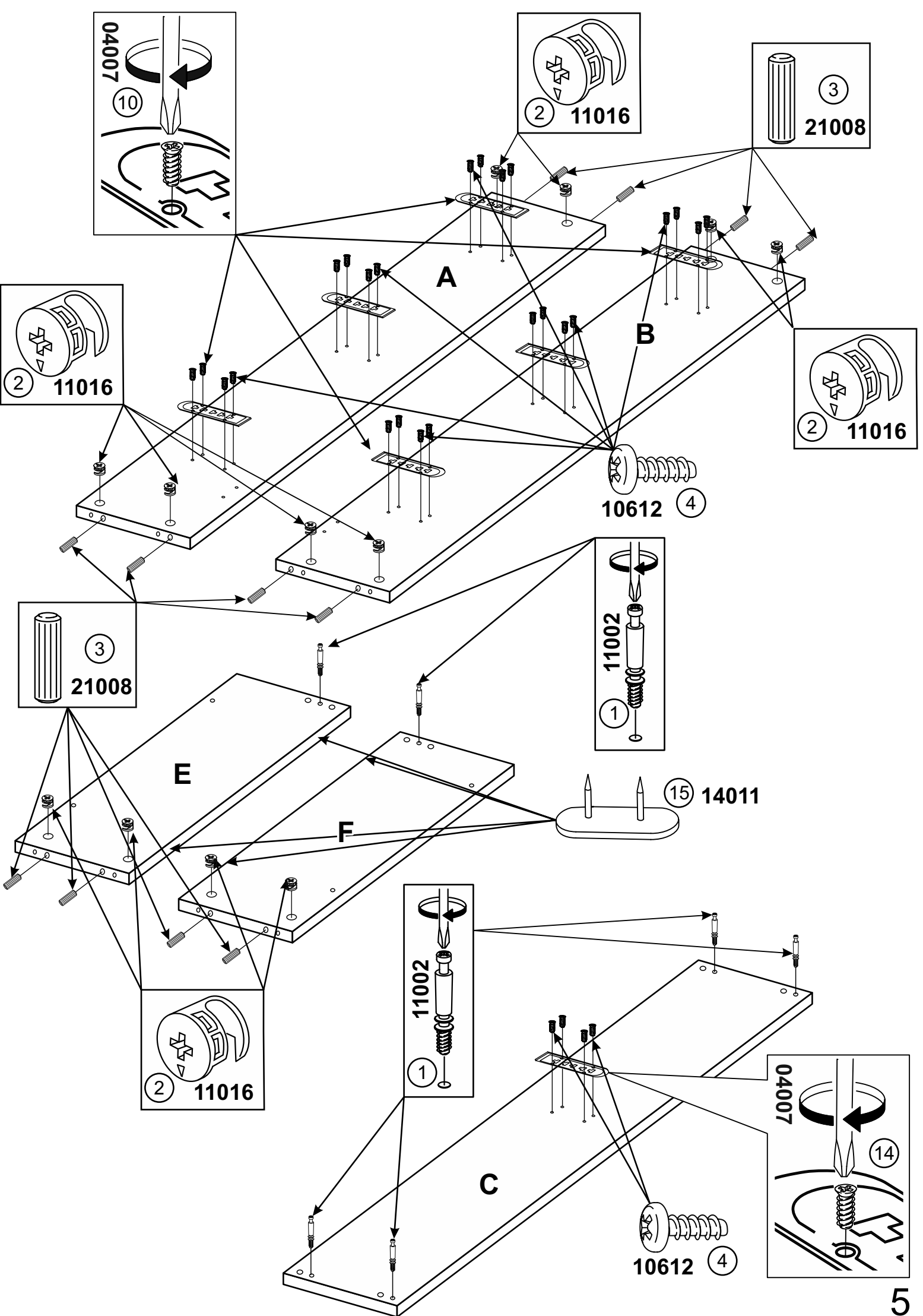
㉙ x2  
  
**10013**

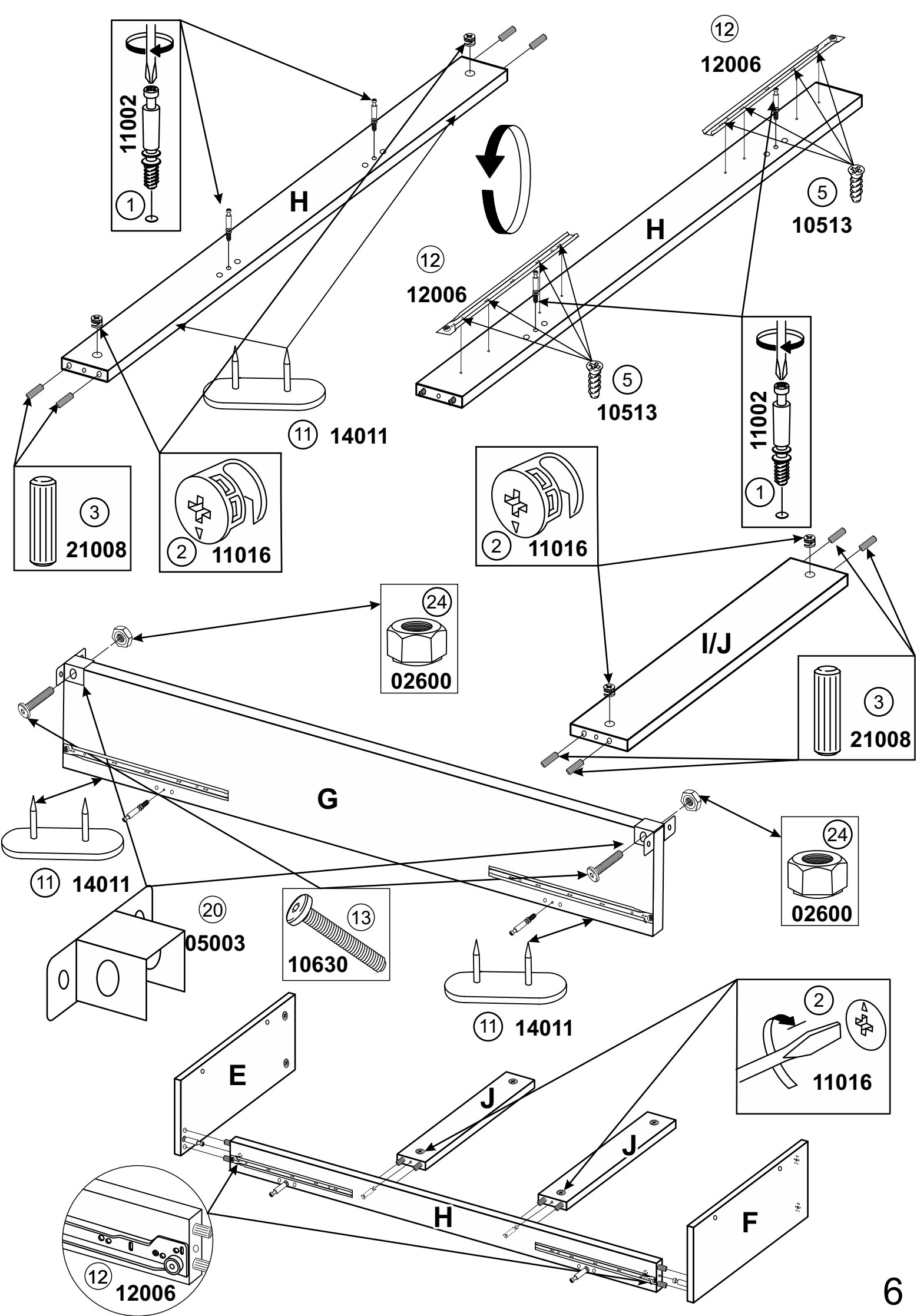
㉚ x2  
  
**10012**

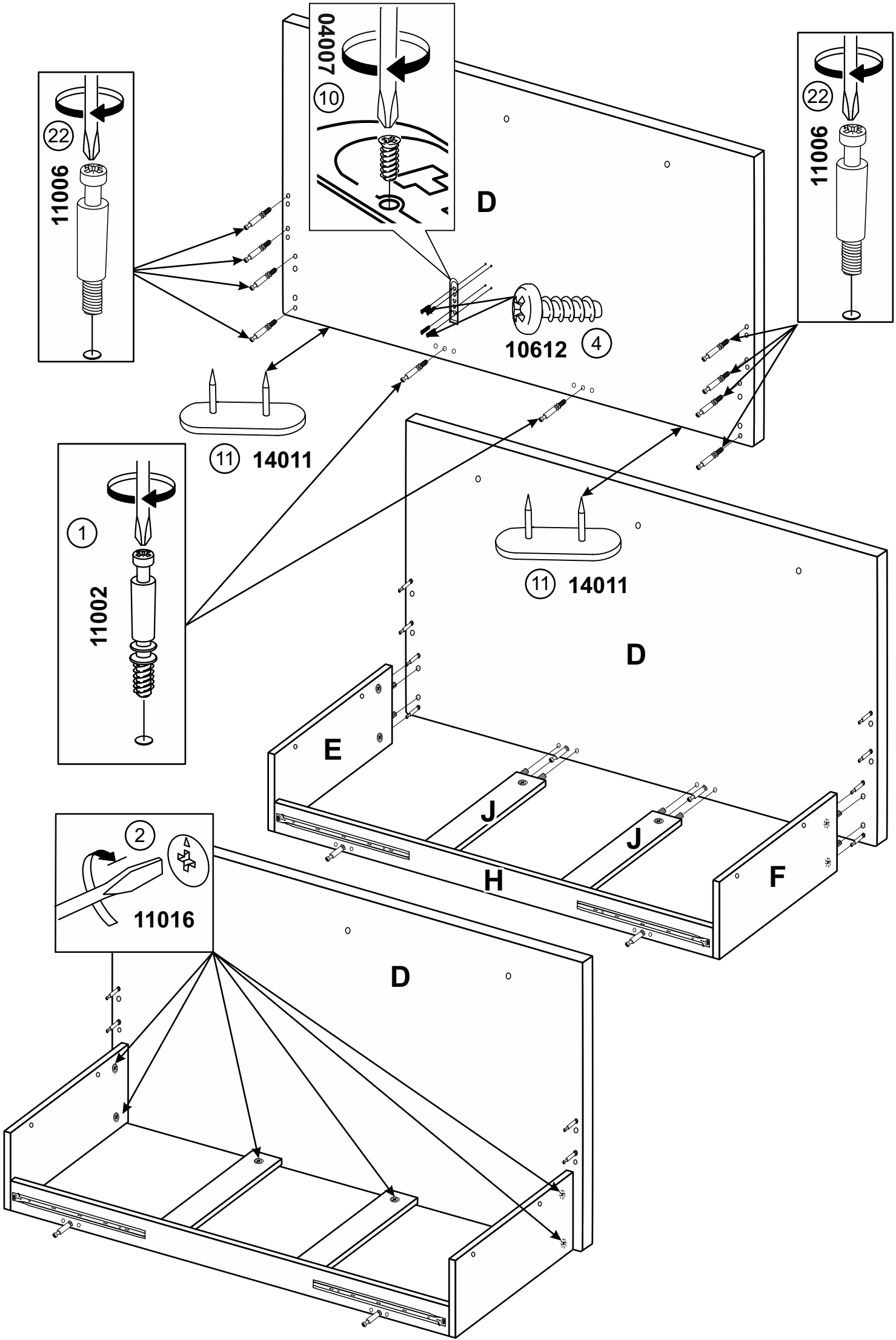


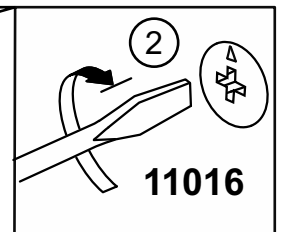
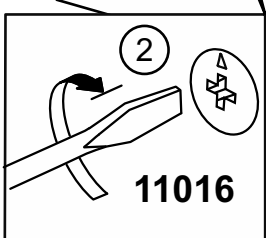
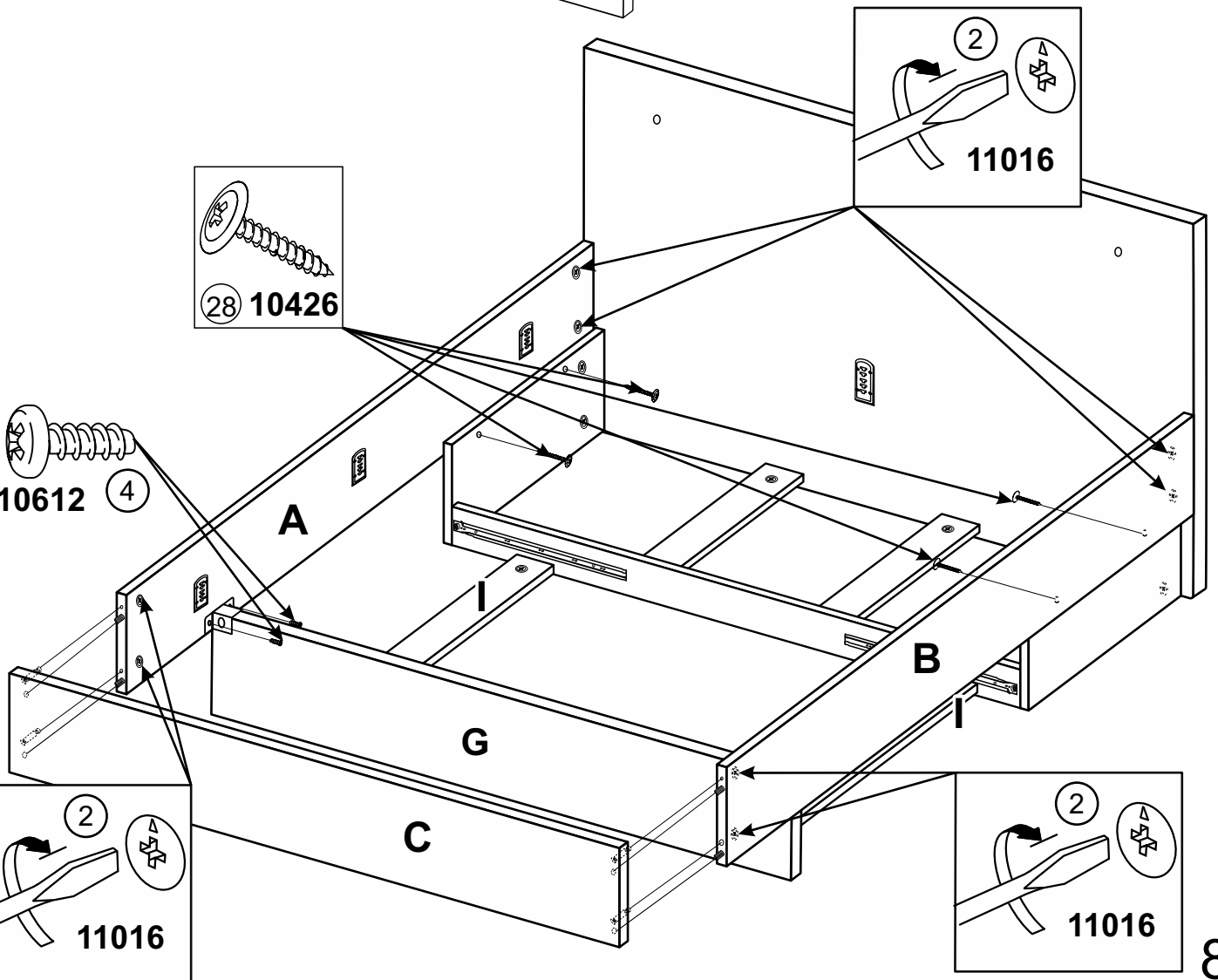
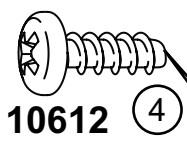
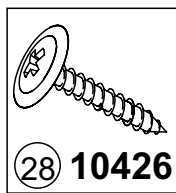
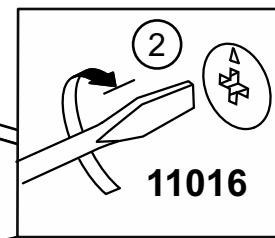
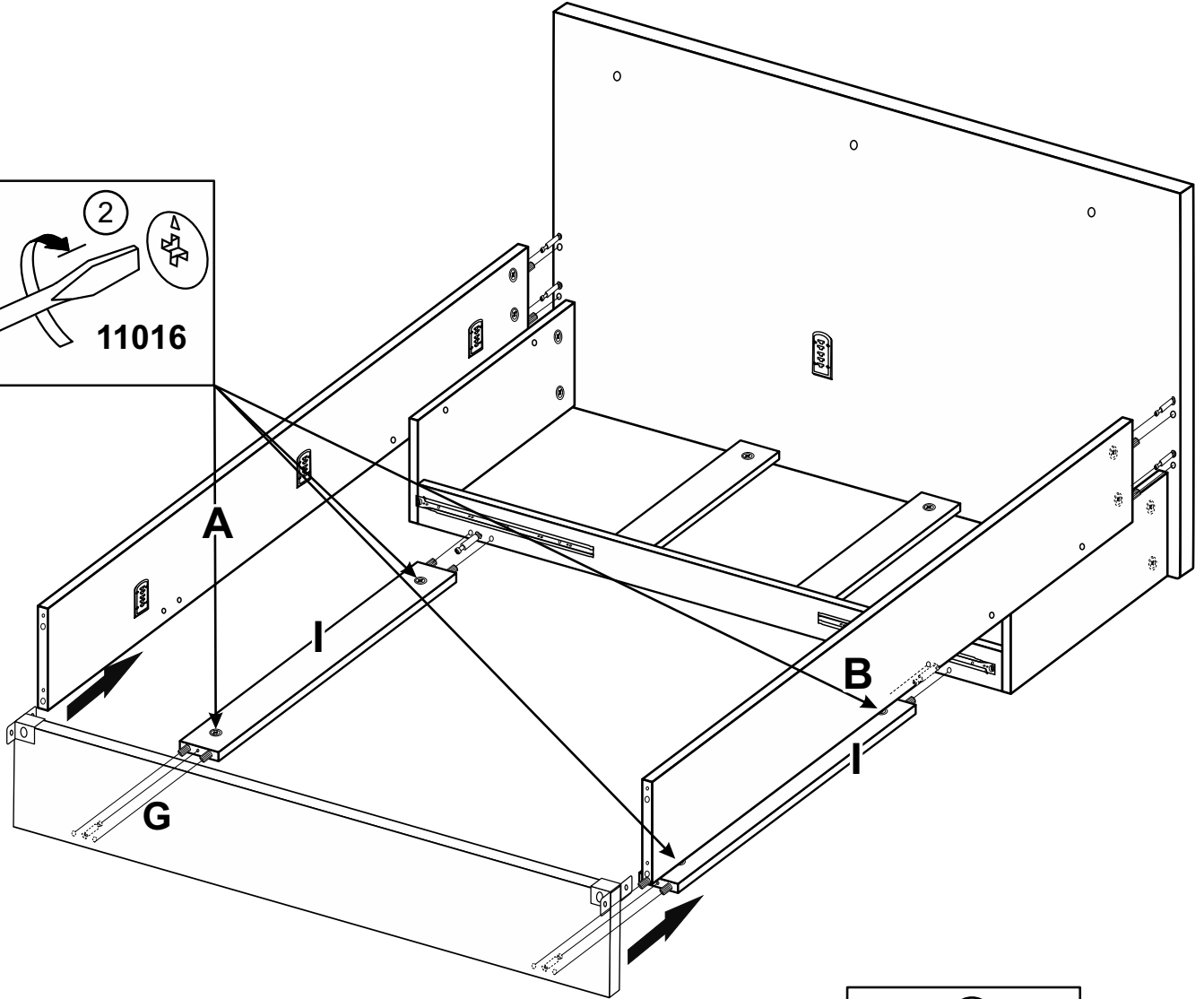
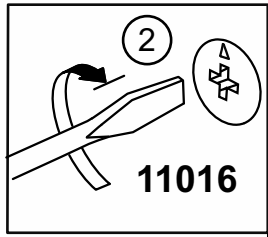
		No p.			No p.		
<b>A</b>	- 2020 x 230 x 16 - x	<b>1</b>	<b>1/6</b>	<b>N1</b>	- 584 x 80 x 16 - x	<b>2</b>	<b>6/6</b>
<b>B</b>	- 2020 x 230 x 16 - x	<b>1</b>	<b>1/6</b>	<b>O</b>	- 596 x 1074 x 3 - x	<b>2</b>	<b>3/6</b>
<b>C</b>	- 1844 x 230 x 16 - x	<b>1</b>	<b>1/6</b>	<b>P</b>	- 496 x 170 x 16 - x	<b>2</b>	<b>6/6</b>
<b>D</b>	- 1844 x 900 x 16 - x	<b>1</b>	<b>3/6</b>	<b>Q</b>	- 350 x 110 x 16 - x	<b>2</b>	<b>1/6</b>
<b>D1</b>	- 1590 x 250 x 95 - x	<b>1</b>	<b>5/6</b>	<b>R</b>	- 350 x 110 x 16 - x	<b>2</b>	<b>5/6</b>
<b>E</b>	- 650 x 270 x 16 - x	<b>1</b>	<b>4/6</b>	<b>S</b>	- 410 x 110 x 16 - x	<b>2</b>	<b>4/6</b>
<b>F</b>	- 650 x 270 x 16 - x	<b>1</b>	<b>4/6</b>	<b>T</b>	- 442 x 346 x 3 - x	<b>2</b>	<b>3/6</b>
<b>G</b>	- 1810 x 270 x 16 - x	<b>1</b>	<b>4/6</b>	<b>U</b>	- 900 x 680 x 16 - x	<b>1</b>	<b>6/6</b>
<b>H</b>	- 1778 x 110 x 16 - x	<b>1</b>	<b>4/6</b>	<b>U1</b>	- 900 x 680 x 16 - x	<b>1</b>	<b>6/6</b>
<b>H1</b>	- 2007 x 70 x 25 - x	<b>1</b>	<b>1/6</b>	<b>V</b>	- 360 x 174 x 16 - x	<b>1</b>	<b>1/6</b>
<b>I</b>	- 1119 x 128 x 16 - x	<b>2</b>	<b>4/6</b>	<b>V1</b>	- 360 x 174 x 16 - x	<b>1</b>	<b>1/6</b>
<b>J</b>	- 634 x 113 x 16 - x	<b>2</b>	<b>1/6</b>	<b>W</b>	- 360 x 174 x 16 - x	<b>1</b>	<b>1/6</b>
<b>K</b>	- 1113 x 225 x 16 - x	<b>2</b>	<b>1/6, 4/6</b>	<b>W1</b>	- 360 x 174 x 16 - x	<b>1</b>	<b>1/6</b>
<b>L</b>	- 600 x 130 x 16 - x	<b>2</b>	<b>5/6</b>	<b>X</b>	- 500 x 380 x 16 - x	<b>2</b>	<b>6/6</b>
<b>M</b>	- 600 x 130 x 16 - x	<b>2</b>	<b>4/6</b>	<b>Y</b>	- 468 x 360 x 16 - x	<b>2</b>	<b>6/6</b>
<b>N</b>	- 1063 x 130 x 16 - x	<b>2</b>	<b>4/6</b>	<b>Z</b>	- 900 x 120 x 16 - x	<b>2</b>	<b>5/6</b>



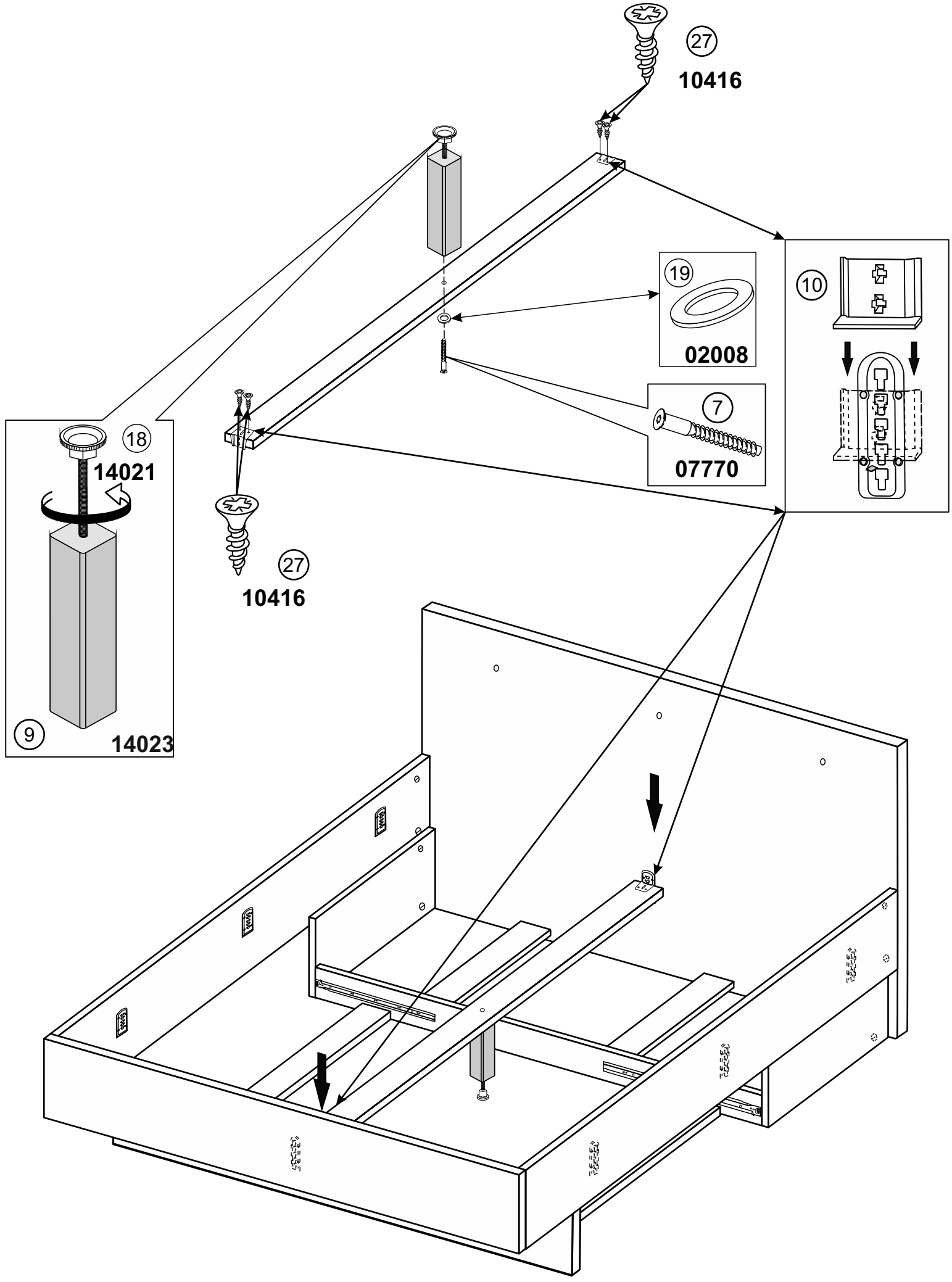


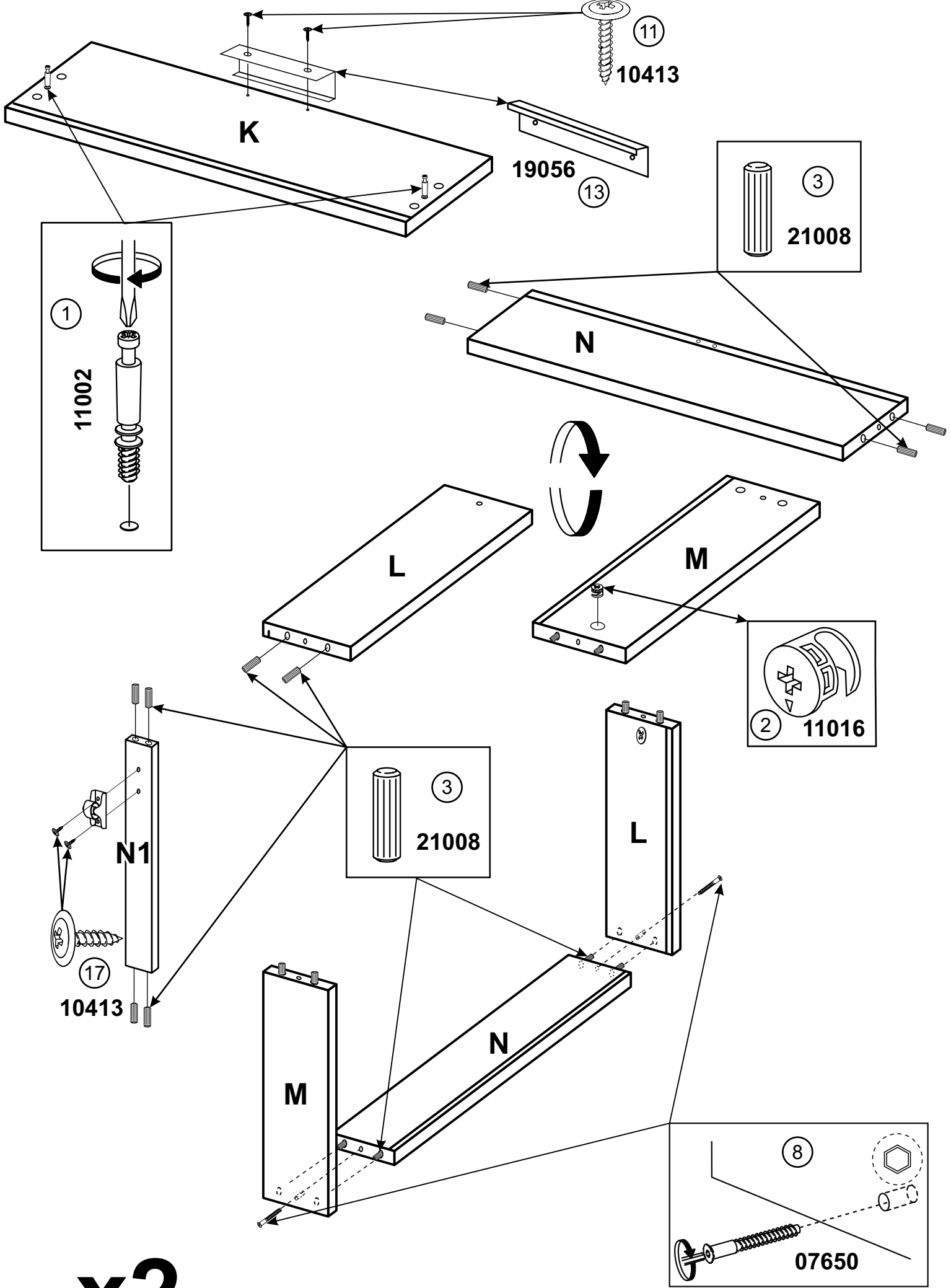




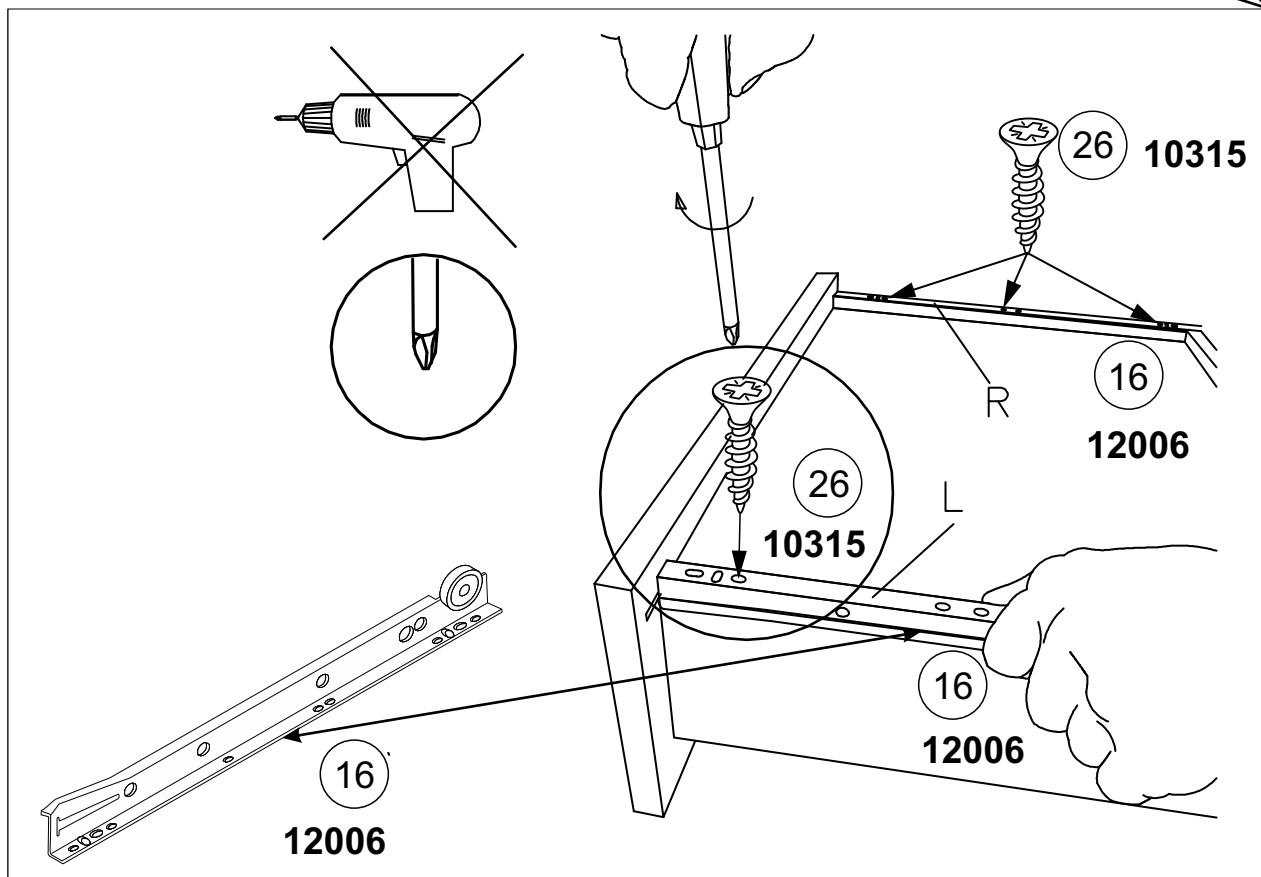
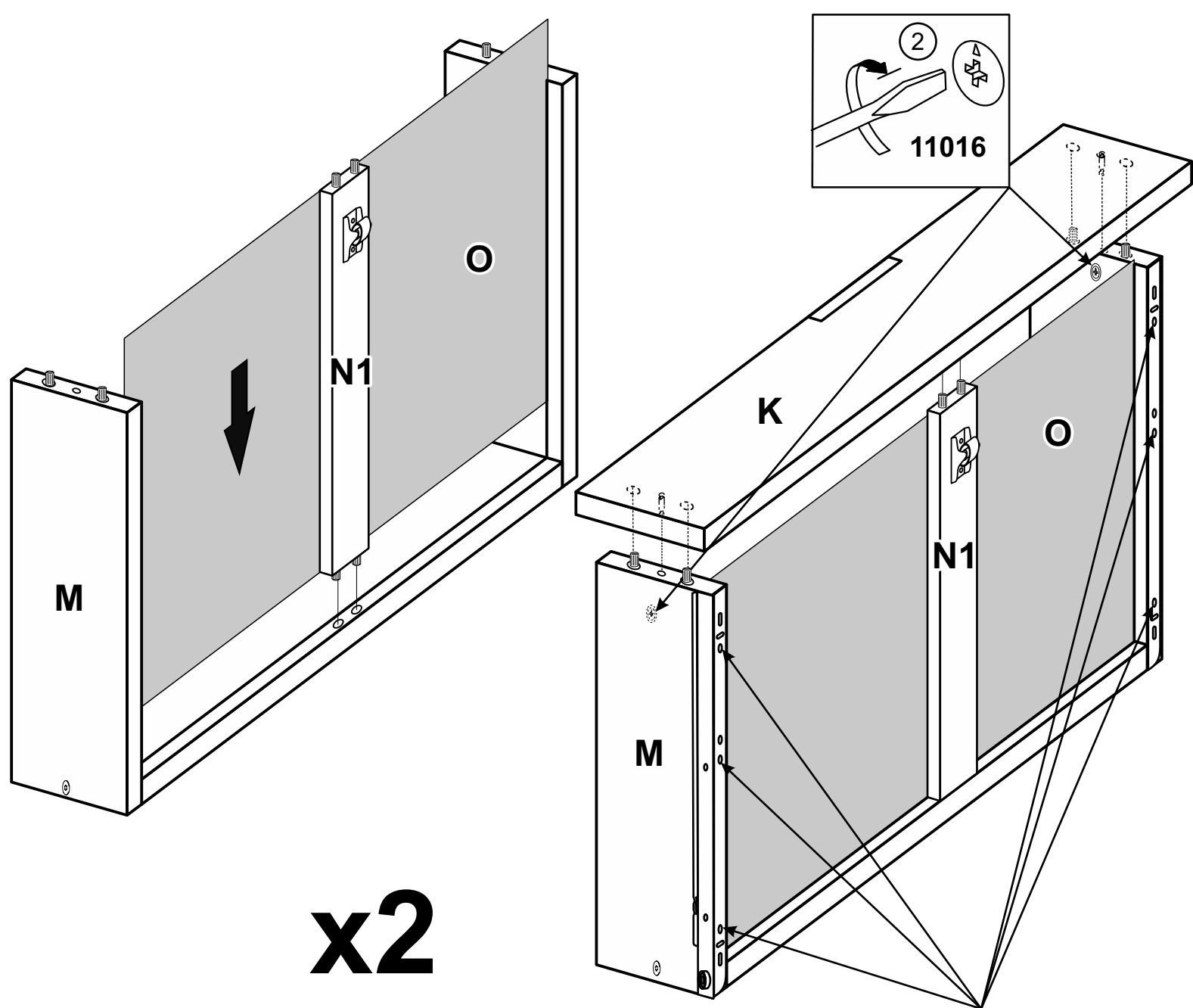


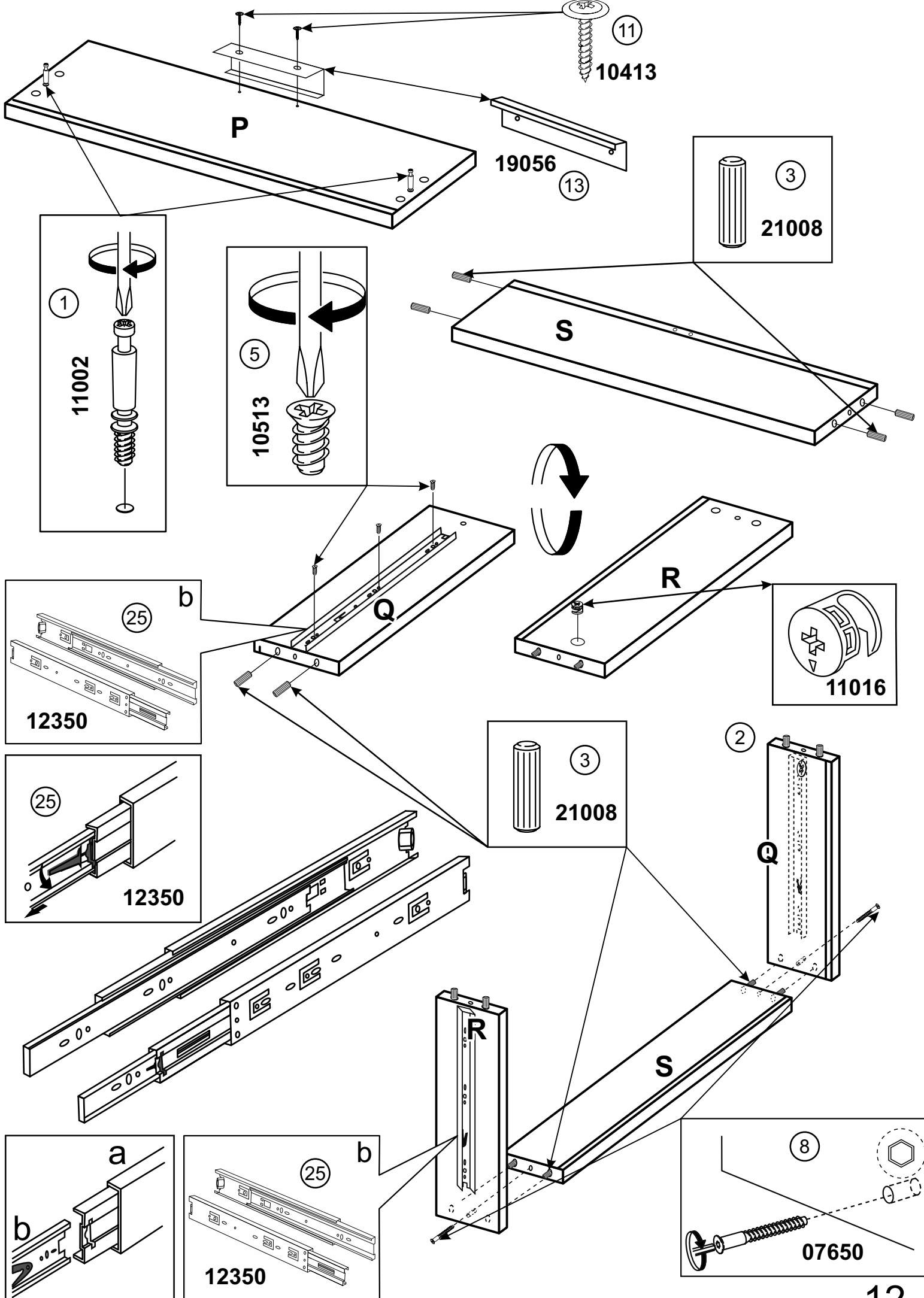


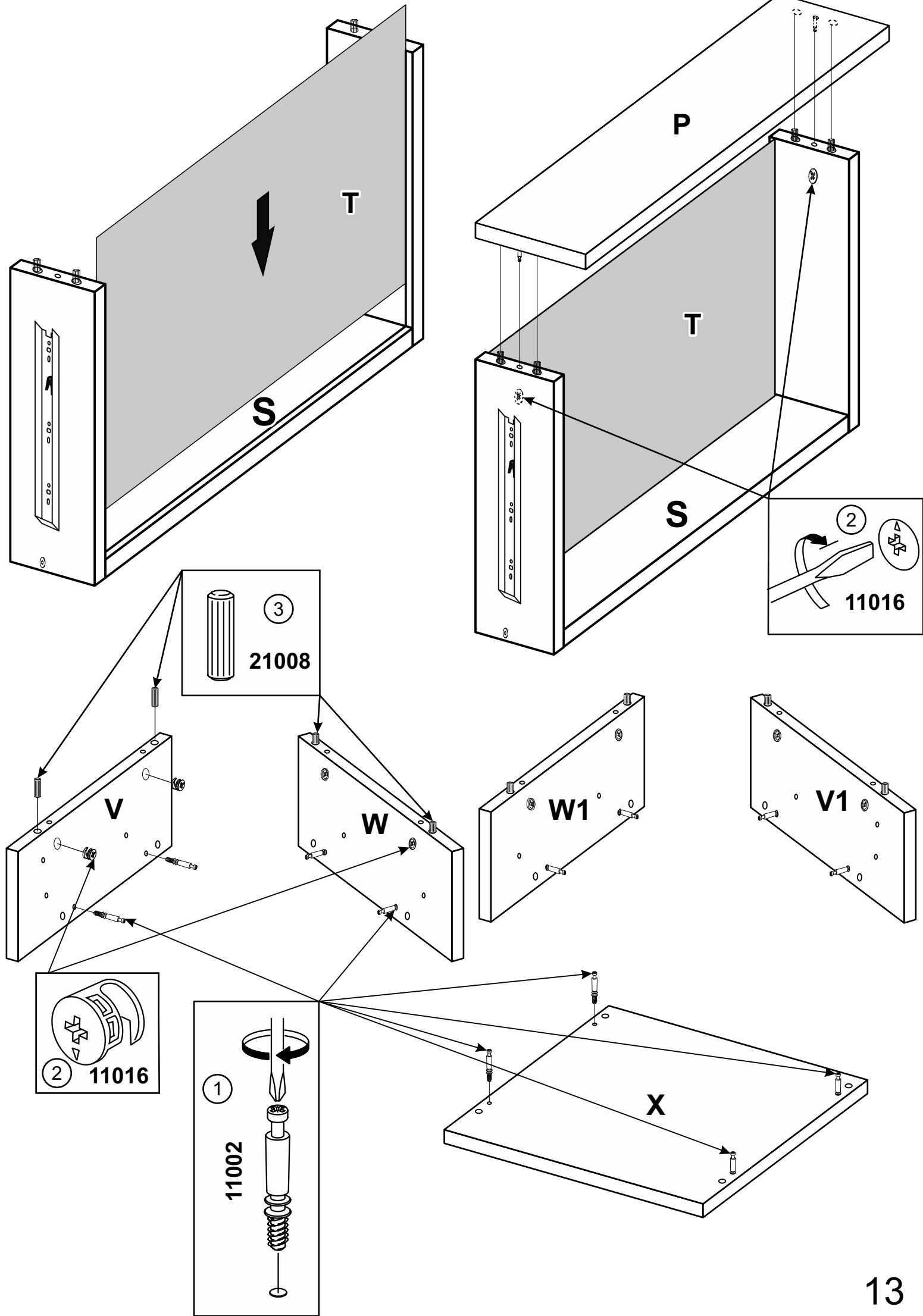


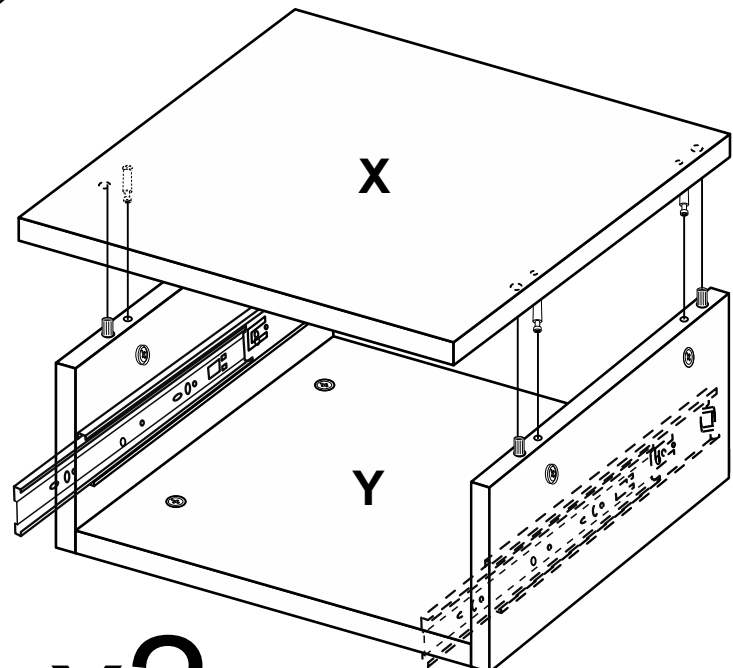
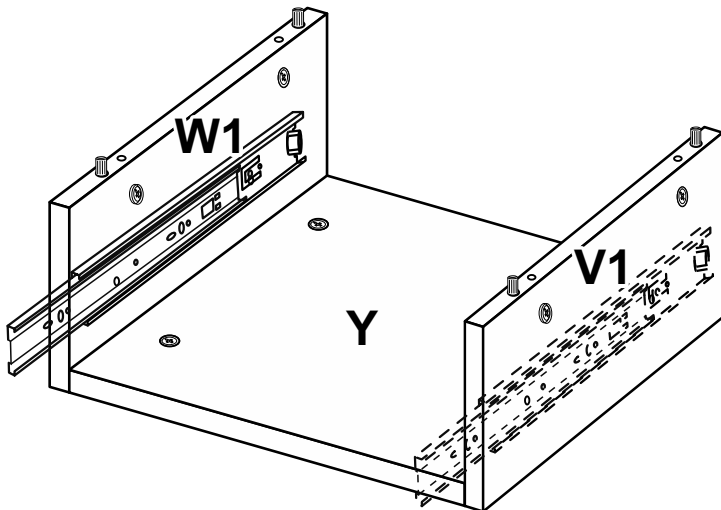
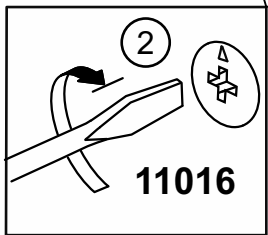
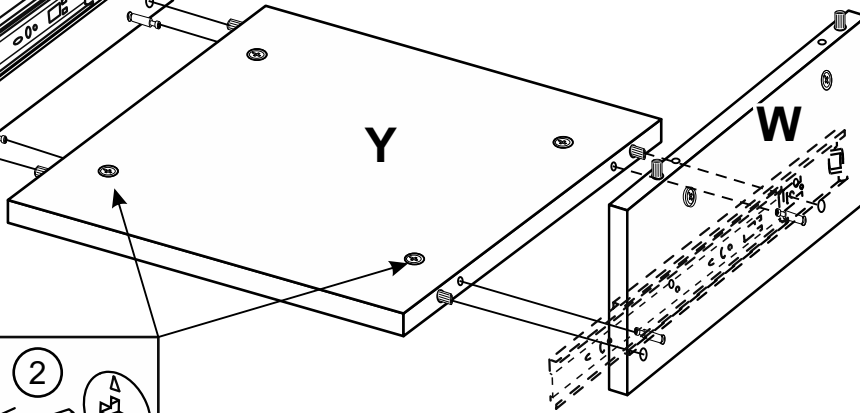
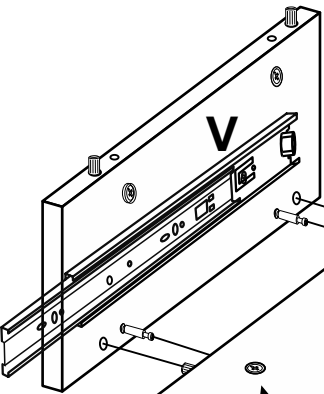
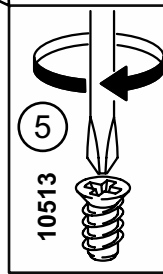
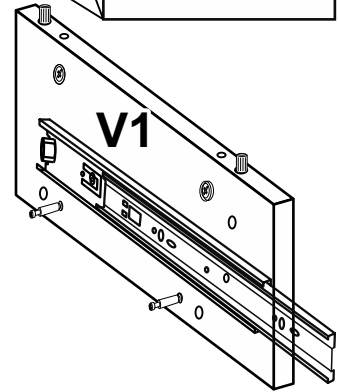
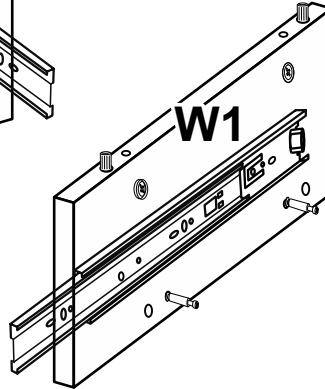
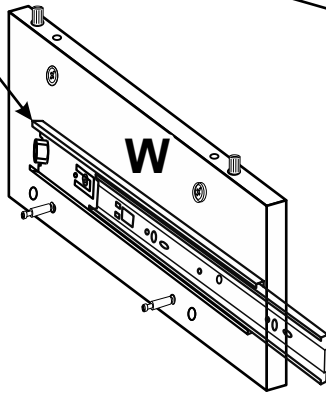
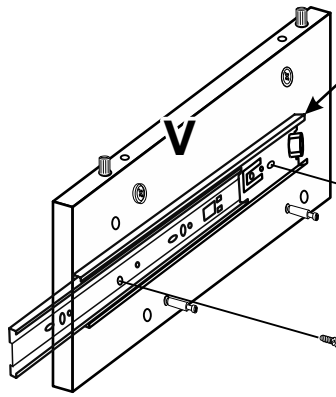
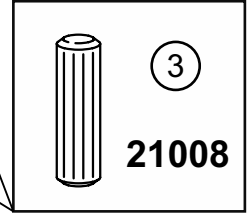
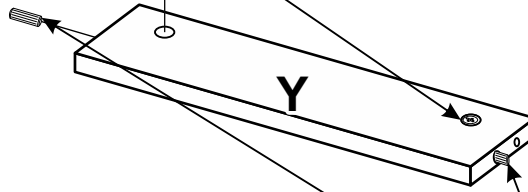
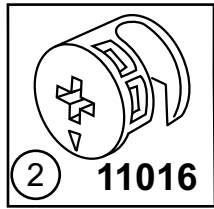
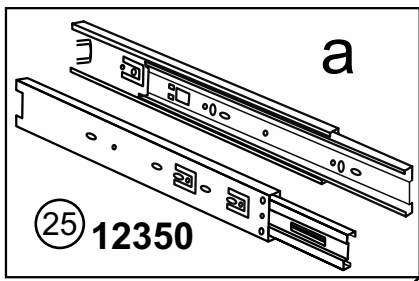


**x2**

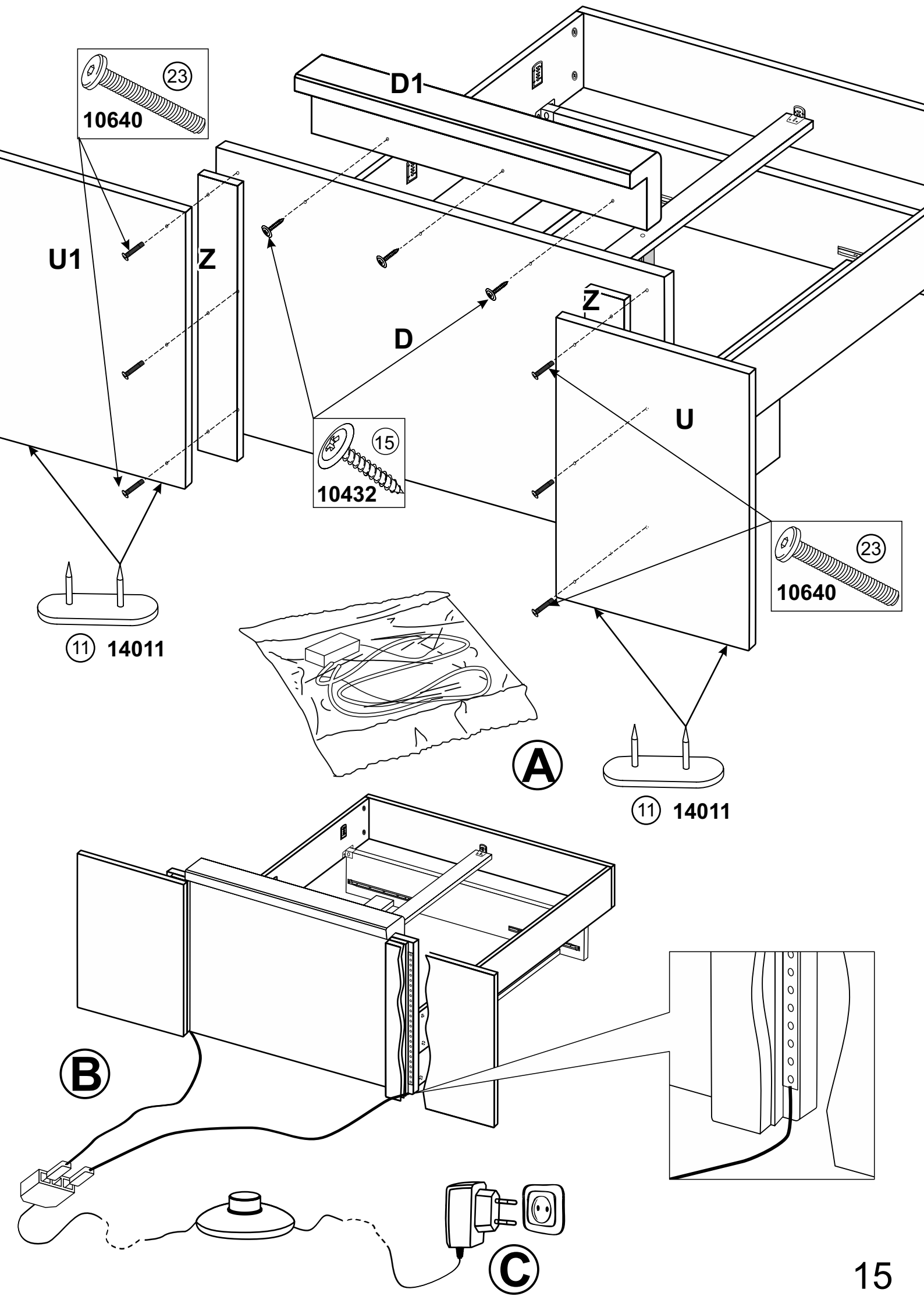


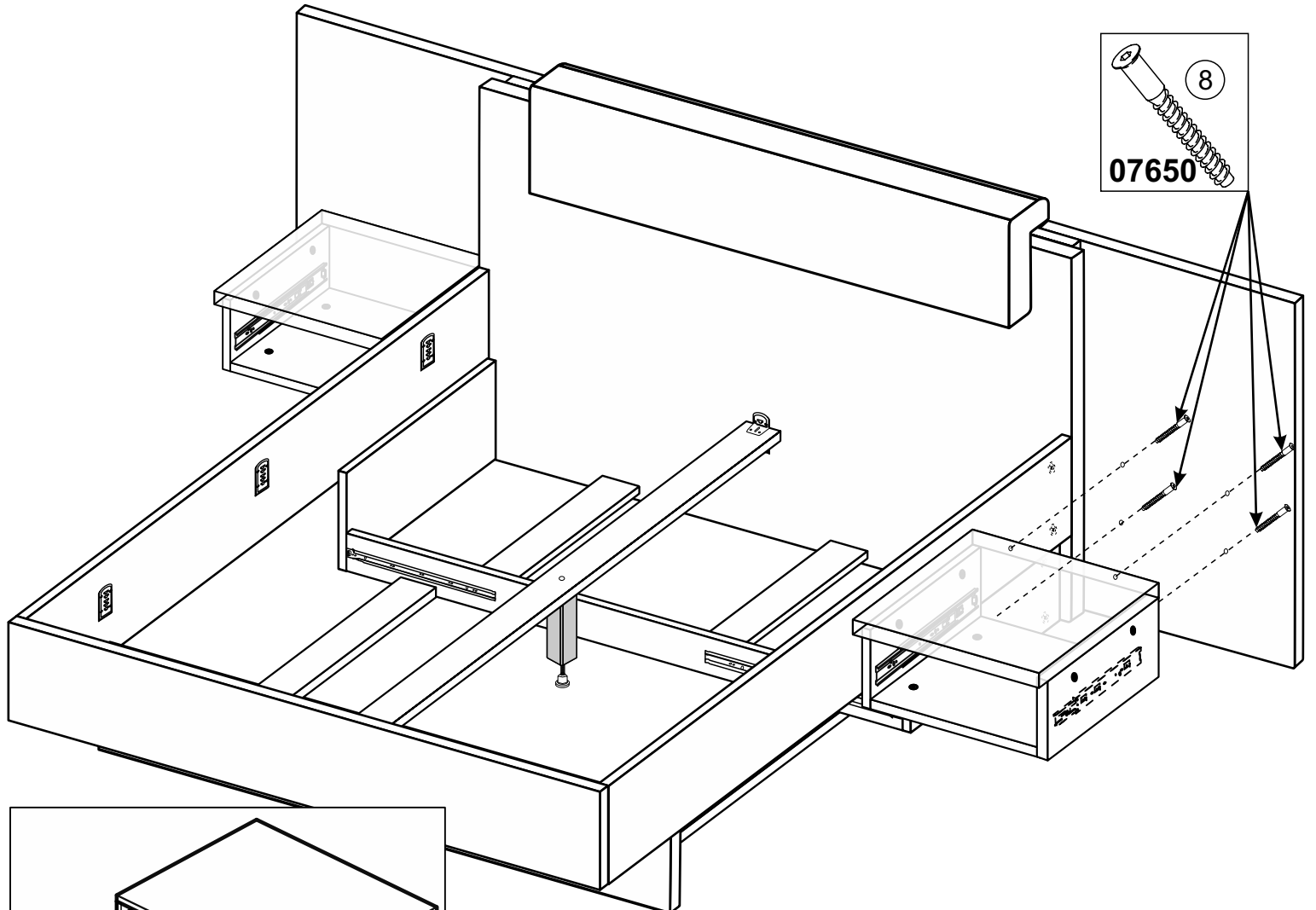




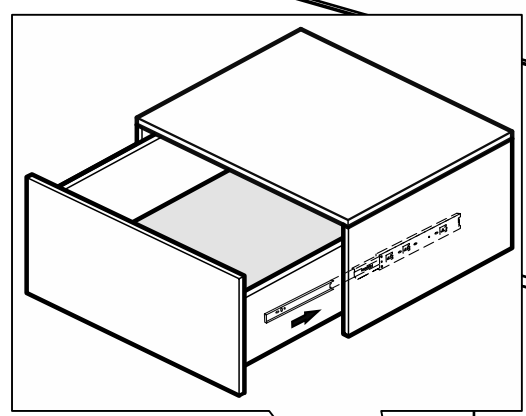


x2

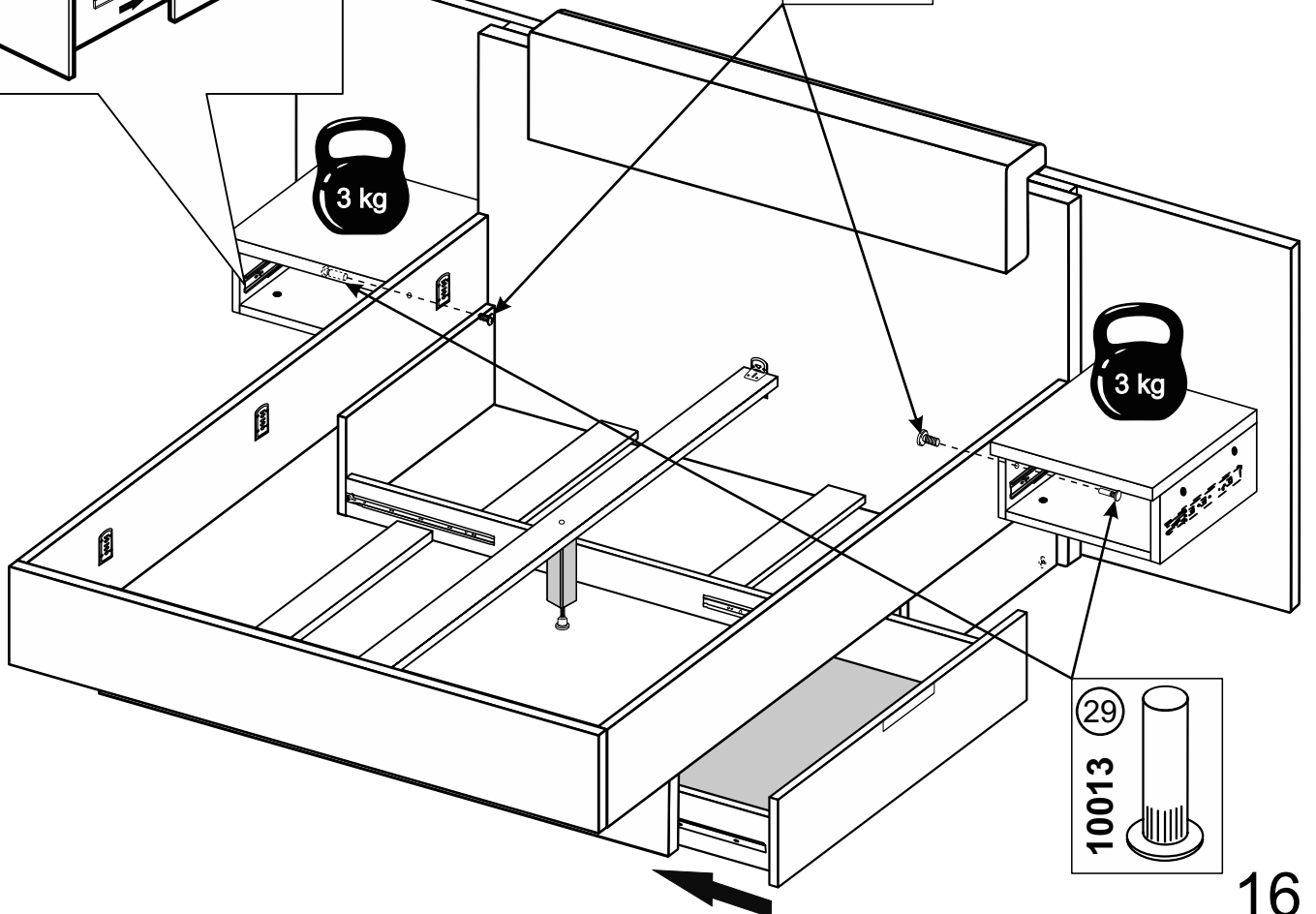




8  
07650



30  
10616



3 kg

3 kg

29  
10013