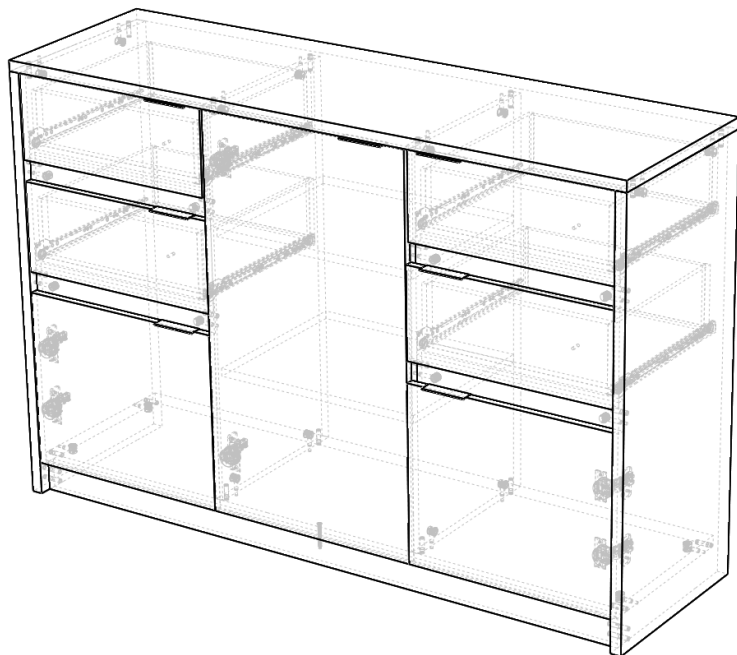




# DENVER K 3D 4SZ



INSTRUKCJA MONTAŻU • ASSEMBLY INSTRUCTION • MONTAGEANLEITUNG



PL

Czyszczenie należy wykonywać wyłącznie za pomocą ściereczki lub lekko nawilżonego ręcznika. Nie stosować środków czyszczących do szorowania.

Formularz reklamacyjny znajduje się na ostatniej stronie instrukcji montażu.



GB

Please only clean with a duster or a damp cloth. Do not use any abrasive cleaners.

The complaint form is on the last page.



DE

Bitte nur mit einem Staubtuch oder leicht feuchtem Lappen reinigen. Keine scheuerenden Putzmittel verwenden.

Das Beschwerdeformular befindet sich auf der letzten Seite.



CZ

Očistěte pouze hadříkem nebo mírně navlhčeným ručníkem. Nepoužívejte abrazivní čisticí prostředky.

Formulář stížnosti je na poslední stránce.



SK

Očistite ho handričkou alebo mierne navlhčenou handričkou. Nepoužívajte abrazívne čistiace prostriedky.

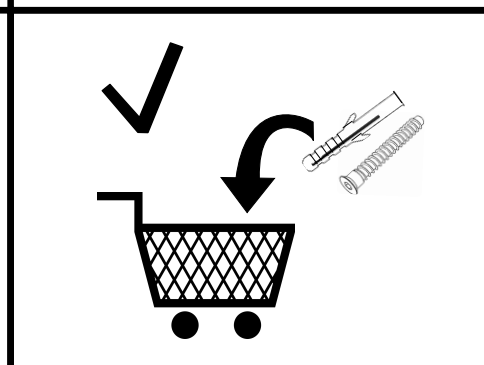
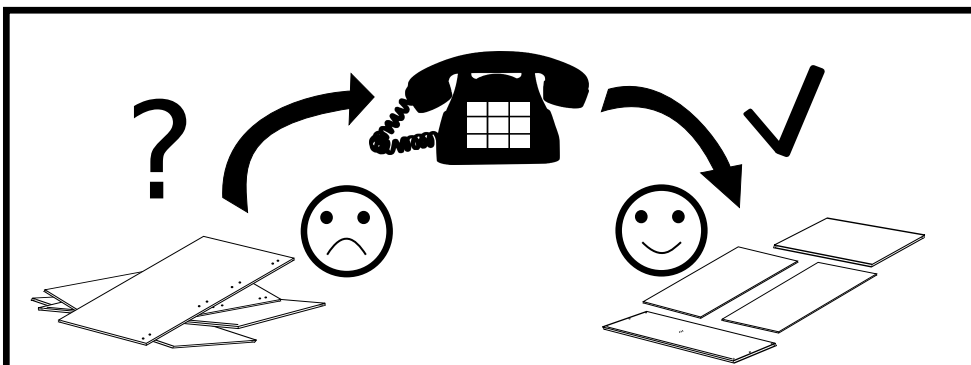
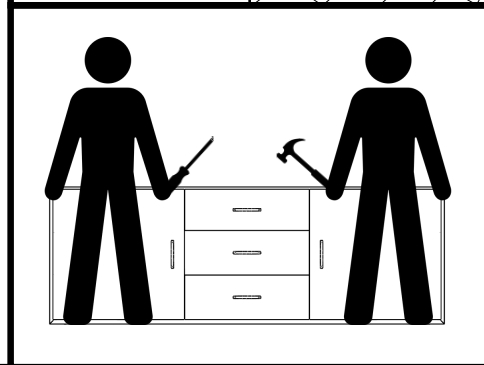
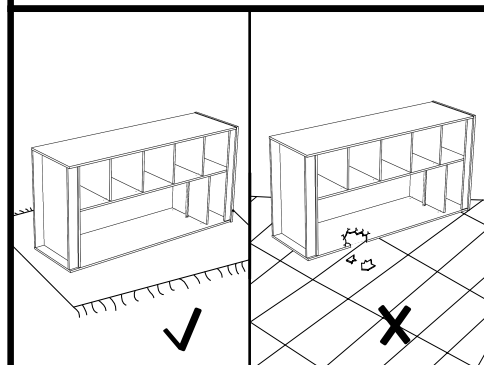
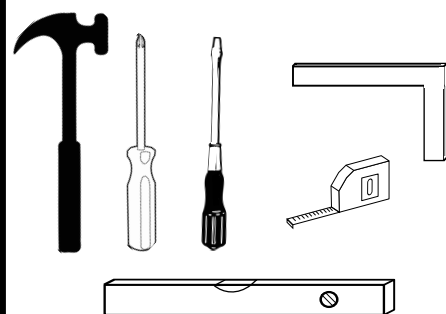
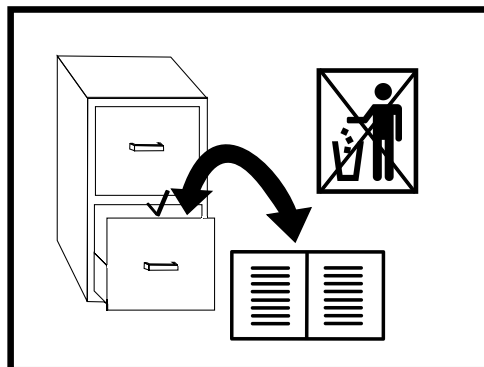
Formulár sťažnosti je na poslednej strane.




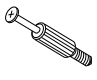
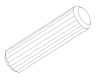
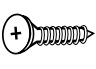


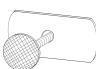









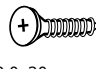

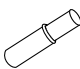
HU

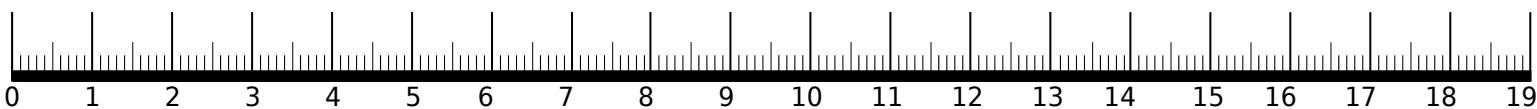
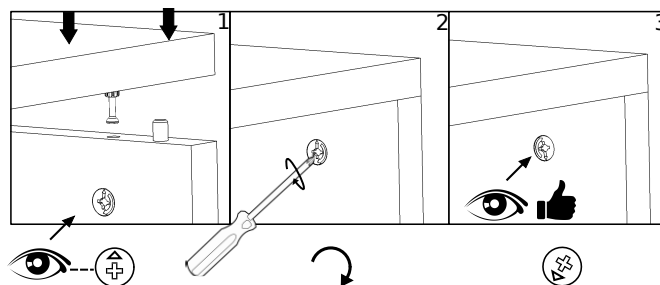
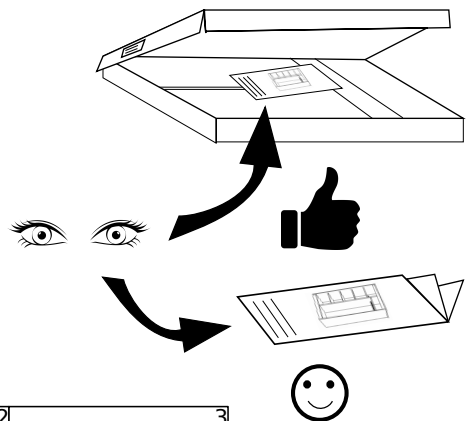
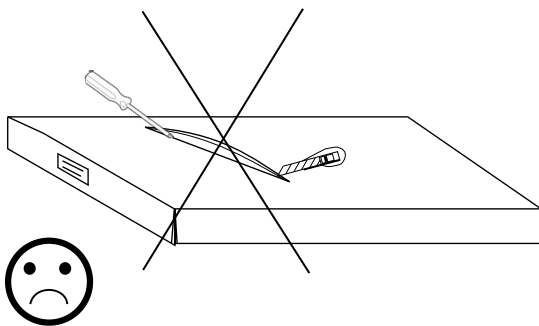
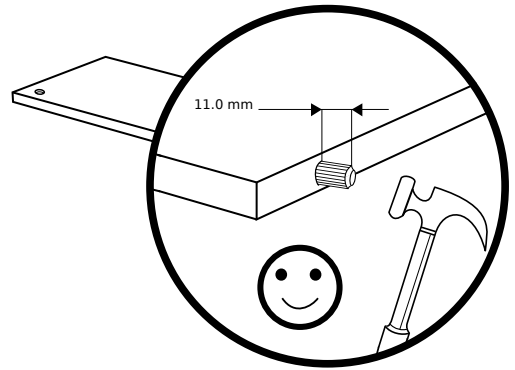
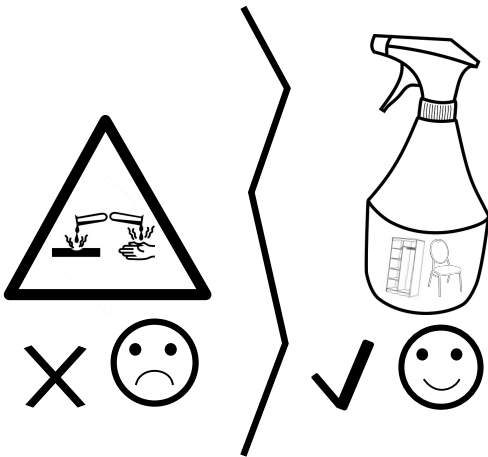
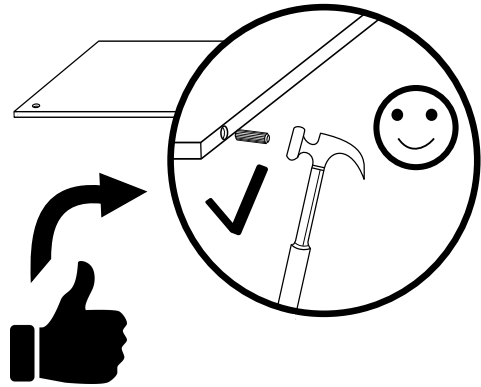
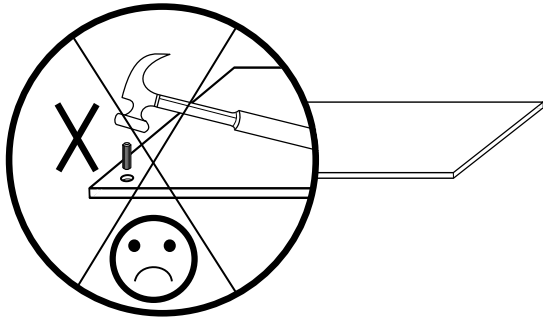
Tiszta egy ruhával vagy kissé megnedvesített törölközővel.

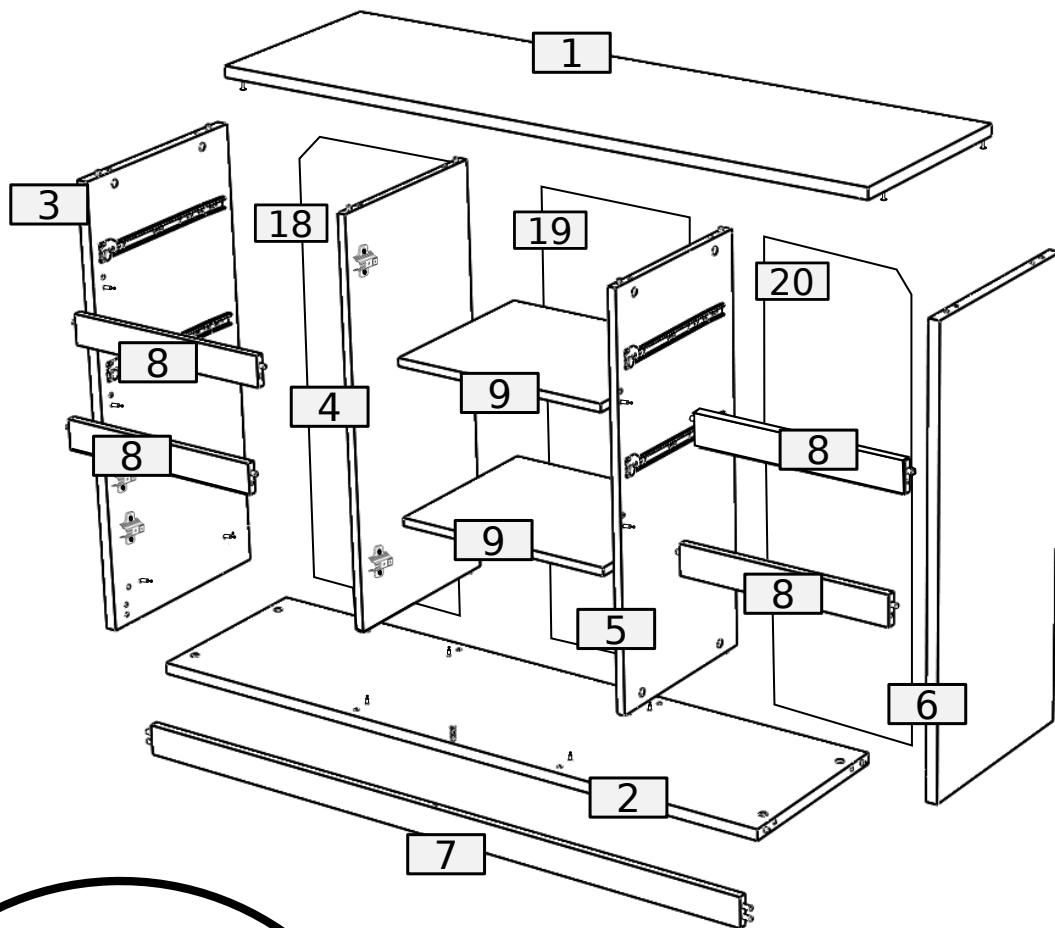
A panaszos úrlap megtalálható az utolsó oldalon.



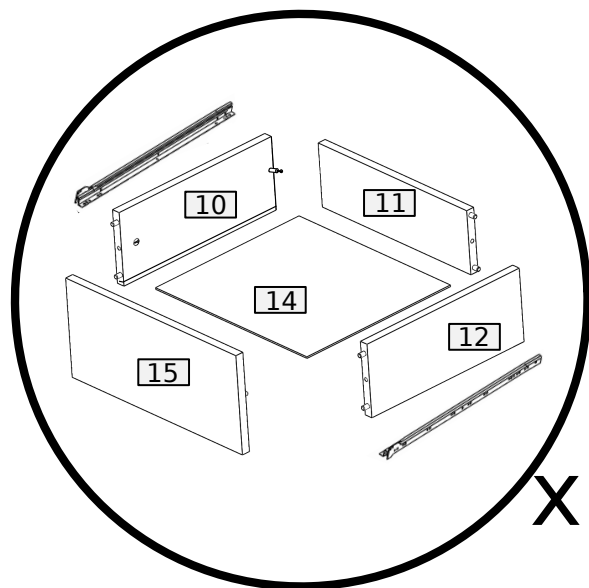
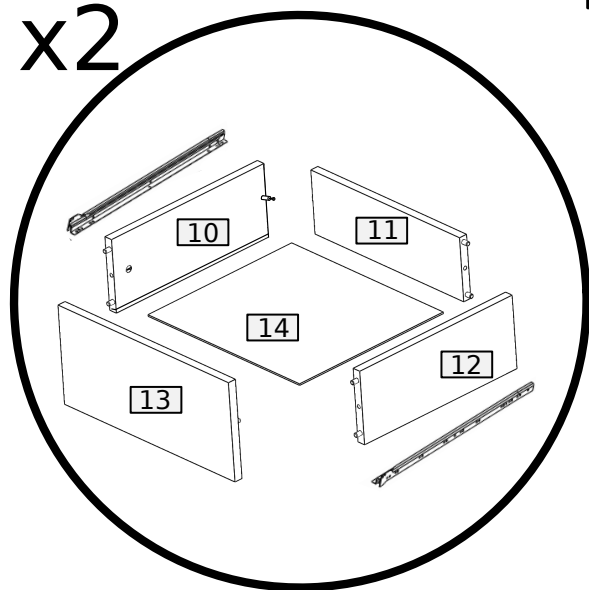
# Akcesoria • Accessories • Zobeheer

|                                                                                   |                                                                                   |                                                                                   |                                                                                   |                                                                                   |                                                                                   |                                                                                    |                                                                                     |                                                                                     |                                                                                     |
|-----------------------------------------------------------------------------------|-----------------------------------------------------------------------------------|-----------------------------------------------------------------------------------|-----------------------------------------------------------------------------------|-----------------------------------------------------------------------------------|-----------------------------------------------------------------------------------|------------------------------------------------------------------------------------|-------------------------------------------------------------------------------------|-------------------------------------------------------------------------------------|-------------------------------------------------------------------------------------|
| 40                                                                                | 40                                                                                | 60                                                                                | 44                                                                                | 14                                                                                | 32                                                                                | 12                                                                                 | 1                                                                                   | 1                                                                                   | 1                                                                                   |
|  |  |  |  |  |  |  |  |  |  |
| B                                                                                 | A 3.0x35                                                                          | D 3.5x16                                                                          | W2 3.0x16                                                                         | W3                                                                                | X                                                                                 | G1                                                                                 | O                                                                                   | X3                                                                                  | Q                                                                                   |
|  |  |  |  |  |  |  |  |  |                                                                                     |
| I                                                                                 | Z                                                                                 | Z2                                                                                | PZ                                                                                | UD                                                                                | G                                                                                 | W1                                                                                 | L-350                                                                               | S3                                                                                  |                                                                                     |
| 7                                                                                 | 4                                                                                 | 2                                                                                 | 6                                                                                 | 7                                                                                 | 14                                                                                | 16                                                                                 | 4                                                                                   | 8                                                                                   |                                                                                     |



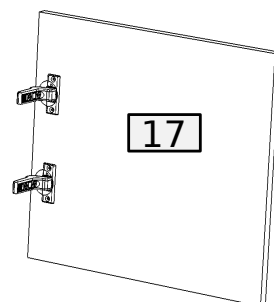
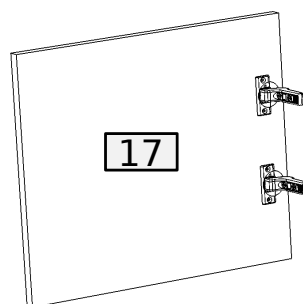
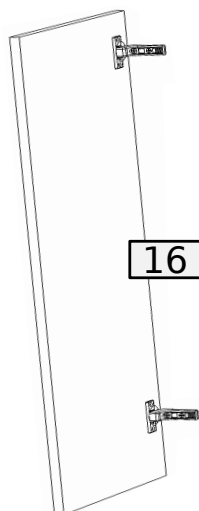


x2

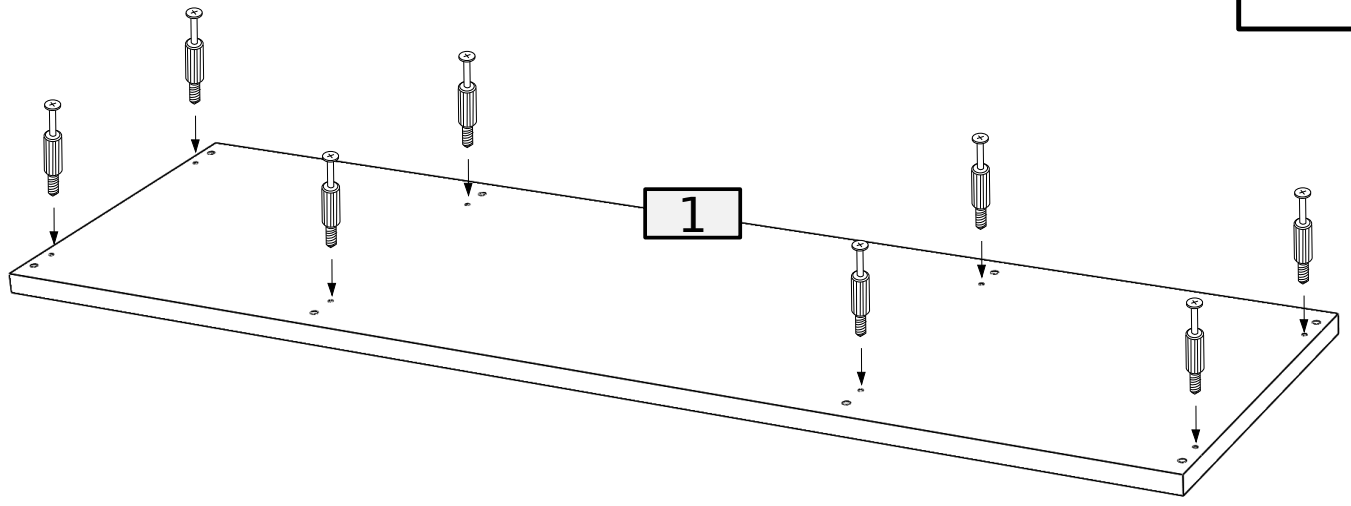
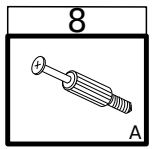


x2

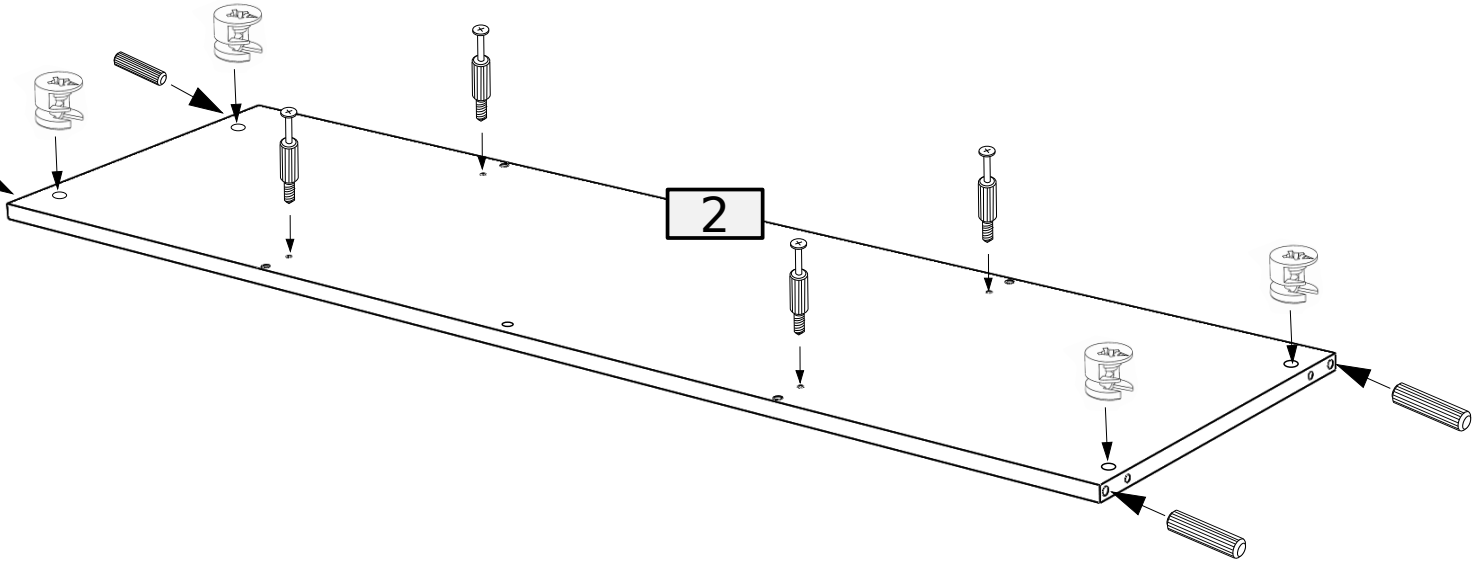
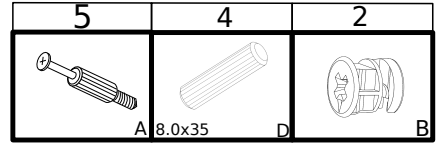
| No. | Pcs. | L    | W   | T  | T(polysk) | Pac |
|-----|------|------|-----|----|-----------|-----|
| 1   | 1    | 1350 | 400 | 22 | -         | 2/3 |
| 2   | 1    | 1306 | 360 | 16 | -         | 2/3 |
| 3   | 1    | 878  | 400 | 22 | -         | 1/3 |
| 4   | 1    | 802  | 360 | 16 | -         | 1/3 |
| 5   | 1    | 802  | 360 | 16 | -         | 1/3 |
| 6   | 1    | 878  | 400 | 22 | -         | 1/3 |
| 7   | 1    | 1305 | 60  | 16 | -         | 2/3 |
| 8   | 4    | 420  | 60  | -  | 15        | 2/3 |
| 9   | 2    | 433  | 350 | 16 | -         | 1/3 |
| 10  | 2    | 350  | 140 | 16 | -         | 2/3 |
| 11  | 2    | 363  | 122 | 16 | -         | 2/3 |
| 12  | 2    | 350  | 140 | 16 | -         | 2/3 |
| 13  | 2    | 424  | 189 | 16 | -         | 3/3 |
| 14  | 2    | 357  | 378 | 3  | -         | 3/3 |
| 15  | 2    | 424  | 189 | 16 | -         | 3/3 |
| 16  | 1    | 813  | 444 | 16 | -         | 3/3 |
| 17  | 2    | 355  | 424 | 16 | -         | 3/3 |
| 18  | 1    | 825  | 435 | 3  | -         | 3/3 |
| 19  | 1    | 825  | 450 | 3  | -         | 3/3 |
| 20  | 1    | 825  | 435 | 3  | -         | 3/3 |



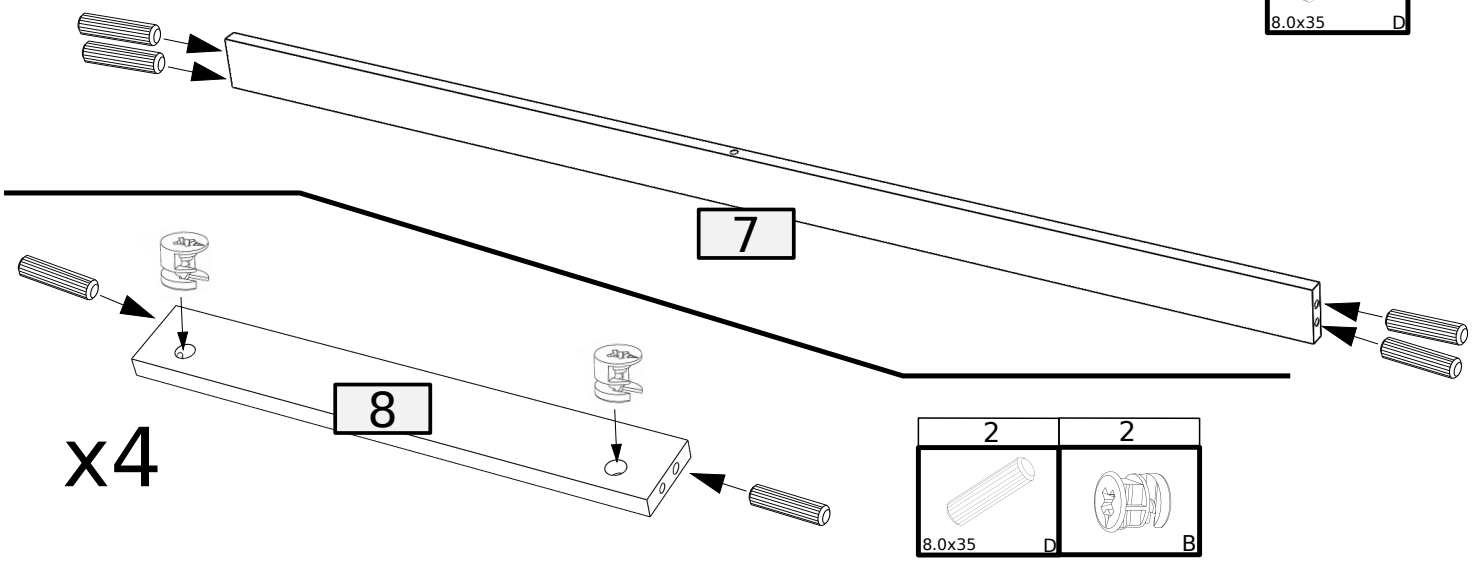
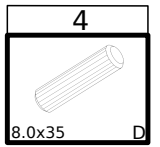
1



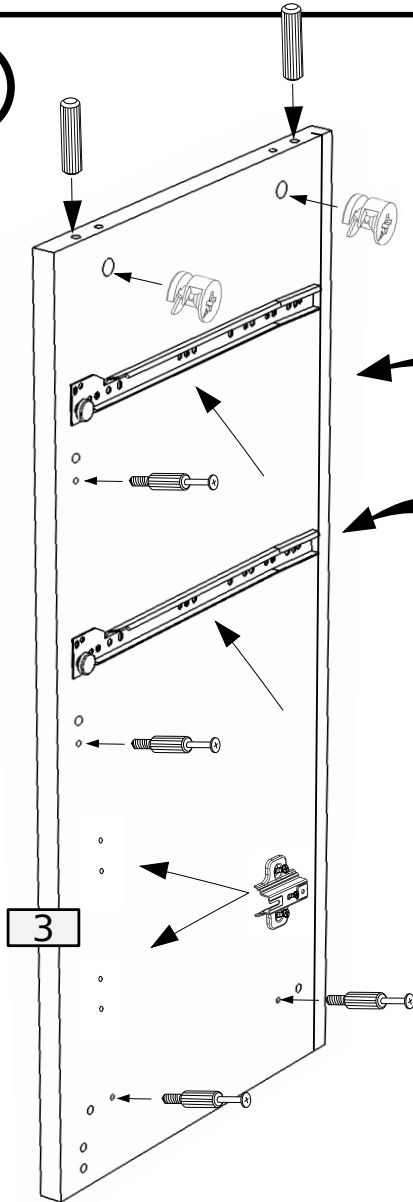
2



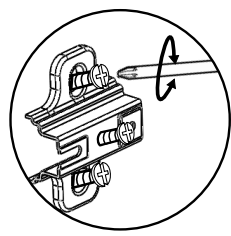
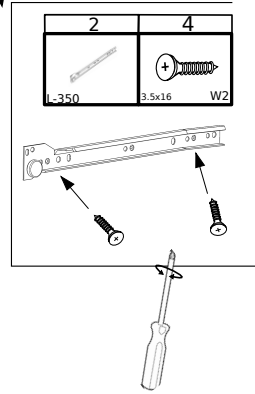
3



4

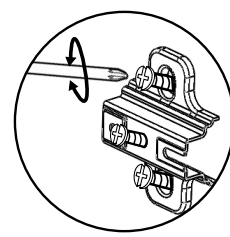
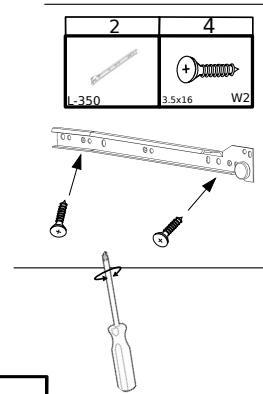
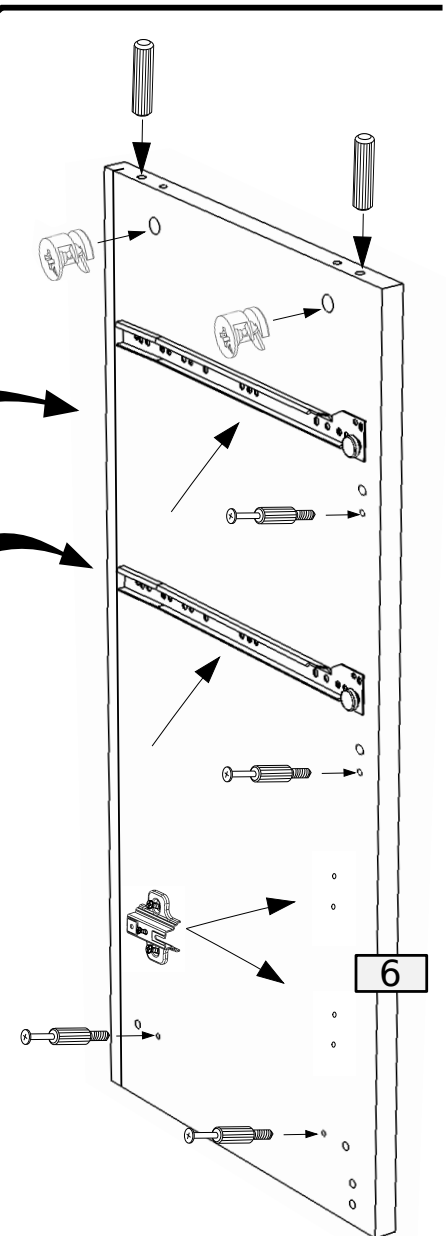


|          |   |   |    |
|----------|---|---|----|
| 2        | 2 | 4 | 2  |
|          |   |   |    |
| B 8.0x35 | D | A | PZ |



3

5






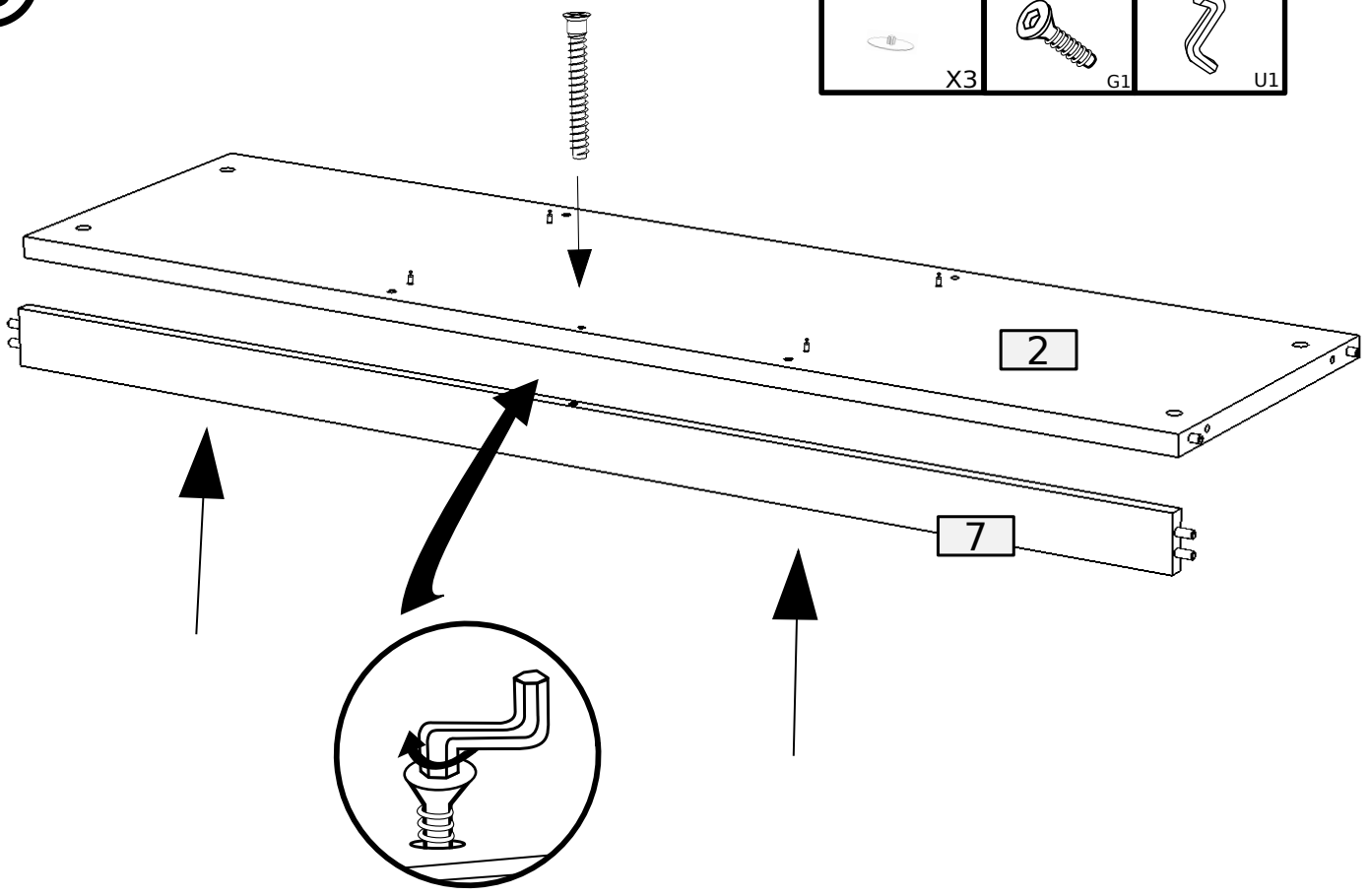
6

|          |   |   |    |
|----------|---|---|----|
| 2        | 2 | 4 | 2  |
|          |   |   |    |
| B 8.0x35 | D | A | PZ |

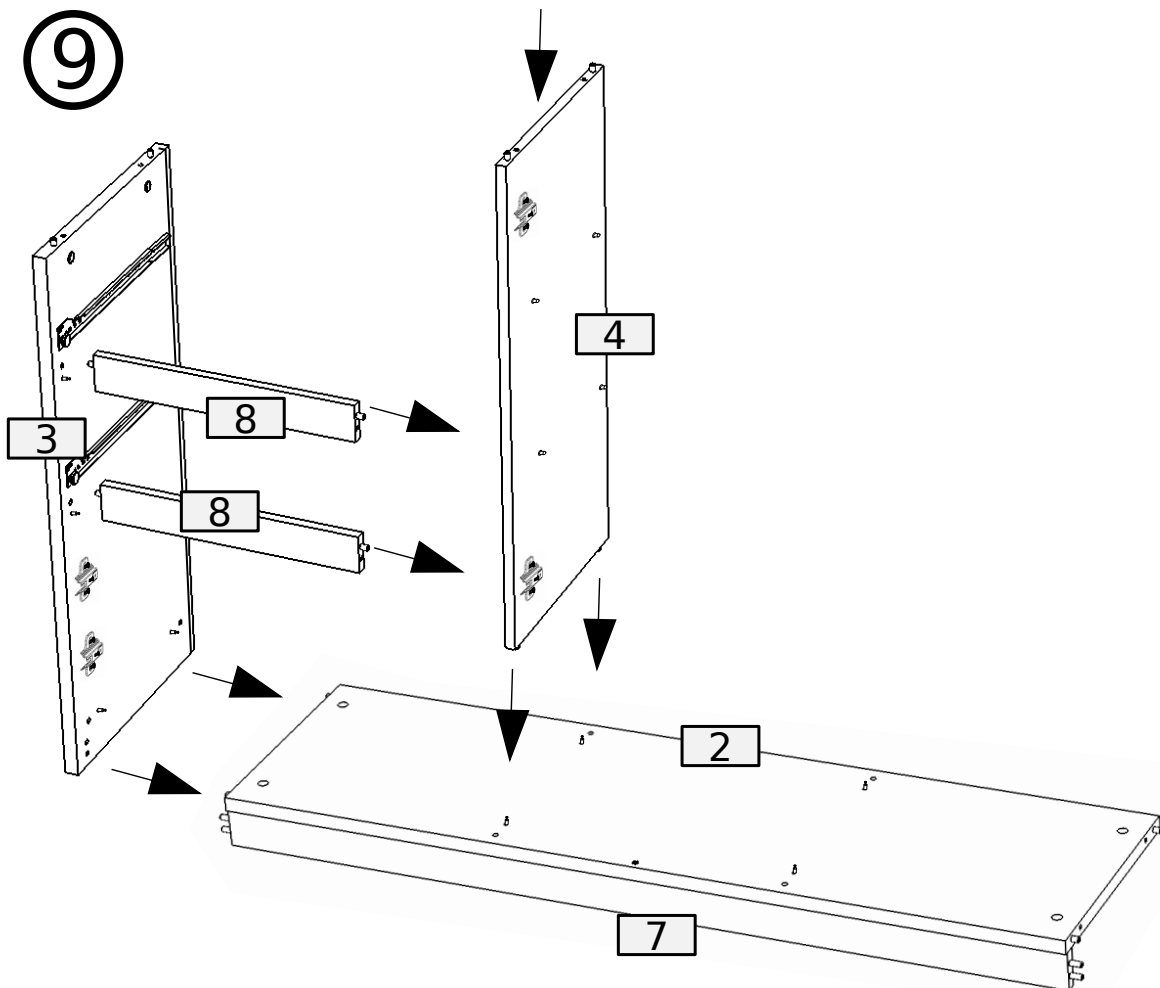
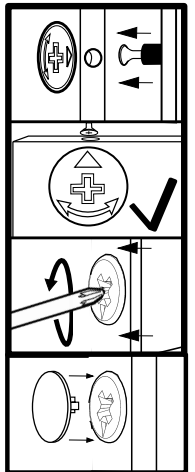


8

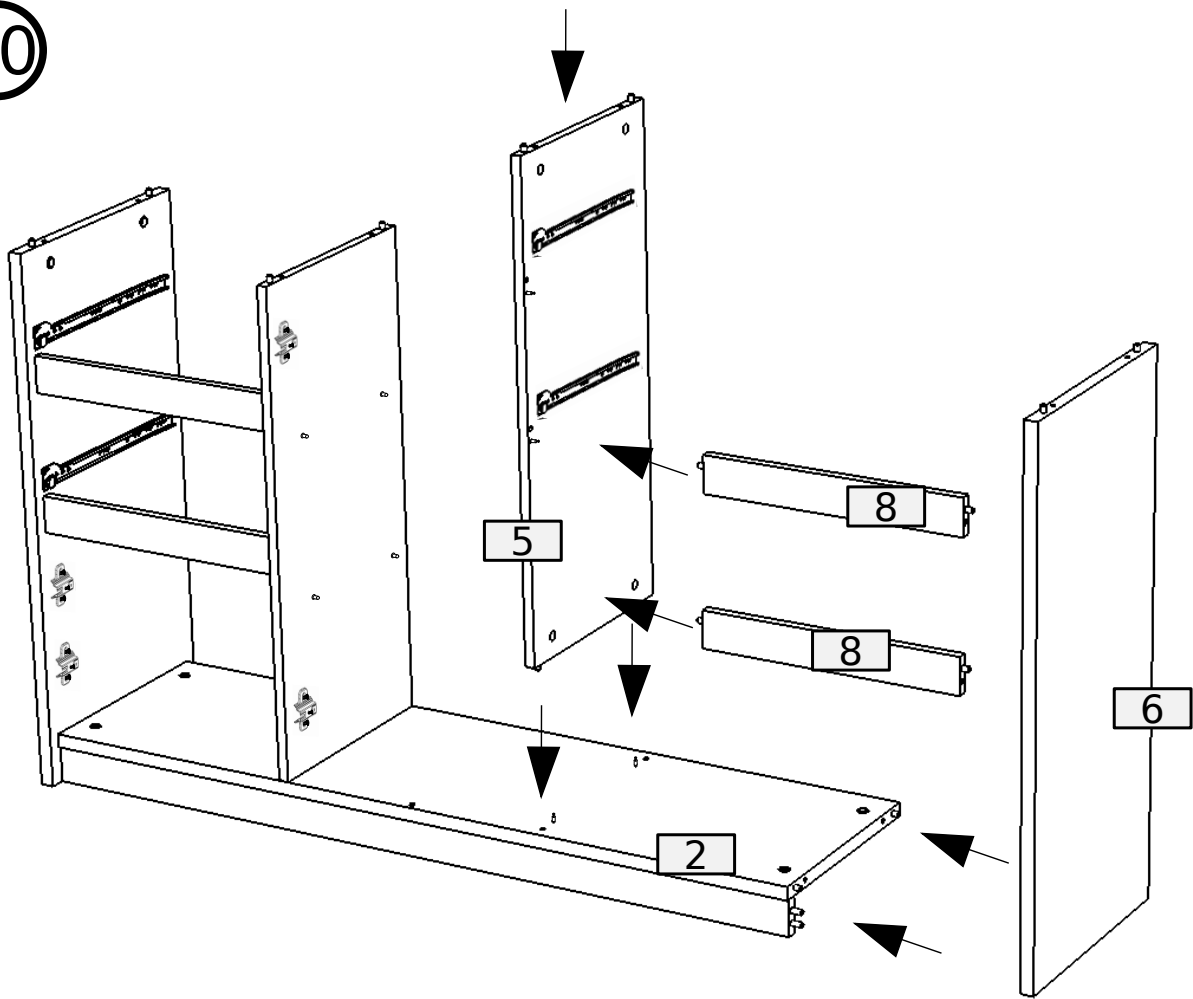
|                                                                                     |                                                                                     |                                                                                     |
|-------------------------------------------------------------------------------------|-------------------------------------------------------------------------------------|-------------------------------------------------------------------------------------|
| 1                                                                                   | 1                                                                                   | 1                                                                                   |
|  |  |  |
| X3                                                                                  | G1                                                                                  | U1                                                                                  |



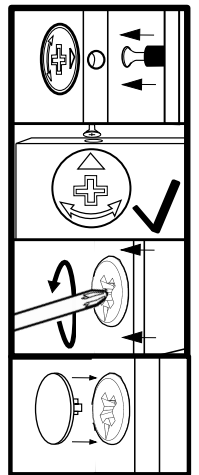
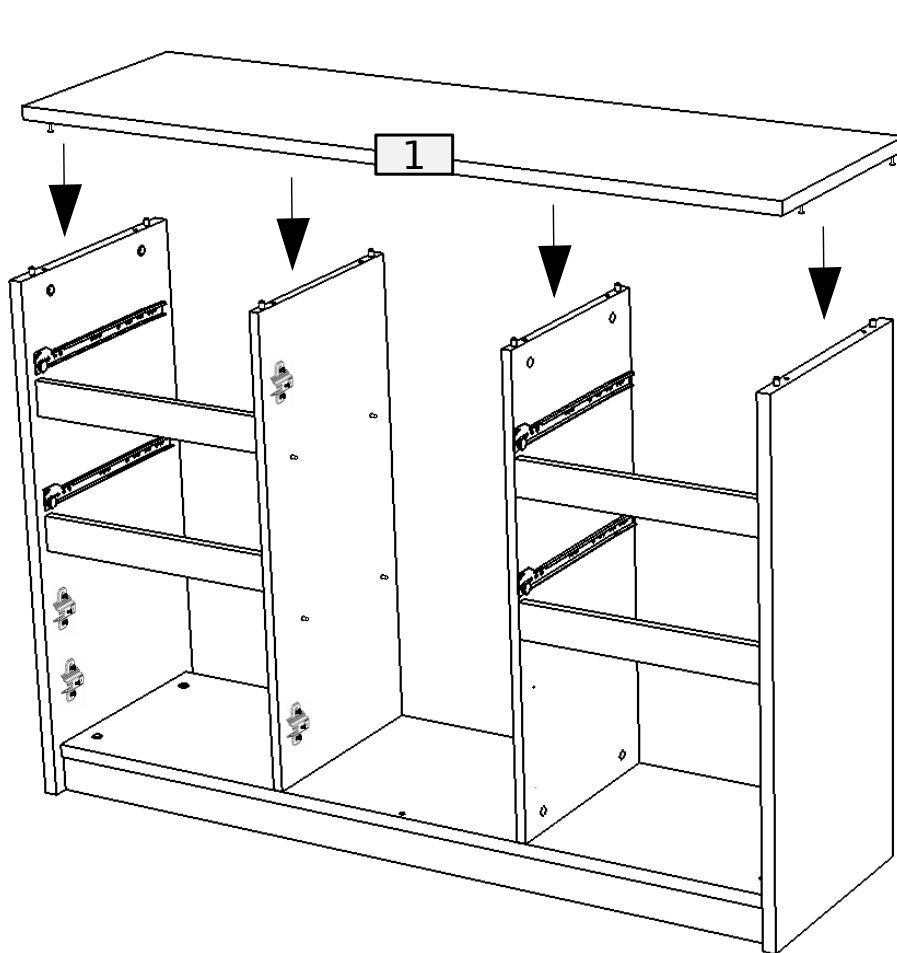
9



10

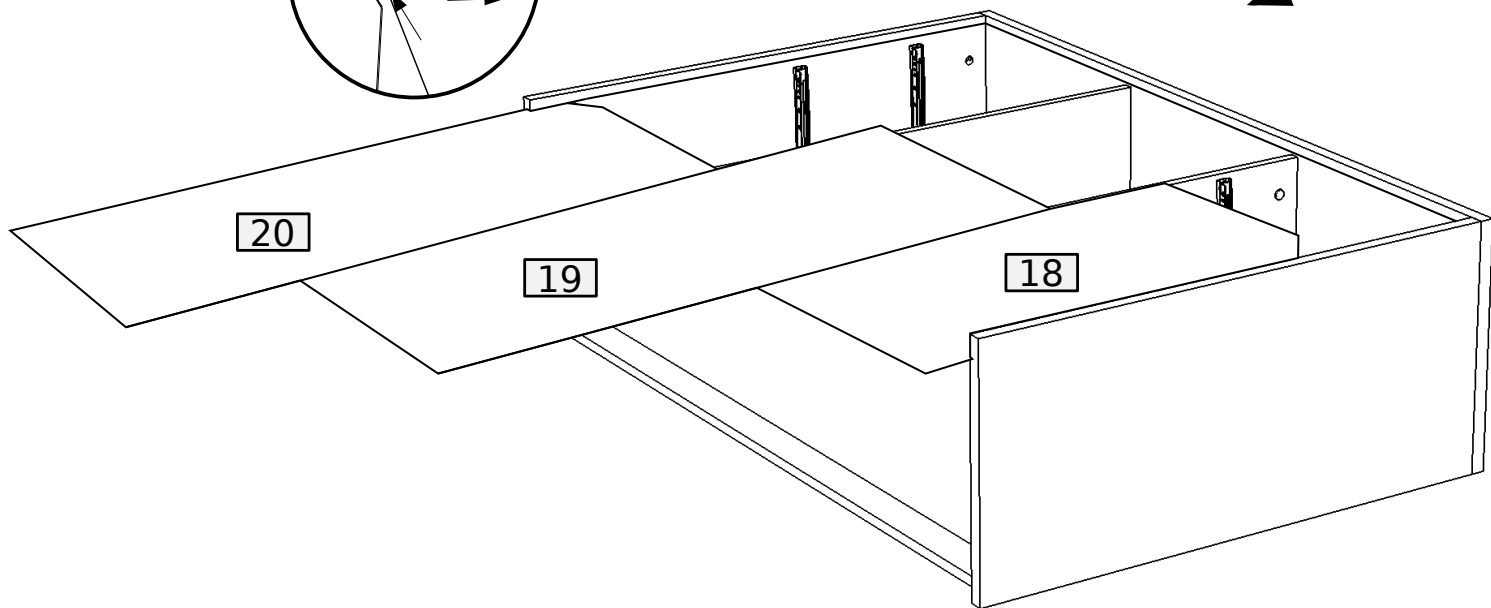
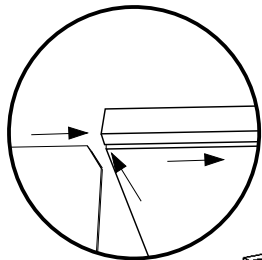


11

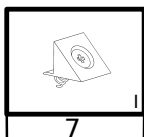
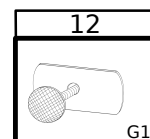
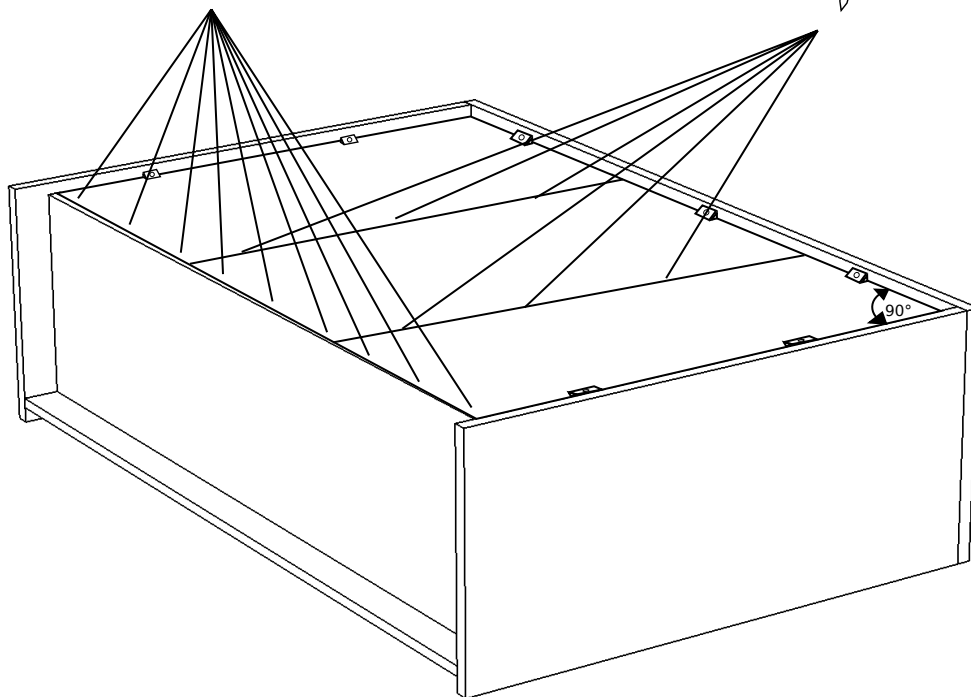
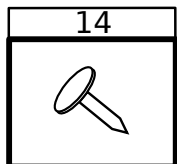
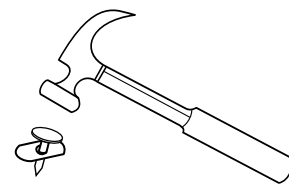
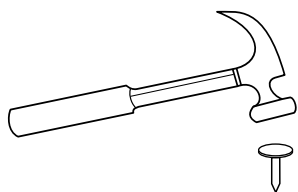




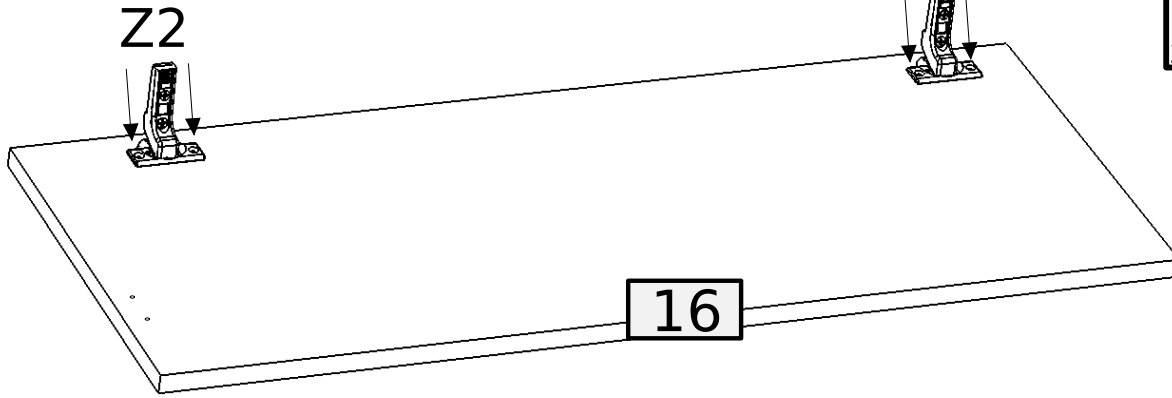
12





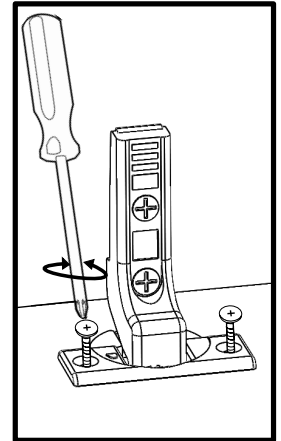
13



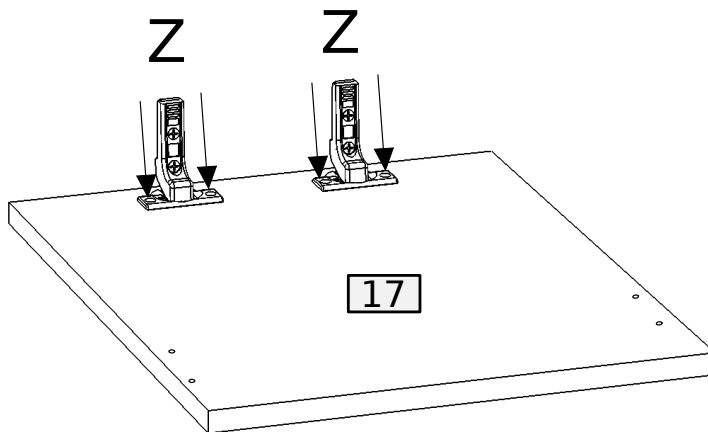
14





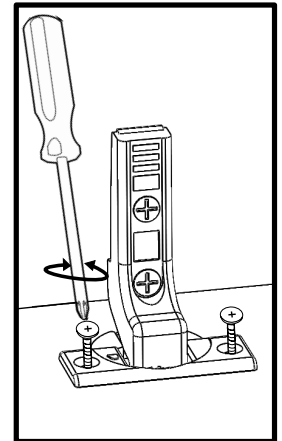
|                                                                                     |                                                                                     |
|-------------------------------------------------------------------------------------|-------------------------------------------------------------------------------------|
| 4                                                                                   | 2                                                                                   |
|  |  |
| 3.5x16 W2                                                                           | Z2                                                                                  |



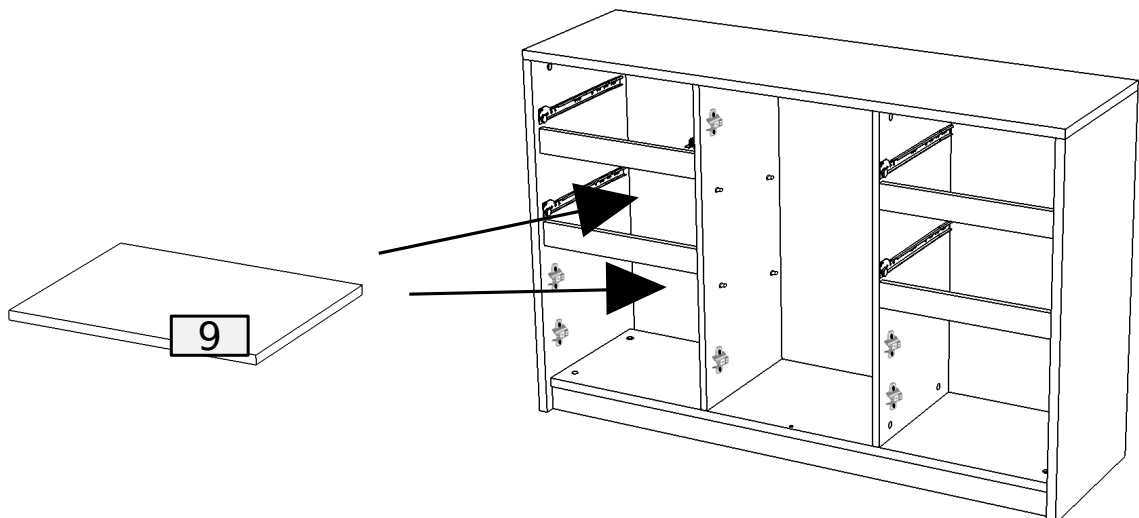
15 x2



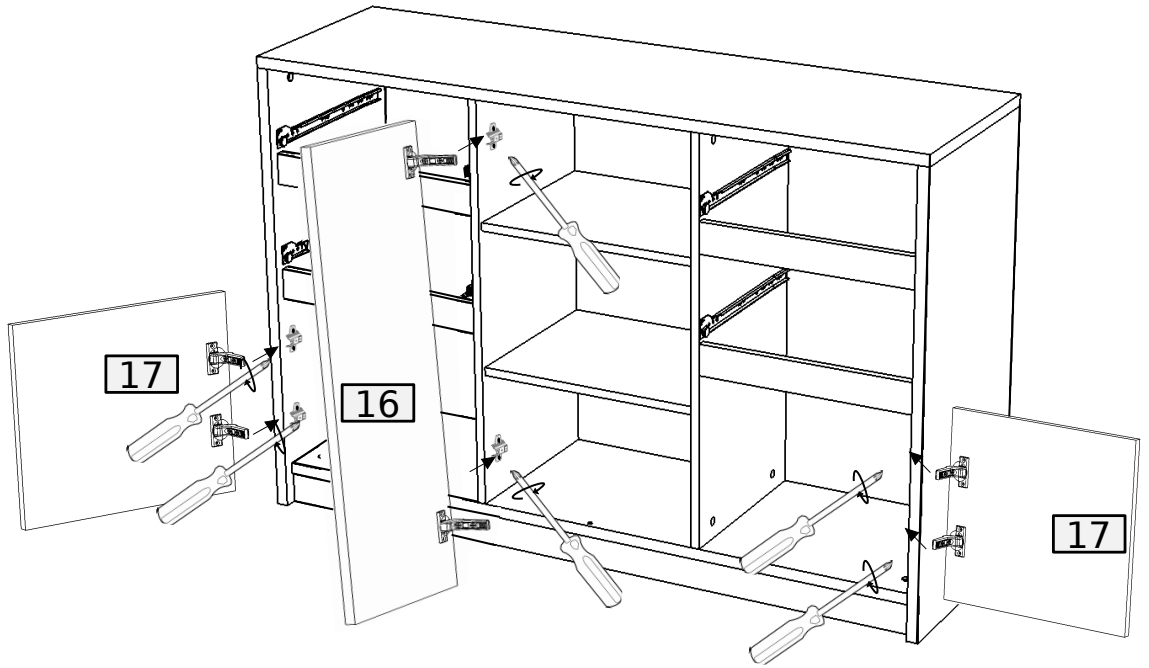
|                                                                                     |                                                                                     |
|-------------------------------------------------------------------------------------|-------------------------------------------------------------------------------------|
| 4                                                                                   | 2                                                                                   |
|  |  |
| 3.5x16 W2                                                                           | Z                                                                                   |



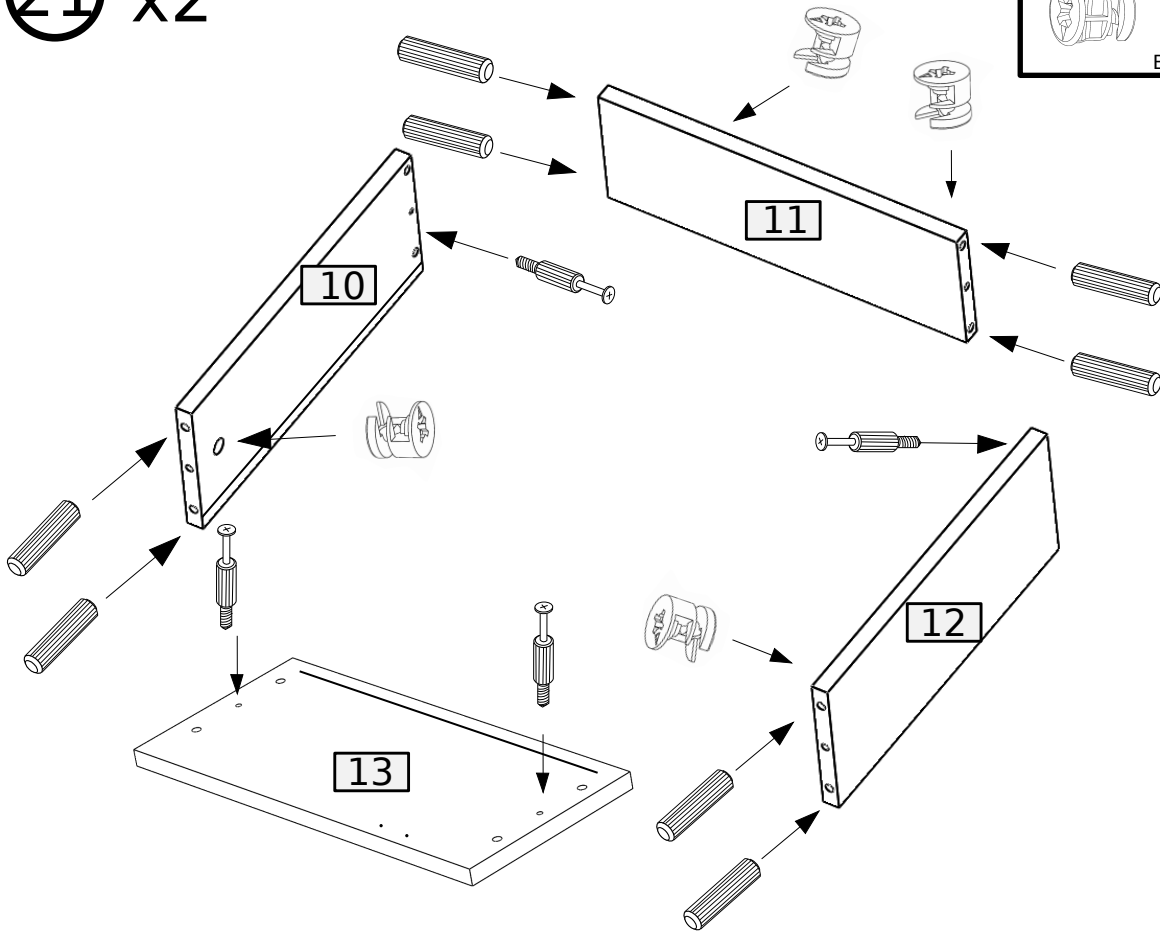
16



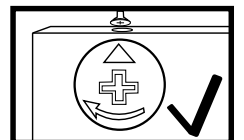
16




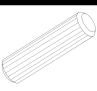
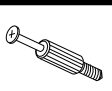
21 x2

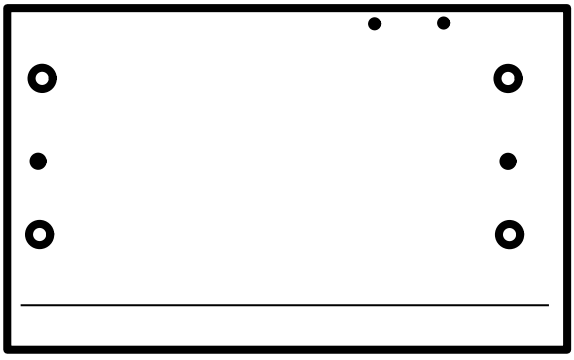
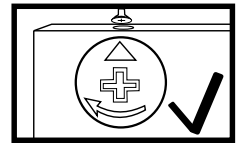
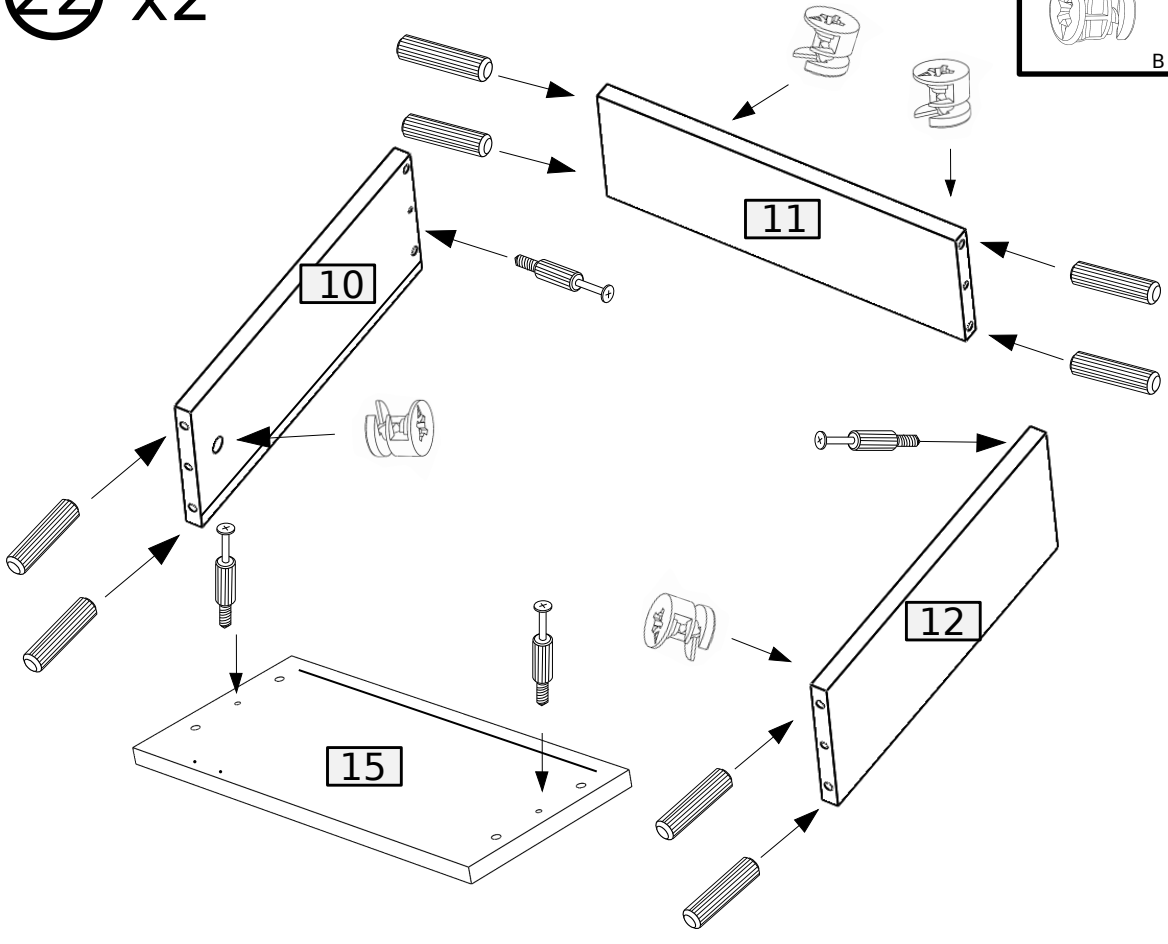


| 4        | 8 | 4 |
|----------|---|---|
|          |   |   |
| B 8.0x35 | D | A |

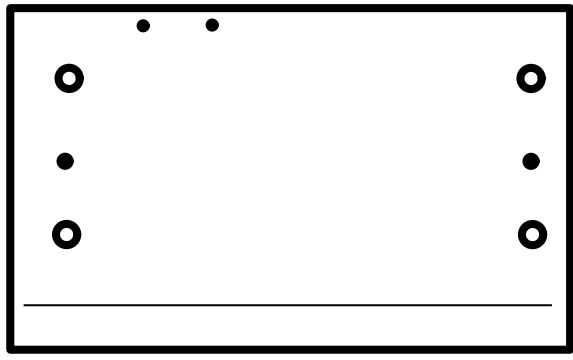


22 x2

|                                                                                    |                                                                                    |                                                                                    |
|------------------------------------------------------------------------------------|------------------------------------------------------------------------------------|------------------------------------------------------------------------------------|
| 4                                                                                  | 8                                                                                  | 4                                                                                  |
|  |  |  |
|                                                                                    | B 8.0x35                                                                           | D A                                                                                |

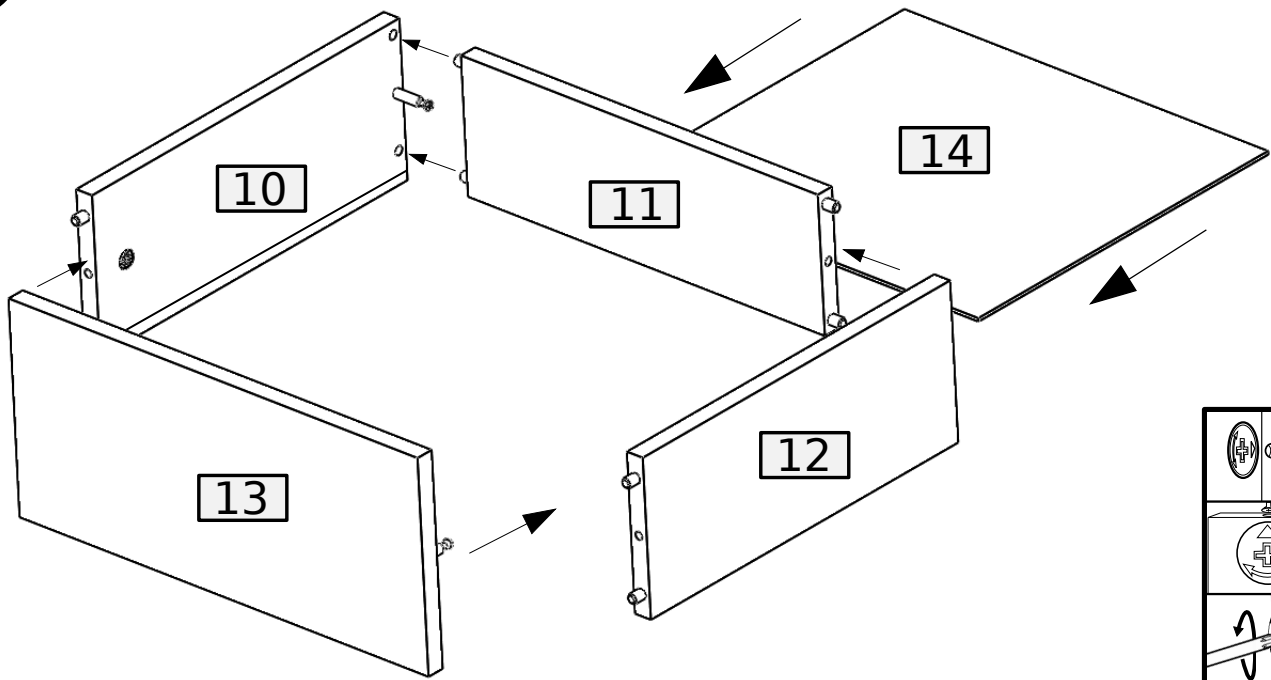


15

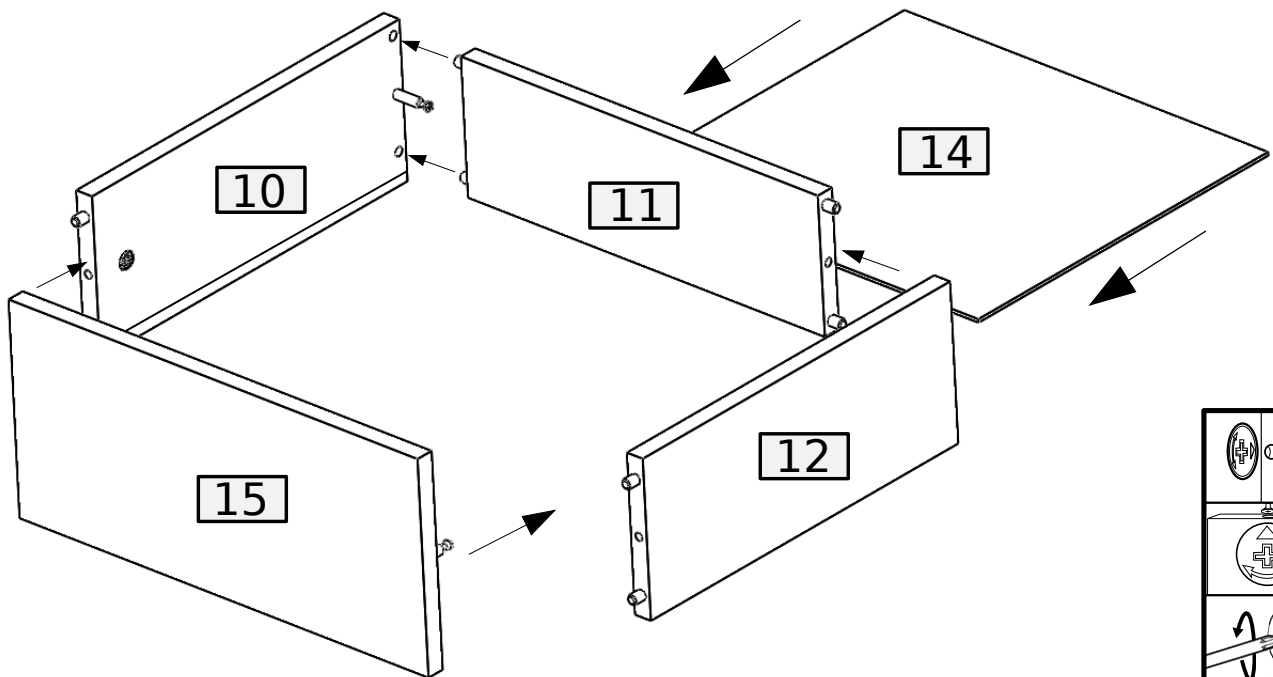


13

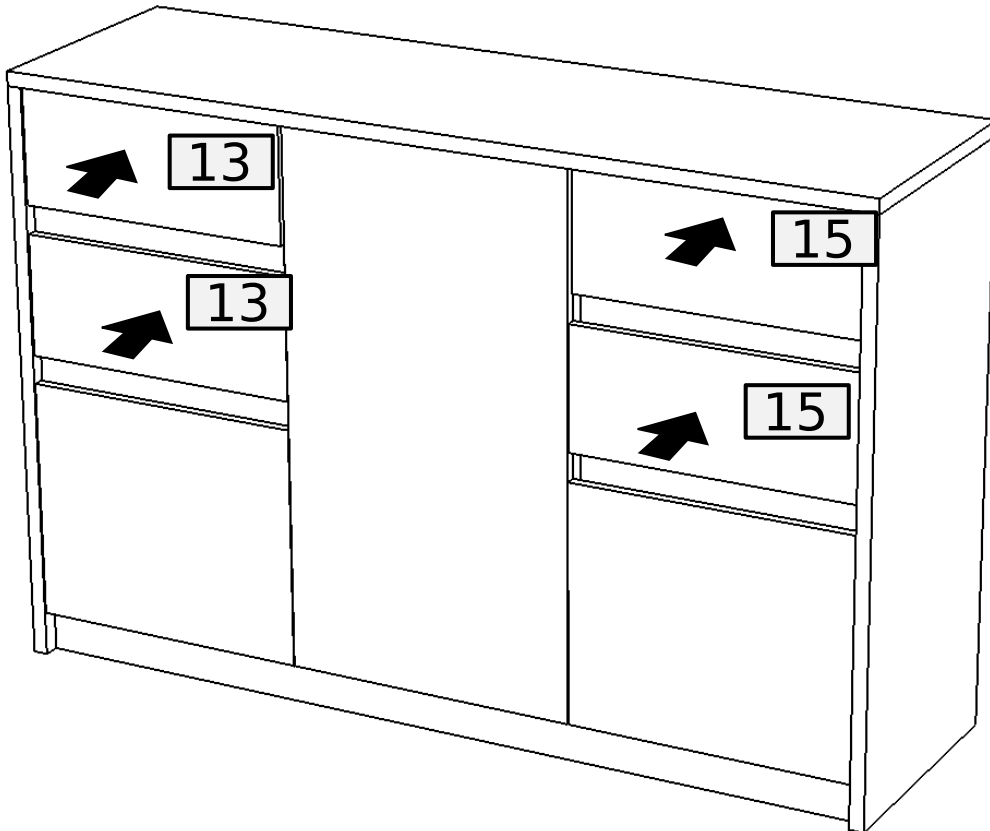
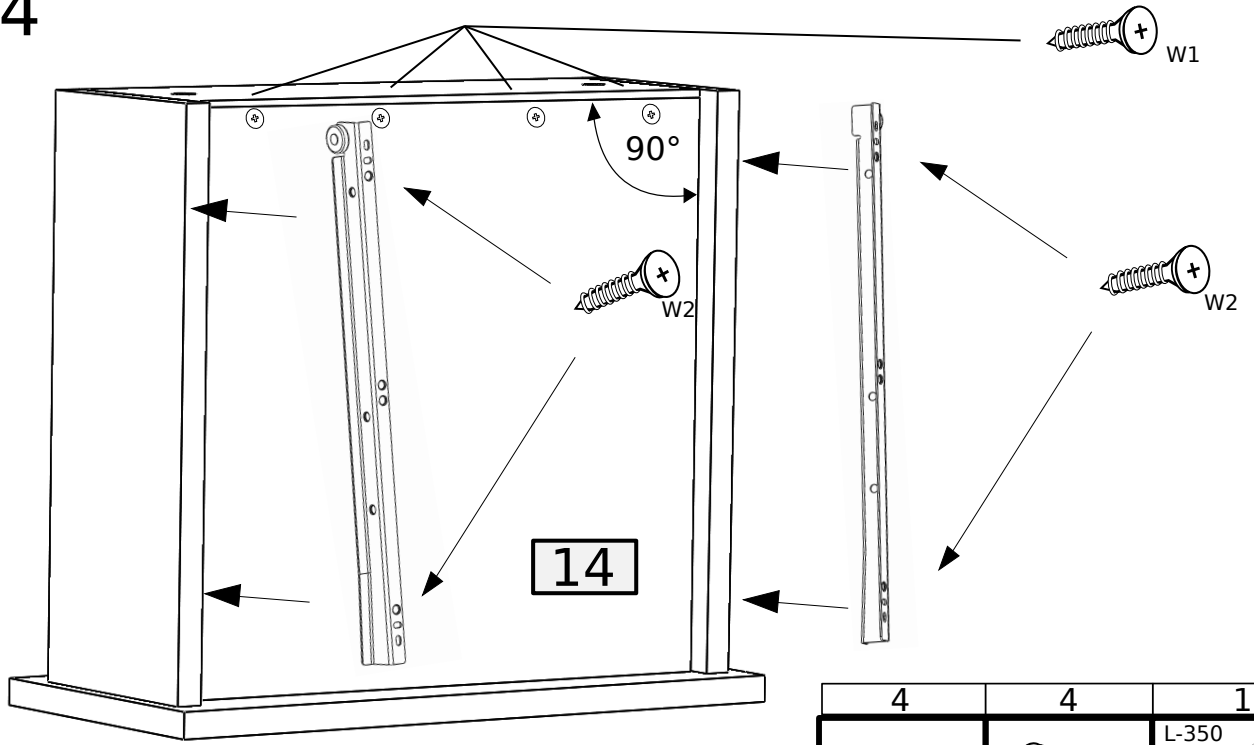
23 x2

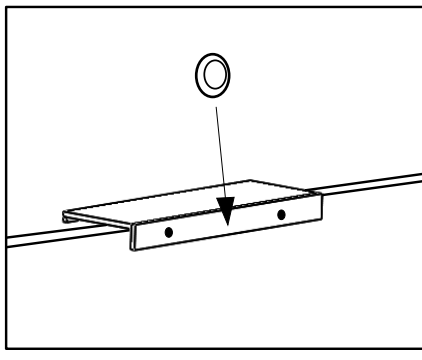
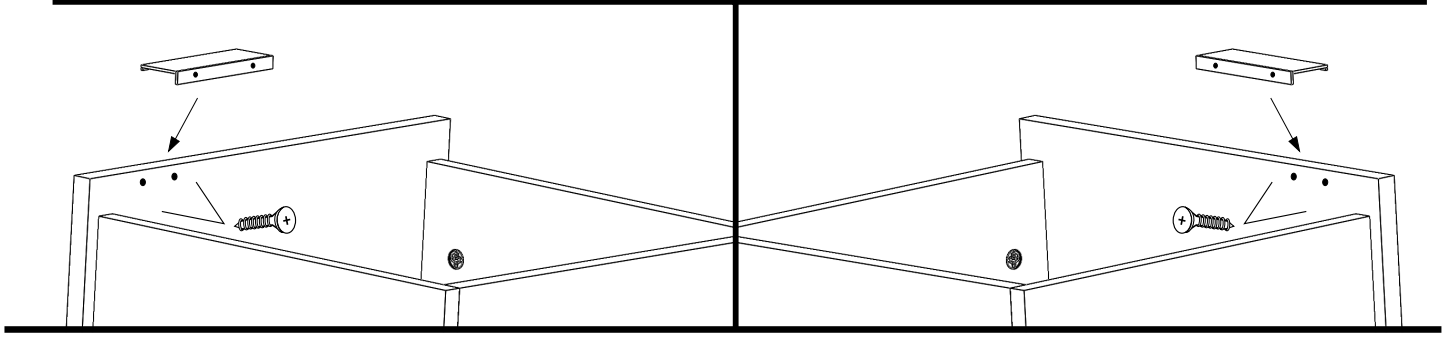
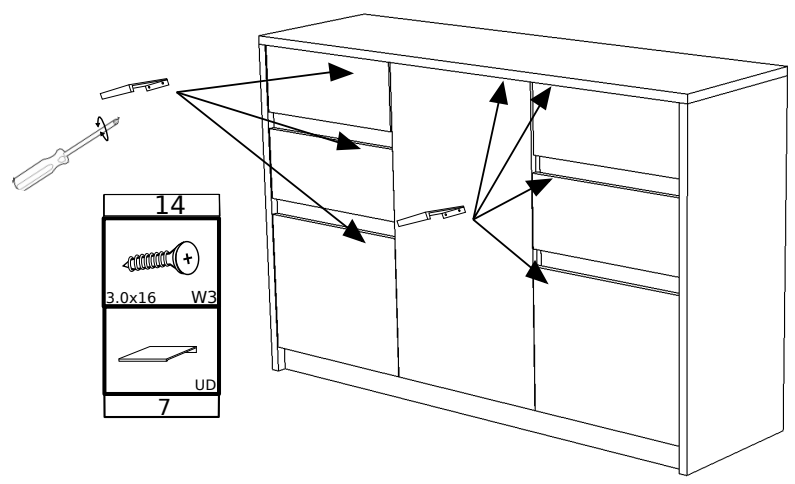
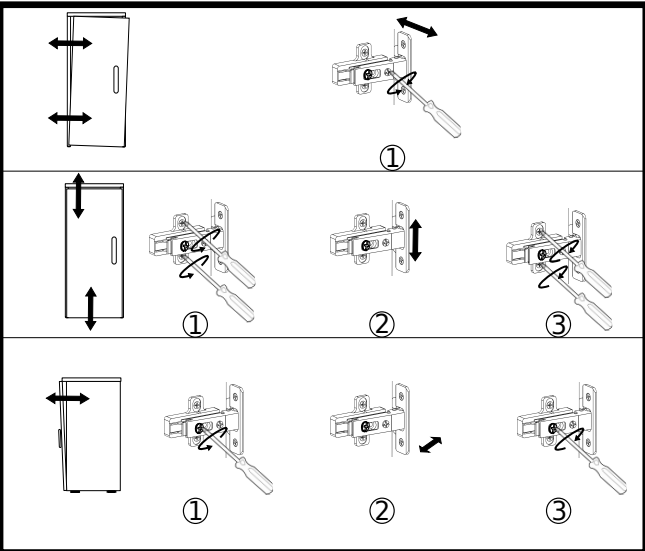


24 x2



25 x4

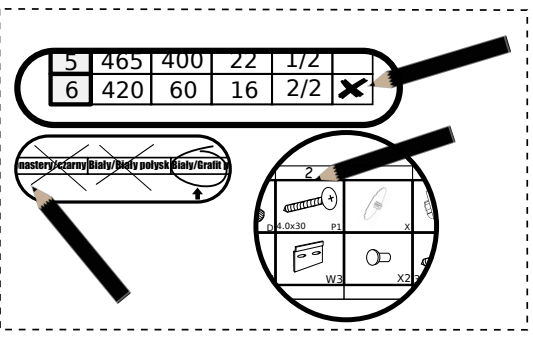




## Formularz reklamacyjny • Complaint Form • Beschwerdeformular



- Zaznacz brakujący lub uszkodzony element.
- Mark the missing or damaged element.
- Markieren Sie das fehlende oder beschädigten element.



| No. | Pcs. | L    | W   | T  | T(potysk) | Pac | X |
|-----|------|------|-----|----|-----------|-----|---|
| 1   | 1    | 1350 | 400 | 22 | -         | 2/3 |   |
| 2   | 1    | 1306 | 360 | 16 | -         | 2/3 |   |
| 3   | 1    | 878  | 400 | 22 | -         | 1/3 |   |
| 4   | 1    | 808  | 360 | 16 | -         | 1/3 |   |
| 5   | 1    | 802  | 360 | 16 | -         | 1/3 |   |
| 6   | 1    | 878  | 400 | 22 | -         | 1/3 |   |
| 7   | 1    | 1305 | 60  | 16 | -         | 2/3 |   |
| 8   | 4    | 420  | 60  | -  | 15        | 2/3 |   |
| 9   | 2    | 433  | 350 | 16 | -         | 1/3 |   |
| 10  | 2    | 350  | 140 | 16 | -         | 2/3 |   |
| 11  | 2    | 363  | 122 | 16 | -         | 2/3 |   |
| 12  | 2    | 350  | 140 | 16 | -         | 2/3 |   |
| 13  | 2    | 424  | 189 | 16 | -         | 3/3 |   |
| 14  | 2    | 357  | 378 | 3  | -         | 3/3 |   |
| 15  | 2    | 424  | 189 | 16 | -         | 3/3 |   |
| 16  | 1    | 813  | 444 | 16 | -         | 3/3 |   |
| 17  | 2    | 355  | 424 | 16 | -         | 3/3 |   |
| 18  | 1    | 825  | 435 | 3  | -         | 3/3 |   |
| 19  | 1    | 825  | 450 | 3  | -         | 3/3 |   |
| 20  | 1    | 825  | 435 | 3  | -         | 3/3 |   |

### Monastery/czarny/Biały/Biały połysk/Biały/Grafit połysk

|   |          |          |    |           |          |         |    |    |   |
|---|----------|----------|----|-----------|----------|---------|----|----|---|
|   |          |          |    |           |          |         |    |    |   |
| B | A 3.0x35 | D 3.5x16 | W2 | 3.0x16 W3 | X        | G1      | O  | X3 | Q |
|   |          |          |    |           |          |         |    |    |   |
| I | Z        | Z2       | PZ | UD        | G 3.0x20 | W1 -350 | S3 |    |   |