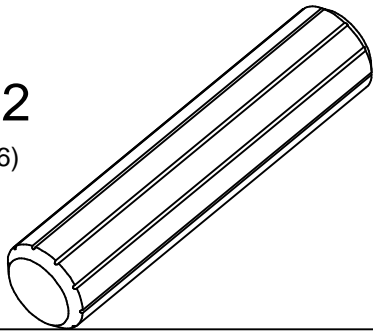
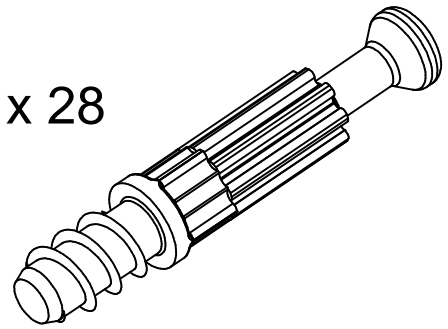


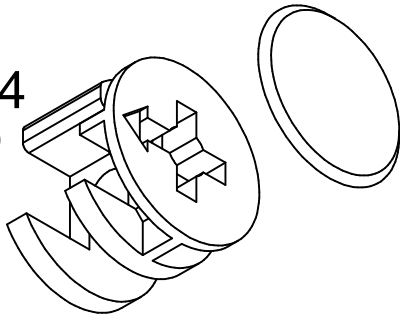
A x 12
(8x36)



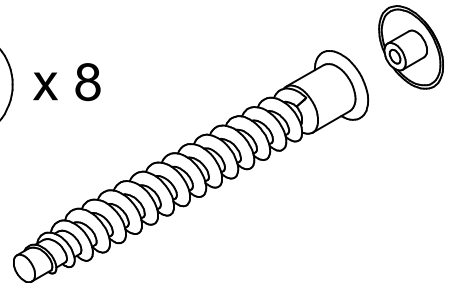
B x 28



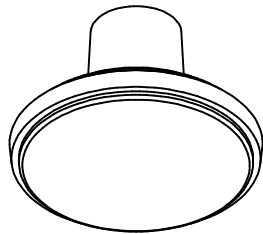
C x 44
(15x12)



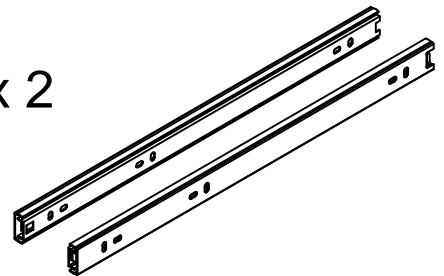
D x 8



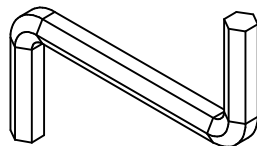
E x 2



F x 2



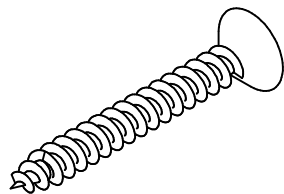
G x 1



J x 2
(M4x25)

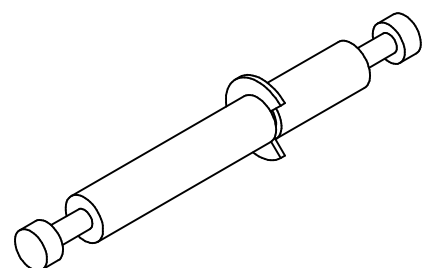
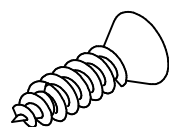


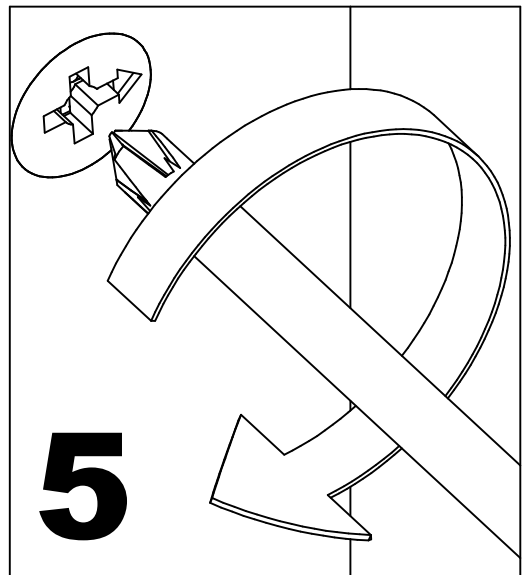
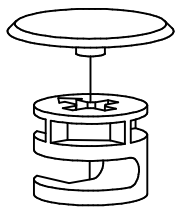
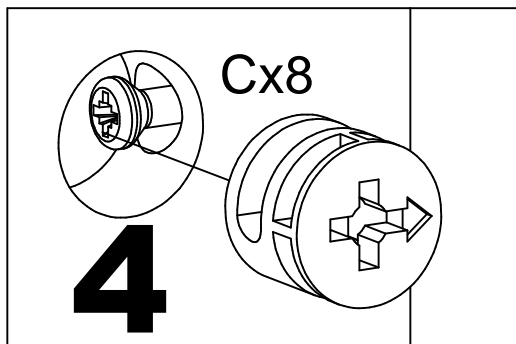
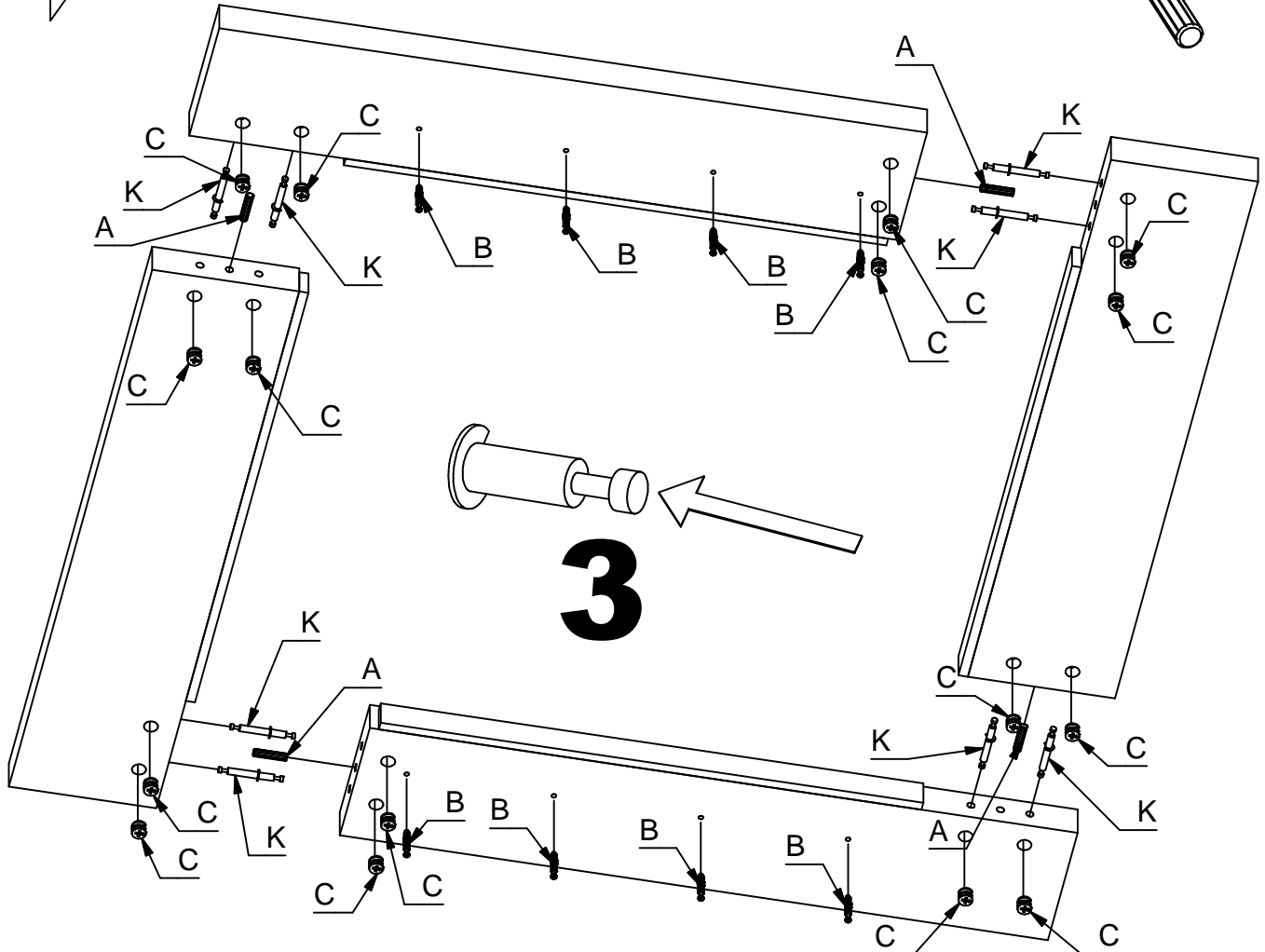
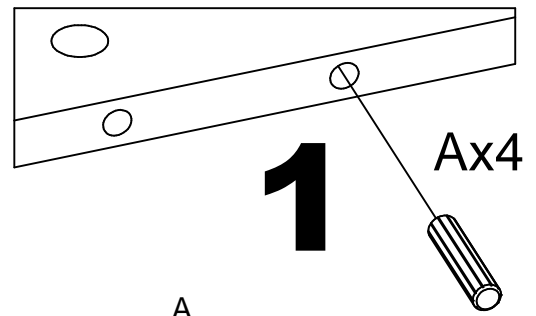
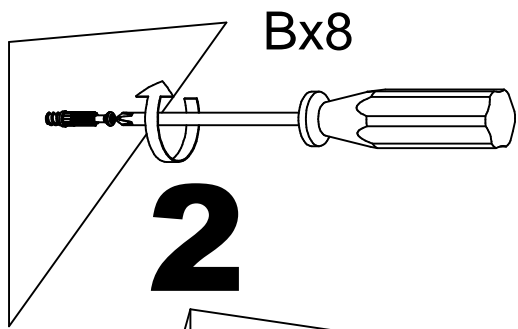
H x 32
(4x25)

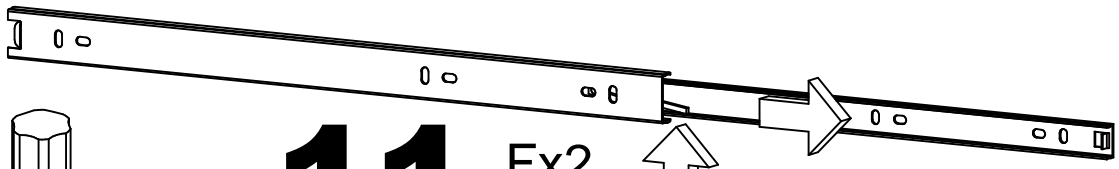


K x 8

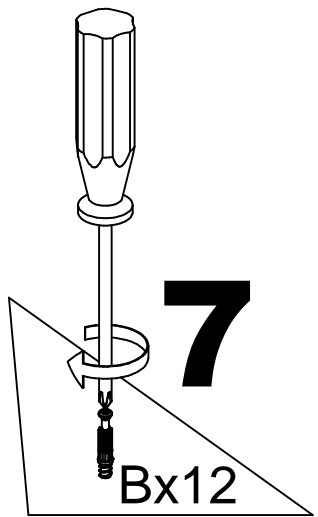
I x 16
(3,5x13)





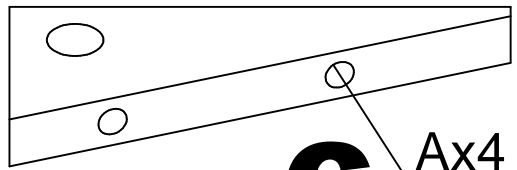


11 Fx2



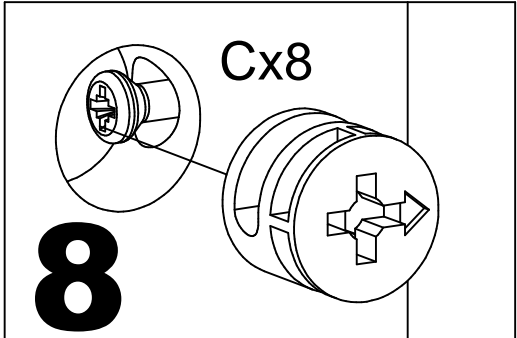
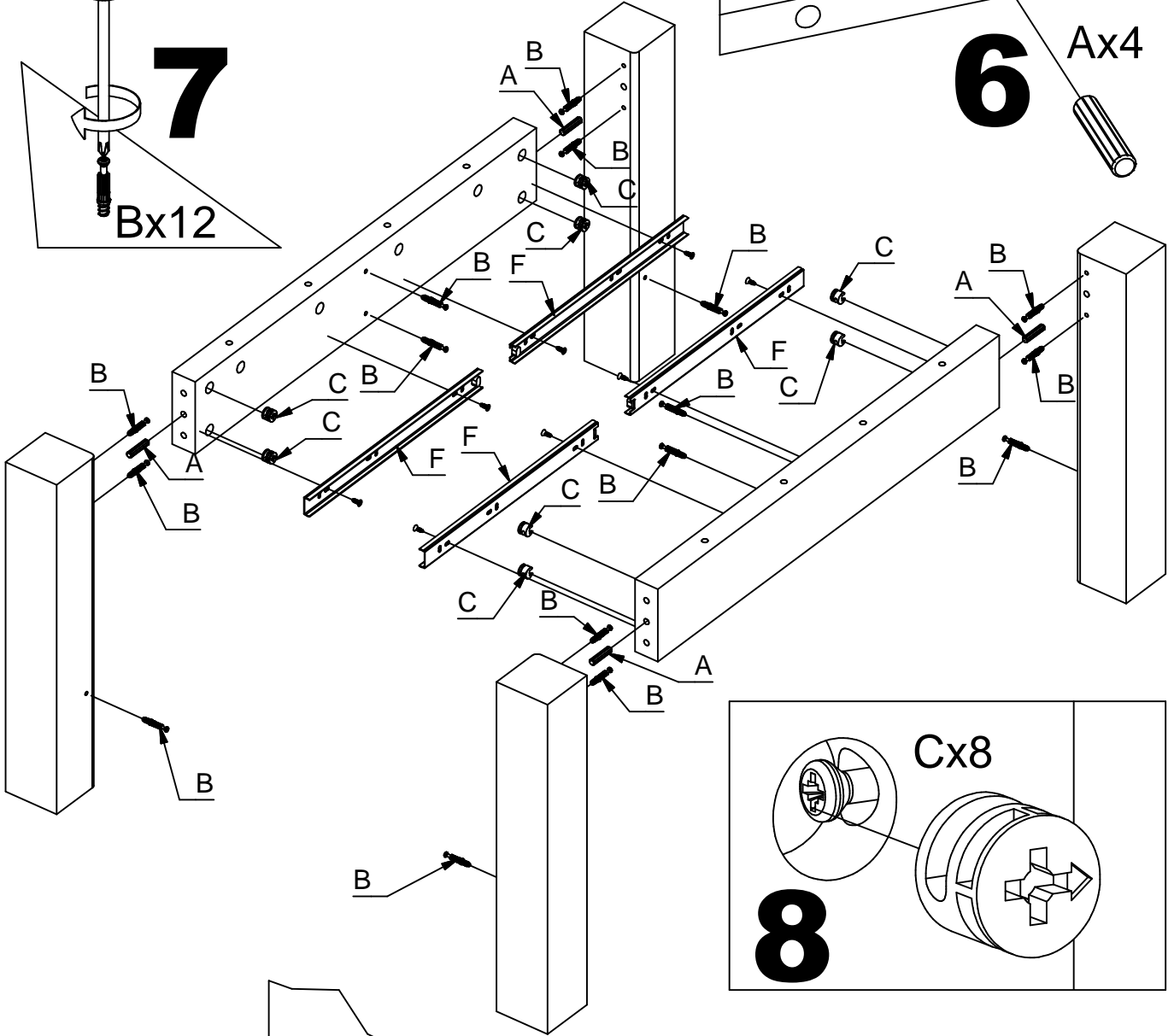
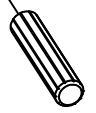
7

Bx12



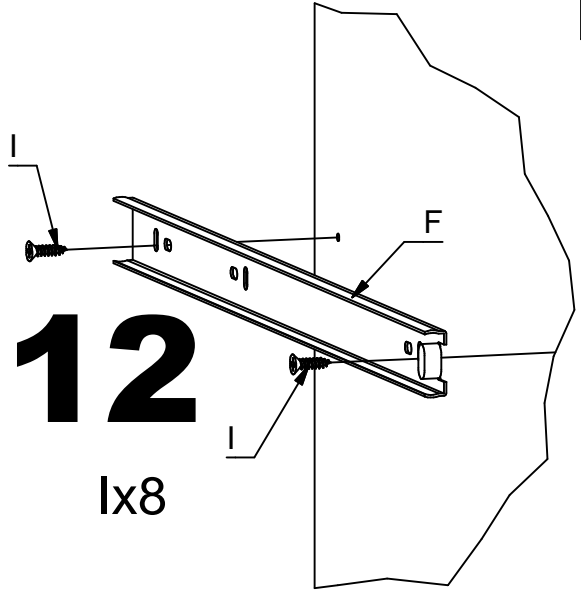
6

Ax4



8

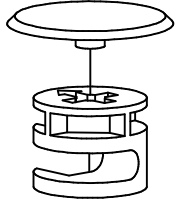
Cx8



12

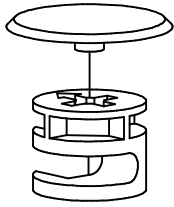
Ix8

10

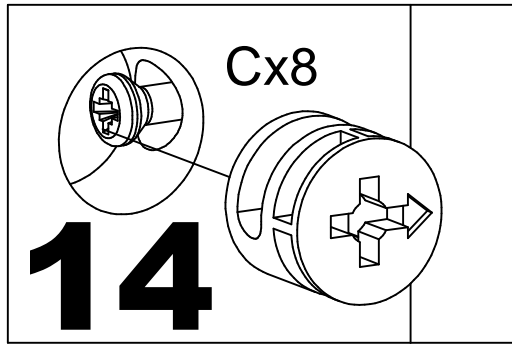


9

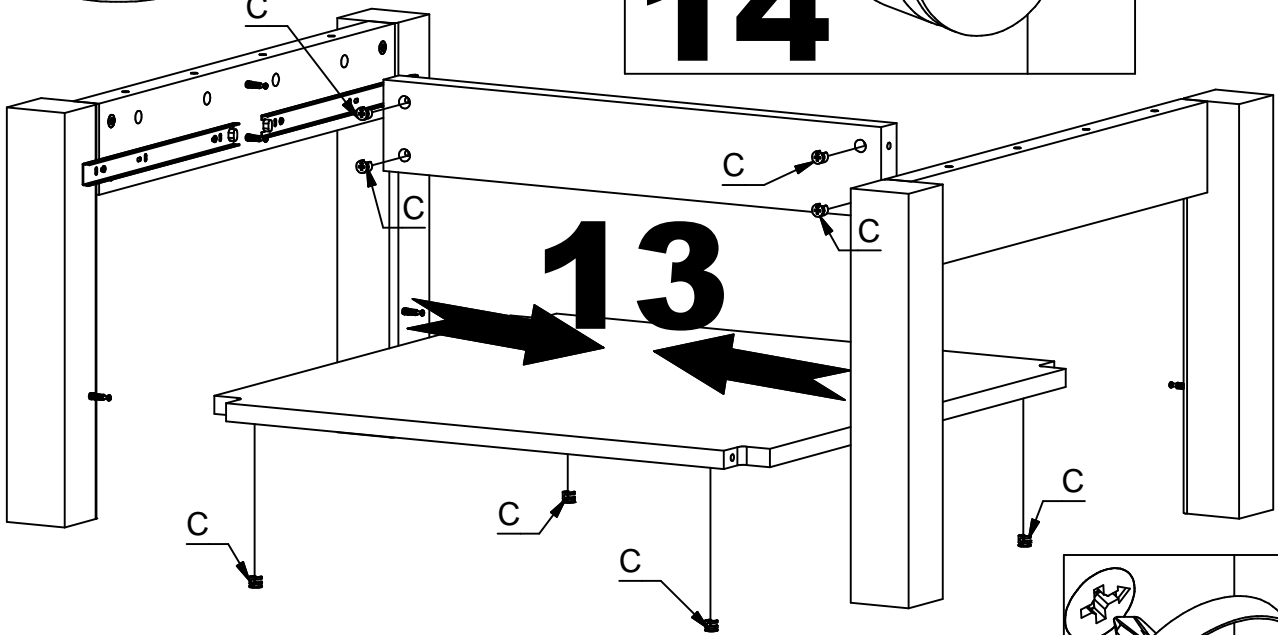




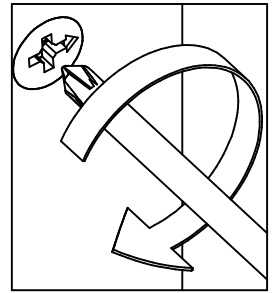
16



14

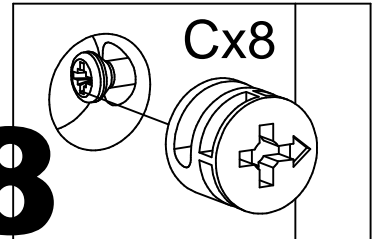
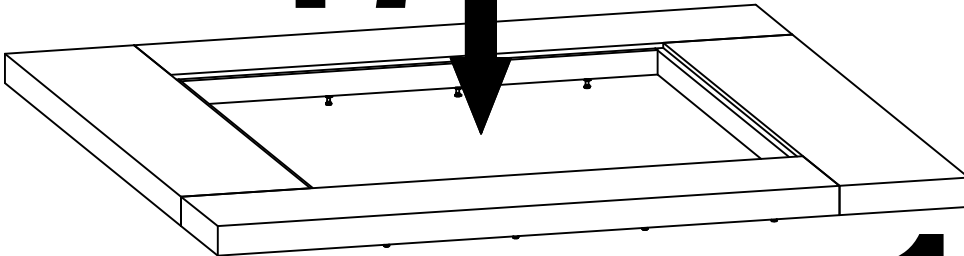


13

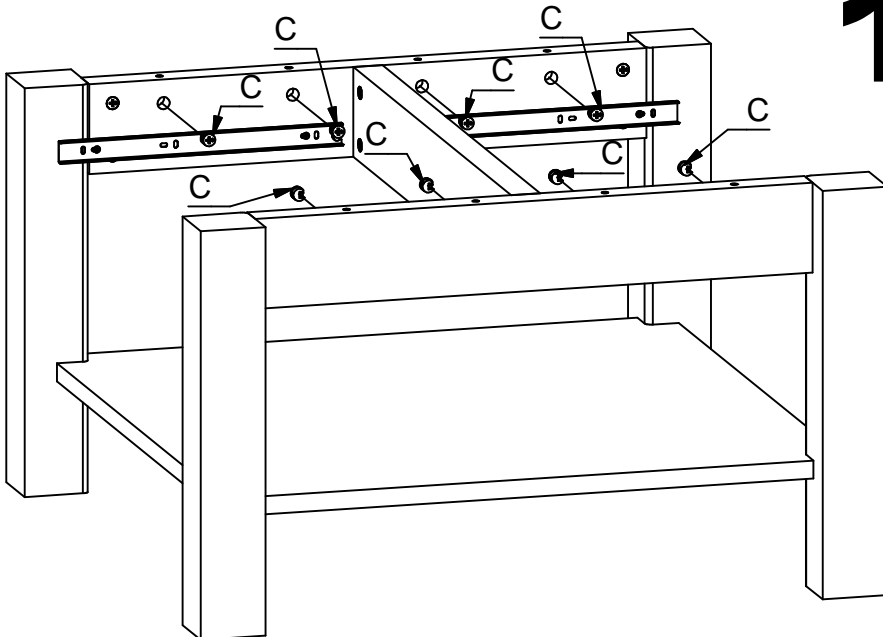


15

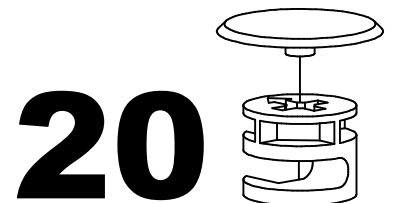
17



18

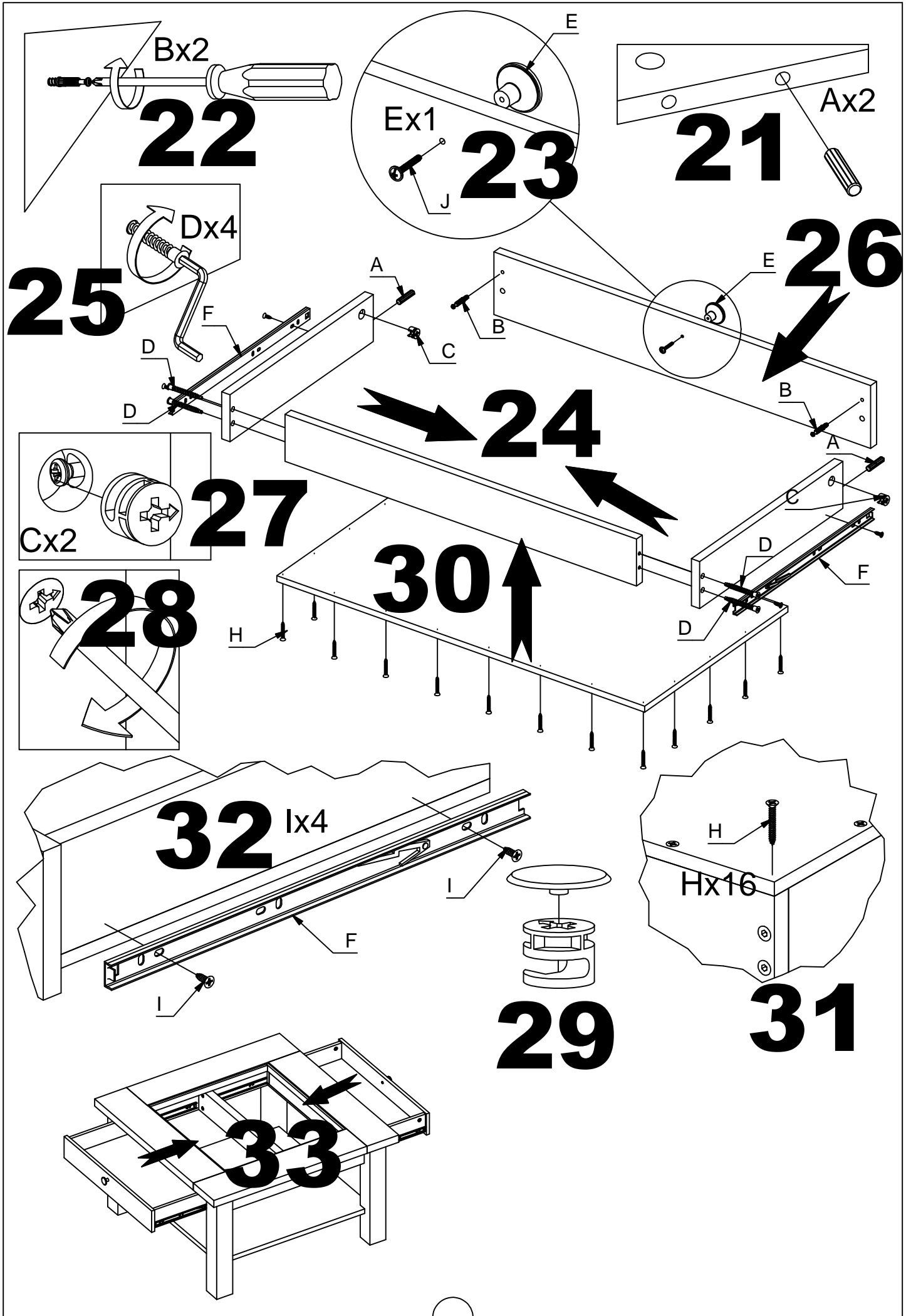


19



20





Bx2
22

E
Ex1
J
23

Ax2
21

Dx4
25

26

Cx2
27

30

28

32 lx4

29

Hx16

31

33