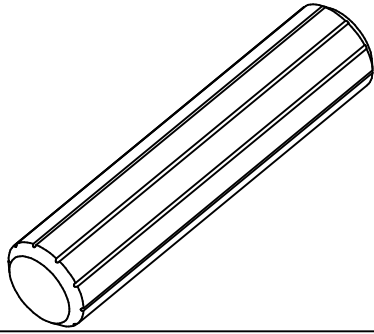
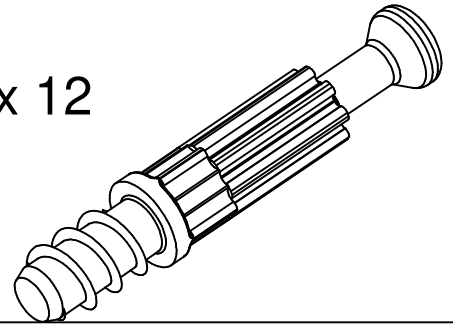


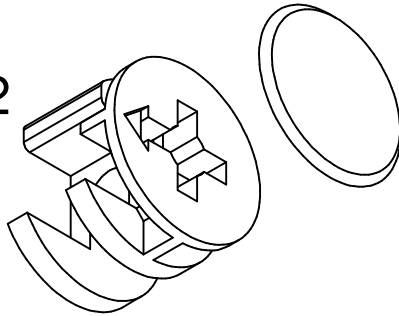
A x 12
(8x36)



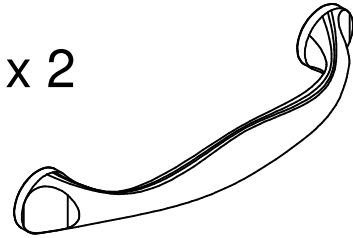
B x 12



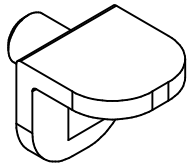
C x 12
(15x12)



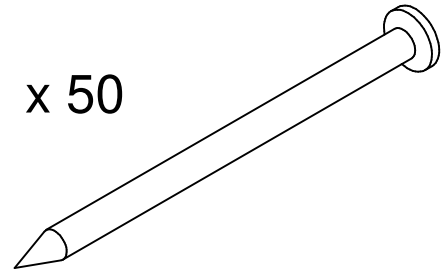
D x 2



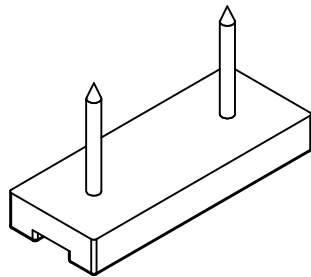
E x 12



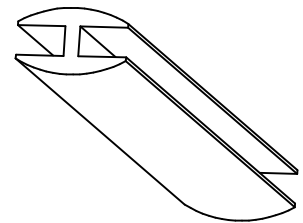
F x 50



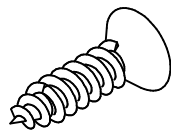
G x 4



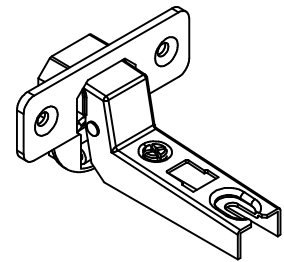
H x 1



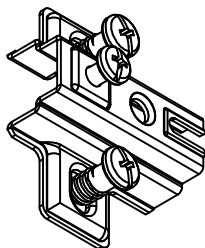
I x 8
(3,5x16)



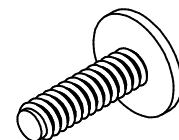
J x 4

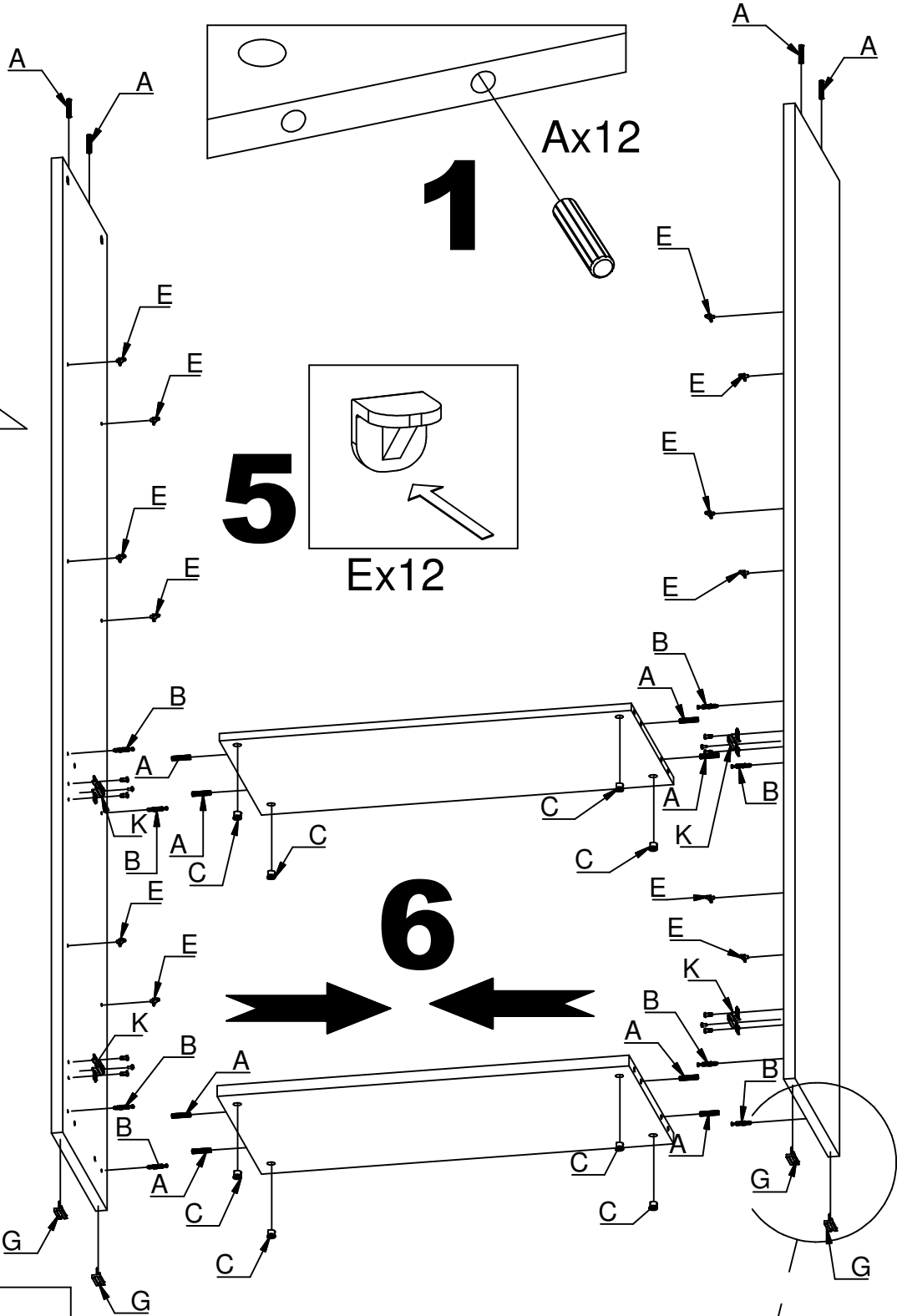
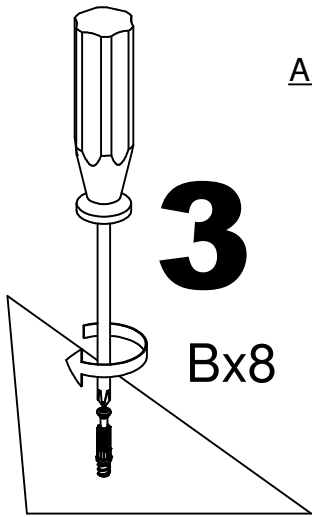


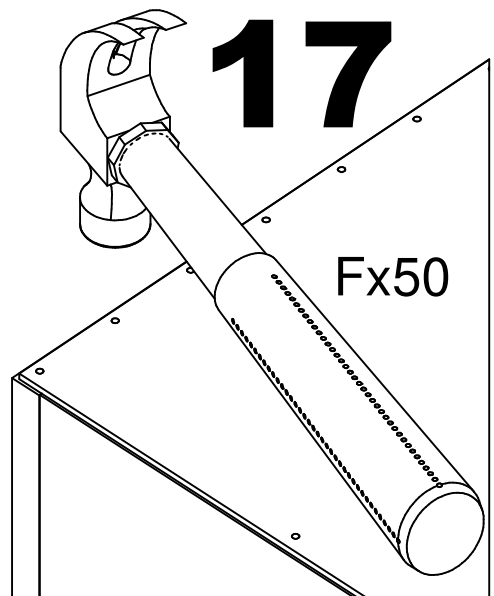
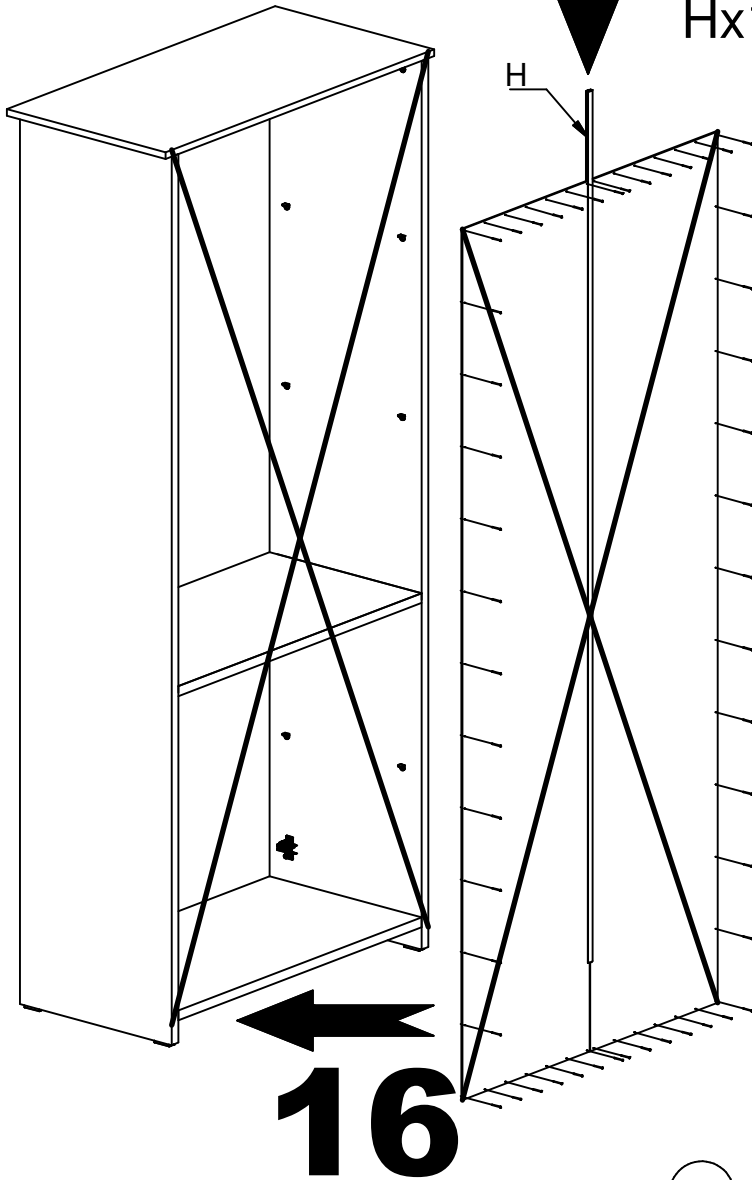
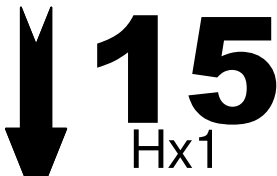
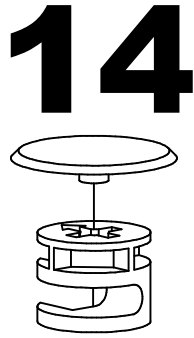
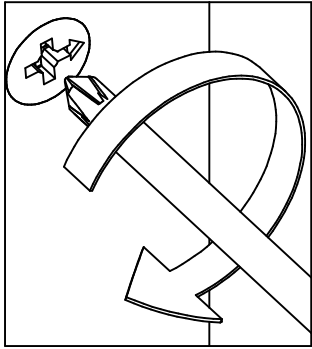
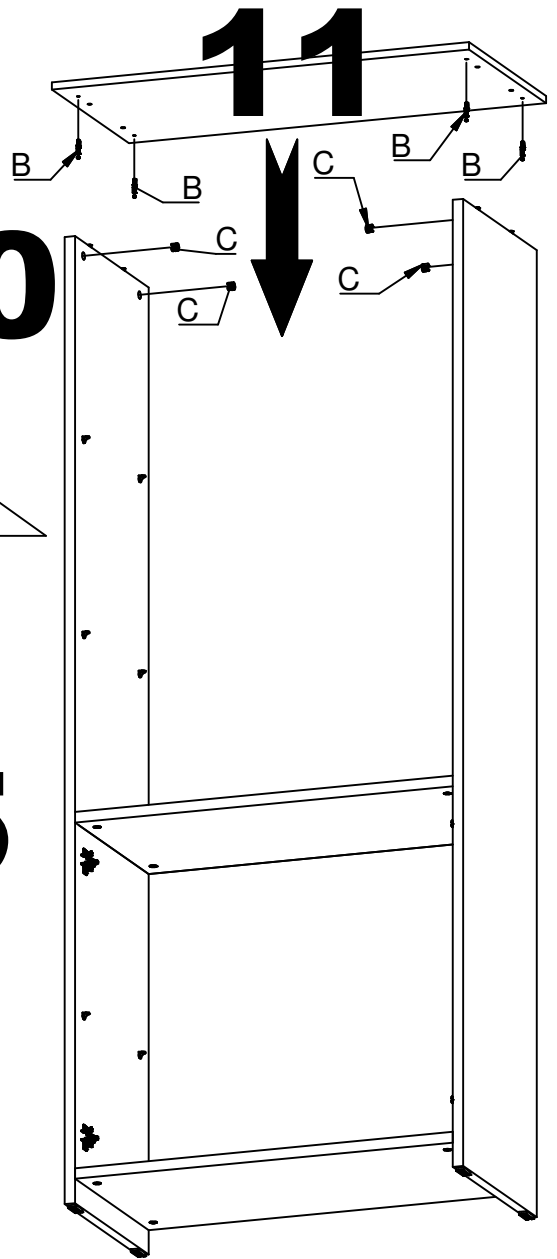
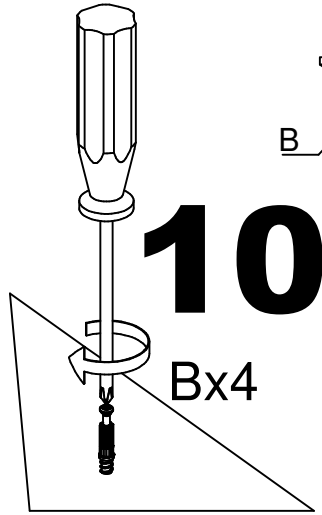
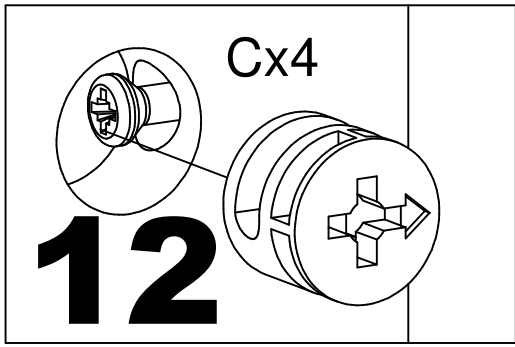
K x 4

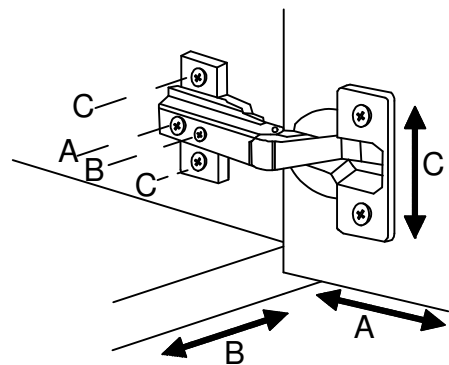
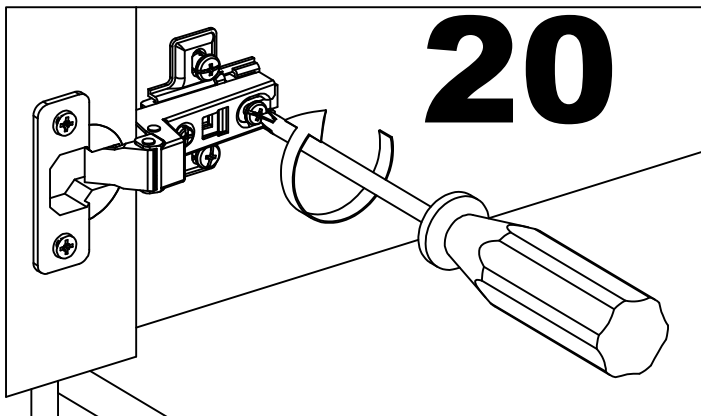
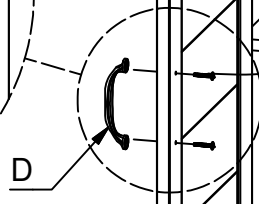
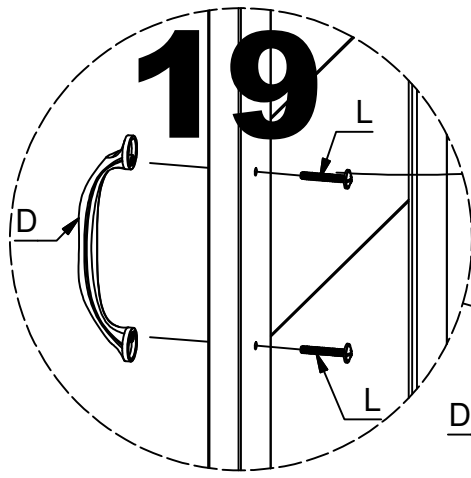
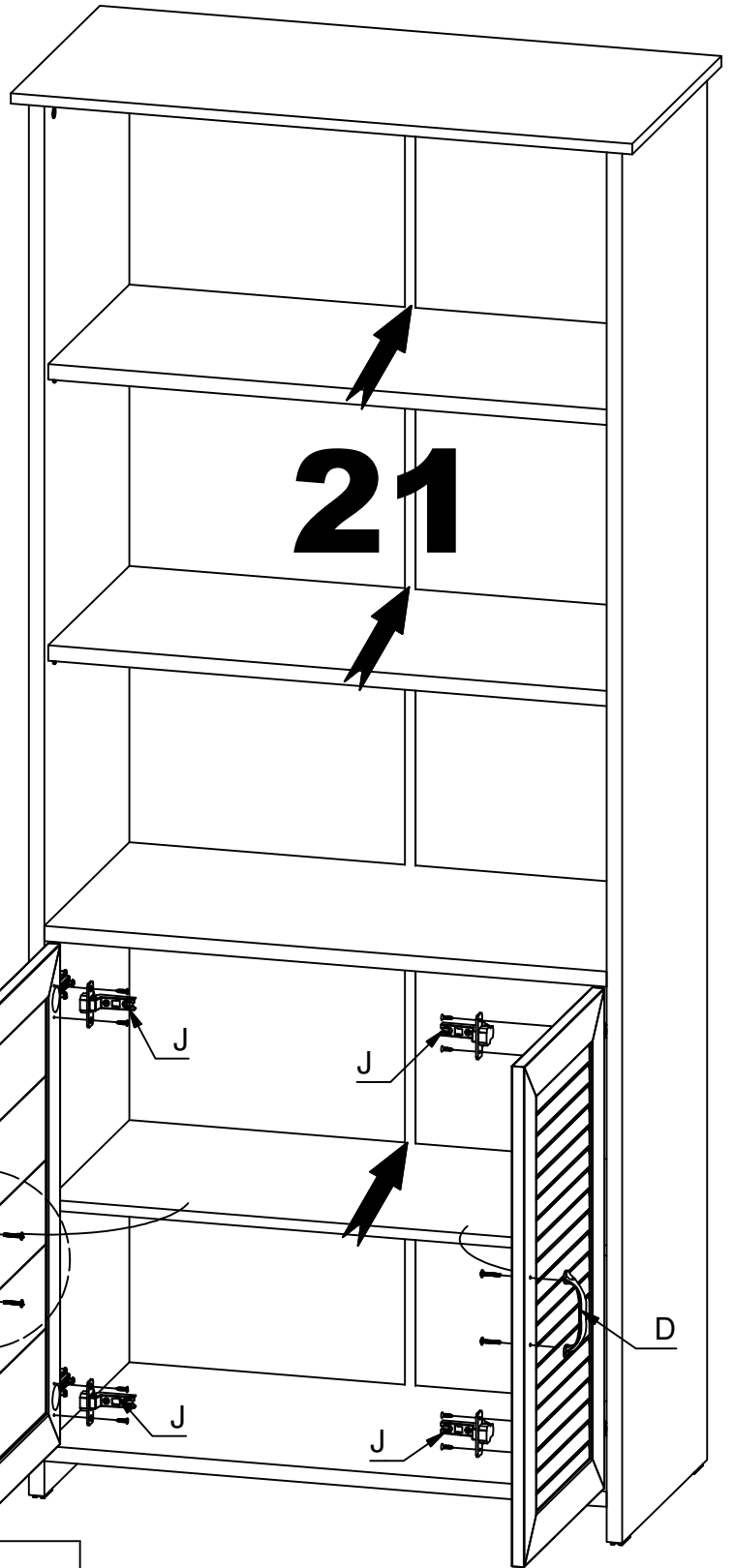
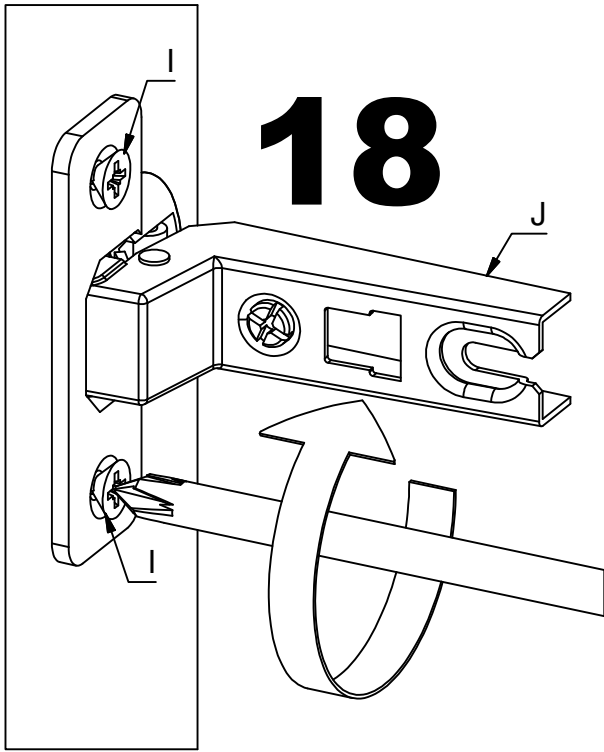


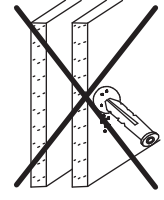
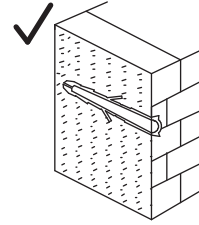
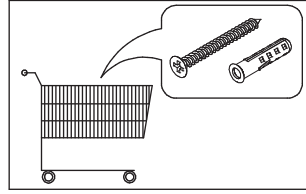
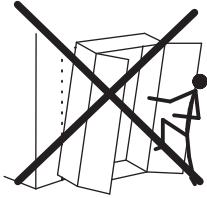
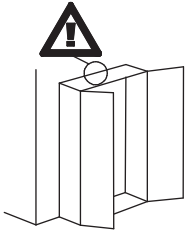
L x 4
(M4x25)





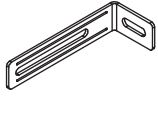






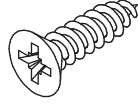
A

T4 x1



75x28x16 mm

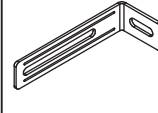
W2 x2



Ø3,5x16mm

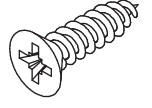
B

T4 x2



75x28x16 mm

W2 x4



Ø3,5x16mm

