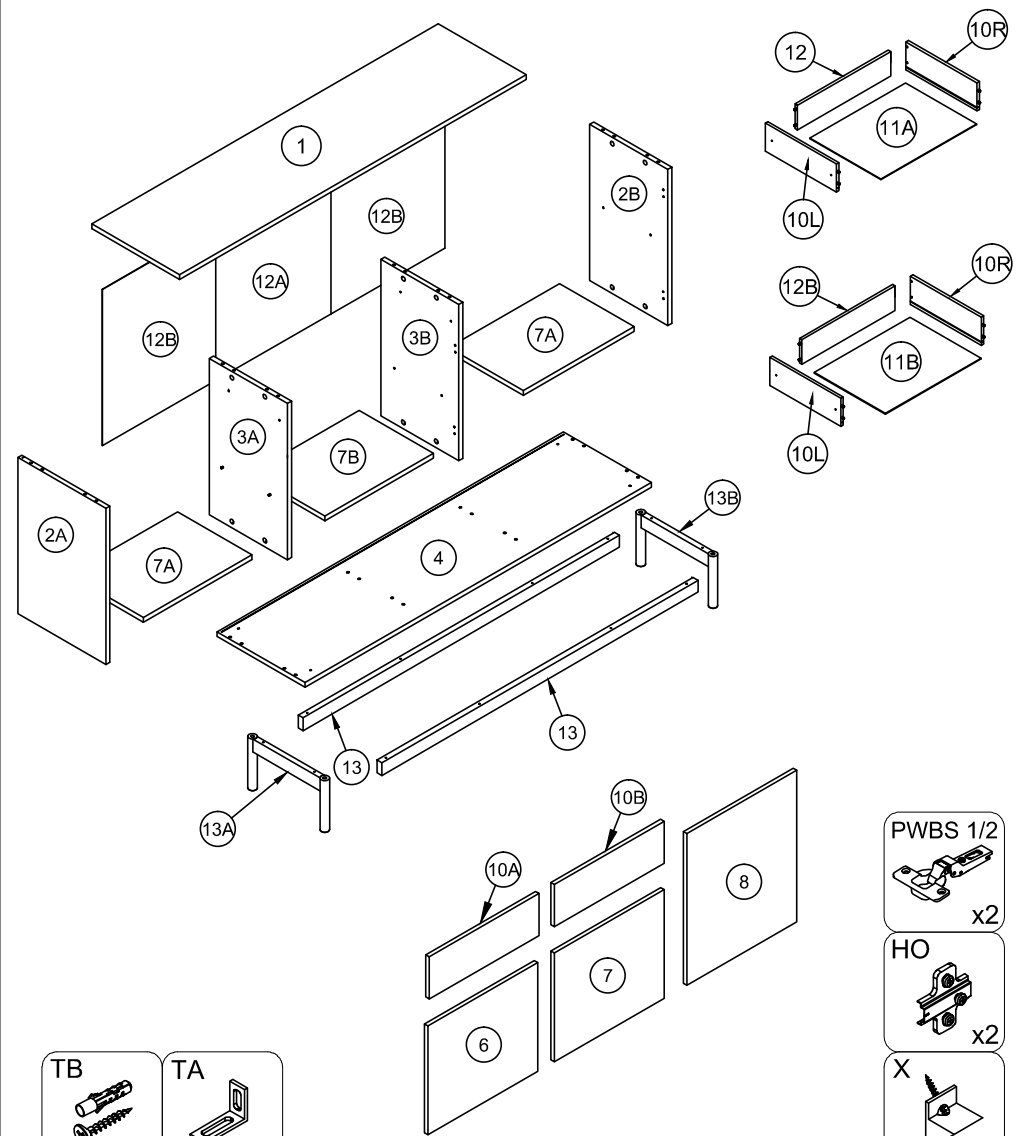
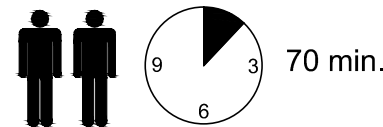
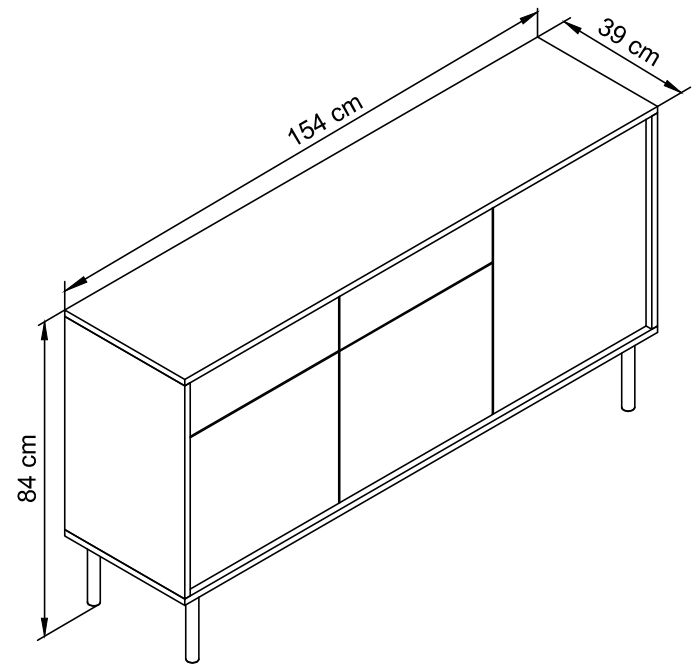
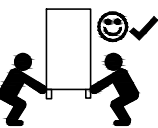
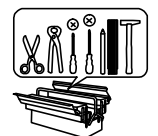
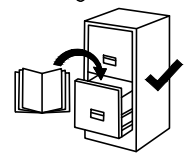
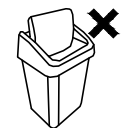
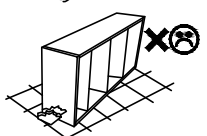
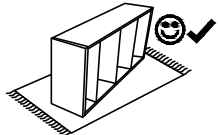
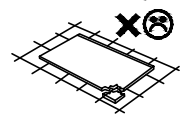
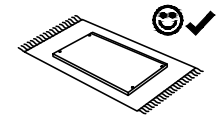
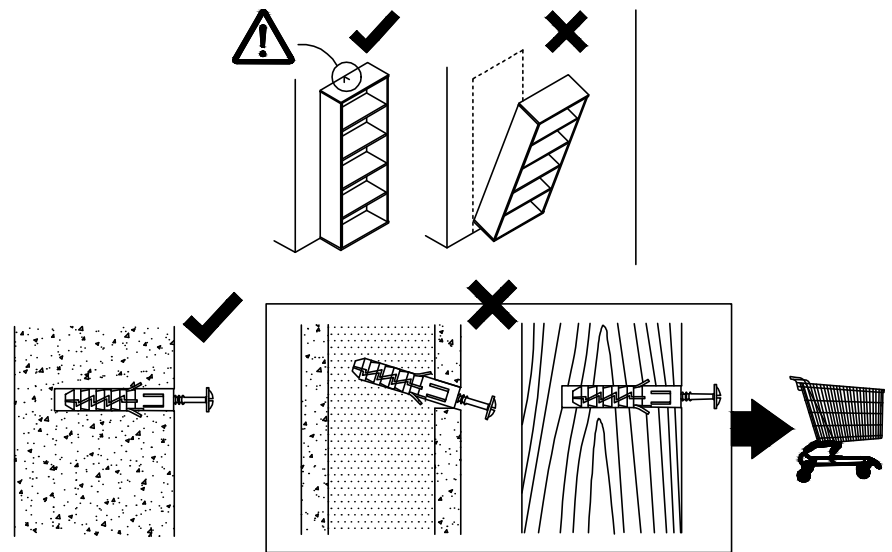
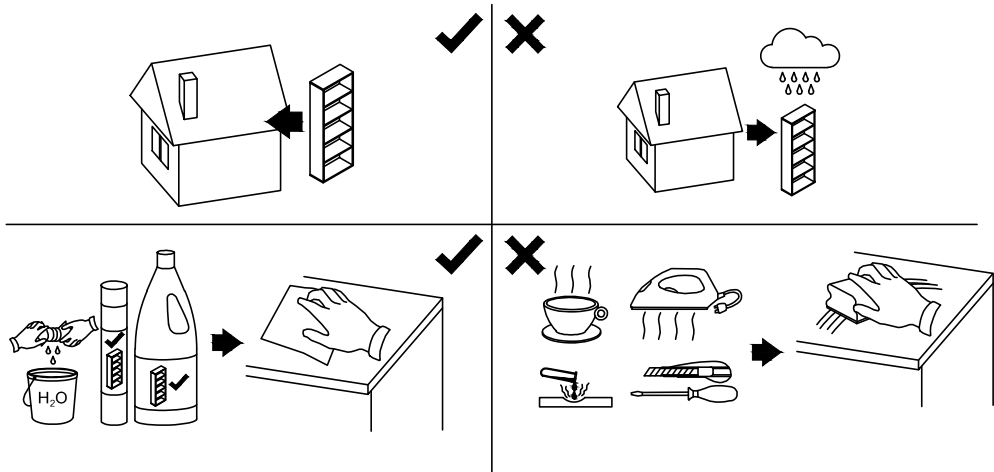
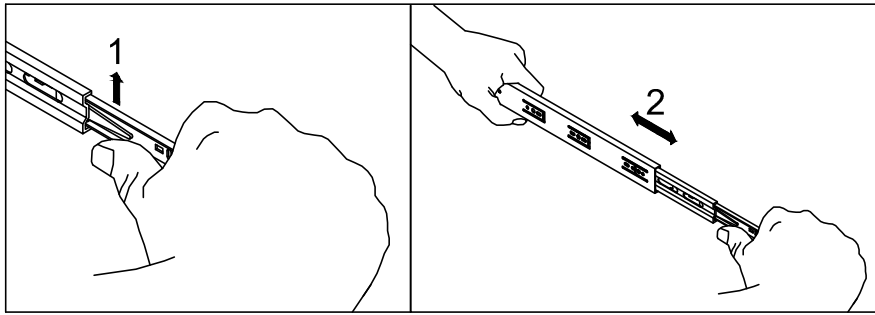


# BK 154

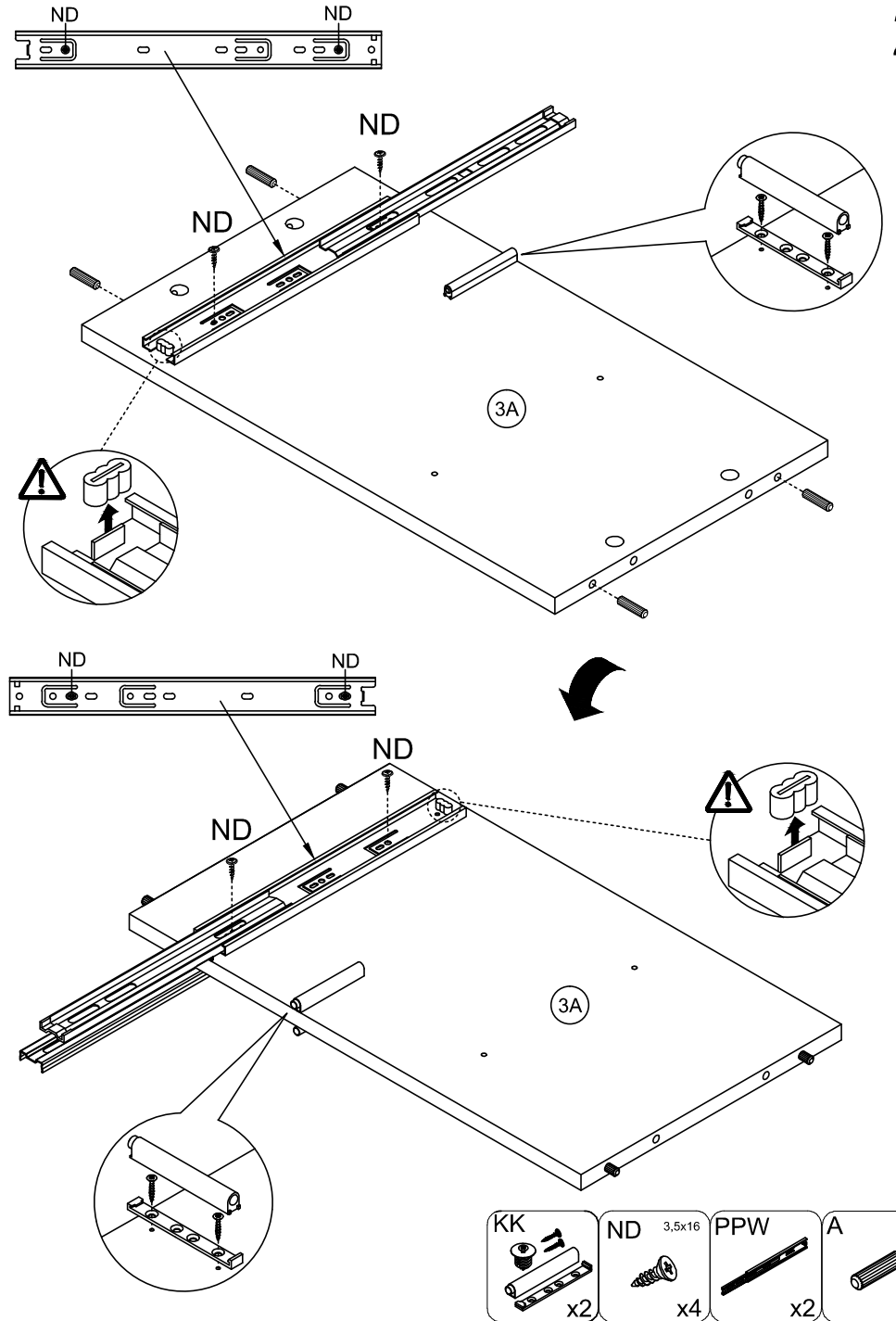
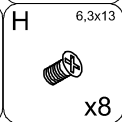
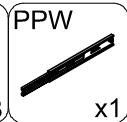
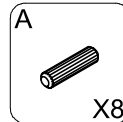
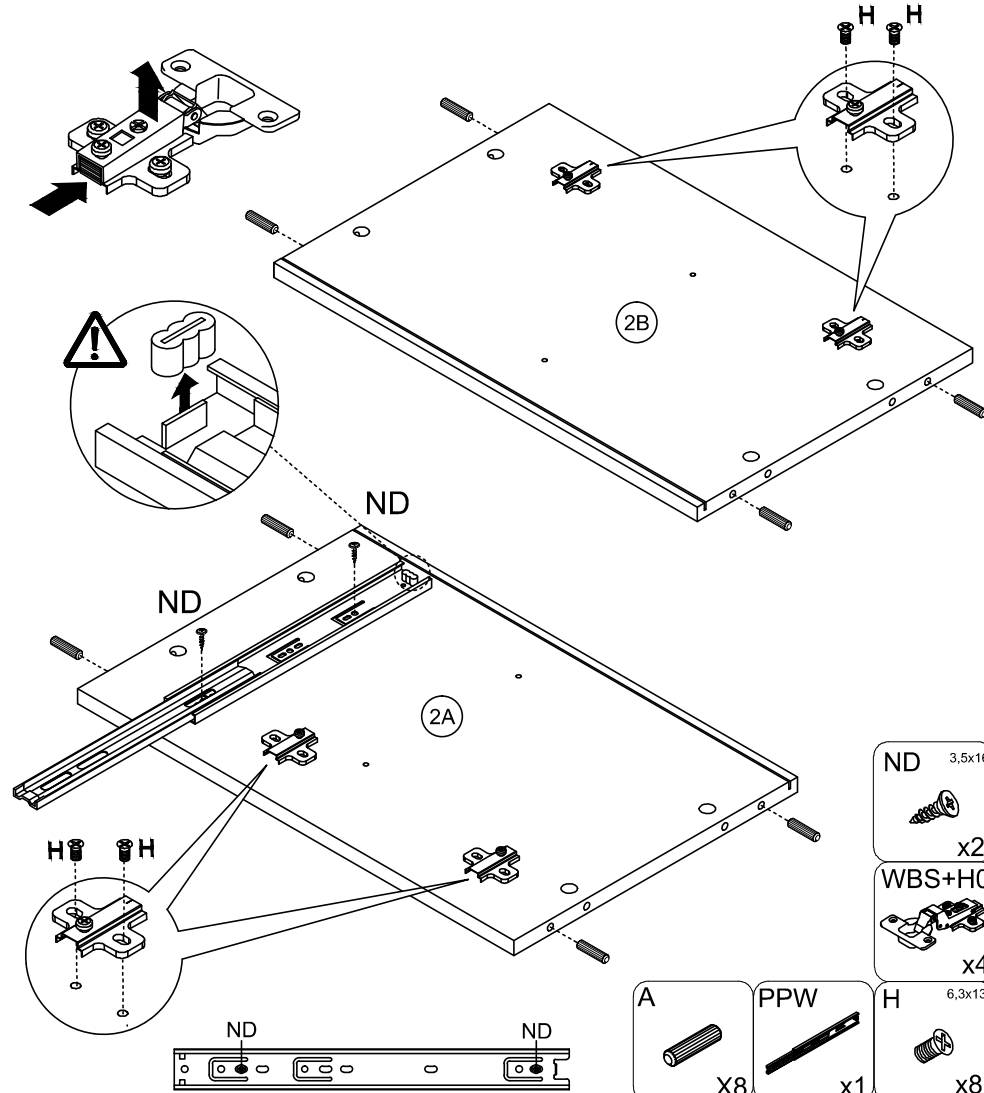


- |              |               |               |                 |          |           |                  |               |  |  |  |  |                |          |
|--------------|---------------|---------------|-----------------|----------|-----------|------------------|---------------|--|--|--|--|----------------|----------|
| TB<br>x1     | TA<br>x1      |               |                 |          |           |                  |               |  |  |  |  | PWBS 1/2<br>x2 |          |
| WBS+H0<br>x4 | N 3x20<br>x16 | W 4x55<br>x12 | GLUE<br>x2      | C<br>x16 | Z<br>x16  | ND 3.5x16<br>x21 | KK<br>x5      |  |  |  |  |                | HO<br>x2 |
| B<br>x16     | A 8x32<br>x24 | HD 6x30<br>x4 | H 6,3x13<br>x12 | ZC<br>x8 | PPW<br>x4 | ZZ<br>x12        | V 3x13<br>x12 |  |  |  |  |                | X<br>x16 |

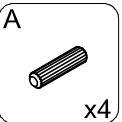
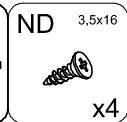
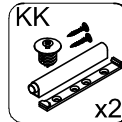


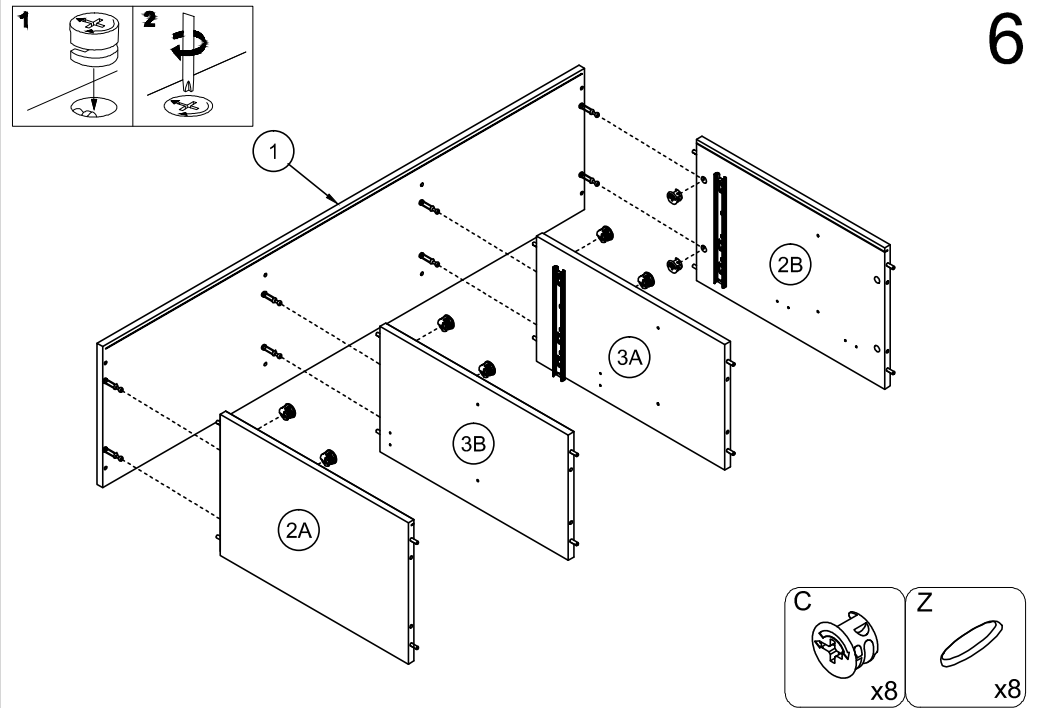
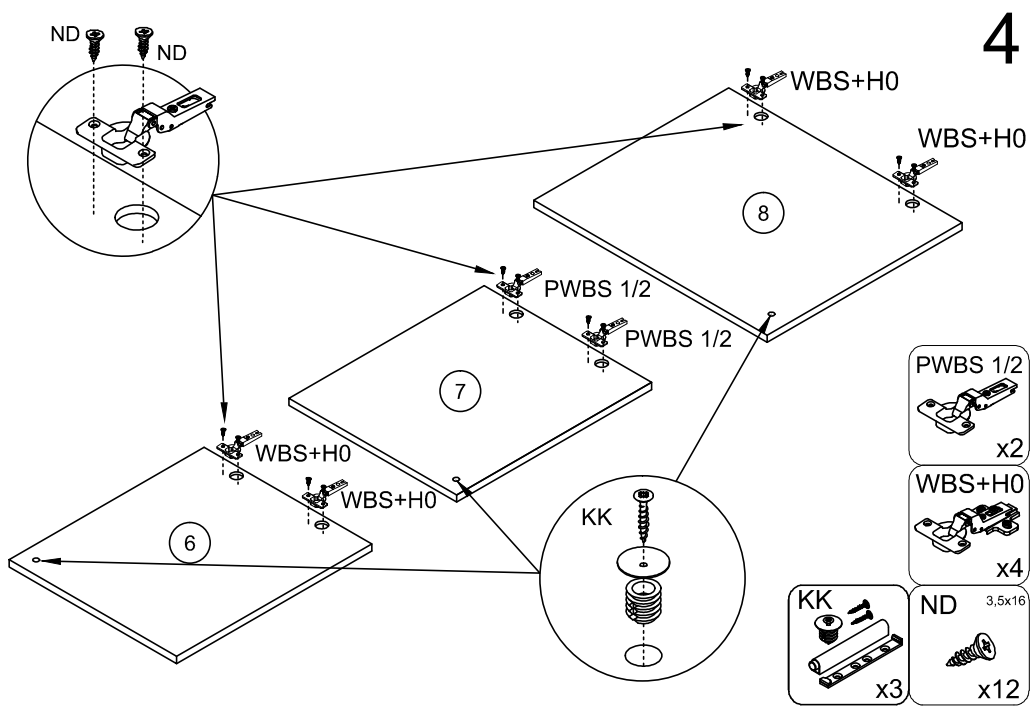
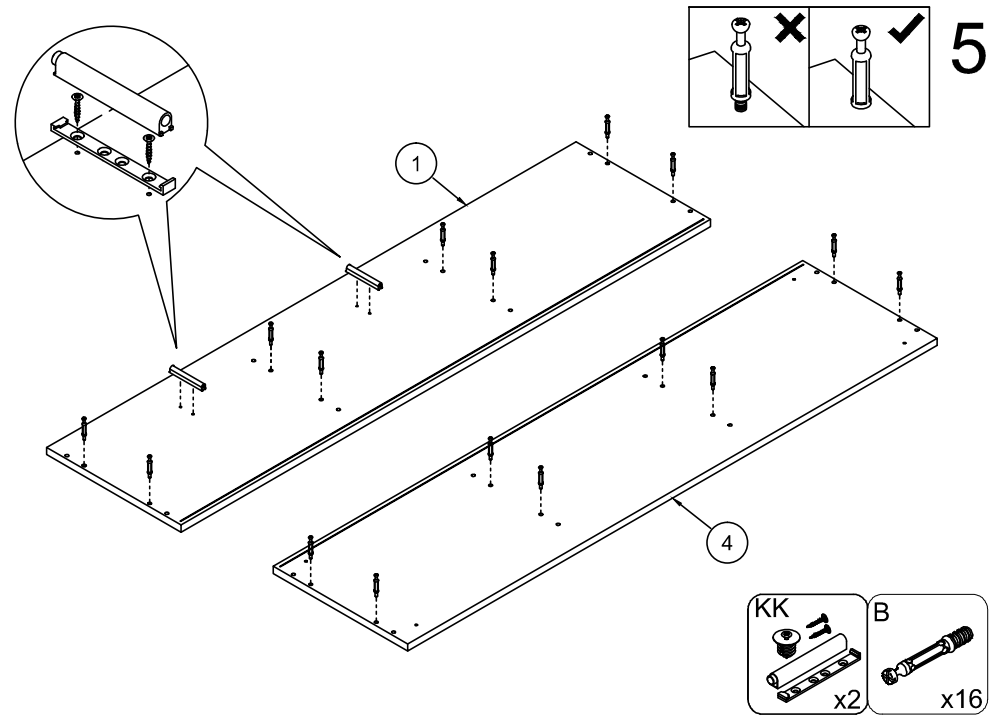
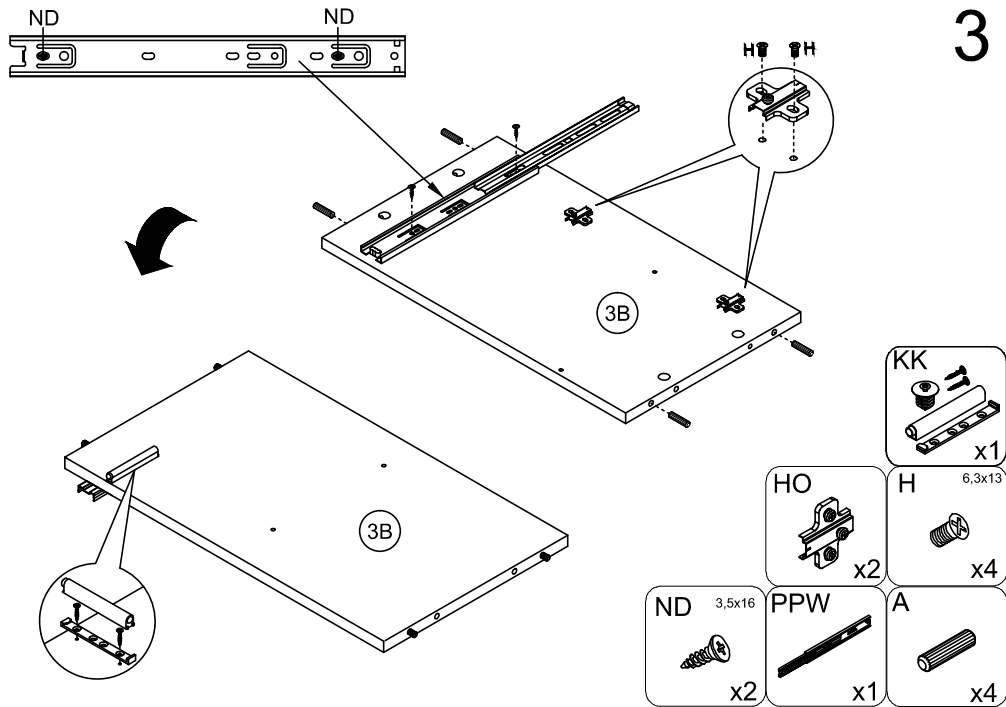


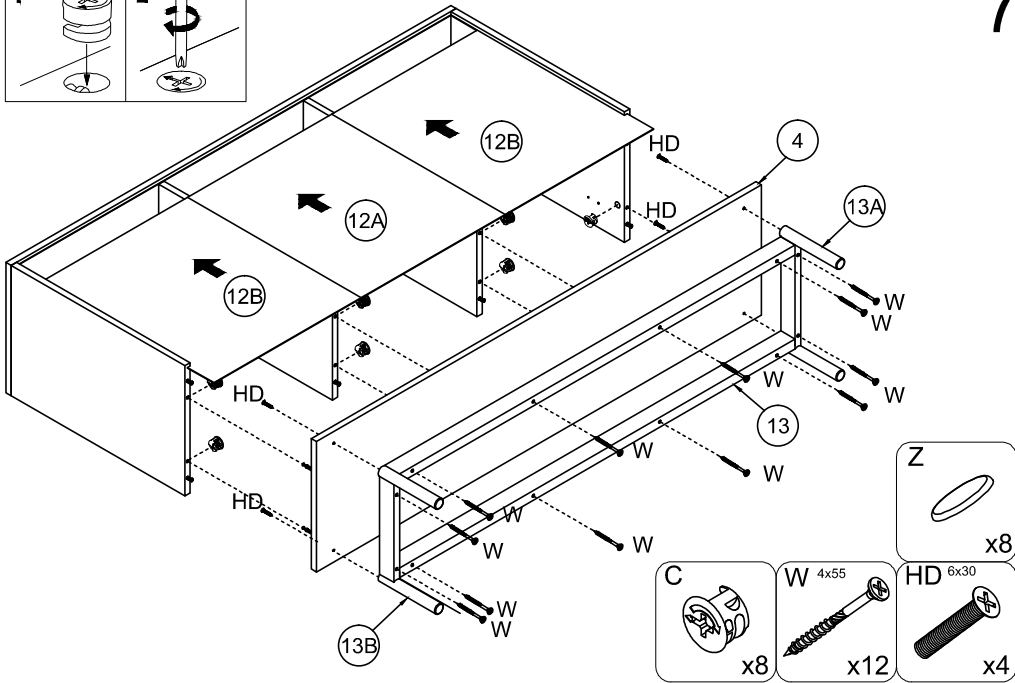
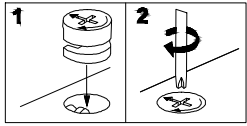
1



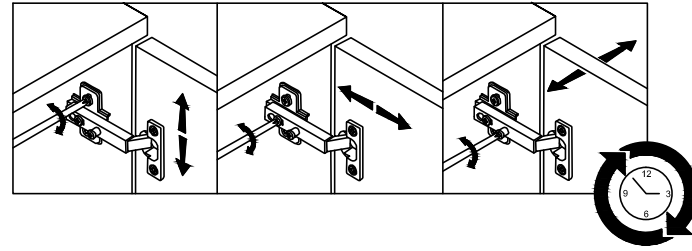
2



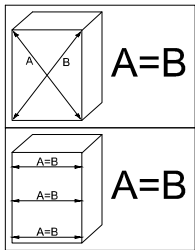




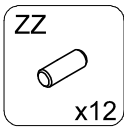
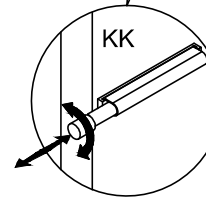
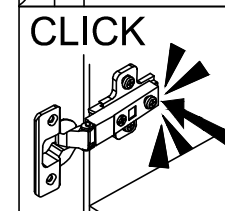
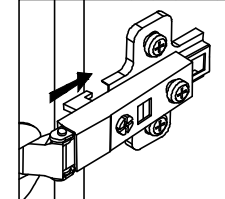
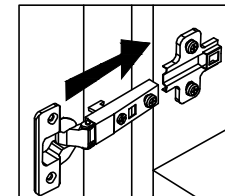
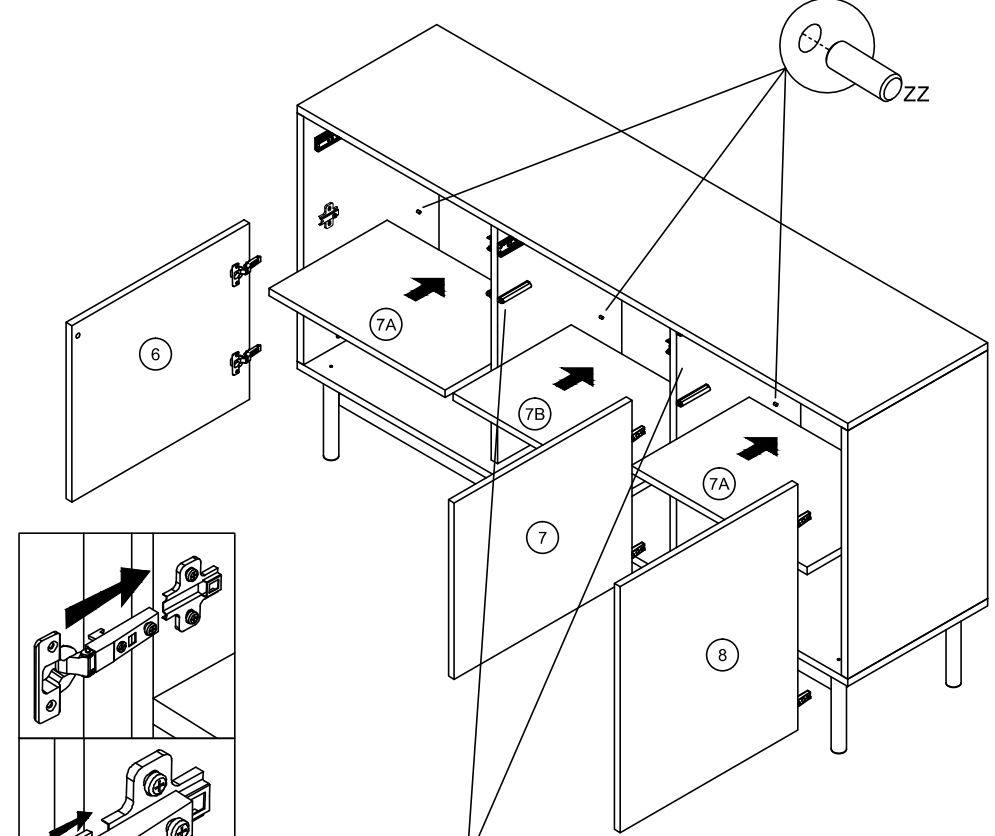
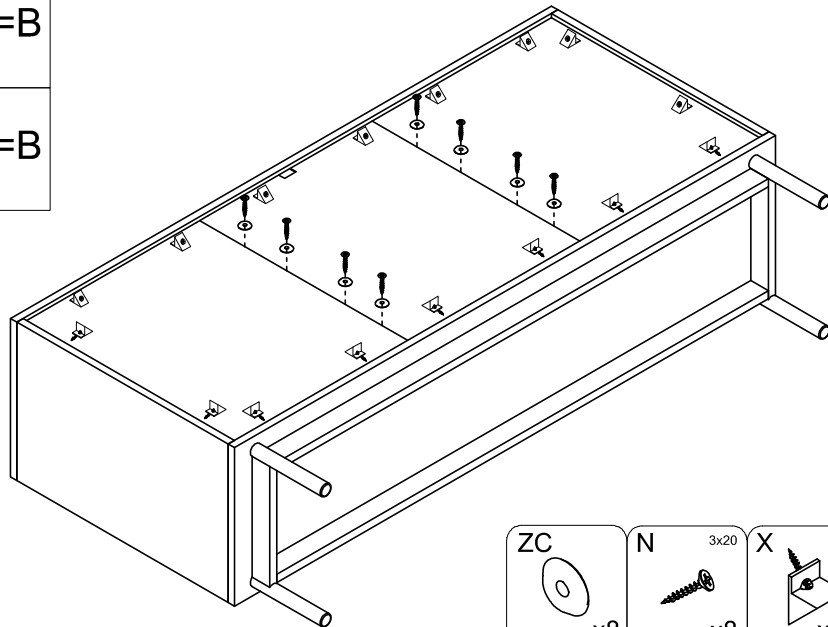
7



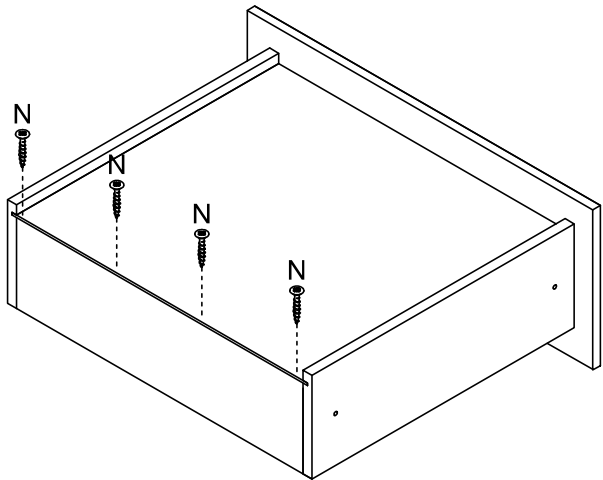
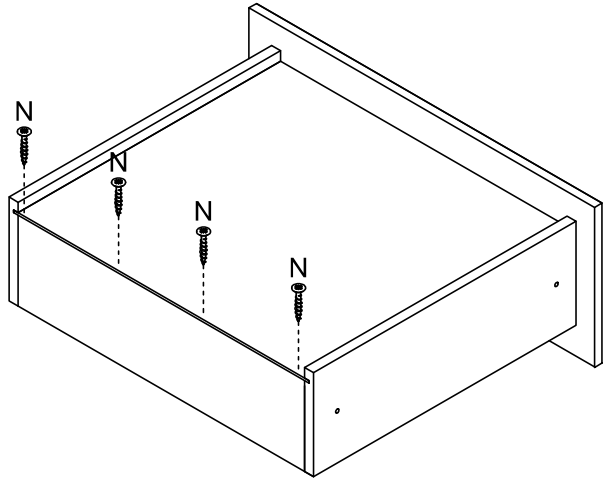
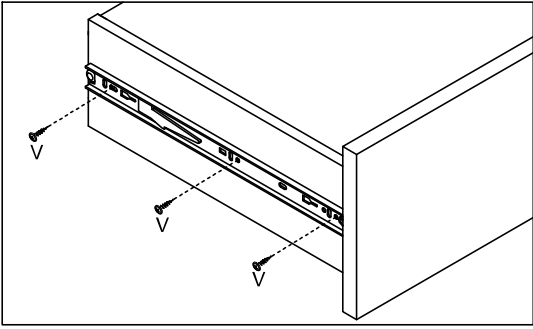
9



8



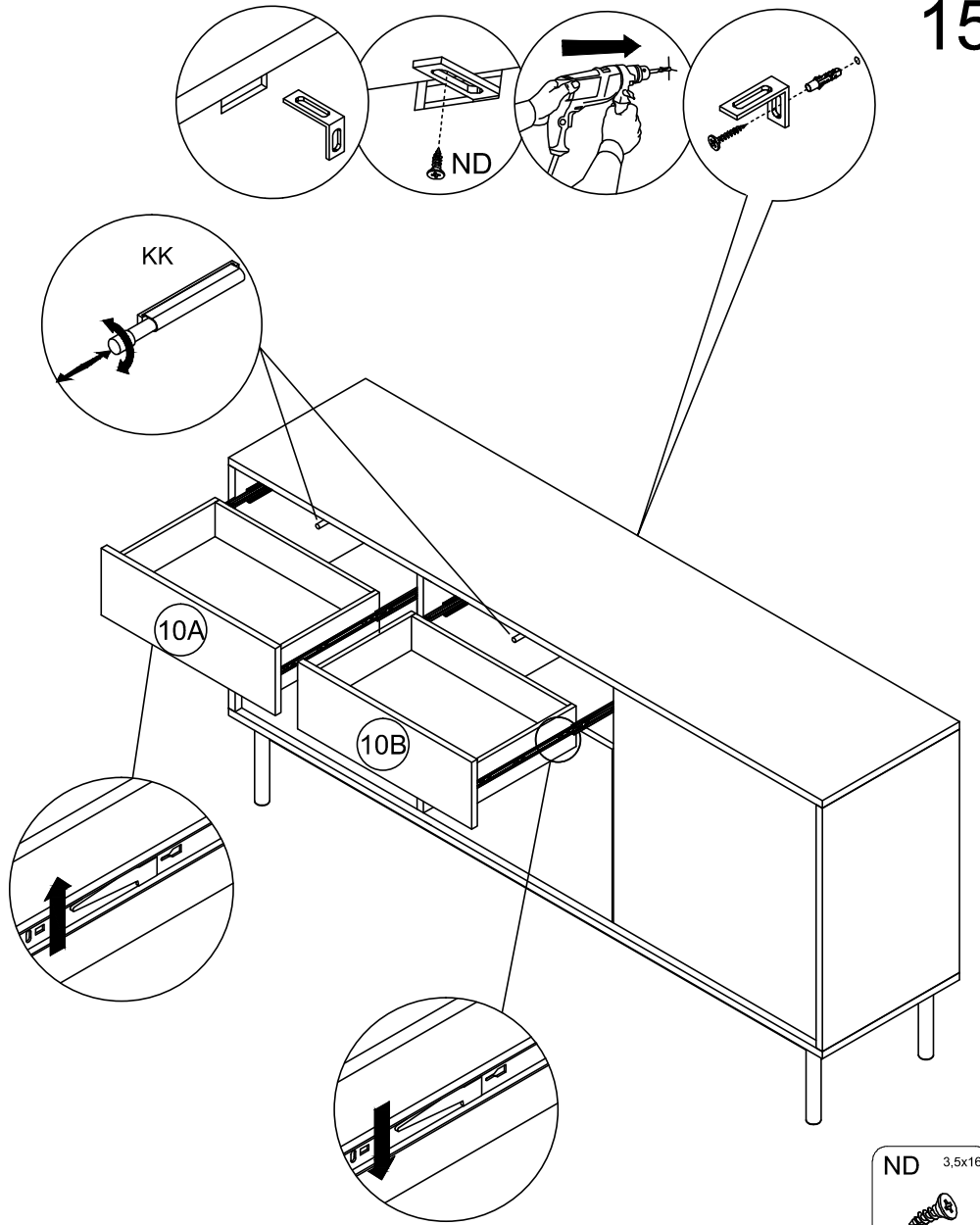







14

- PPW  x4
- N  3x20 x8
- V  3x13 x12

15



- ND  3,5x16 x1
- TB  x1
- TA  x1