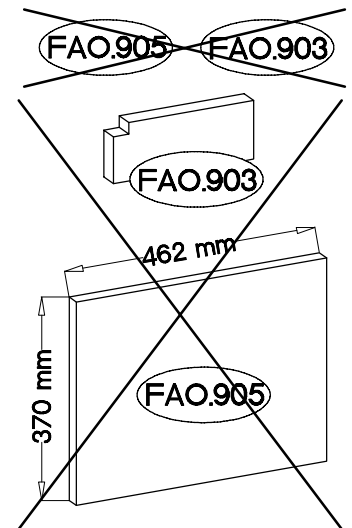
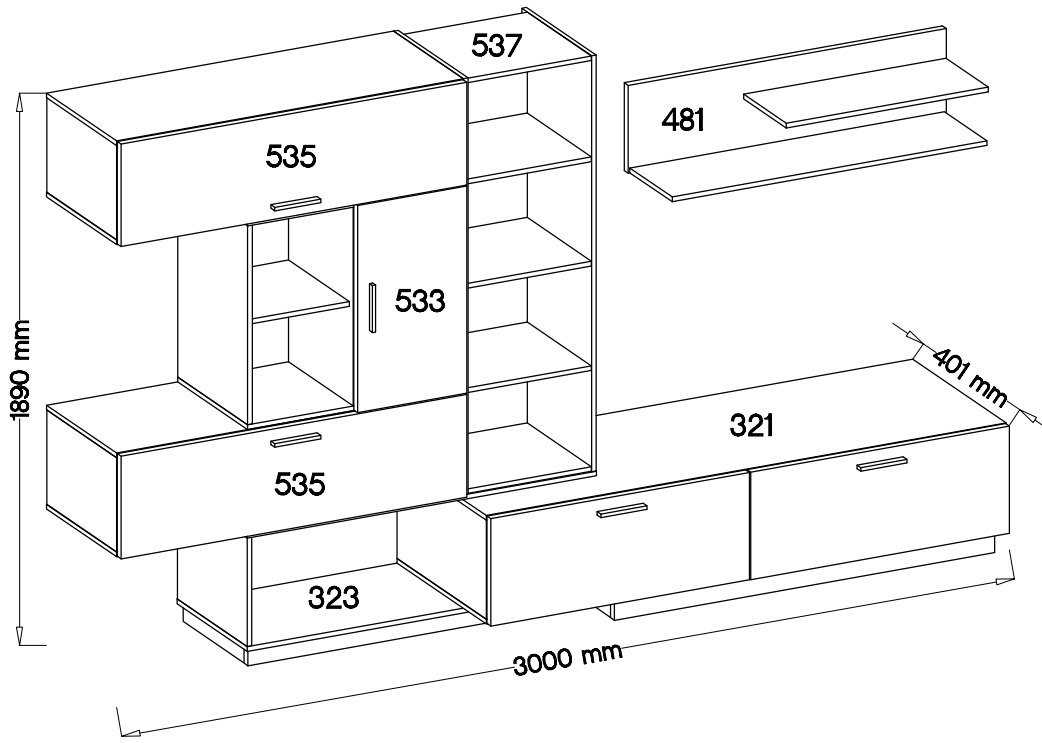
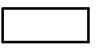
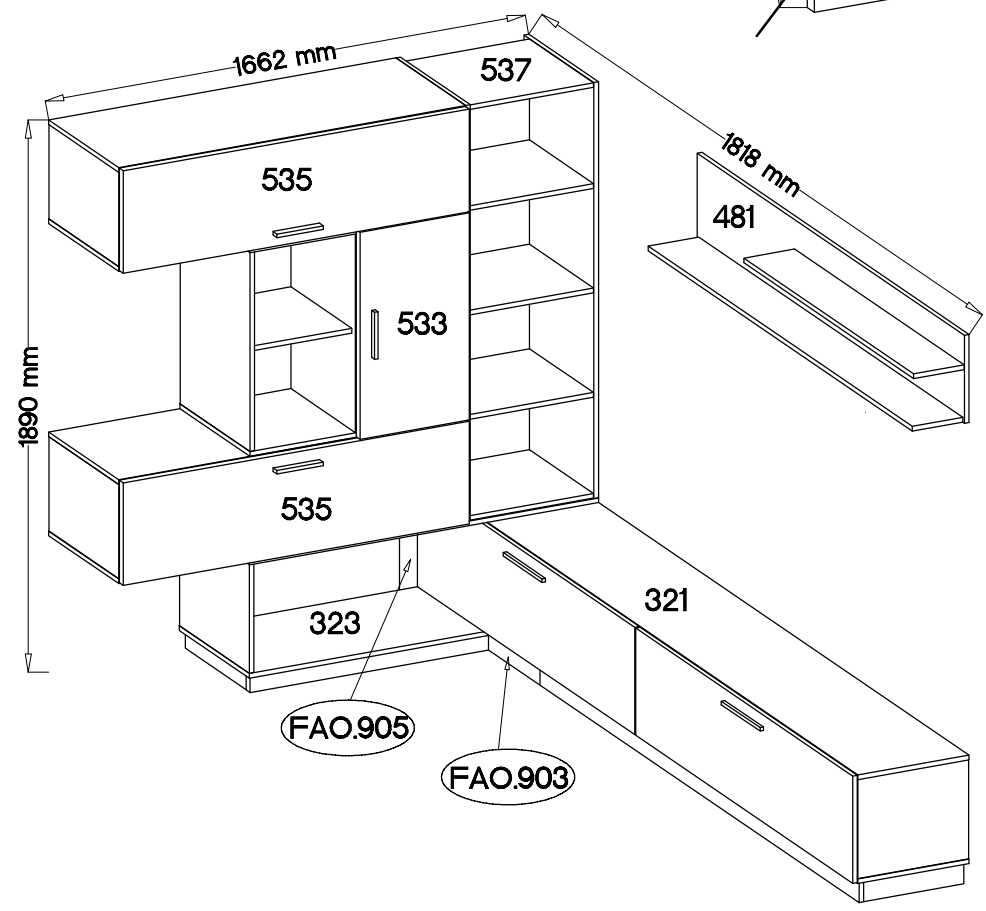
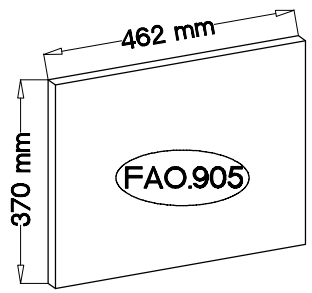
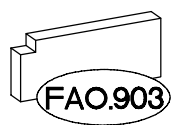


LACWH01



FAO.905 FAO.903



ISM-VAO-01

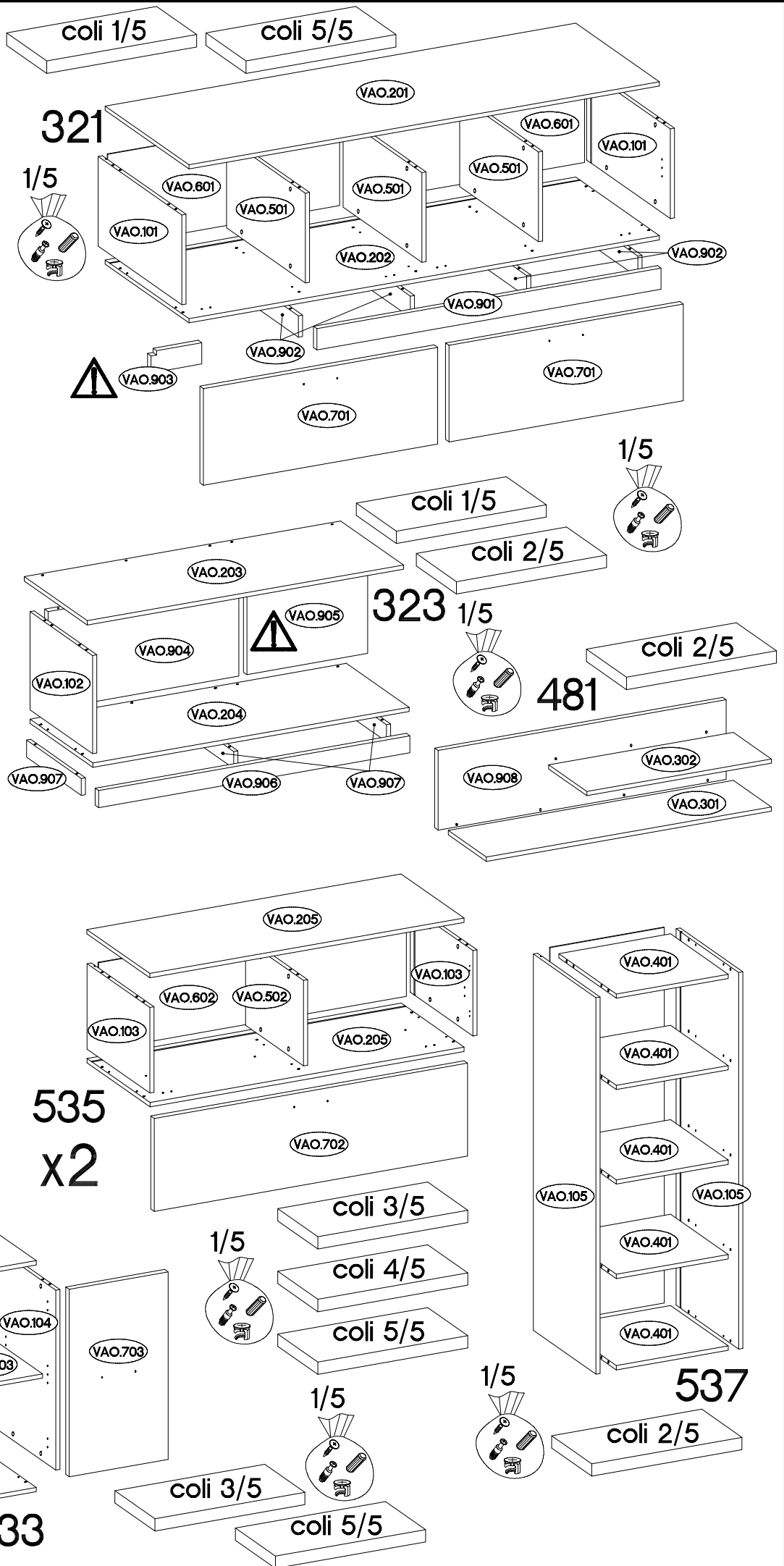
Coli	Ersatzteil Nummer	Dimension
1/5	VAO.101 x2	338x384x16
	VAO.201	1800x385x16
	VAO.202	1800x385x16
	VAO.501 x3	338x362x16
	VAO.601 x2	347x887x2,5
	VAO.901	1317x80x16
	VAO.902 x4	80x348x16
	VAO.903	210x80x16
	VAO.102	370x288x16
	VAO.904	730x370x16
	VAO.905	462x370x16
	VAO.906	1190x64x16
	VAO.907 x3	64x252x16

Coli	Ersatzteil Nummer	Dimension
2/5	VAO.203	1210x289x16
	VAO.204	1210x289x16
	VAO.301	1090x175x16
	VAO.302	706x175x16
	VAO.908	1102x300x16
	VAO.105 x2	1418x288x16
	VAO.401 x5	428x265x16
	VAO.604	1414x437x2,5

Coli	Ersatzteil Nummer	Dimension
3/5	VAO.106 x2	678x288x16
	VAO.206 x2	748x289x16
	VAO.303 x2	349x251x16
	VAO.503	678x266x16
	VAO.603 x2	687x361x2,5
	VAO.103 x4	322x288x16
	VAO.502 x2	322x266x16

Coli	Ersatzteil Nummer	Dimension
4/5	VAO.205 x4	1202x289x16
	VAO.602 x2	331x1177x2,5

Coli	Ersatzteil Nummer	Dimension
5/5	VAO.701 x2	896x364x16
	VAO.703	706x378x16
	VAO.702 x2	1198x350x16



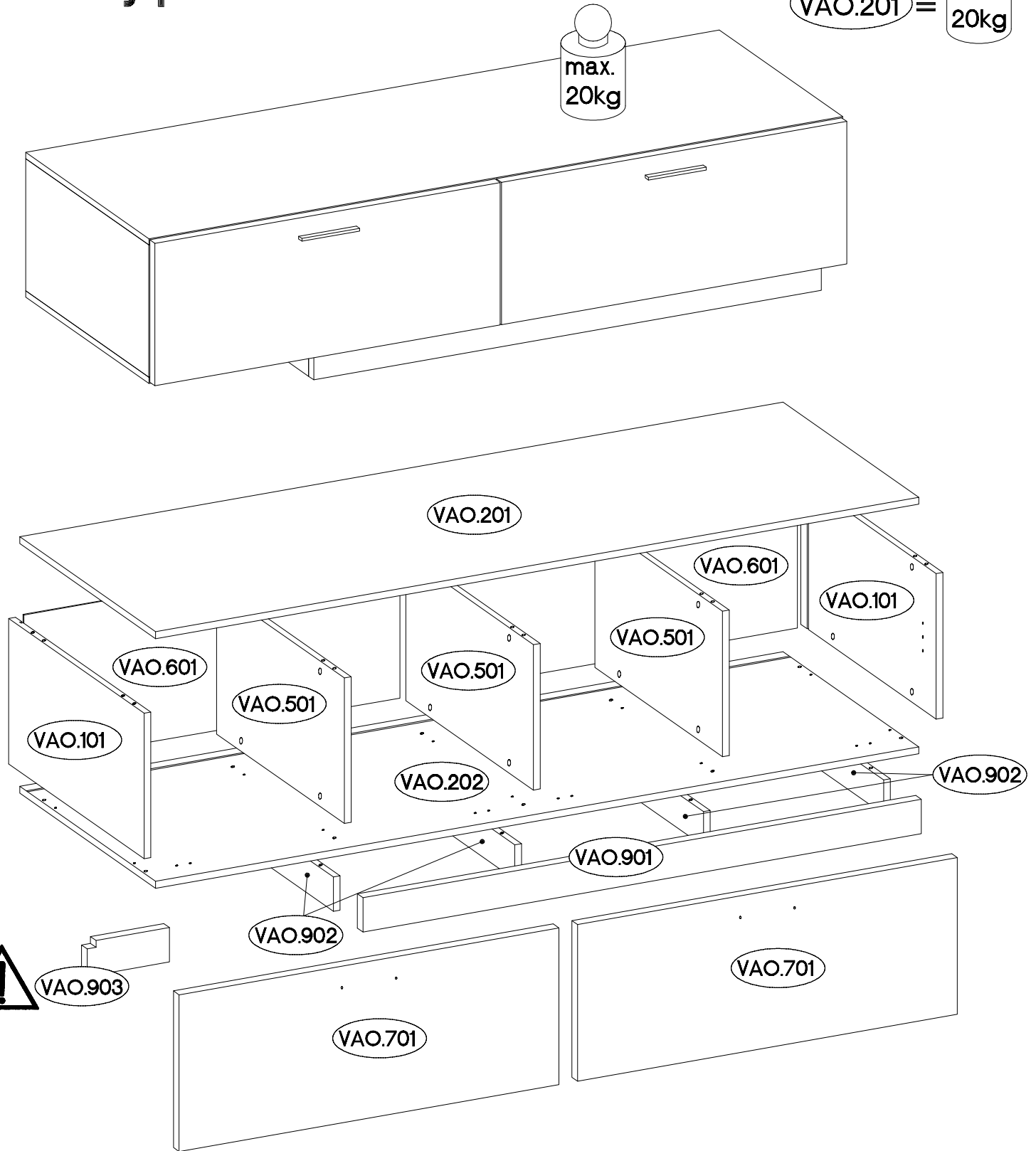
1

Typ 321

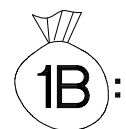
VAO.201 =

max.
20kg

max.
20kg

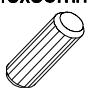


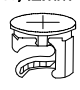
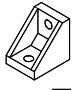




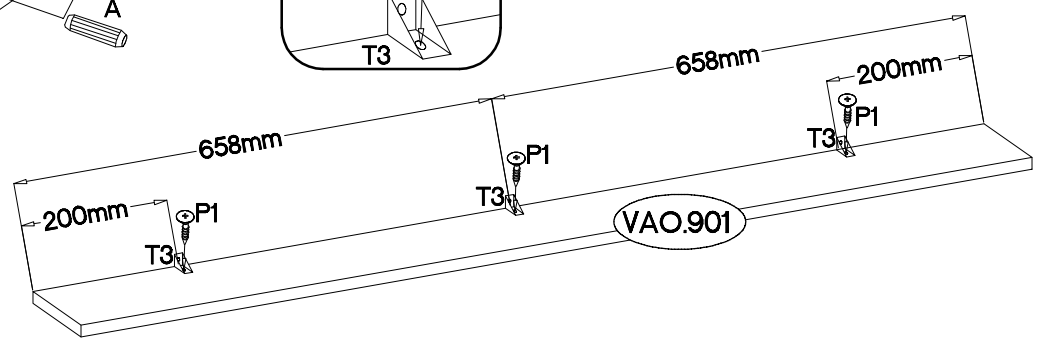
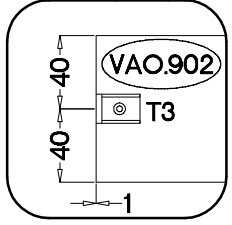
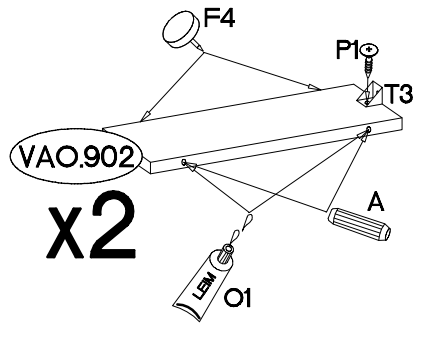
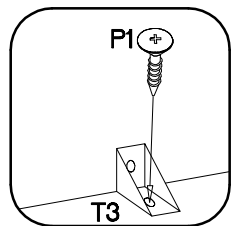
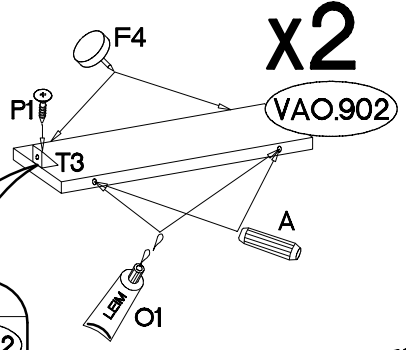
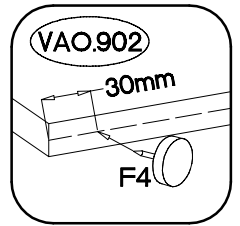
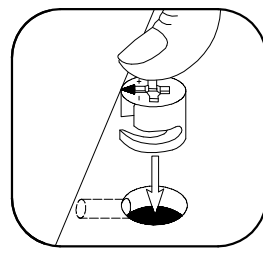
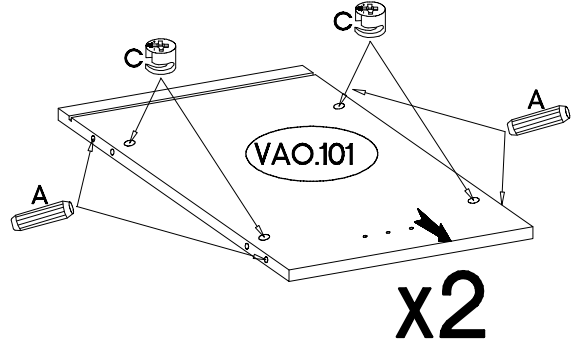
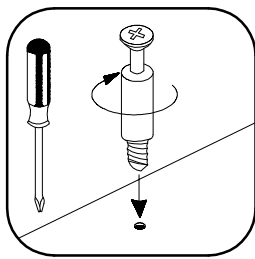
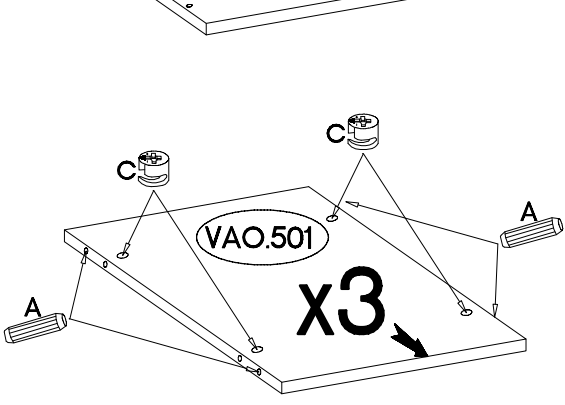
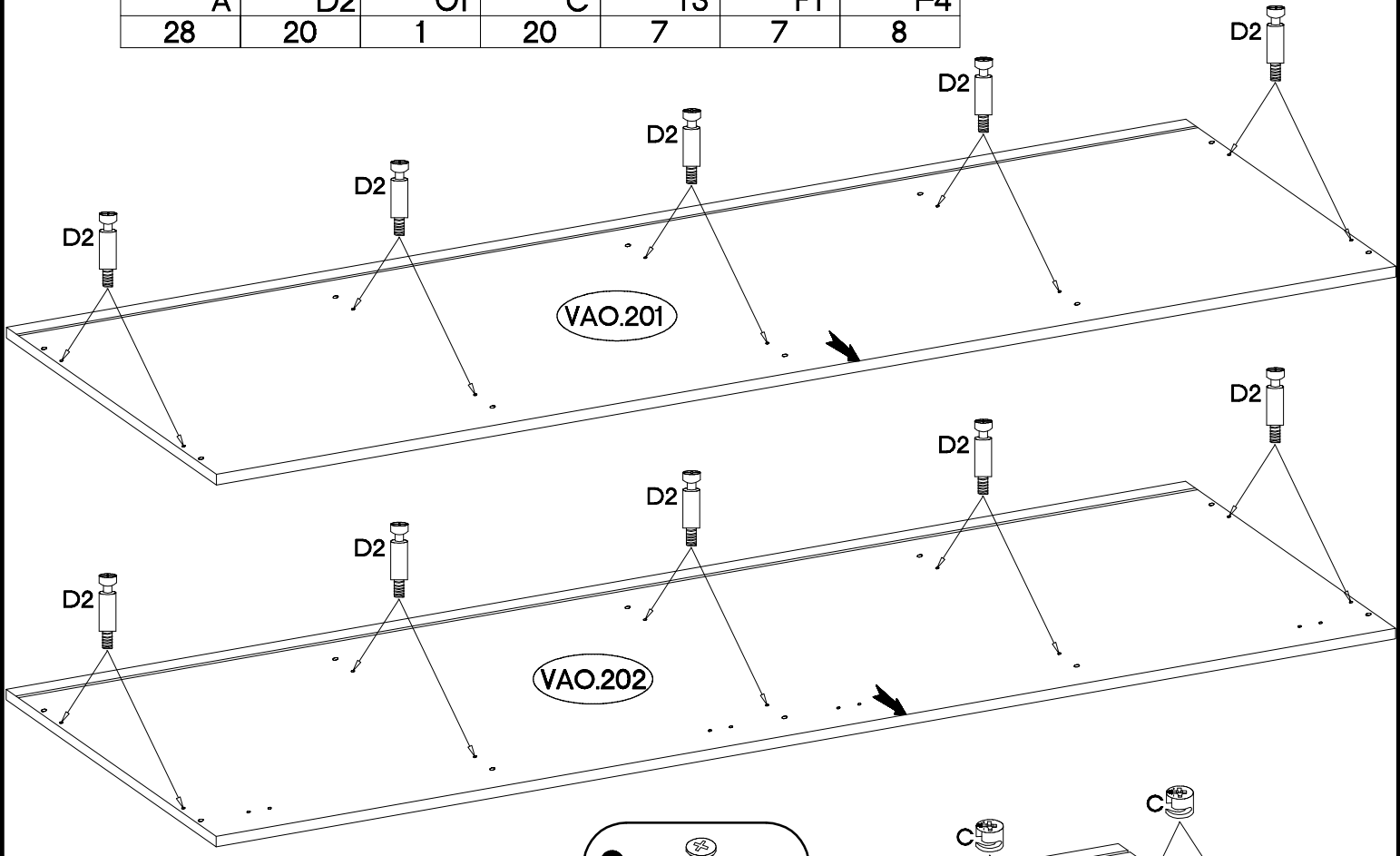
VAO.903




			†15/12mm			H=0	†35/0mm	†3.5x13mm	
			C	E	L2	H	G	P5	K13
			20	20	2	4	4	14	2
†8x30mm	L=20mm	L=128mm	†4.0x27mm			†4.0x16mm		†15x5mm	†3.0x16mm
A	D2	S11	R8	L	T3	P1	O1	F4	P11
28	20	2	4	10	9	18	1	8	8

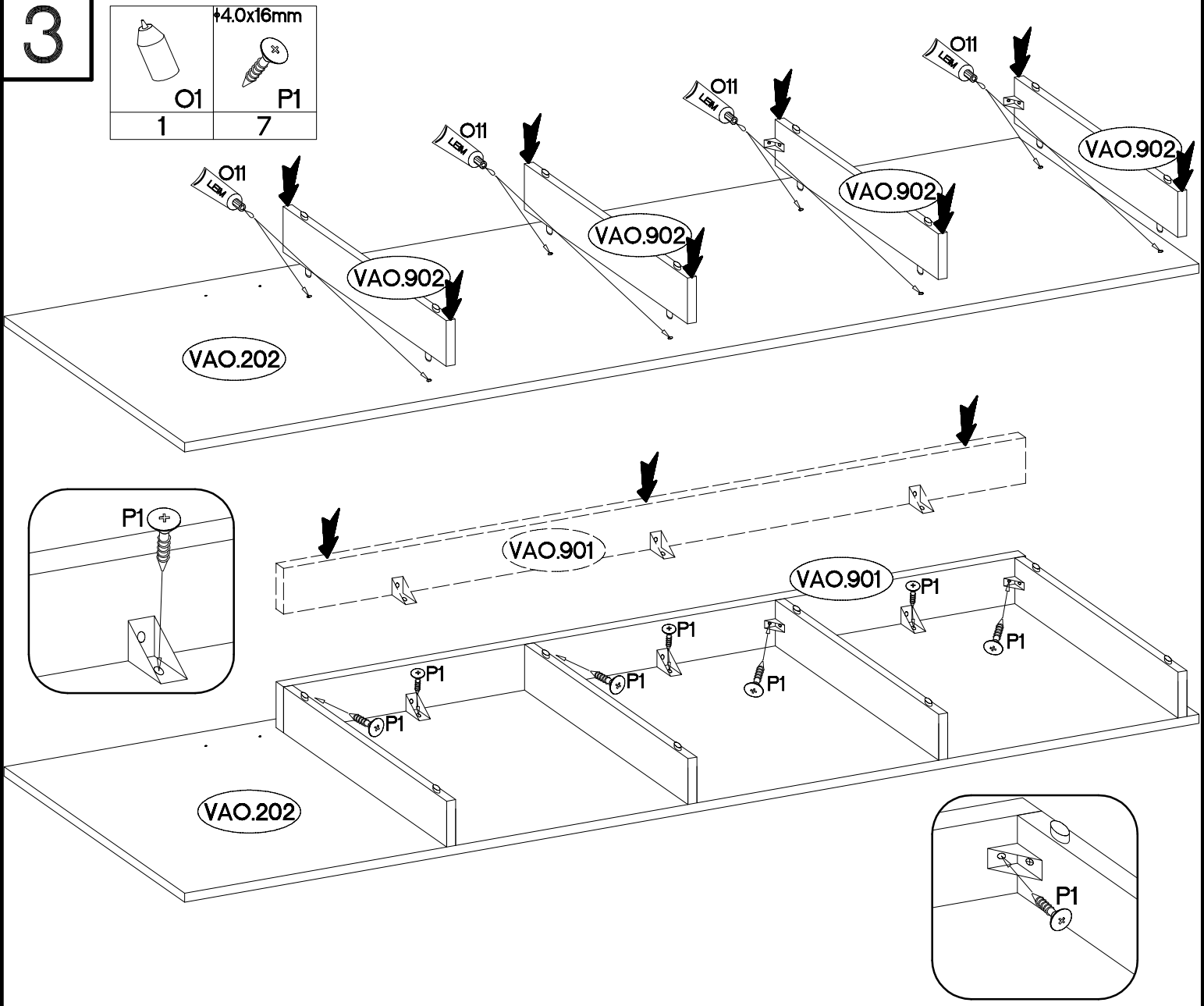
2

+8x30mm  A	L=20mm  D2	 O1	+15/12mm  C	T3 	+4.0x16mm  P1	+15x5mm  F4
28	20	1	20	7	7	8

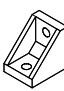


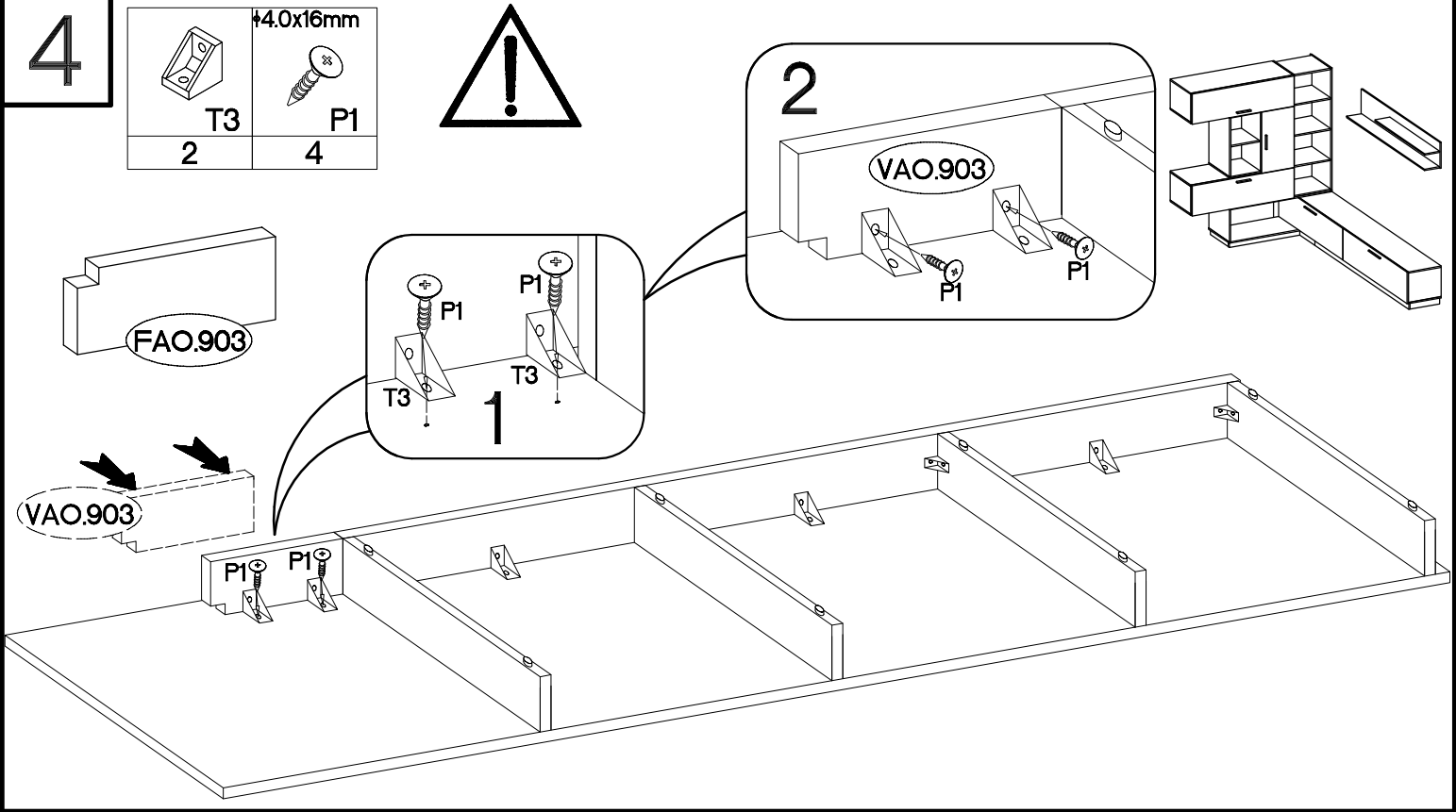
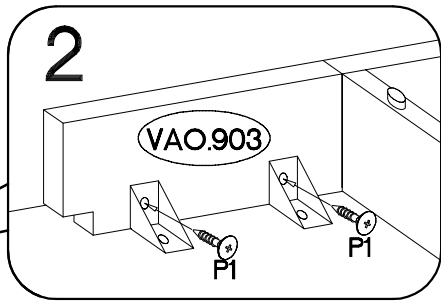
3

	±4.0x16mm
O1	P1
1	7

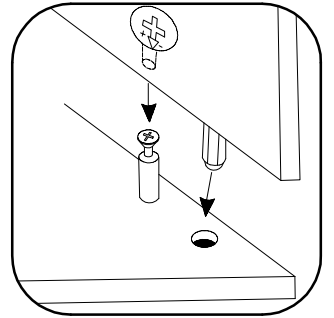
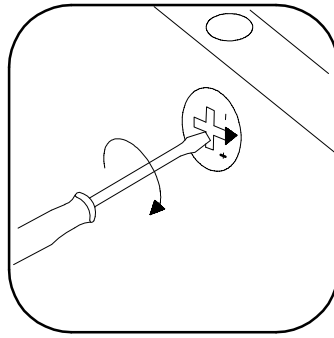
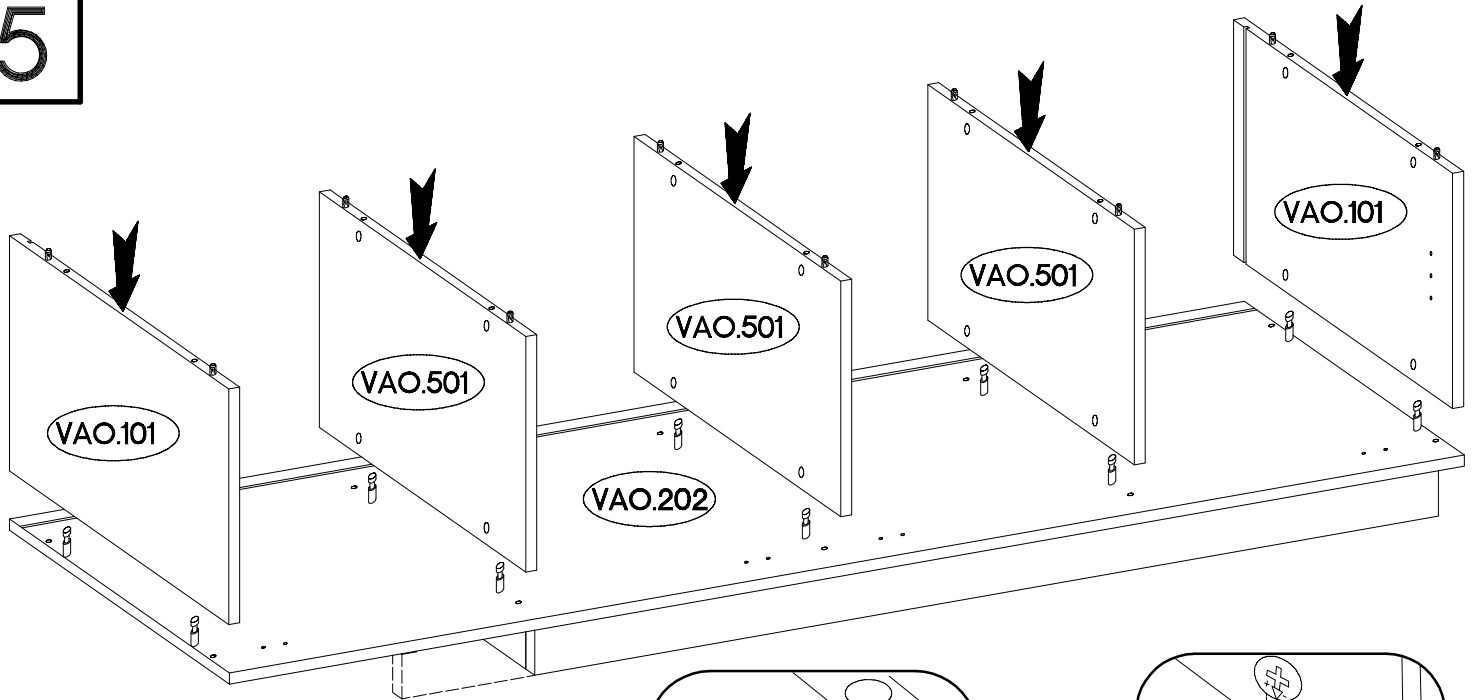


4

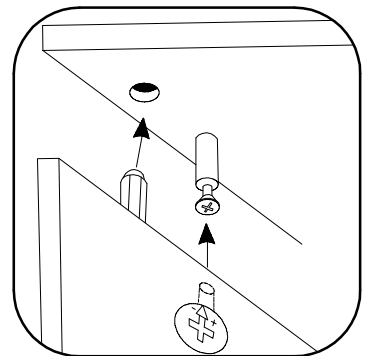
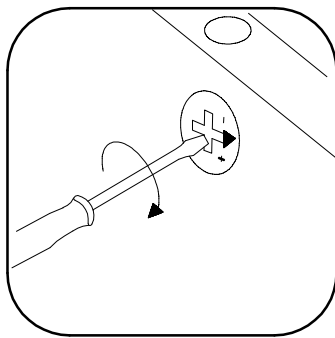
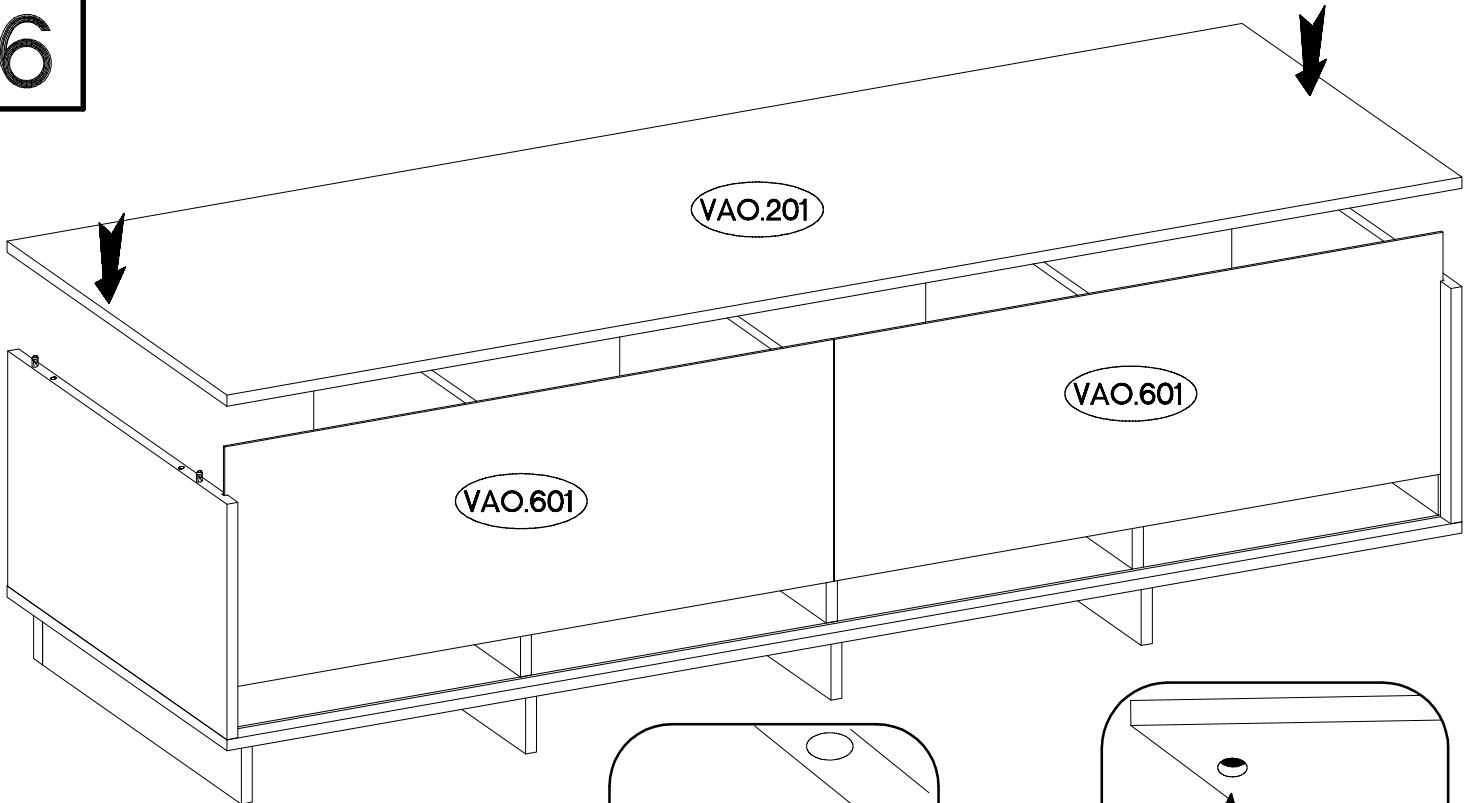
	±4.0x16mm
T3	P1
2	4



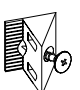

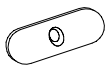
5

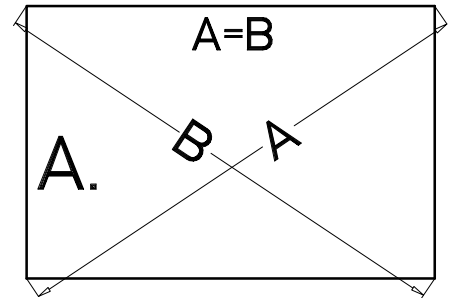
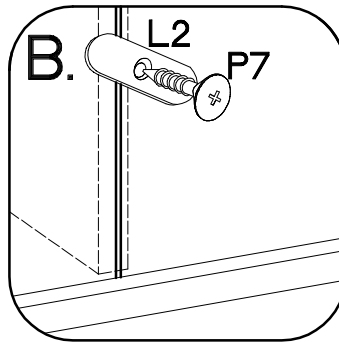
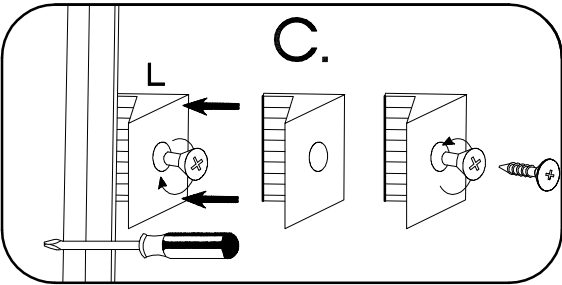
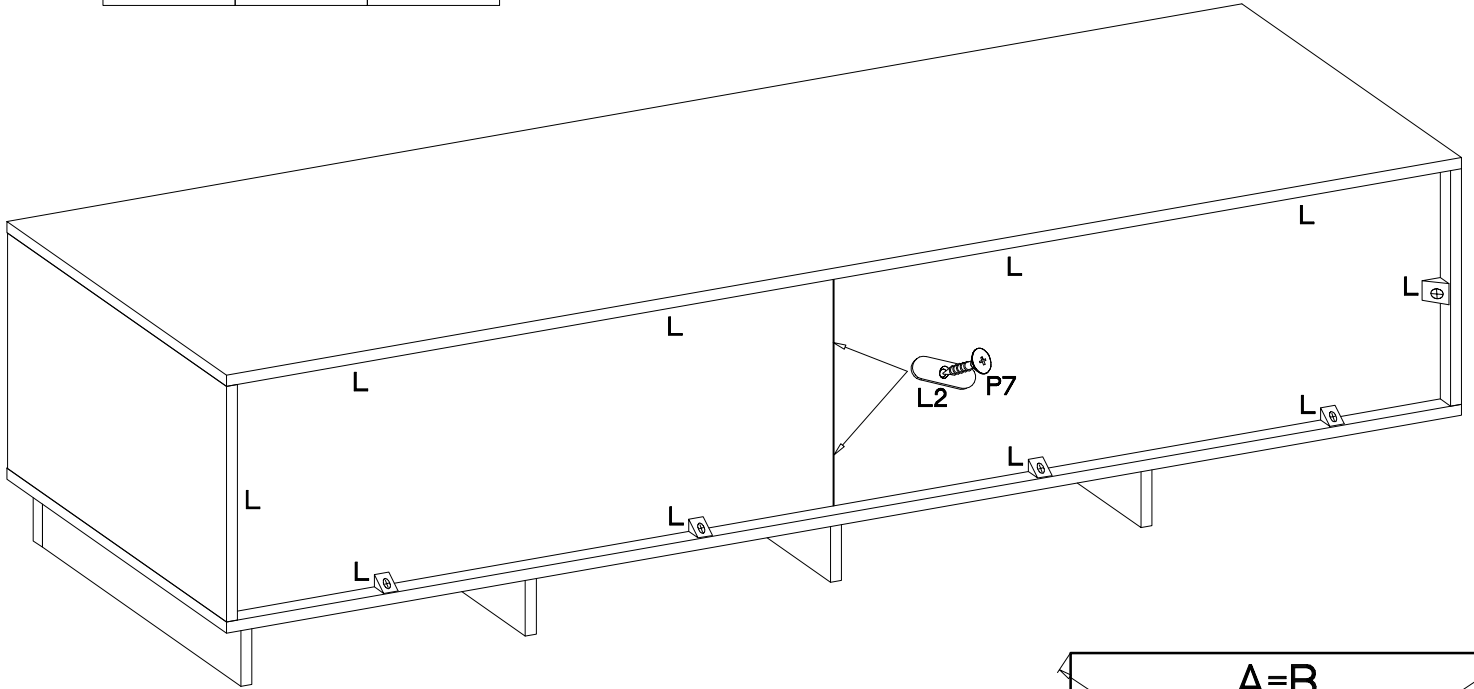


6

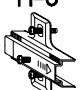
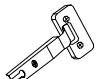



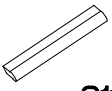

7

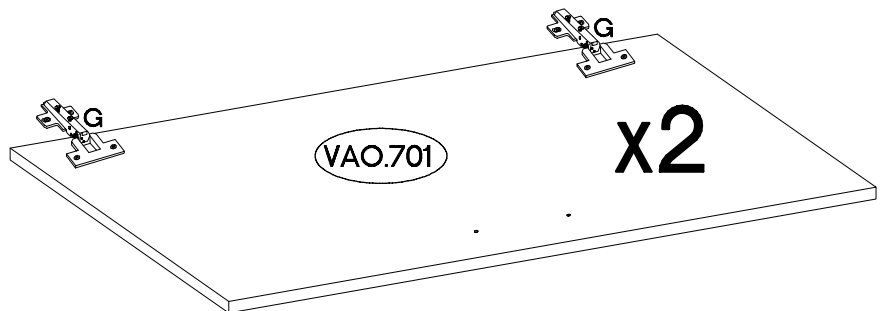
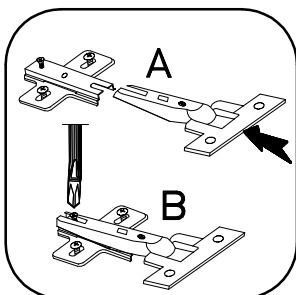
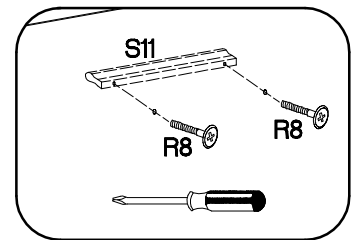
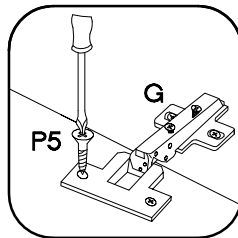
 L	$\pm 3.0 \times 16 \text{mm}$  P11	 L2
10	8	2





8

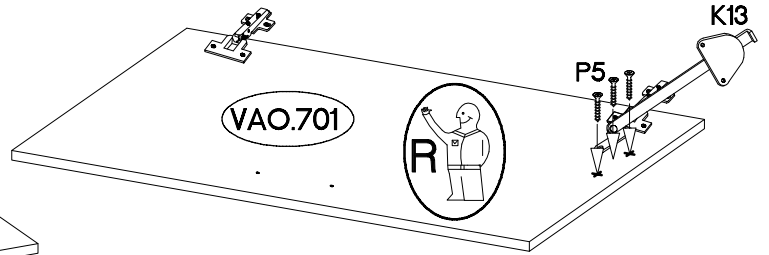
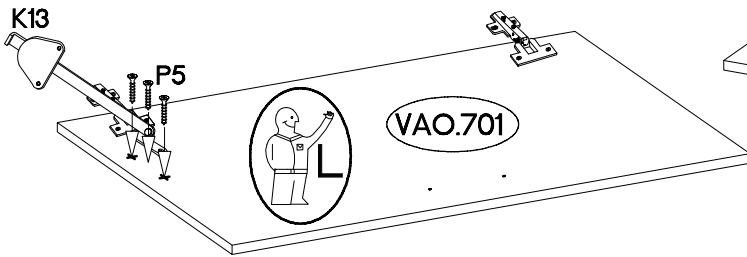
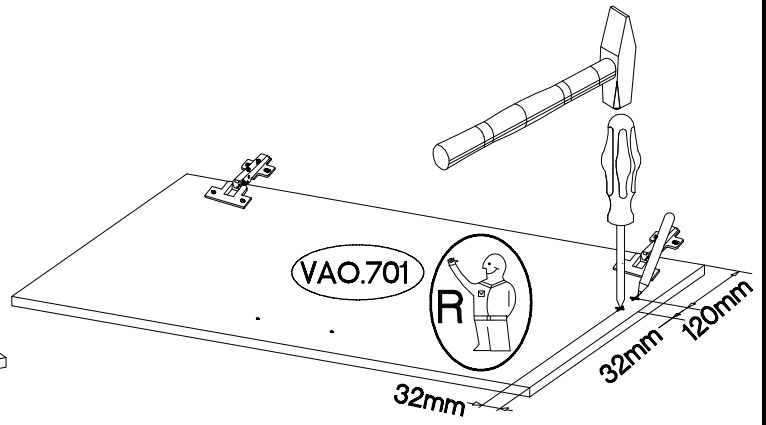
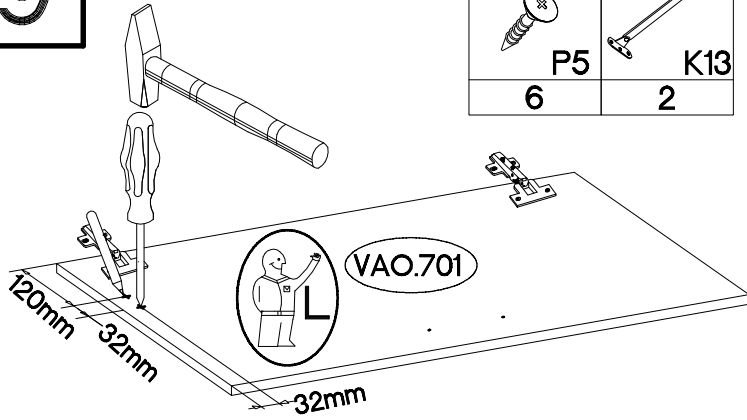
 H=0 H	$\pm 35/0 \text{mm}$  G	$\pm 3.5 \times 13 \text{mm}$  P5
4	4	8

L=128mm  S11	$\pm 4.0 \times 27 \text{mm}$  R8
2	4





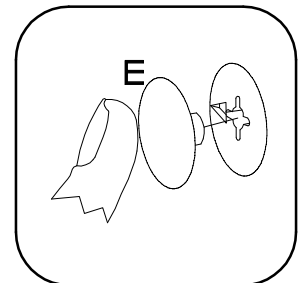
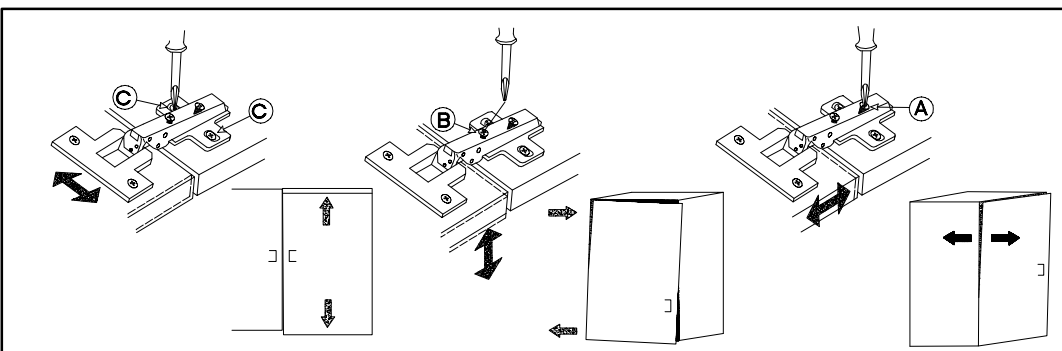
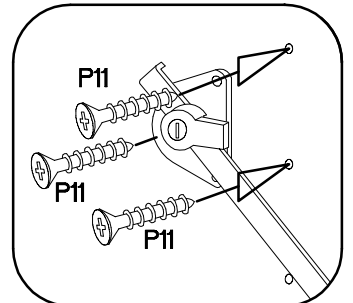
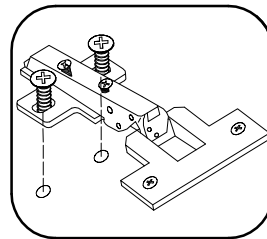
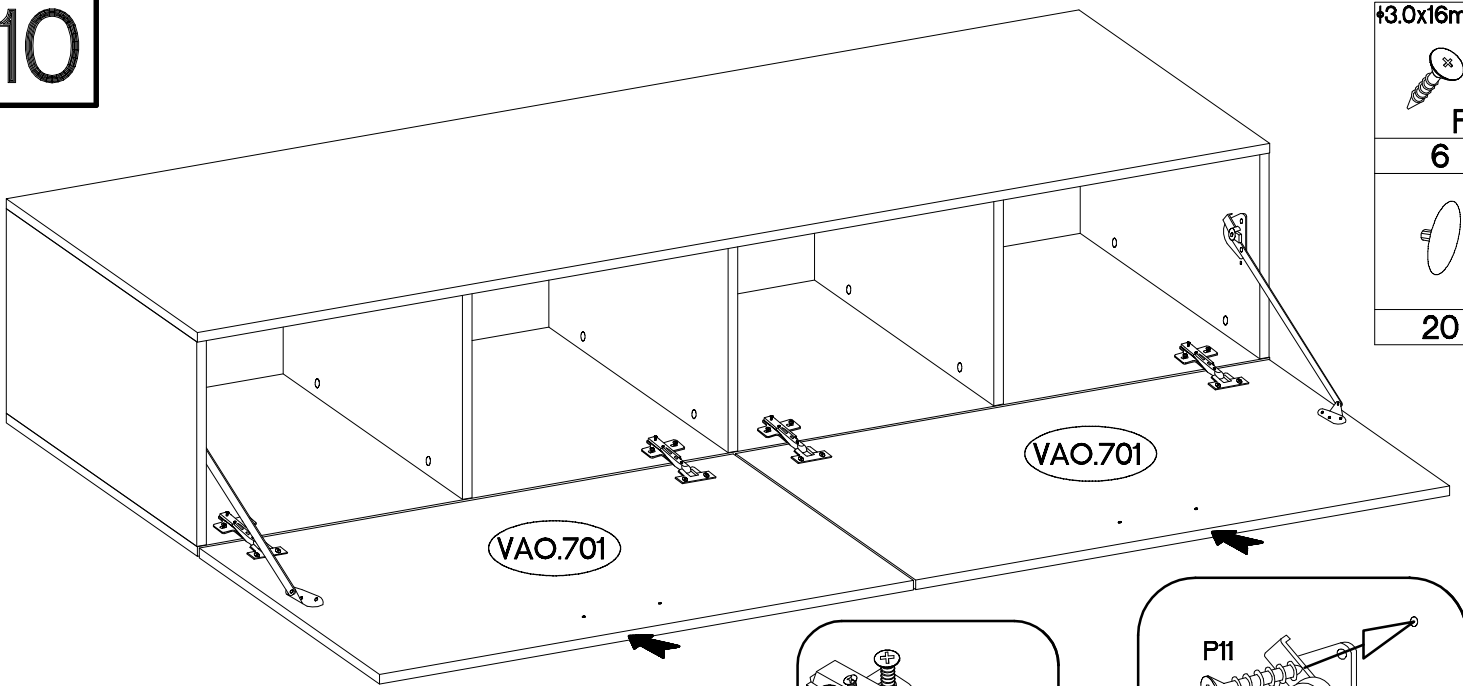
9

$\pm 3.5 \times 13 \text{mm}$  P5 6	 K13 2
--	--

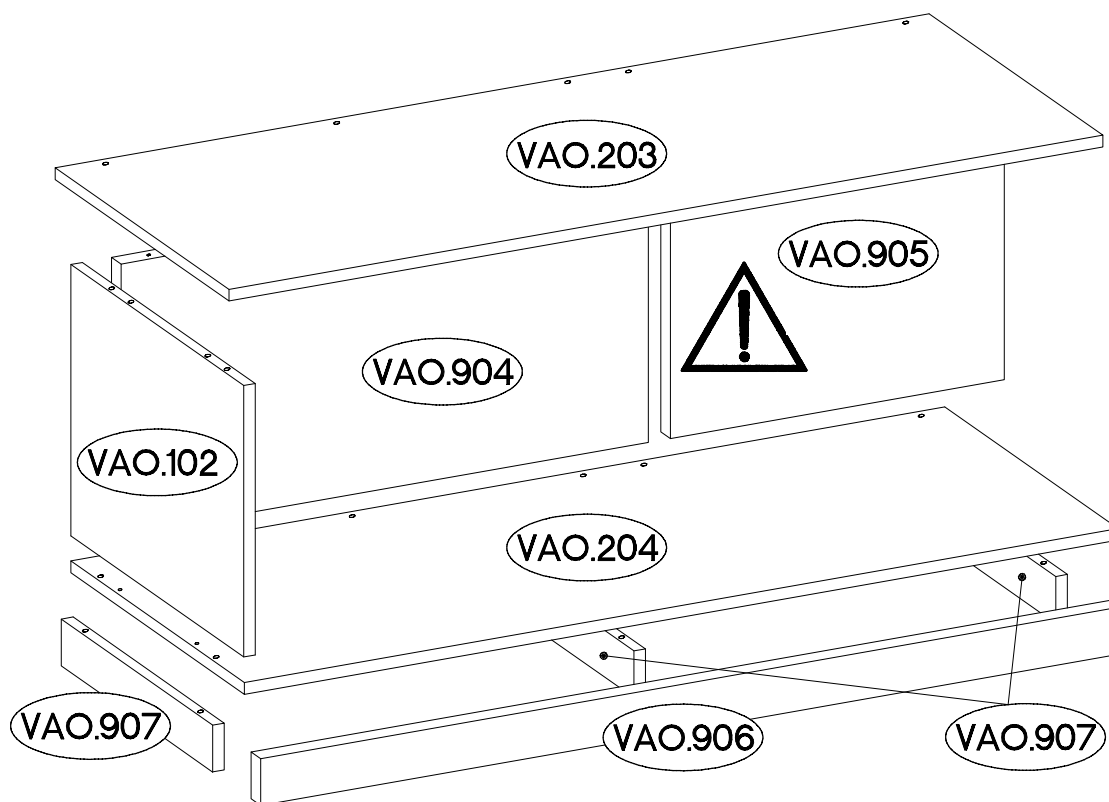
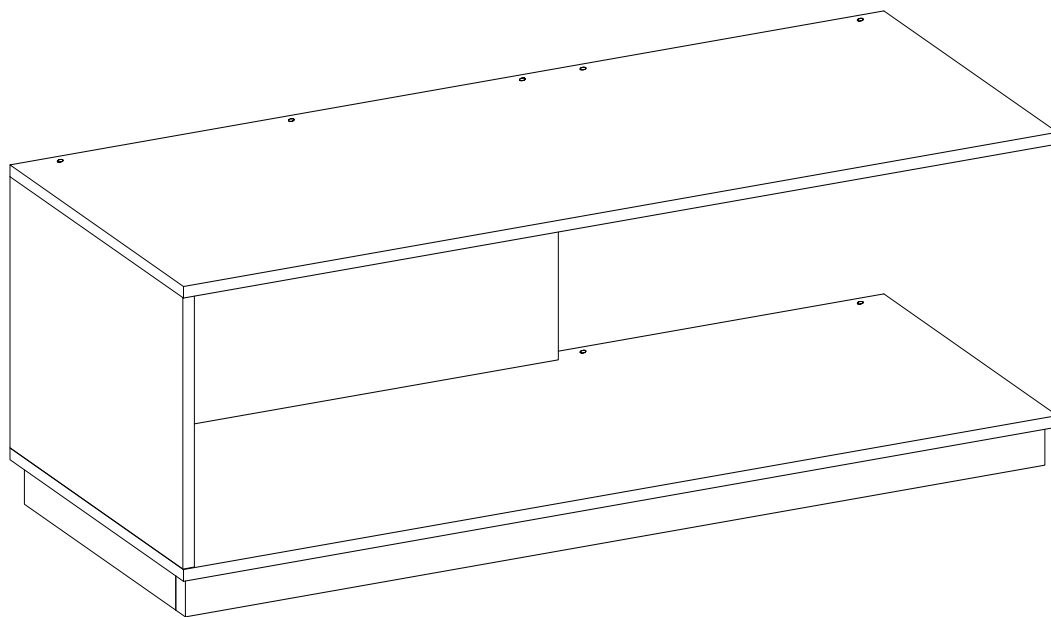


10

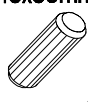
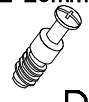
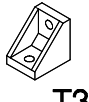




$\pm 3.0 \times 16 \text{mm}$  P11 6	 E 20
---	--

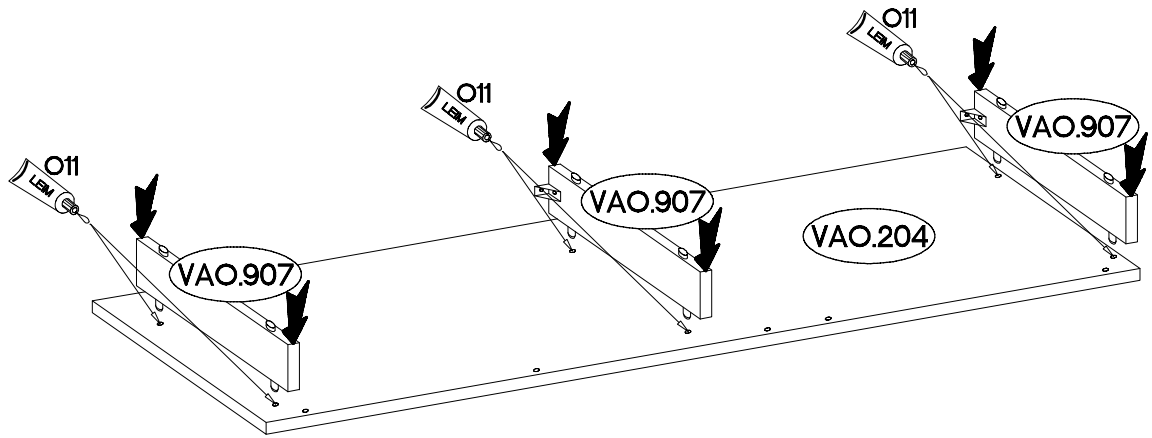
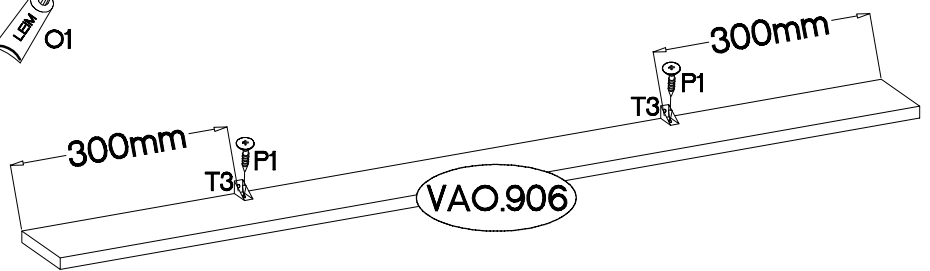
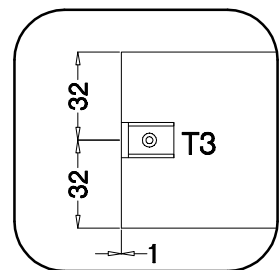
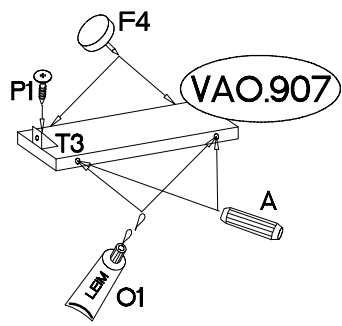
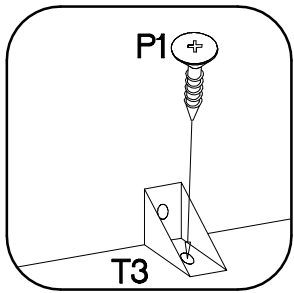
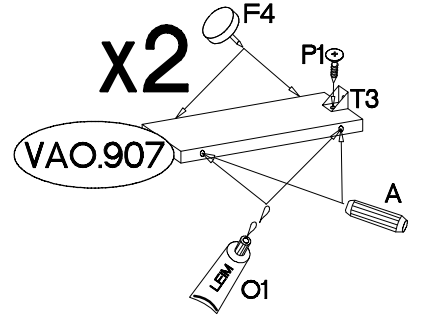
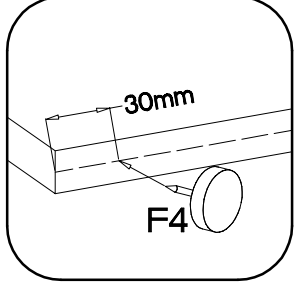
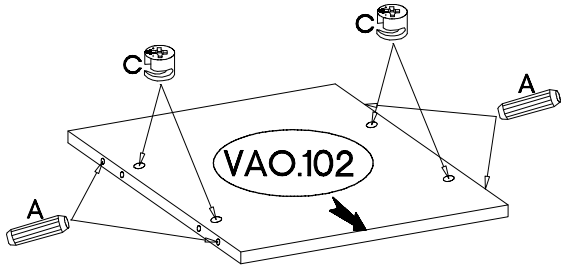
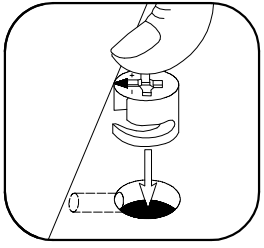
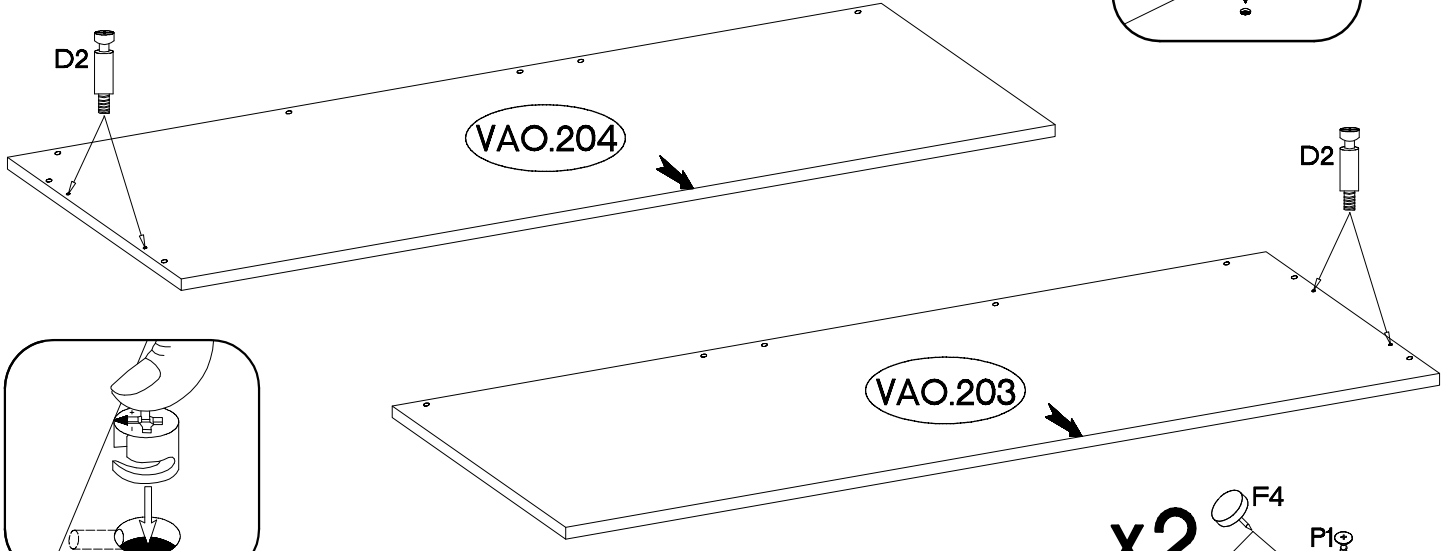
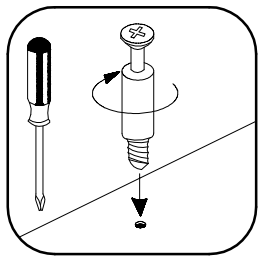


Typ 323

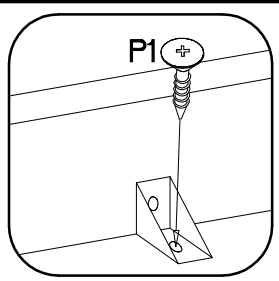
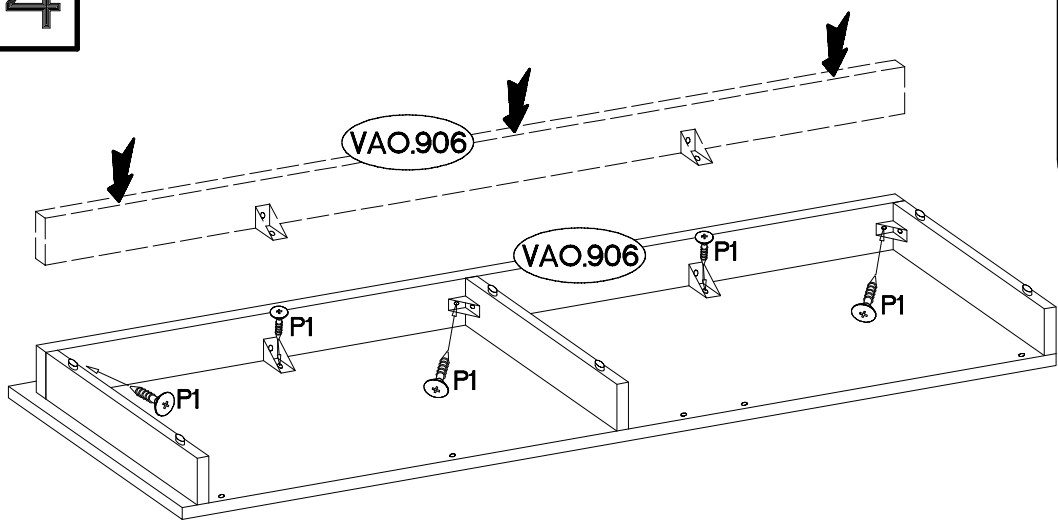


†8x30mm	L=20mm		†4.0x16mm		†15x5mm			6,4 x 50mm	†15/12mm
A	D2	T3	P1	O1	F4	E	O	B	C
10	4	5	10	1	6	4	1	10	4

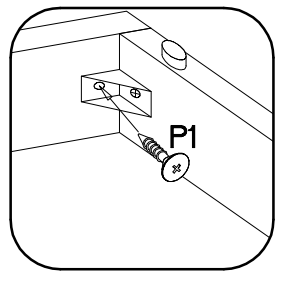
∅8x30mm 	L=20mm 		∅4.0x16mm 	∅15x5mm 	∅15/12mm 	
A	D2	T3	P1	F4	C	O1
10	4	5	5	6	4	1



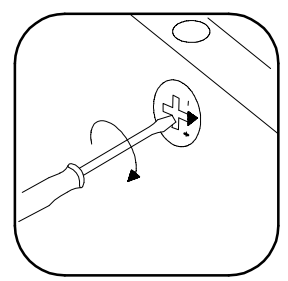
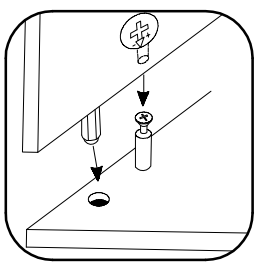
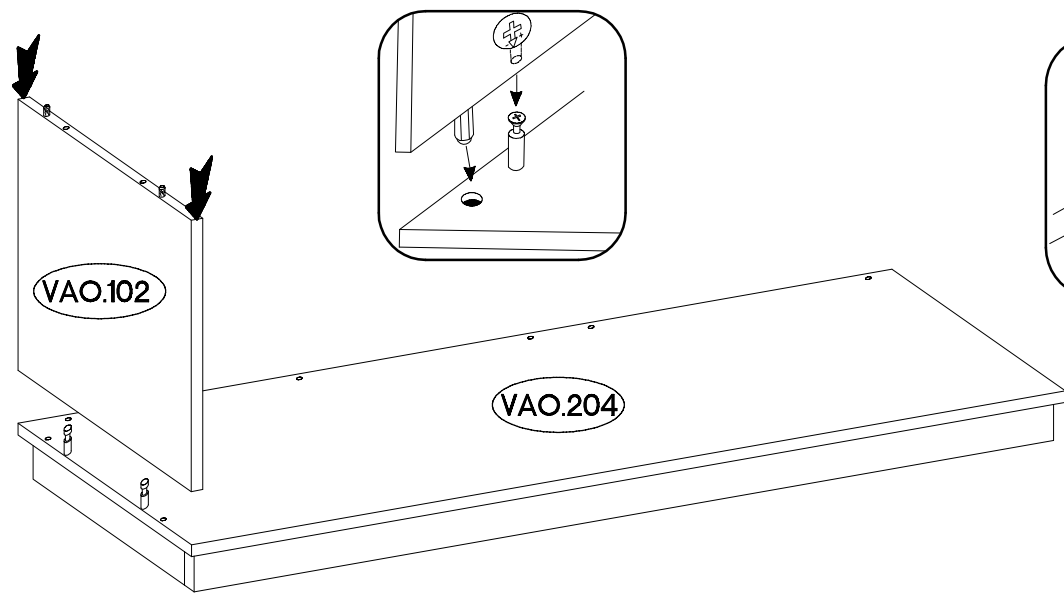
14



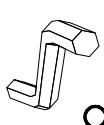
4.0x16mm
P1
5

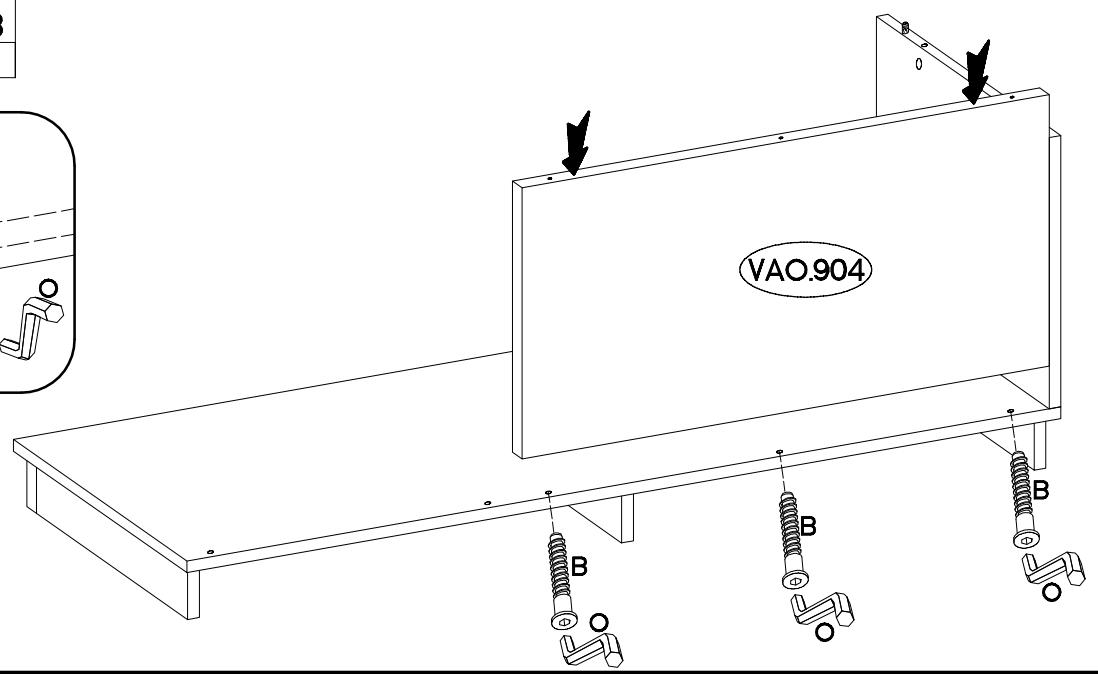
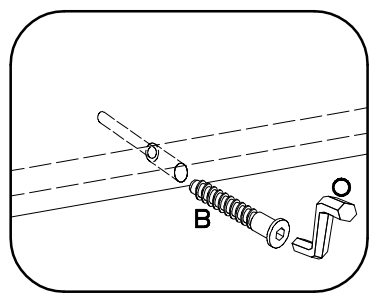


15


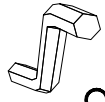



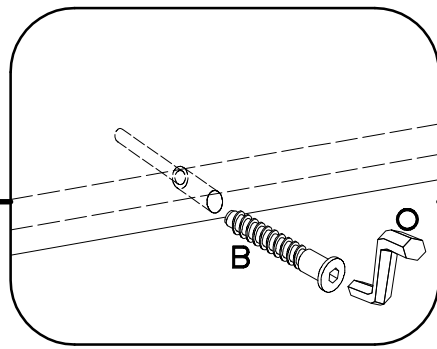
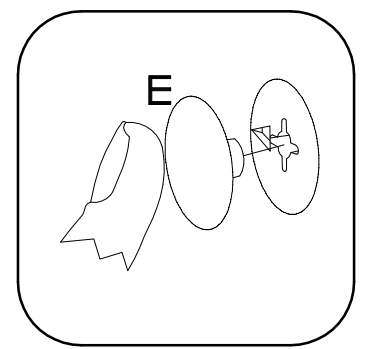
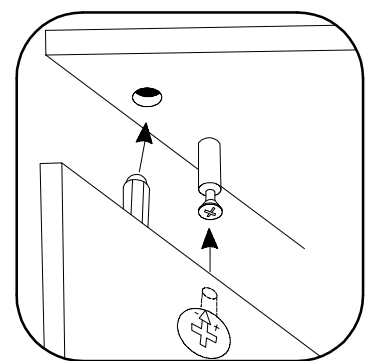
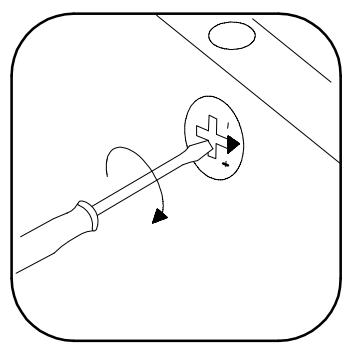
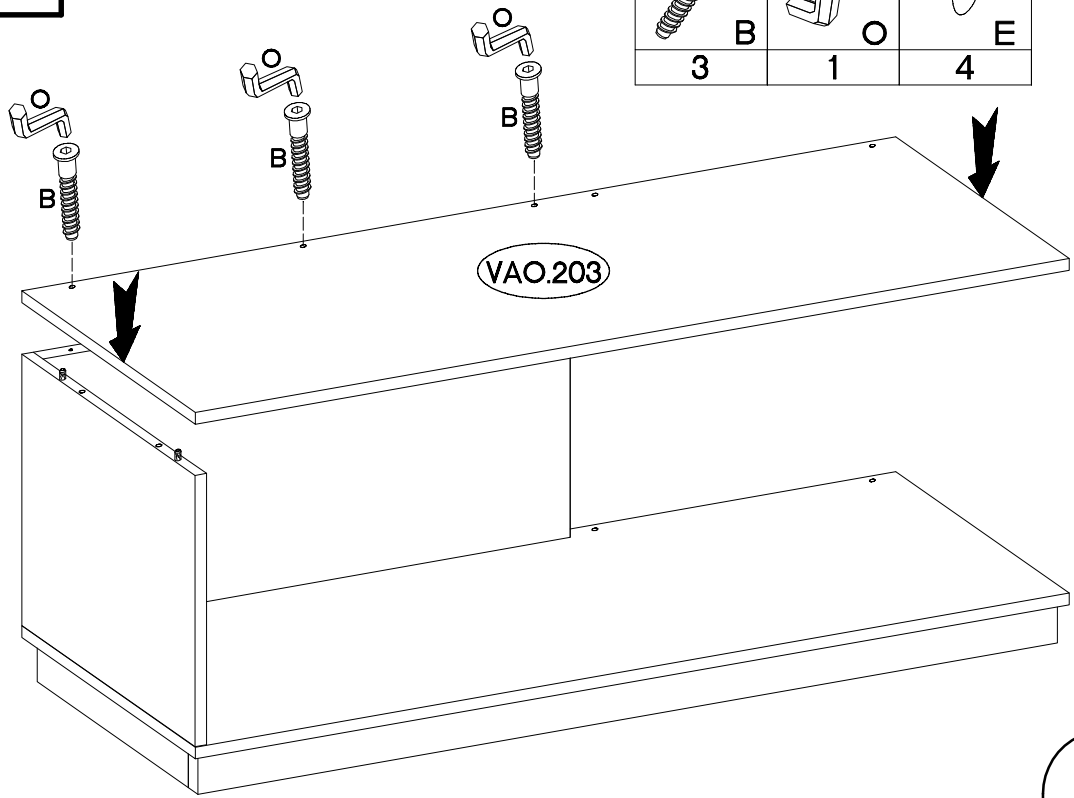
16

	6,4 x 50mm
O	B
1	3

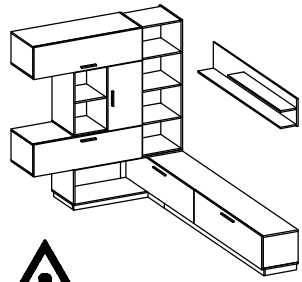


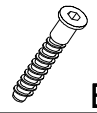
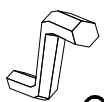
17

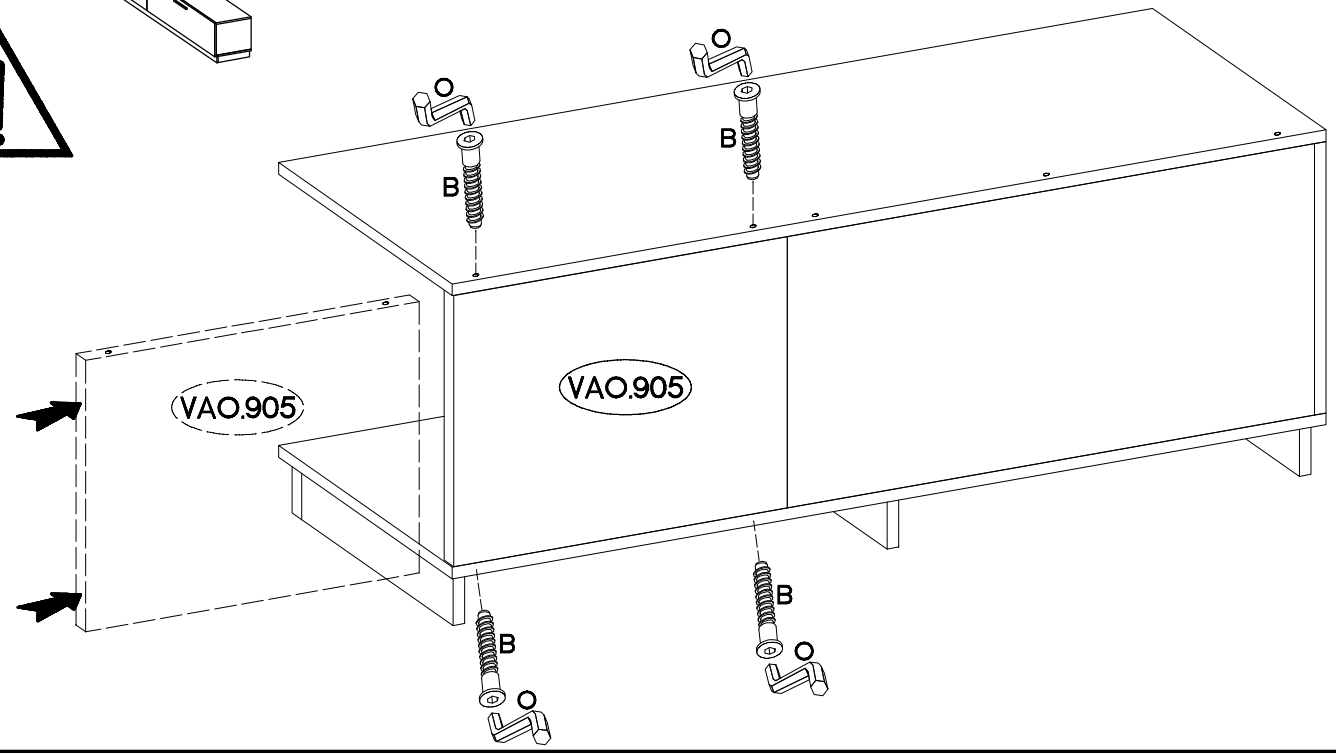
6,4 x 50mm		
		
3	1	4



18



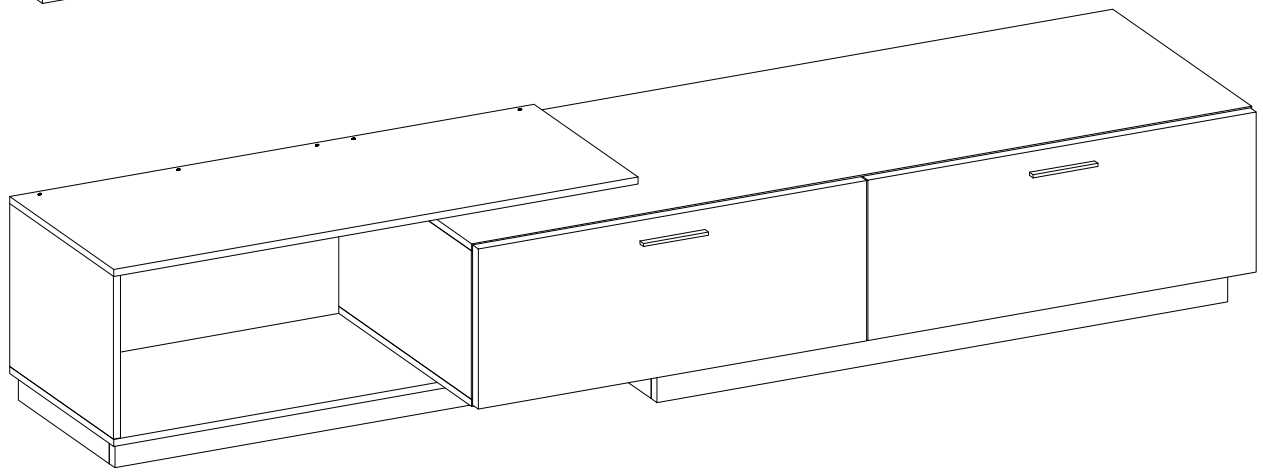
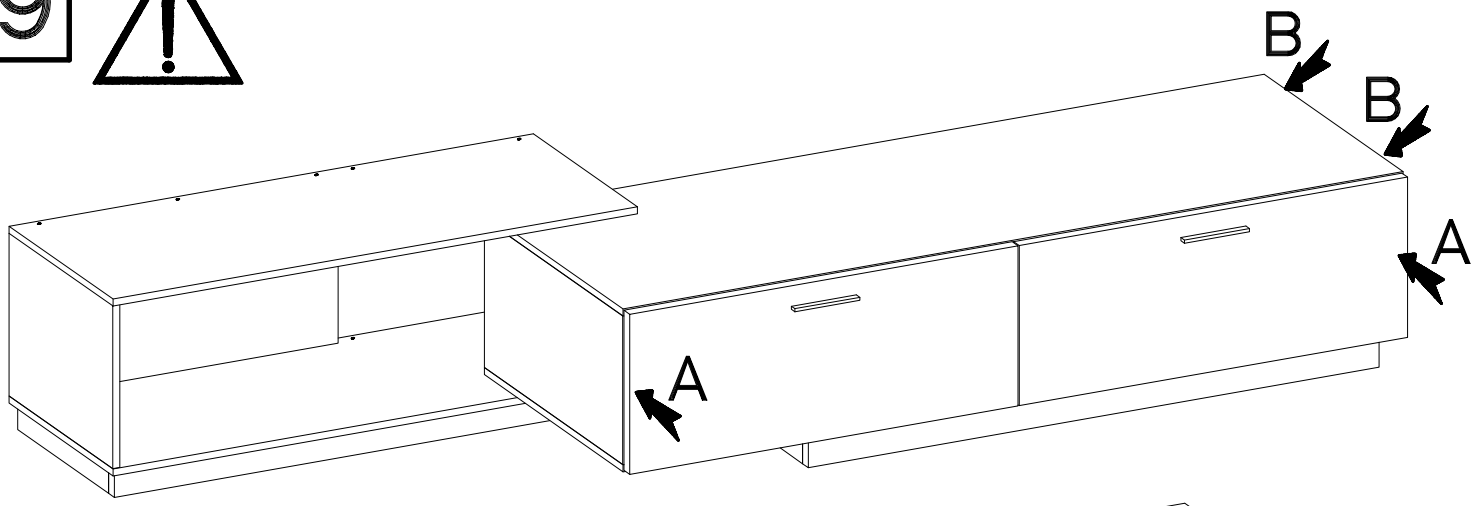
6,4 x 50mm	
	
4	1



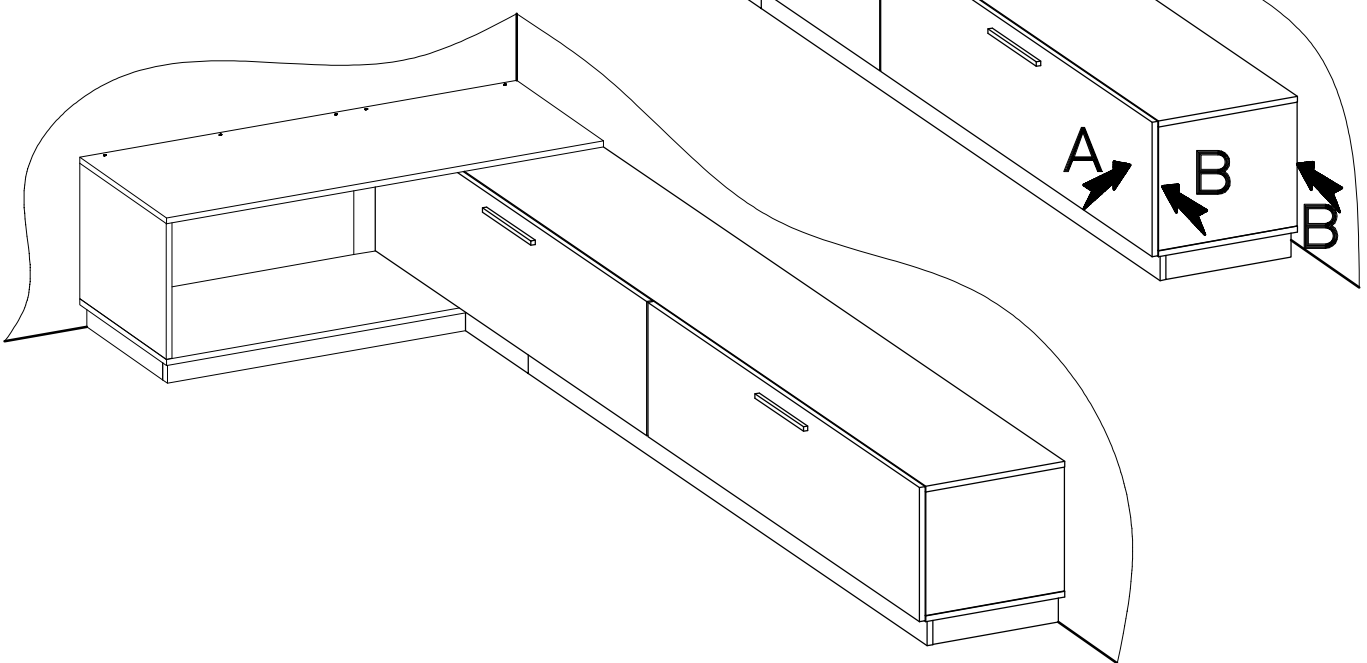
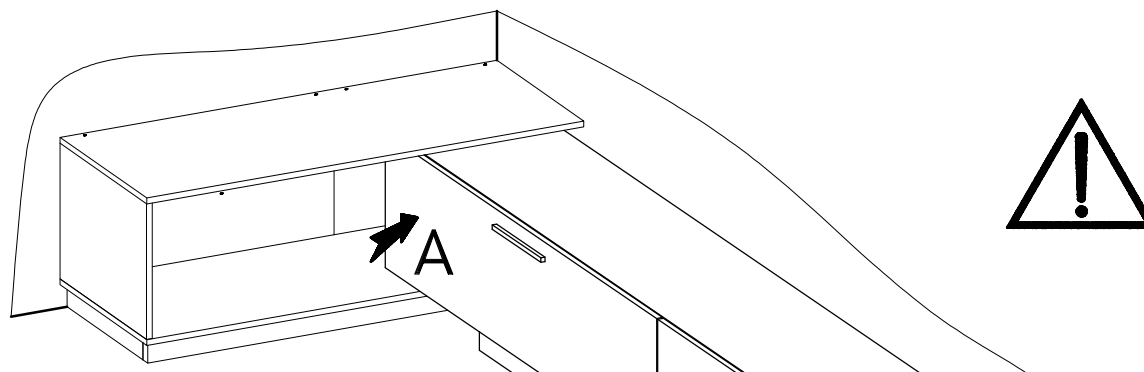
VAO.905

VAO.905

19



20

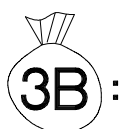
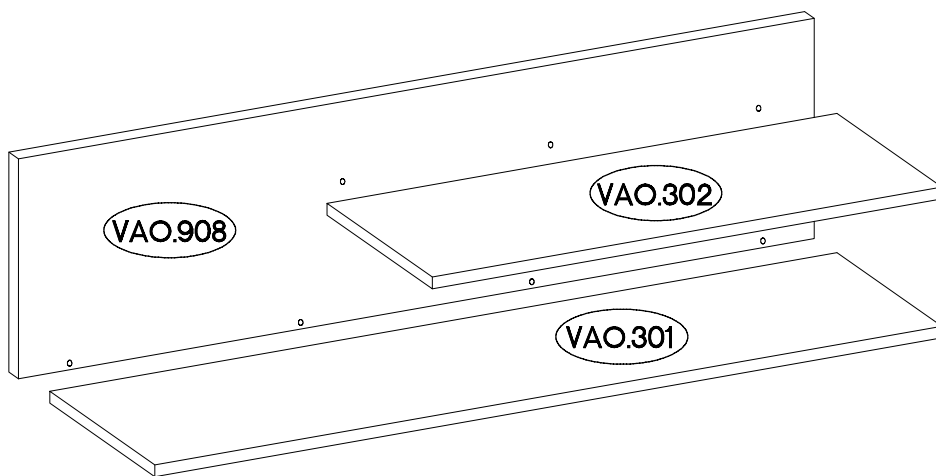
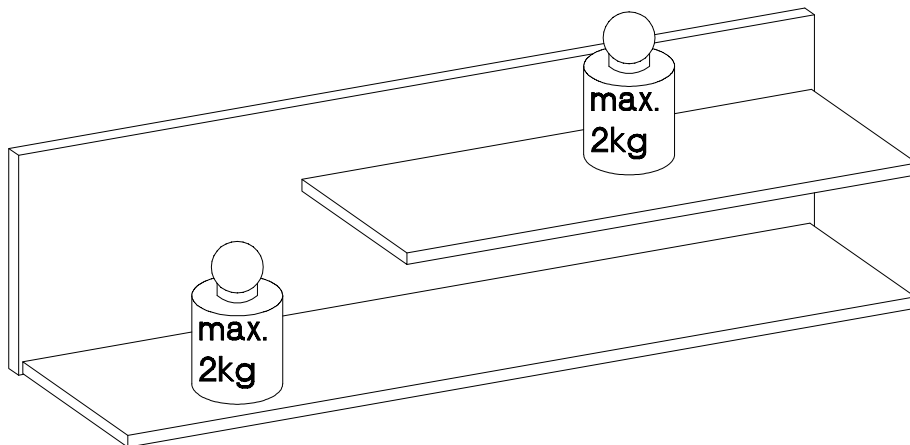
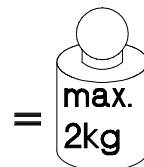


21

Typ 481




VAO.302

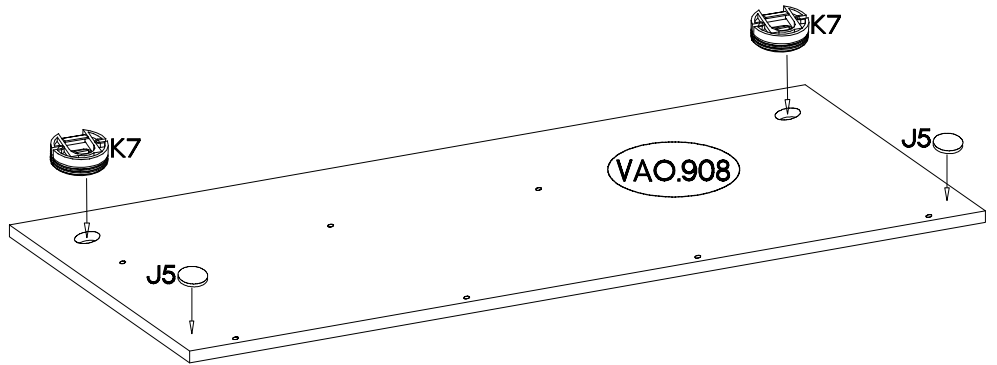
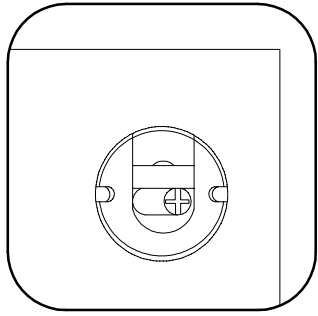
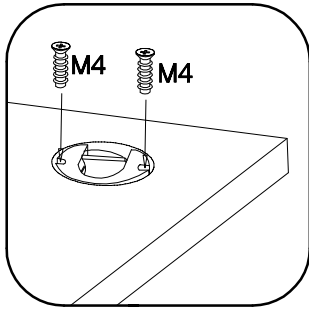
VAO.301



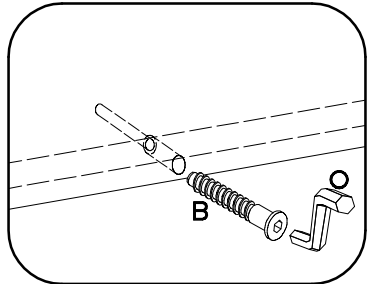
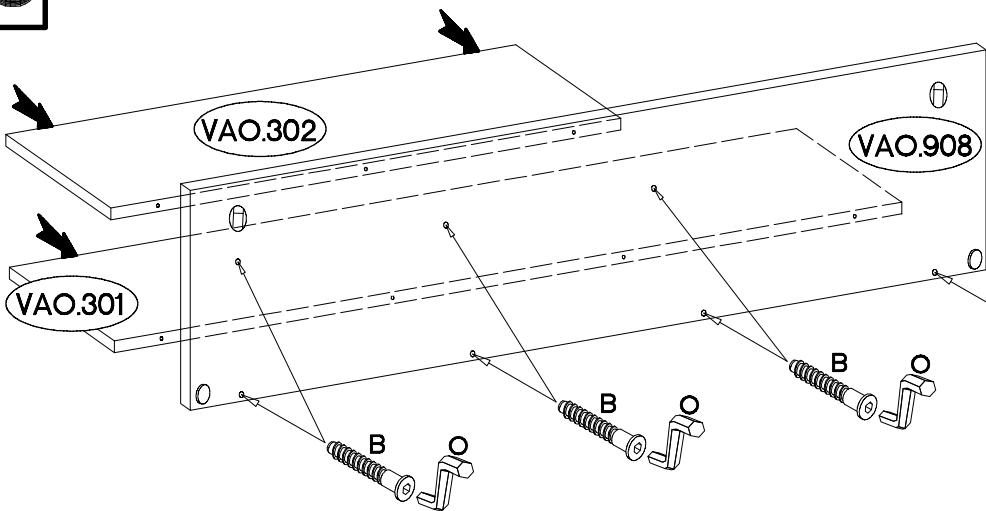
+6,3x9mm	+10x50mm			6,4 x 50mm	+7/2mm	5/45mm
M4	O7	K7	O	B	J5	O3
4	2	2	1	7	2	2

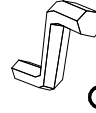

22

$\pm 6,3 \times 9 \text{mm}$  M4 4	 K7 2	$\pm 7/2 \text{mm}$  J5 2
--	--	---

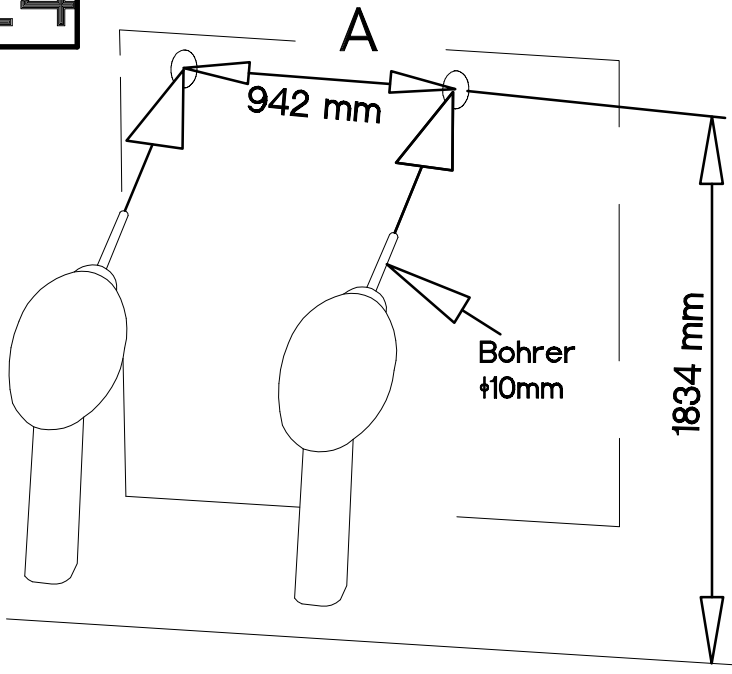




23



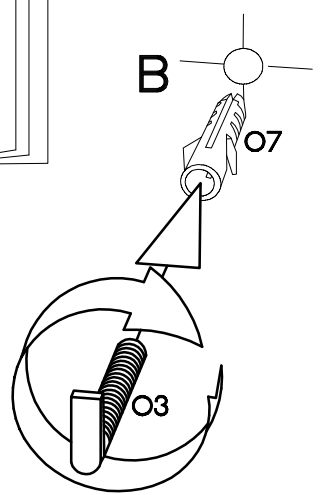
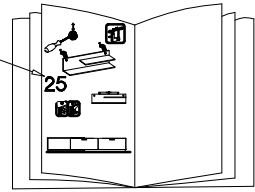
 O 1	$6,4 \times 50 \text{mm}$  B 7
--	---

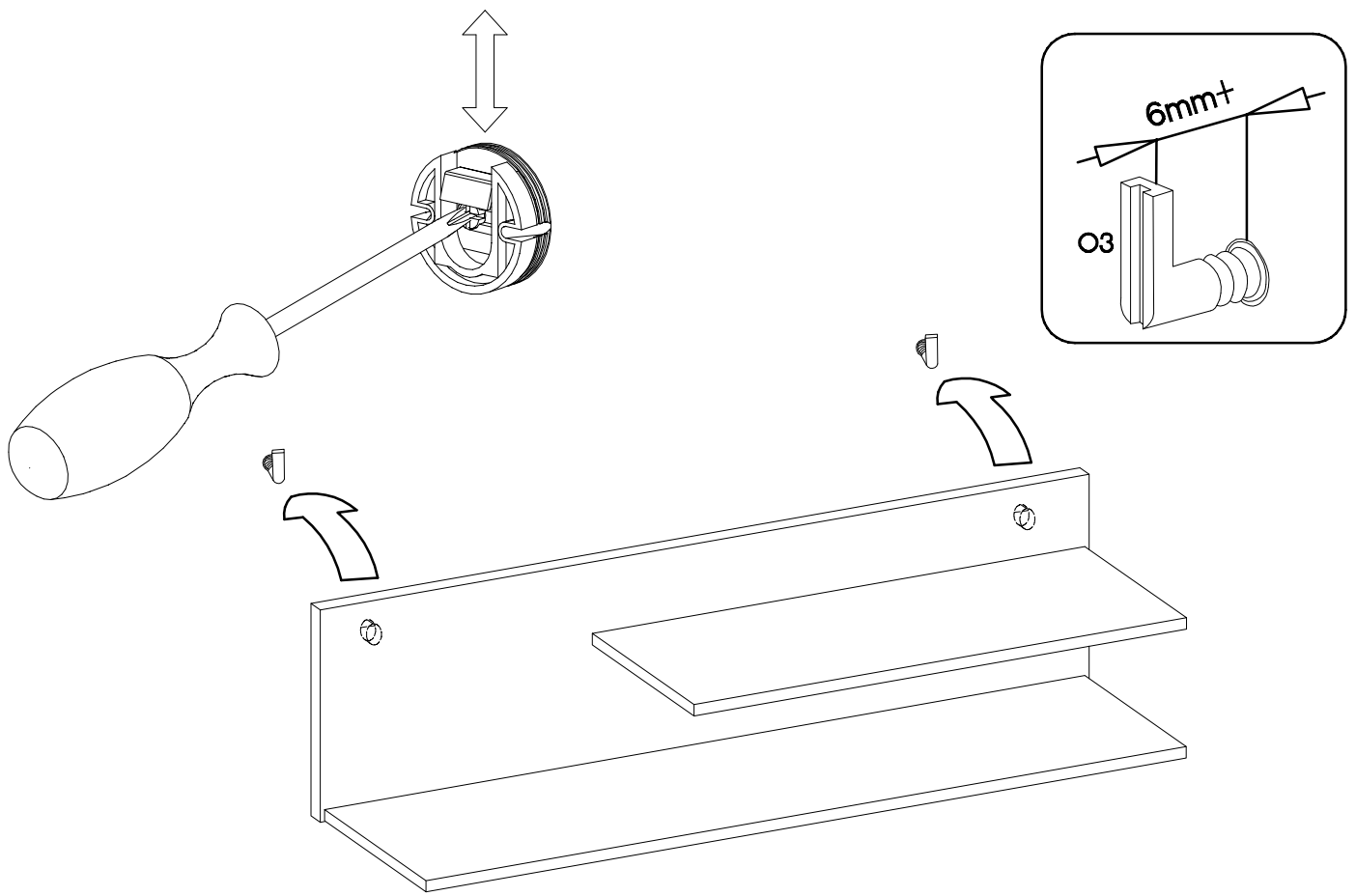
24



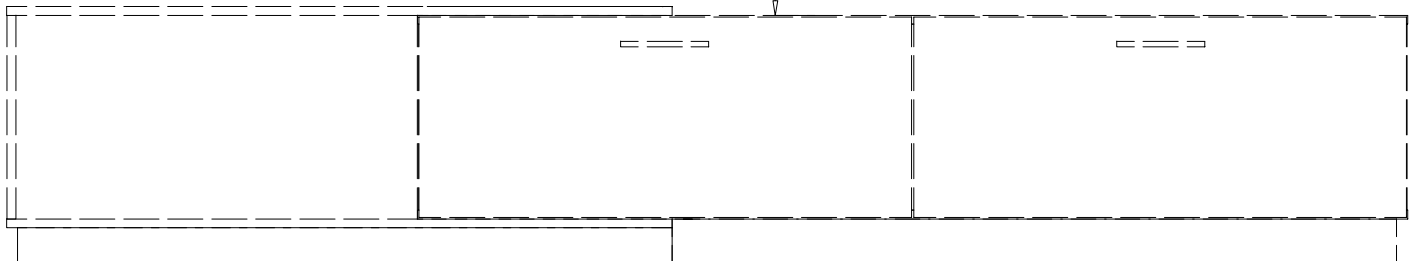
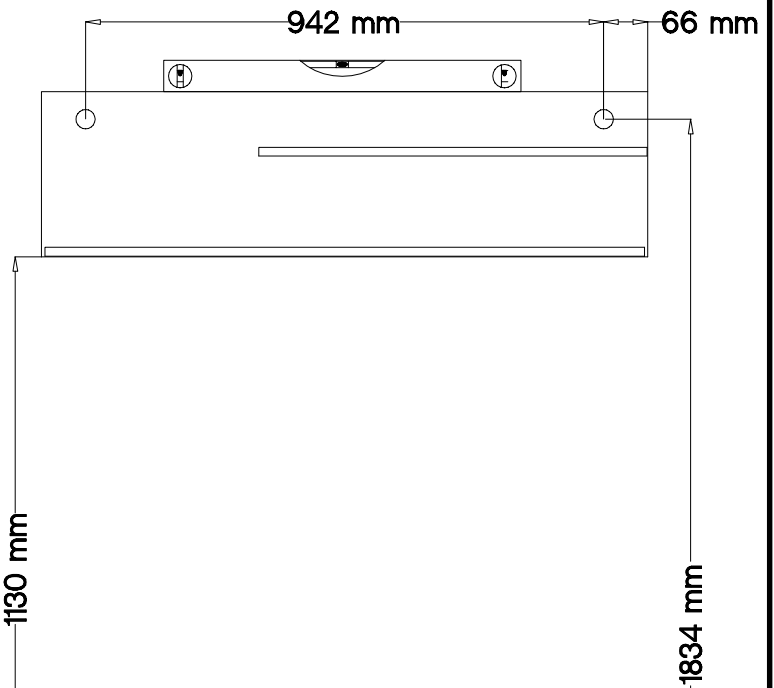
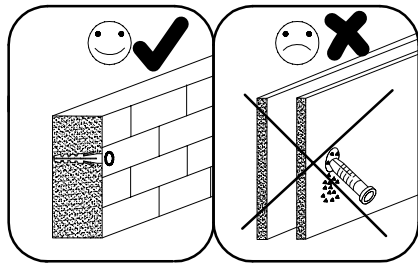
$\pm 10 \times 50 \text{mm}$  O7 2	$5/45 \text{mm}$  O3 2
---	---

25



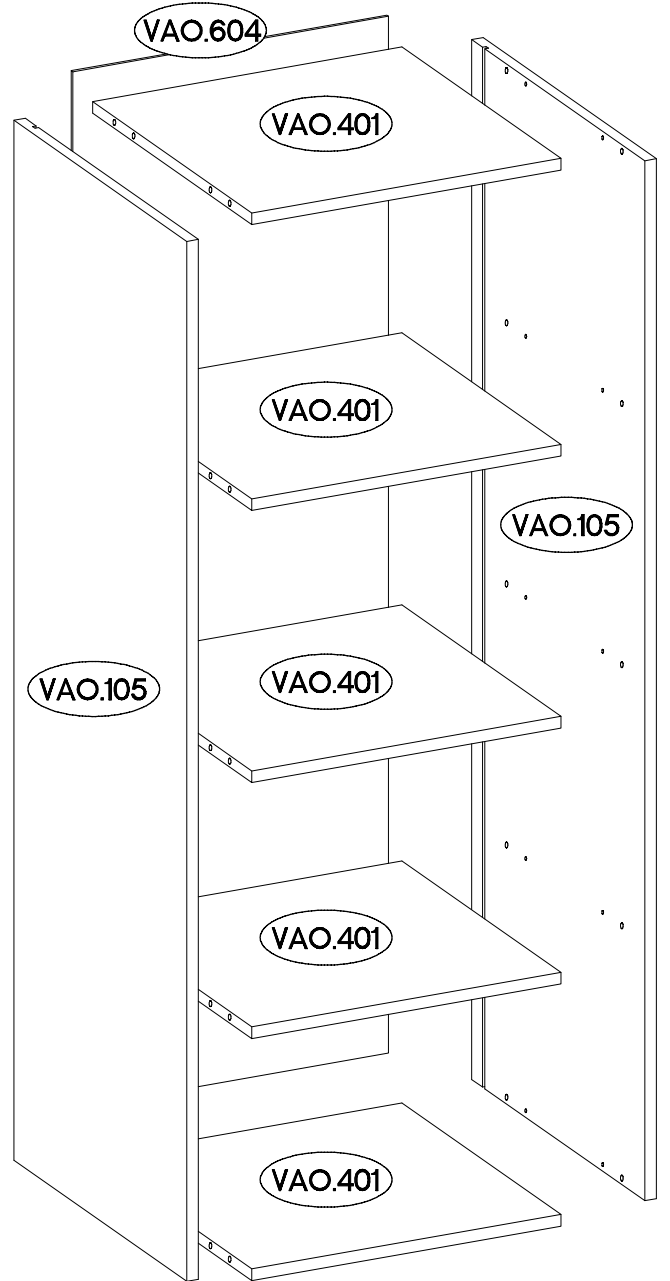
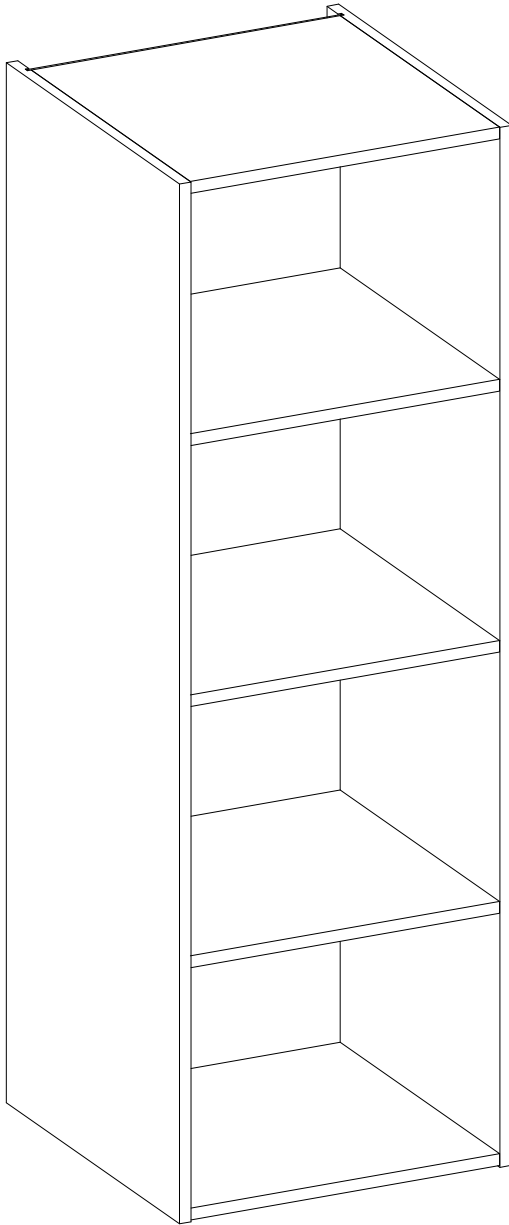


25

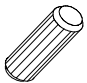

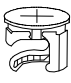
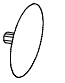

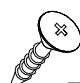
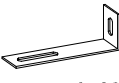


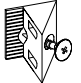


26 Typ 537




VAO.401 = max. 5kg

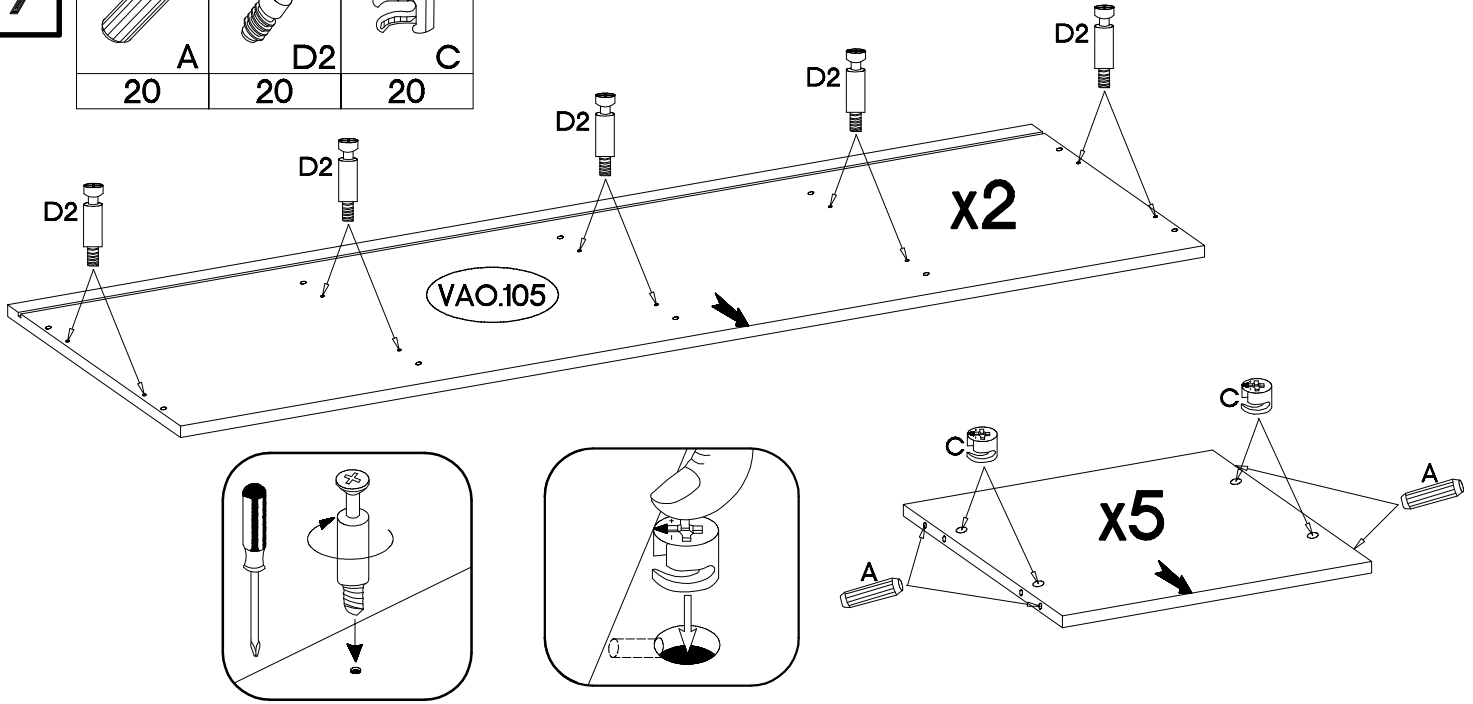


4B :

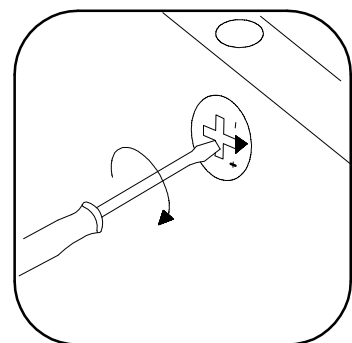
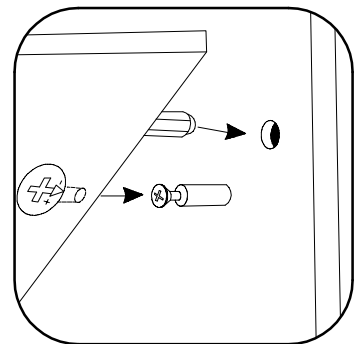
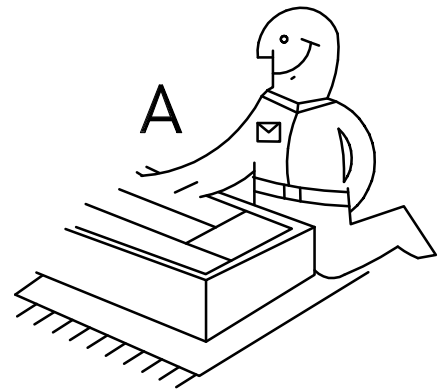
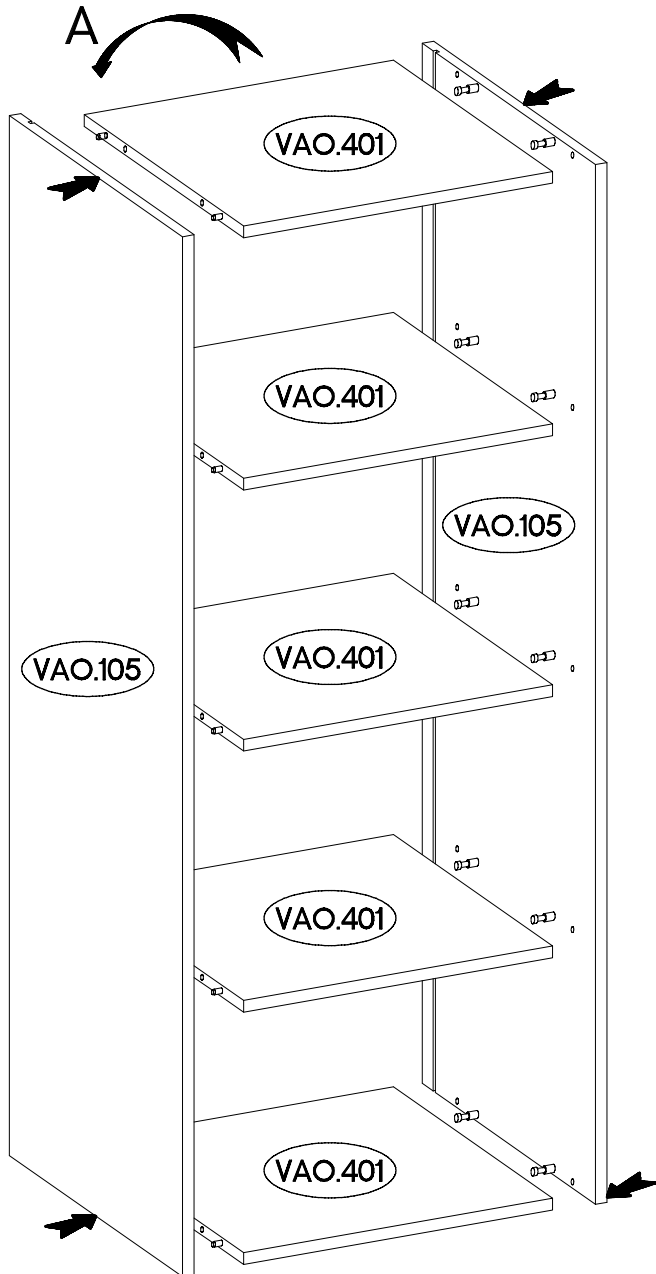
									
20	20	20	20	1	1	1	2	15	8

27

∅8x30mm 	L=20mm 	∅15/12mm 
A	D2	C
20	20	20

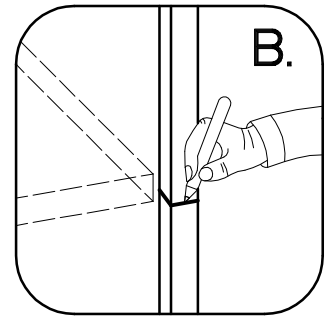
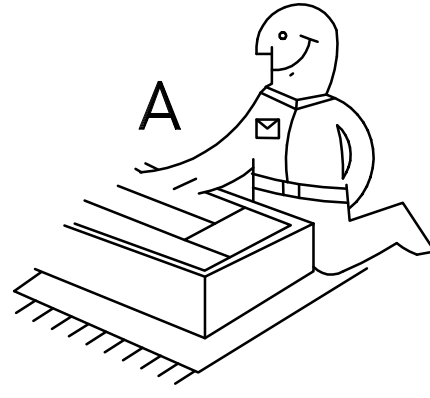
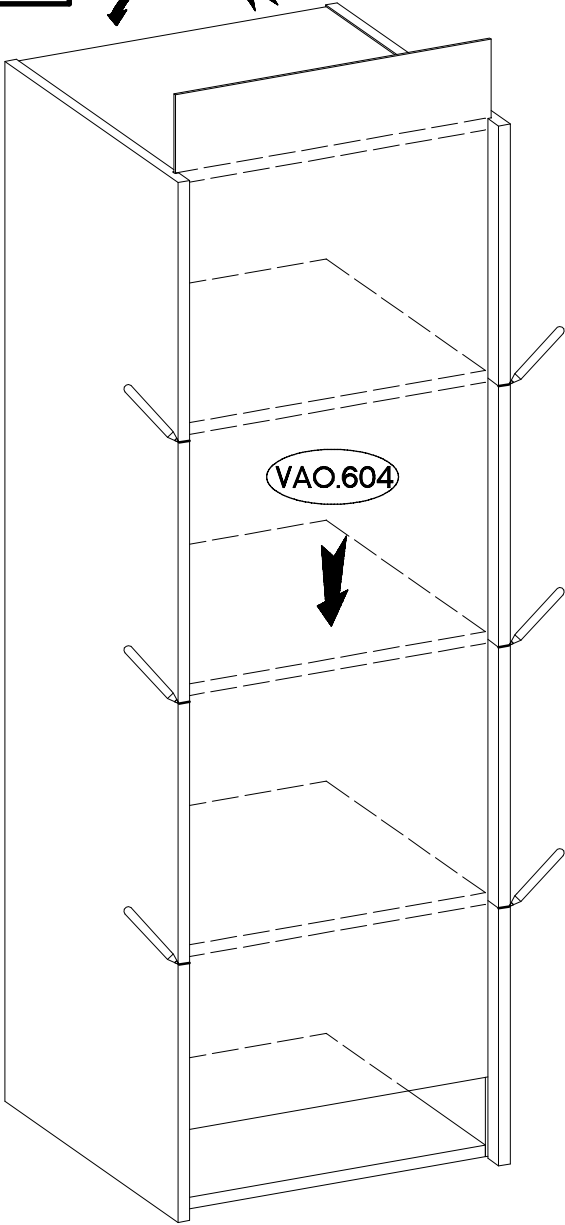


28

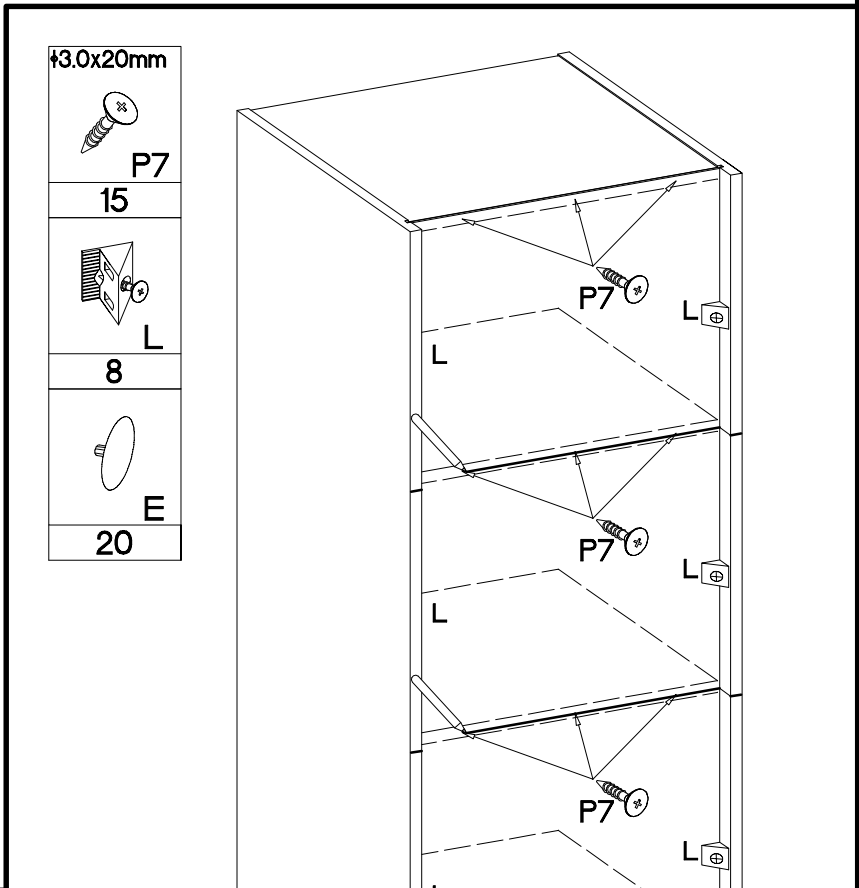


29

A

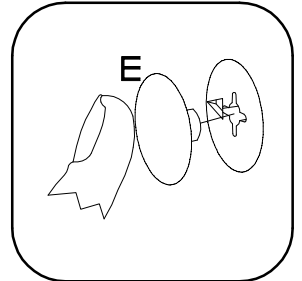
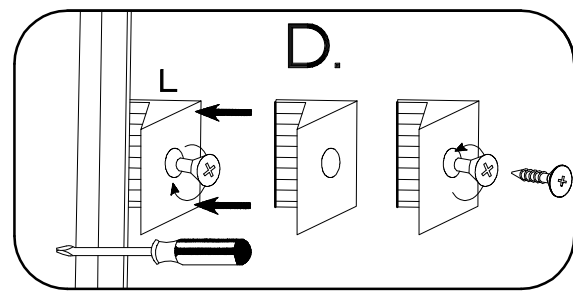
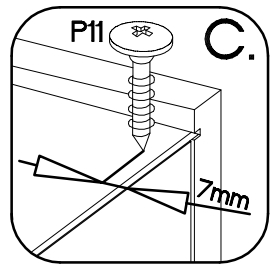
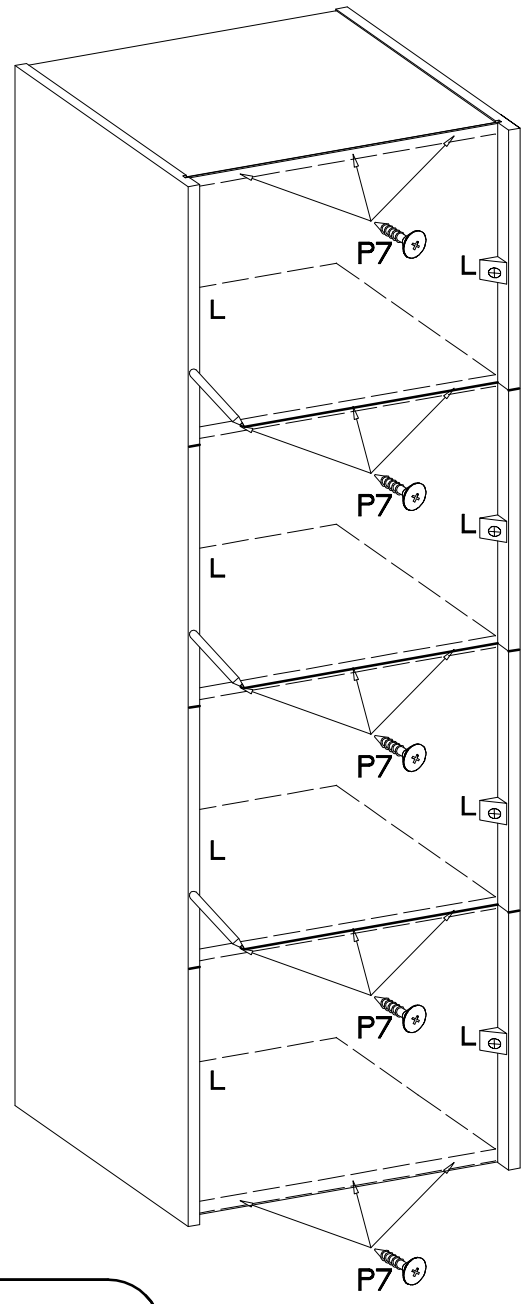
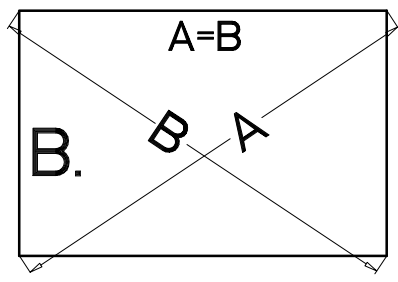
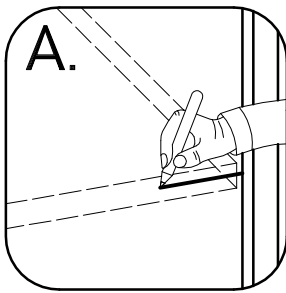


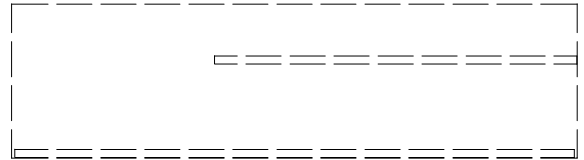
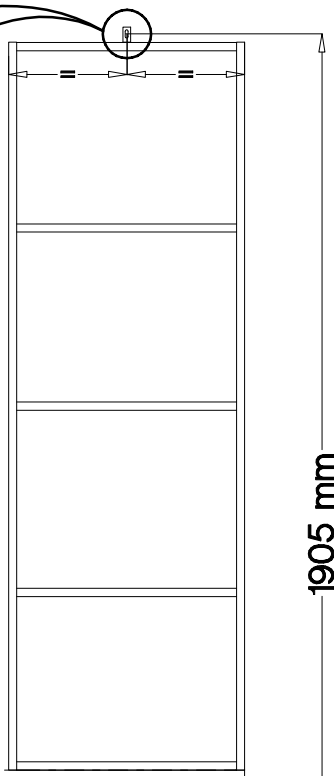
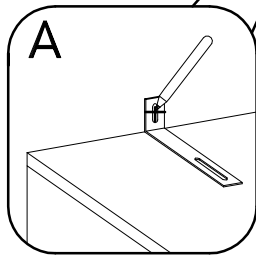
VAO.604



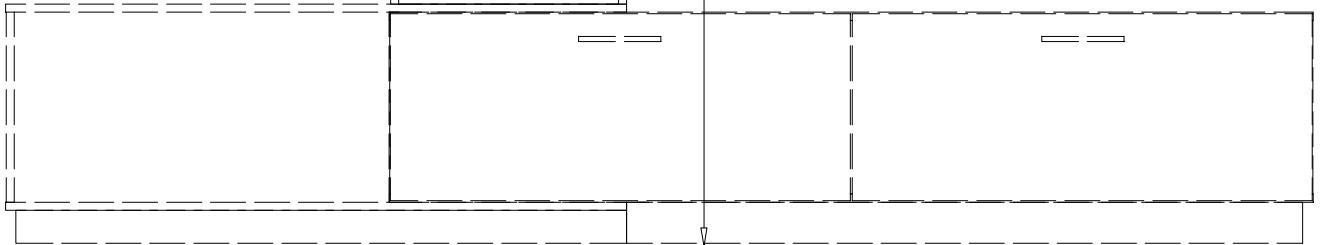
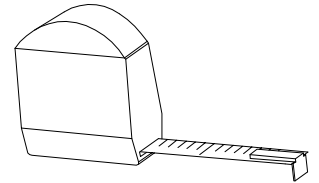
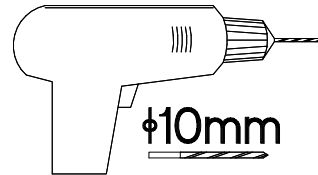
 P7
15
 L
8
 E
20

30

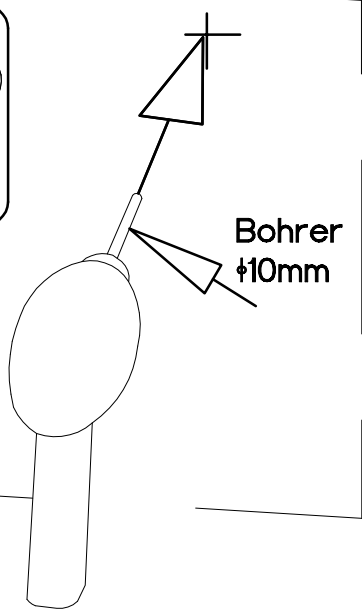
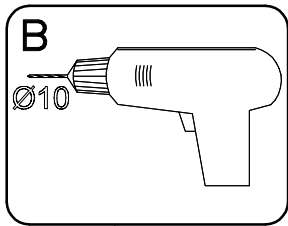




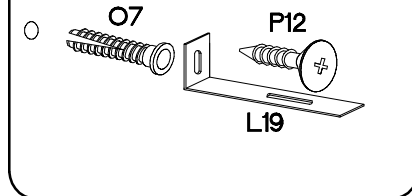
 $\phi 10 \times 50 \text{mm}$	 $\phi 5.0 \times 60 \text{mm}$	 L19	 $\phi 3.5 \times 13 \text{mm}$
O7	P12		P5
1	1	1	2



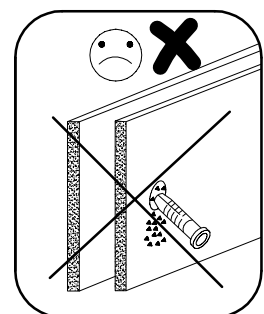
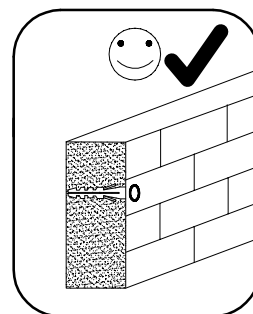
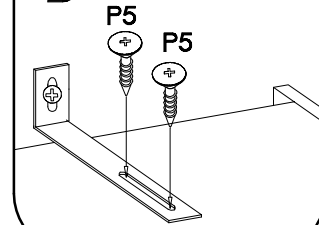
B



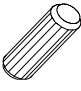


C

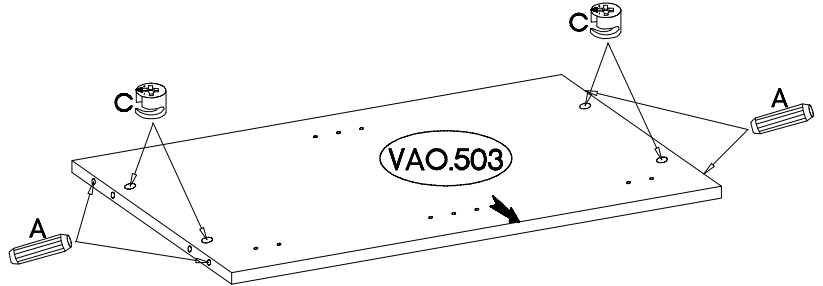
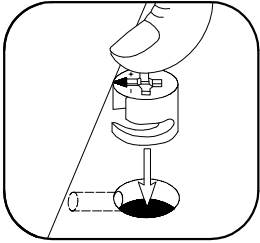
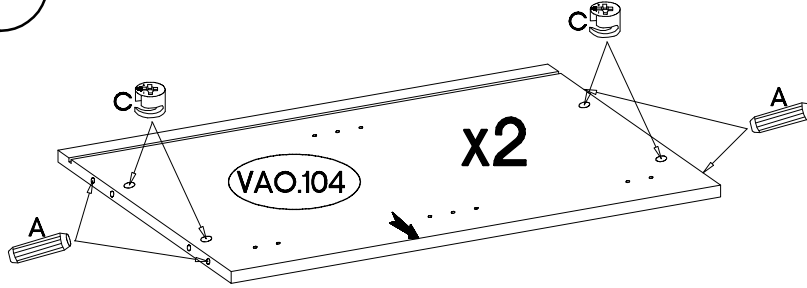
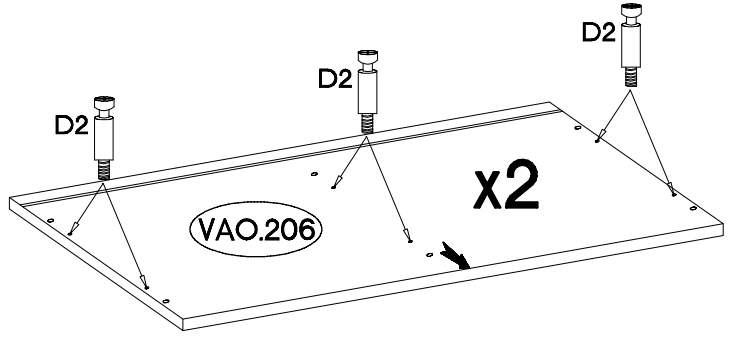
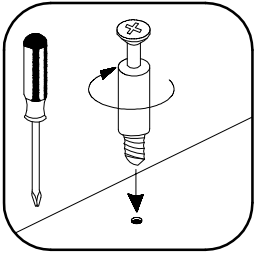


D

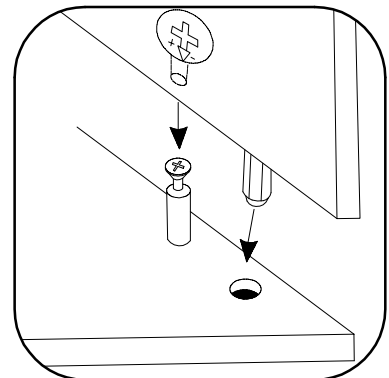
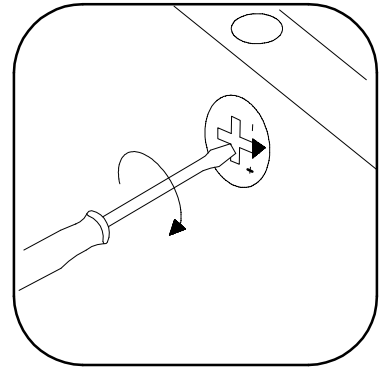
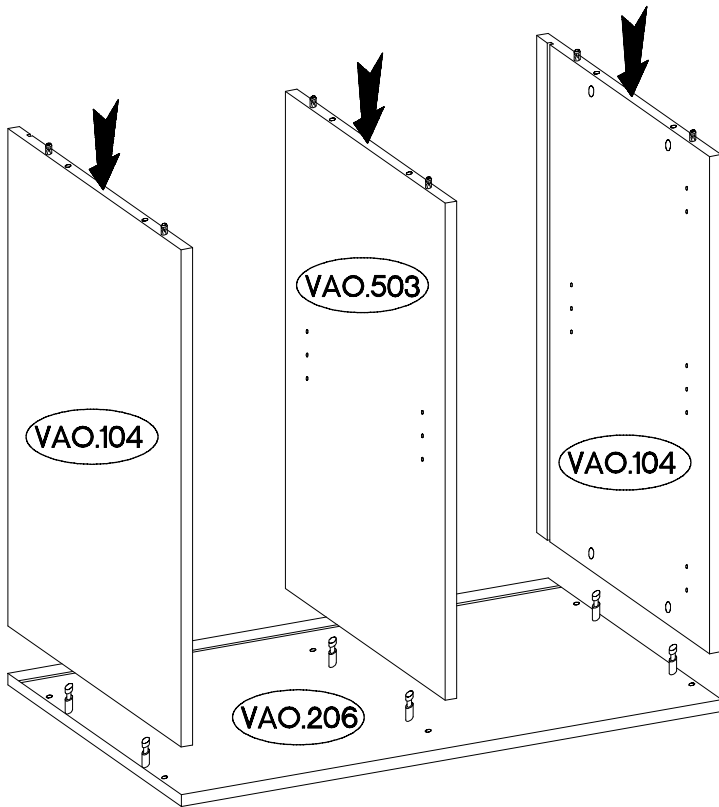


33

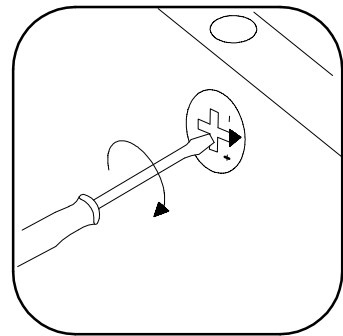
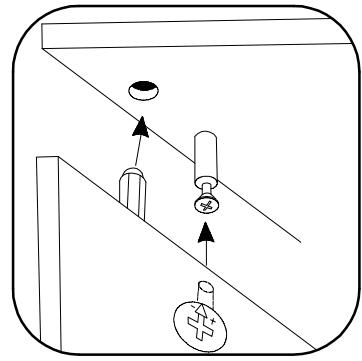
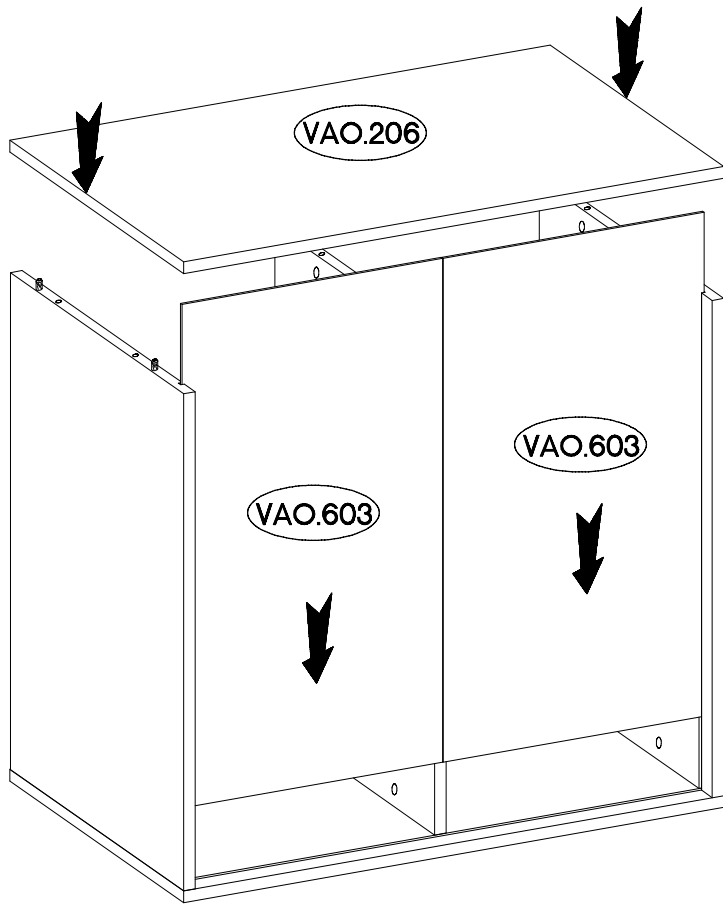
$\varnothing 8 \times 30 \text{mm}$  A 12	L=20mm  D2 12	$\varnothing 15/12 \text{mm}$  C 12
--	--	--



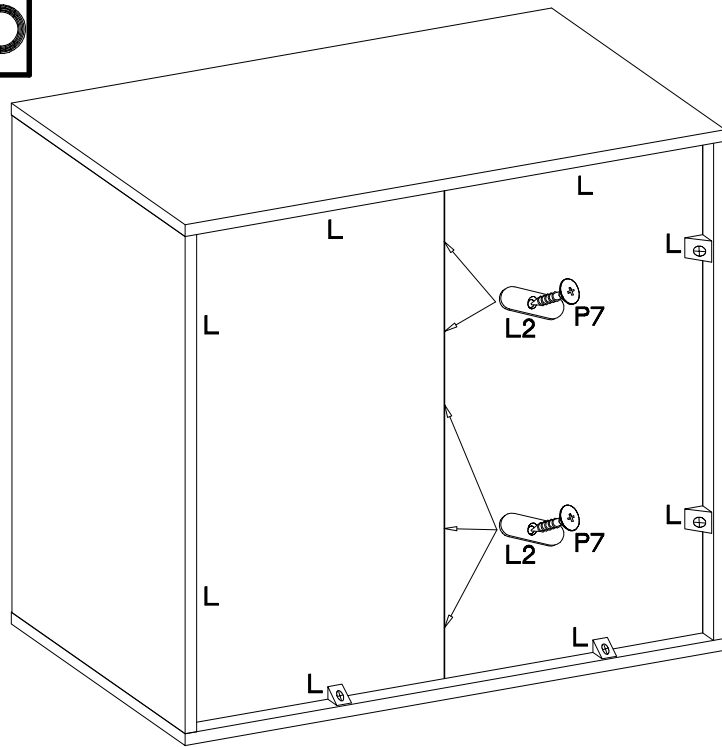
34



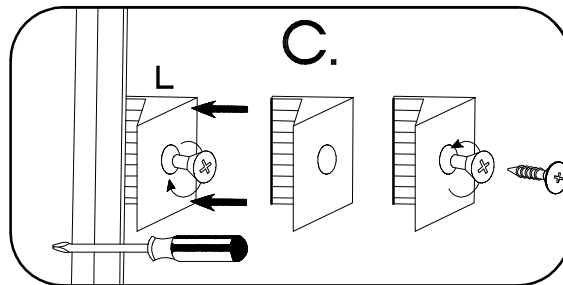
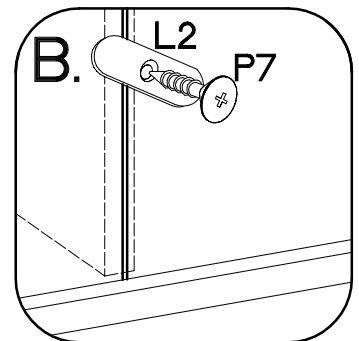
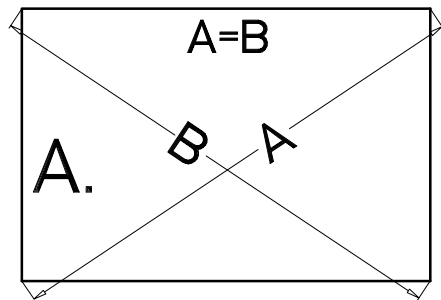
35



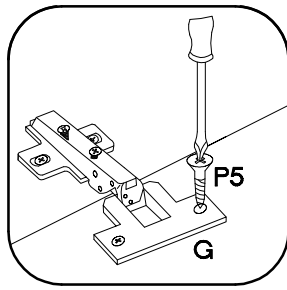
36



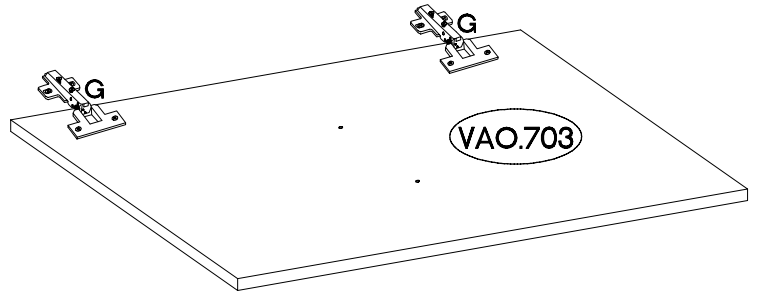
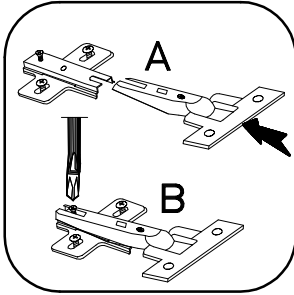
L	L2	P7
8	5	5



37

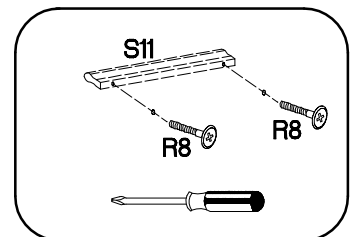
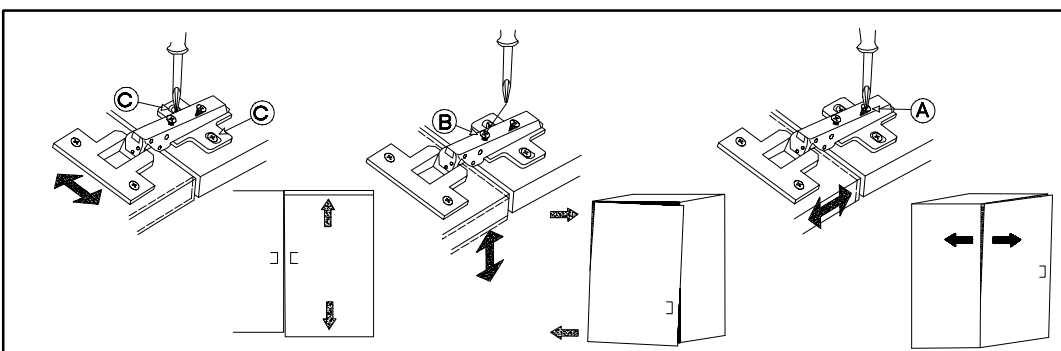
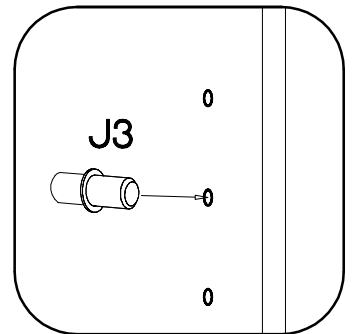
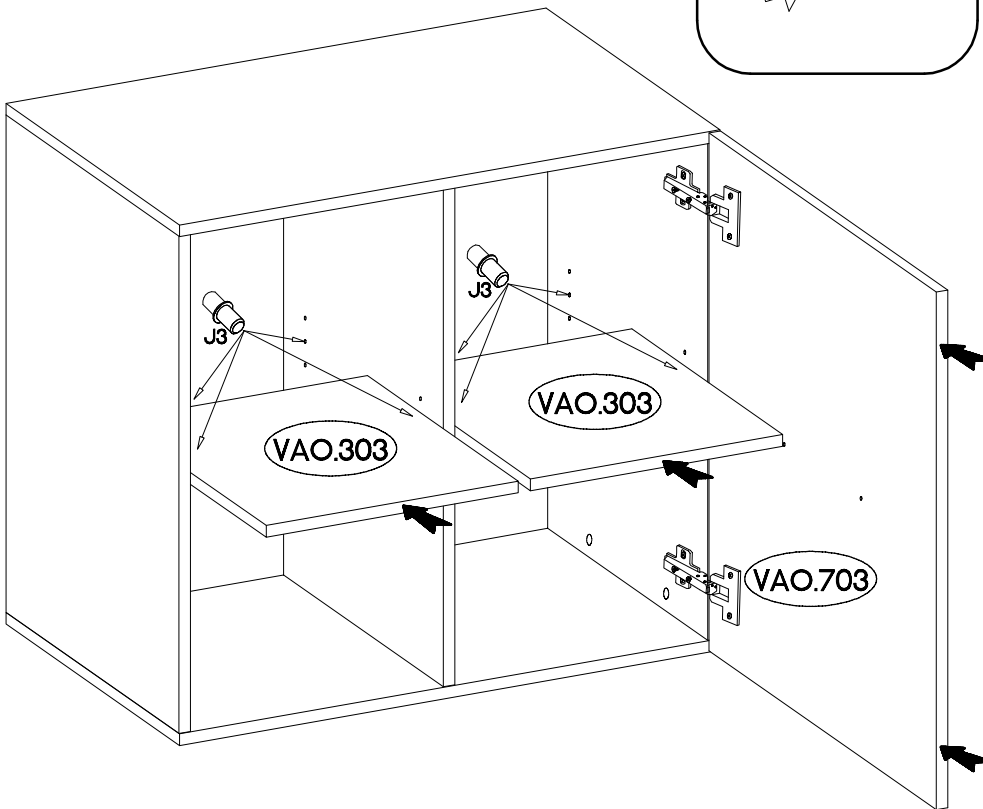
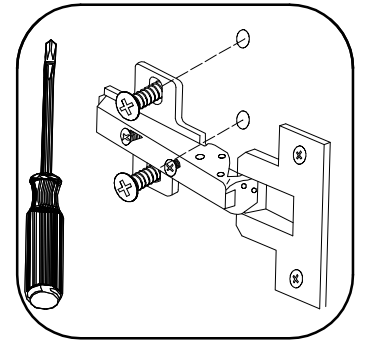
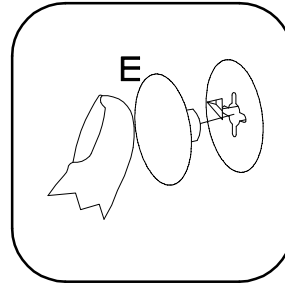


H=0 H	±35/0mm G	±3.5x13mm P5
2	2	4

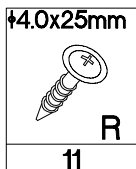
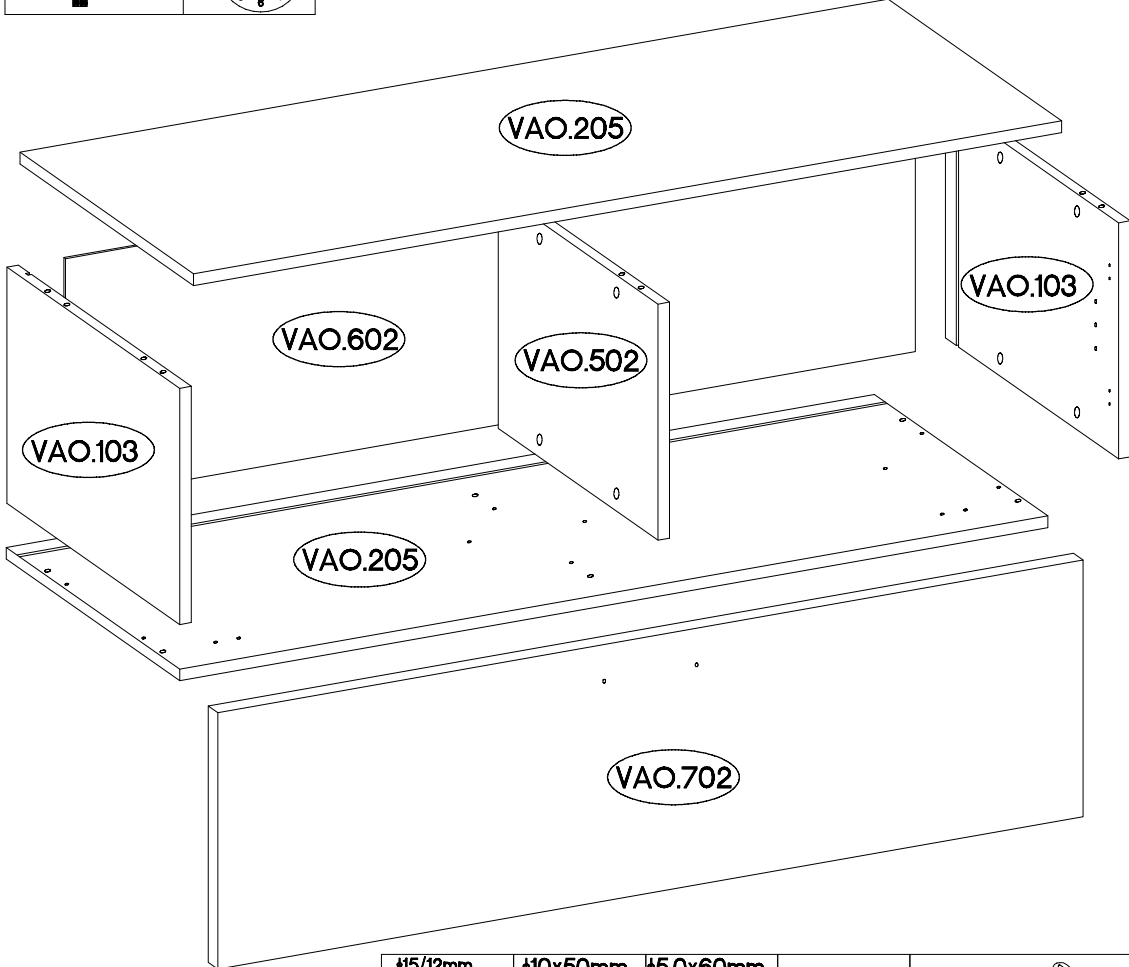
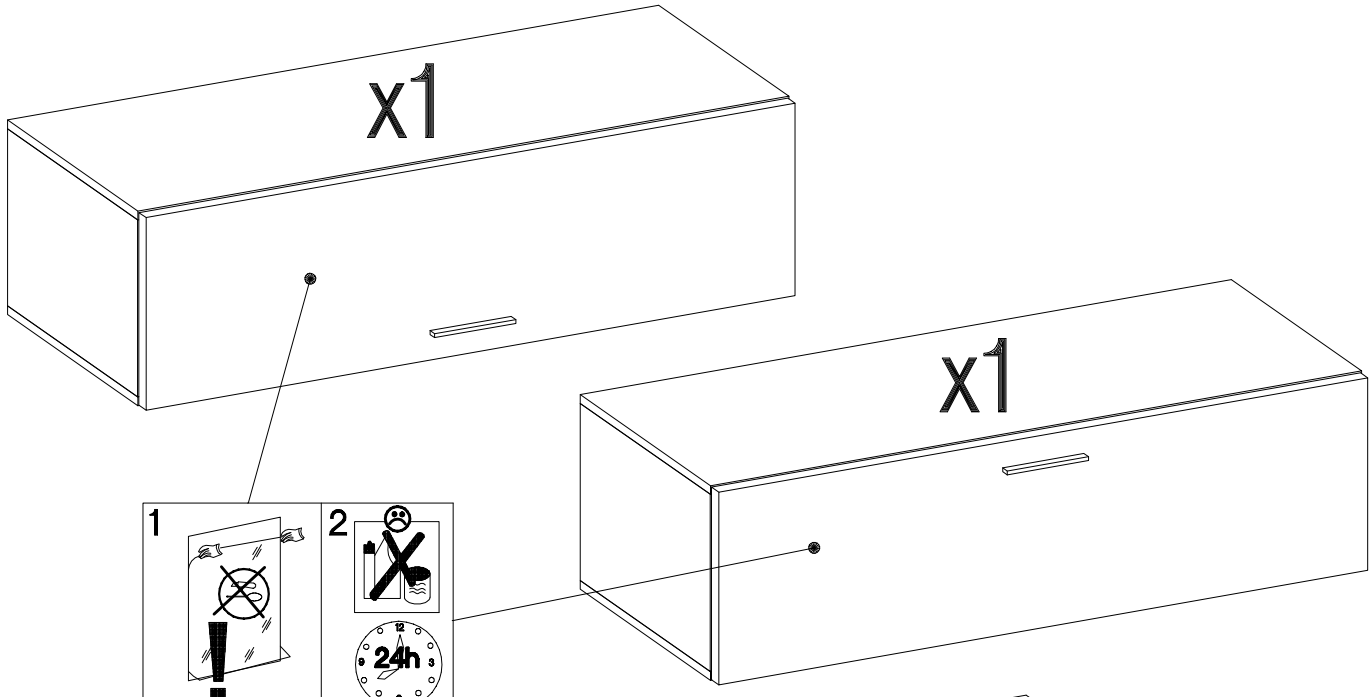





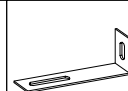
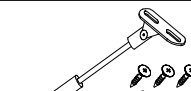

38

±4.0x27mm R1	L=128mm S11	 E	±5/16mm J3
2	1	12	8





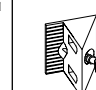


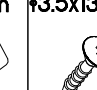
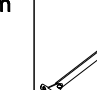



Typ 535

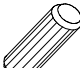




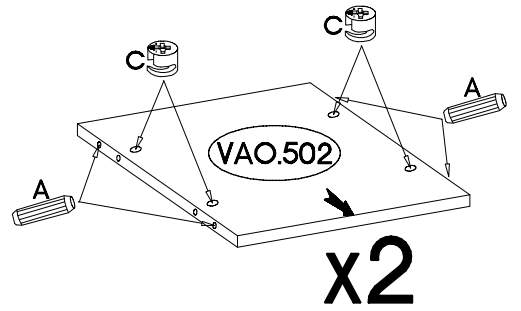
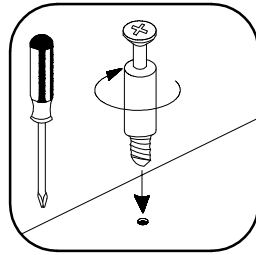
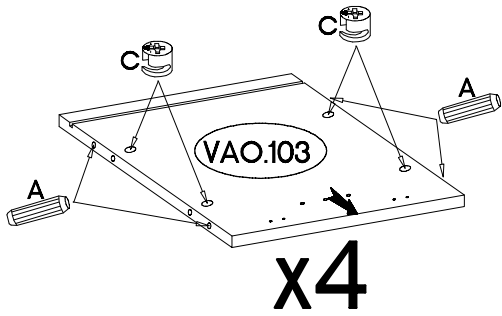
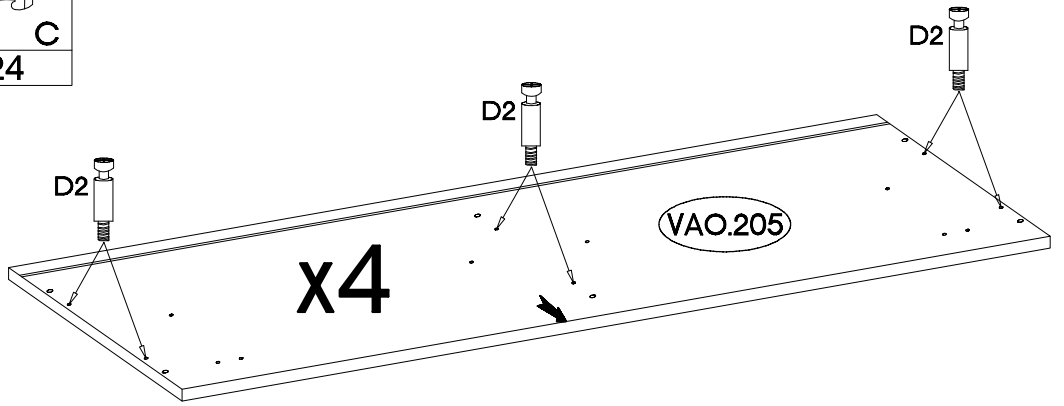
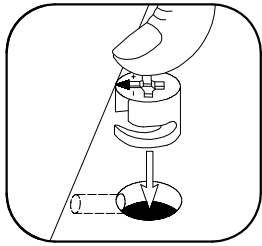
 C	 O7	 P12	 L19	 K24	 E
24	1	1	1	2	24

6B :

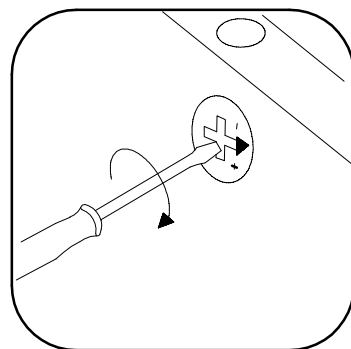
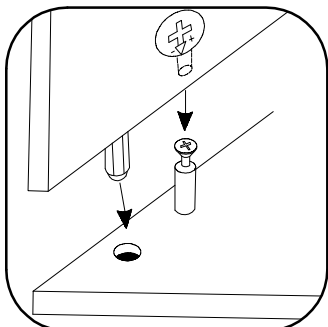
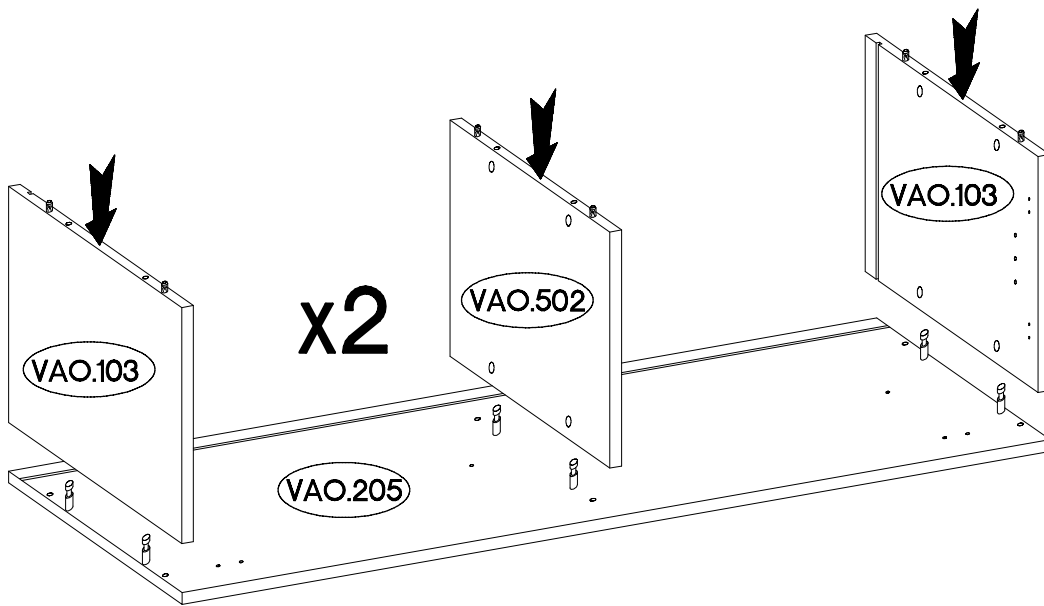
 A	 D2	 S11	 R8	 L	 H	 G	 P5	 K13	 P11
24	24	2	4	12	4	4	16	2	10

40

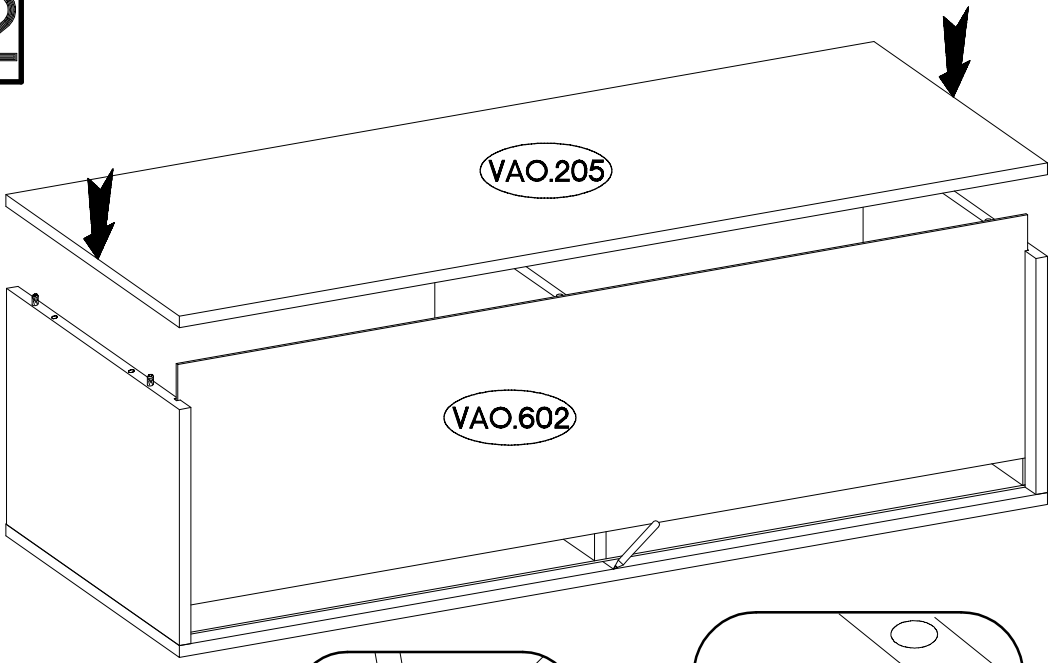
∅8x30mm	L=20mm	∅15/12mm
		
A	D2	C
24	24	24



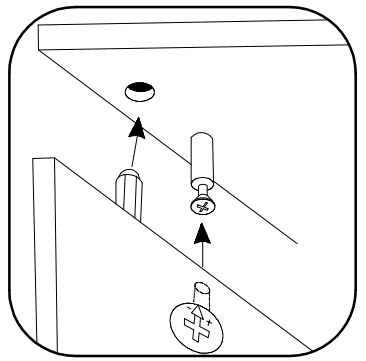
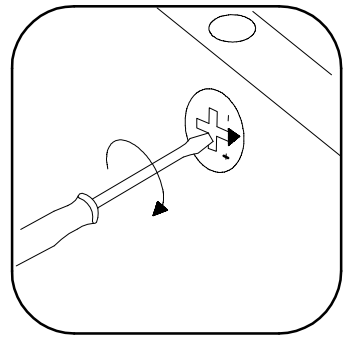
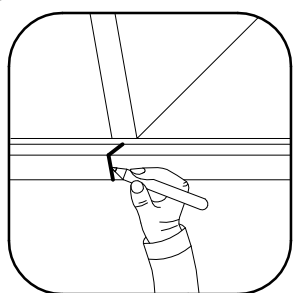
41



42

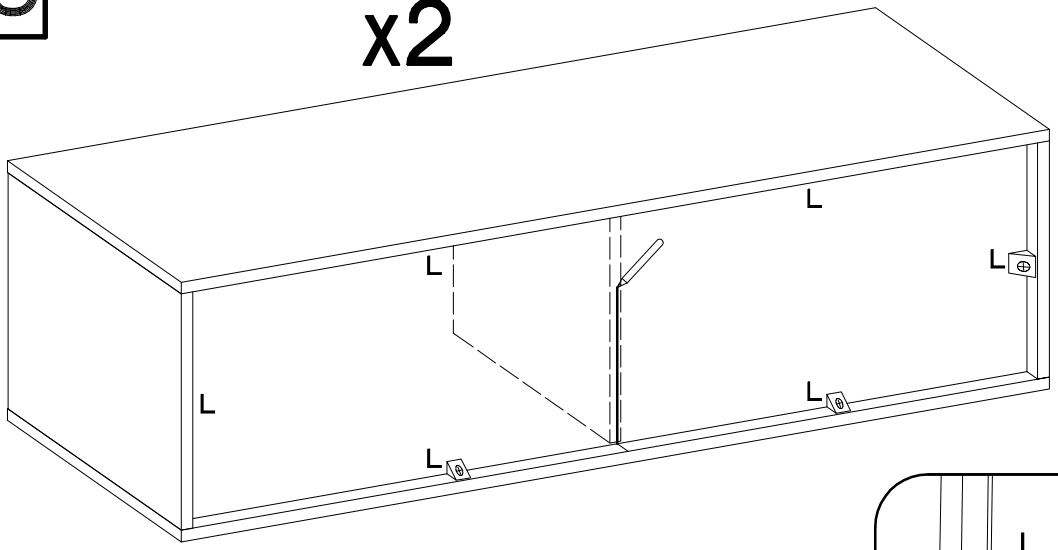



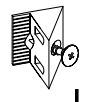
x2

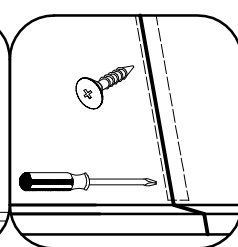
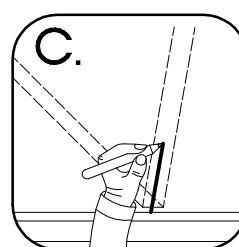
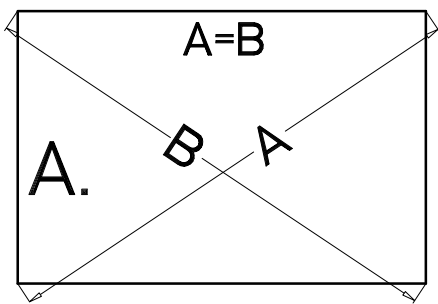
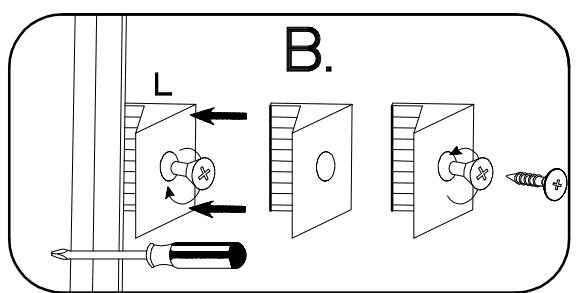


43


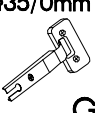

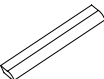

x2

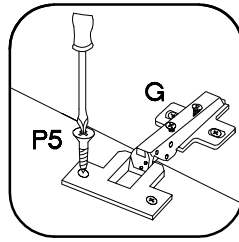
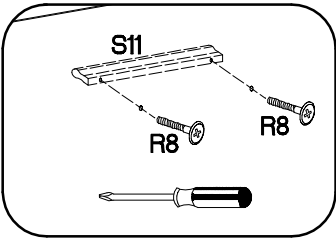
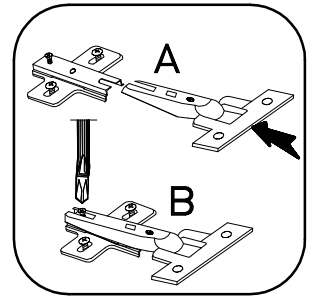


 #3.0x16mm P11 4	 L 12
--	--

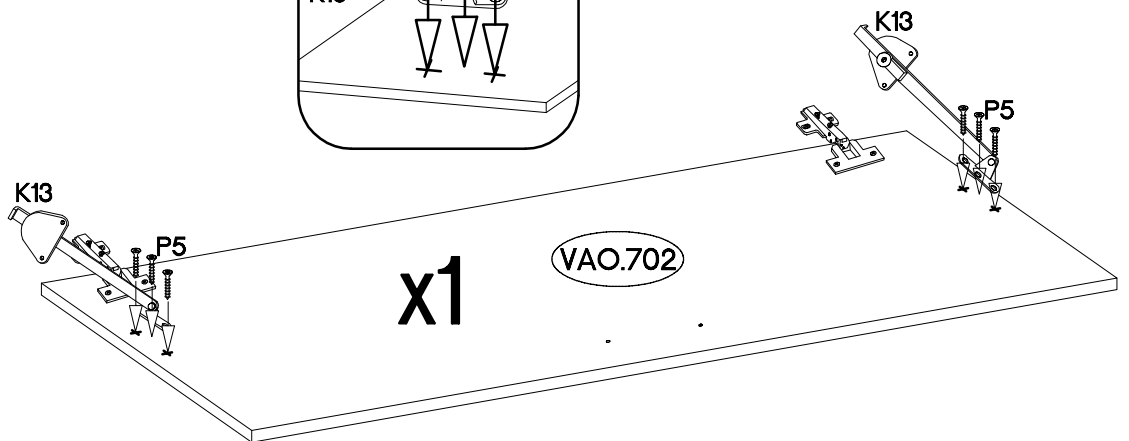
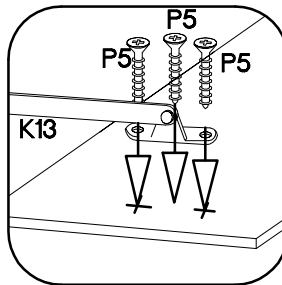
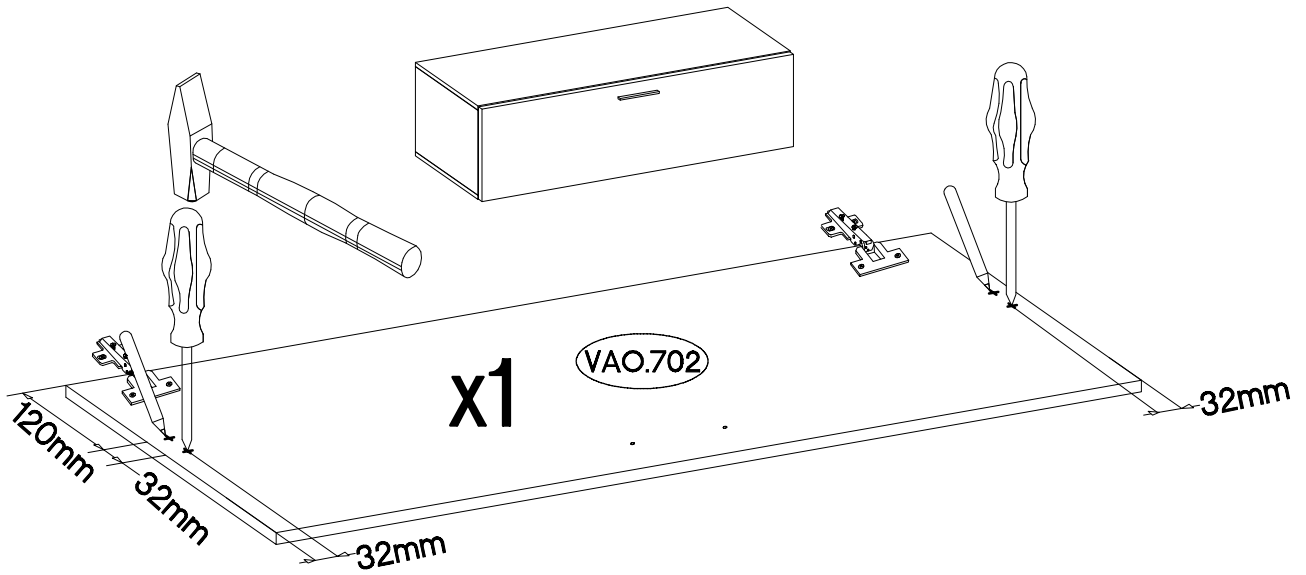




44

H=0  H	±35/0mm  G	±3.5x13mm  P5	L=128mm  S11	±4.0x27mm  R8
4	4	8	2	4

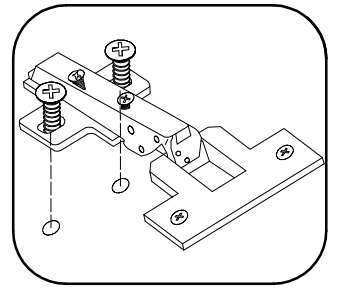
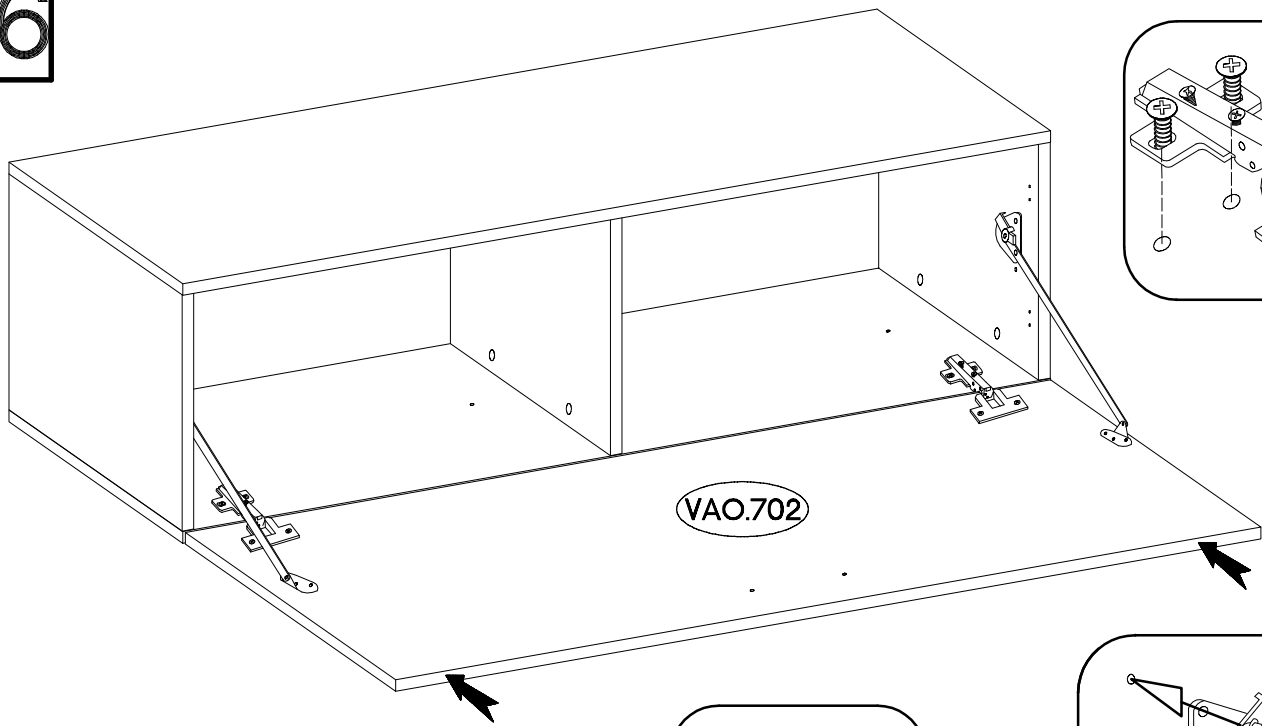


45

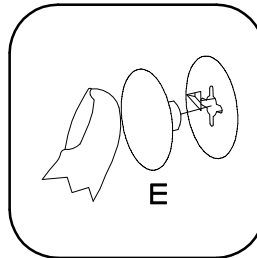
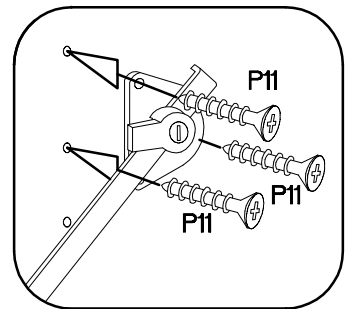




 K13	±3.5x13mm  P5
2	6

46

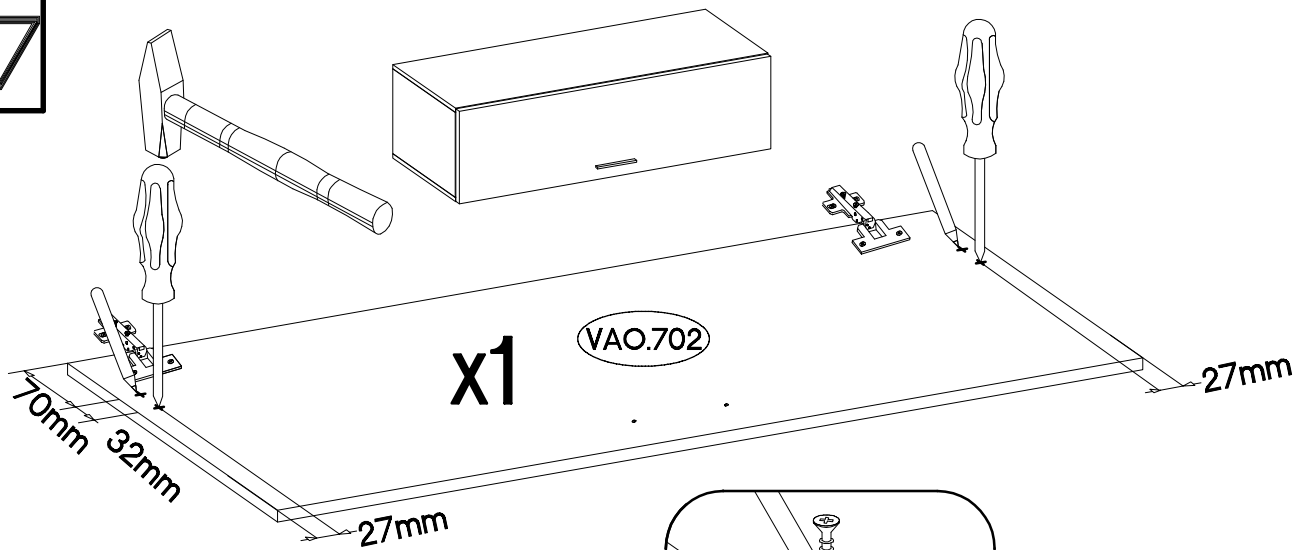


VAO.702



<p>±3.0x16mm</p>  <p>P11</p> <p>6</p>	 <p>E</p> <p>12</p>
--	--

47



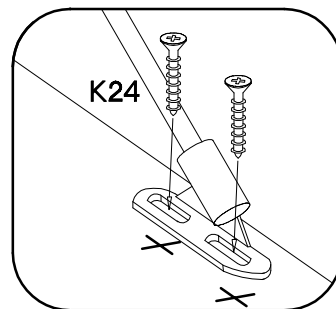
VAO.702

x1

70mm 32mm

27mm

27mm



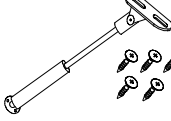
K24

K24

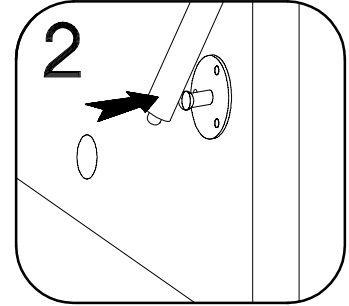
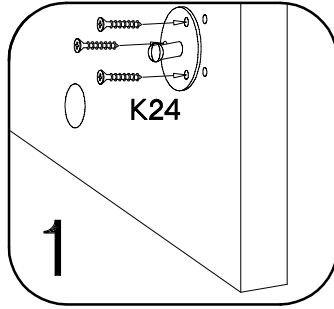
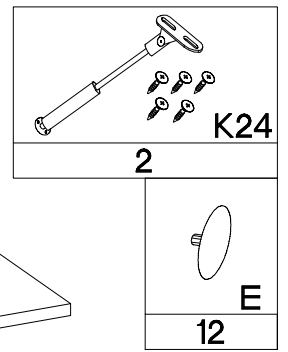
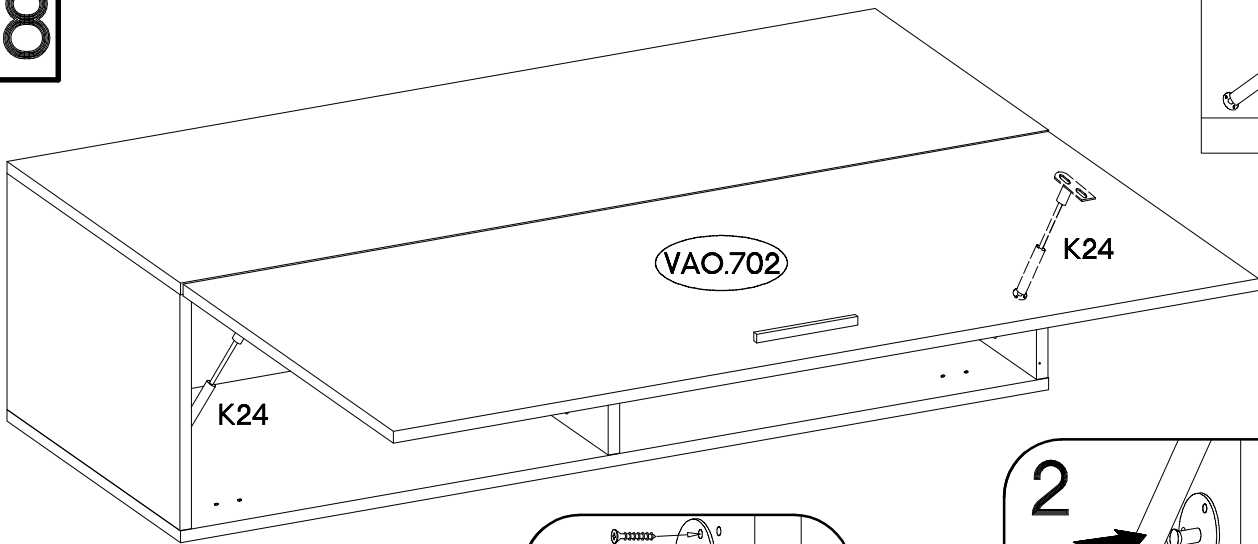
K24

VAO.702

x1

 <p>K24</p> <p>2</p>
--

48

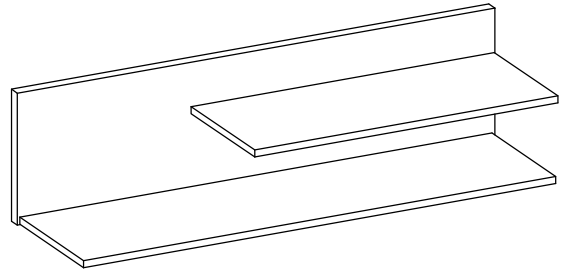
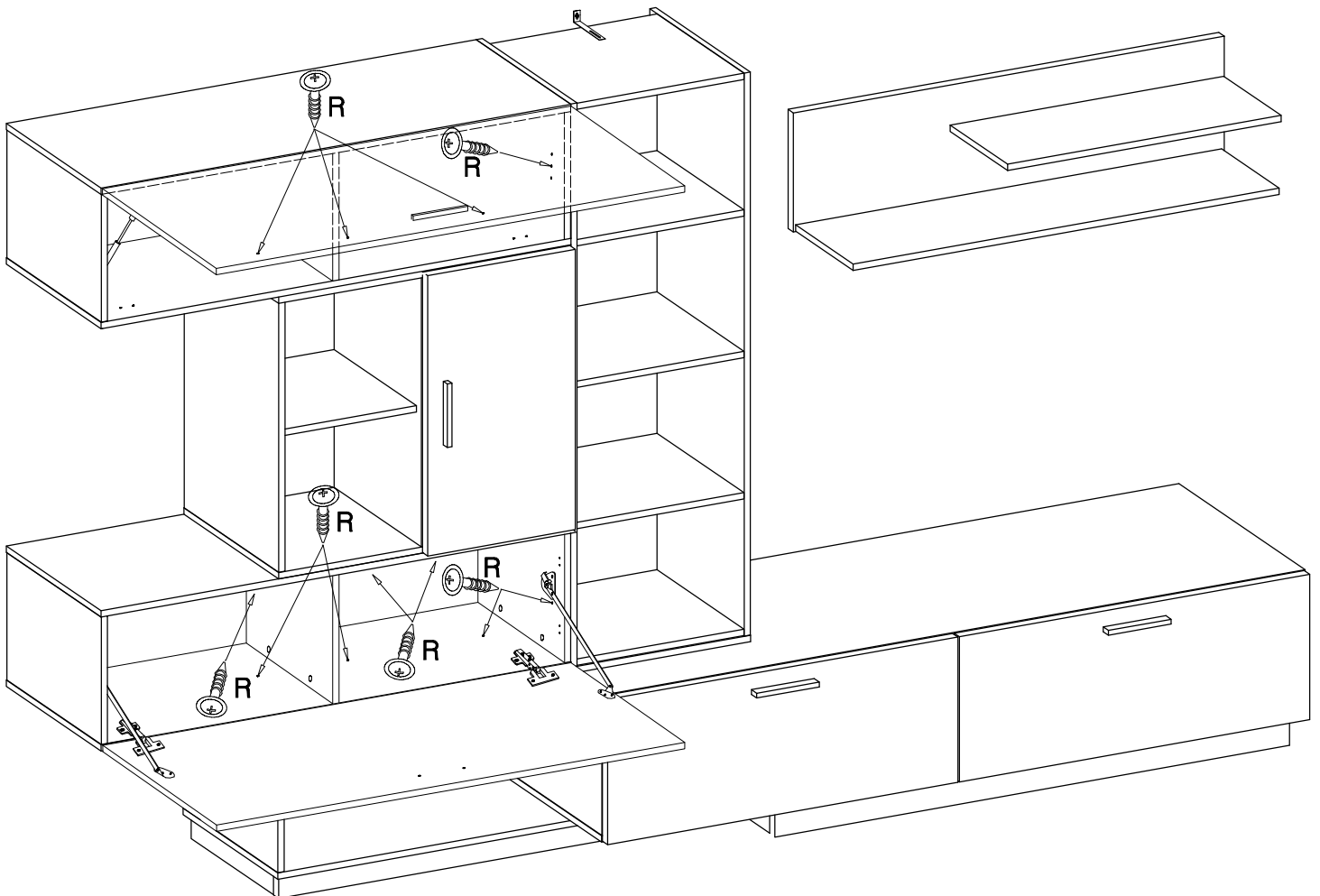


49

4.0x25mm



11



 ±3.5x13mm P5 2	 ±10x50mm O7 1	 ±5.0x60mm P12 1	 L19 1
--	---------------------------------------	---	---------------------

