



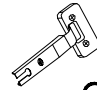


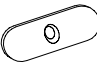
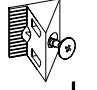

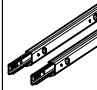
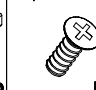



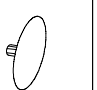
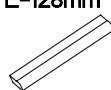

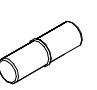



 T3 7	$\pm 4.0 \times 16 \text{mm}$  P1 14	$\pm 15 \times 5 \text{mm}$  F4 8	 O7 2	$\pm 10 \times 50 \text{mm}$ O7 2	 L9 2	$\pm 35 / 0 \text{mm}$  G 4	H=0  H 4	$\pm 3.5 \times 13 \text{mm}$  P5 10	 L2 20	 L 16	$\pm 3.0 \times 20 \text{mm}$  P7 20	$27 / 246 \text{mm}$  I3 1	$\pm 6.3 \times 13 \text{mm}$  M2 4
$\pm 15 / 12 \text{mm}$  C 24	$\pm 8 \times 30 \text{mm}$  A 42	L=20mm  D2 24	 E 20	L=128mm  S11 3	$\pm 4.0 \times 27 \text{mm}$  R1 6	 J3 16	Lein  O11 1	$\pm 6 \times 42 \text{mm}$  B2 2	M4x9mm  U1 2				



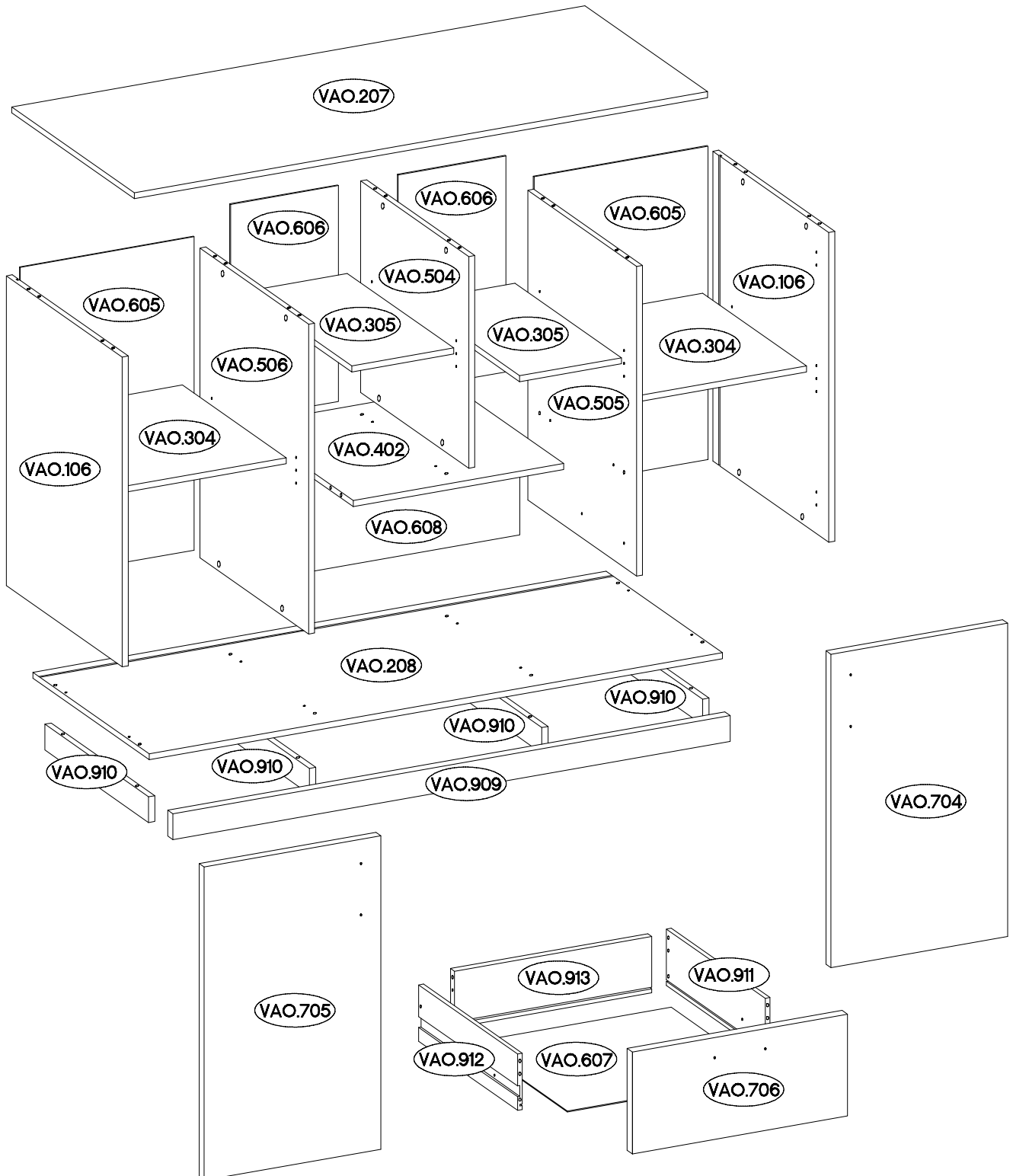
ISM-VAO-02

Coli	Typ	Ersatzteil Nummer	Dimension	Coli	Typ	Ersatzteil Nummer	Dimension		
1/3		VAO.106 x2	770x352x16	2/3		VAO.207	1447x372x16		
		VAO.304 x2	425x315x16			VAO.208	1447x353x16		
		VAO.402	530x329x16			VAO.305 x2	256x315x16		
		VAO.504	526x328x16			VAO.909	1407x64x16		
		VAO.505	770x330x16			VAO.911	300x140x12		
		VAO.506	770x330x16			VAO.912	300x140x12		
		VAO.605 x2	779x437x2,5			VAO.913	498x140x12		
		VAO.606 x2	537x272x2,5			Coli	Typ	Ersatzteil Nummer	Dimension
		VAO.608	240x544x2,5			3/3		VAO.704	780x446x16
		VAO.607	296x508x2,5					VAO.705	780x446x16
VAO.910 x4	64x315x16	VAO.706	543x254x16						


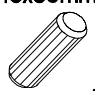

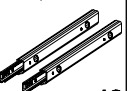


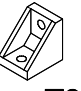


VAO.207 = max. 10kg

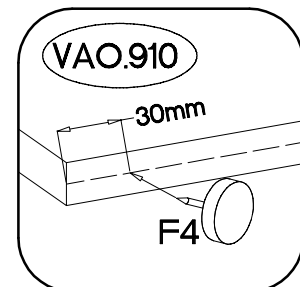
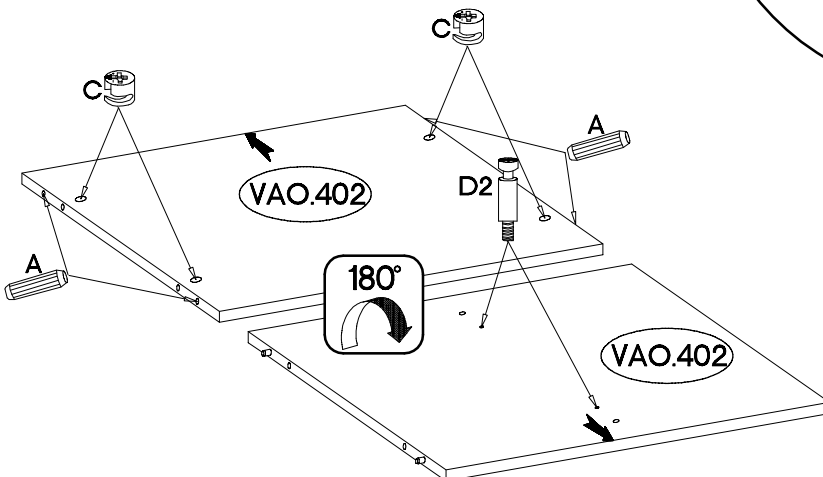
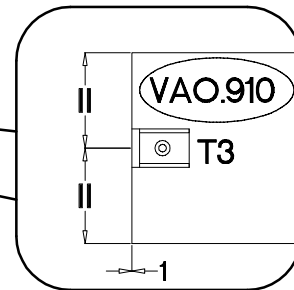
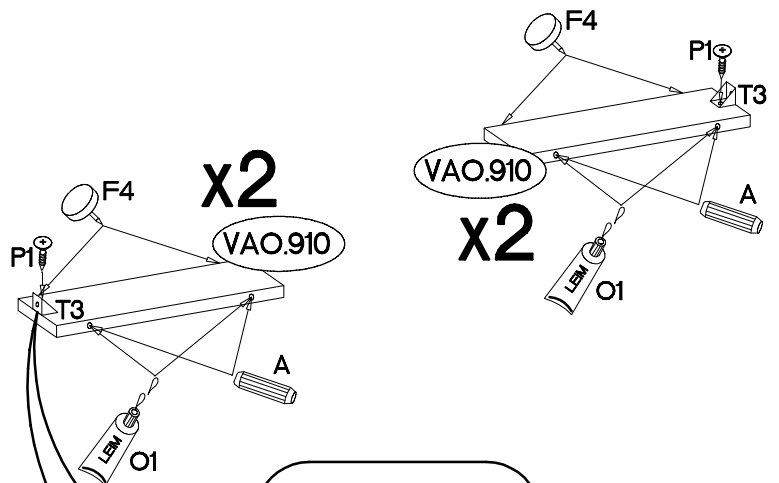
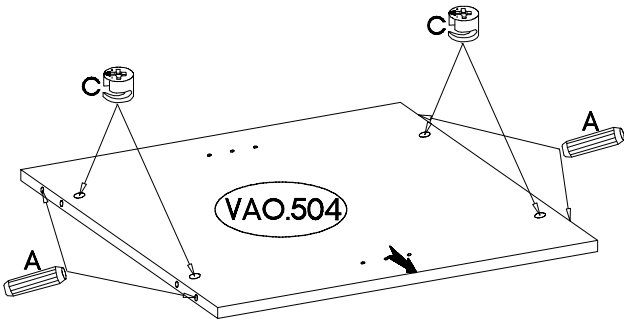
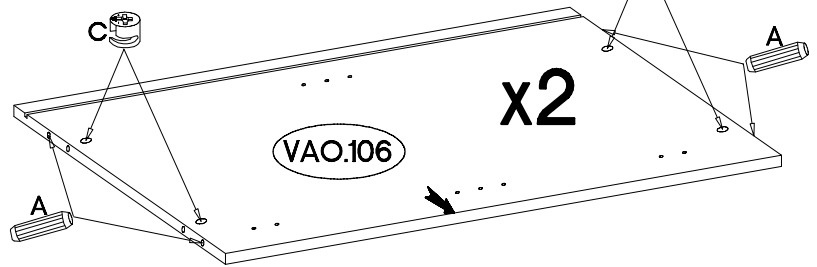
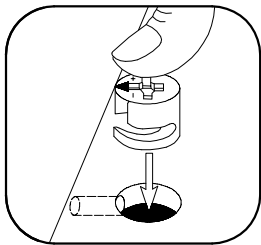
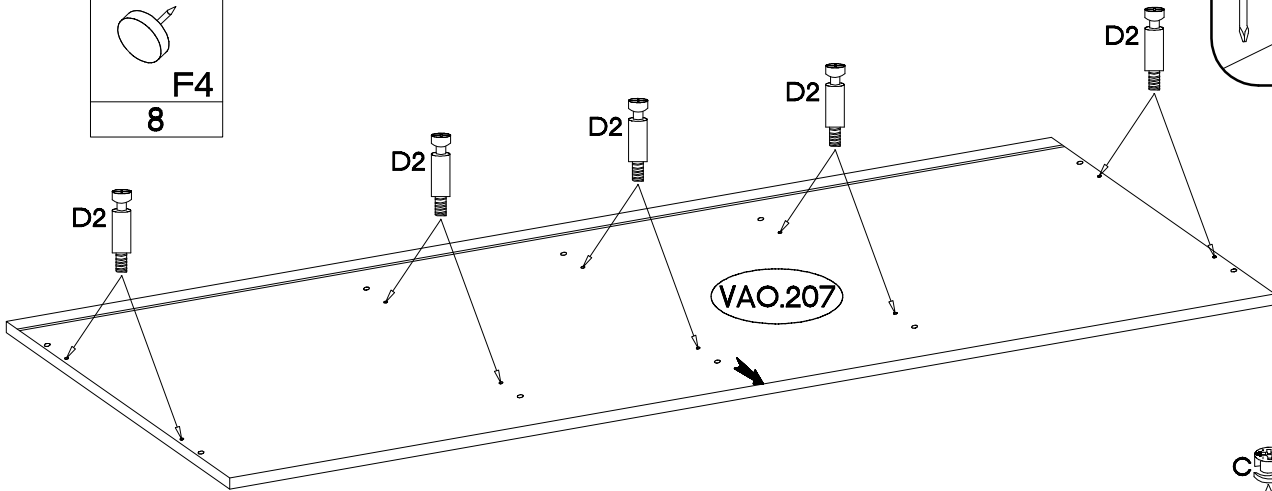
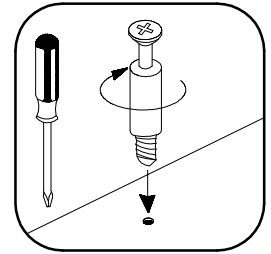
VAO.304 = max. 5kg

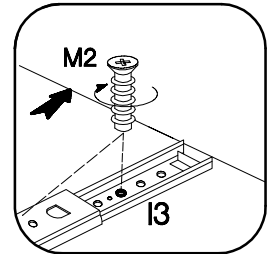
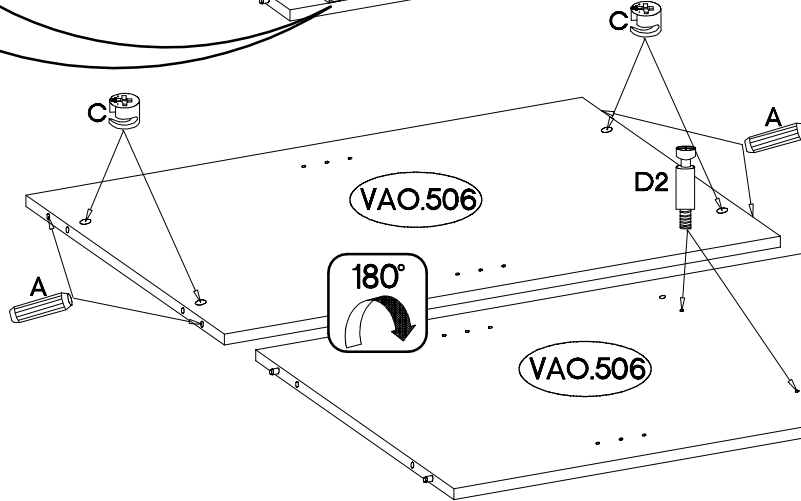
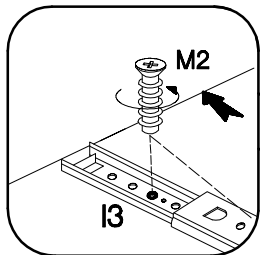
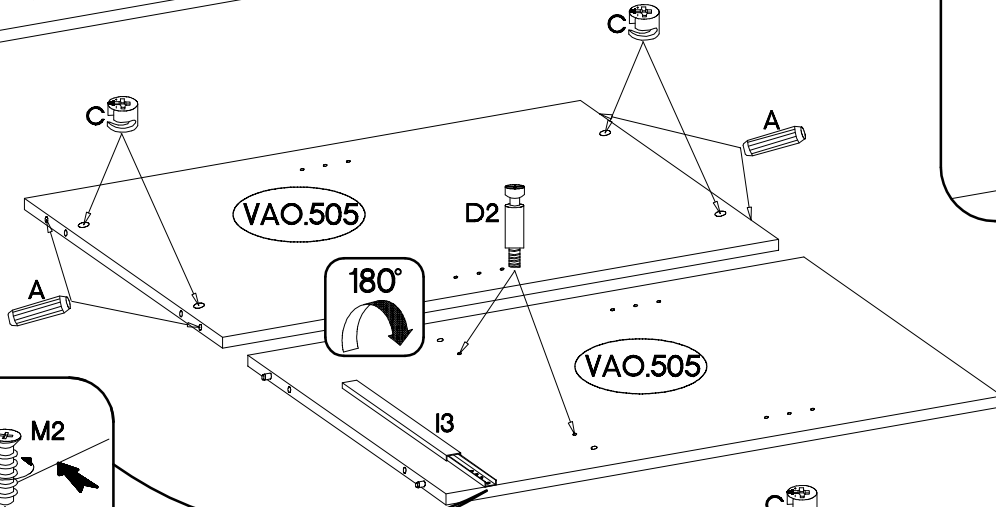
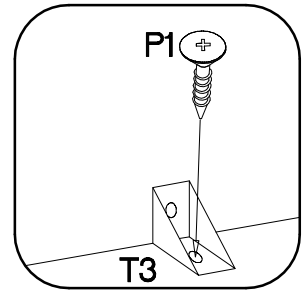
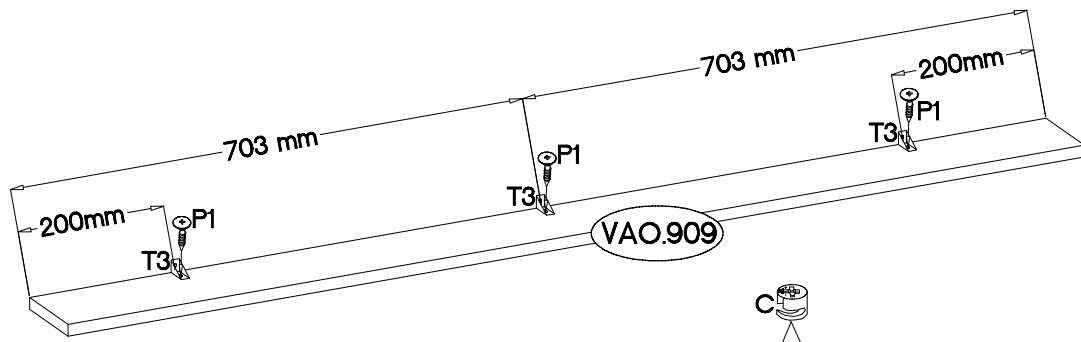
VAO.402



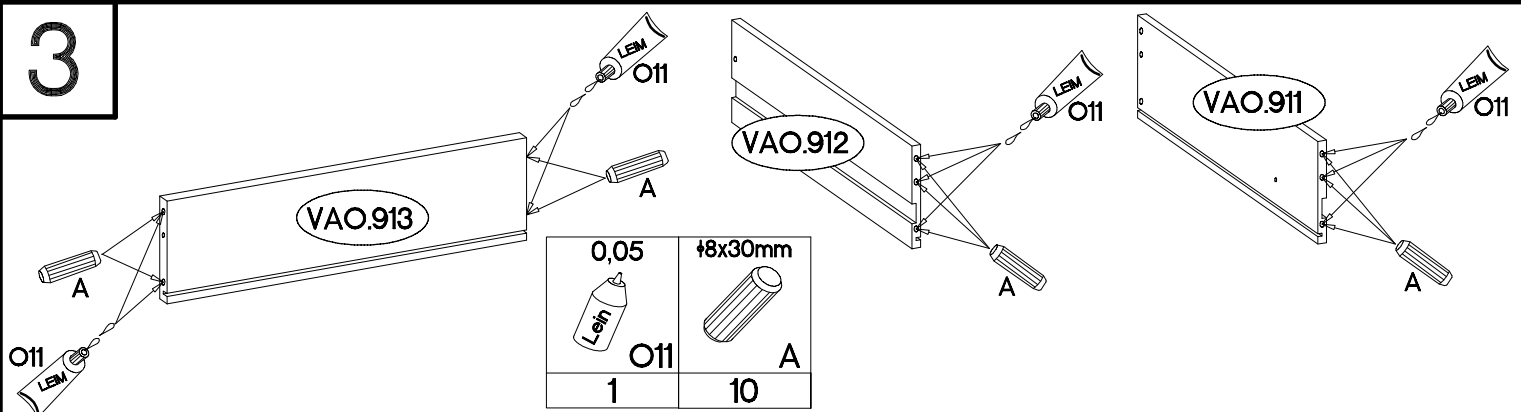
2

 C 24	 A 32	 D2 16	 I3 1	 M2 4	 O1 1	 T3 7	 P1 7
 F4 8							

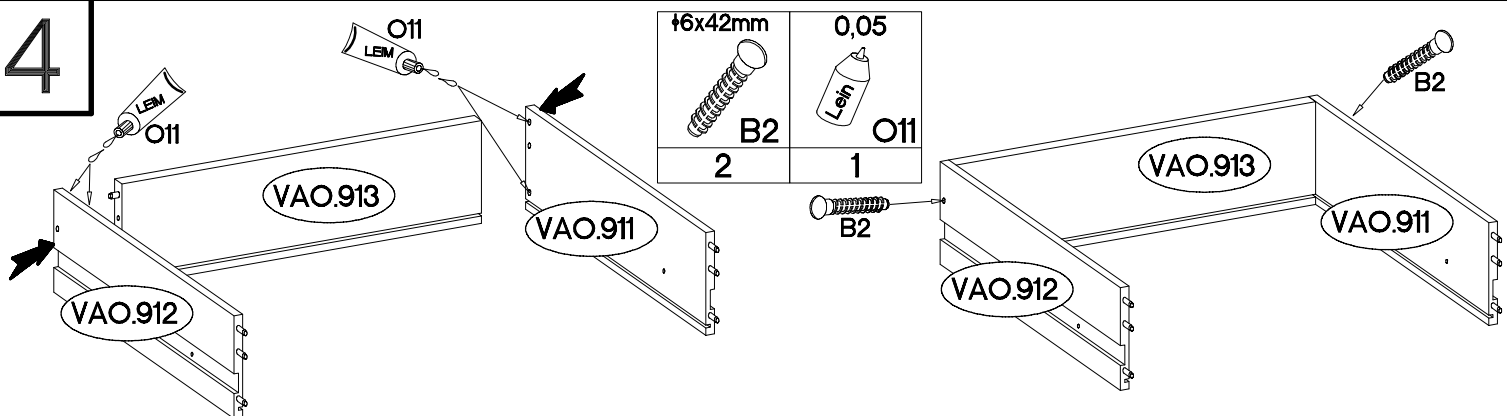




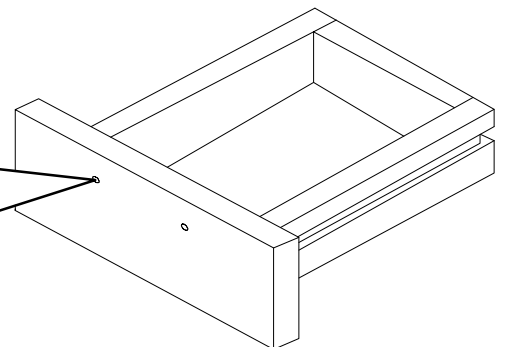
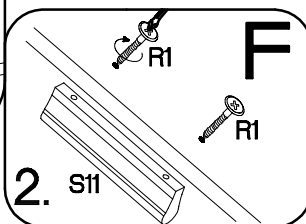
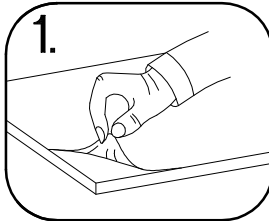
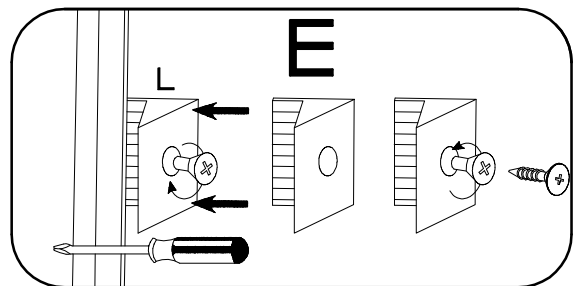
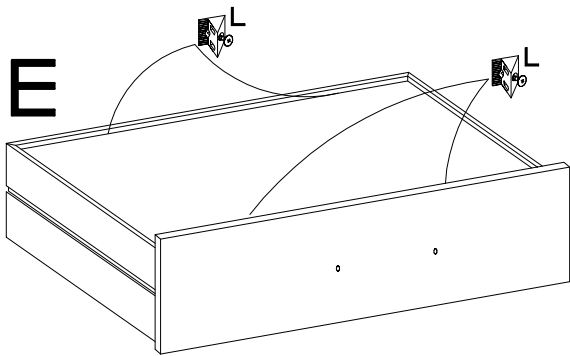
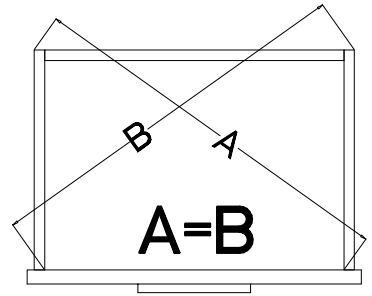
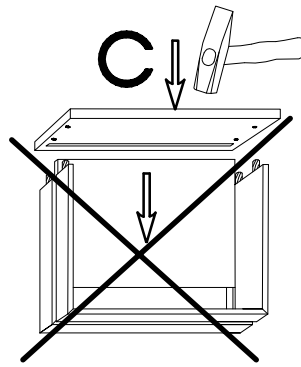
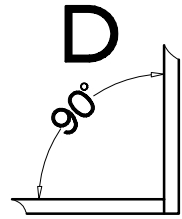
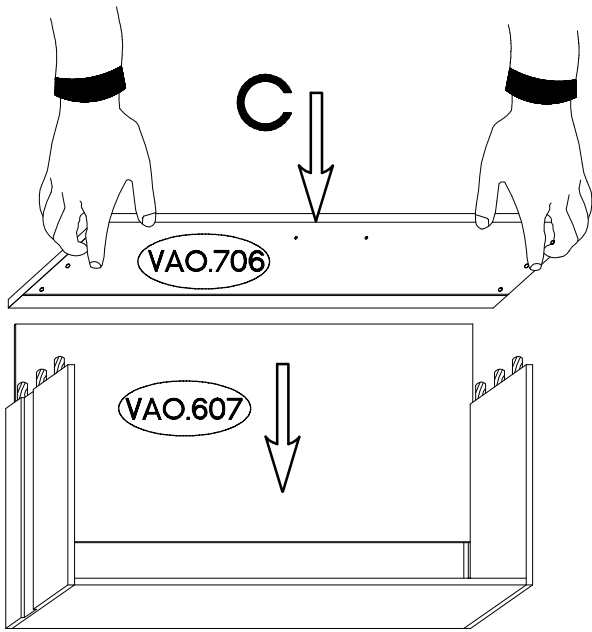
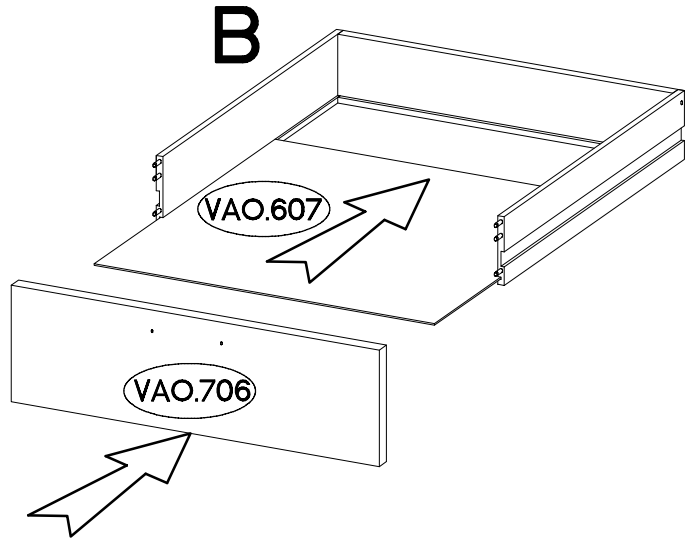
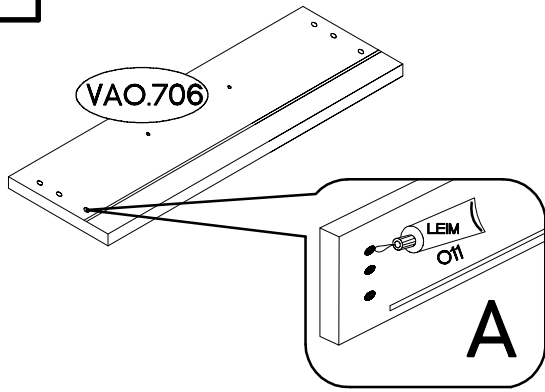
3



4





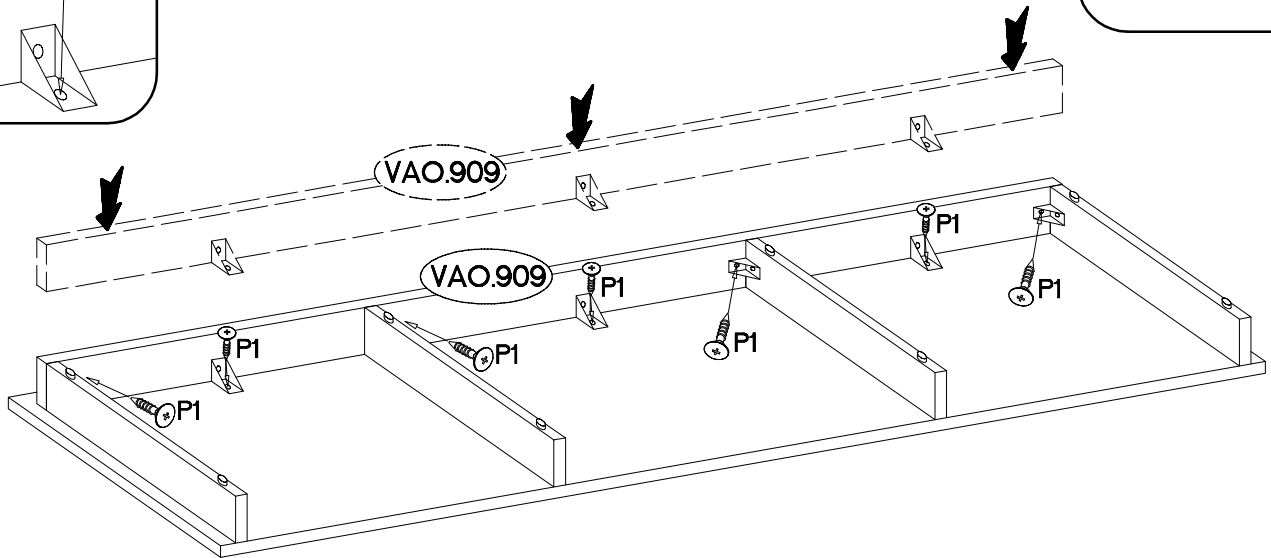
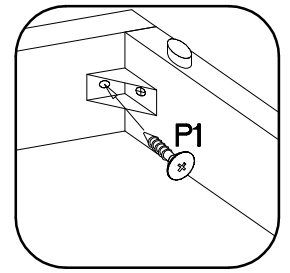
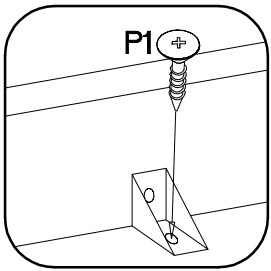
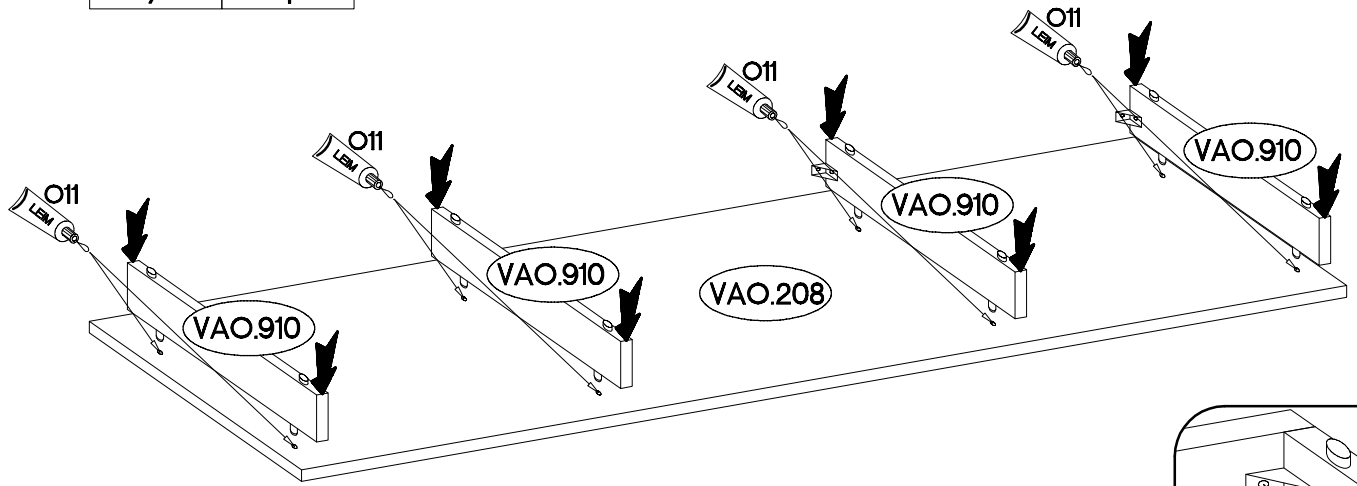
5



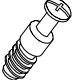
L=128mm	+4.0x27mm	0,05	
S11	R1	O11	L
1	2	1	4

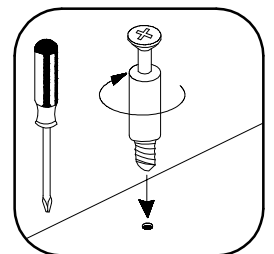
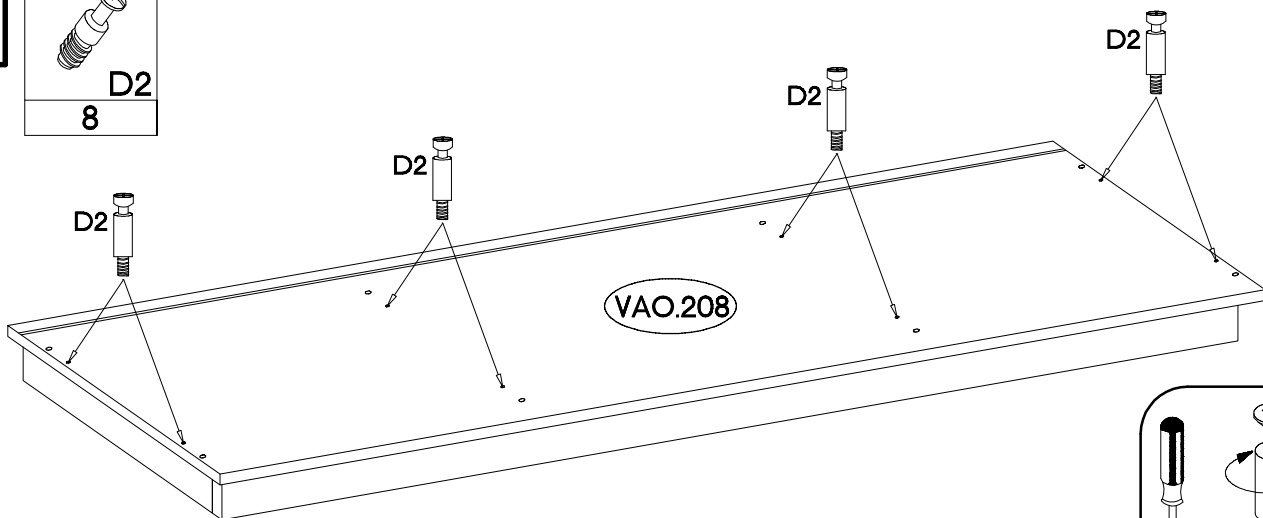
6

±4.0x16mm  P1 7	0,05  O11 1
--	--

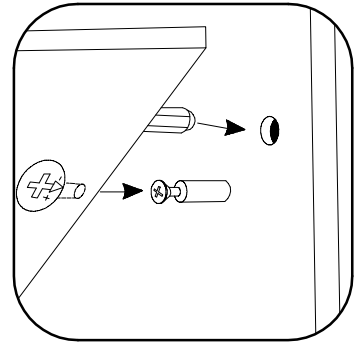
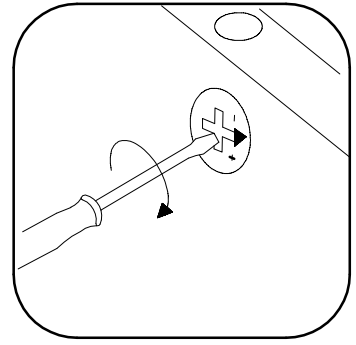
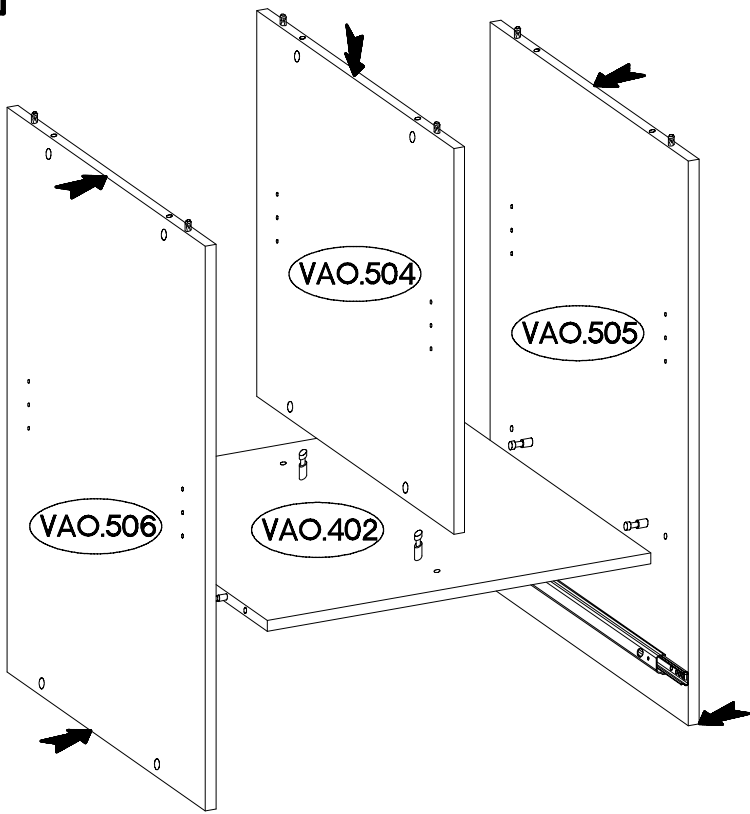


7

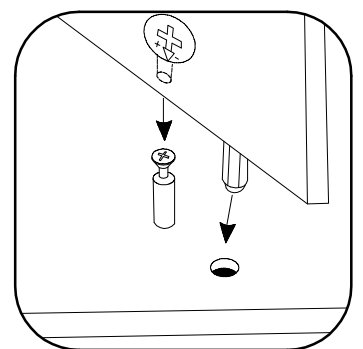
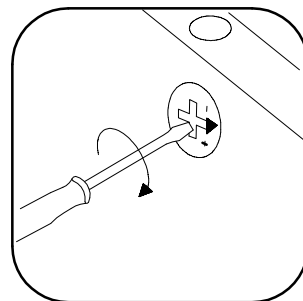
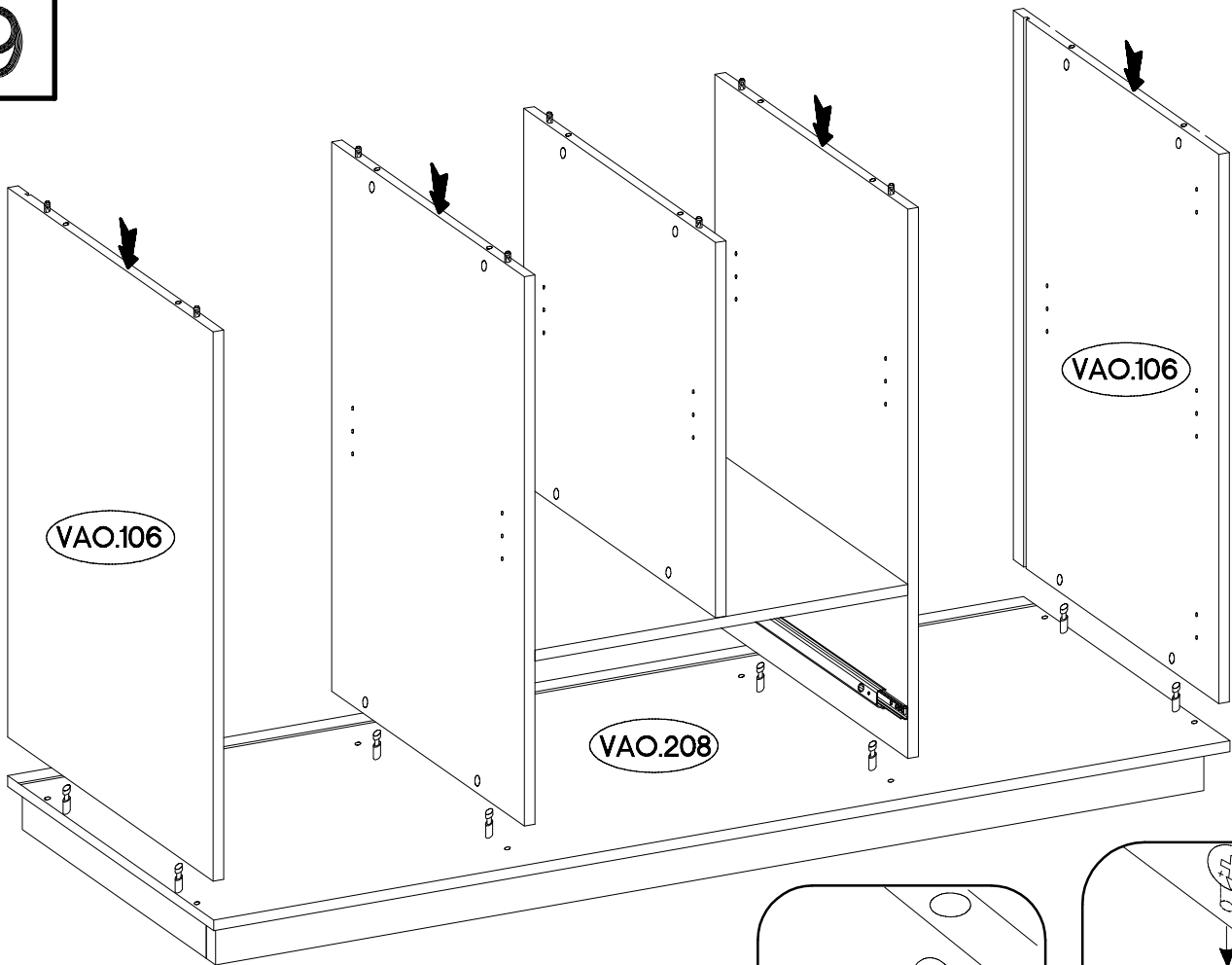
L=20mm  D2 8
--



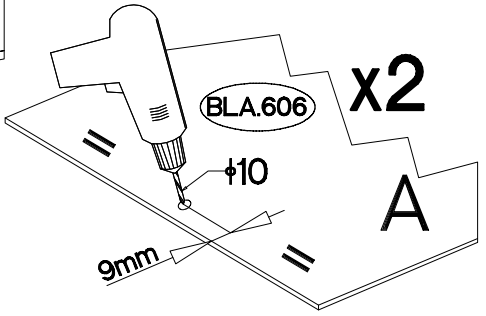
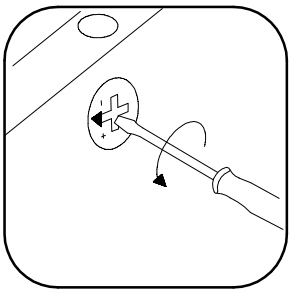
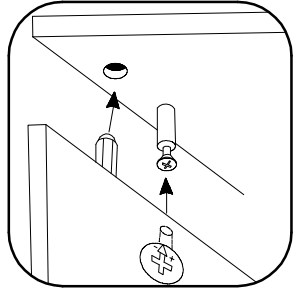
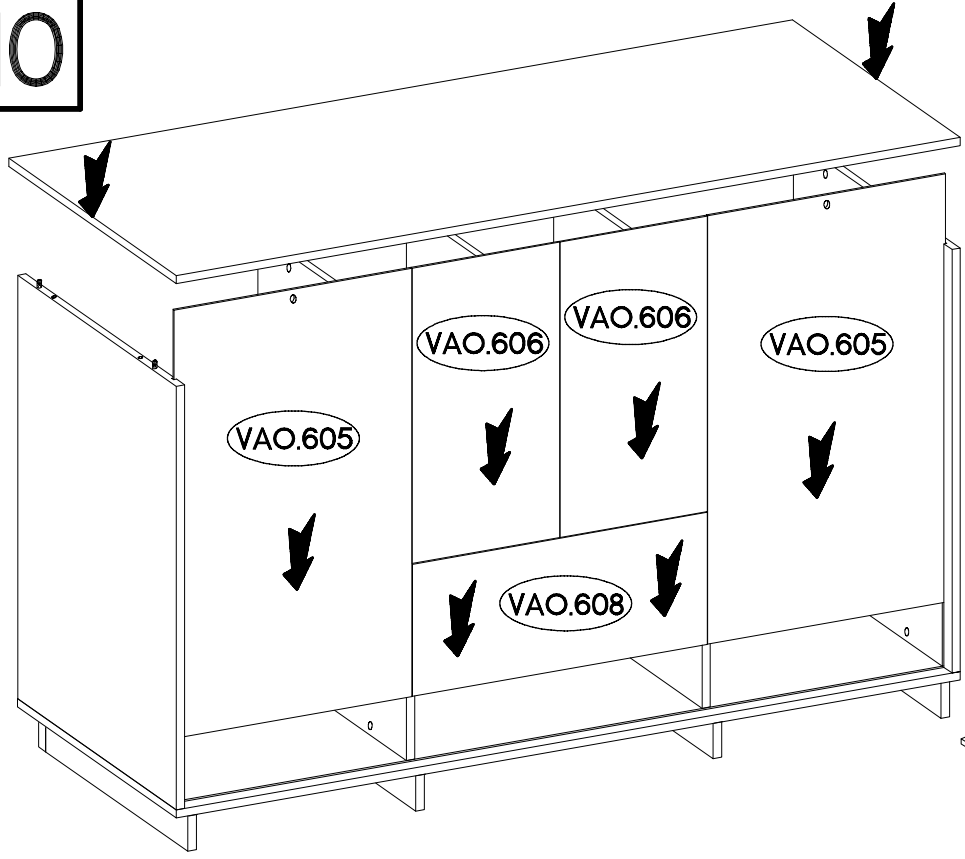
8



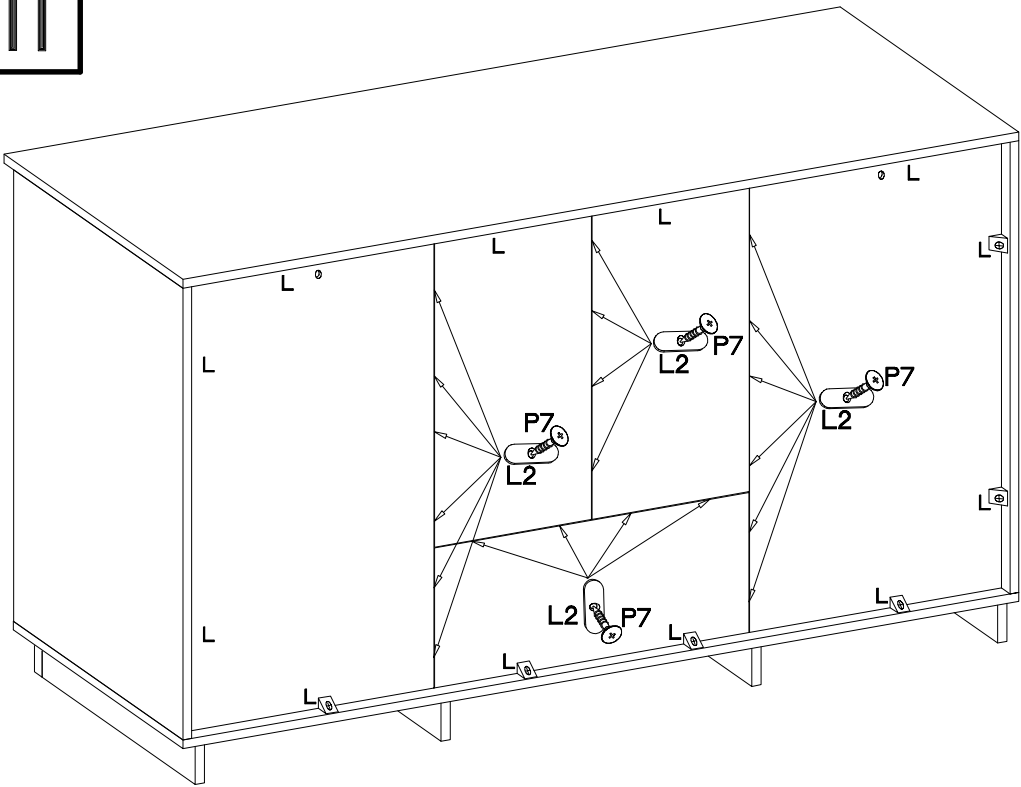
9



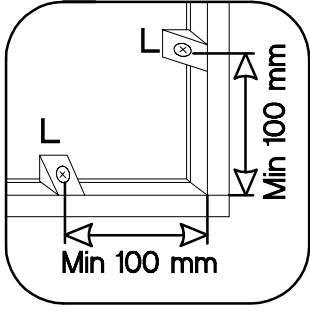
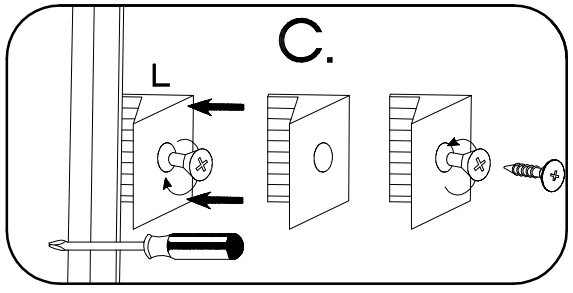
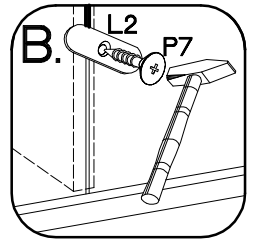
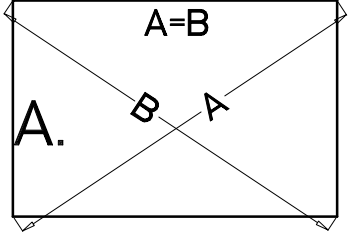
10






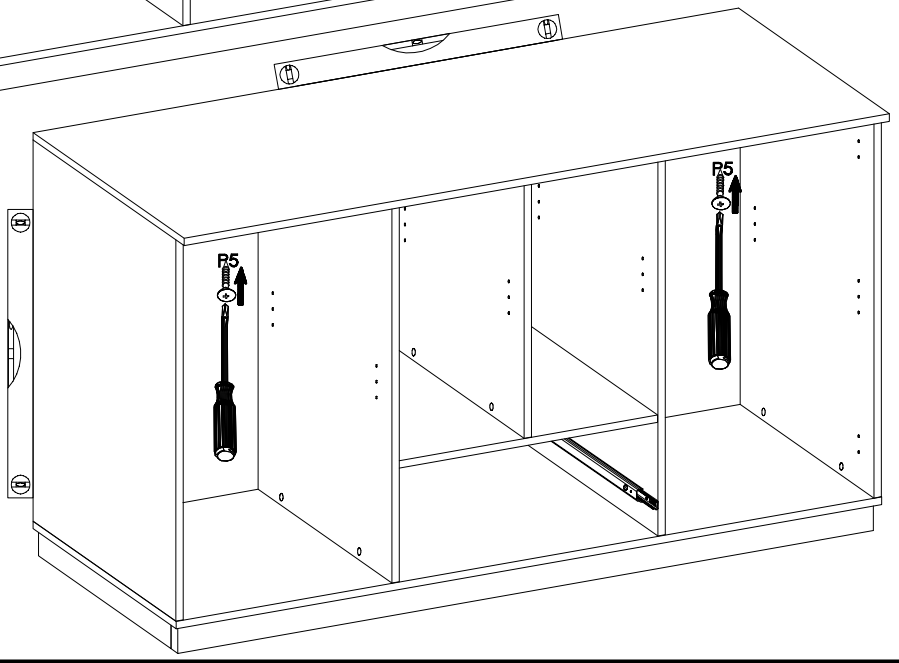
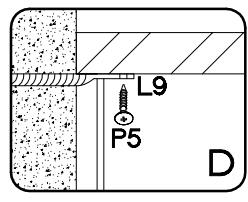
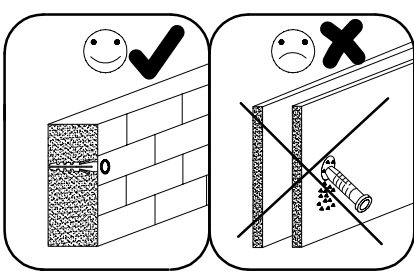
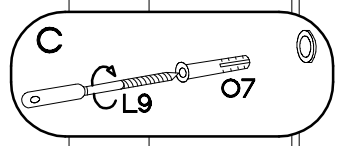
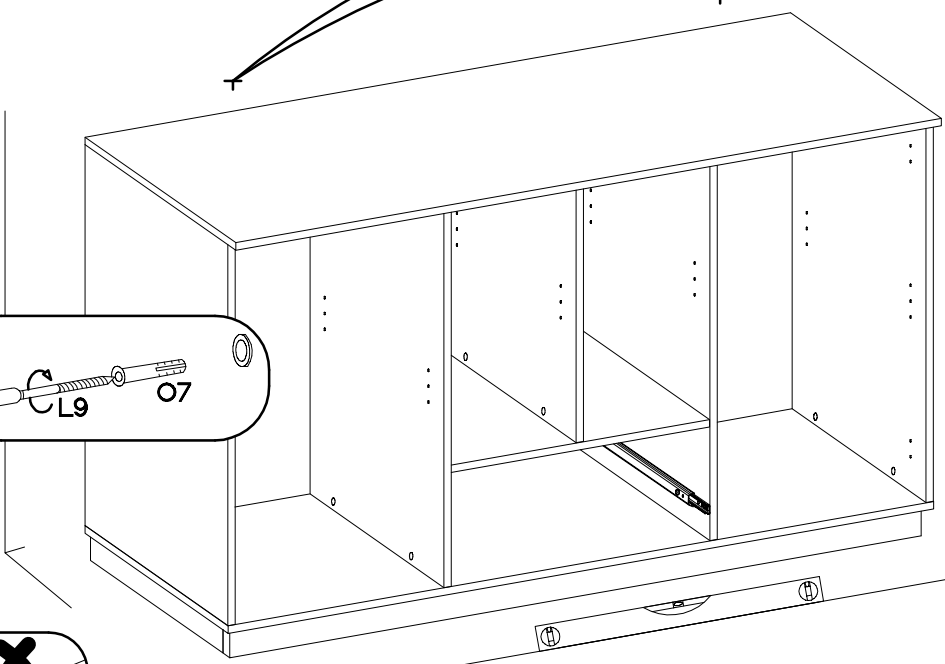
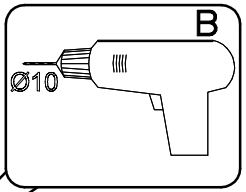
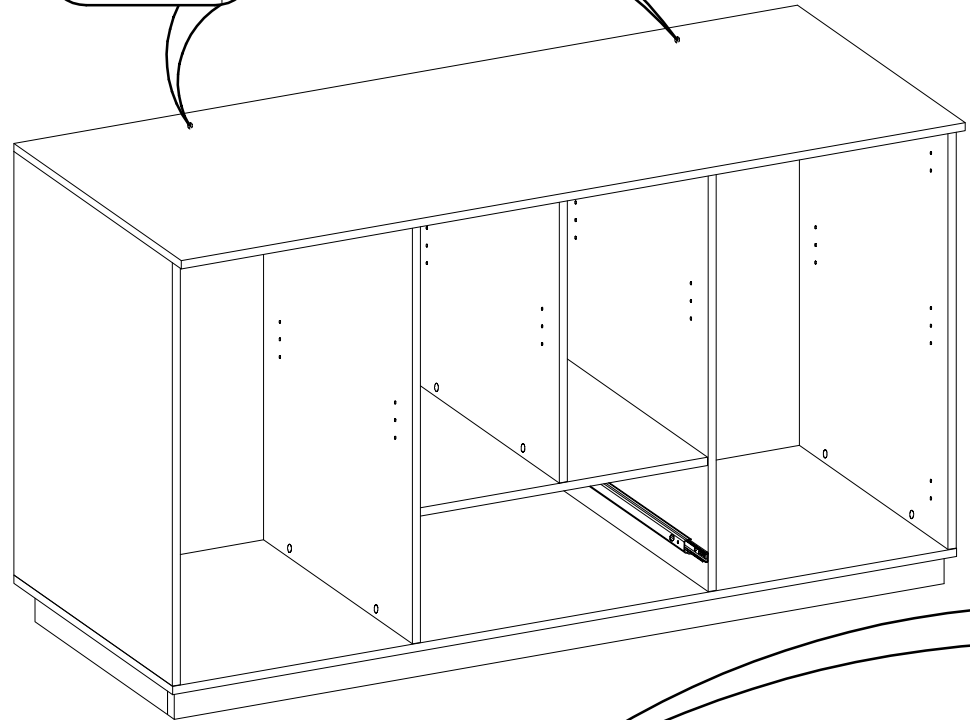
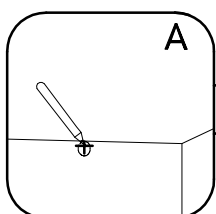
11



		$\varnothing 3.0 \times 20 \text{ mm}$
L2	L	P7
20	12	20

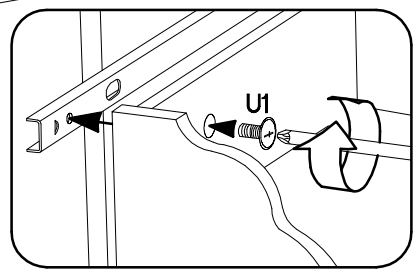
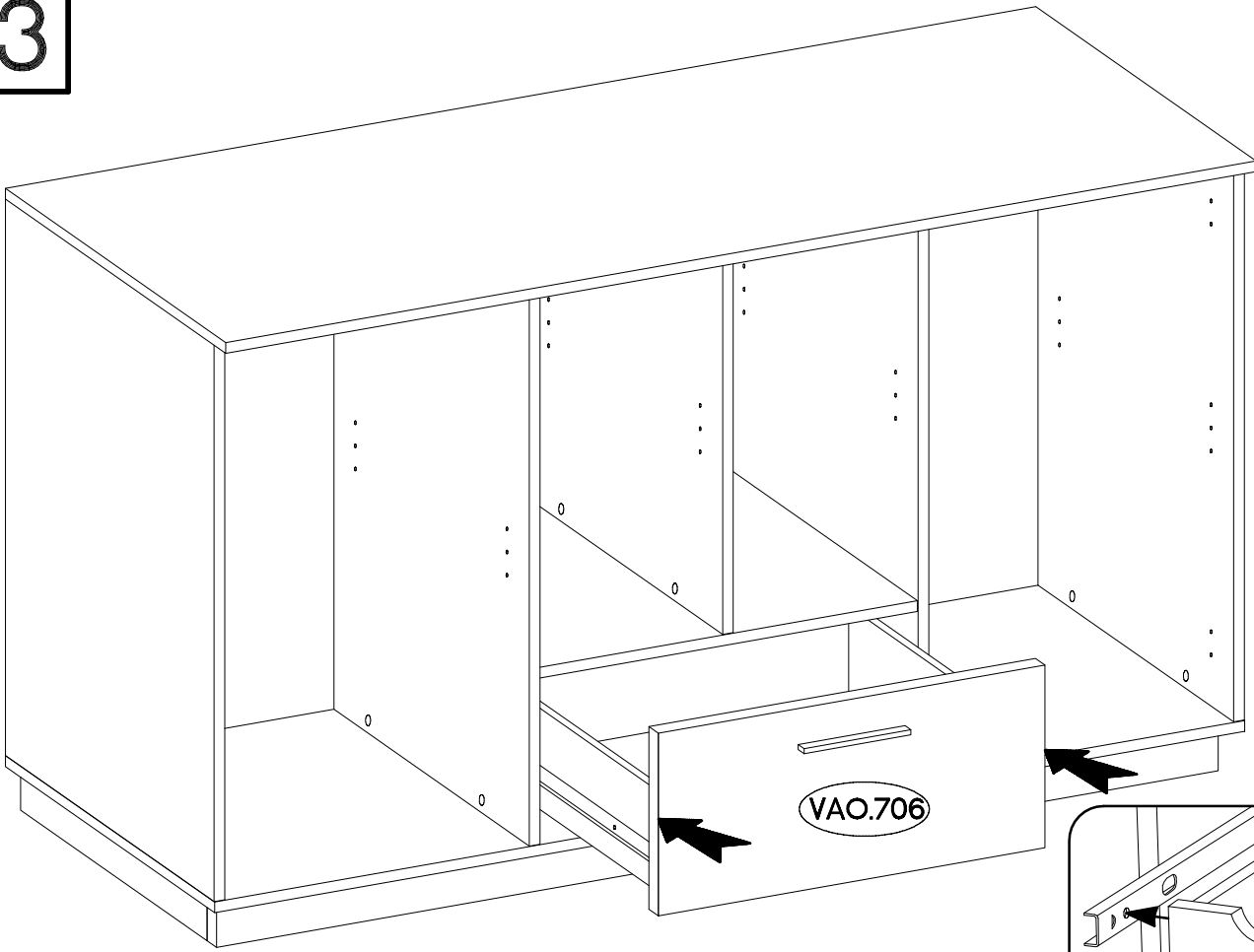


$\pm 3.5 \times 13 \text{mm}$	$\pm 10 \times 50 \text{mm}$	
		
P5	O7	L9
2	2	2



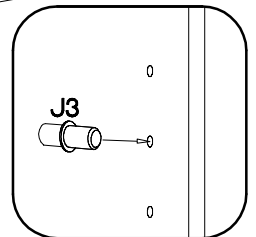
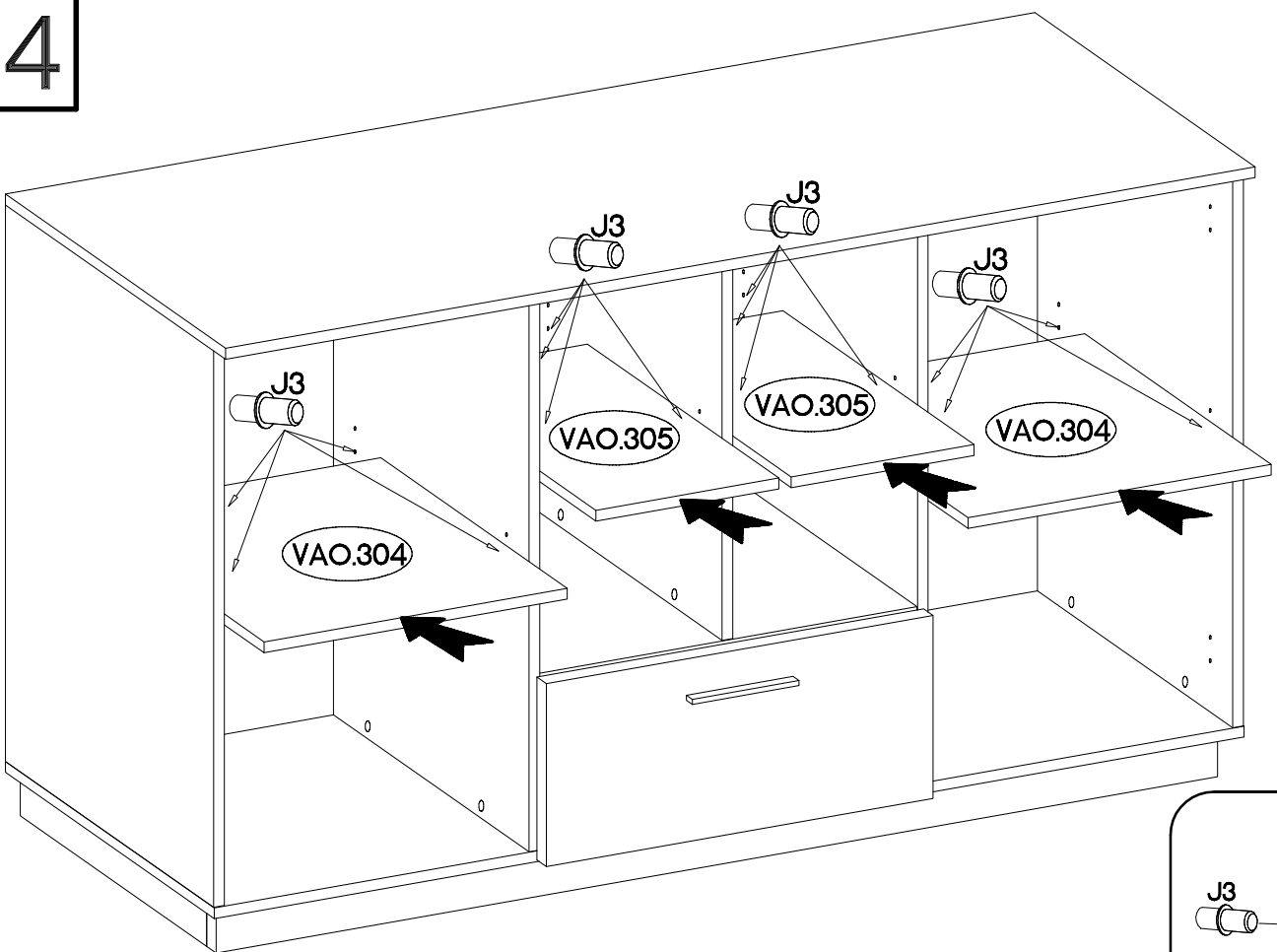
13

M4x9mm
U1
2

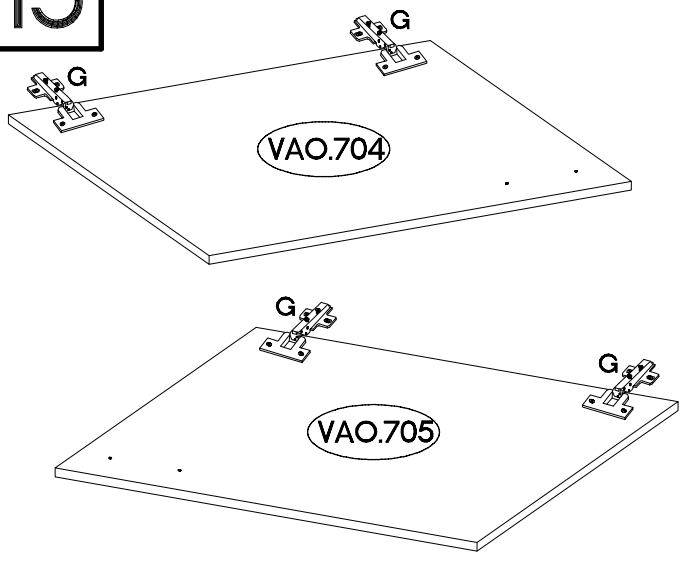


14

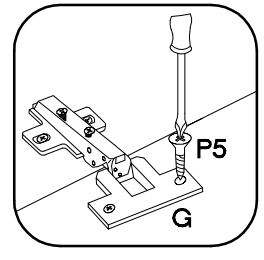
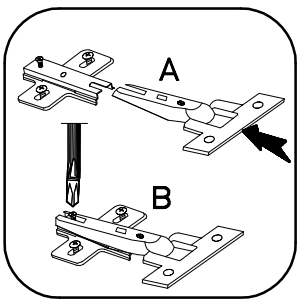
J3
16



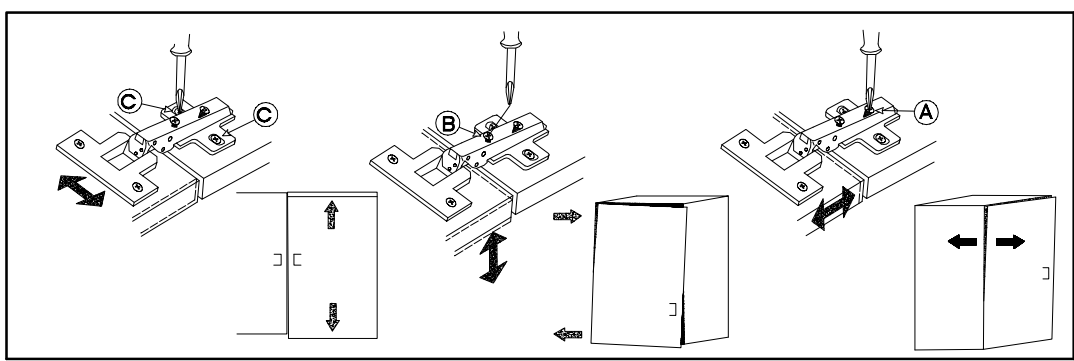
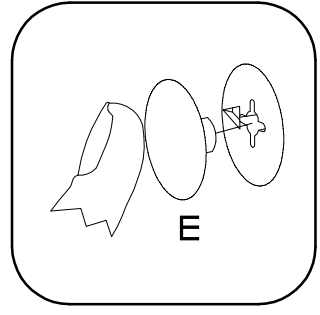
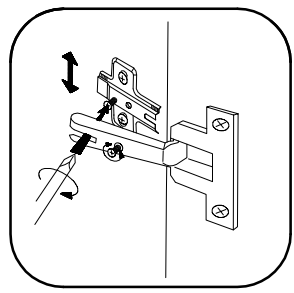
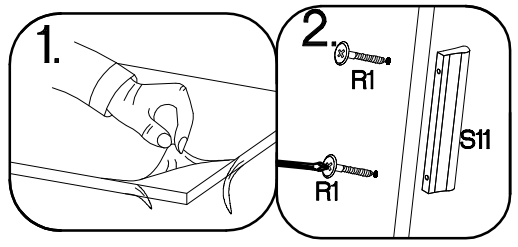
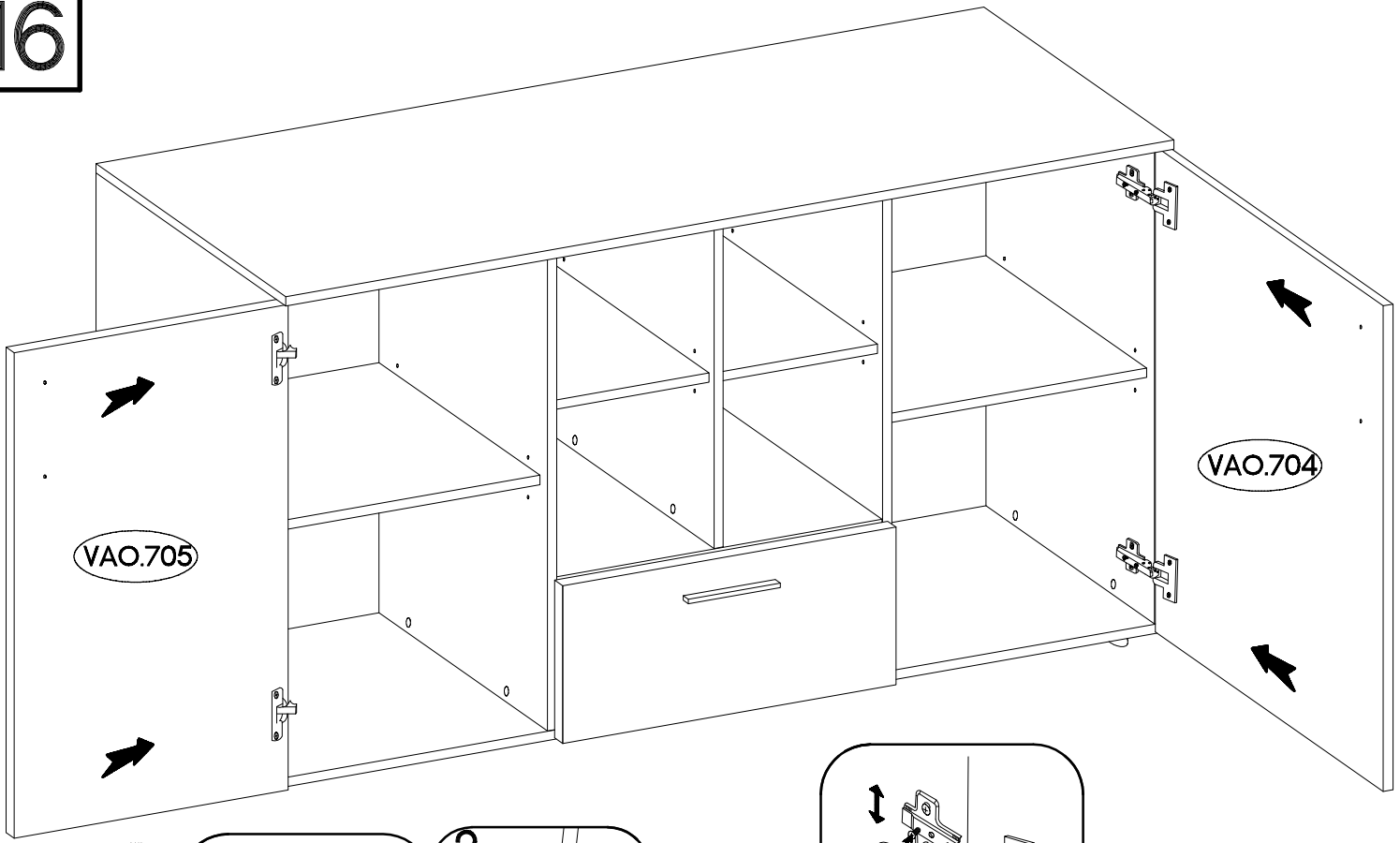
15



±35/0mm G 4	H=0 H 4	±3.5x13mm P5 8
-----------------------	-------------------	--------------------------



16



 E 20	L=128mm S11 2	±4.0x27mm R1 4
-------------	-------------------------	--------------------------