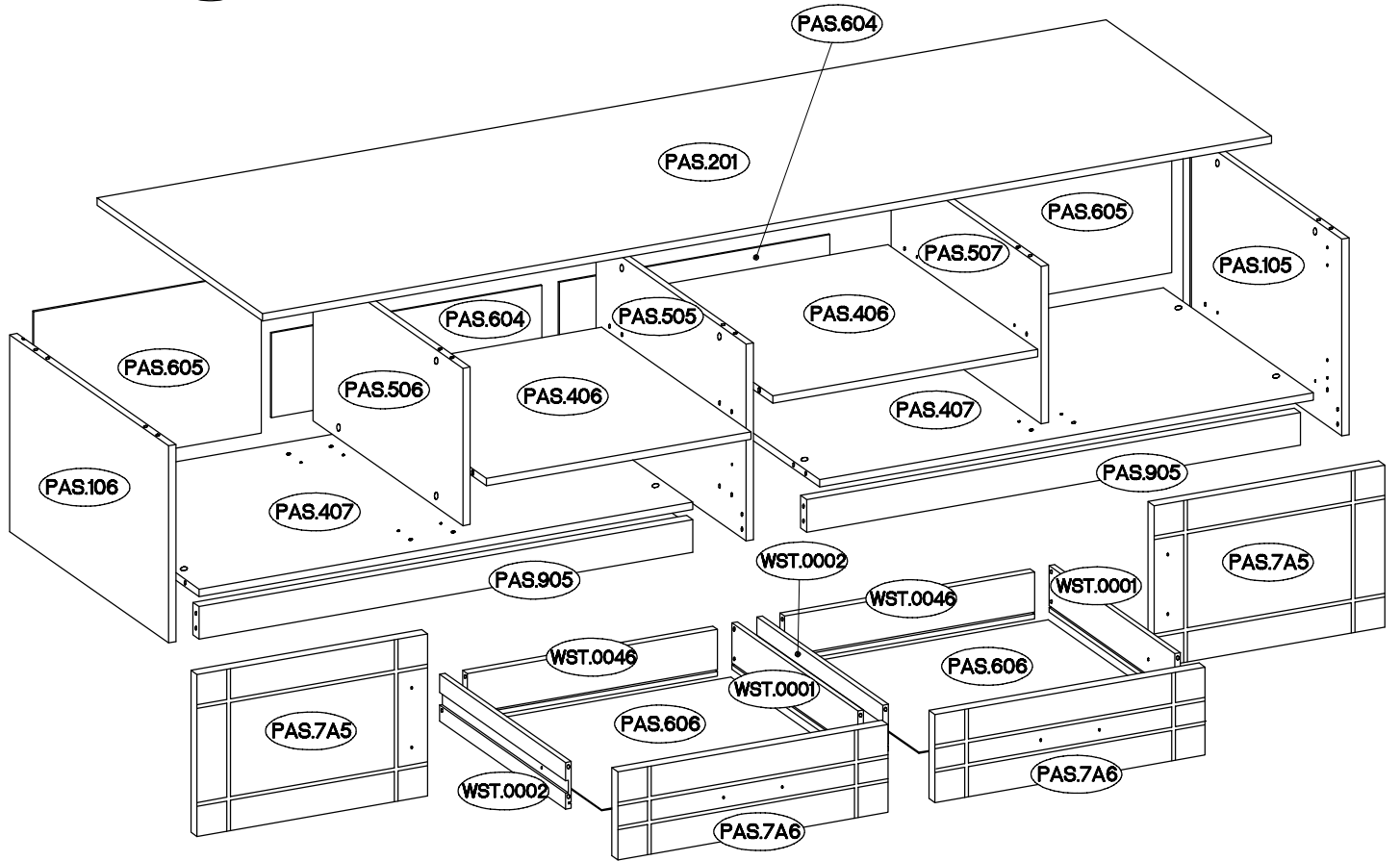


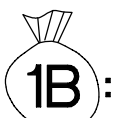
PAS.406 = max. 5kg

PAS.201 = max. 15kg

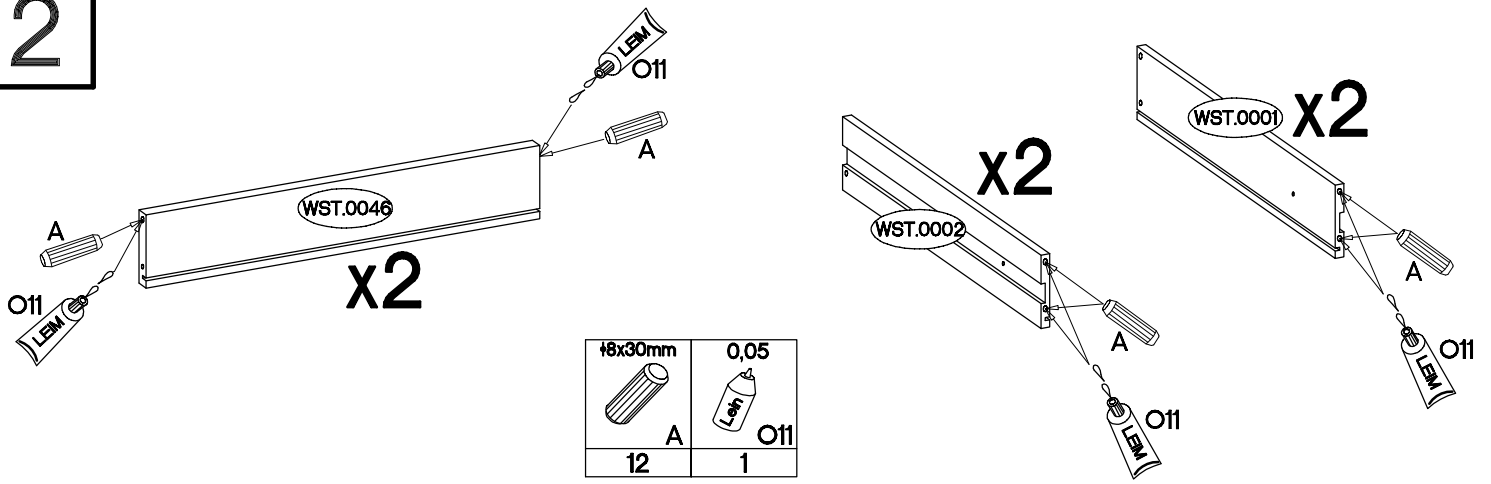


F2	D4
6	4

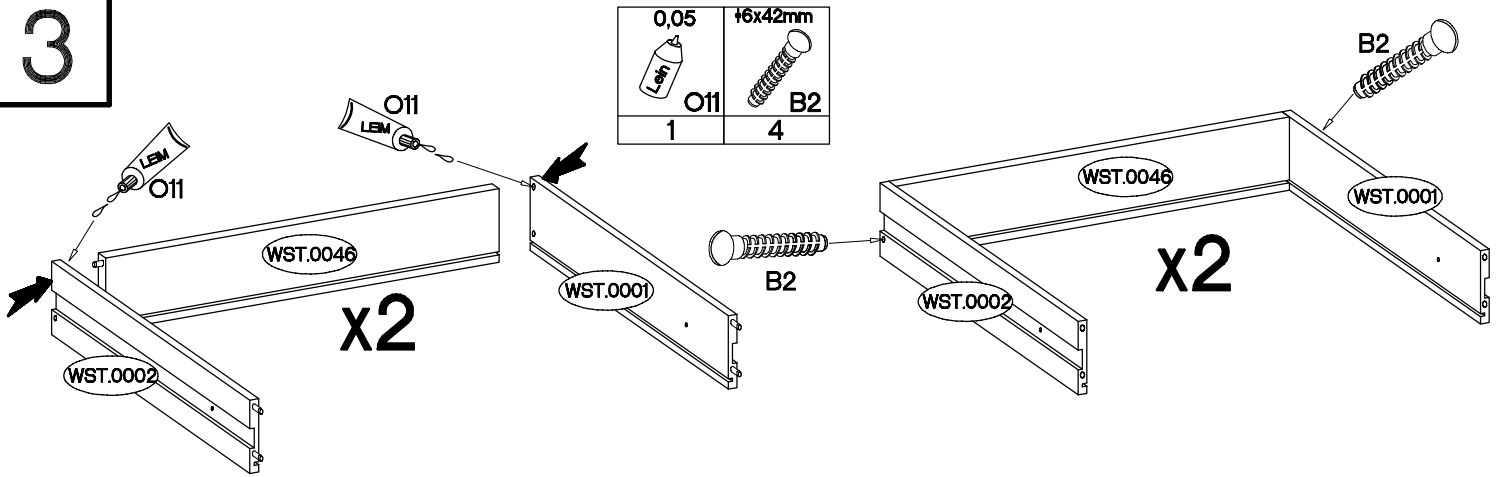
	+4.0x16mm	+15x5mm	+6,3x13mm	0,05	27/310mm	+6x42mm	M4x9mm		+3.0x20mm
T3	P1	F4	M2	O11	I4	B2	U1	L2	P7
2	4	2	8	1	2	4	4	6	24
+15/12mm	+8x30mm	L=20mm		+35/0mm	H=0	L=128mm	+3.5x13mm	+4.0x30mm	
C	A	D2	E	G	H	S11	P5	R2	L
30	50	22	18	4	4	4	8	8	12



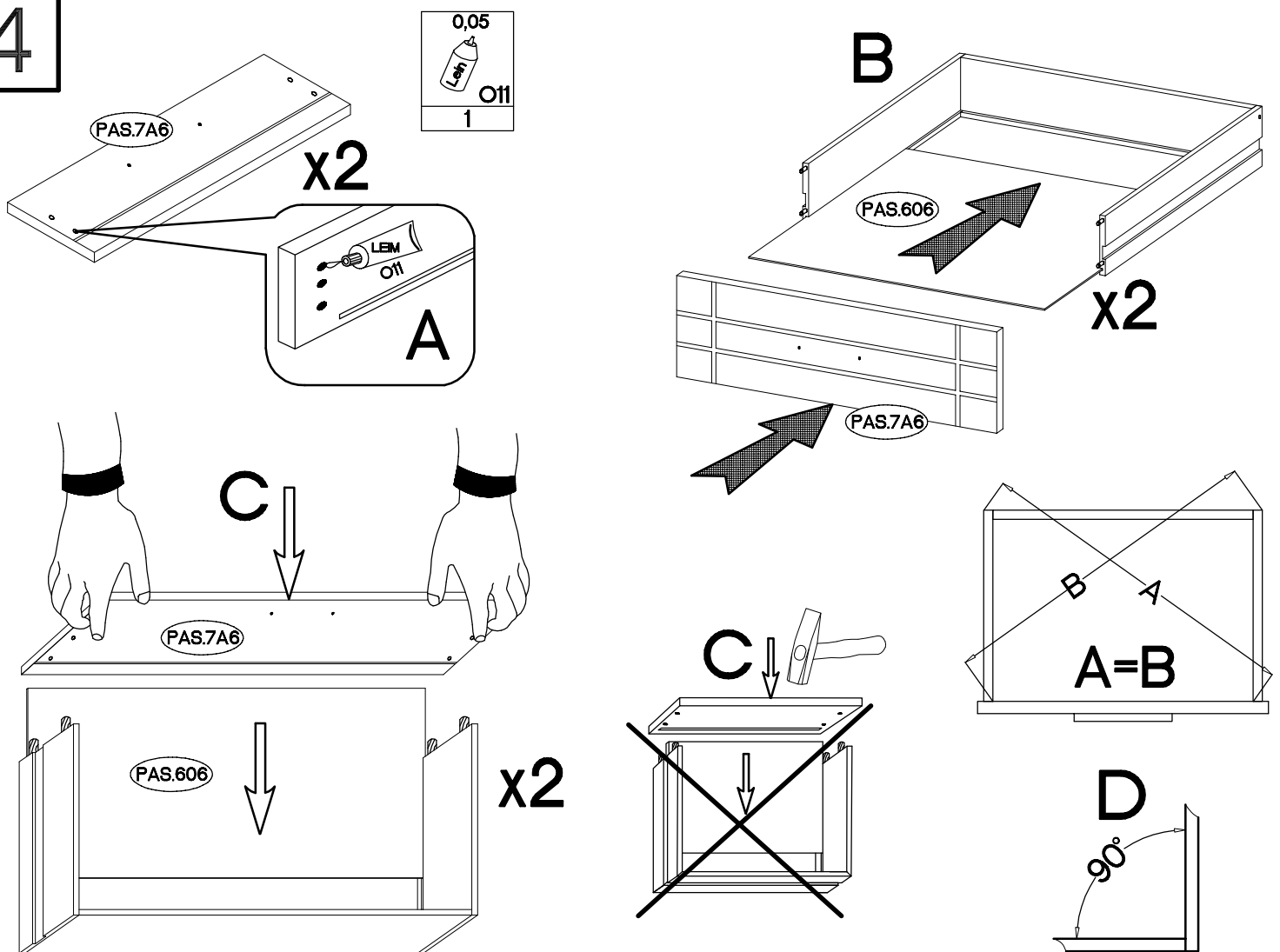
2

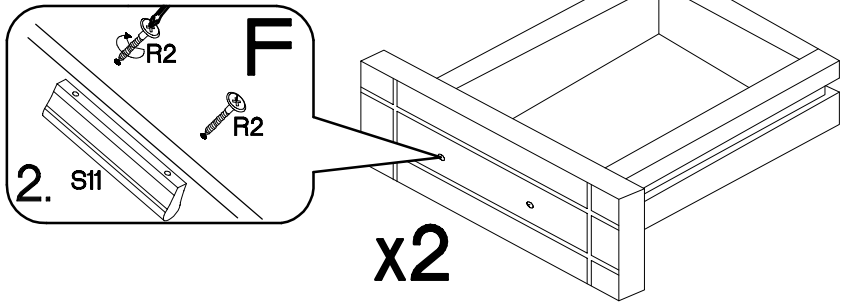
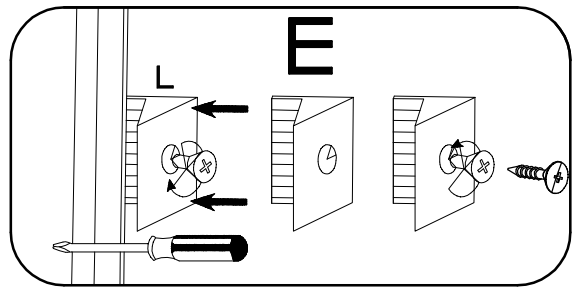
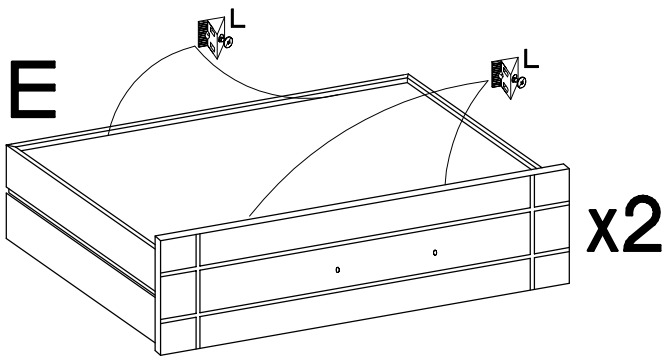


3



4

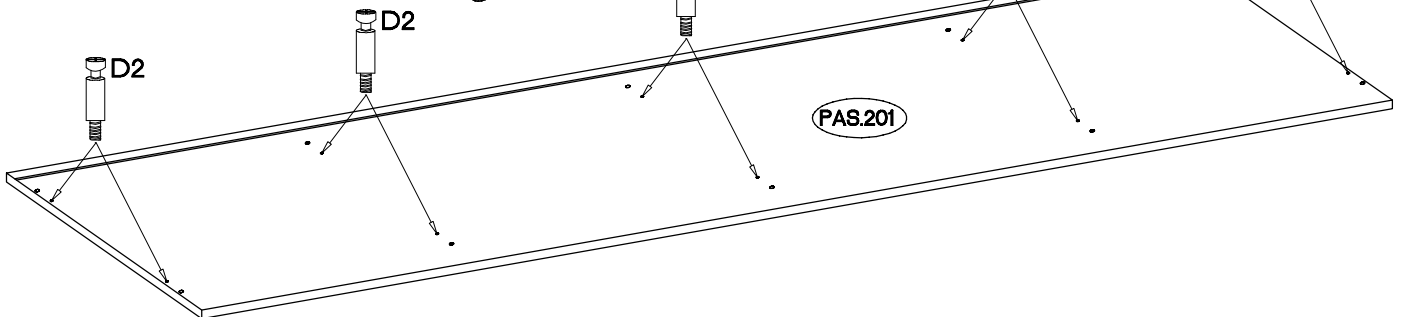
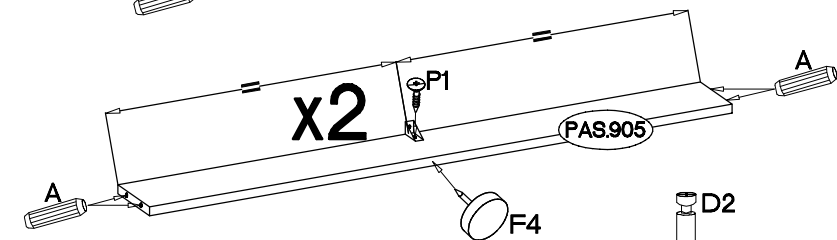
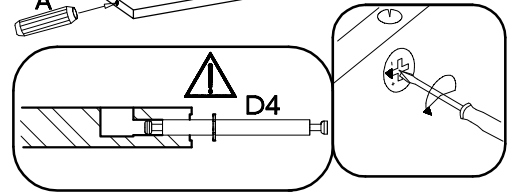
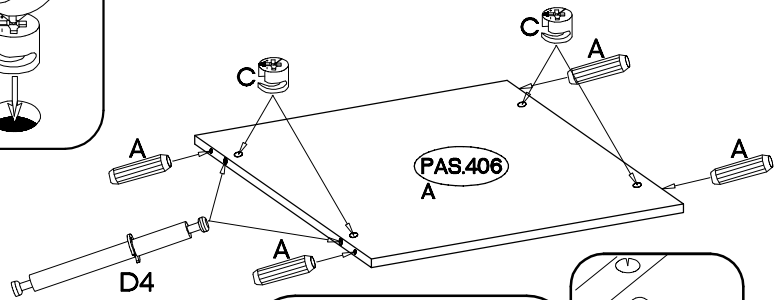
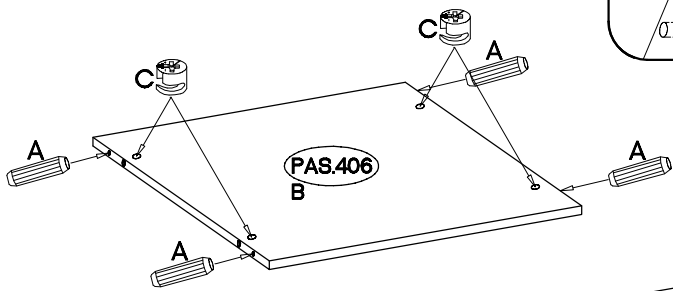
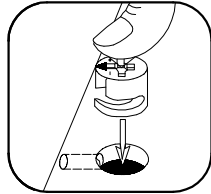
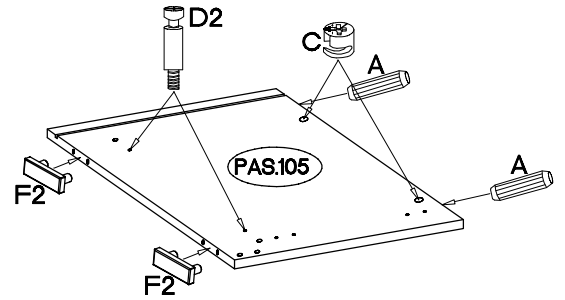
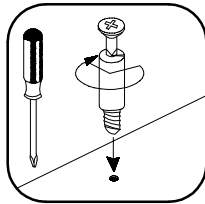
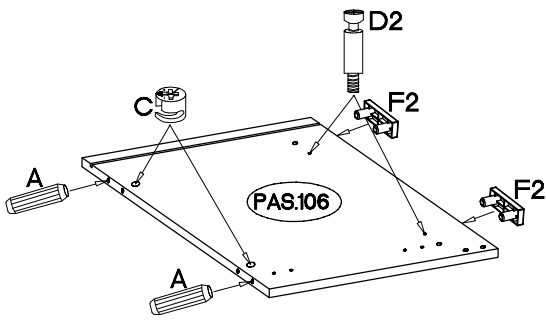


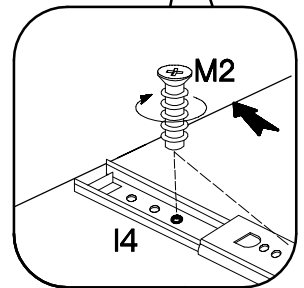
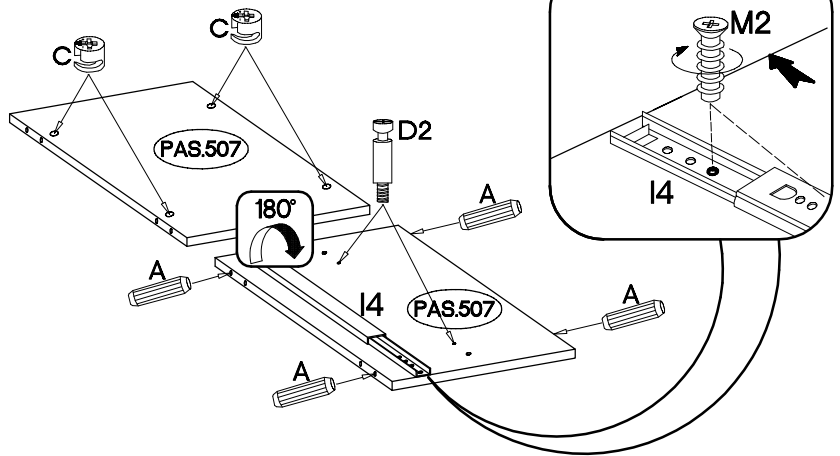
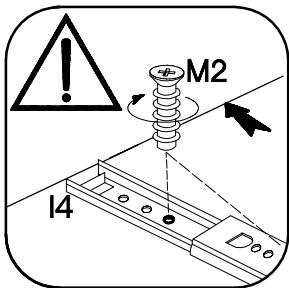
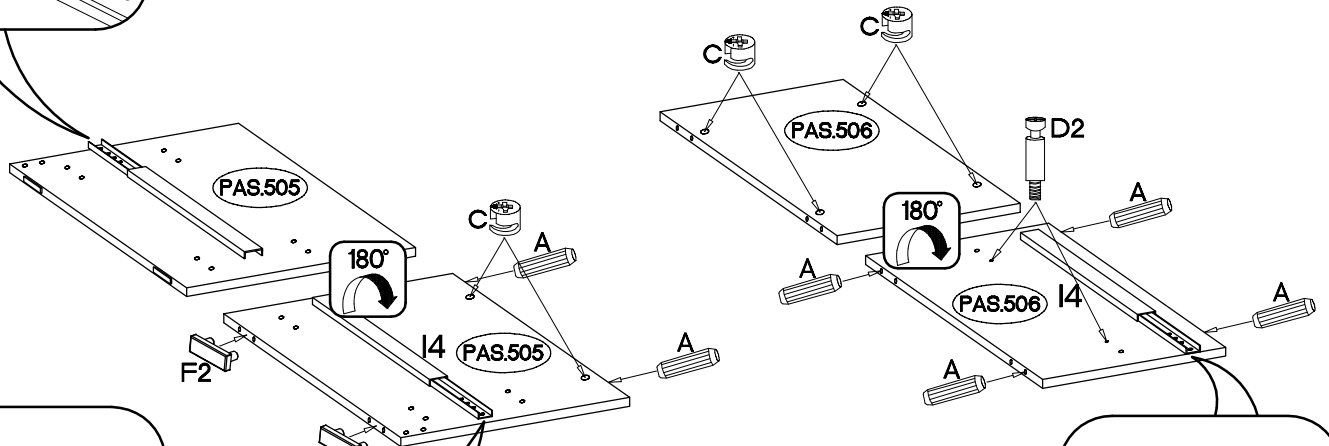
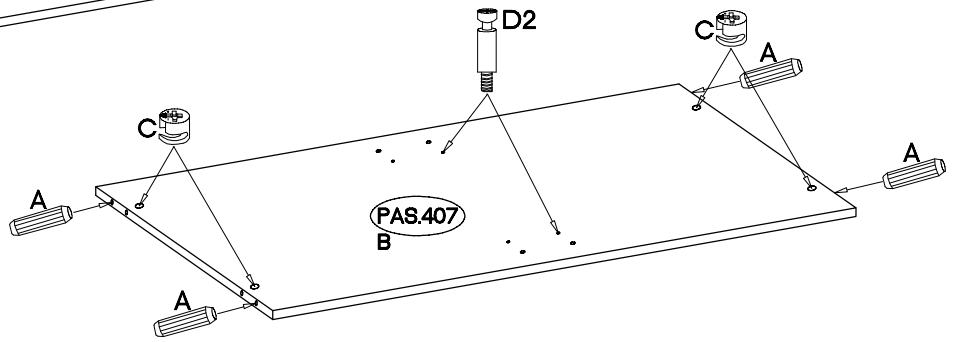
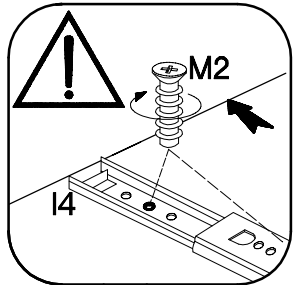
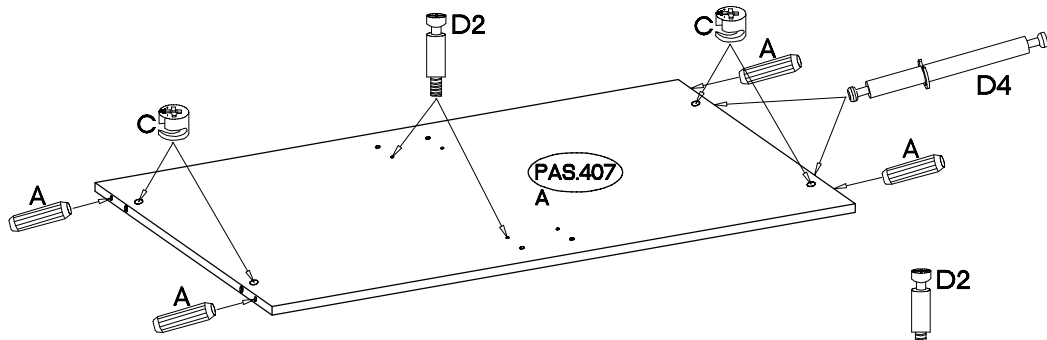


L=128mm	+4.0x30mm	
S11	R2	L
2	4	8

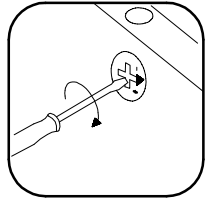
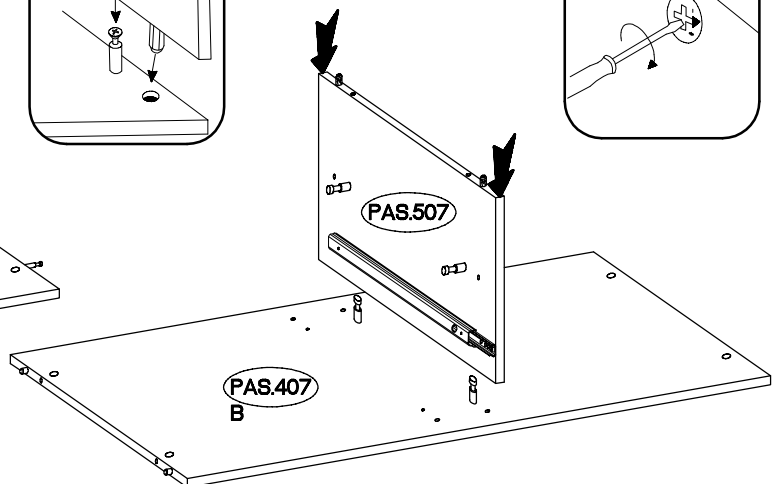
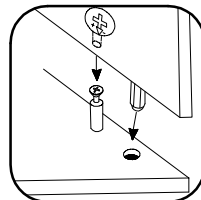
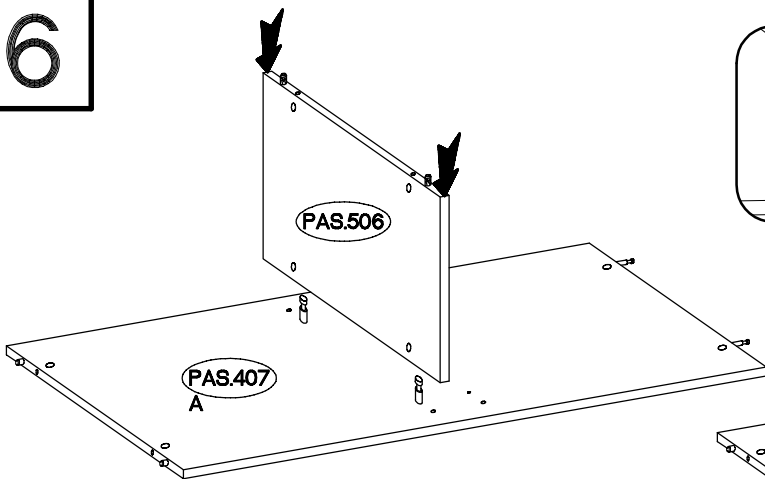
5

+15/12mm	+8x30mm	L=20mm	6.5x48x16	+15x5mm	27/30mm	+6.3x13mm	L=56mm	+4.0x16mm
C	A	D2	F2	F4	I4	M2	D4	T3
30	38	22	6	2	2	8	4	2

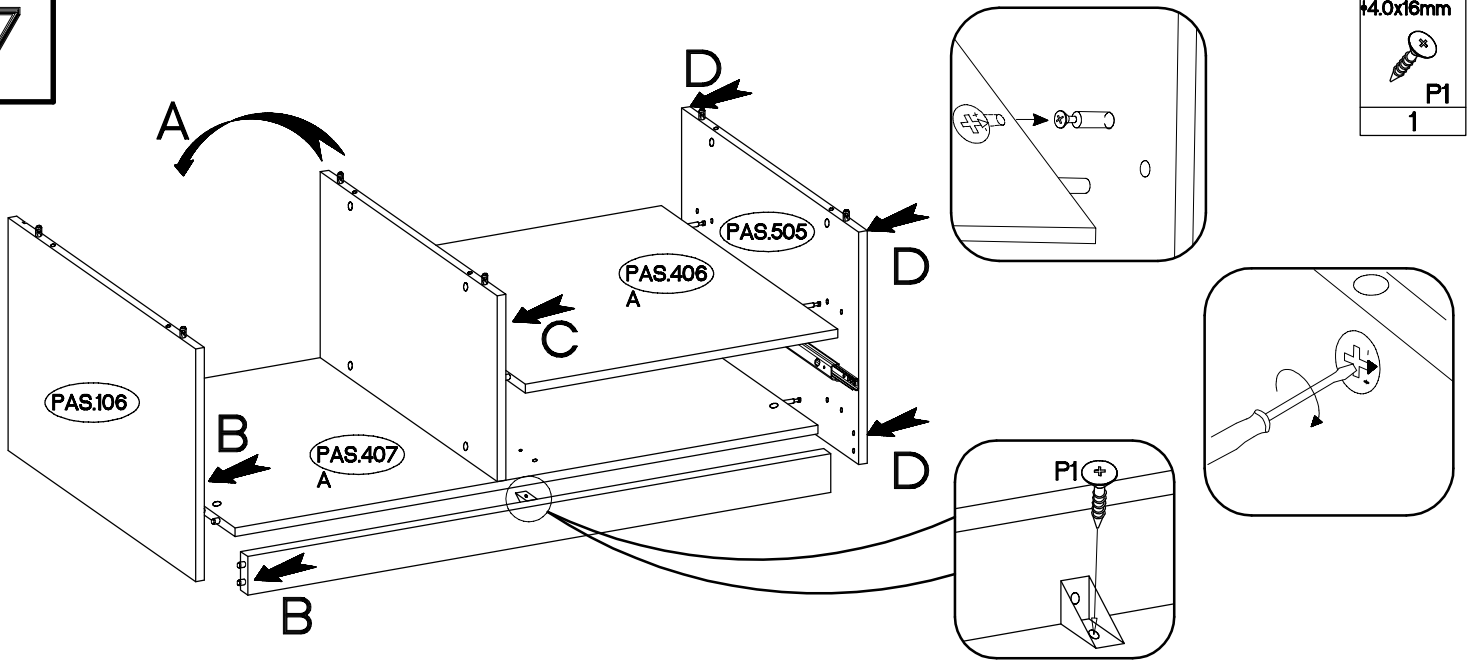




6

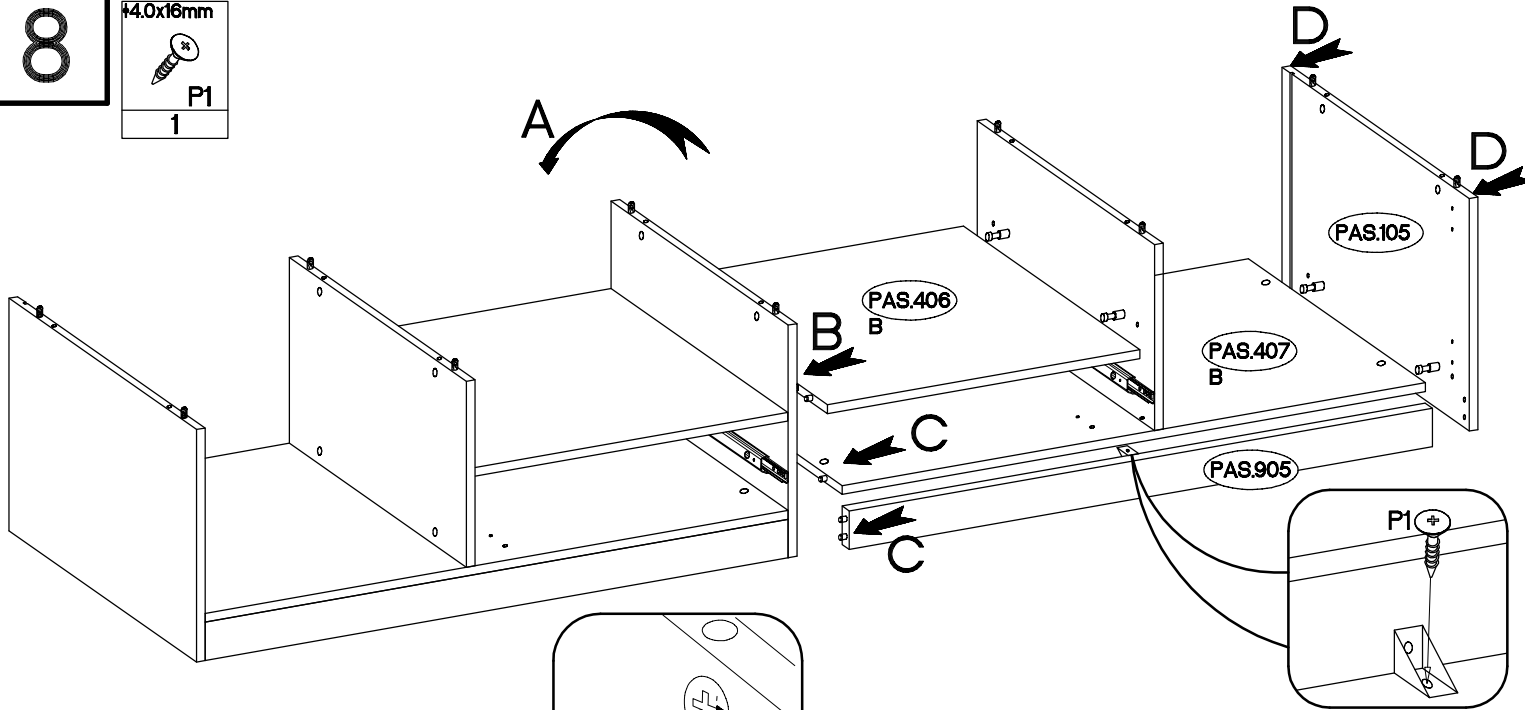


7

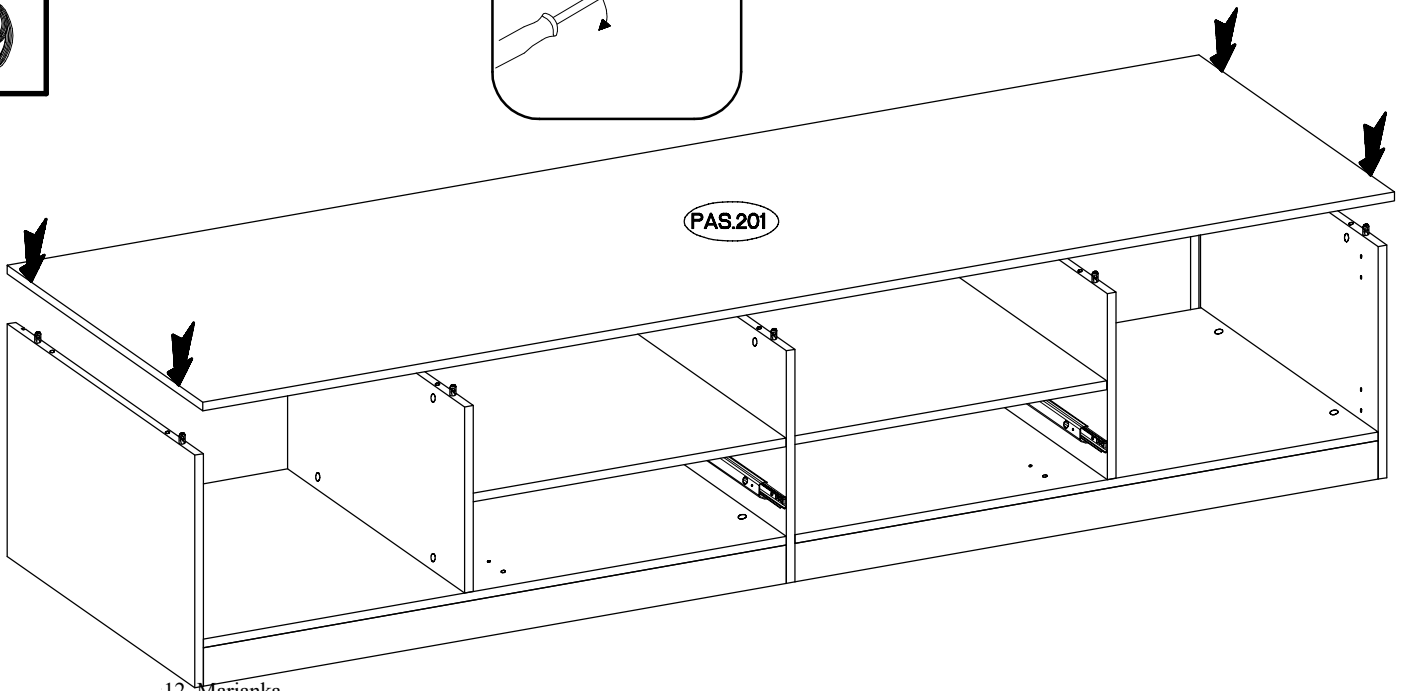


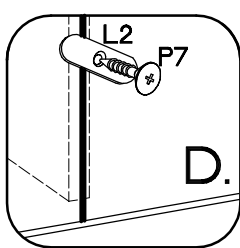
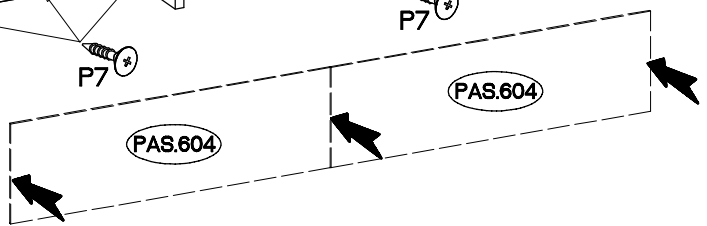
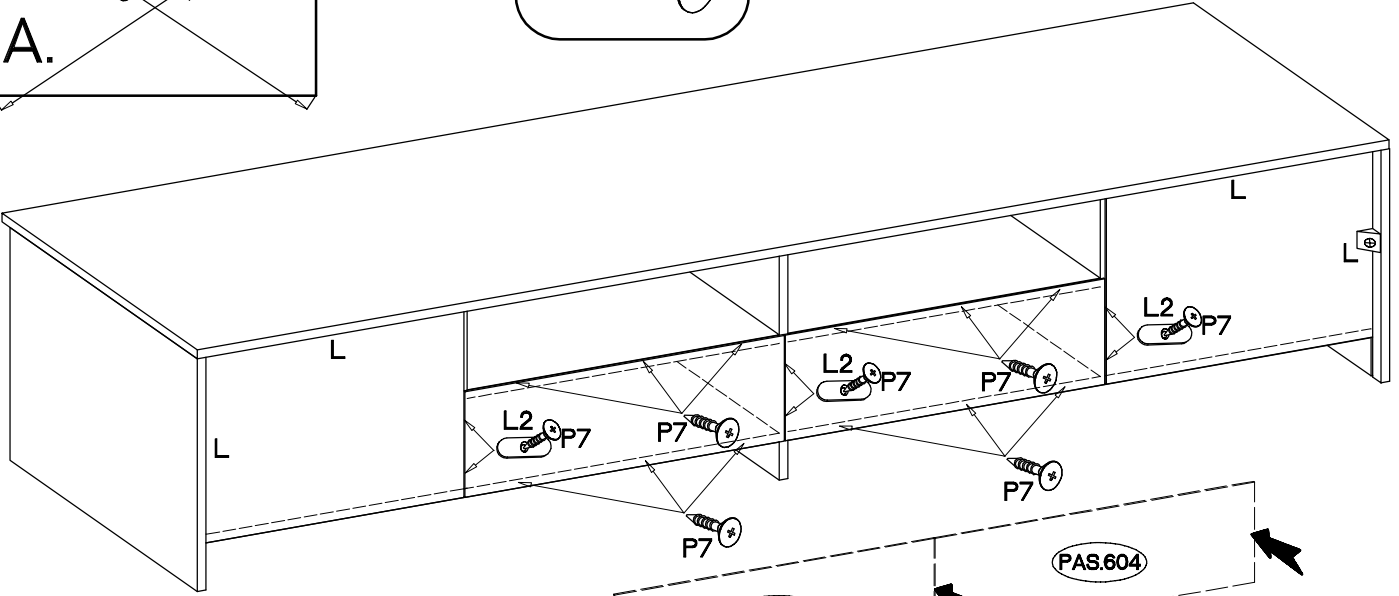
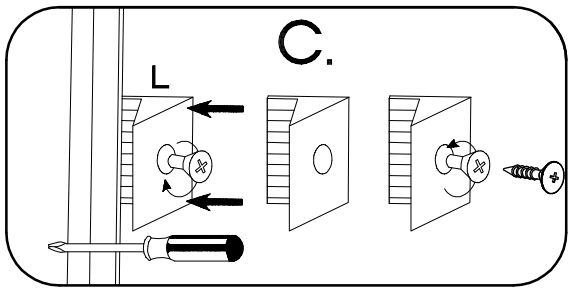
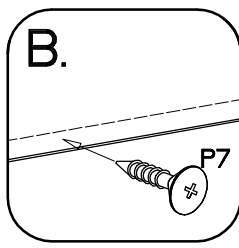
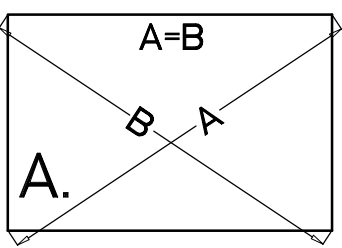
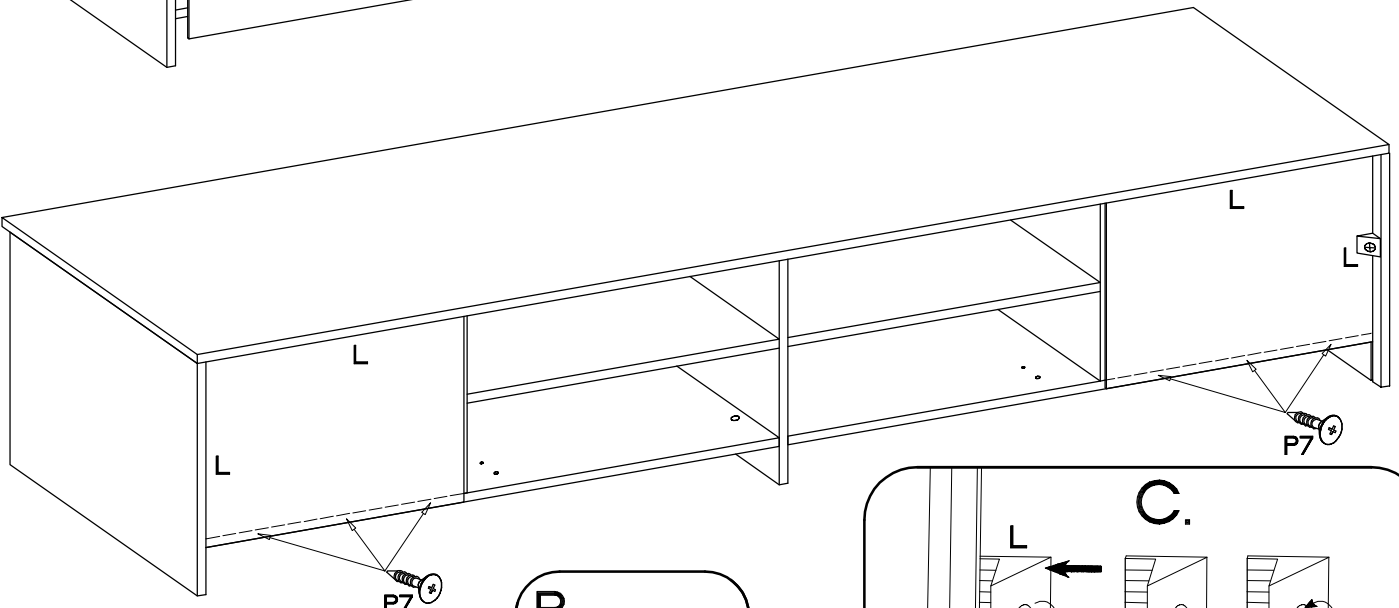
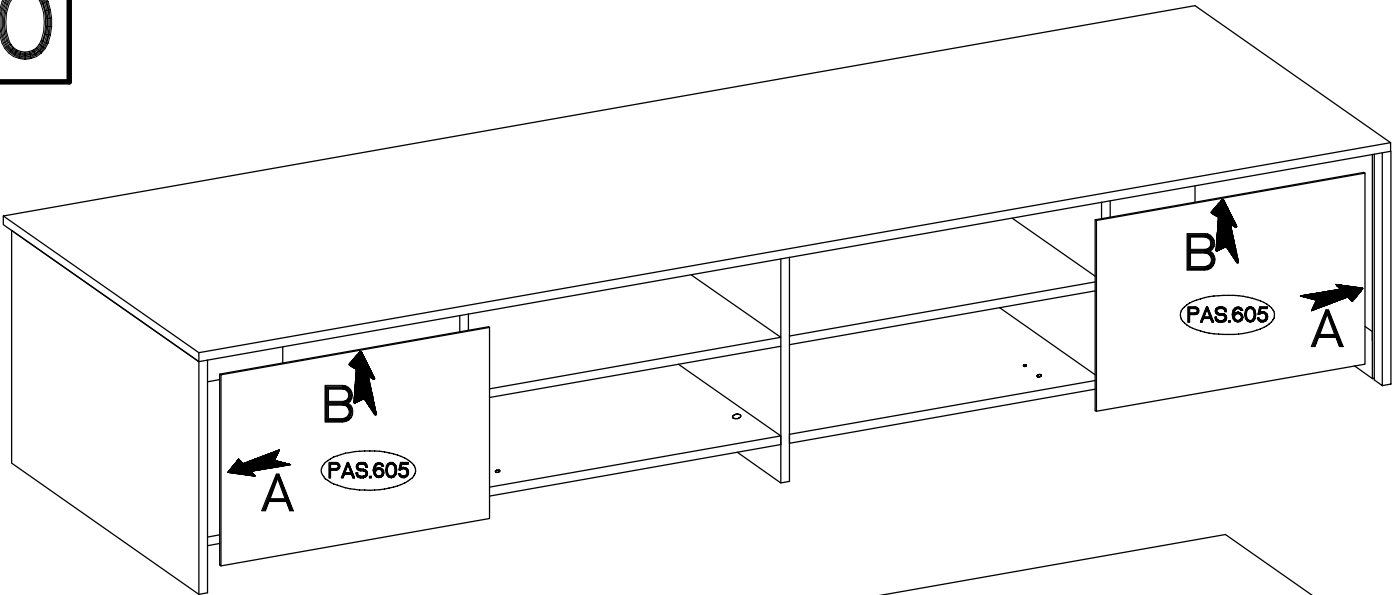
8

4.0x16mm
P1
1



9





L	L2	P7
4	6	24

∅3.0x20mm

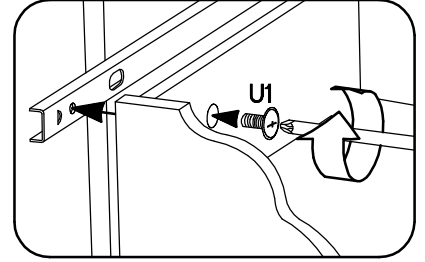
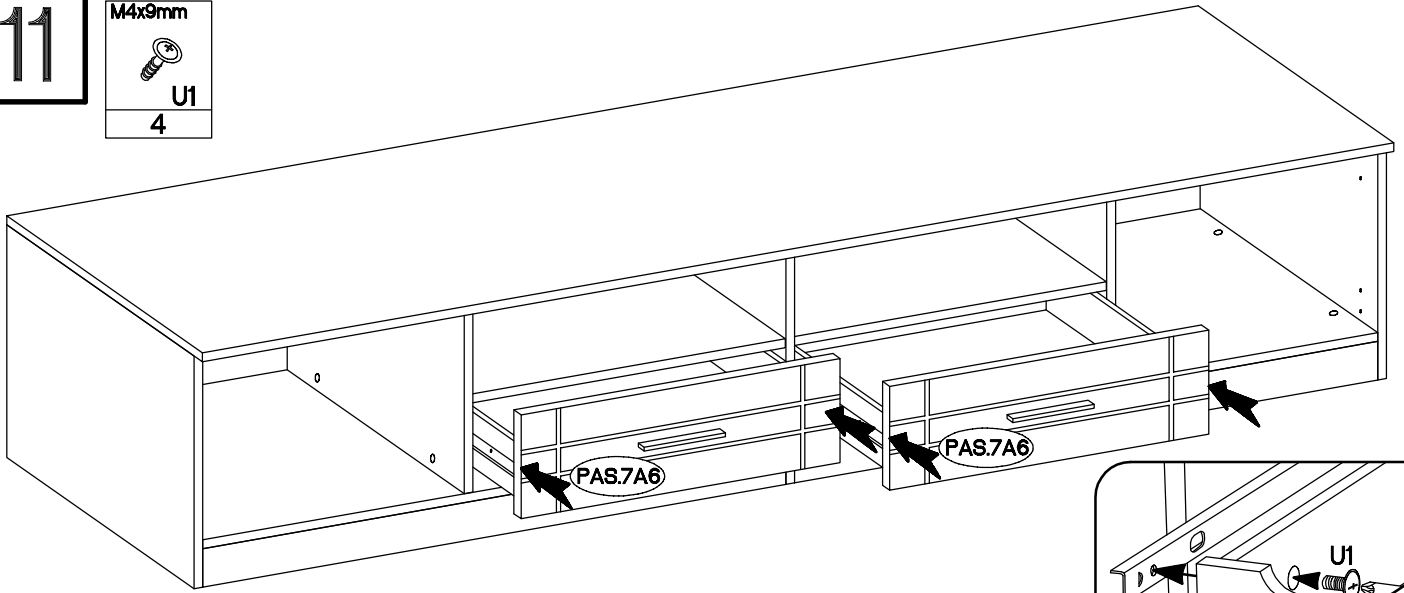
11

M4x9mm

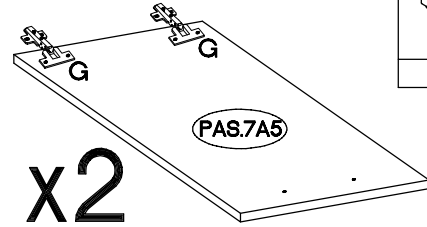
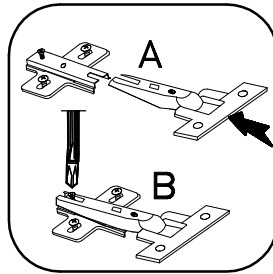
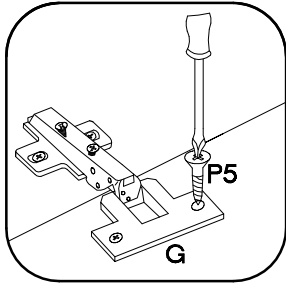


U1

4



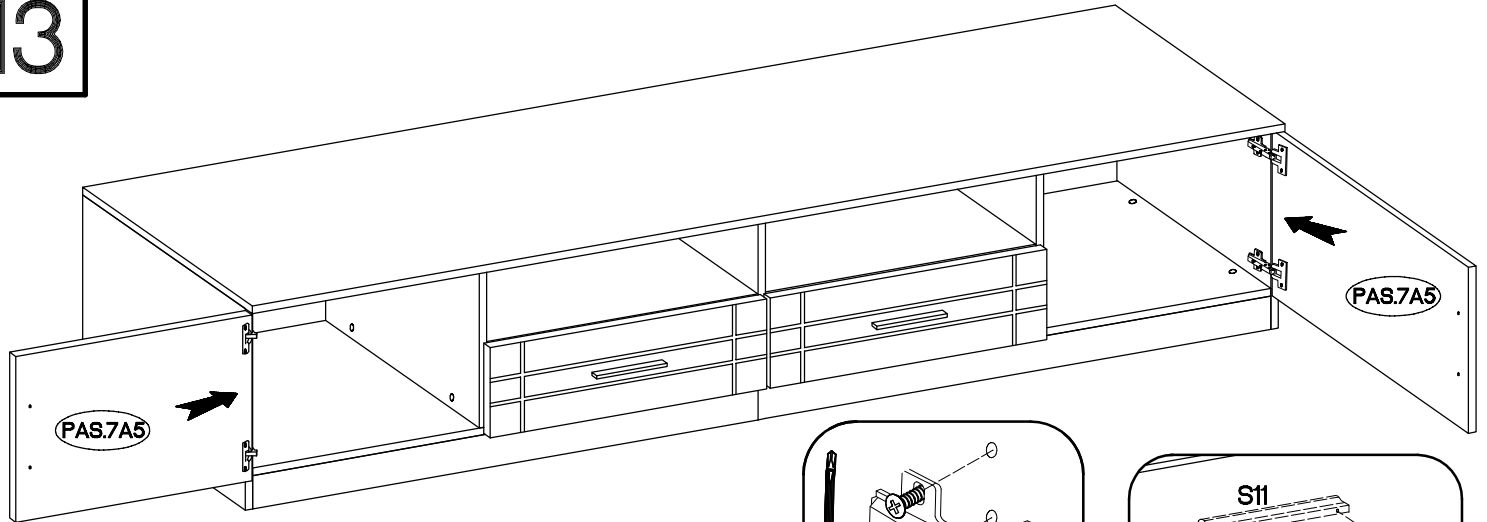
12



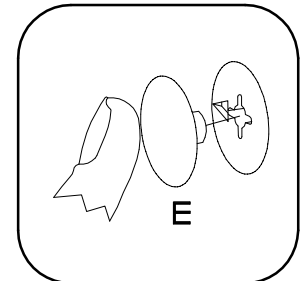
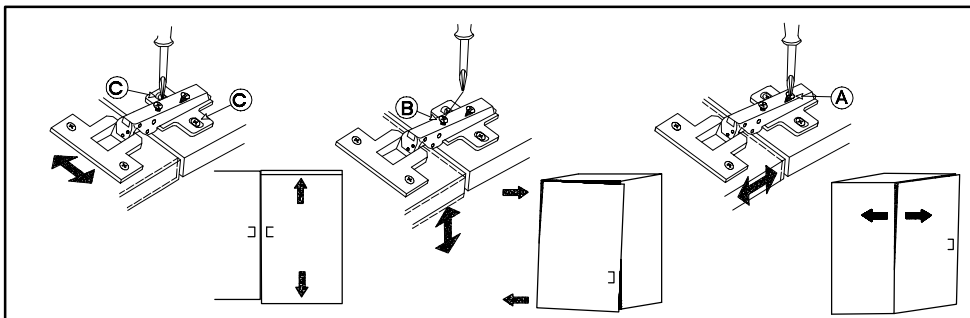
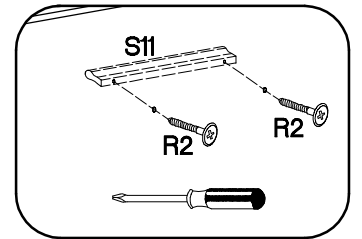
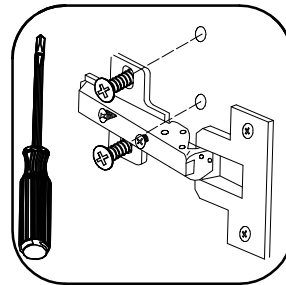
x2

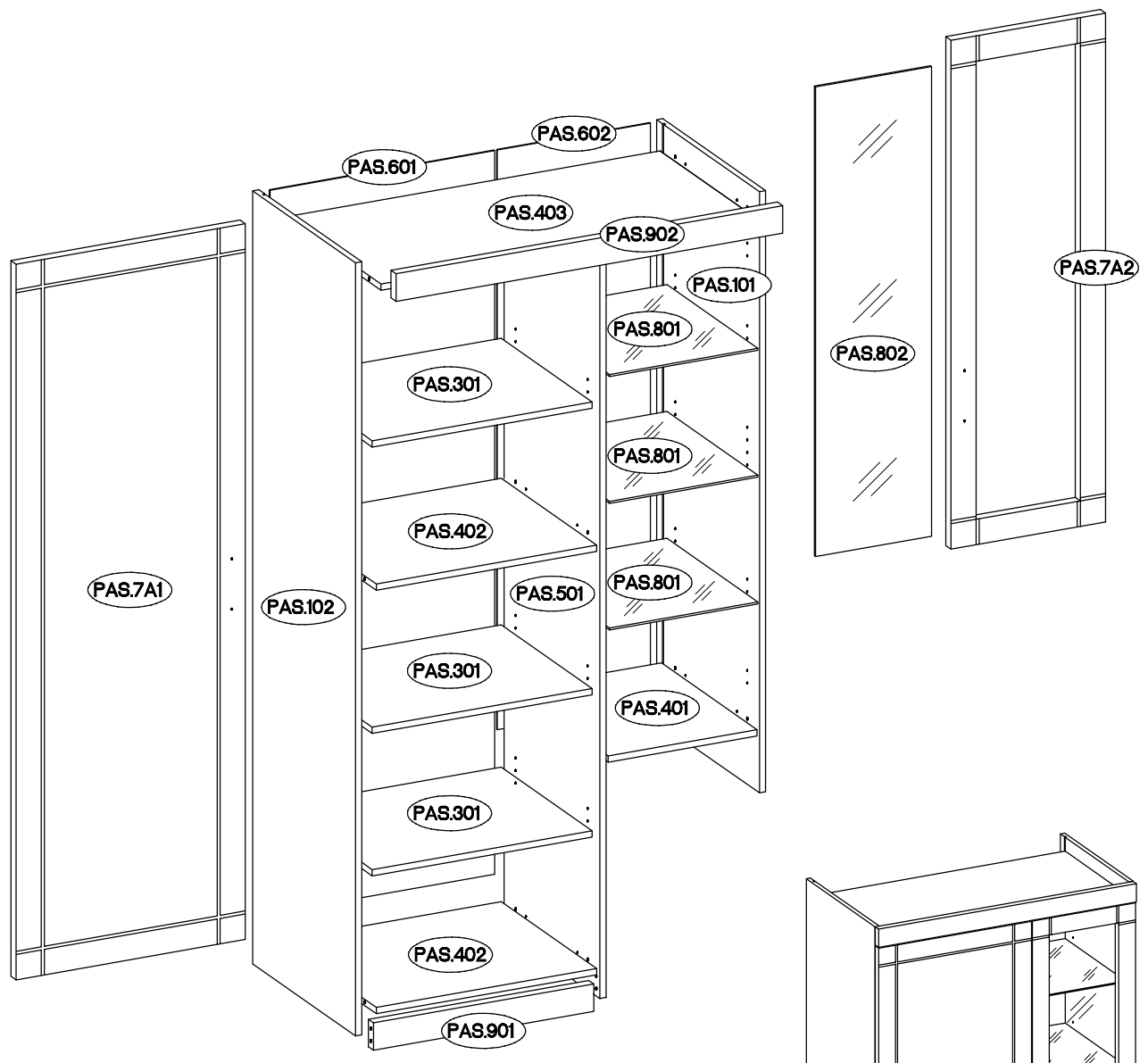
H-0	±3.5x13mm
H	P5
4	8
	±35/0mm
	G
	4

13



	±4.0x30mm	L=128mm
E	R2	S11
18	4	2



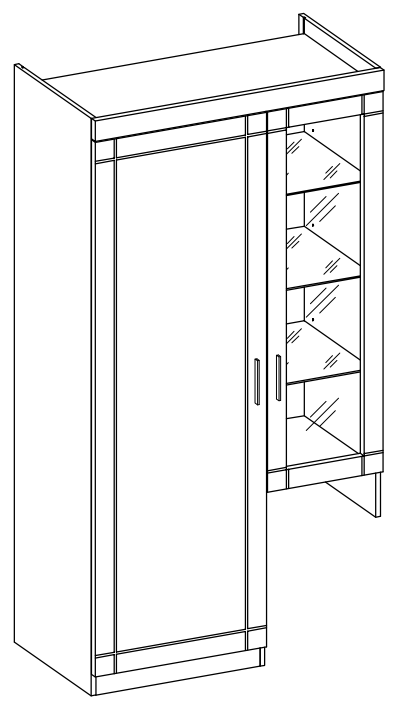


PAS.301 = max. 5kg

PAS.402

PAS.401




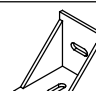


PAS.801 = max. 5kg

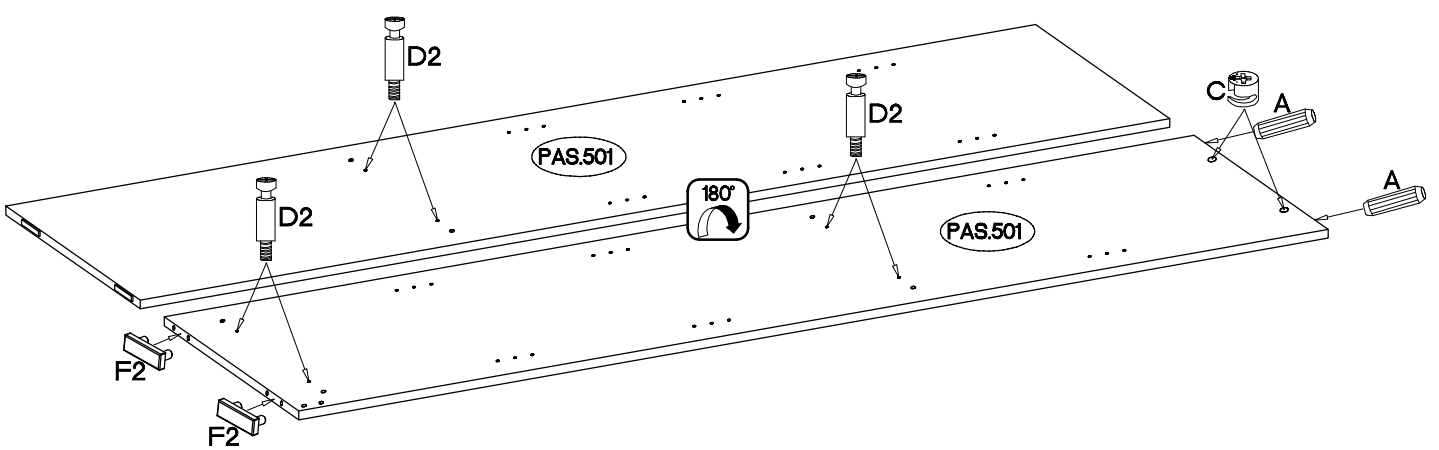
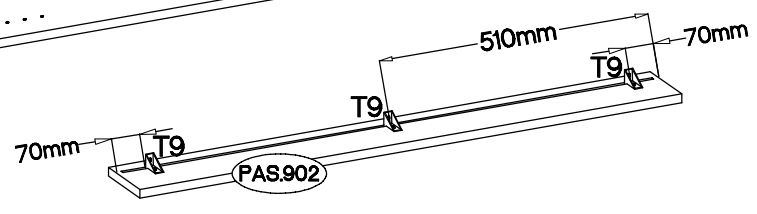
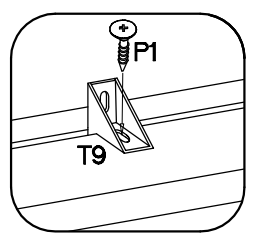
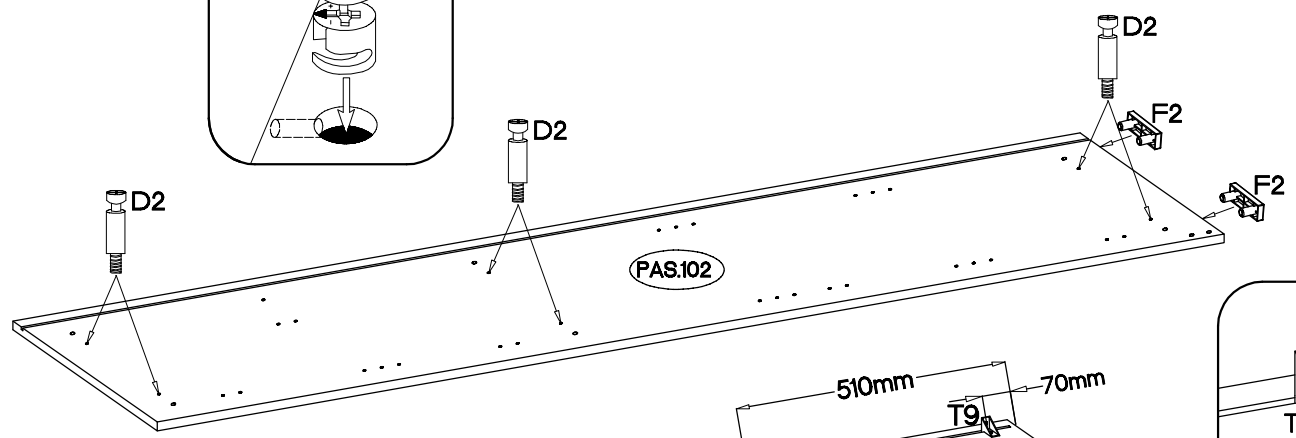
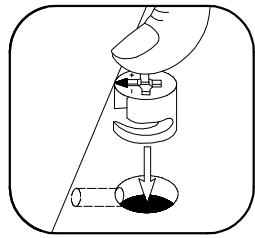
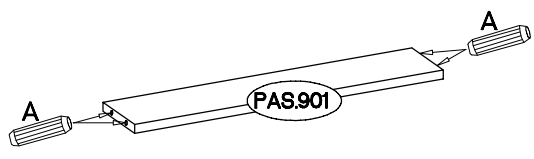
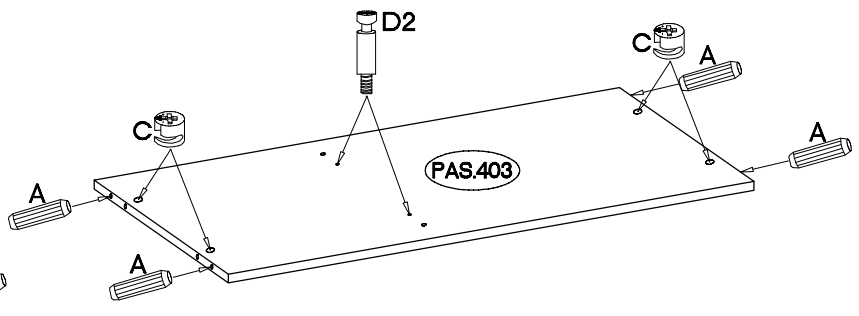
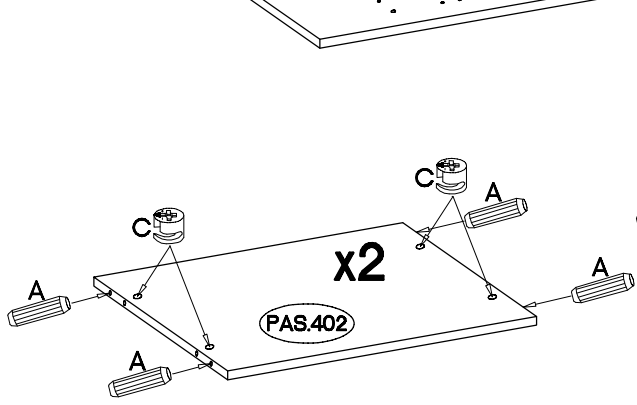
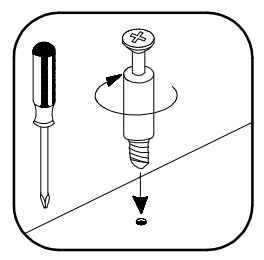
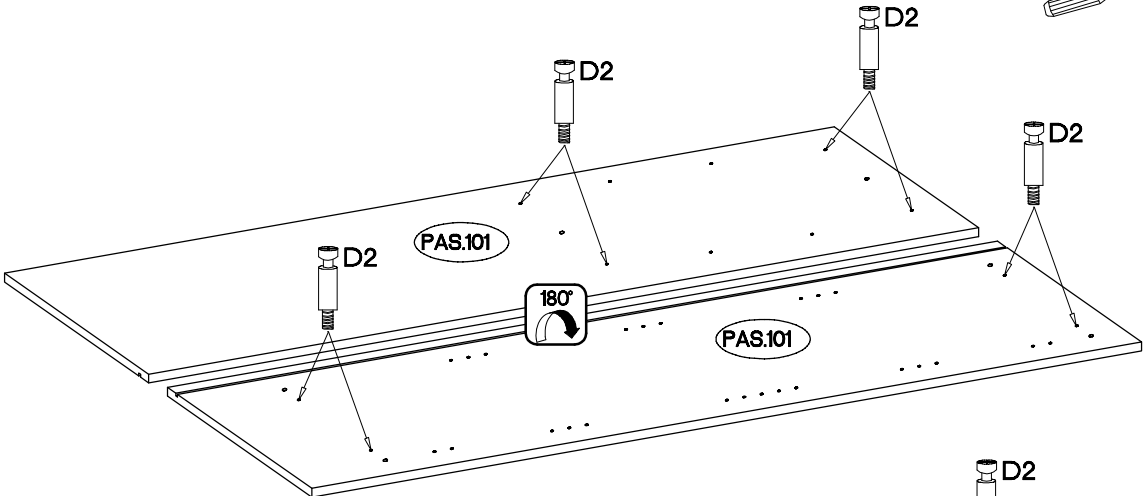
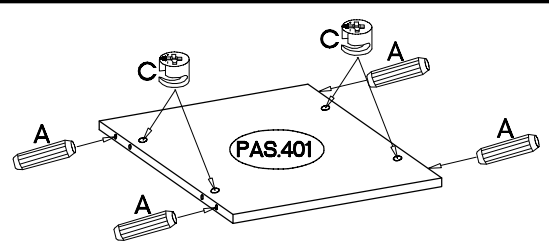


 P11 10	 O7 1
---------------	-------------

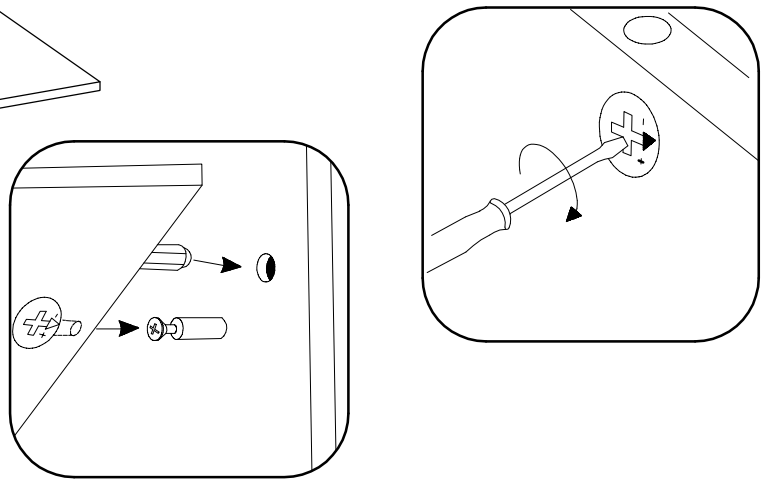
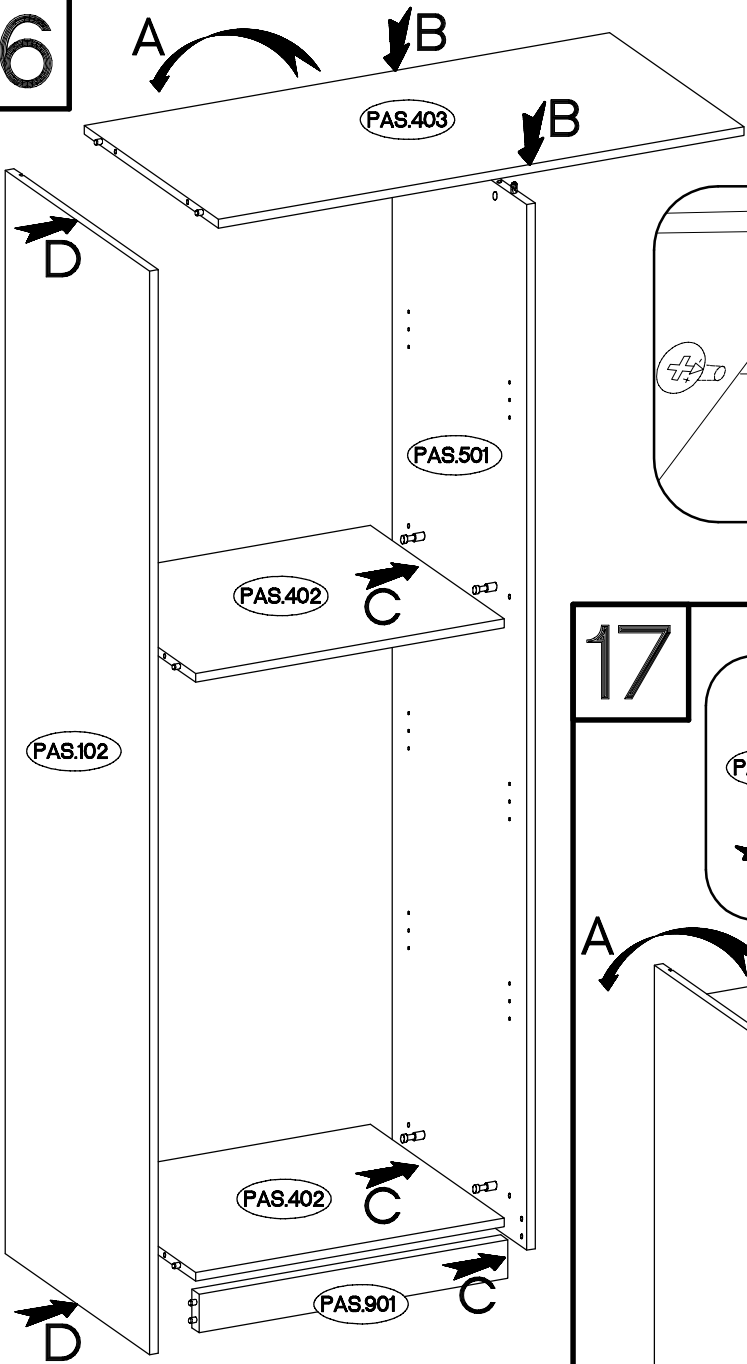
 R 2	 L19 1	 P12 1	 J8 10	 J12 12	 J3 12	 F2 4	 P1 6	 T9 3	 L2 8	 P7 27
 C 18	 A 22	 D2 22	 E 18	 G 7	 H 7	 S11 2	 P5 16	 R2 4	 L 9	

2B :

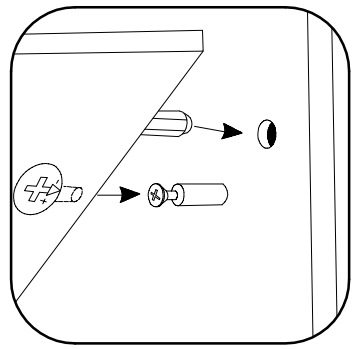
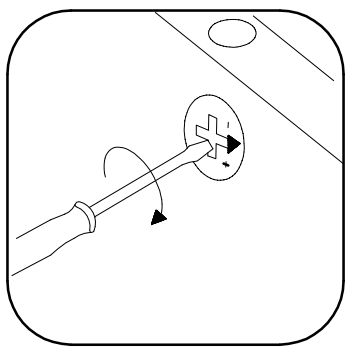
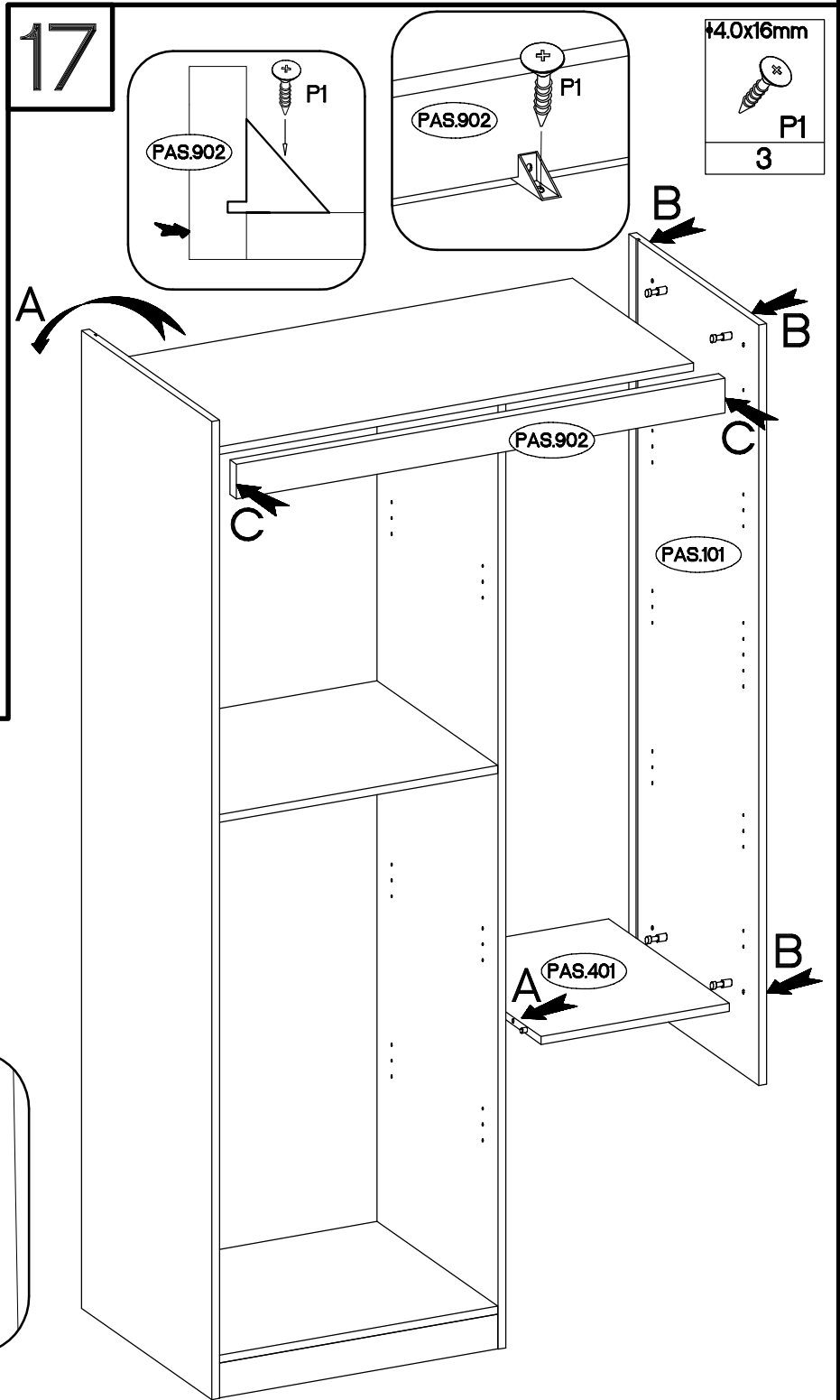
 ‡15/12mm C 18	 ‡8x30mm A 22	 L=20mm D2 22	 T9 3	 ‡4.0x16mm P1 3	 6.5x48x16 F2 4
--	---	---	---	---	---



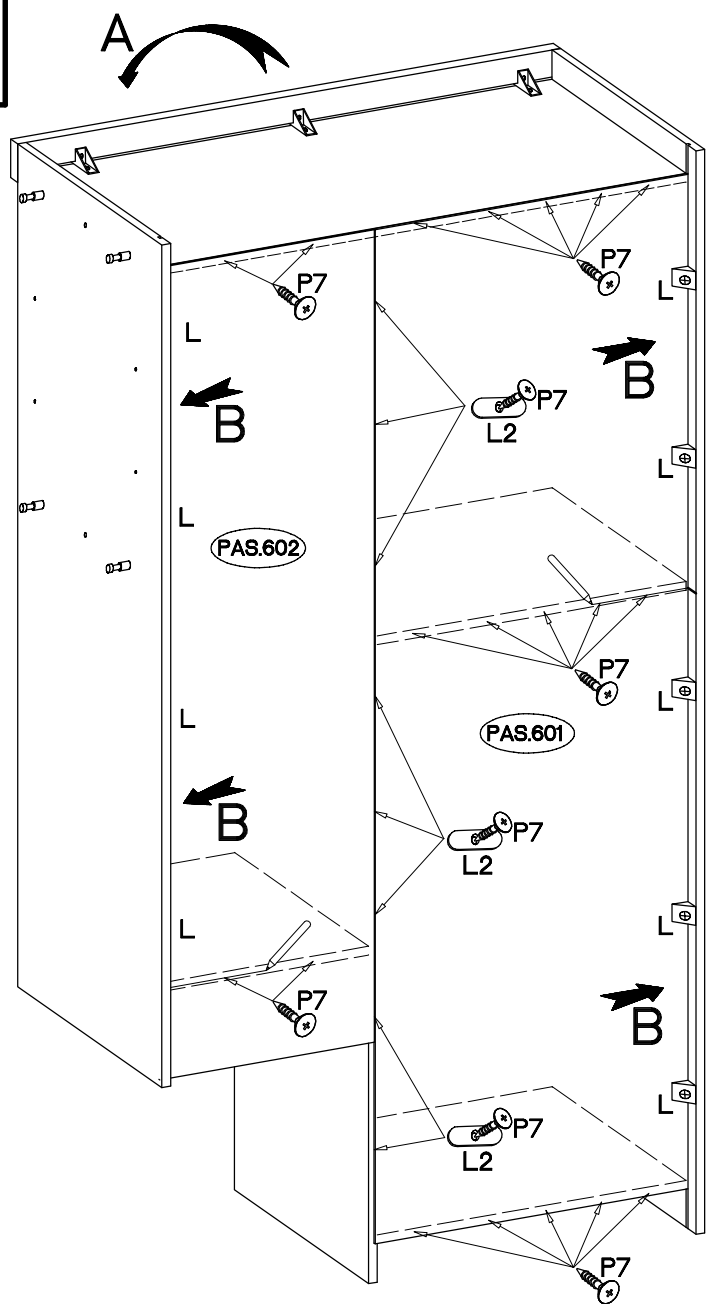
16



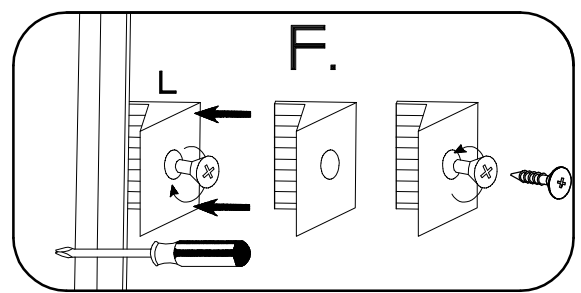
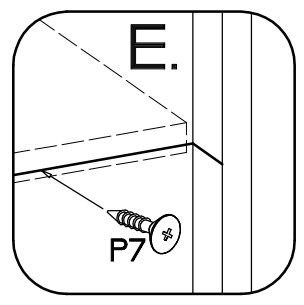
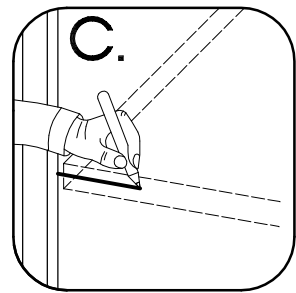
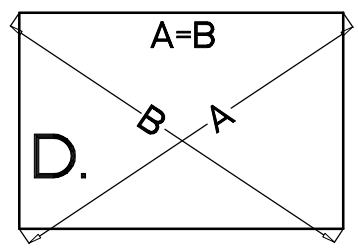
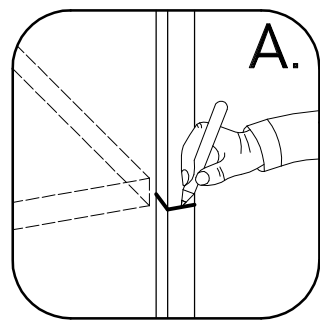
17



18



	$\pm 3.0 \times 20 \text{mm}$		
L2		P7	L
8		27	9

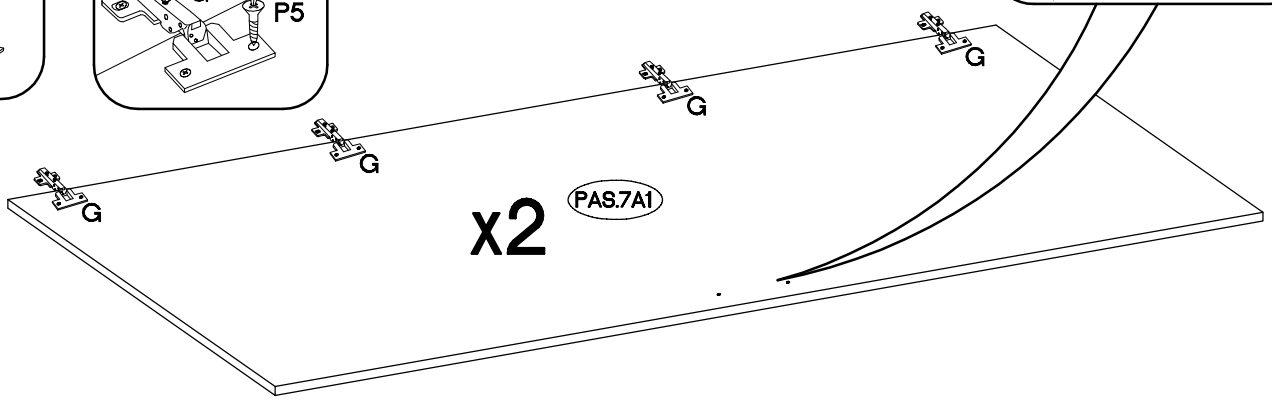
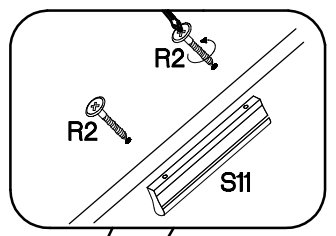
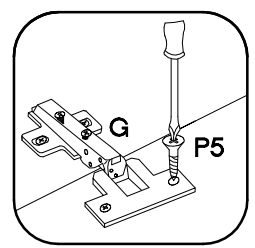
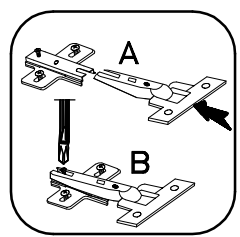


19




$\pm 35/0 \text{mm}$	H=0	$\pm 3.5 \times 13 \text{mm}$	$\pm 4.0 \times 30 \text{mm}$	L=128mm
G	H	P5	R2	S1
4	4	8	4	2

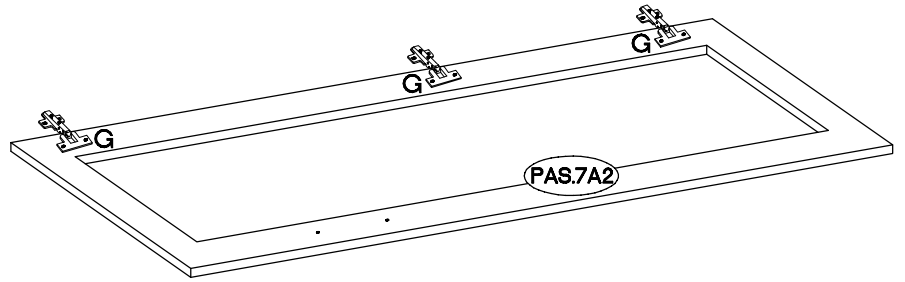
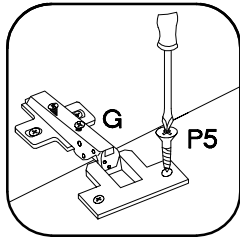
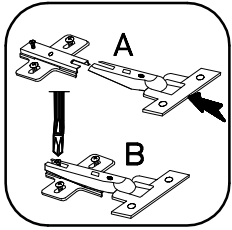
Typ 131 x1

Typ 135 x1

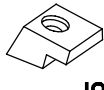



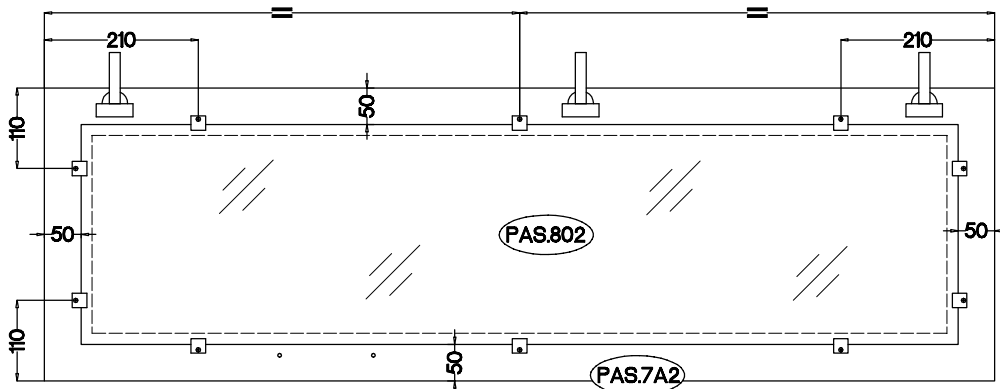
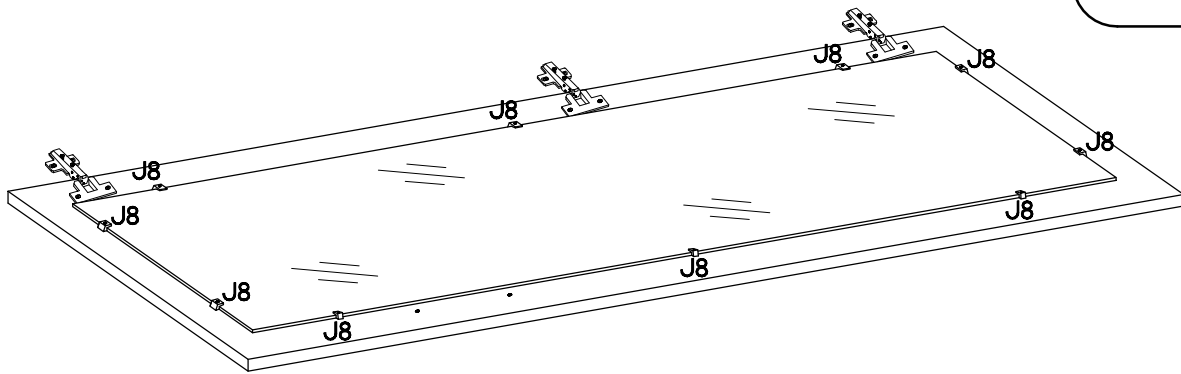
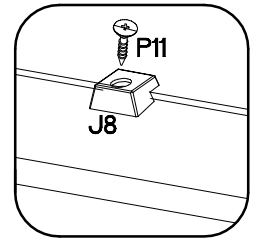
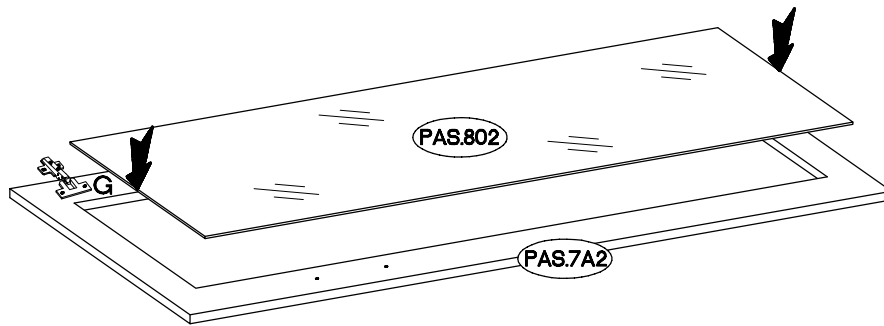
20

±35/0mm  G 3	H=0  H 3	±3.5x13mm  P5 6
---	---	--

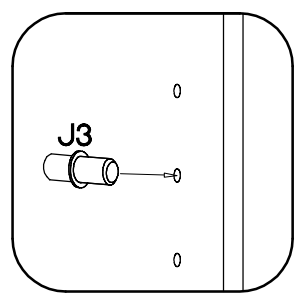
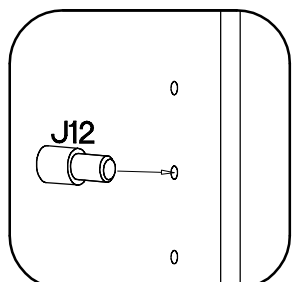
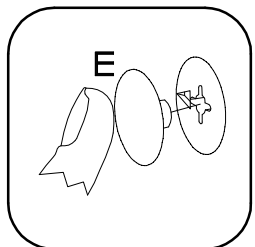
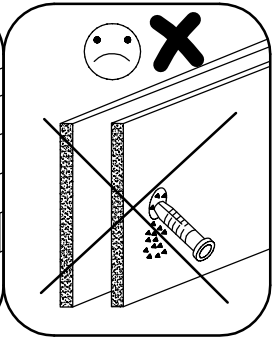
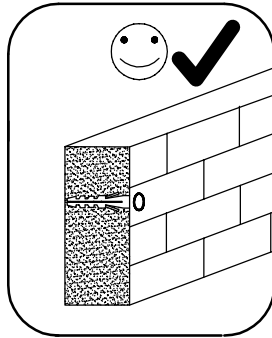
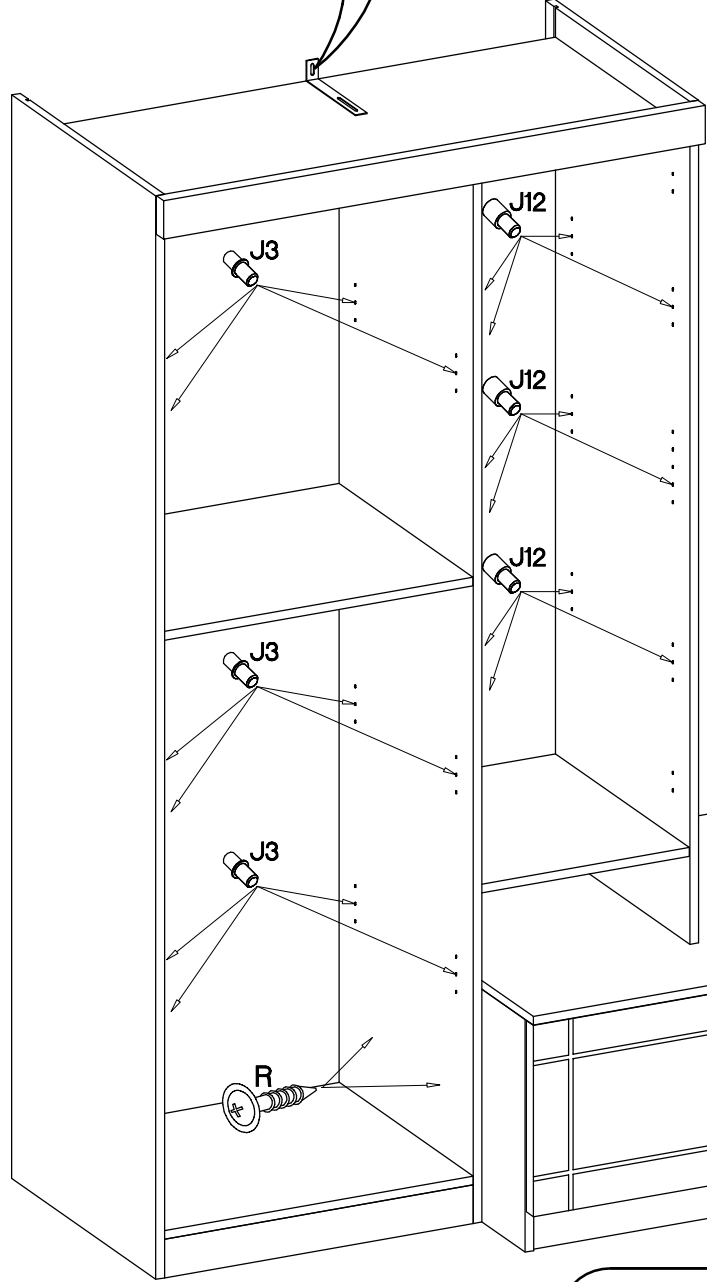
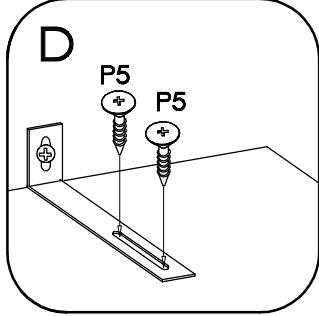
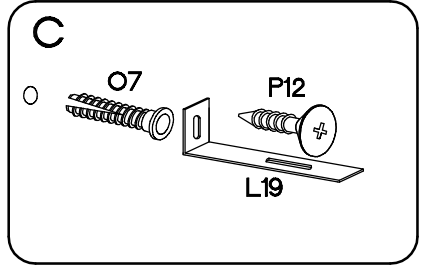
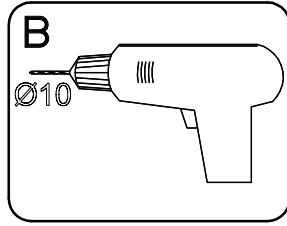
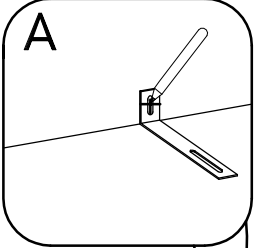
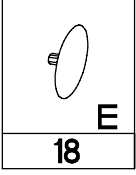


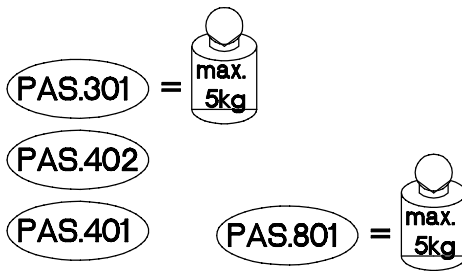
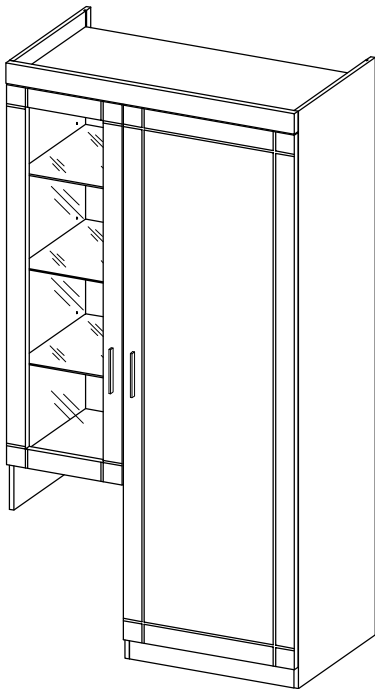
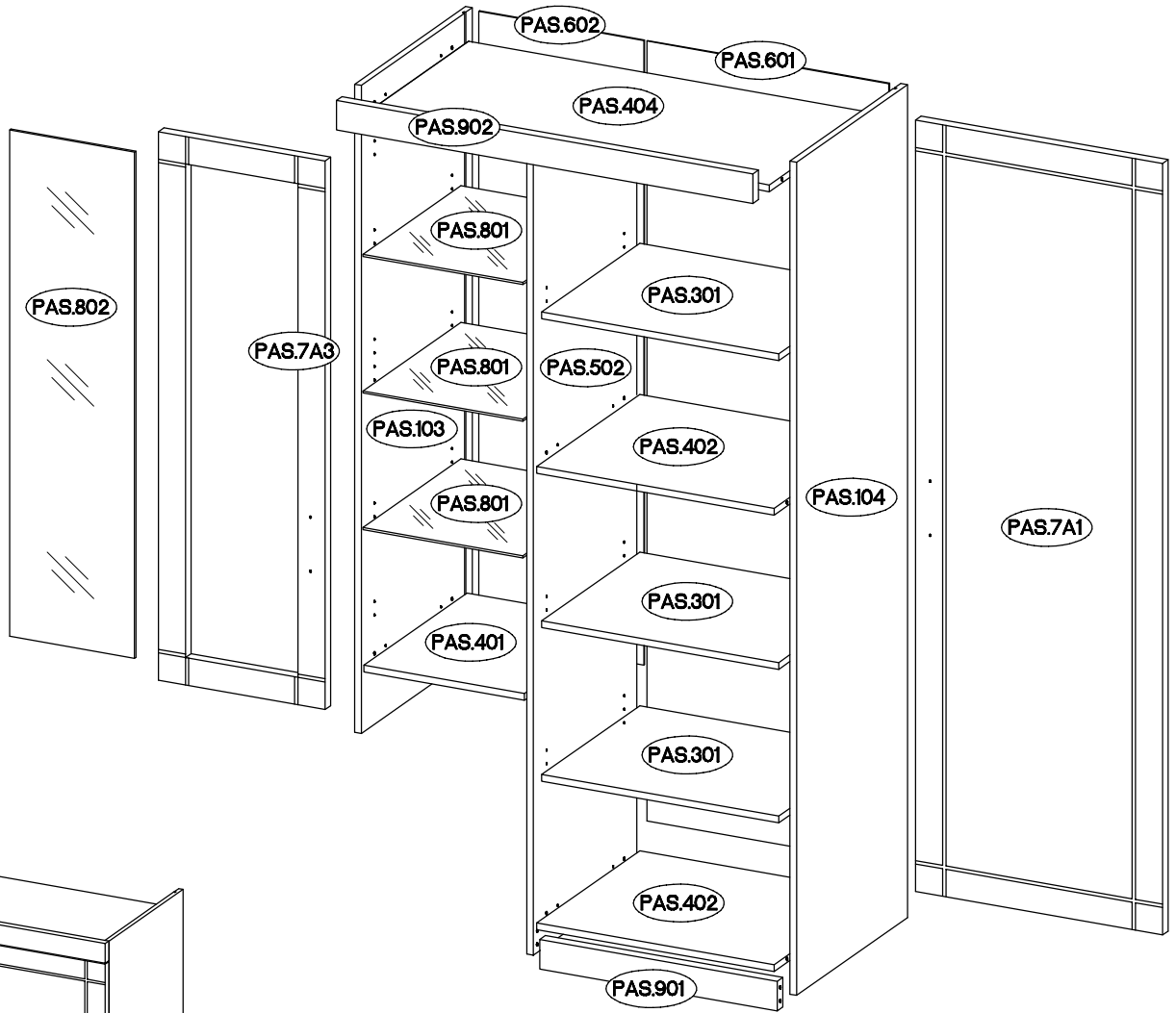
21




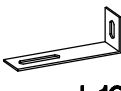

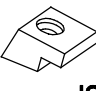
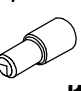
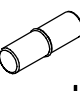



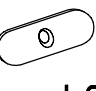


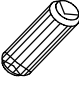

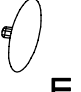
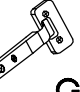

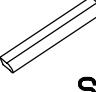



 J8 10	±3.0x16mm  P11 10
---	---


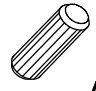
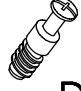


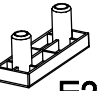


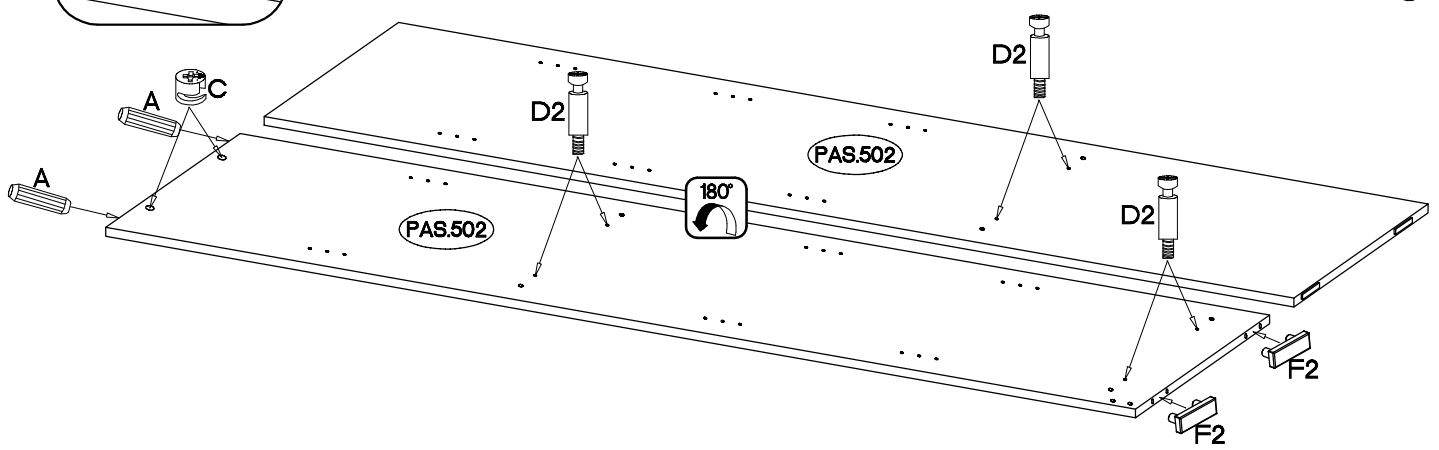
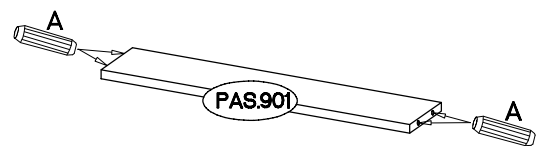
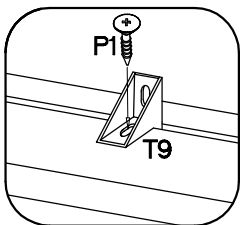
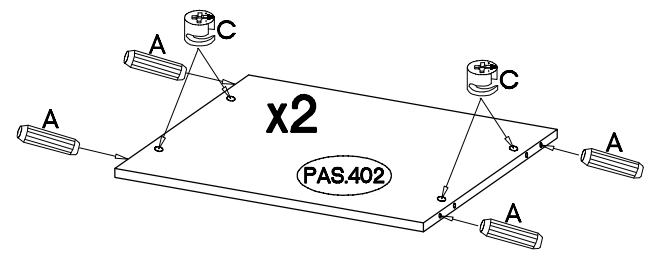
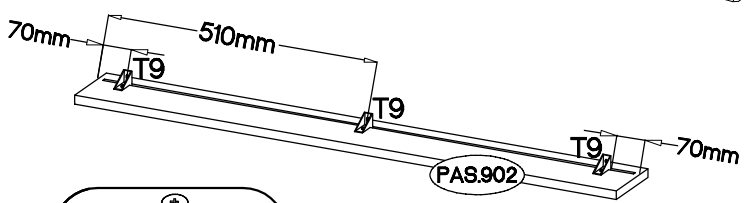
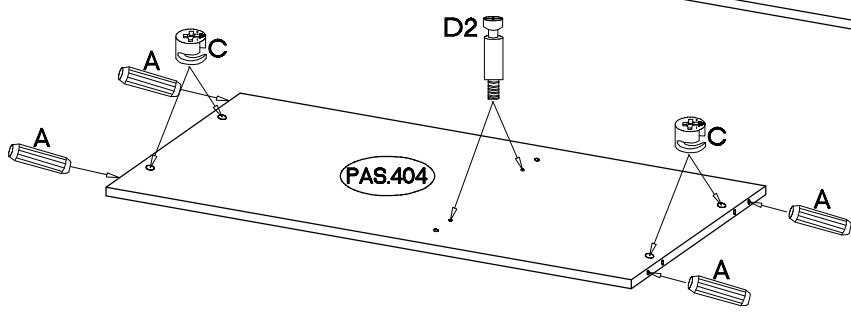
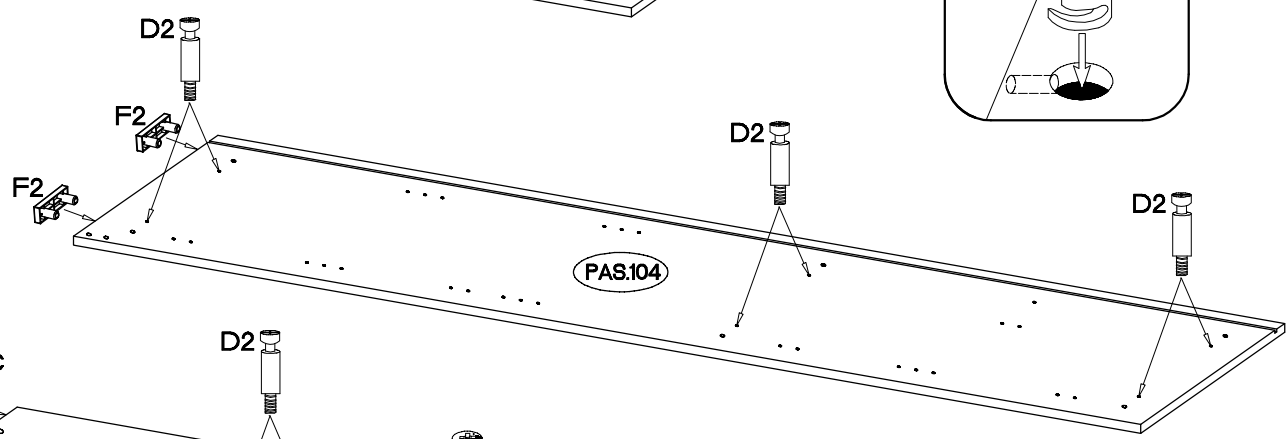
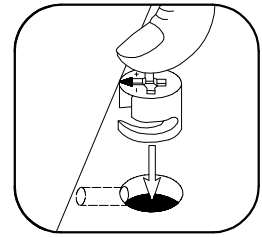
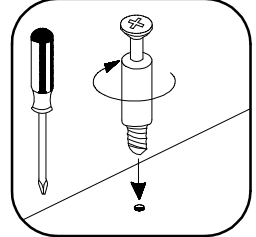
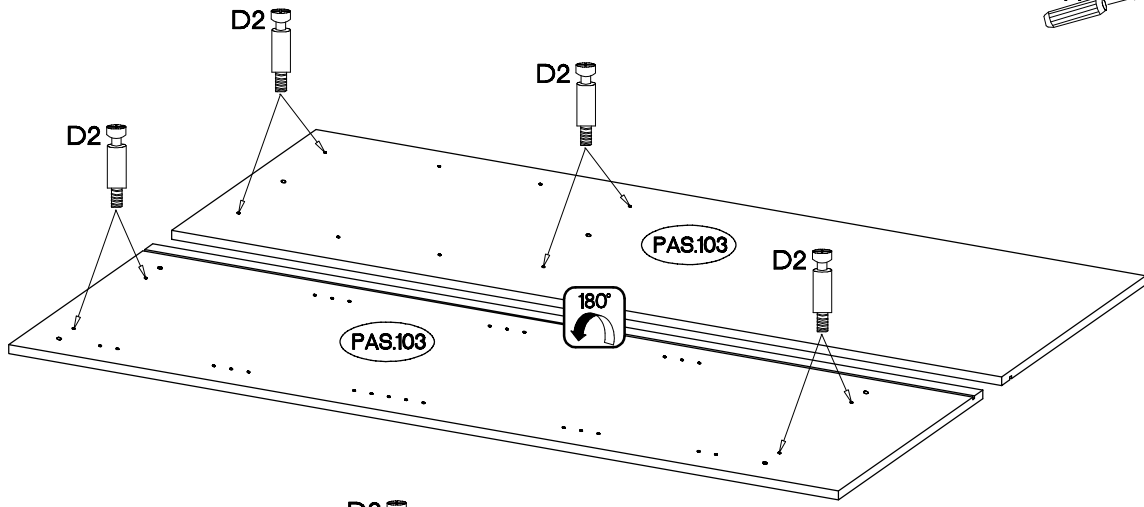
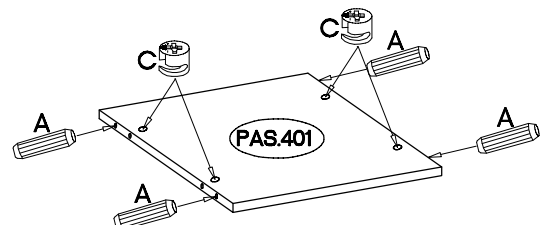
±3.5x13mm		±5.0x60mm	±10x50mm	±4.0x25mm	±5/16mm	
P5	L19	P12	O7	R	J12	J3
2	1	1	1	2	12	12



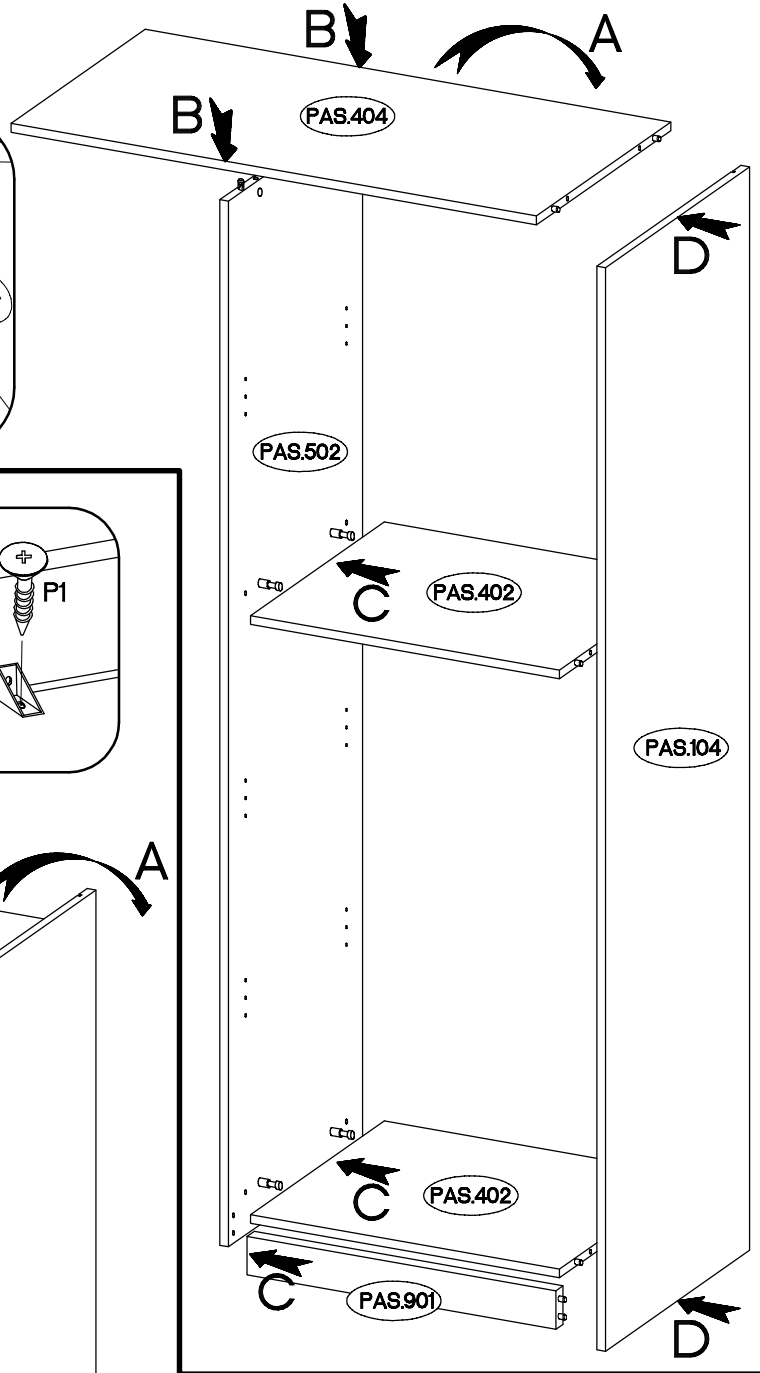
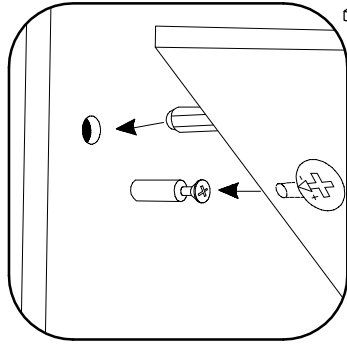
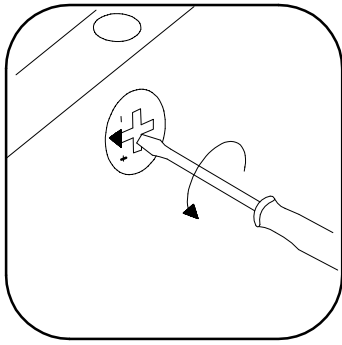


								 †3.0x16mm P11 10	 †4.0x25mm R 2	 †10x50mm O7 1
 L19 1	 †5.0x60mm P12 1	 J8 10	 †5/16mm J12 12	 J3 12	 6.5x48x16 F2 4	 †4.0x16mm P1 6	 T9 3	 L2 8	 †3.0x20mm P7 27	
 †15/12mm C 18	 †8x30mm A 22	 L=20mm D2 22	 E 18	 †35/0mm G 7	 H=0 H 7	 L=128mm S11 2	 †3.5x13mm P5 16	 †4.0x30mm R2 4	 L 9	

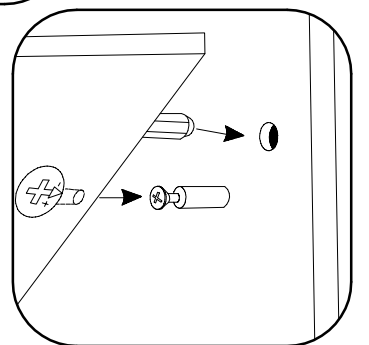
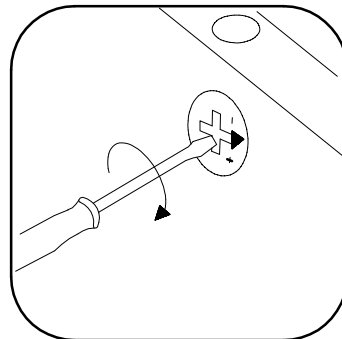
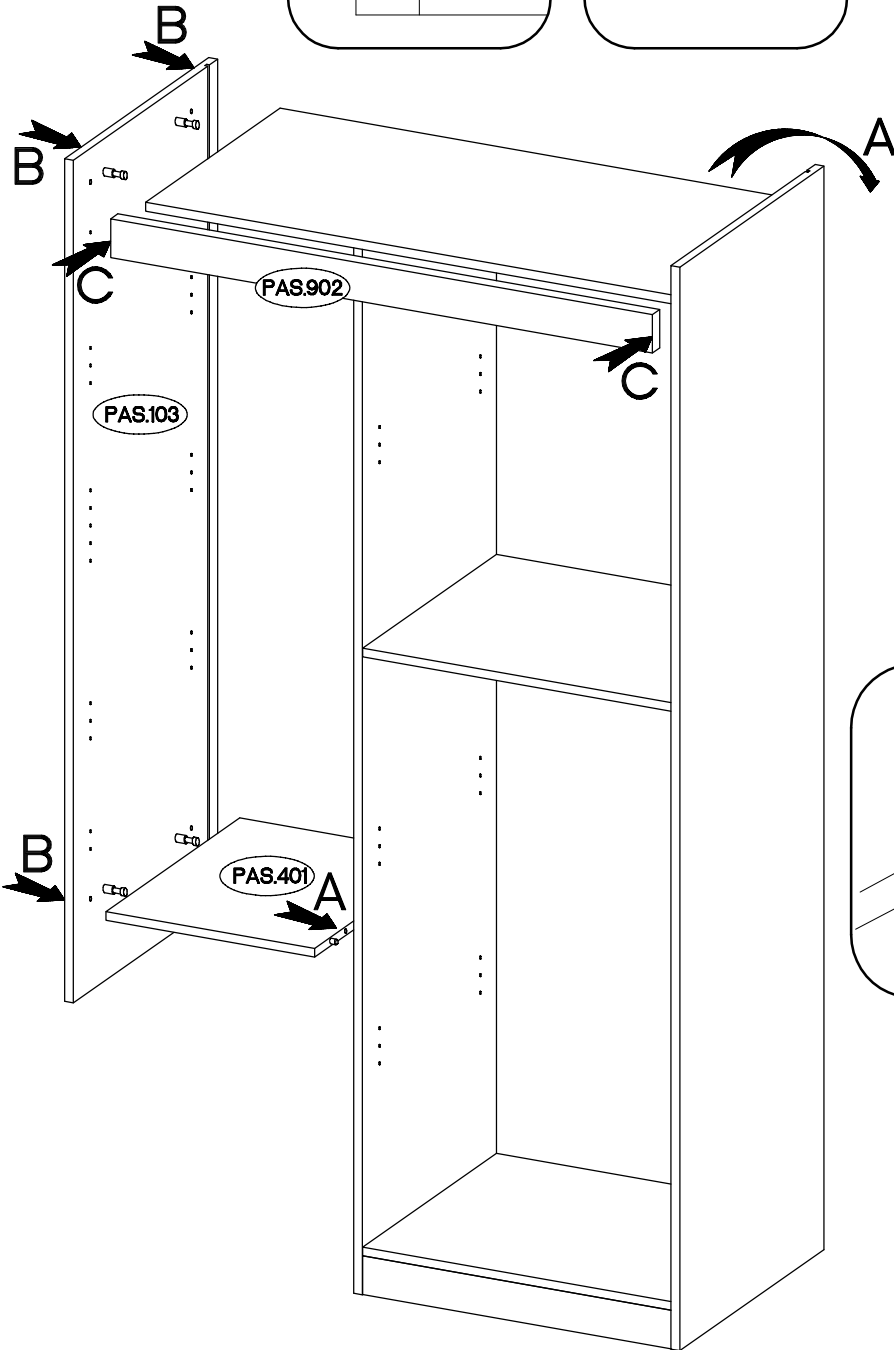
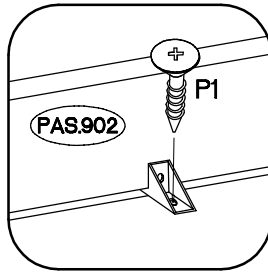
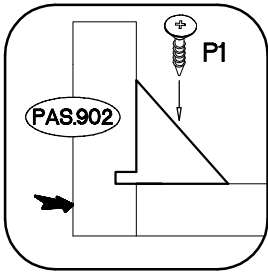
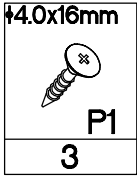
$\varnothing 5/12\text{mm}$ 	$\varnothing 8 \times 30\text{mm}$ 	L=20mm 	$\varnothing 4.0 \times 16\text{mm}$ 		6.5x48x16 
C 18	A 22	D2 22	P1 3	T9 3	F2 4

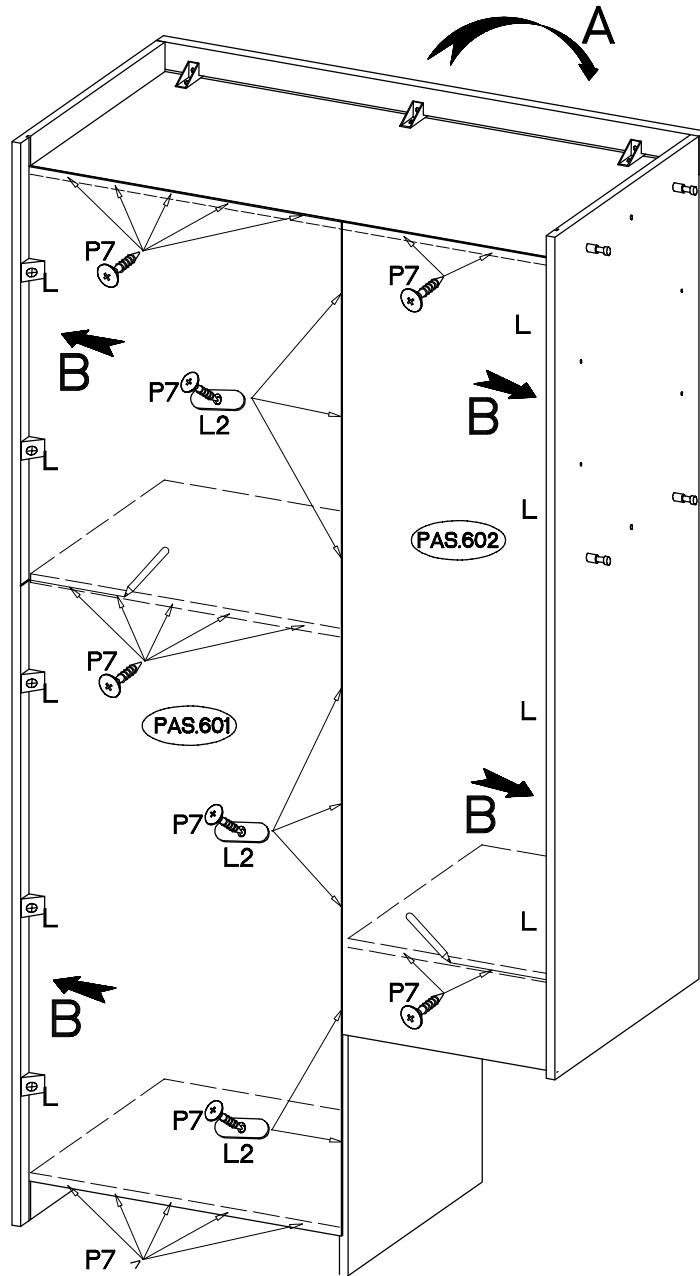



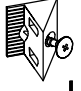
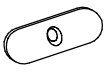
25

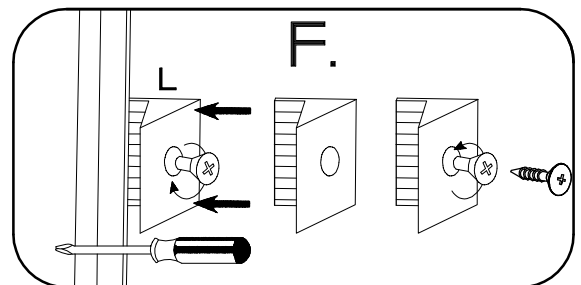
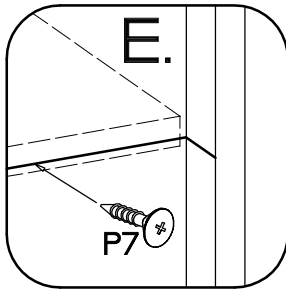
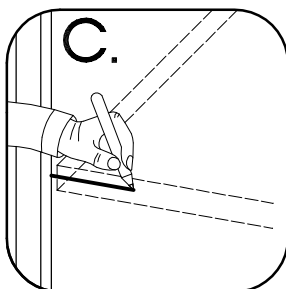
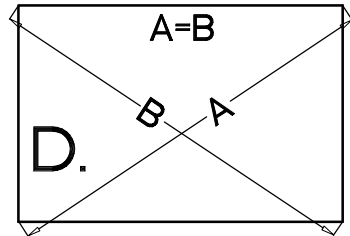
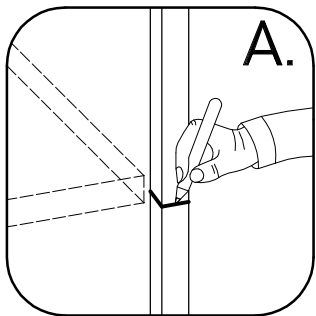


26

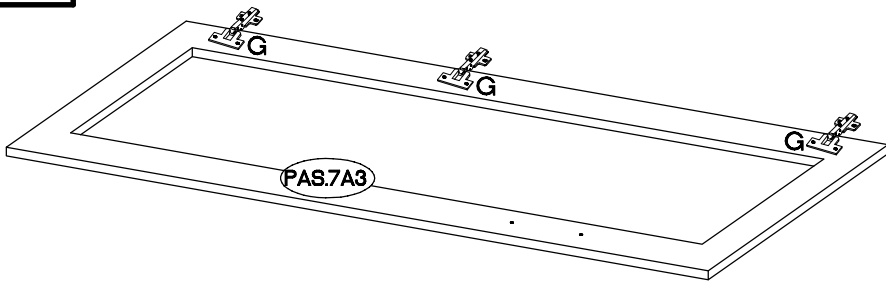




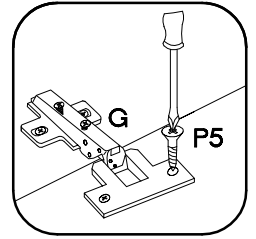
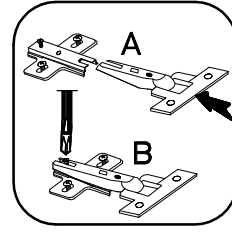
 P7 27	 L 9
	 L2 8



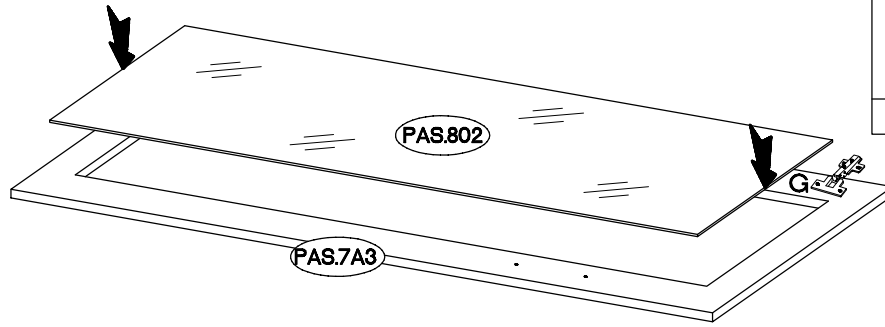
28



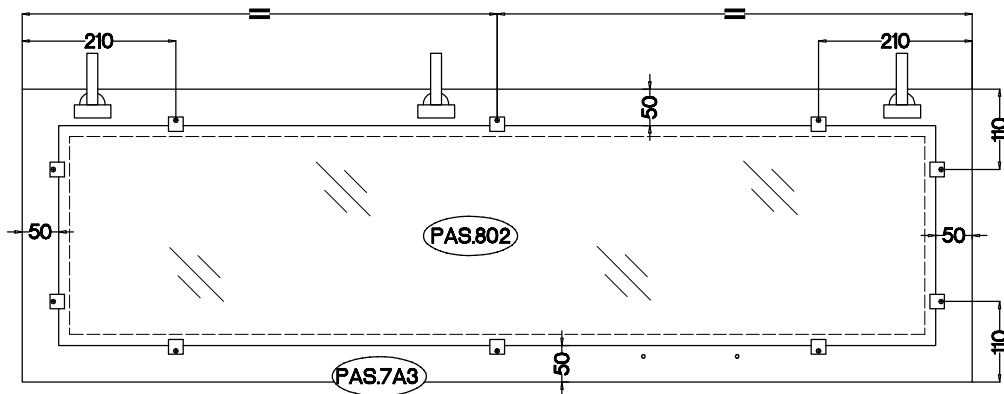
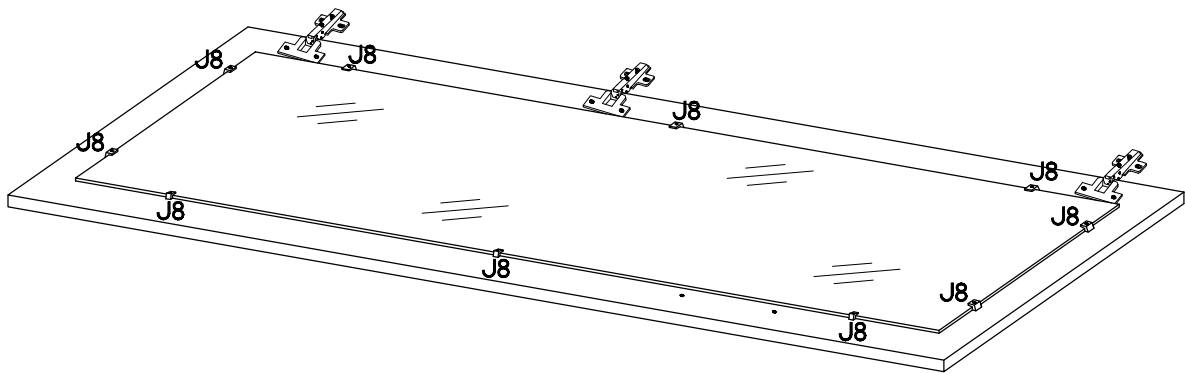
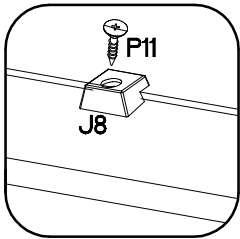
±35/0mm G 3	H=0 H 3	±3.5x13mm P5 6
-----------------------	-------------------	--------------------------






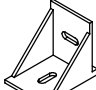

29

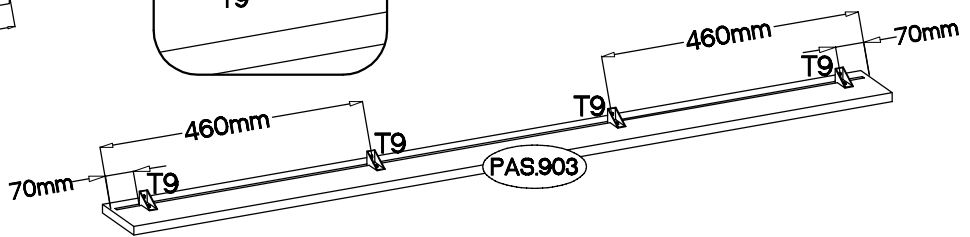
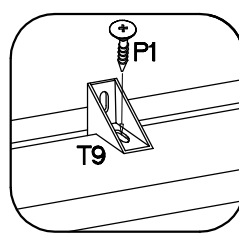
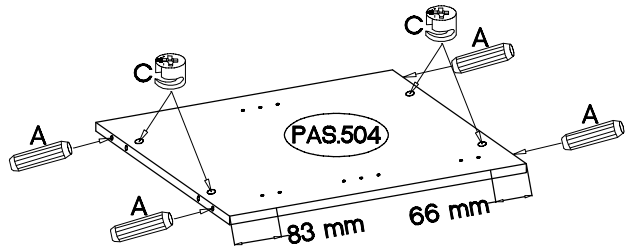
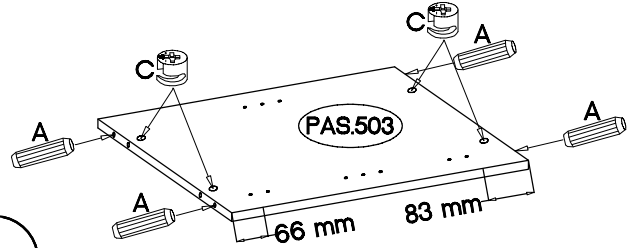
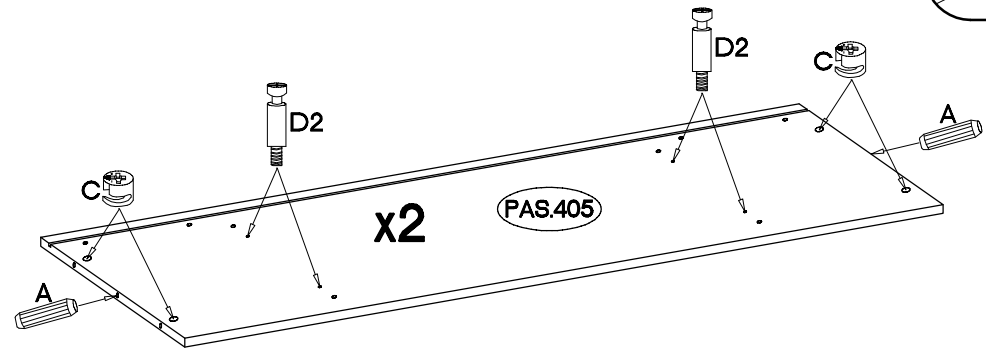
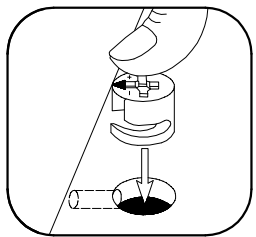
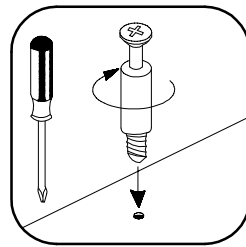


 J8 10	±3.0x16mm P11 10
--------------	----------------------------

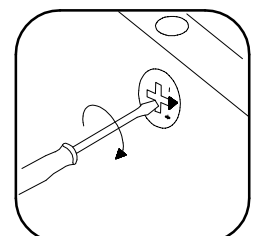
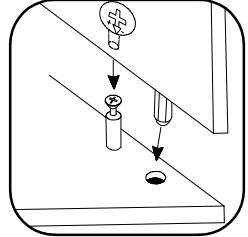
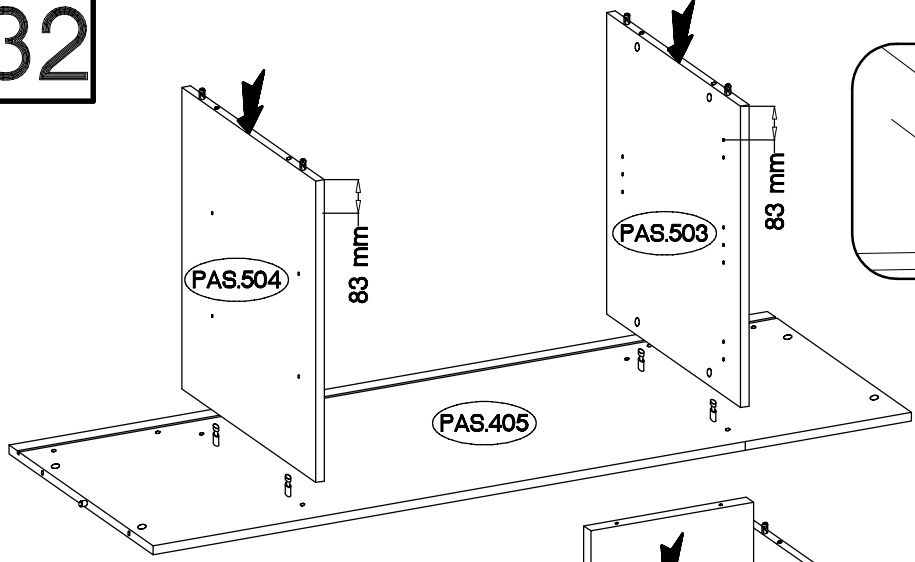



31


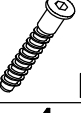
 ‡15/12mm C 16	 ‡8x30mm A 12	 L=20mm D2 8	 T9 4	 ‡4.0x16mm P1 4
--	---	--	---	---

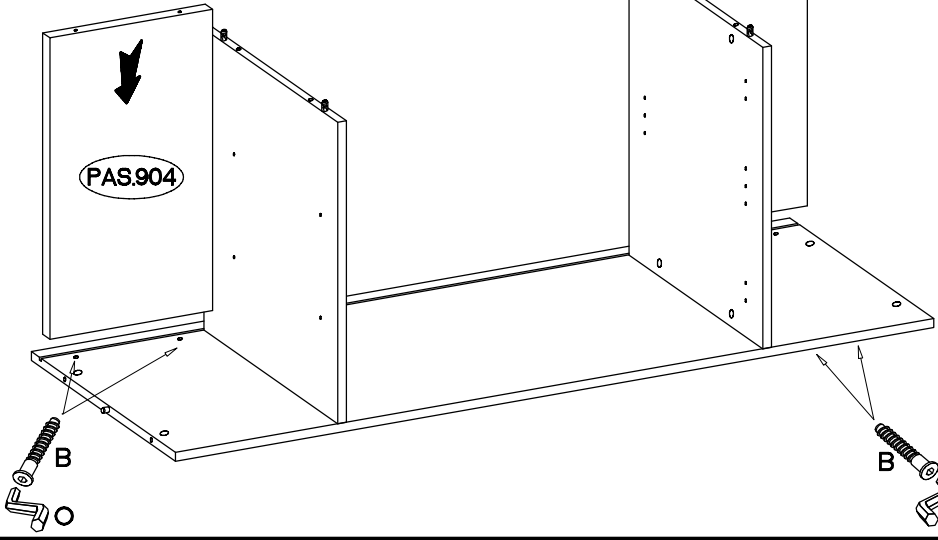
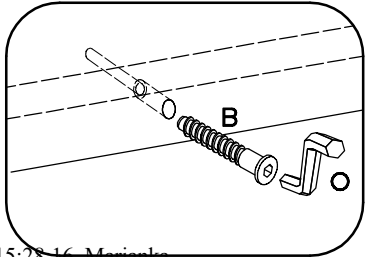


32



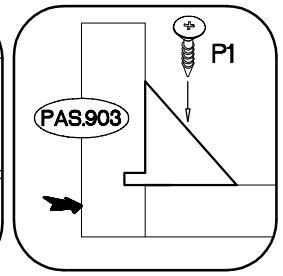
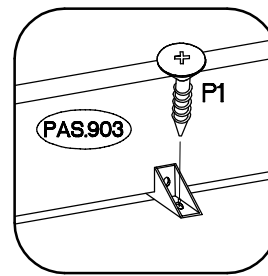
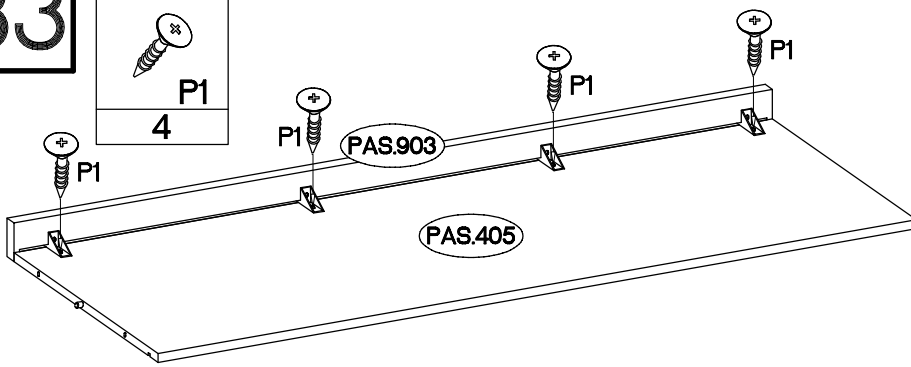
 O 1

 E1 4 6,4 x 50mm
 B 4

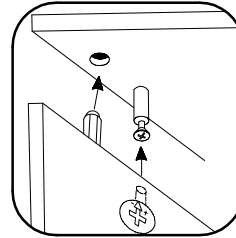
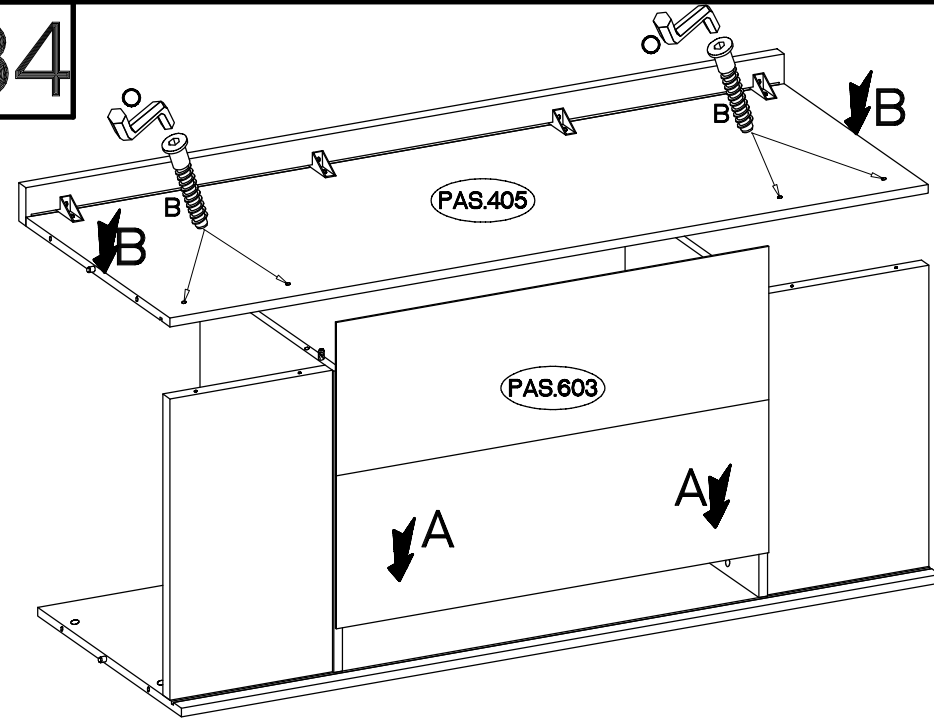


33

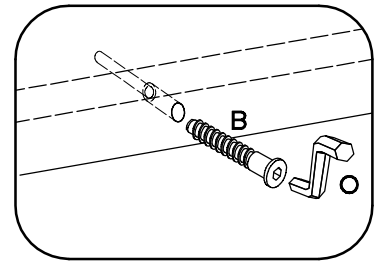
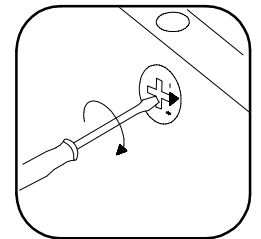
4.0x16mm
P1
4



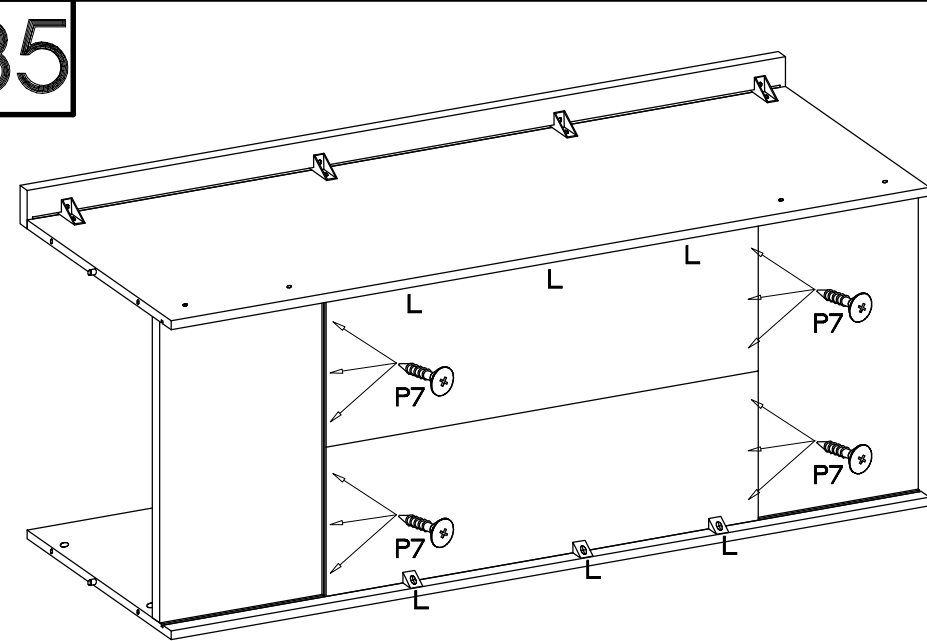
34



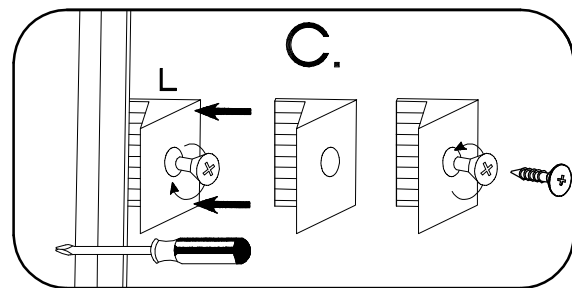
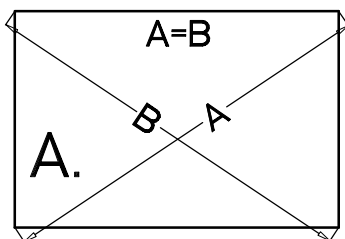
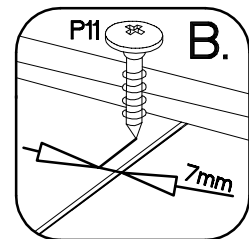
6,4 x 50mm
1 O 4 B



35



3.0x20mm
P7 12 L 6



36

±3.5x13mm

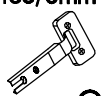


P5

8

±35/0mm

H=0



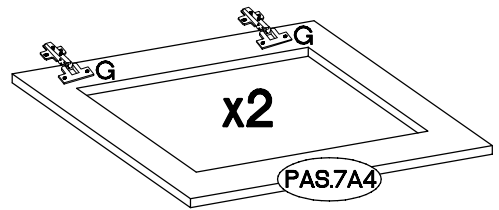
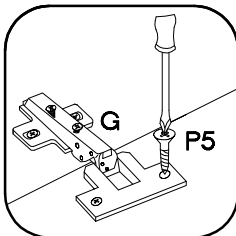
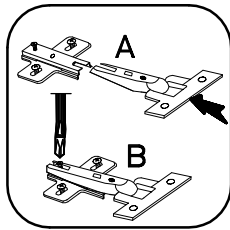
G

4

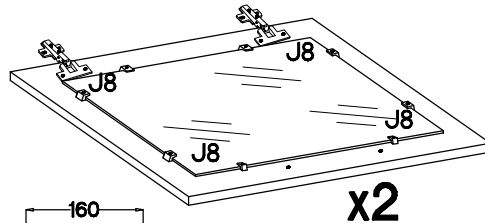
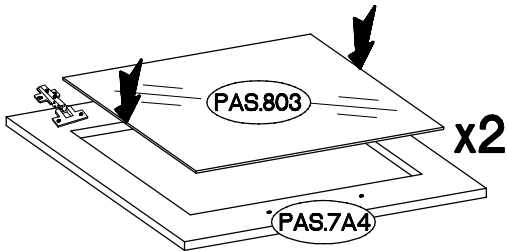


H

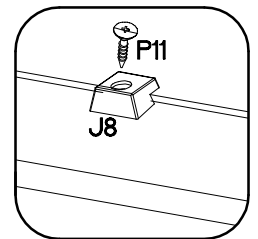
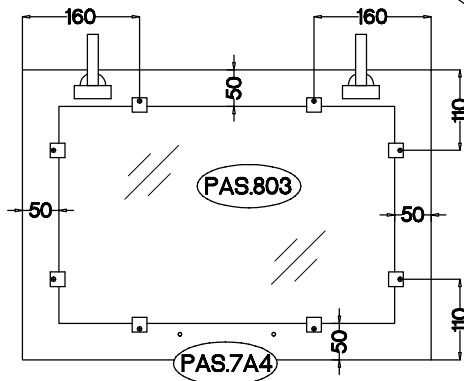
4



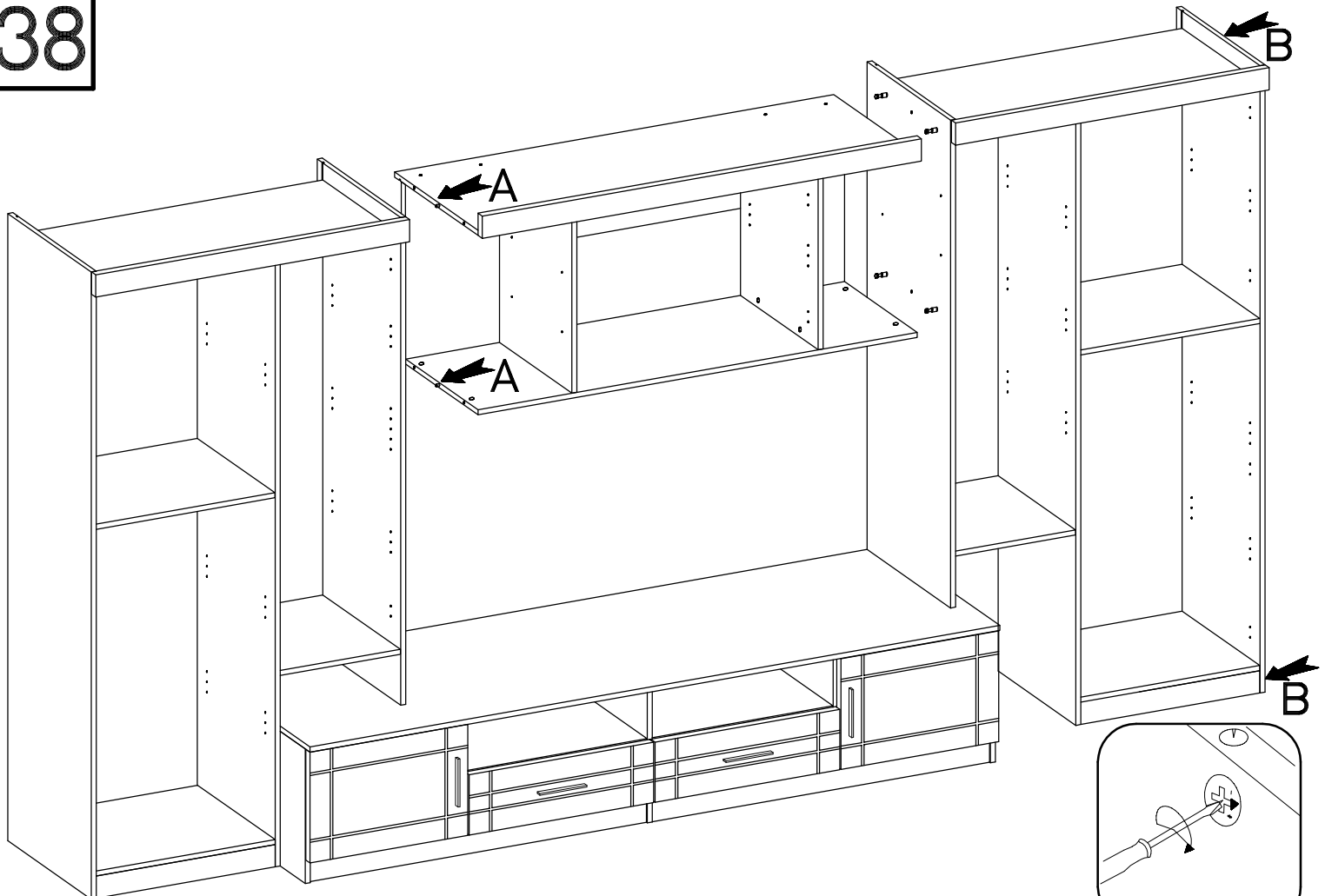
37

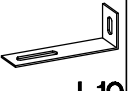






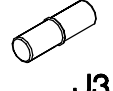
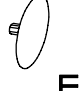
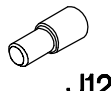
	±3.0x16mm
J8	P11
16	16

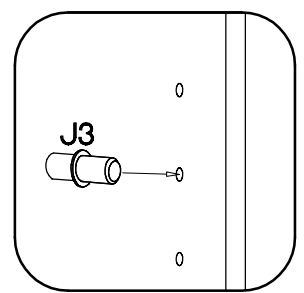
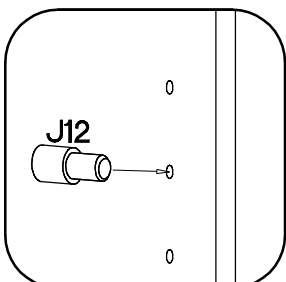
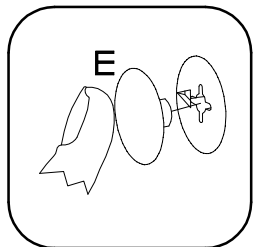
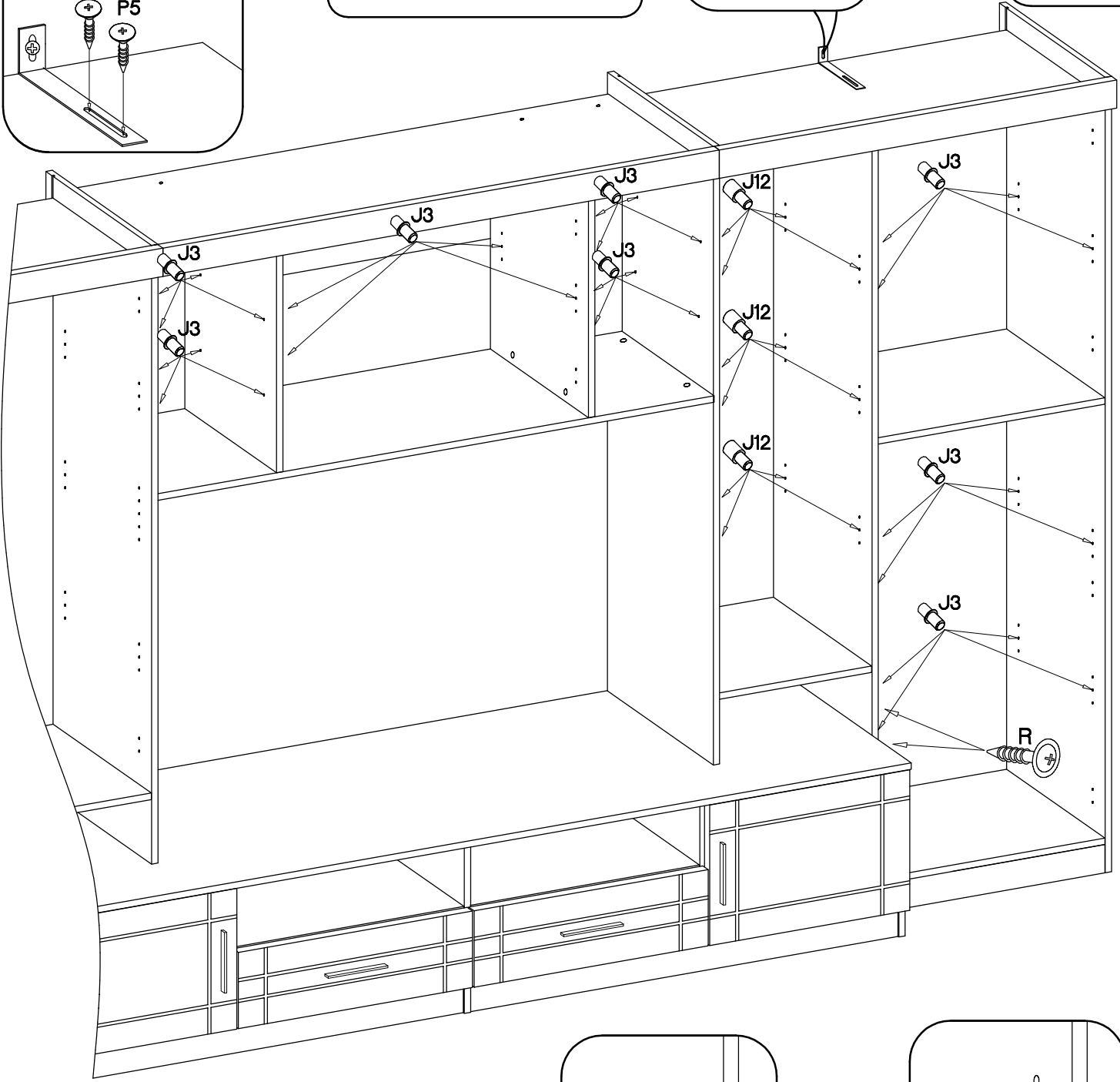
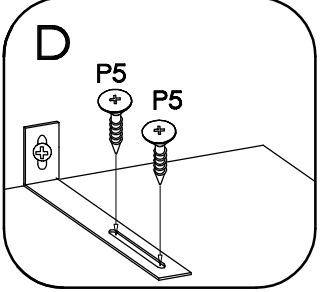
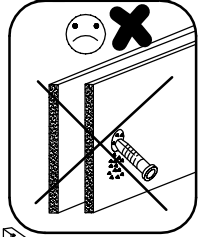
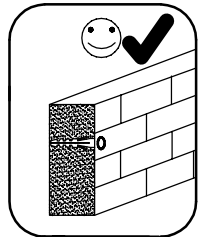
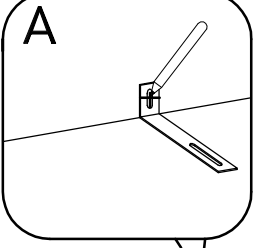
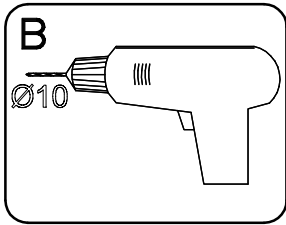
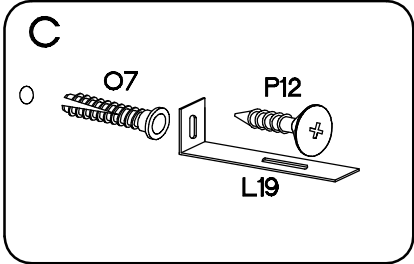


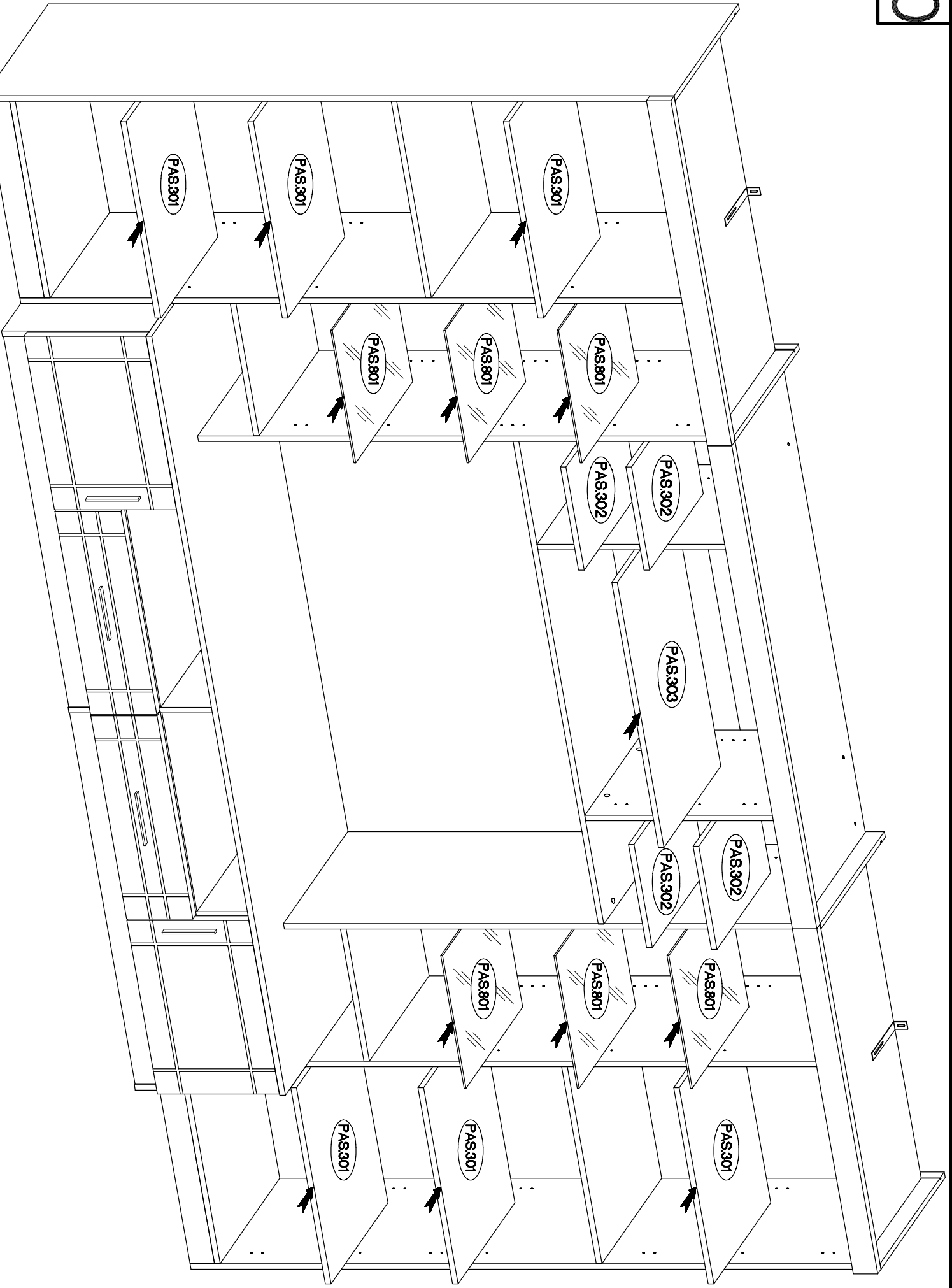
38

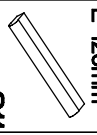


				
L19	P12	P5	R	O7
1	1	2	2	1

		
J3	E	J12
32	34	12





L=128mm	
4	S11
8	R2

