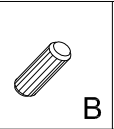
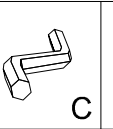
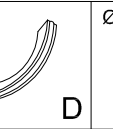
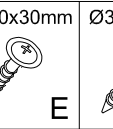
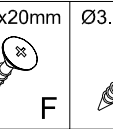
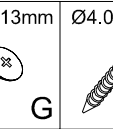
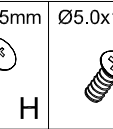
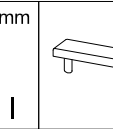
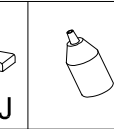
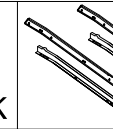
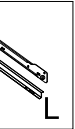
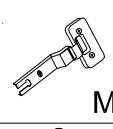
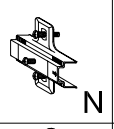
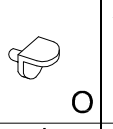
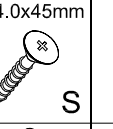
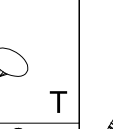
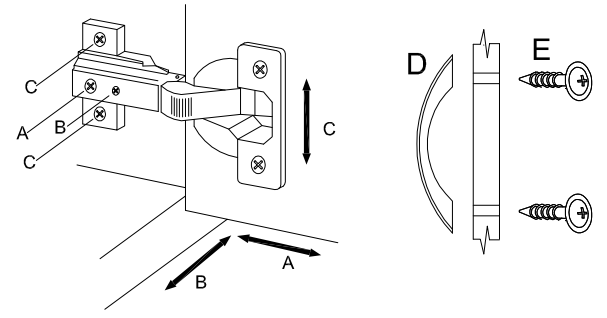
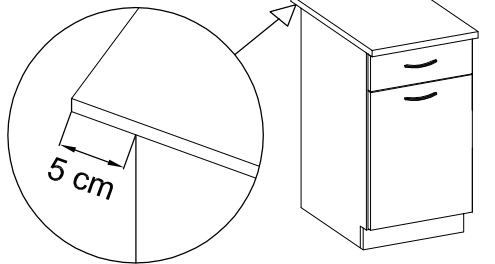
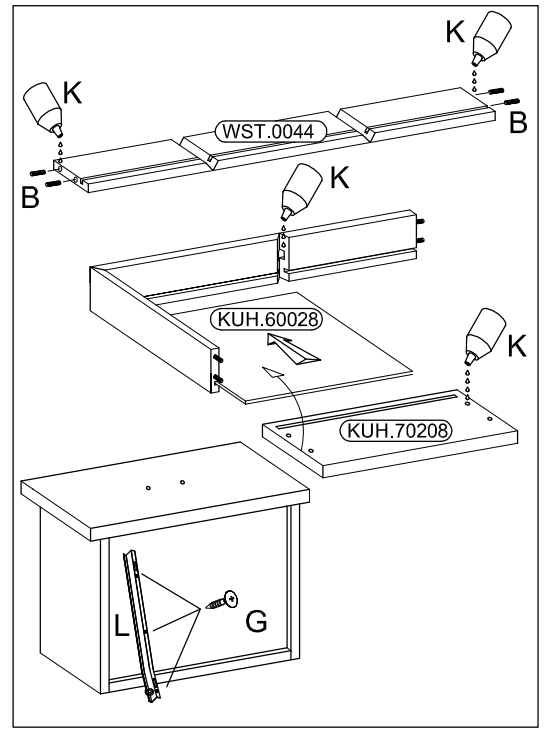
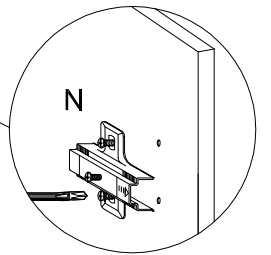
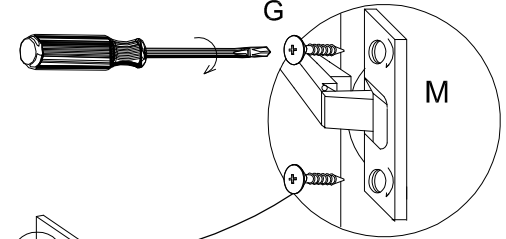
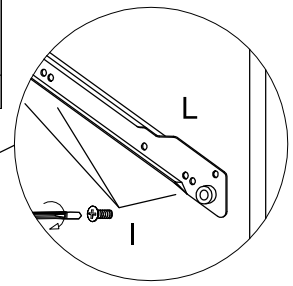
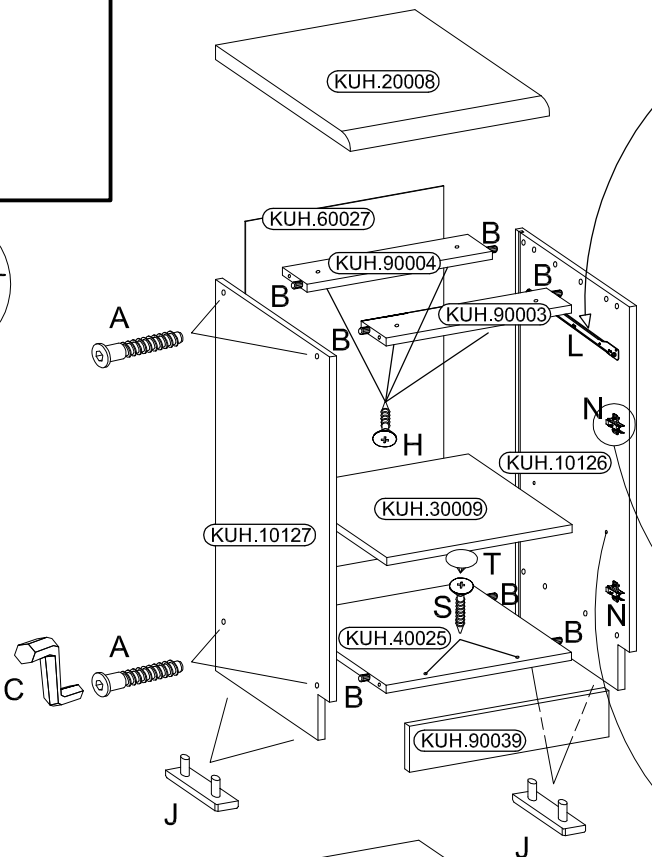
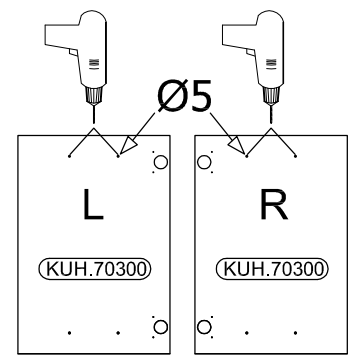
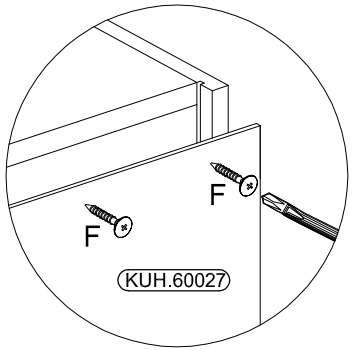
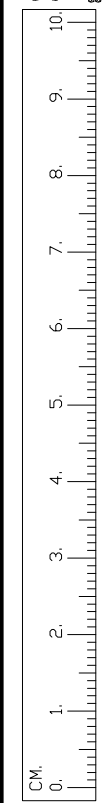
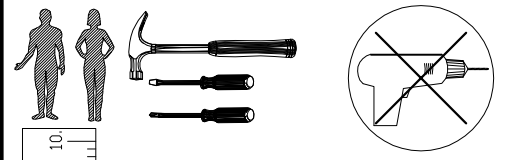
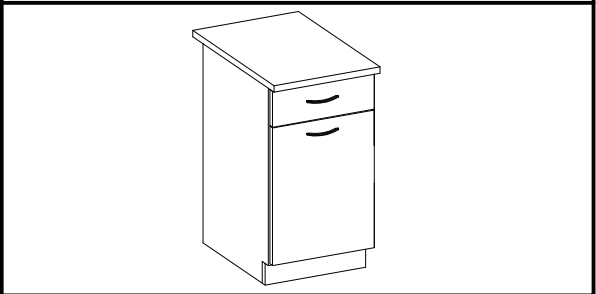
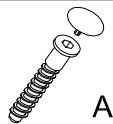
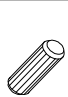




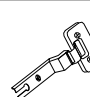


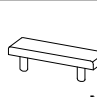
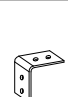


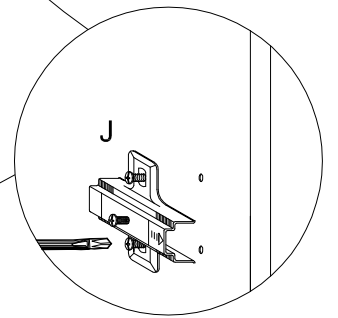
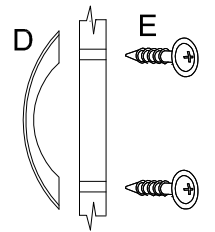
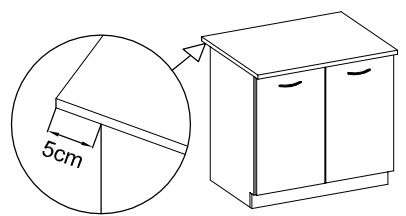
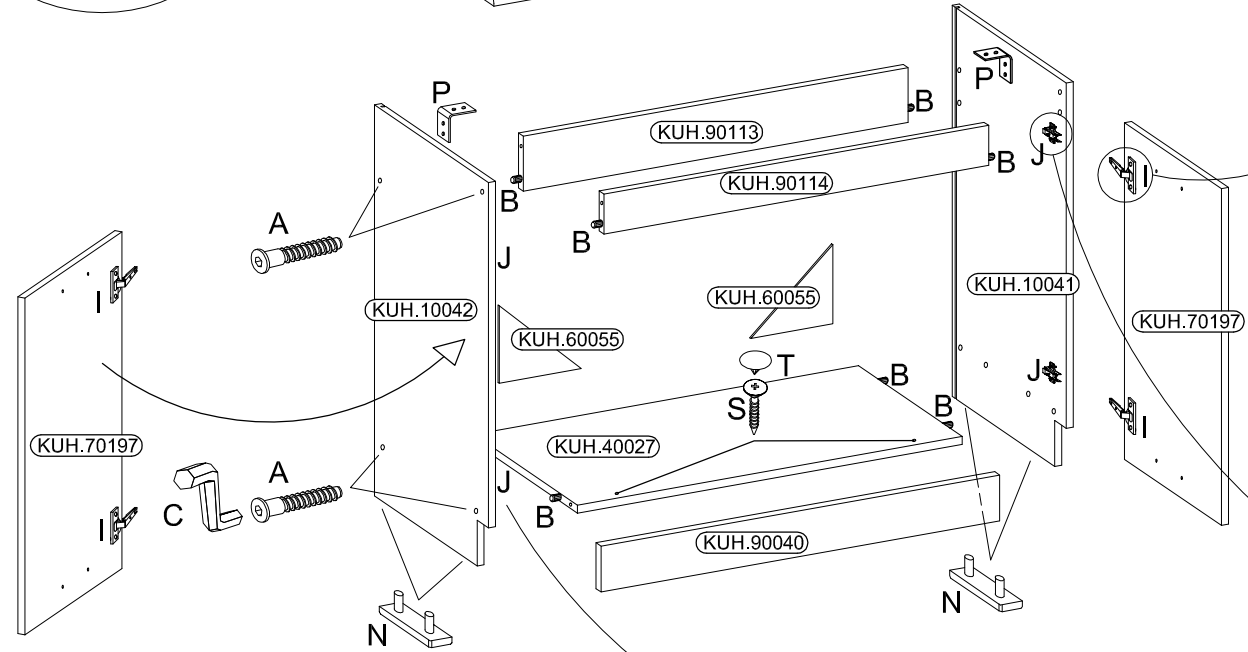
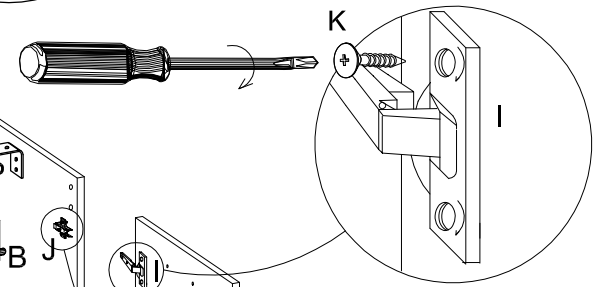
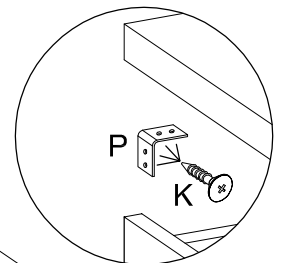
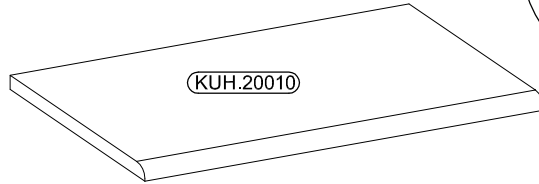
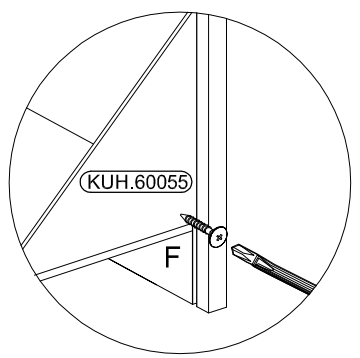
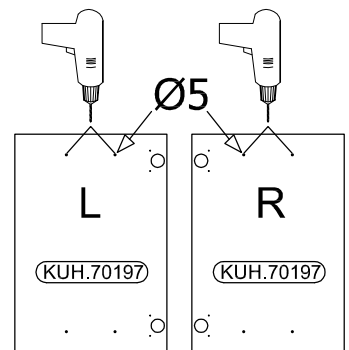
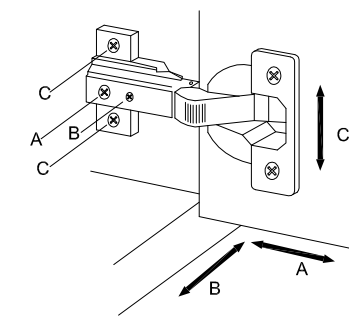
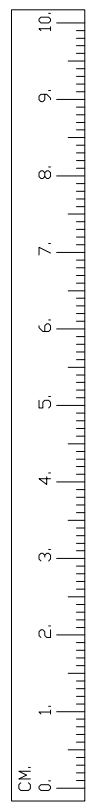
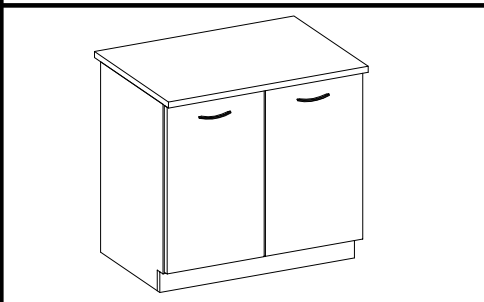
 A	 B	 C	 D	 E	 F	 G	 H	 I	 J	 K	 L
8	12	1	2	4	10	10	4	6	4	1	1
 M	 N	 O	 S	 T							
2	2	4	2	2							

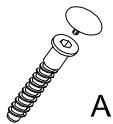
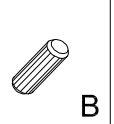
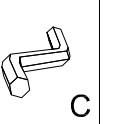
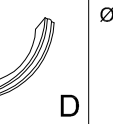
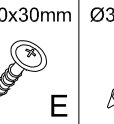
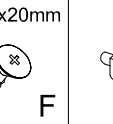
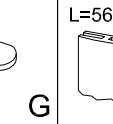
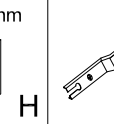
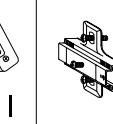
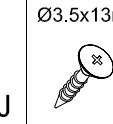
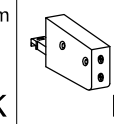
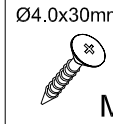

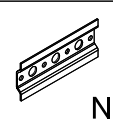
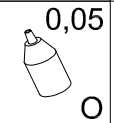


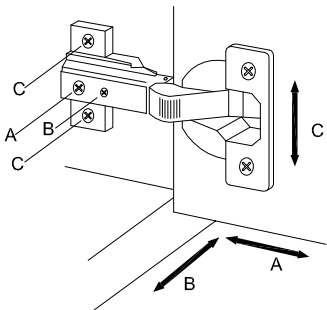
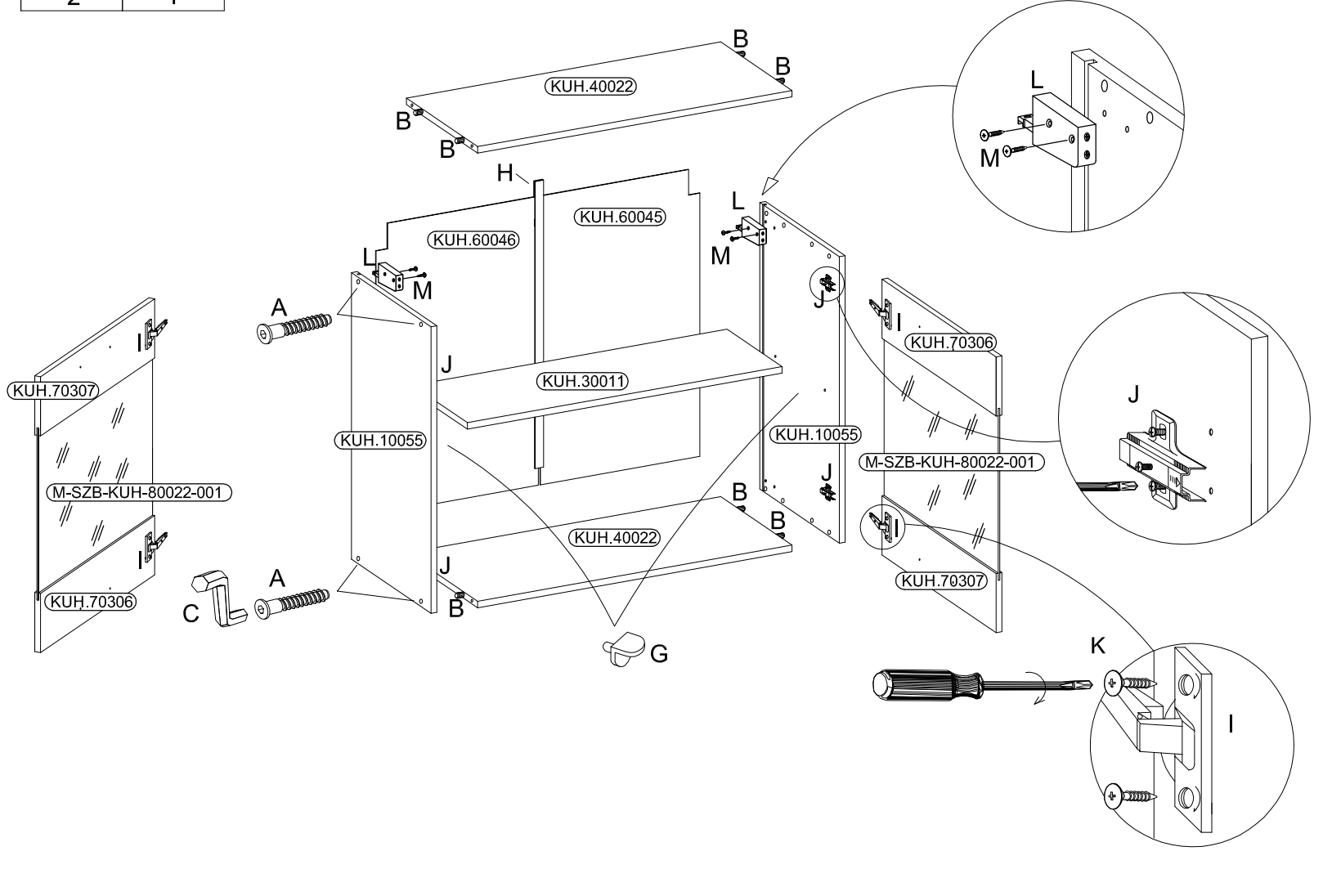
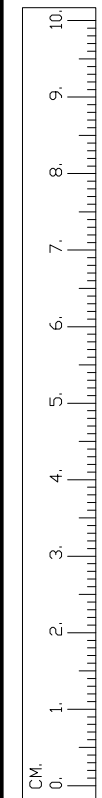
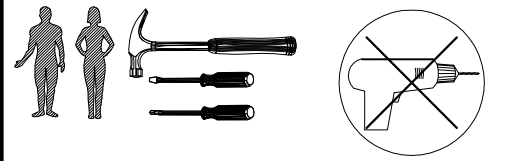
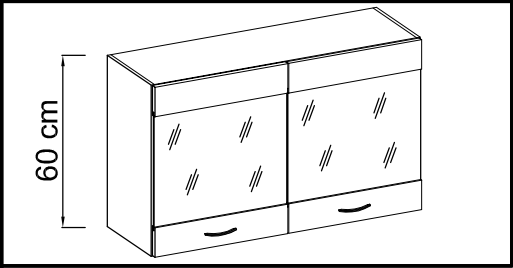
ISM-KUH-00394

												
8	8	1	2	4	10-15	4	4	16	4	2	2	2

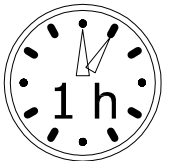
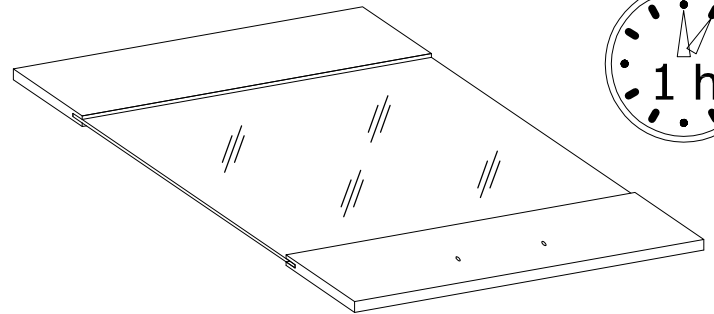
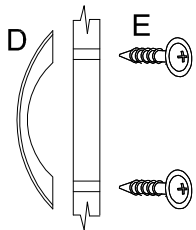
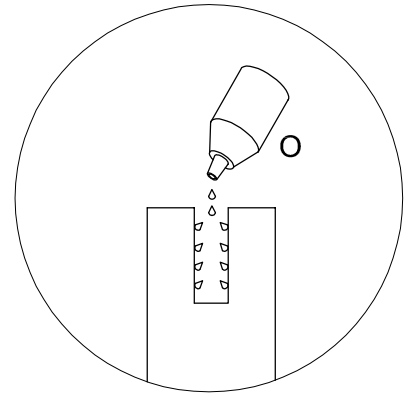
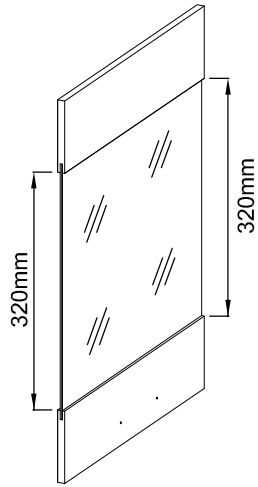
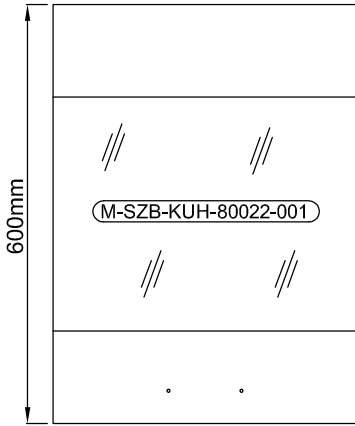
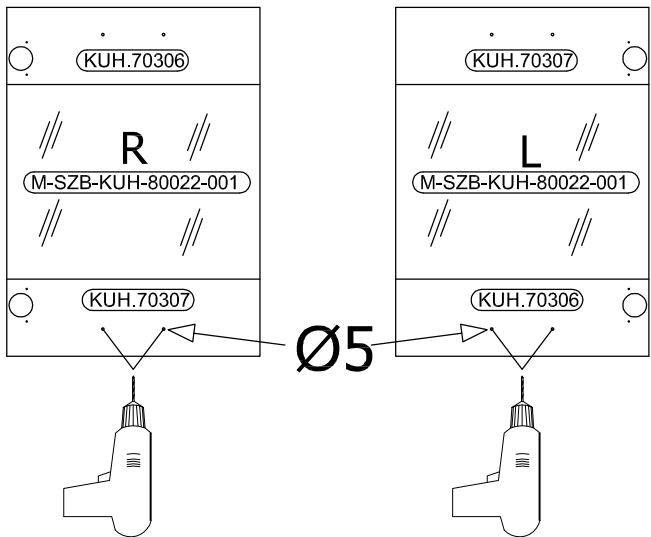
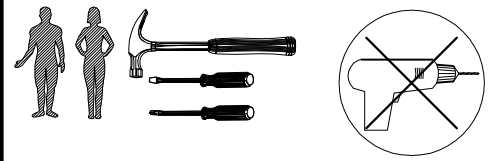
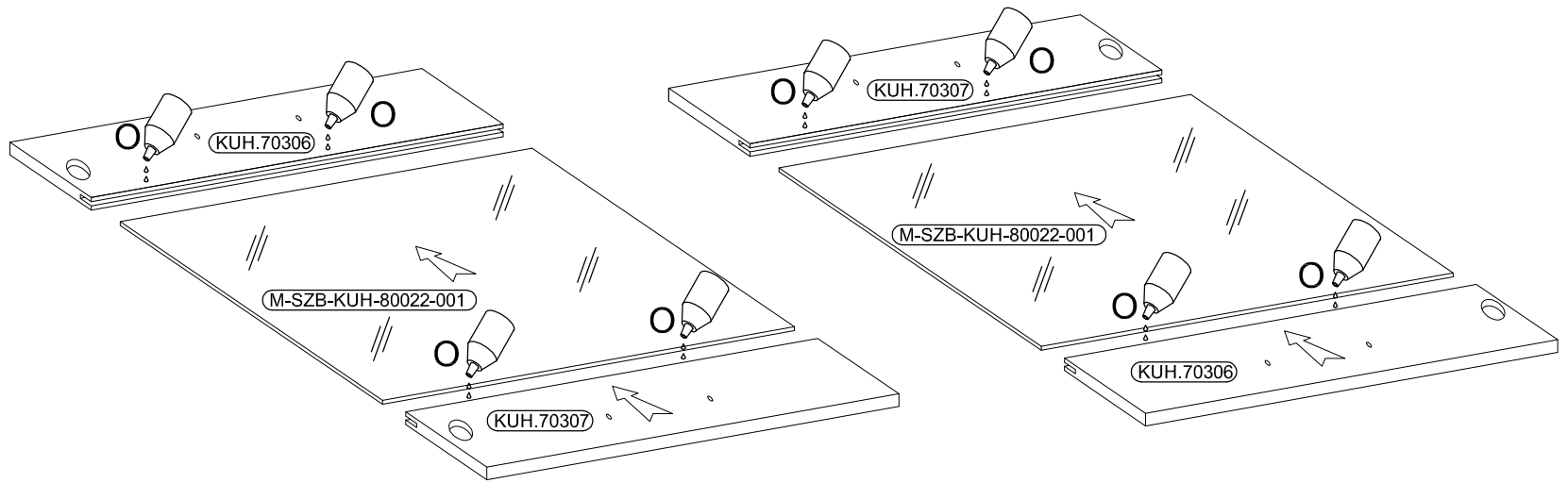
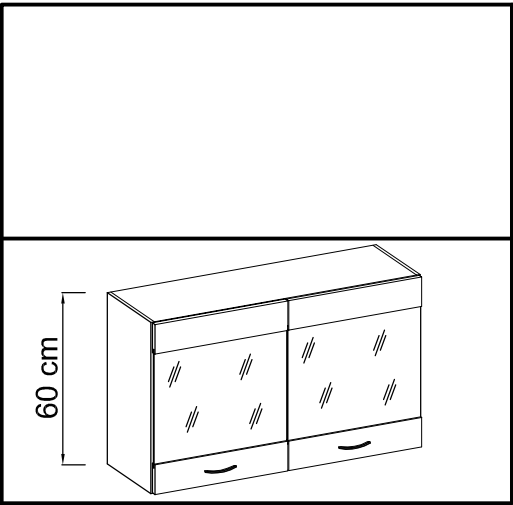


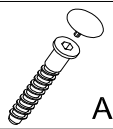
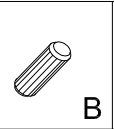
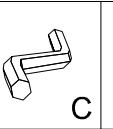
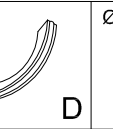
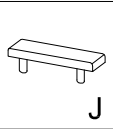
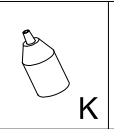
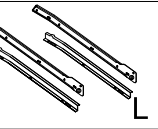
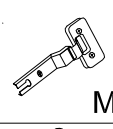
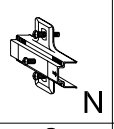
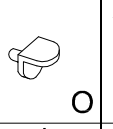
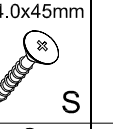
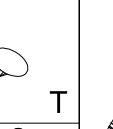
ISM-KUH-00405

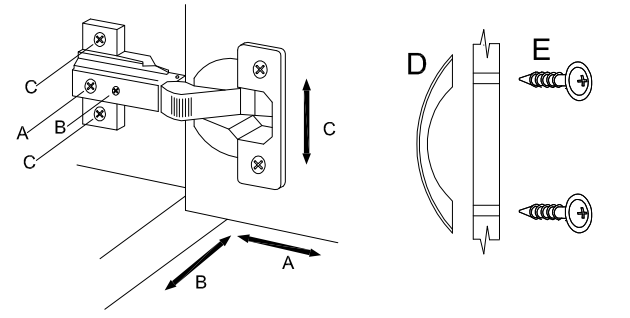
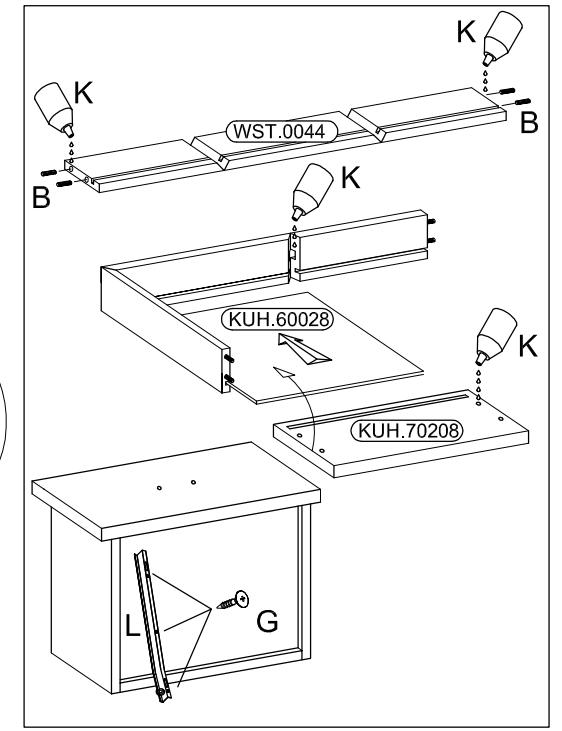
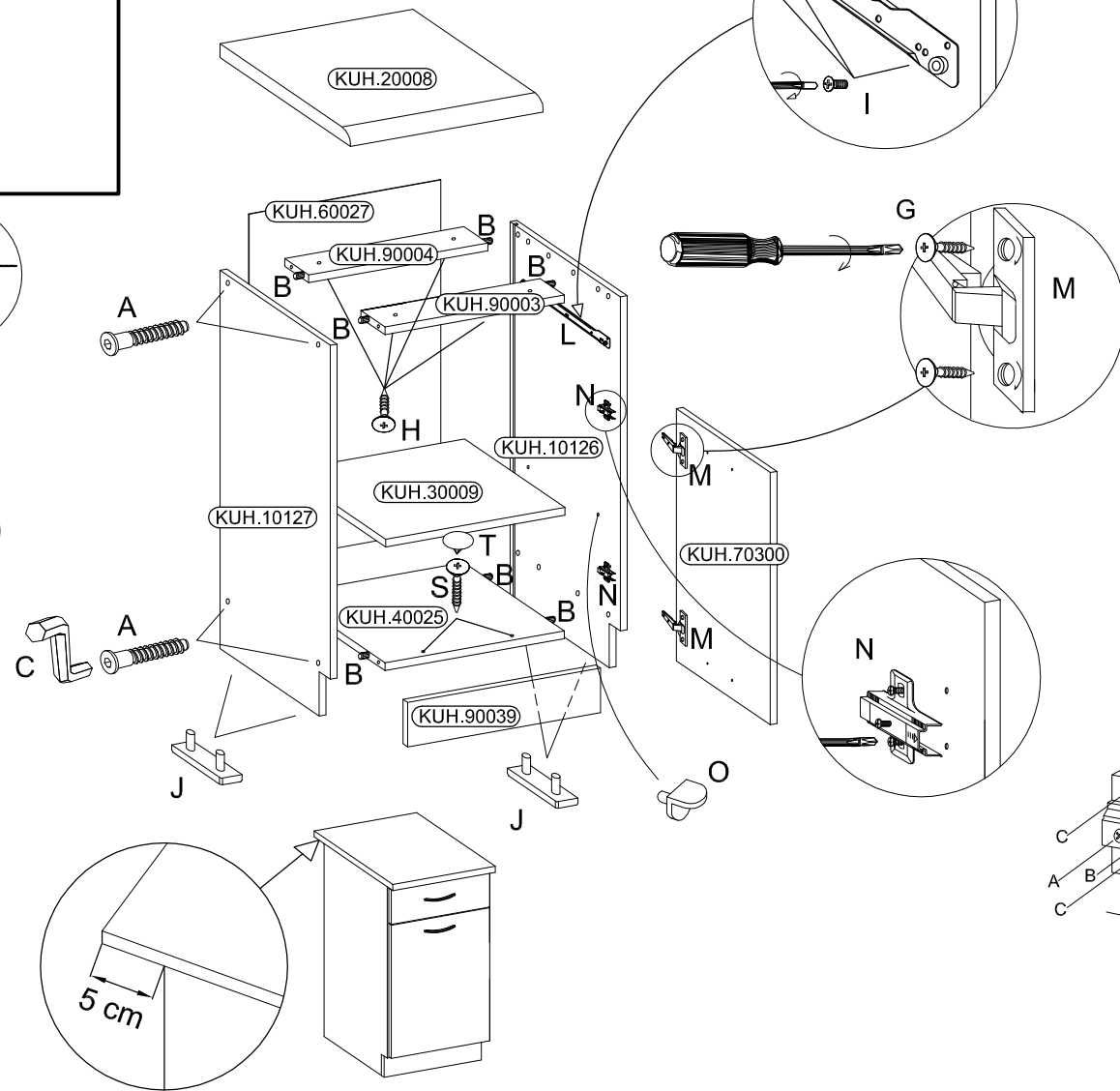
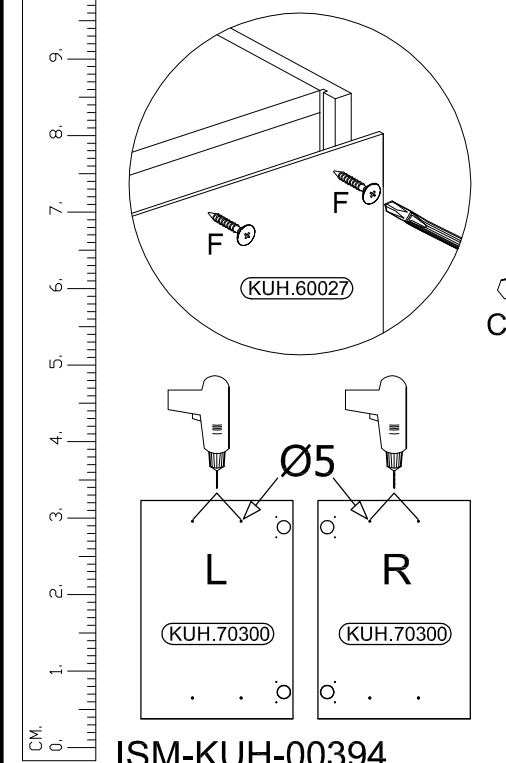
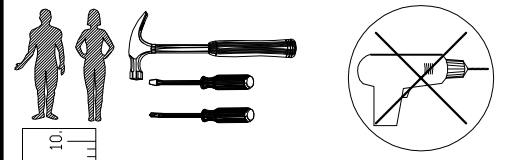
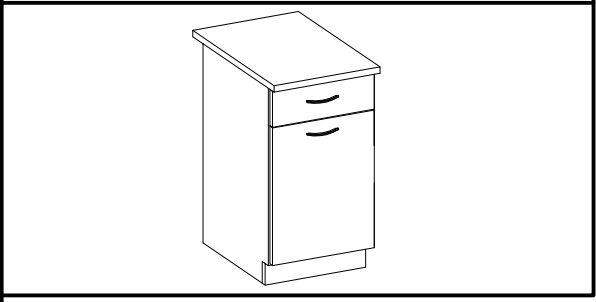
 A	 B	 C	 D	 Ø4.0x30mm	 Ø3.0x20mm	 G	 L=564mm	 I	 J	 Ø3.5x13mm	 L	 Ø4.0x30mm
8	8	1	2	4	10	4	1	4	4	8	2	4
 N	 O											
2	1											



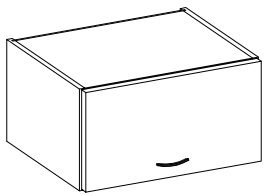
ISM-KUH-00403

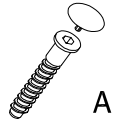
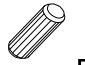




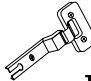
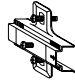

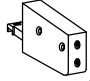

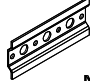




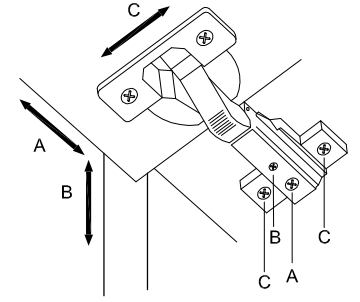
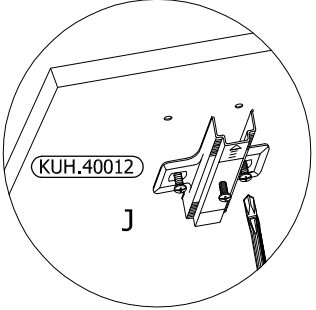
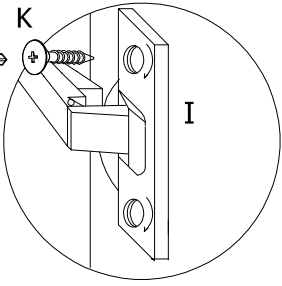
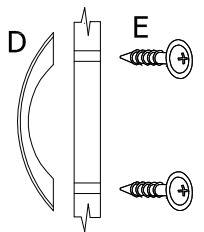
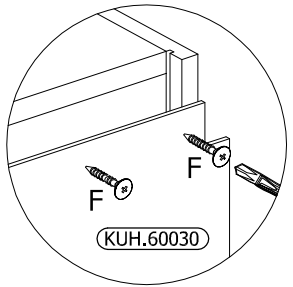
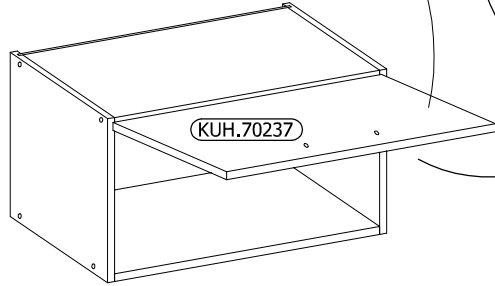
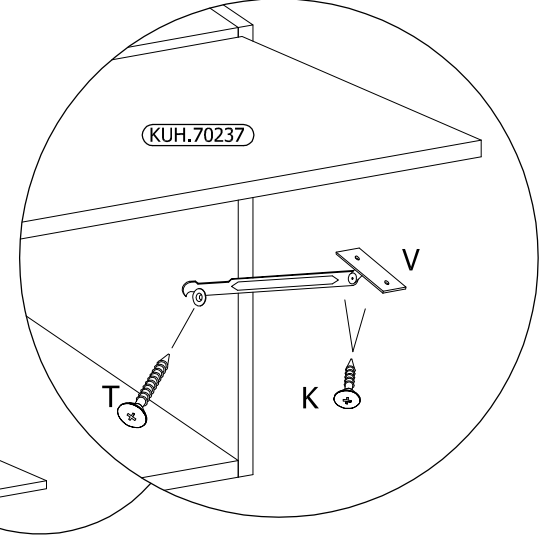
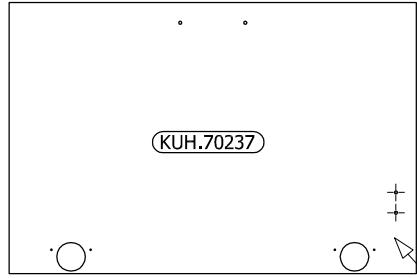
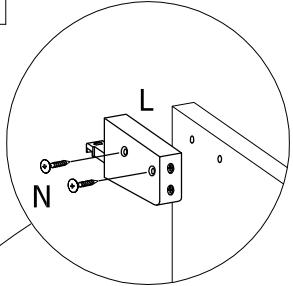
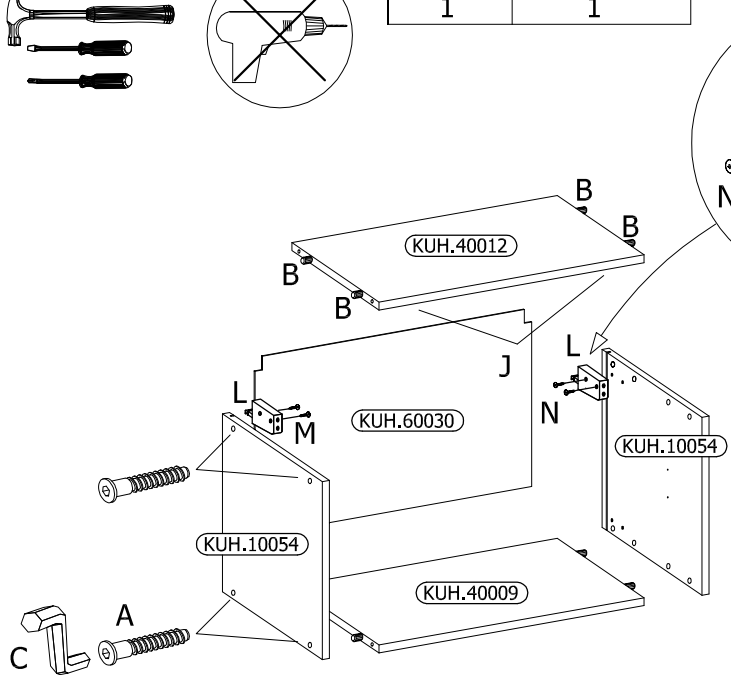
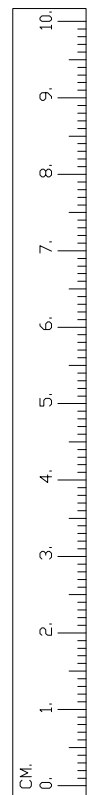
 A	 B	 C	 D	Ø4.0x30mm	Ø3.0x20mm	Ø3.5x13mm	Ø4.0x35mm	Ø5.0x13mm	 J	 K	 L
8	12	1	2	4	10	10	4	6	4	1	1
 M	 N	 O	Ø4.0x45mm	 S	 T						
2	2	4	2	2							





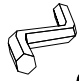


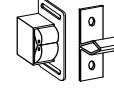




ISM-KUH-00394

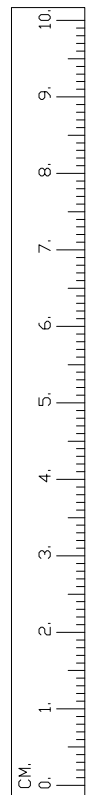
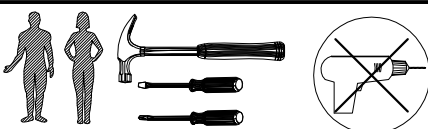
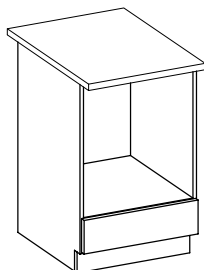


 A 8	 B 8	 C 1	 D 1	 E 2	 F 10-15	 I 2	 J 2	 K 6	 L 2	 N 4	 N 2
 T 1		 V 1									

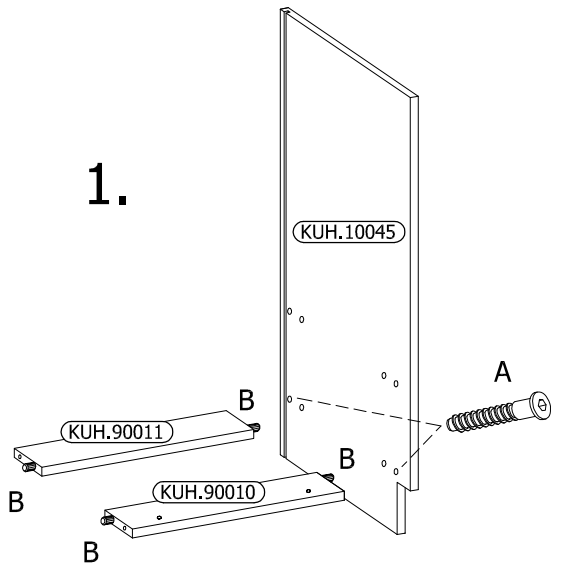


ISM-KUH-00398

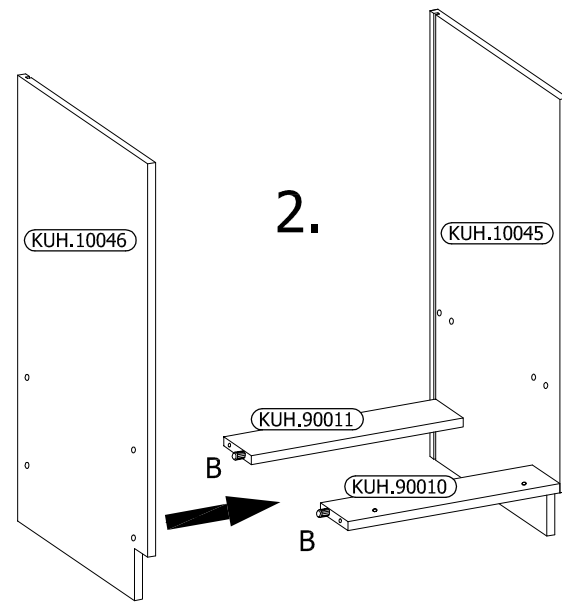
									
A	B	C	D	F	H	J	S	T	R
8	8	1	16	8	2	4	2	2	2



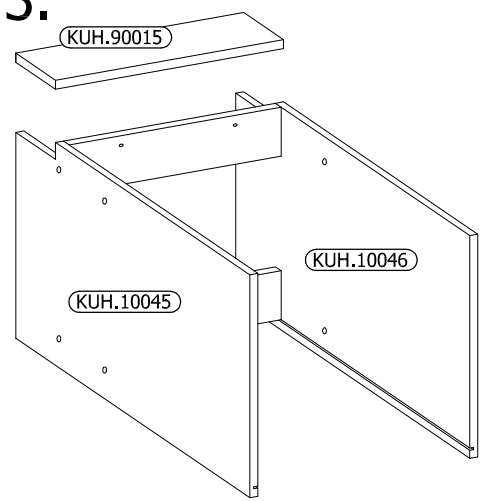
1.



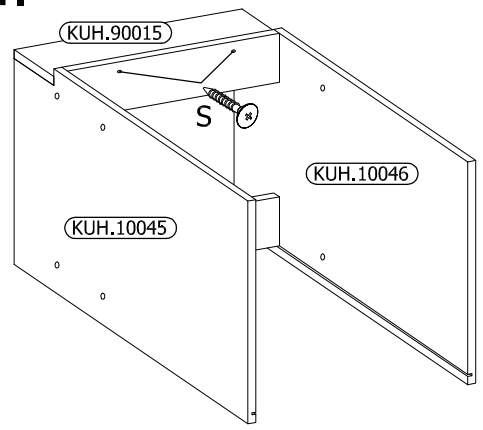
2.



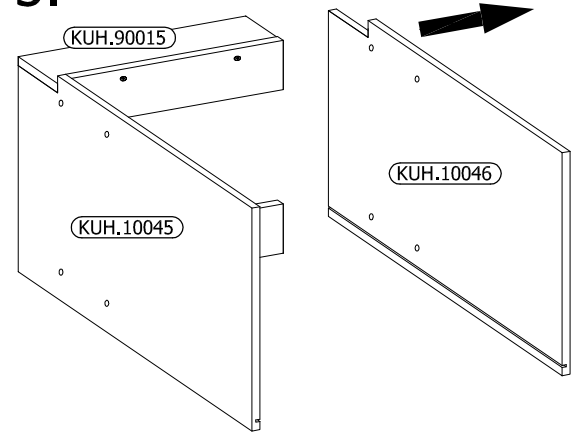
3.



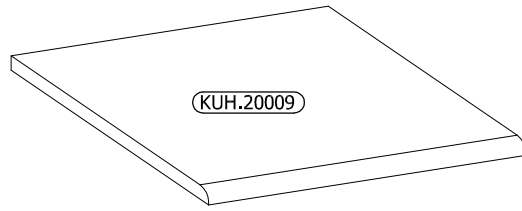
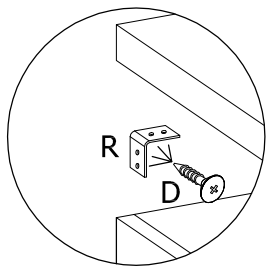
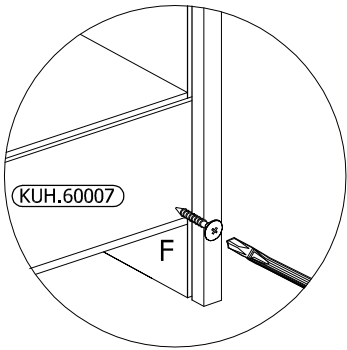
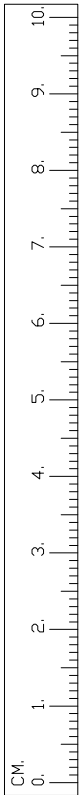
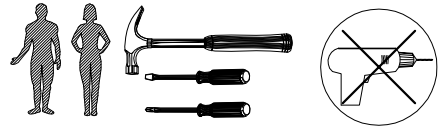
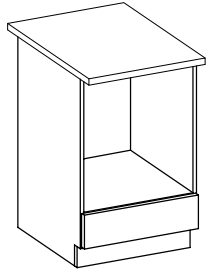
4.



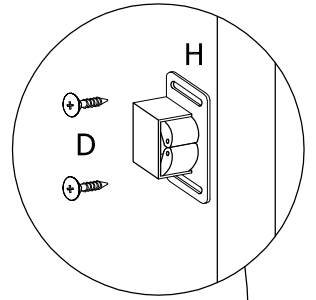
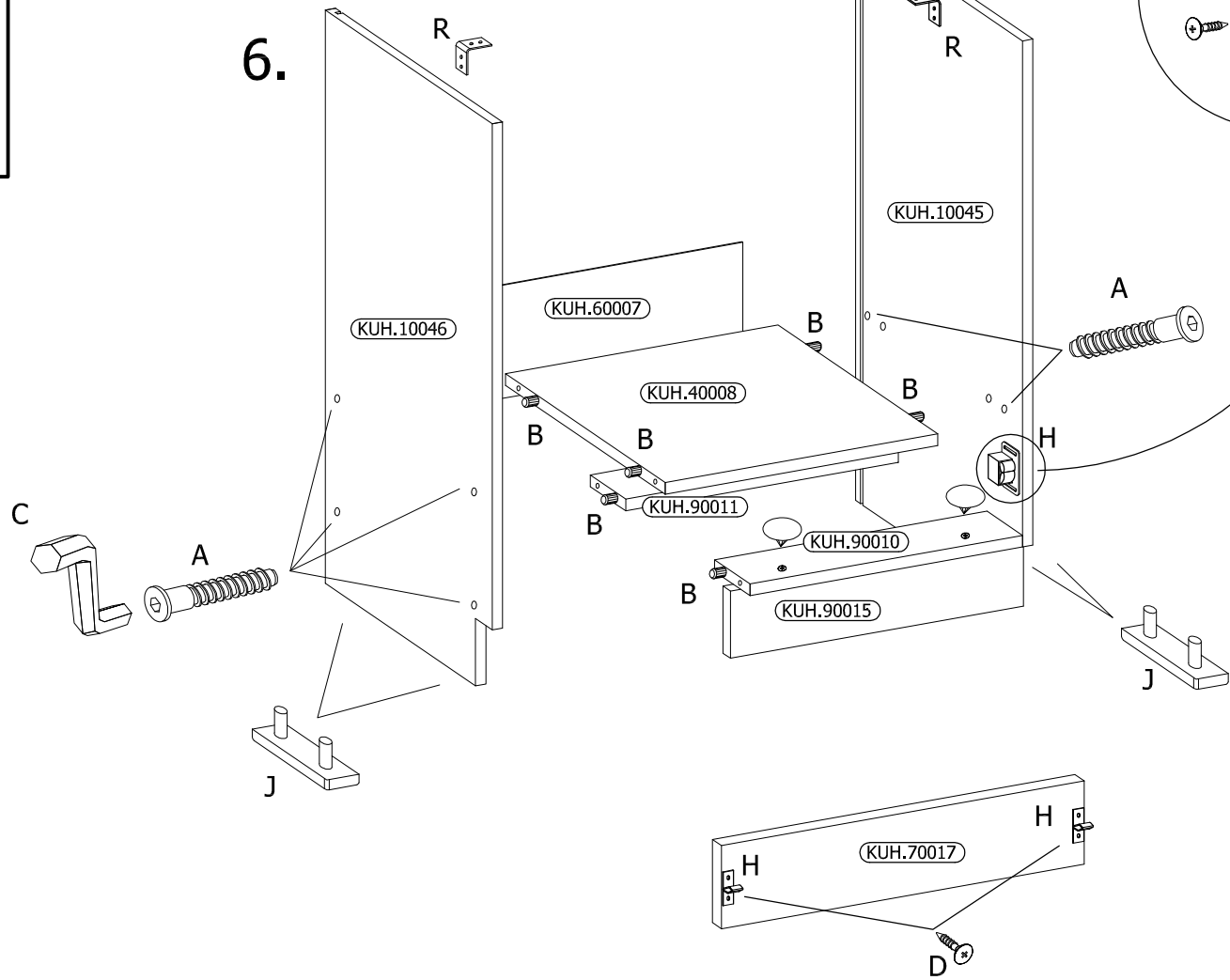
5.



ISM-KUH-00401

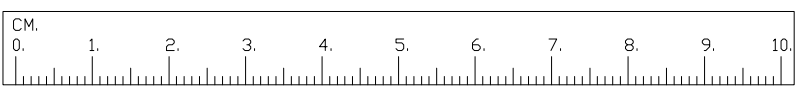
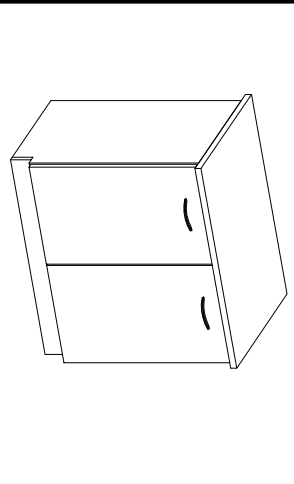


6.





8	A	8	B	1	C	2	D	4	E	10-15	F	4	I	4	J	16	K	4	N	2	P	2	S	2	T
									$\varnothing 4,0 \times 30 \text{ mm}$		$\varnothing 3,0 \times 20 \text{ mm}$					$\varnothing 3,5 \times 13 \text{ mm}$						$\varnothing 4,0 \times 45 \text{ mm}$			



ISM-KUH-00405

