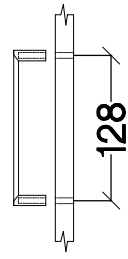
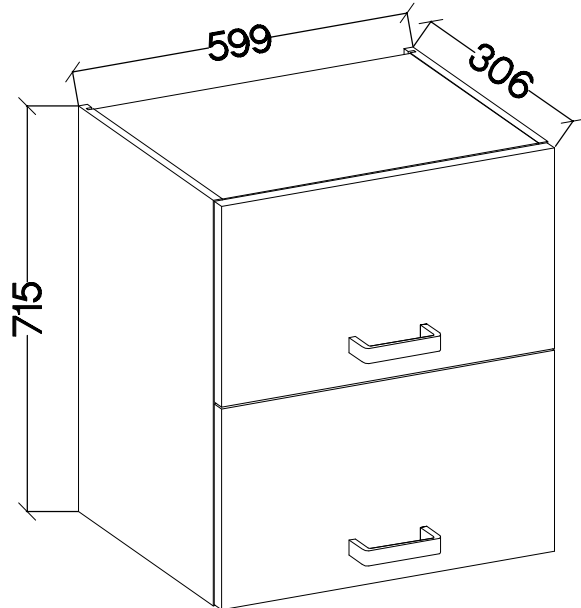
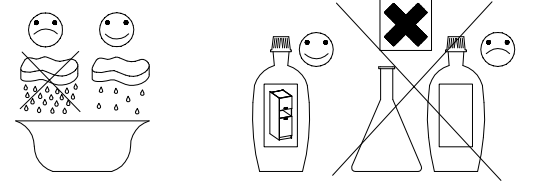
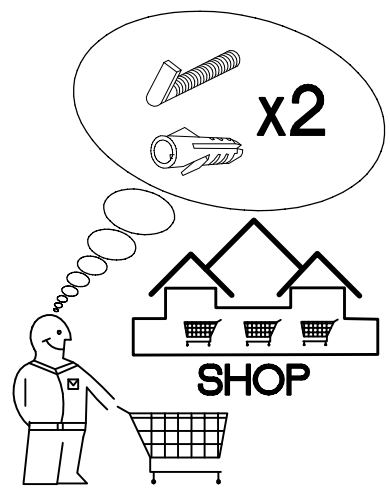
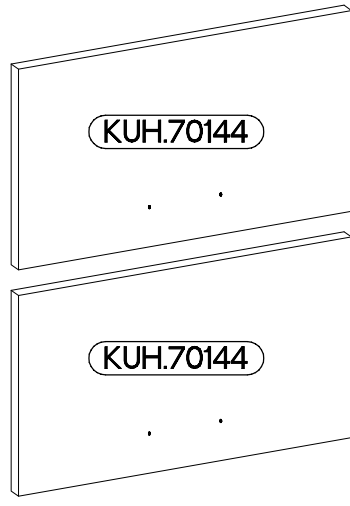
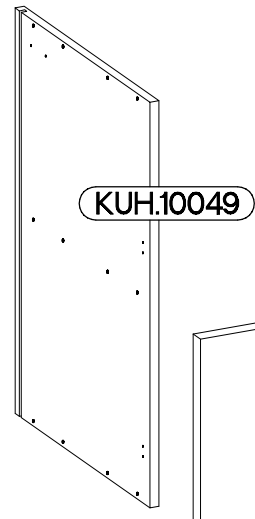
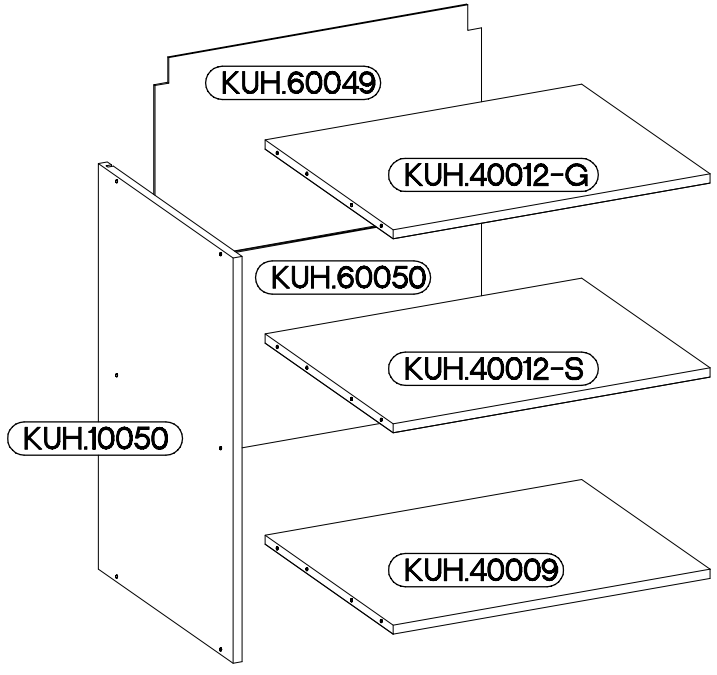


60 GU-72 2F

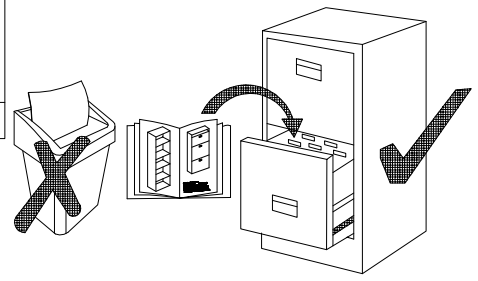


max.
5kg

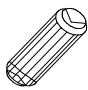
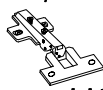


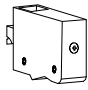
KUH.40012
KUH.40009

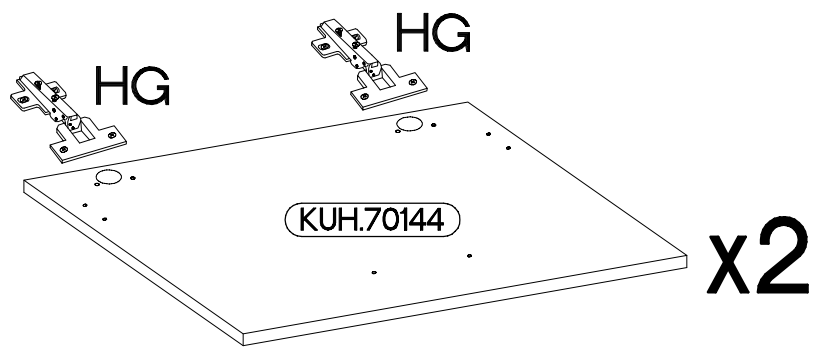
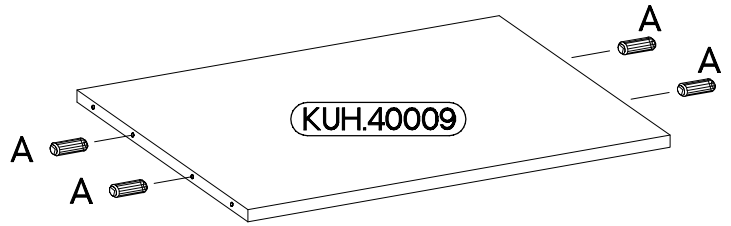
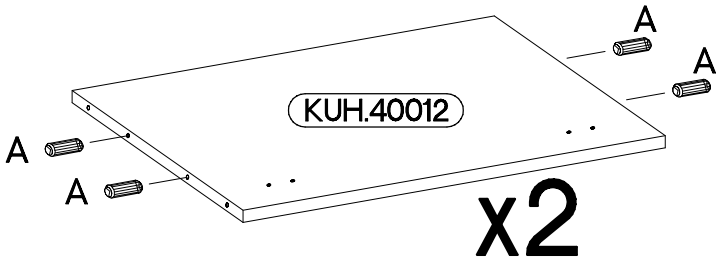
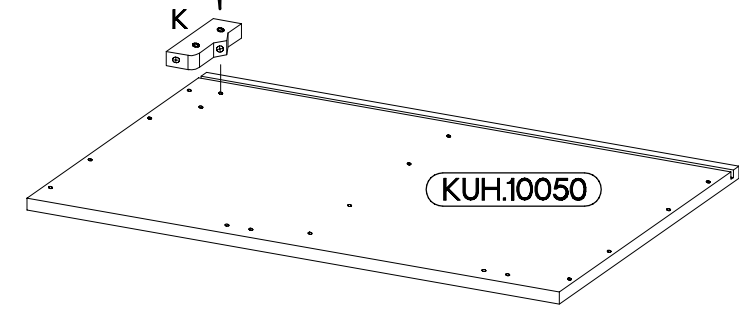
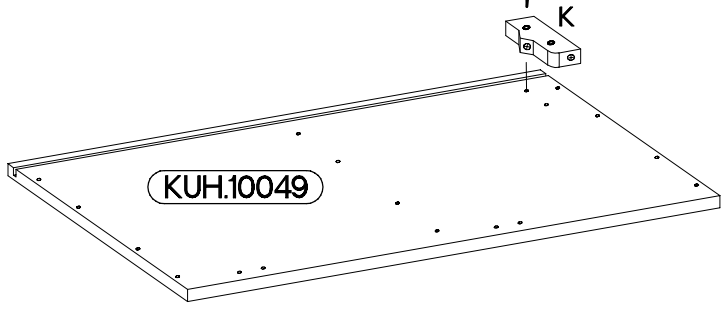
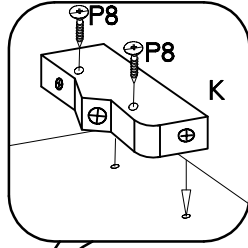
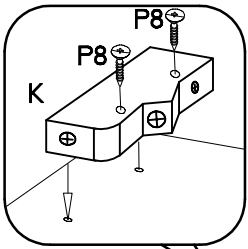
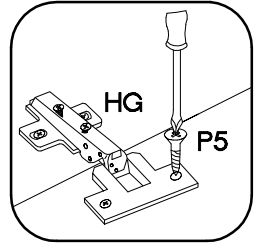
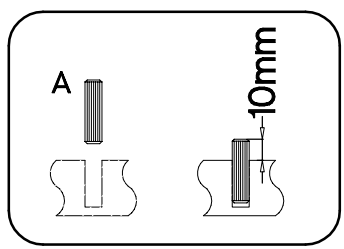
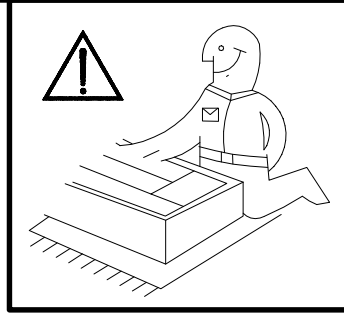


 A 12	 B 12	 E1 12	 HG 4	 J5 4	 K 2	 K24 4
 L2 4	 O 1	 P5 8	 P7 10-15	 P8 4	 S23 2	 U 4



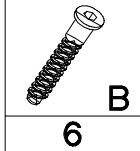
ISM-KUH-00917

±8x30mm  A 12	±35/0mm  HG 4	±3.5x13mm  P5 8	±4.0x30mm  P8 4	 K 2
--	--	--	--	--



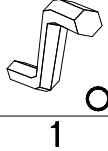
2

6,4 x 50mm



B

6



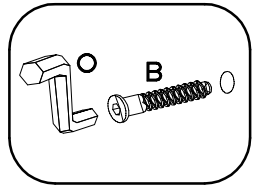
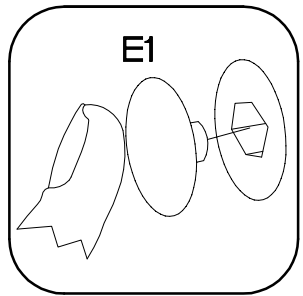
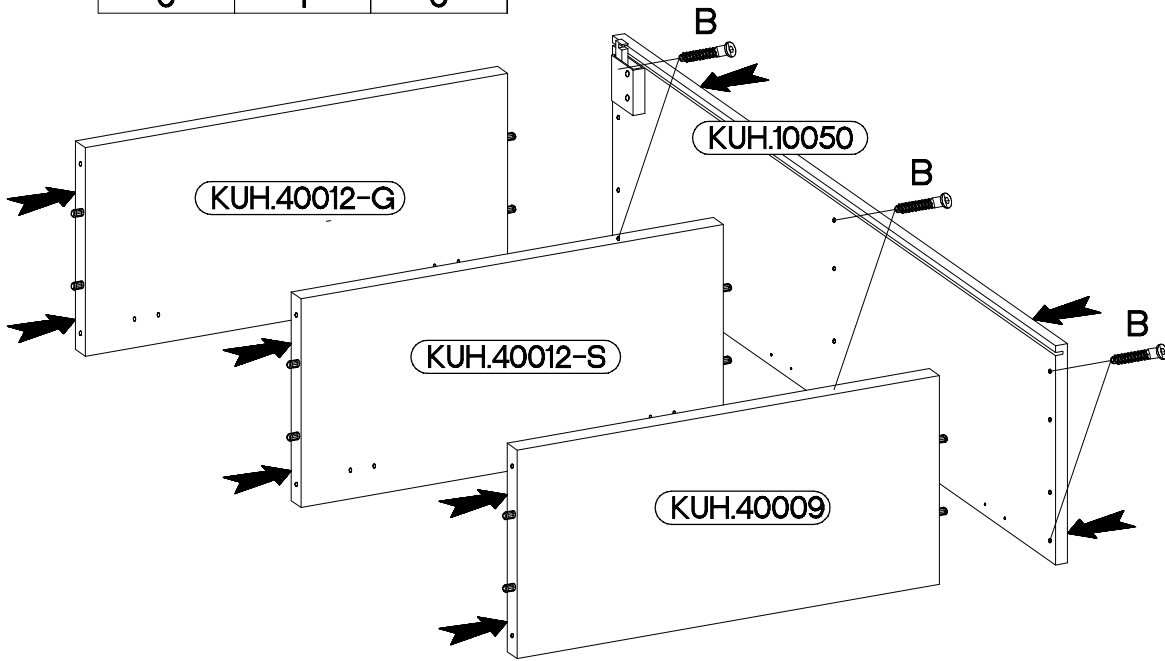
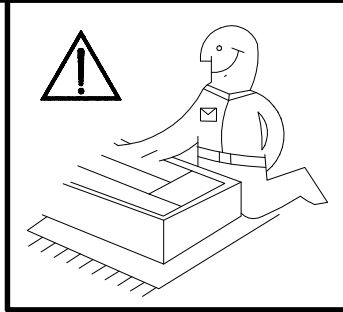
O

1



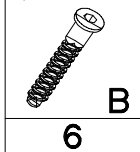
E1

6



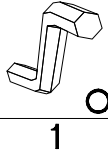
3

6,4 x 50mm



B

6



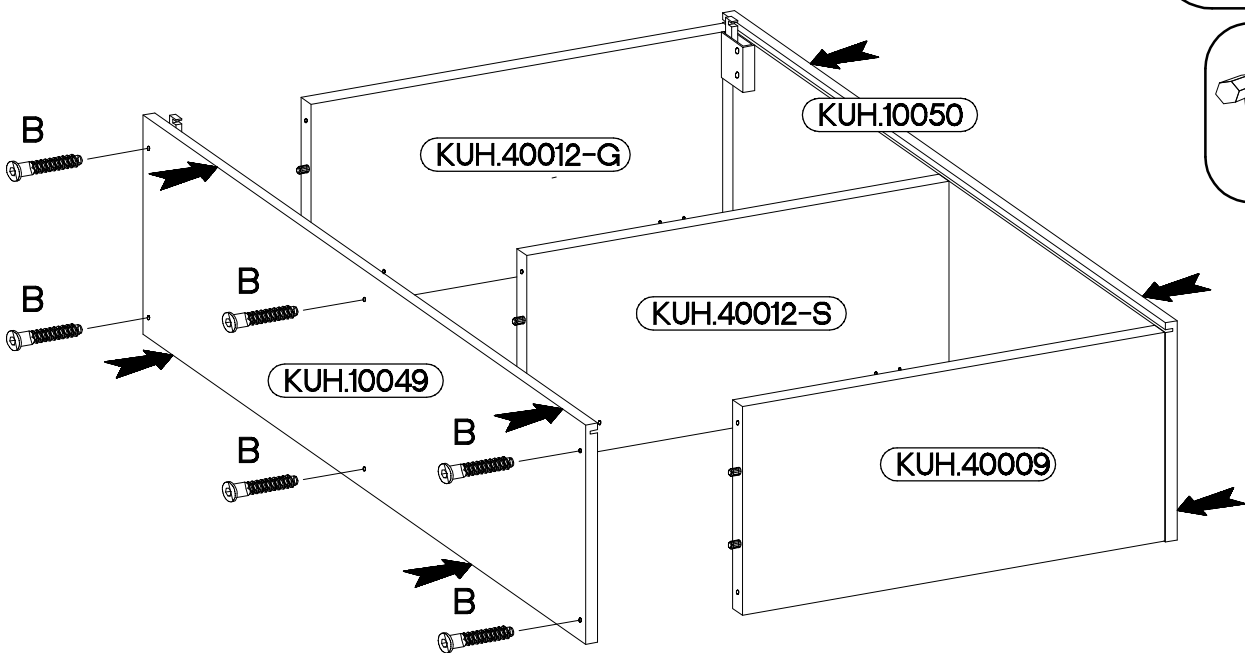
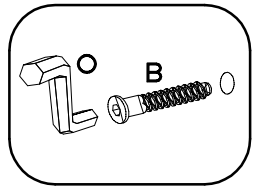
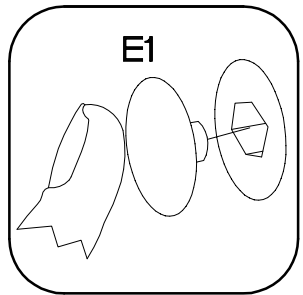
O

1

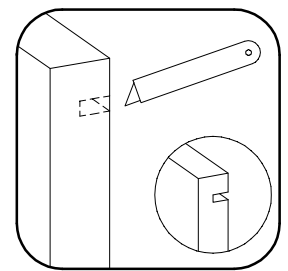
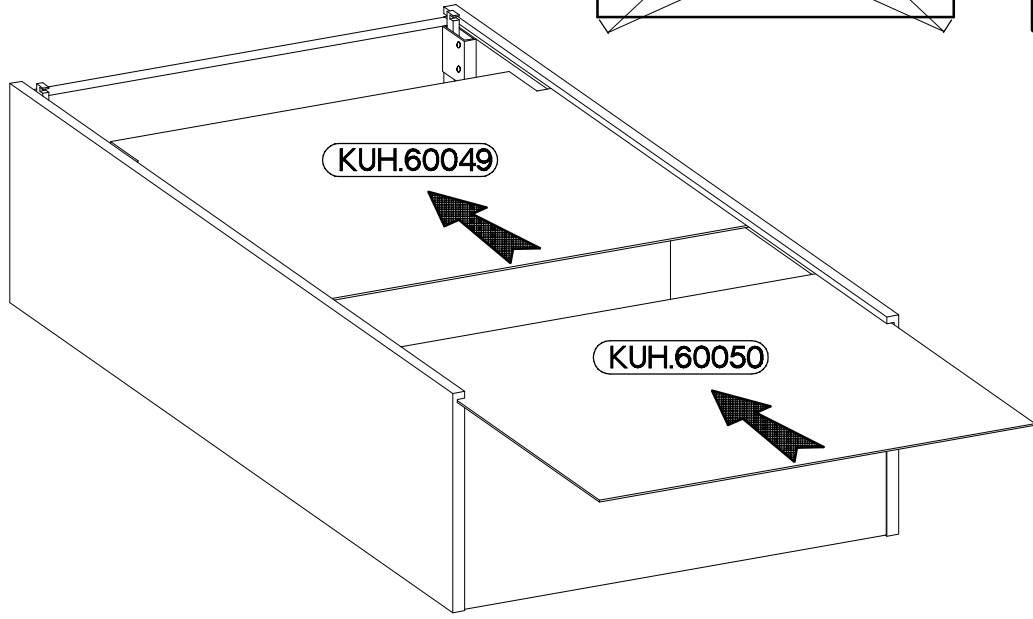
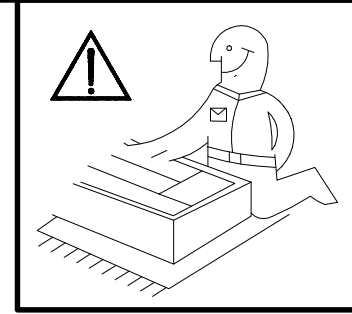
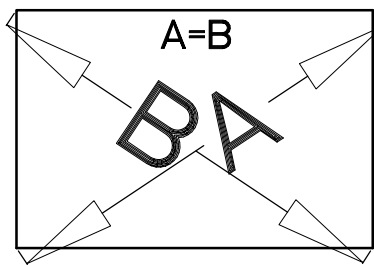


E1

6

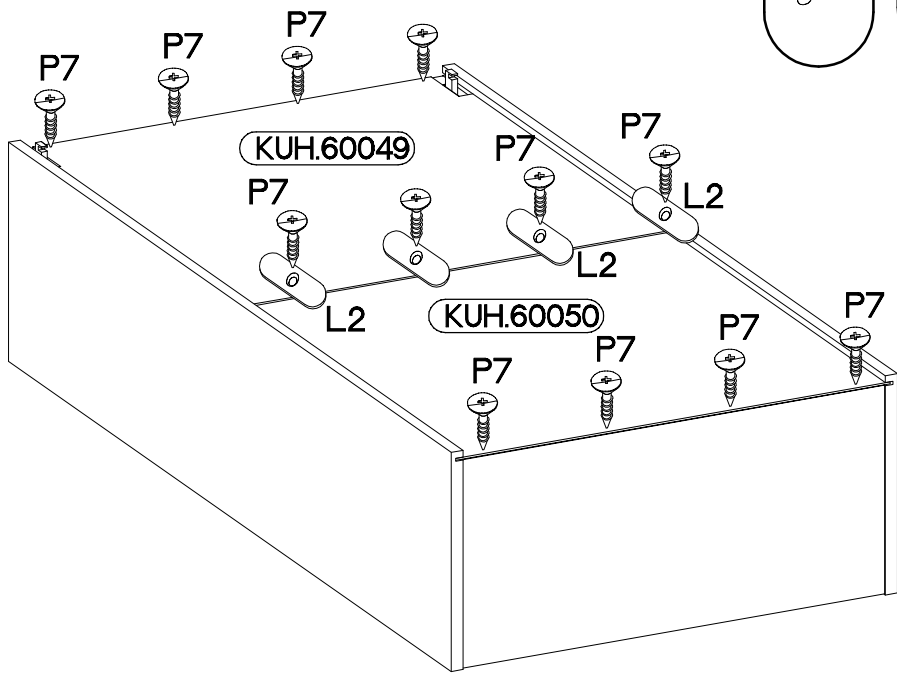
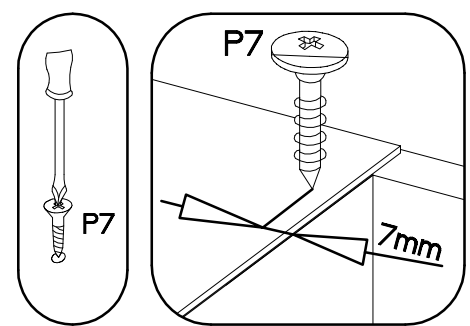


4

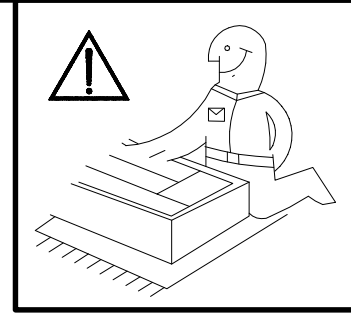
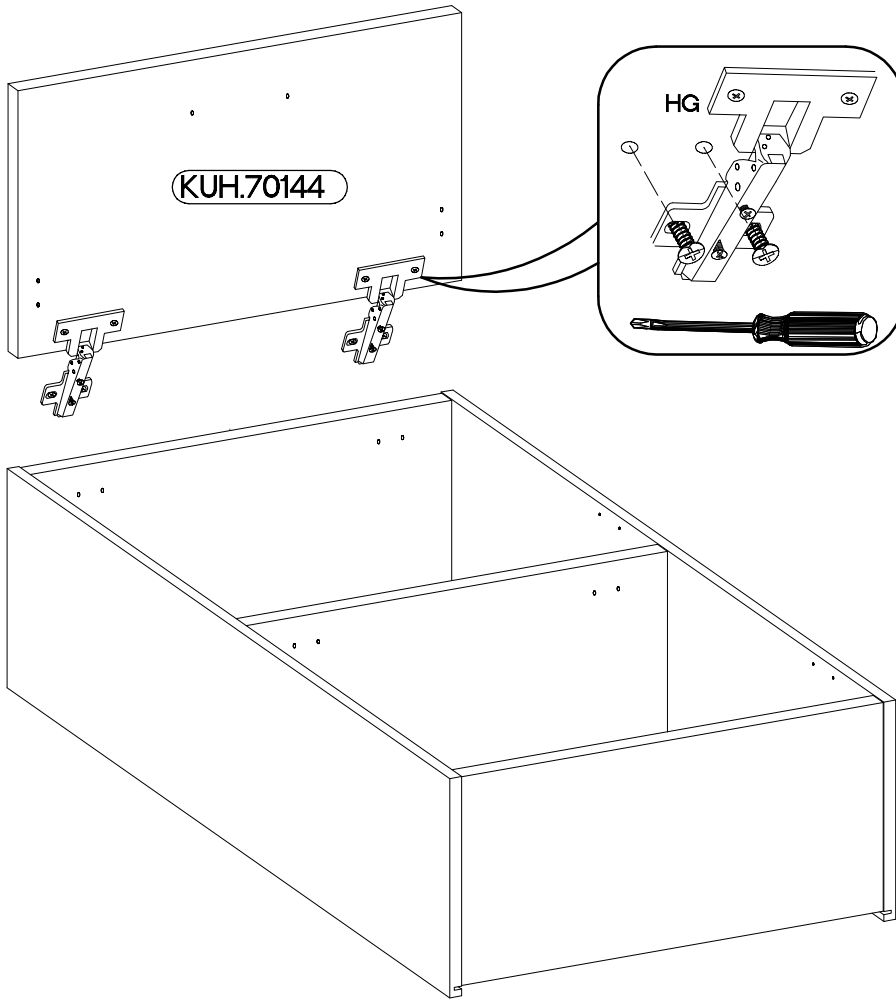


5

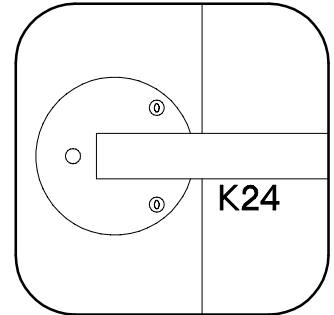
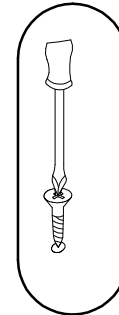
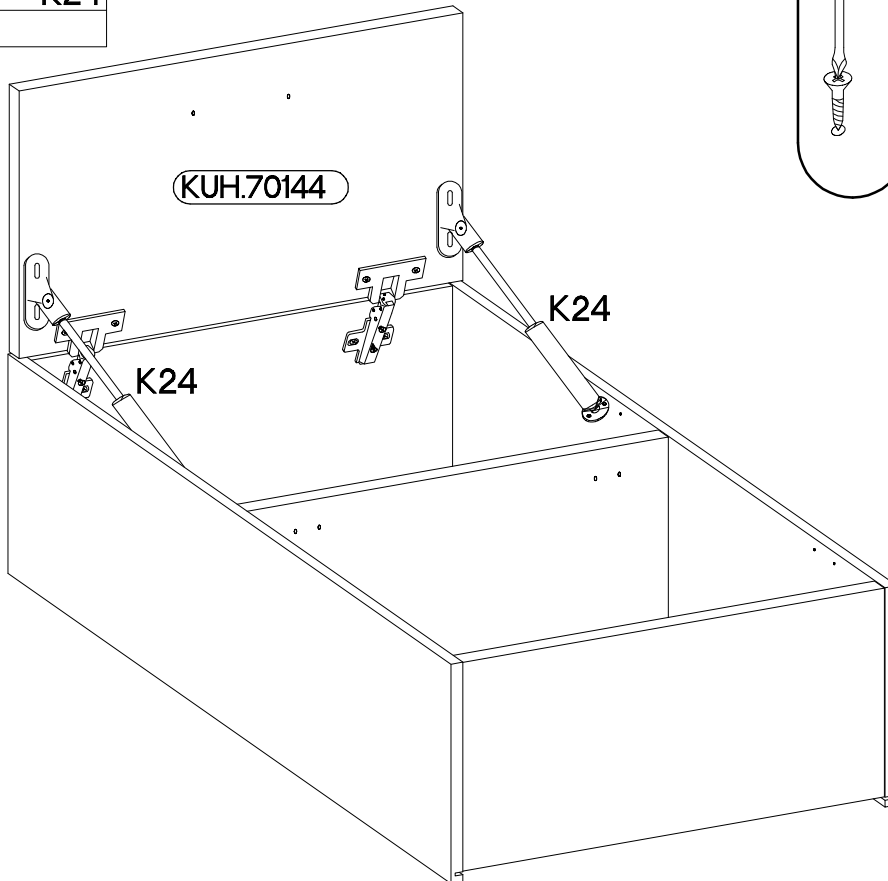
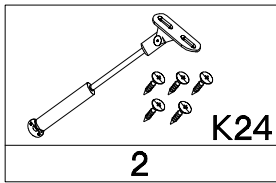
$\varnothing 3.0 \times 20 \text{mm}$ P7 10-15	 L2 4
---	--------------------



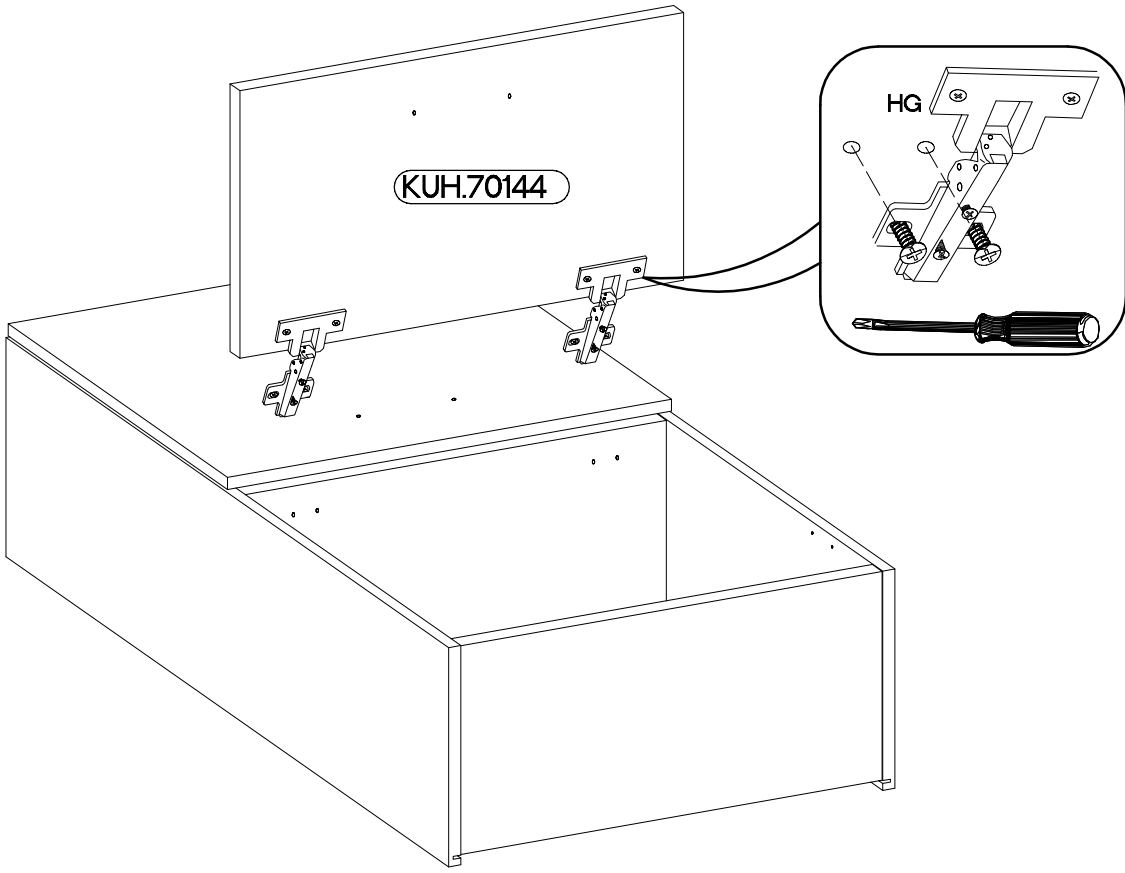
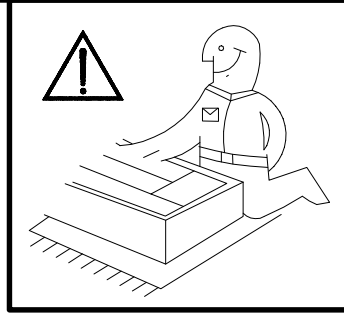
6



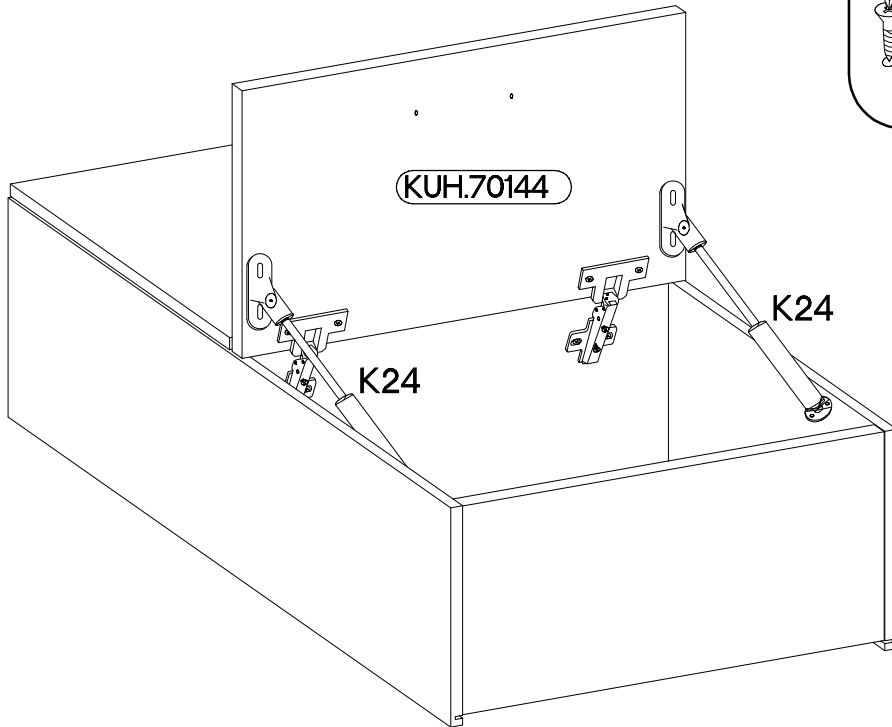
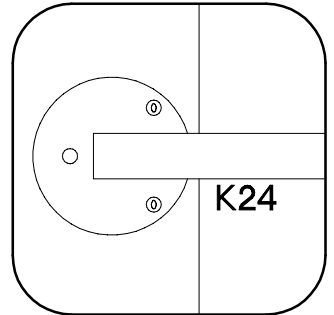
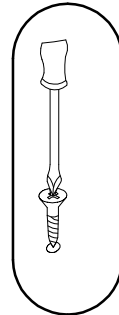
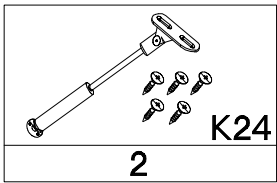
7






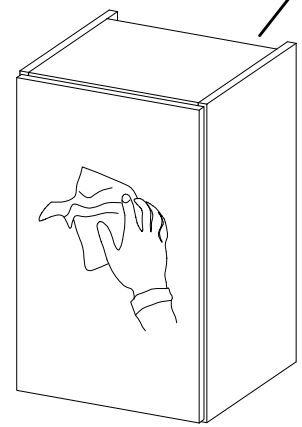
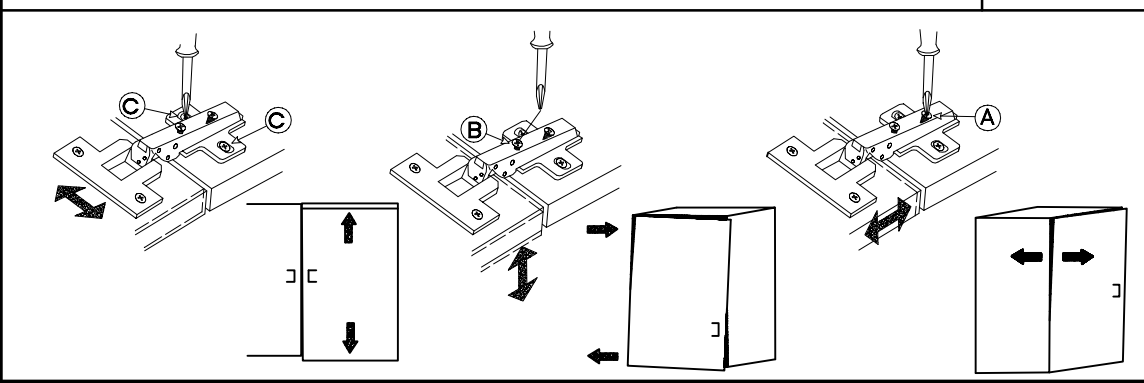
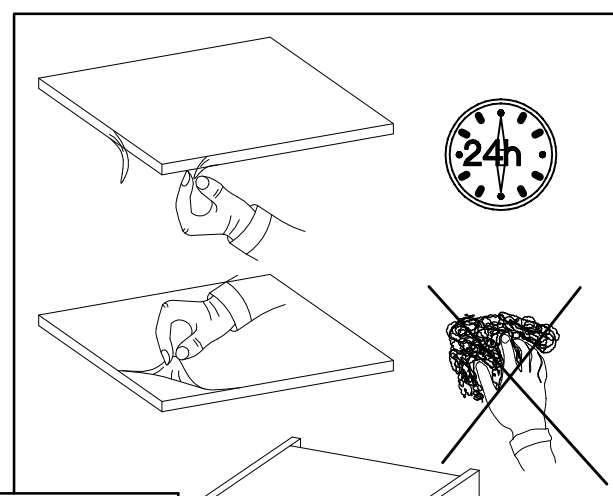
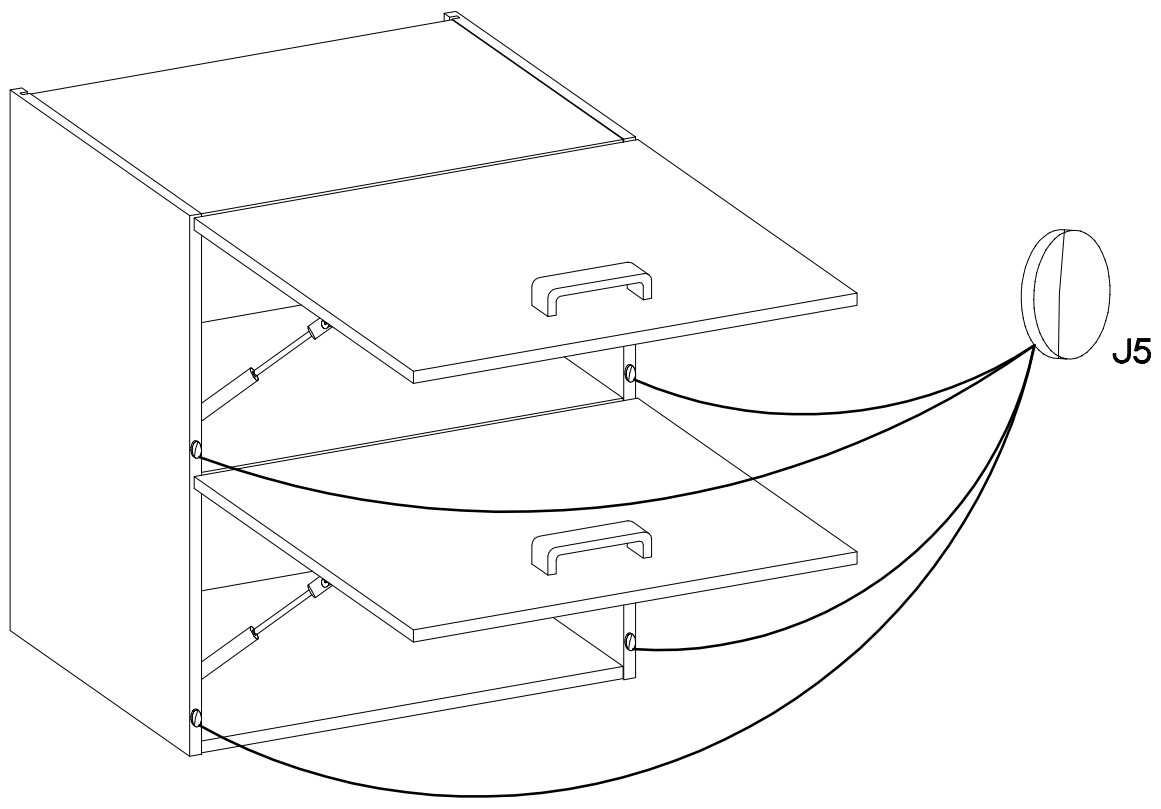
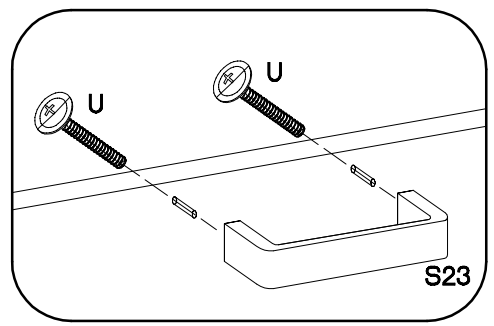
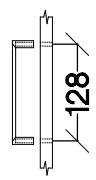
8

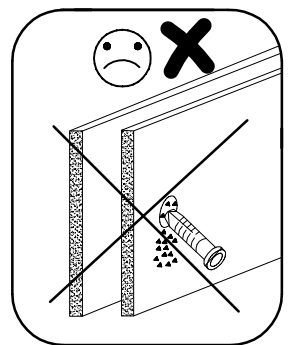
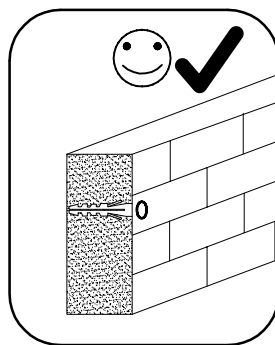
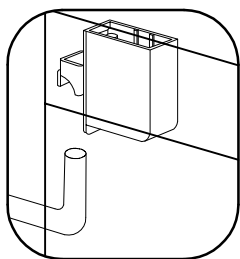
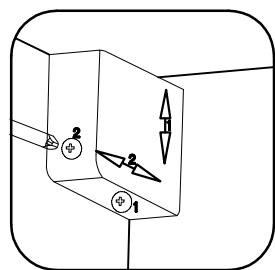
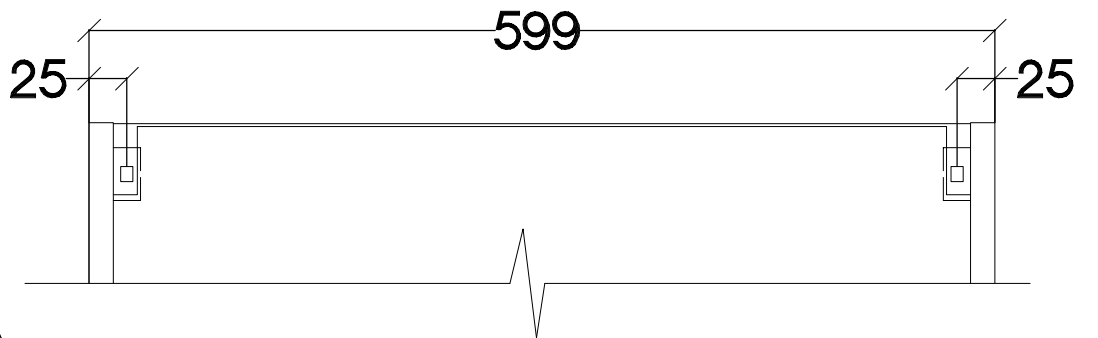
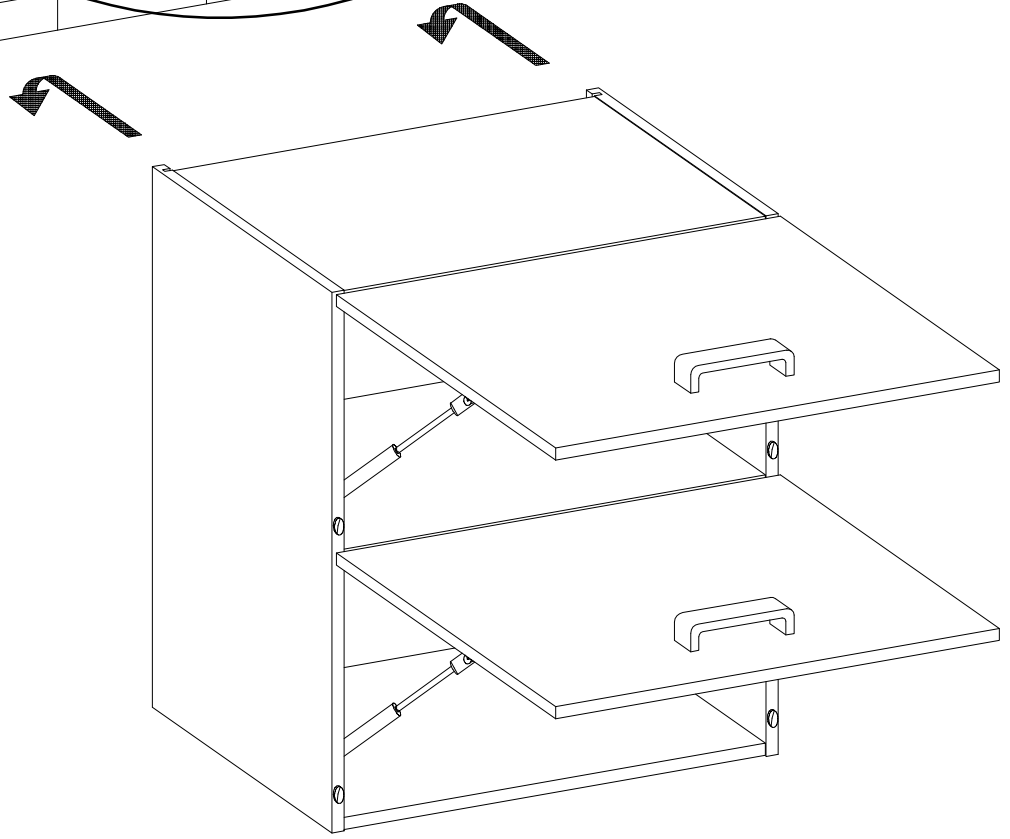
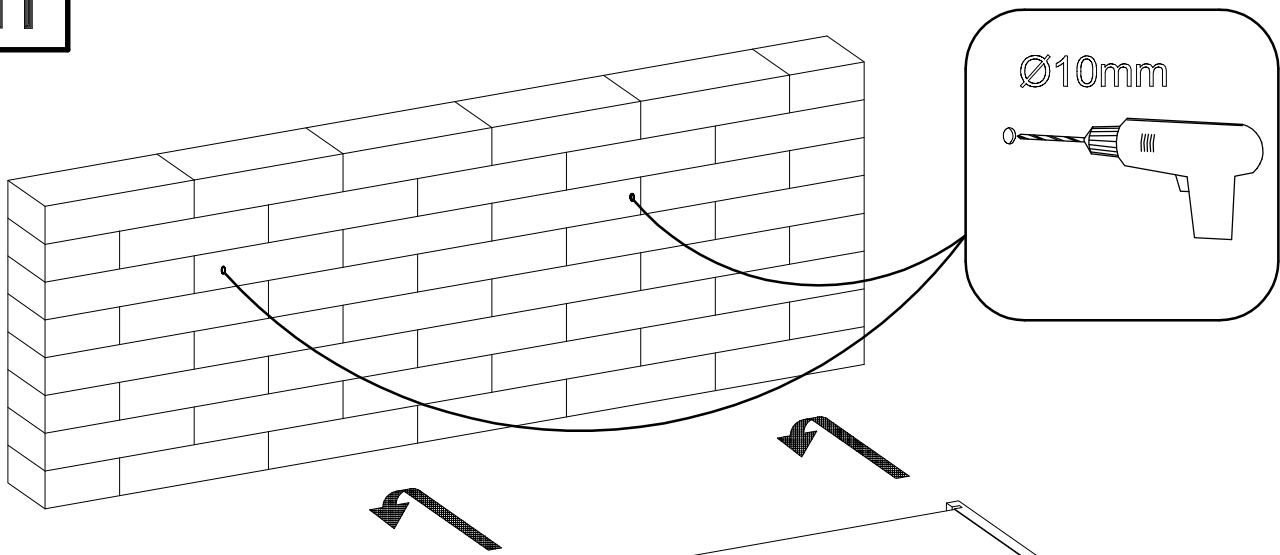


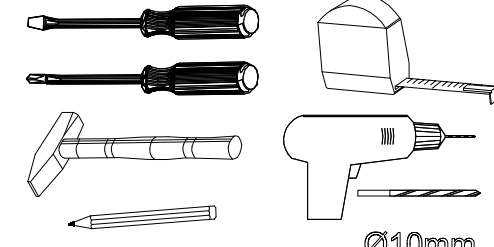
9



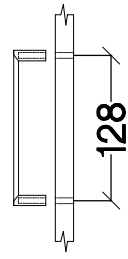
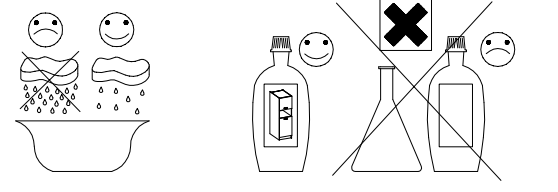
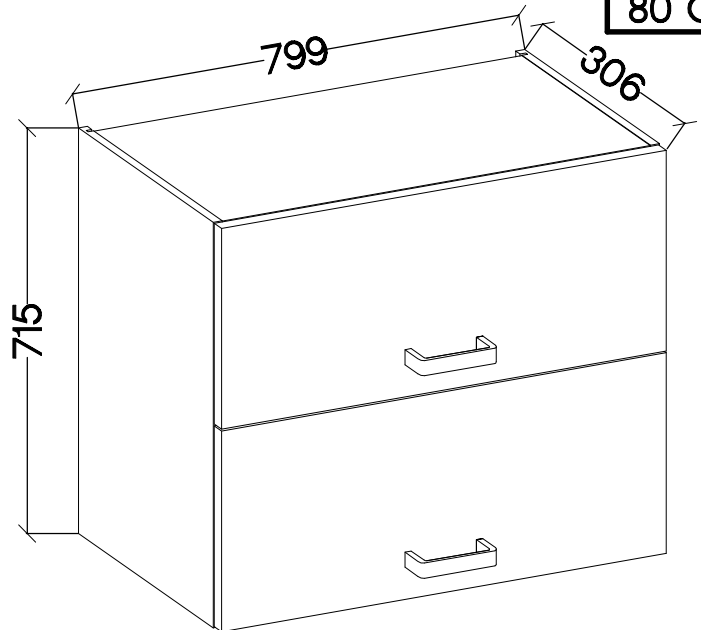
M4x22mm		
		
U	S23	J5
4	2	4





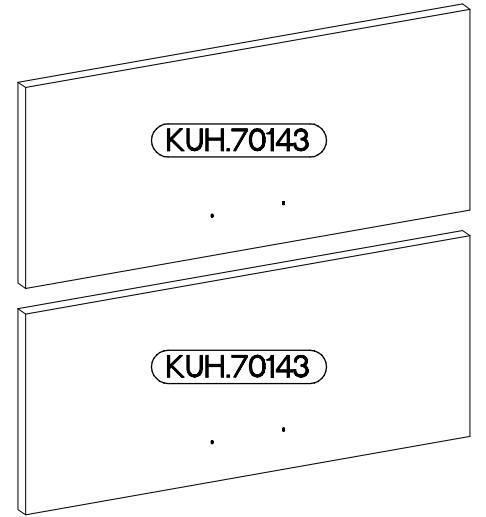
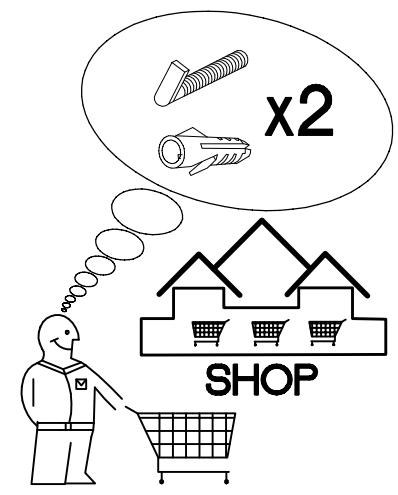
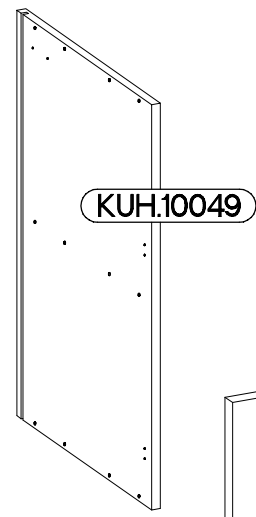
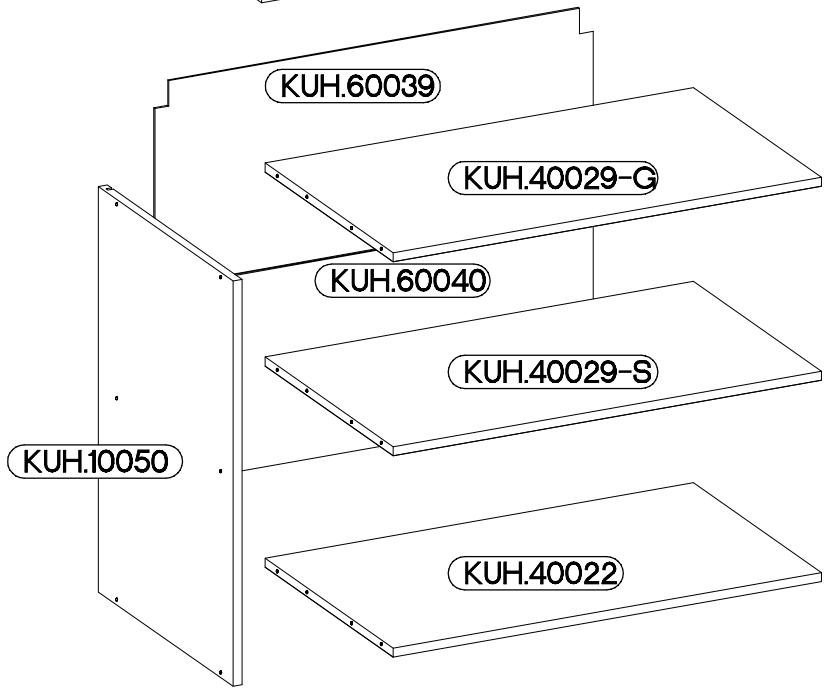


80 GU-72 2F

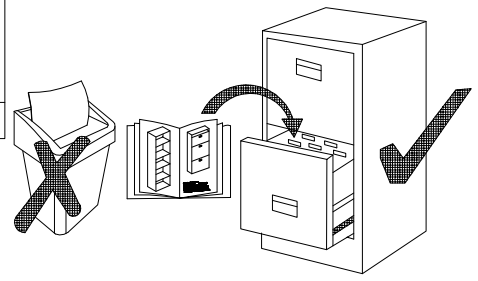


max. 5kg

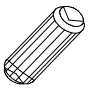
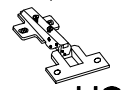


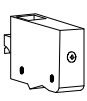
KUH.40029
KUH.40022

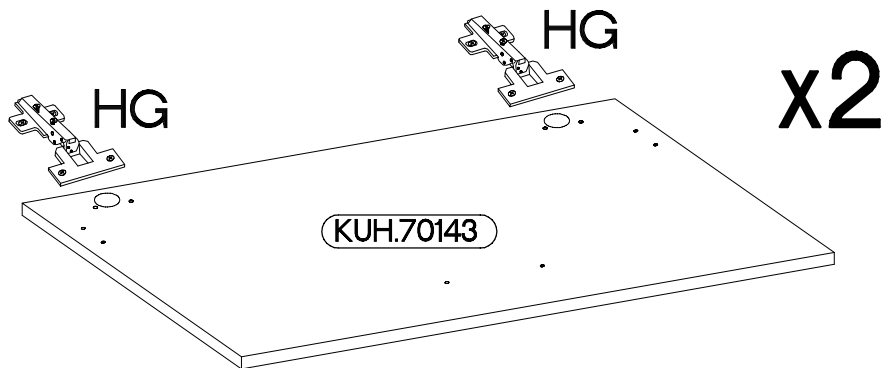
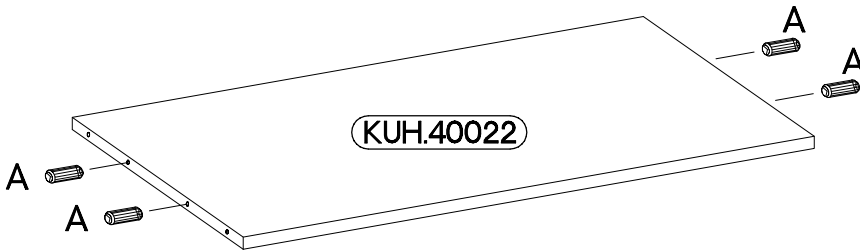
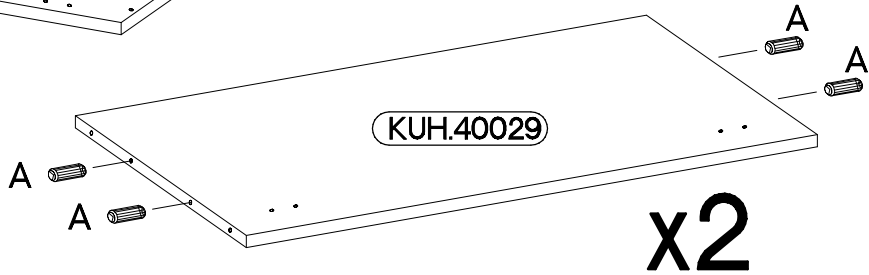
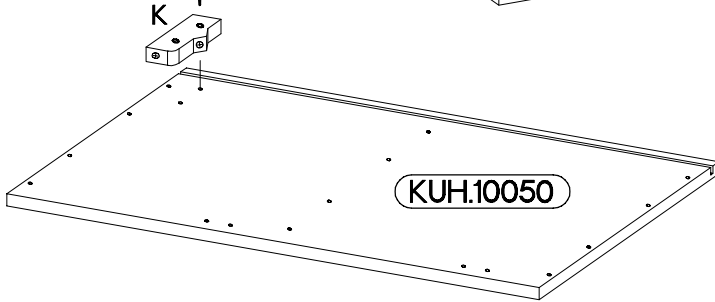
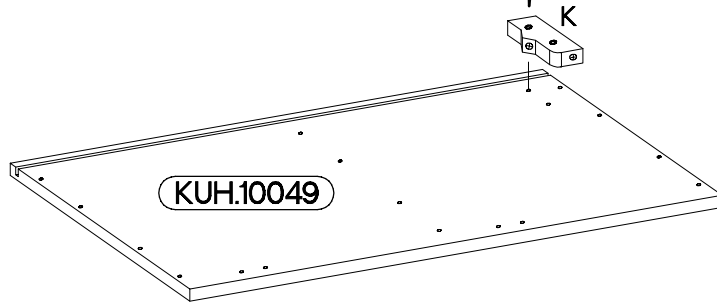
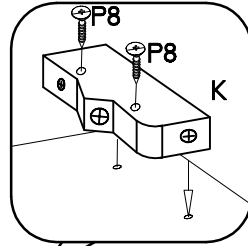
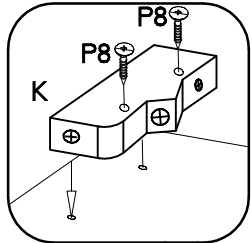
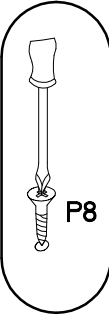
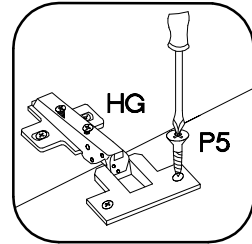
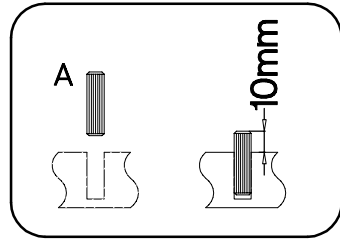
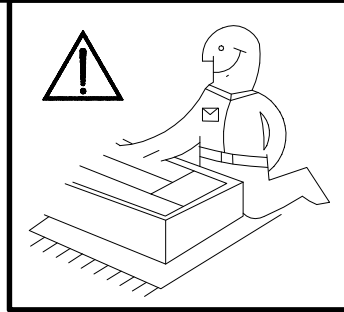


A 12	B 12	E1 12	HG 4	J5 4	K 2	K24 4
L2 5	O 1	P5 8	P7 10-15	P8 4	S23 2	U 4
±8x30mm	6,4 x 50mm		±35/0mm			
		±3.5x13mm	±3.0x20mm	±4.0x30mm		M4x22mm

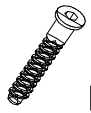
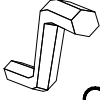



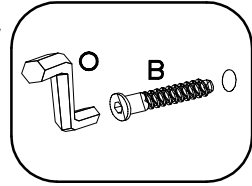
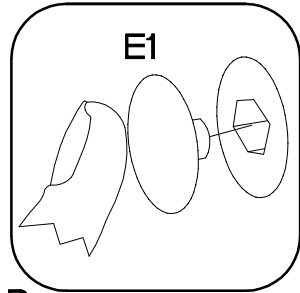
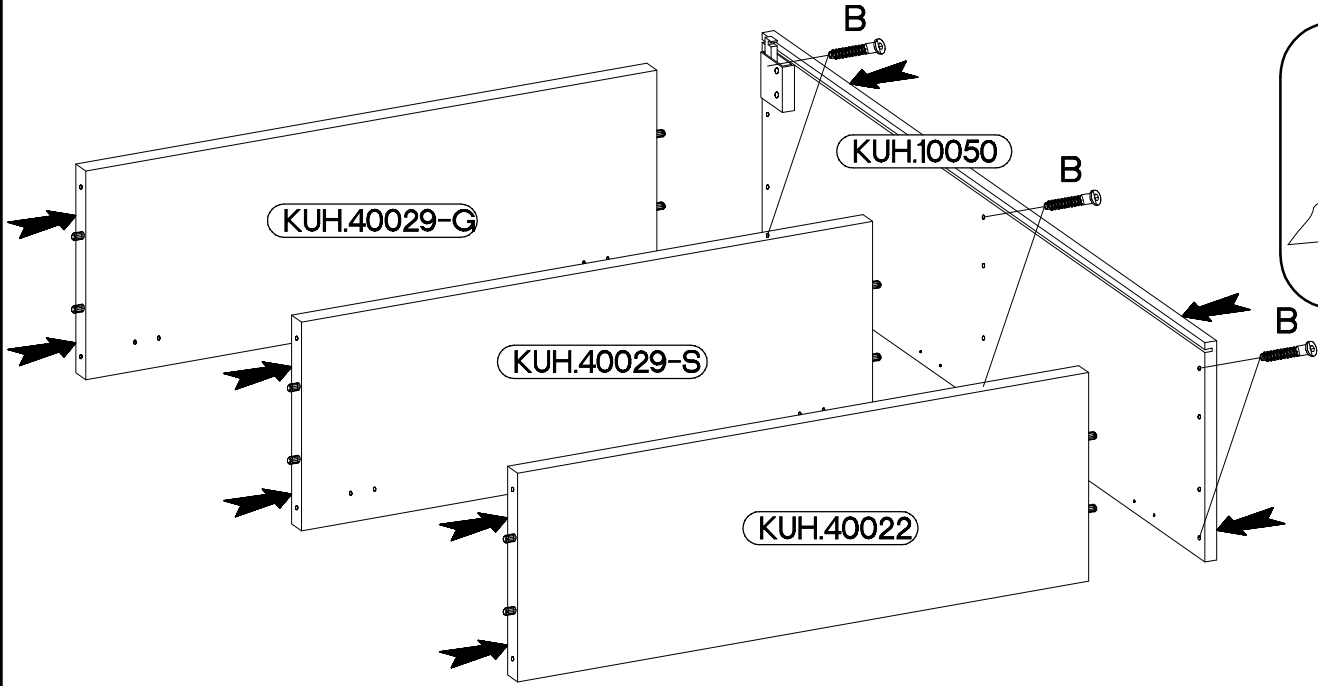
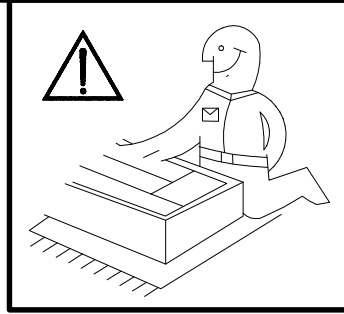
ISM-KUH-00926

±8x30mm  A 12	±35/0mm  HG 4	±3.5x13mm  P5 8	±4.0x30mm  P8 4	 K 2
--	--	--	--	--


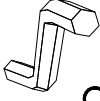



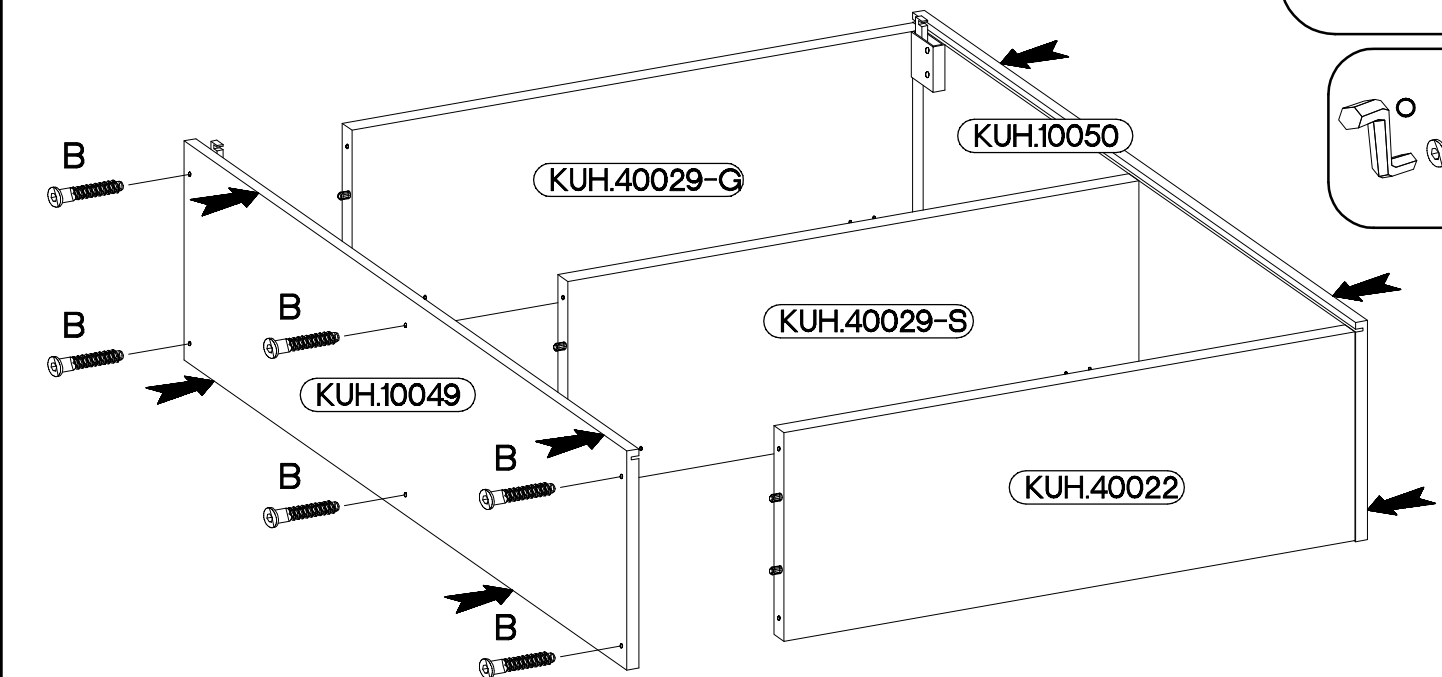
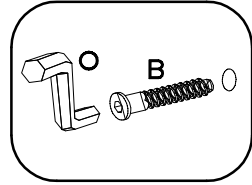
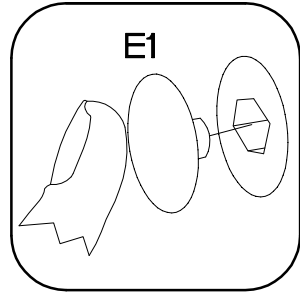
2

6,4 x 50mm		
		
B	O	E1
6	1	6

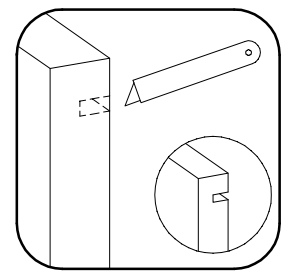
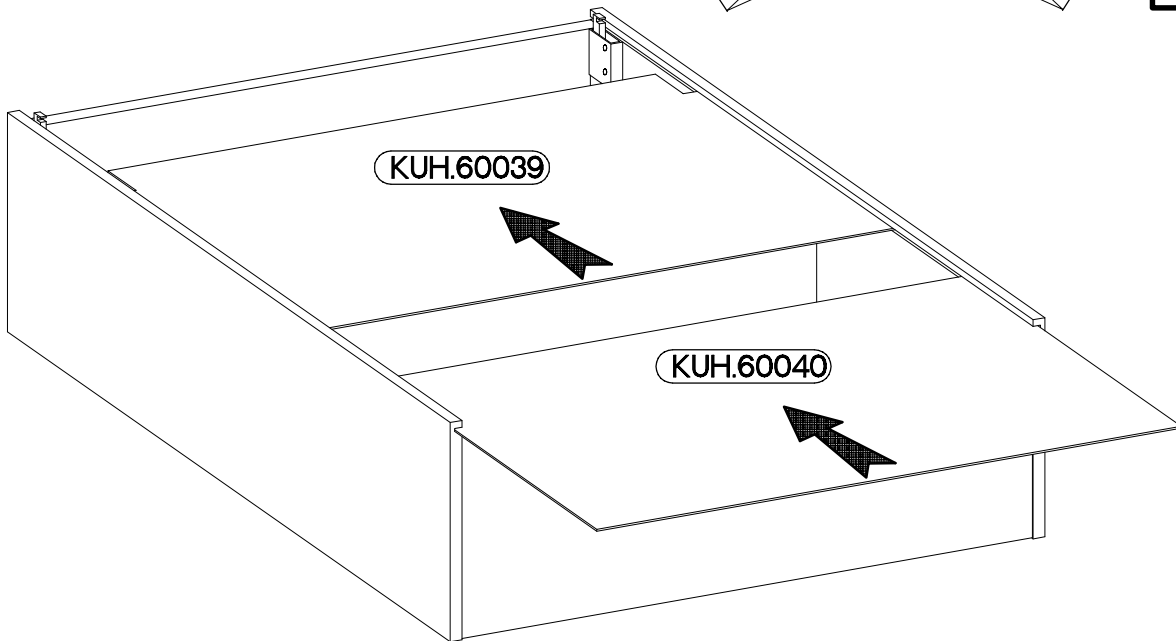
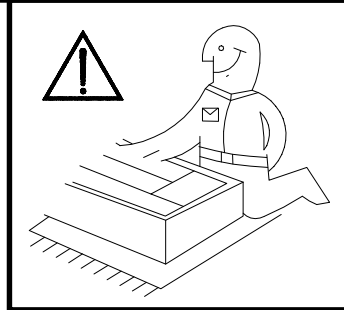
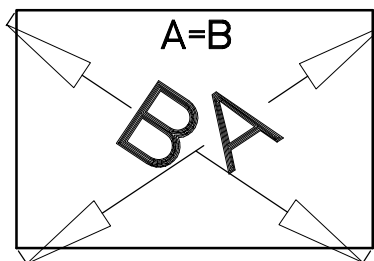


3

6,4 x 50mm		
		
B	O	E1
6	1	6

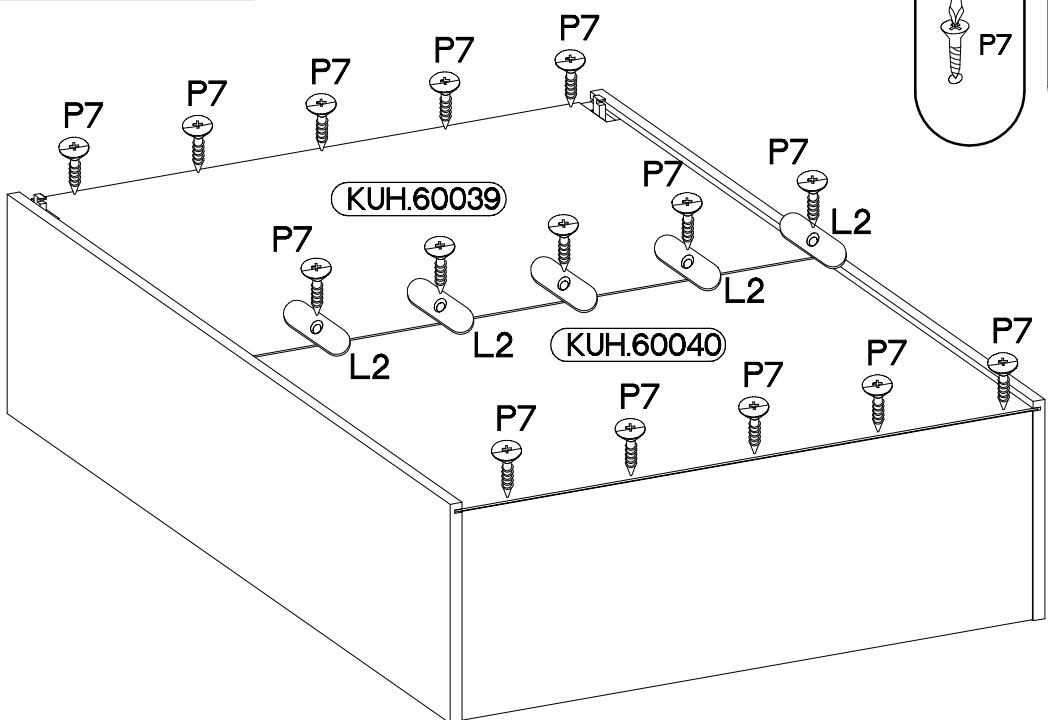
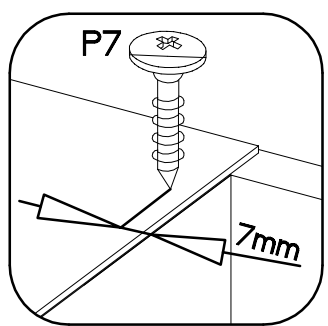
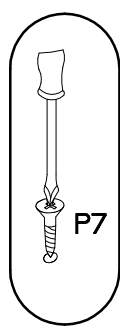


4

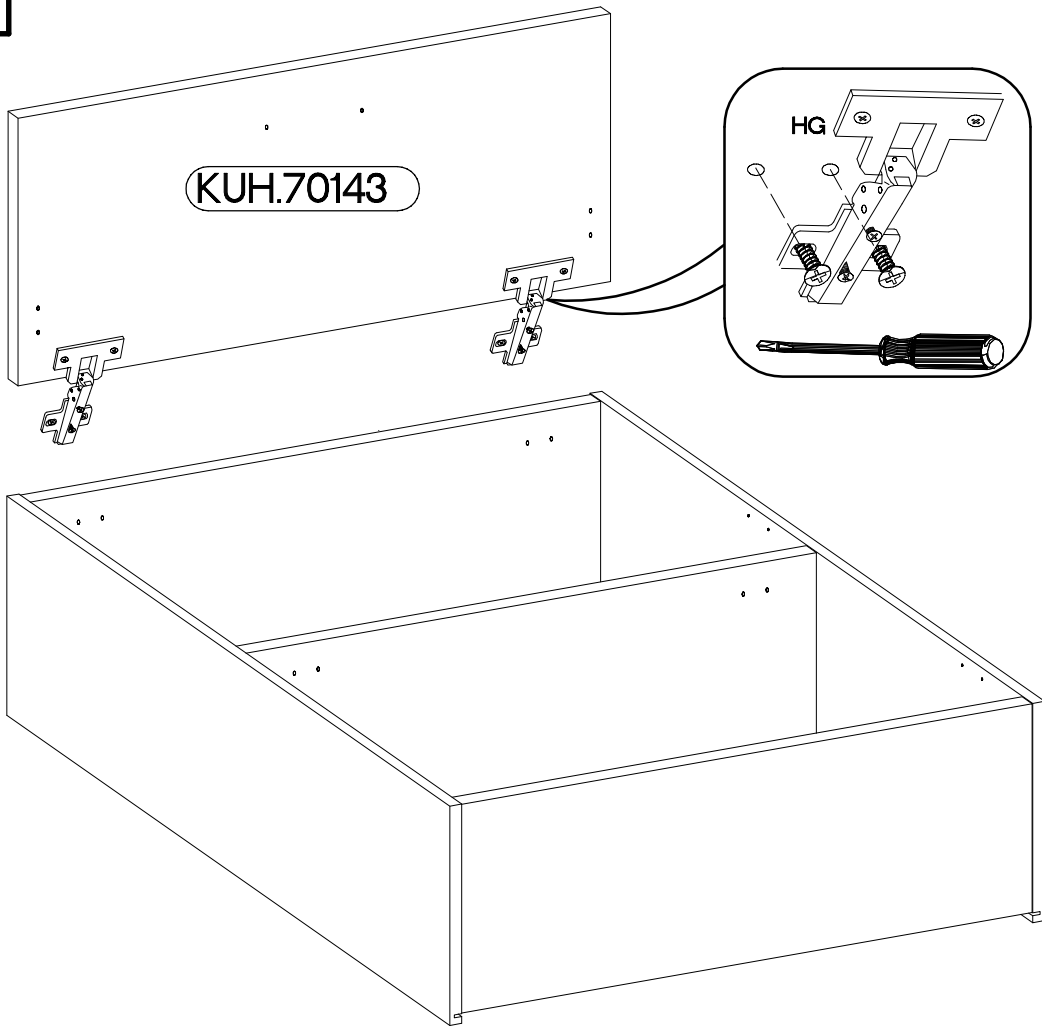
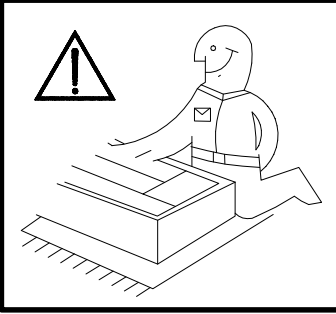


5

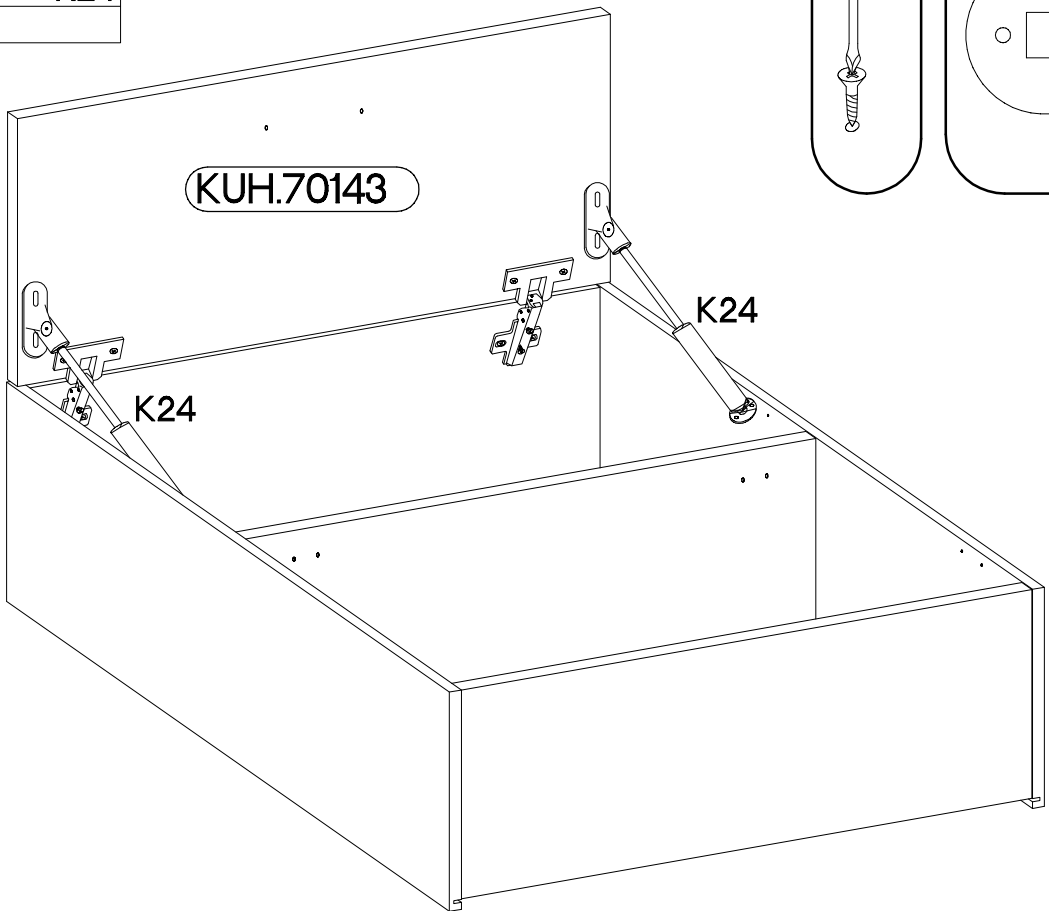
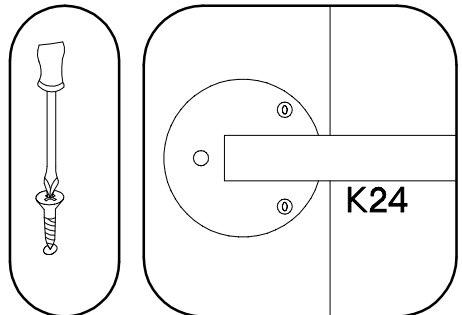
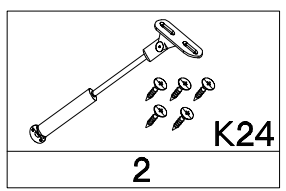
†3.0x20mm P7 10-15	 L2 5
------------------------------	-------------



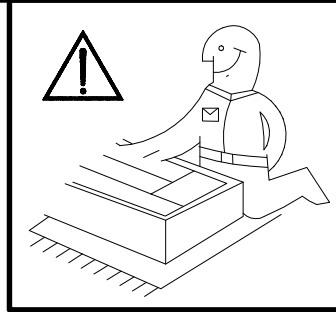
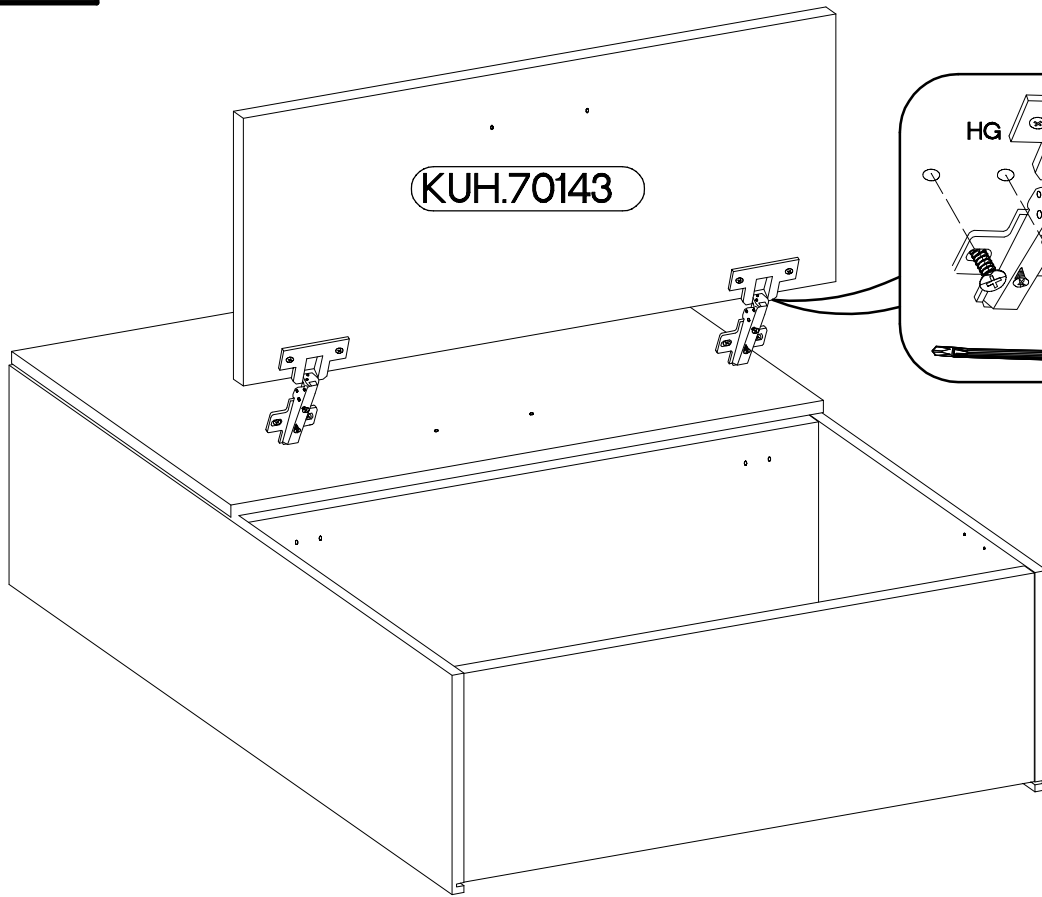
6



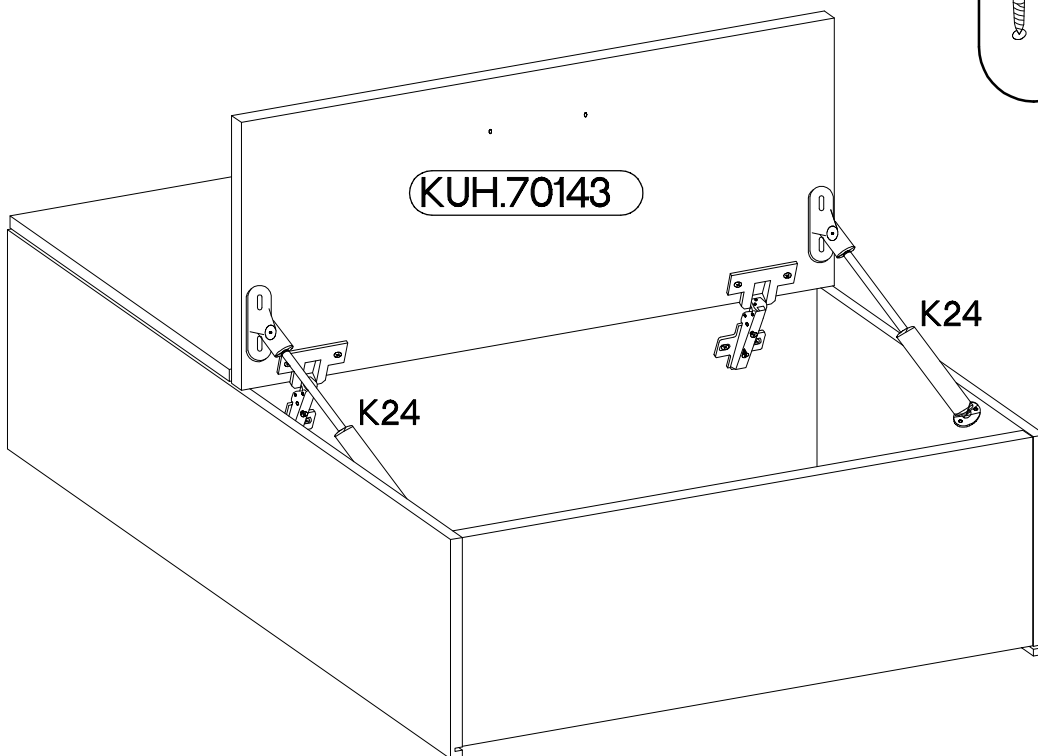
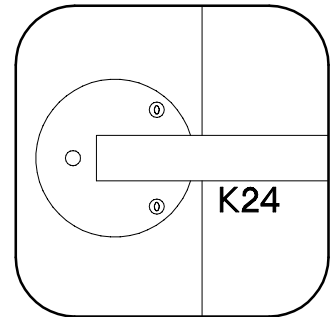
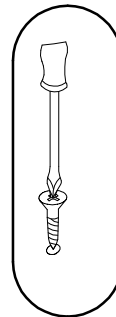
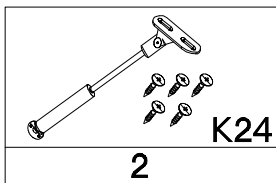
7






8



9



M4x22mm			
	U	S23	J5
	4	2	4

