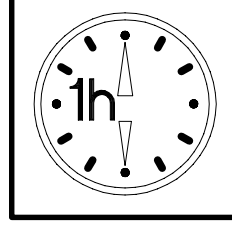
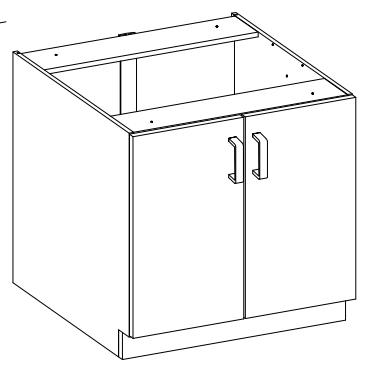
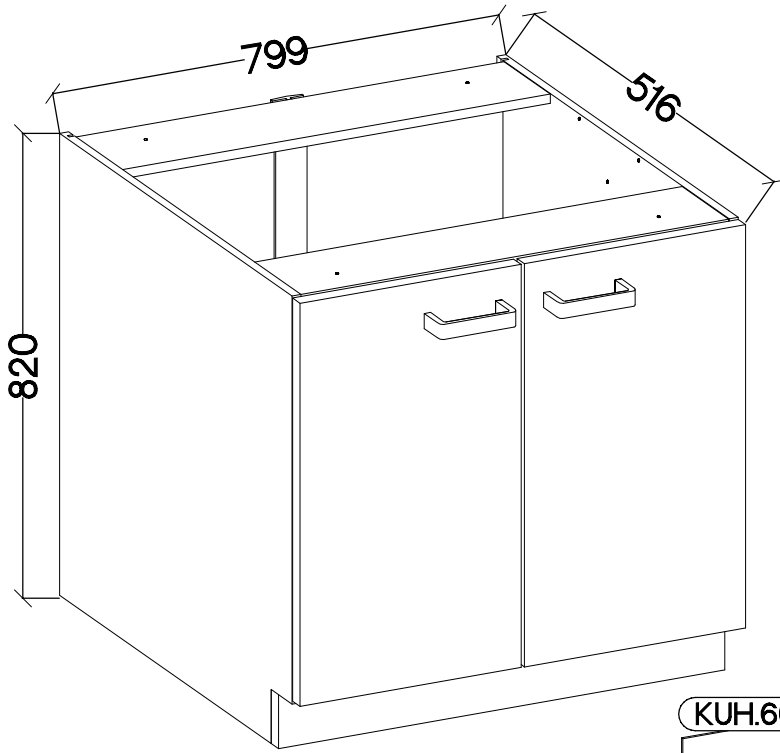
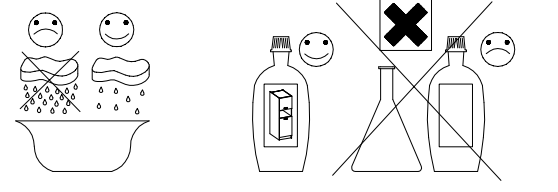
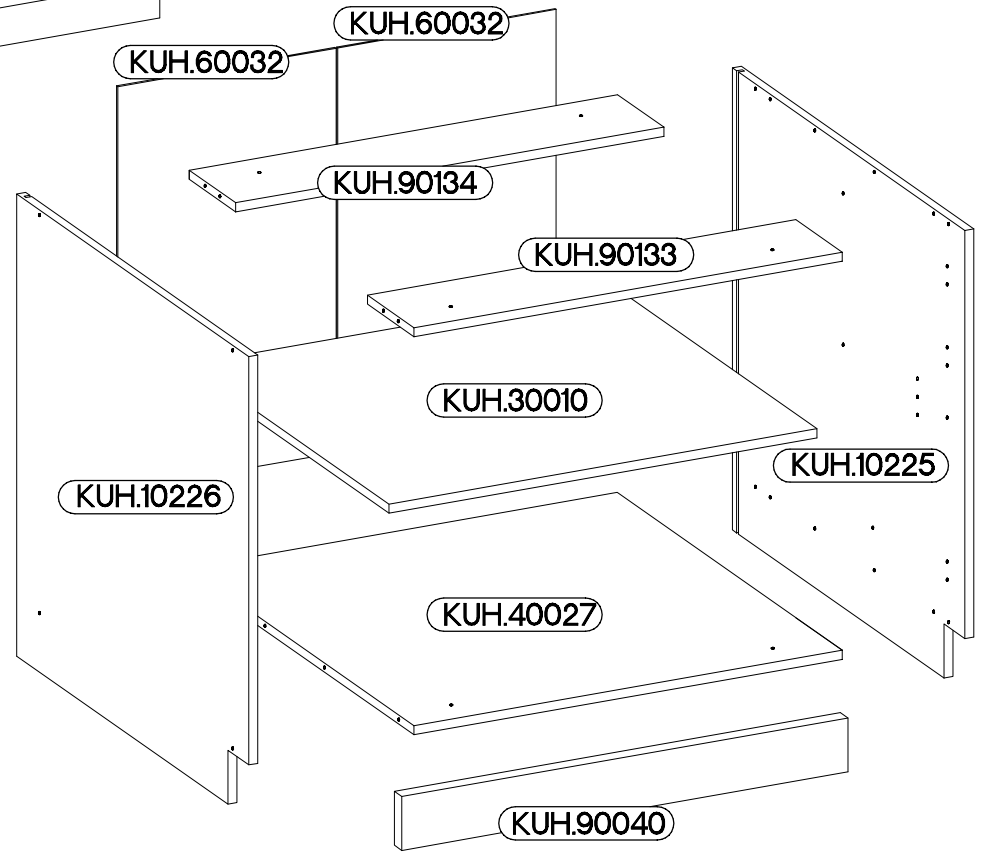
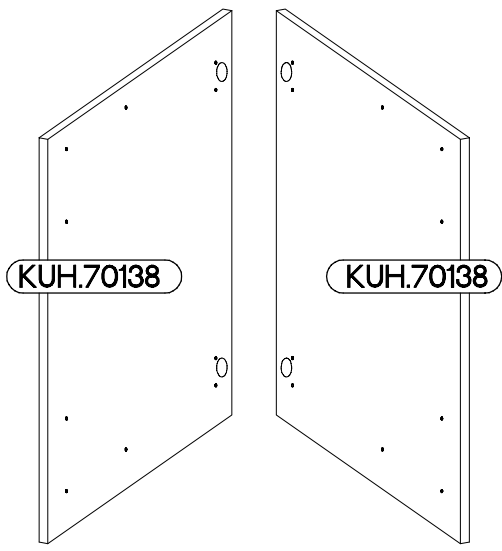
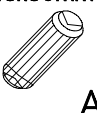
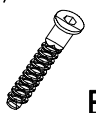


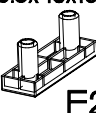
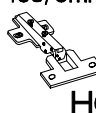
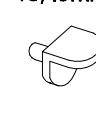
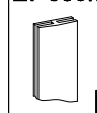
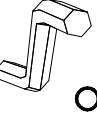


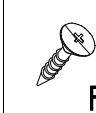
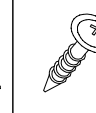
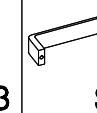
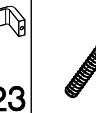


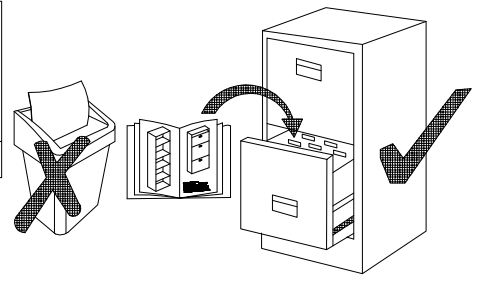
80 D 2F BB



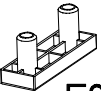
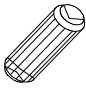
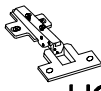

max. 10kg
 KUH.30010
 KUH.40027

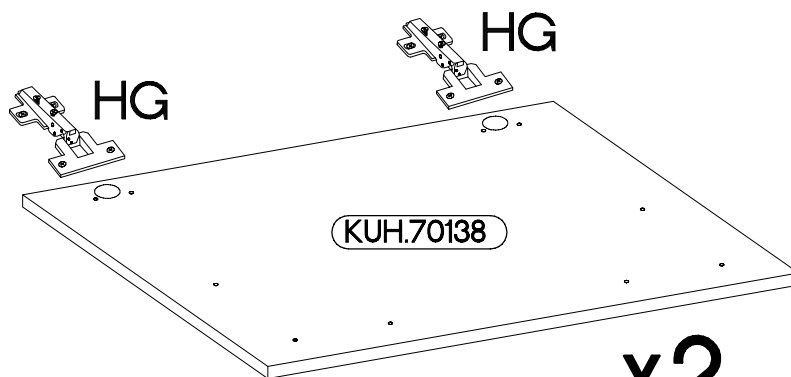
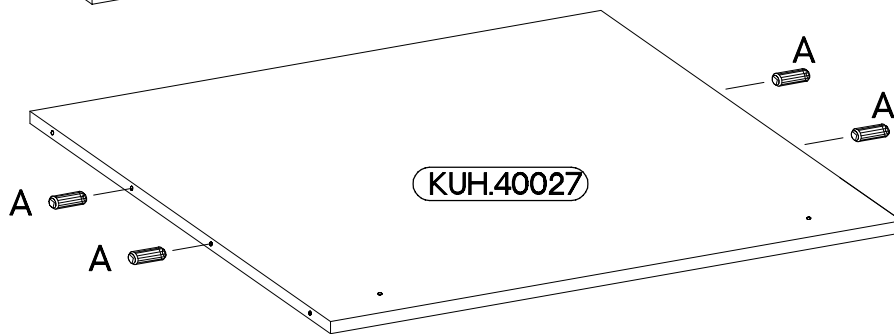
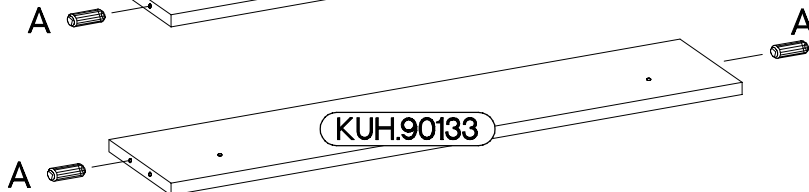
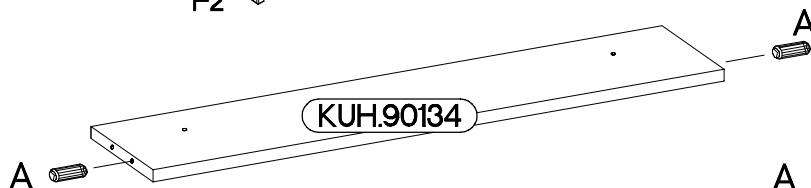
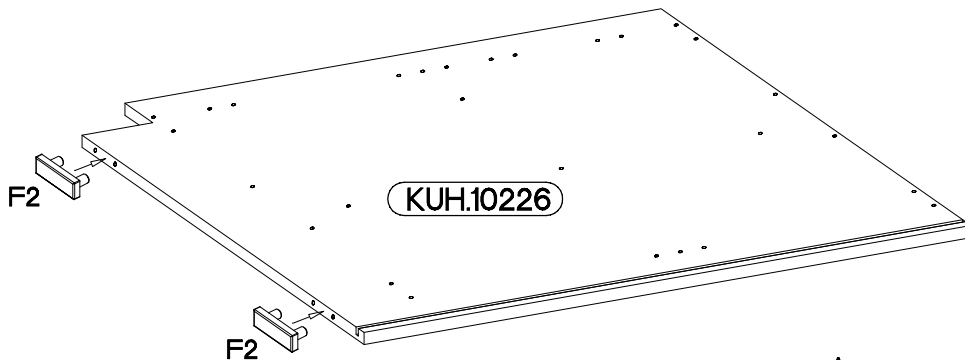
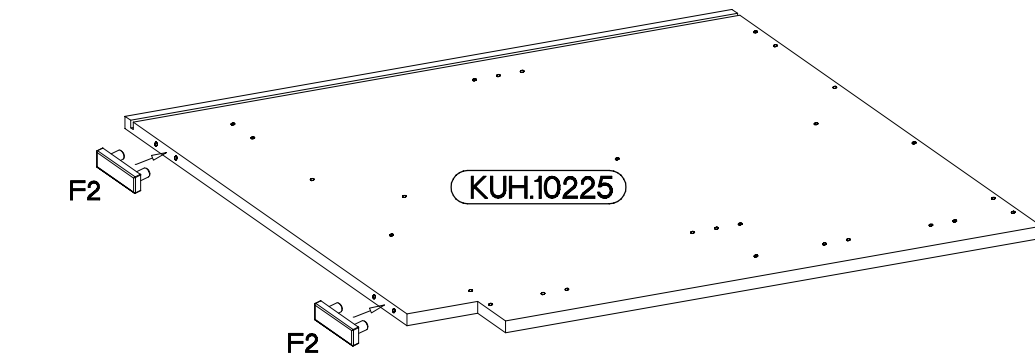
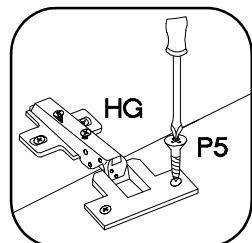
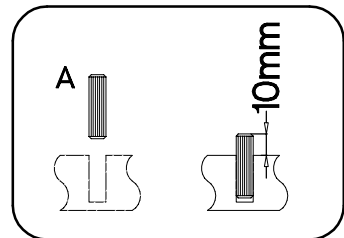
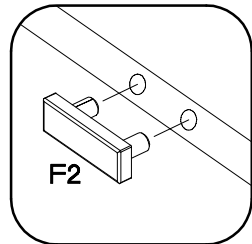
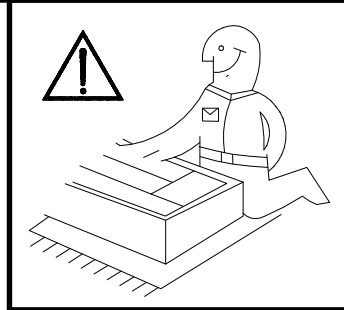


 A 8	 B 8	 E1 8	 E9 2	 F2 4	 HG 4	 J 4	 L1 1
 O 1	 P4 2	 P5 8	 P7 10-15	 R3 4	 S23 2	 U 4	



ISM-KUH-00929

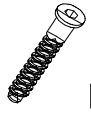
6.5x48x16	±8x30mm	±35/0mm	±3.5x13mm
 F2	 A	 HG	 P5
4	8	4	8



x2

2

6,4 x 50mm



B

4



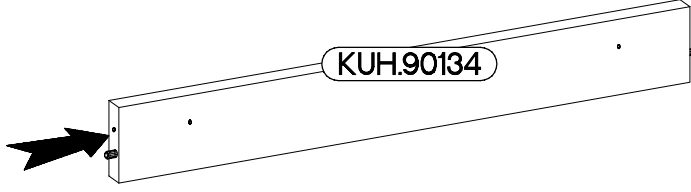
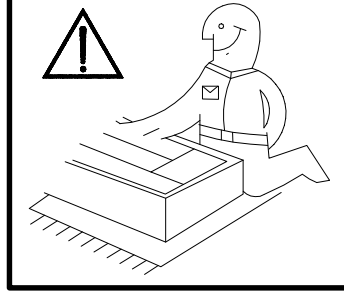
O

1

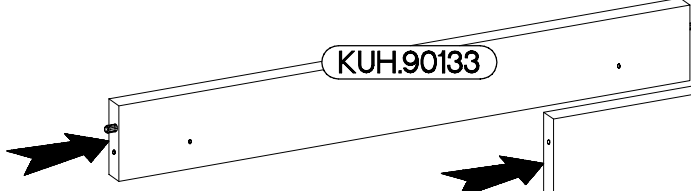


E1

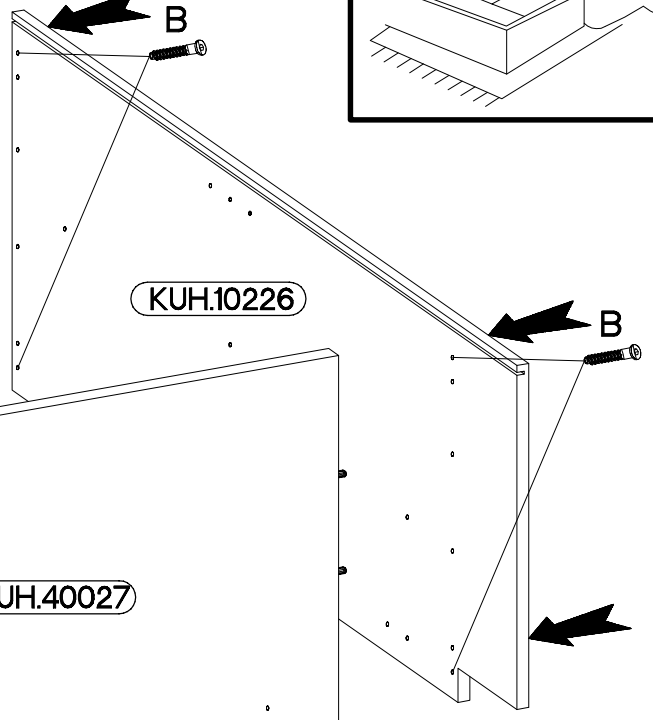
4



KUH.90134

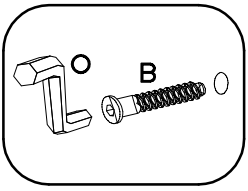


KUH.90133



KUH.10226

KUH.40027



3

6,4 x 50mm



B

4



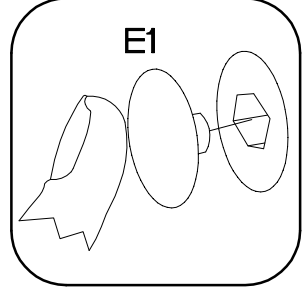
O

1

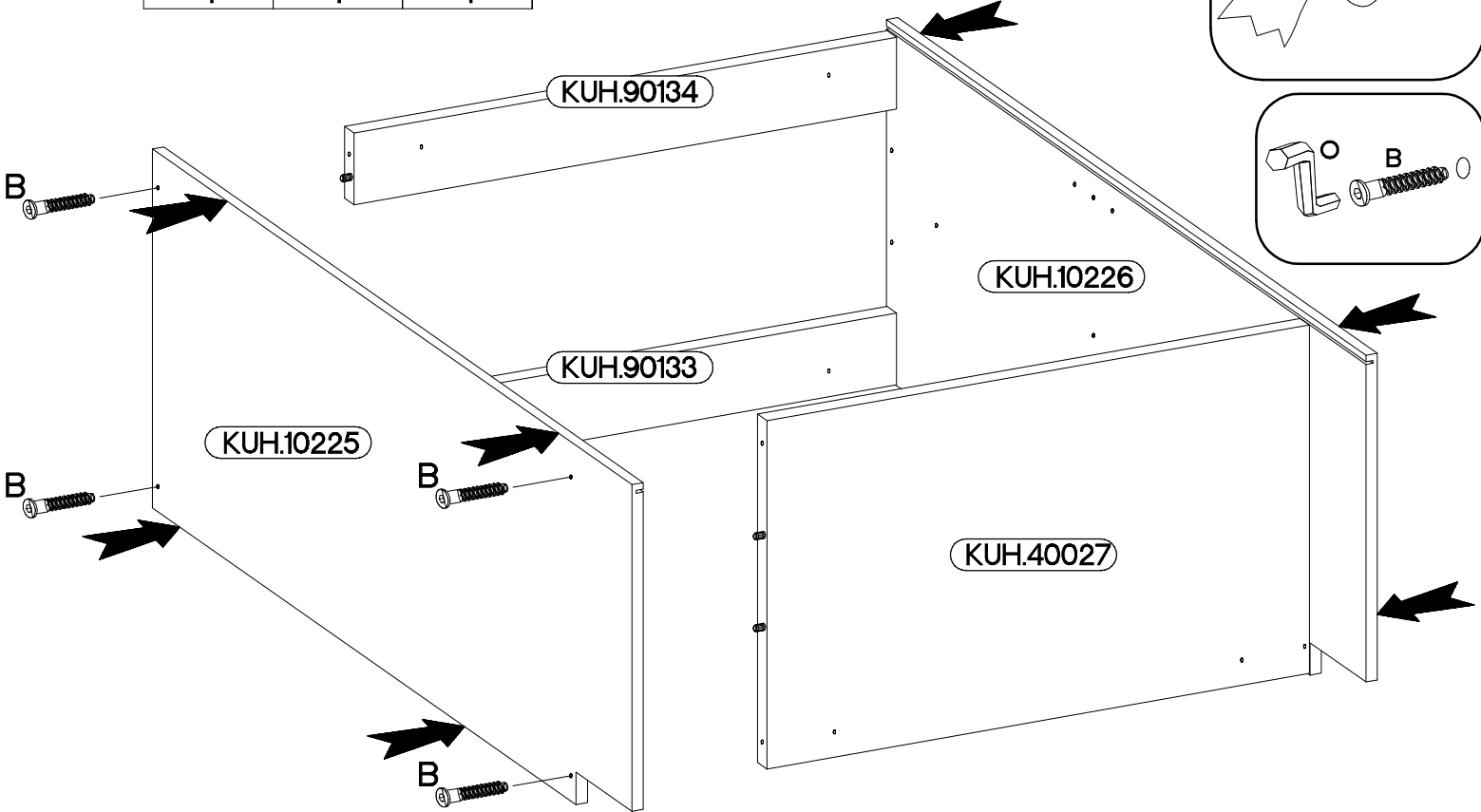
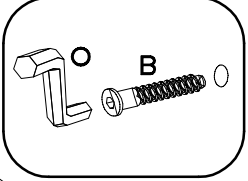


E1

4



E1



KUH.90134

KUH.10226

KUH.10225

KUH.90133

KUH.40027

6

4.0x45mm



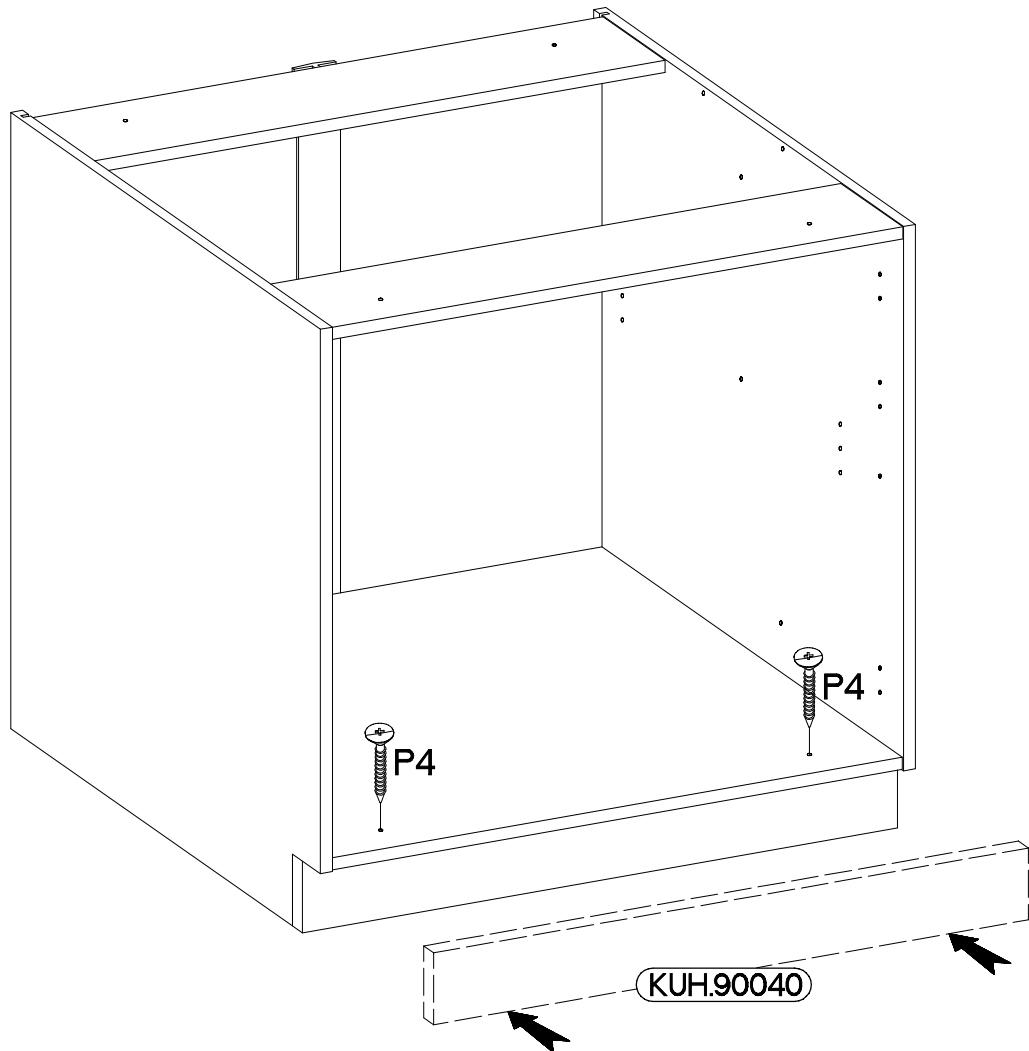
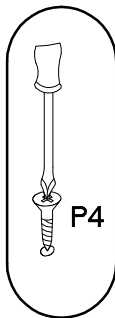
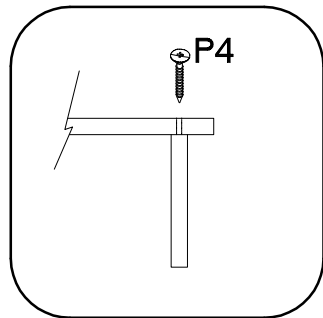
P4

2



E9

2



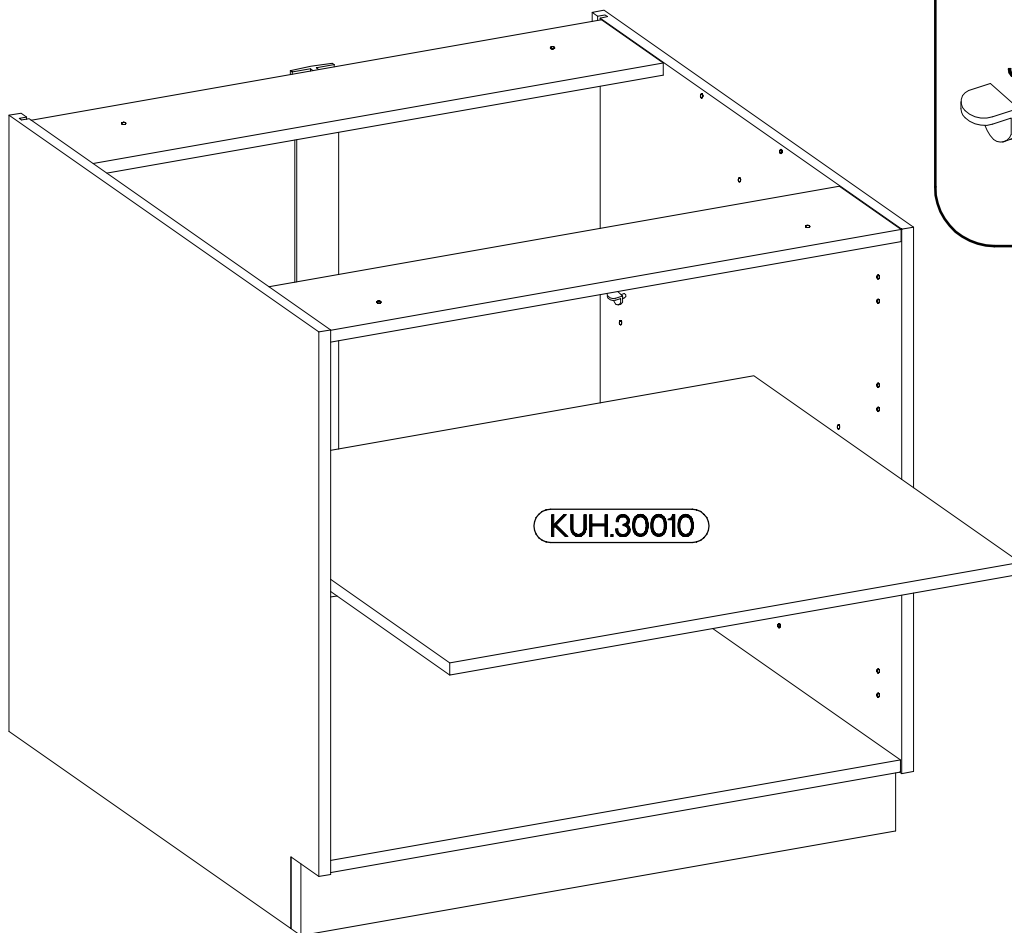
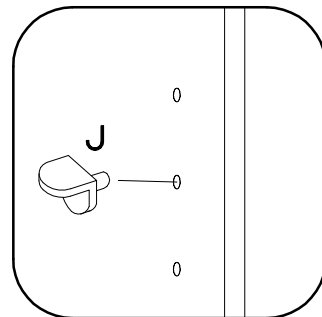
7

5/19mm



J

4



8

4.0x35mm



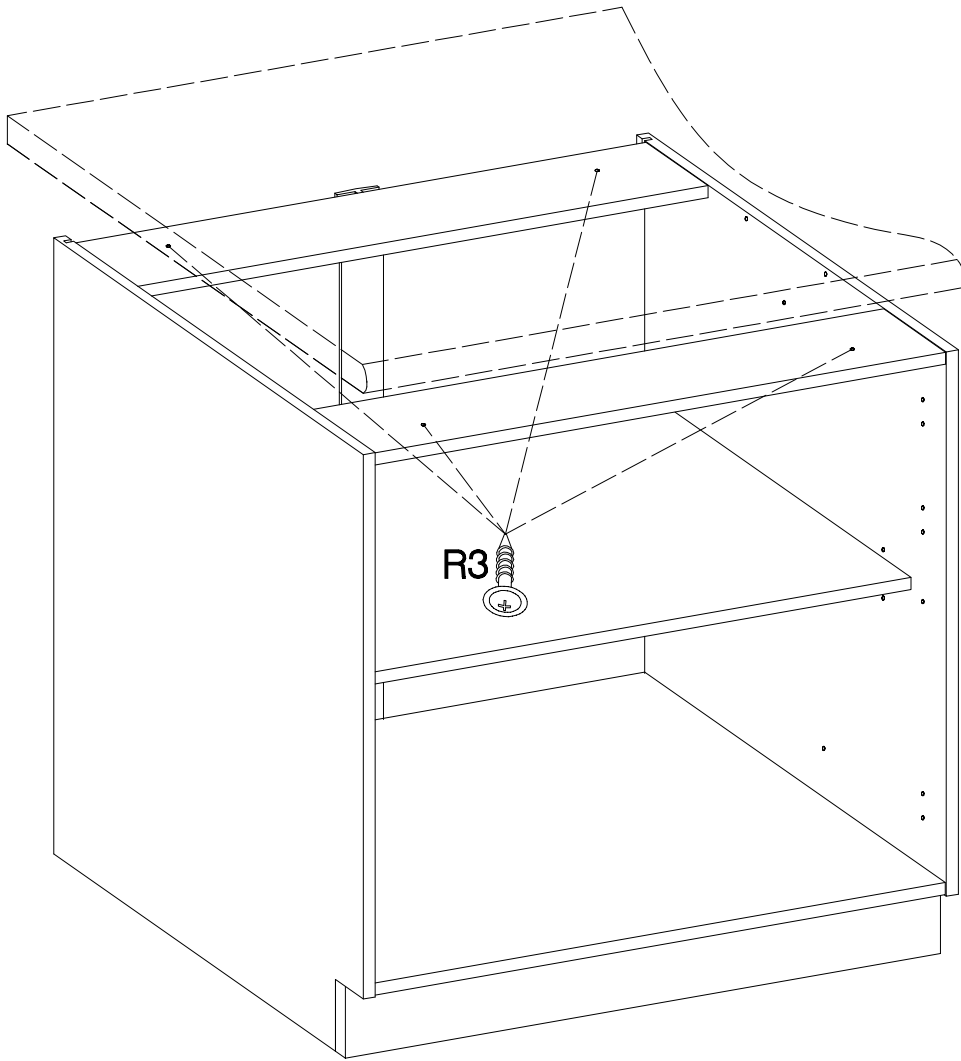
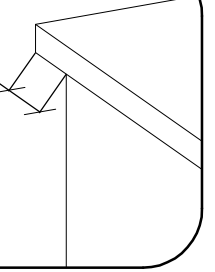
R3

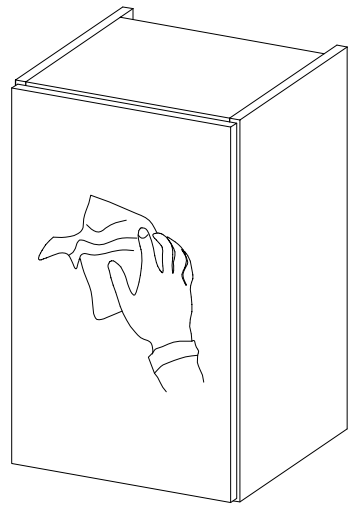
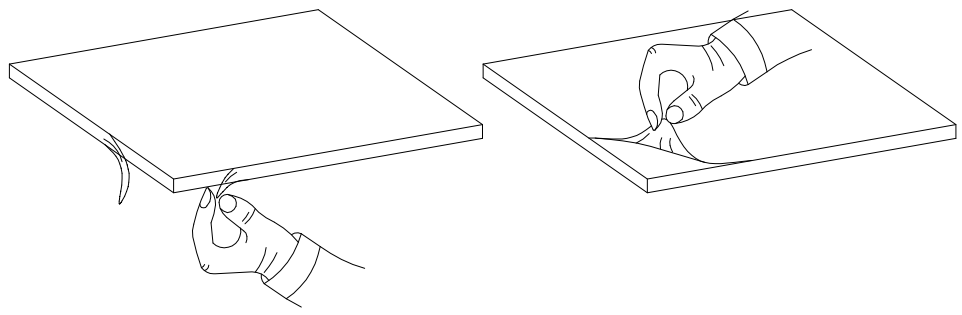
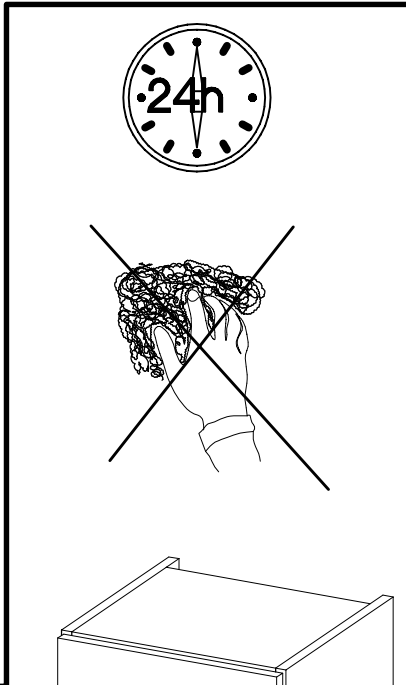
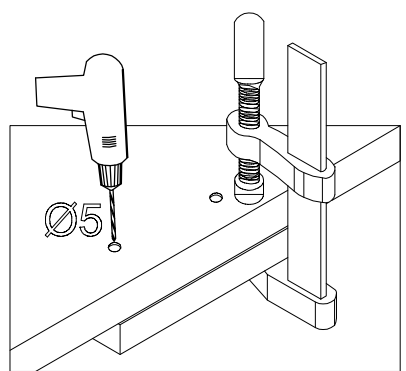
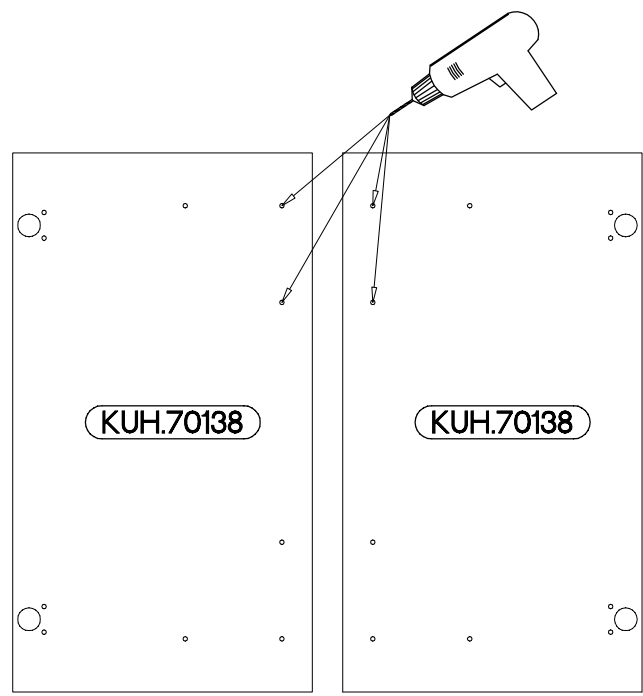
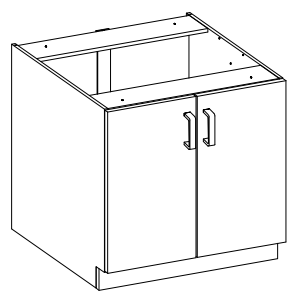
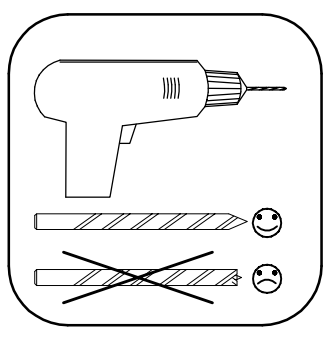
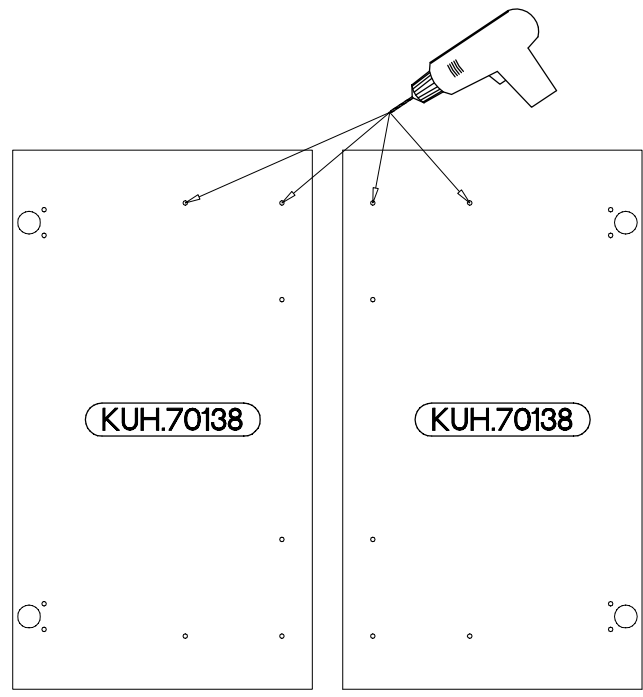
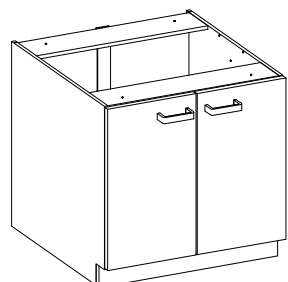
4



P3

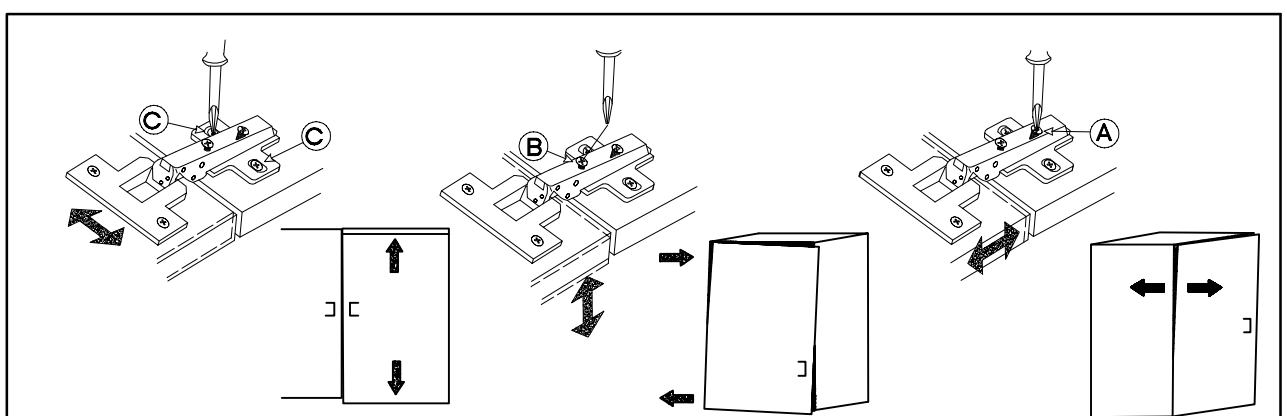
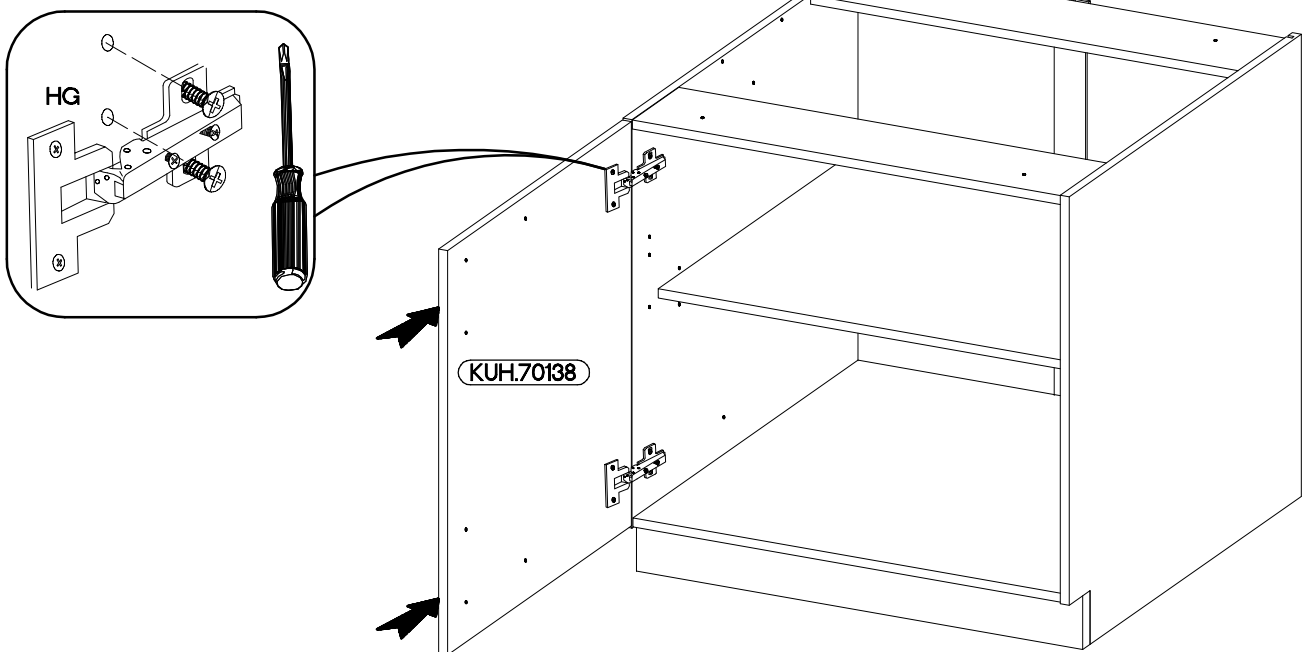
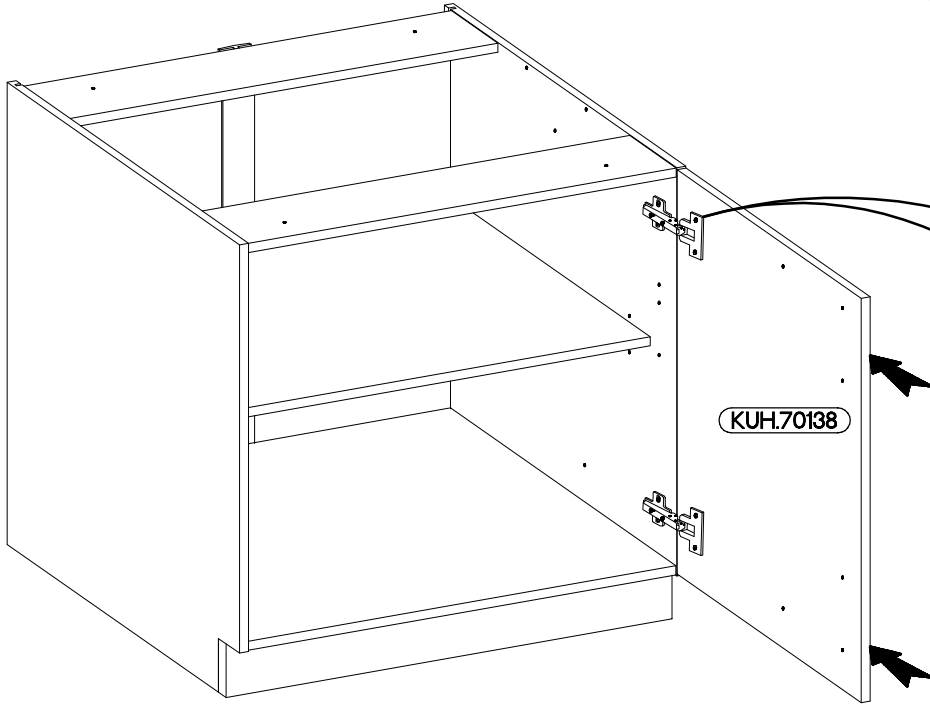
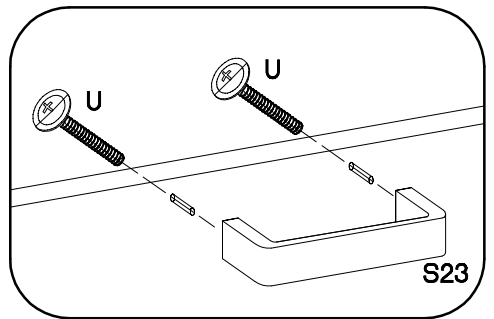
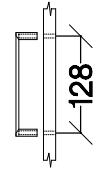


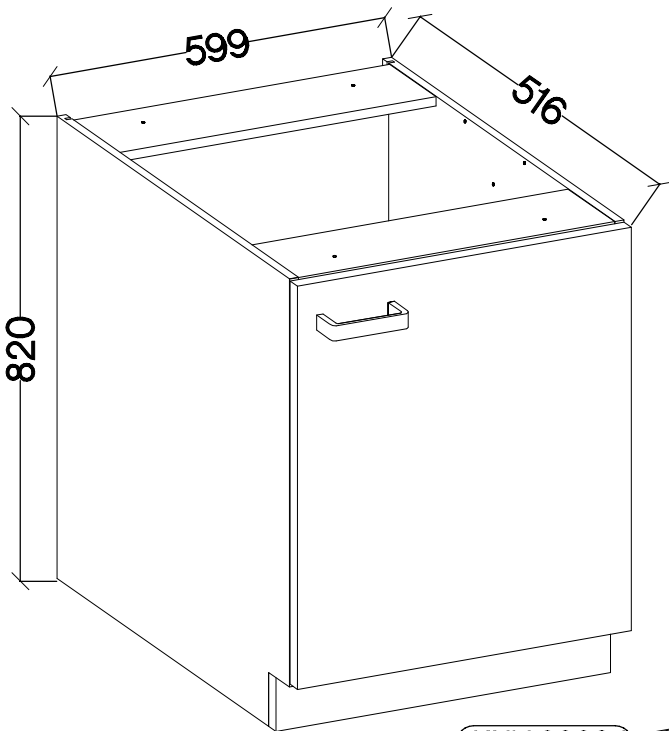
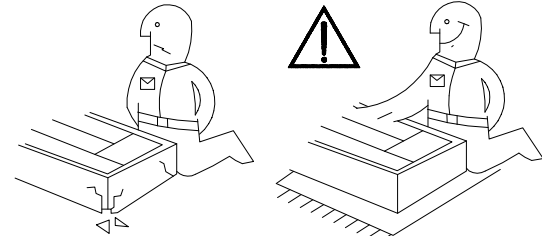
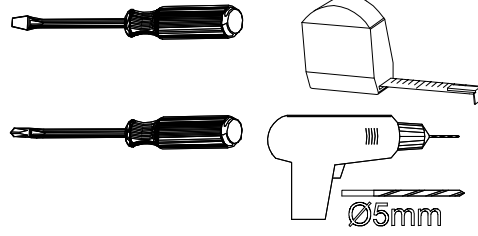
5cm



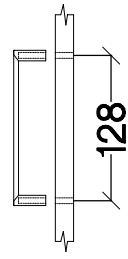
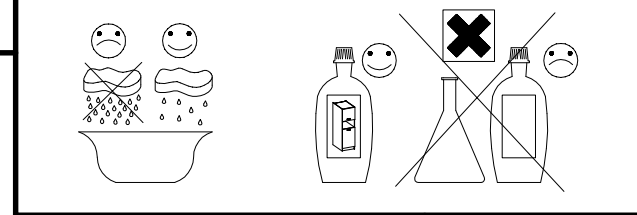
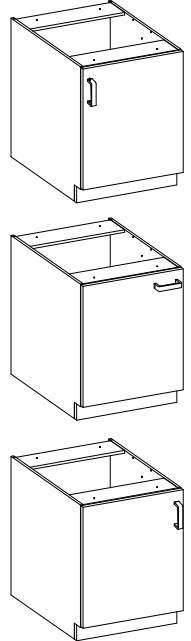


M4x22mm	
	
U	S23
4	2



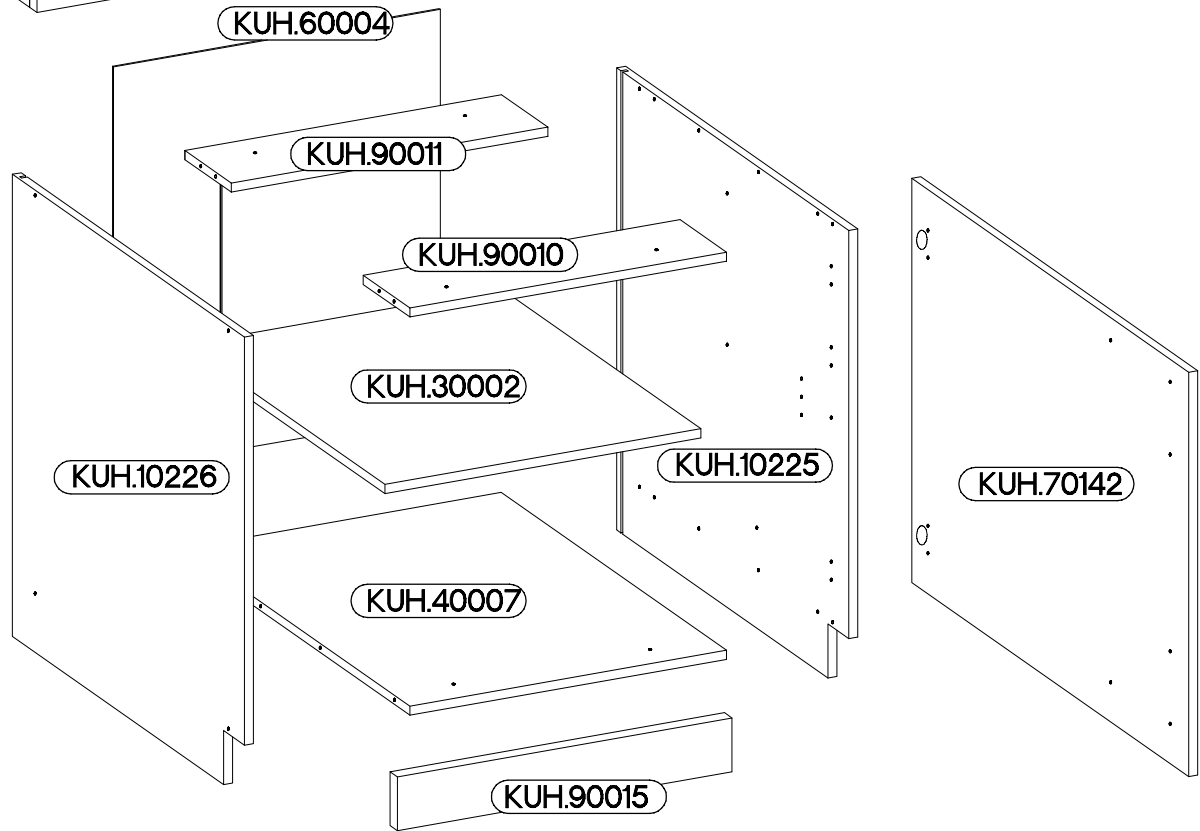
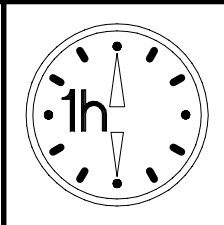


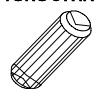




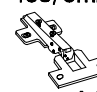

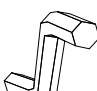




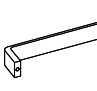

60 D 1F BB

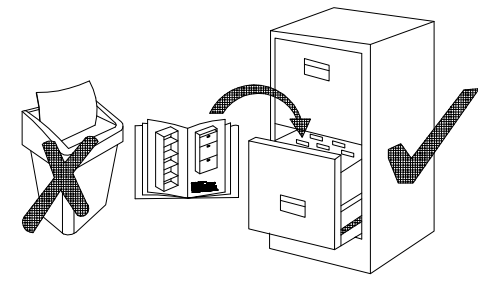


max.
10kg

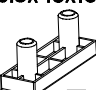
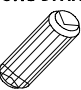
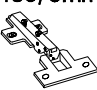

KUH.30002
KUH.40007

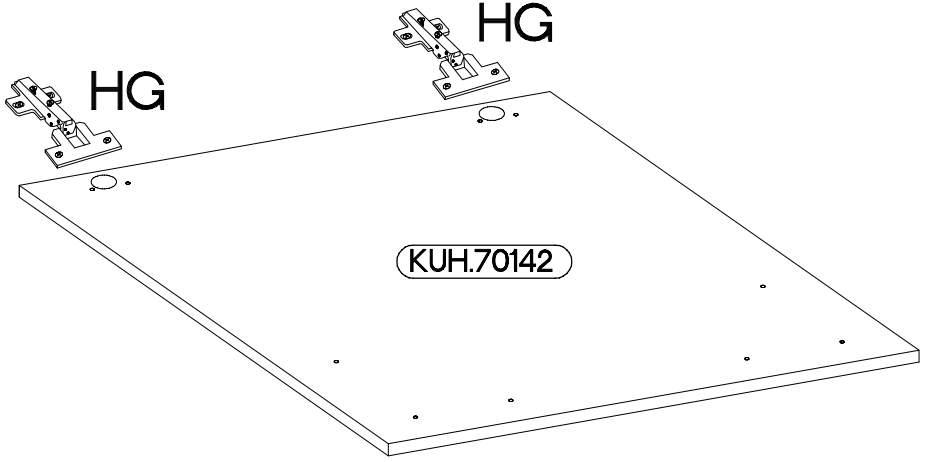
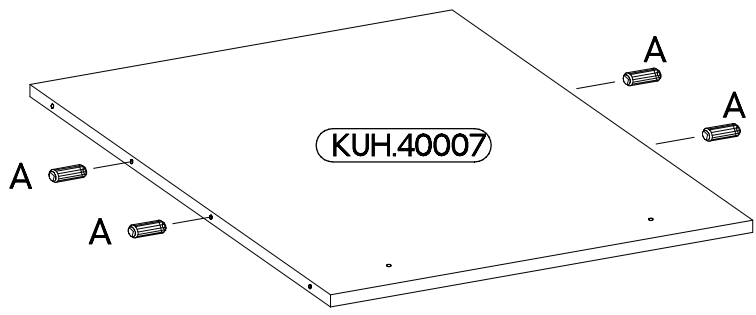
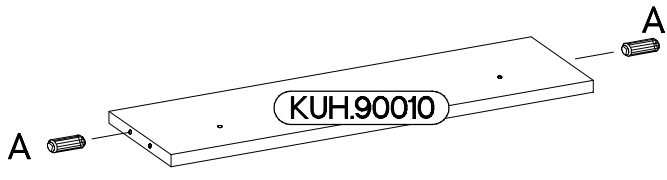
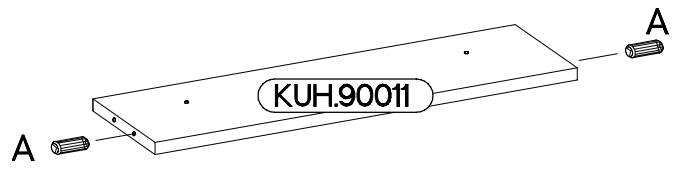
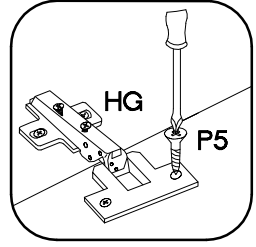
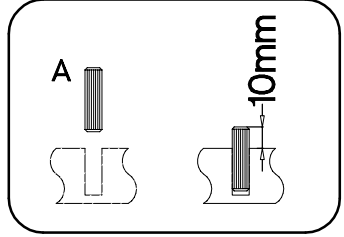
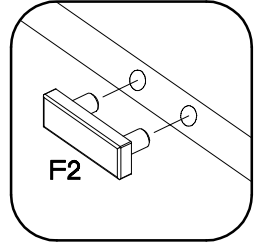
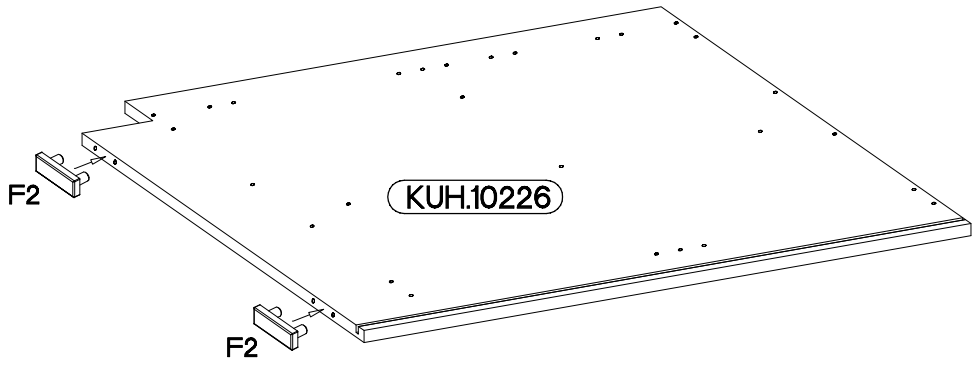
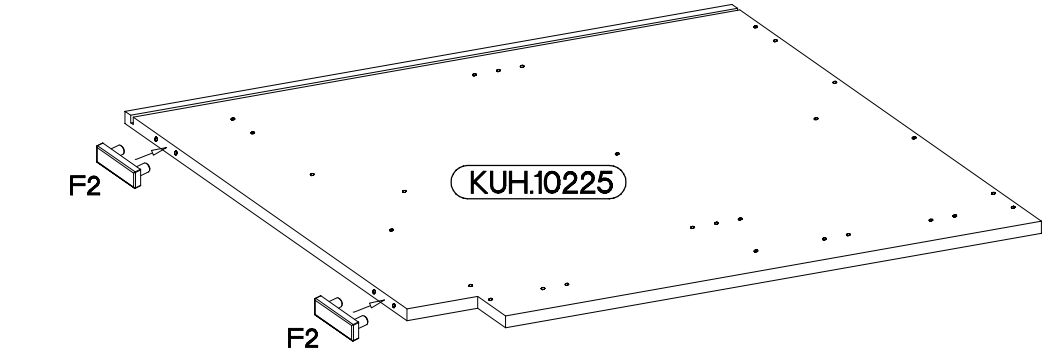
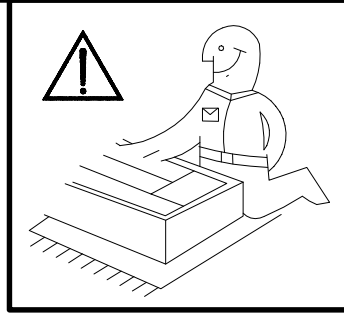


 A	 B	 E1	 E9	 F2	 HG	 J
8	8	8	2	4	2	4
 O	 P4	 P5	 P7	 R3	 S23	 U
1	2	4	8-10	4	1	2



ISM-KUH-00928

6.5x48x16	±8x30mm	±35/0mm	±3.5x13mm
			
F2	A	HG	P5
4	8	2	4



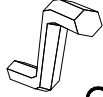
2

6,4 x 50mm



B

4



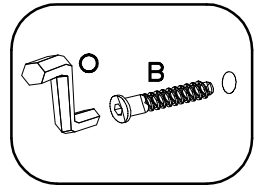
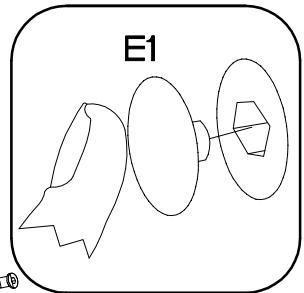
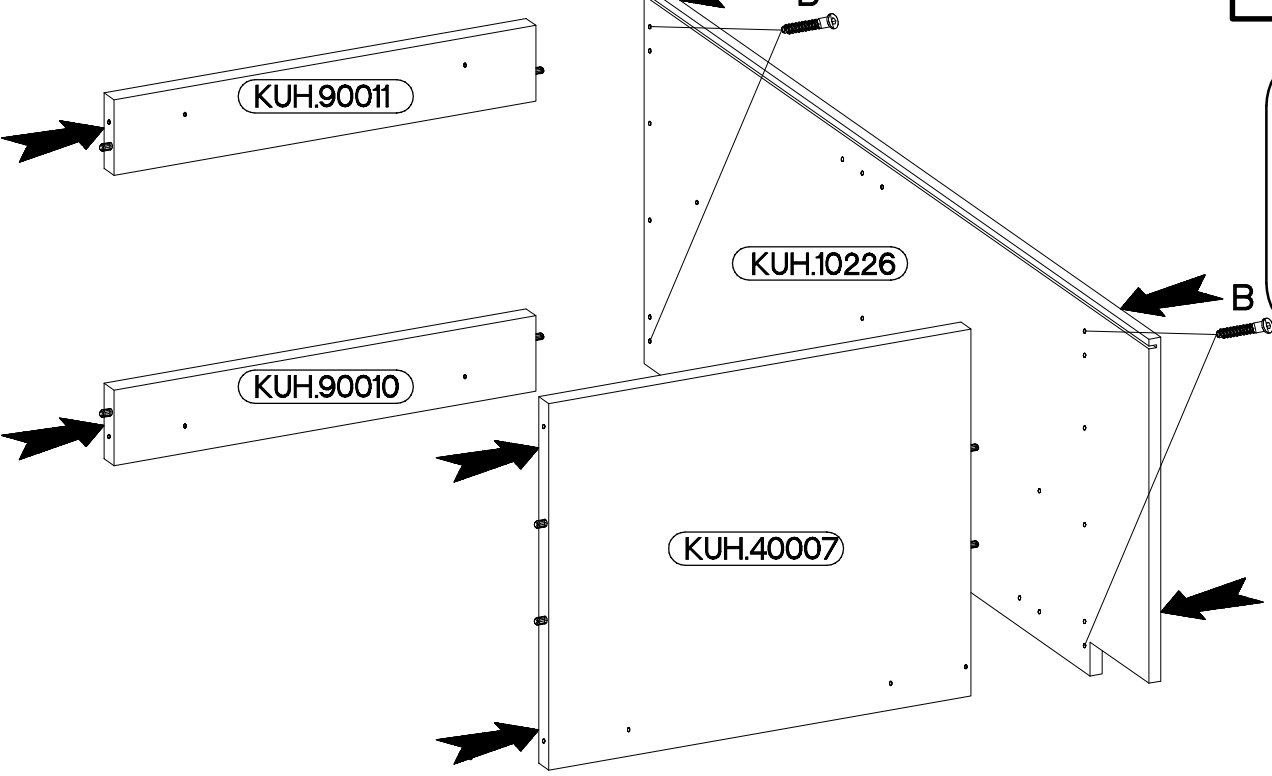
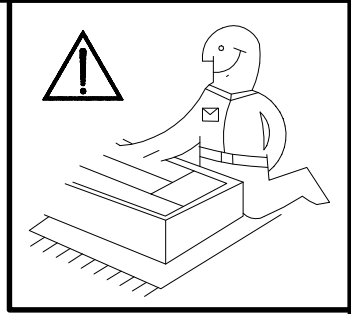
O

1



E1

4



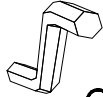
3

6,4 x 50mm



B

4



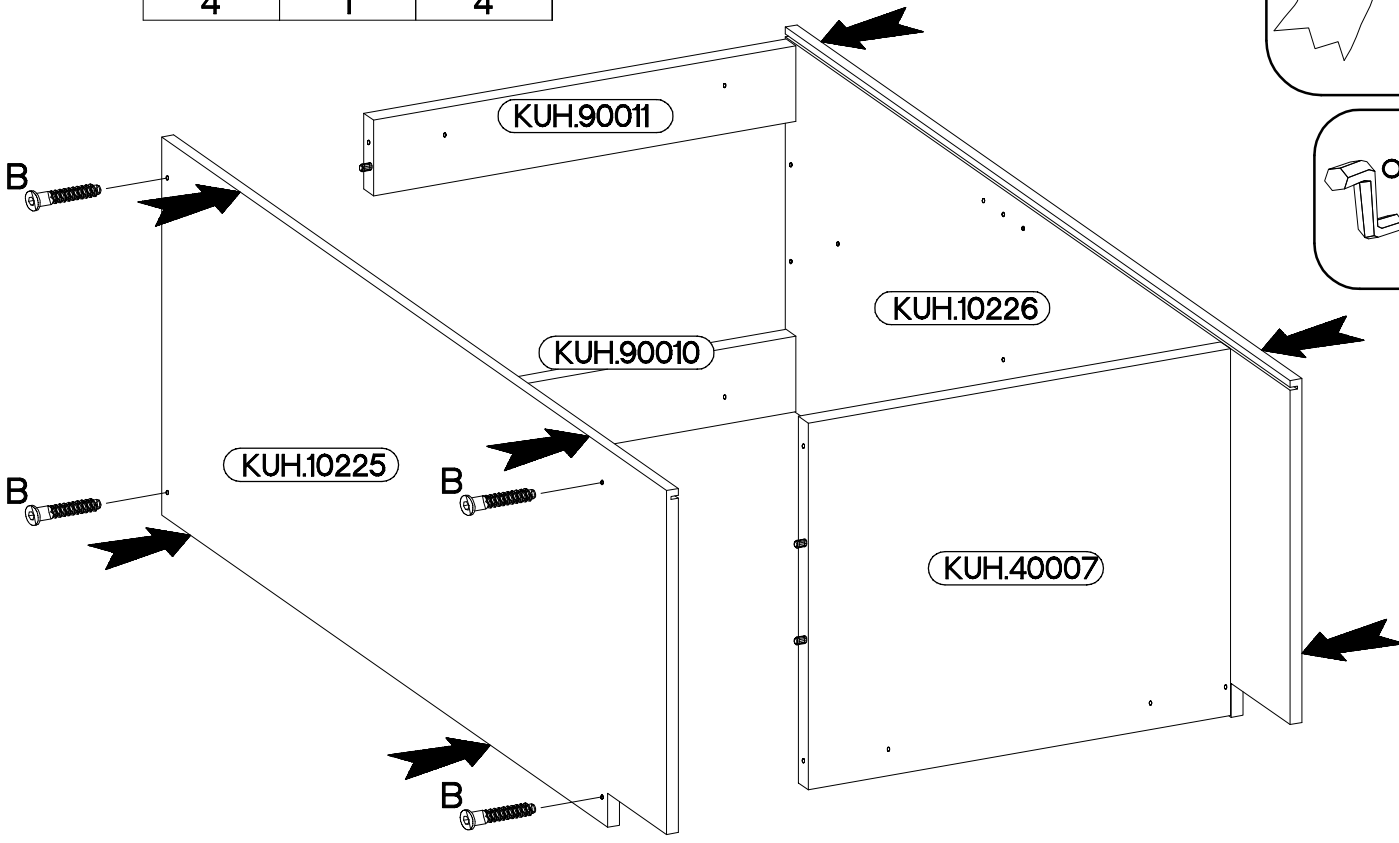
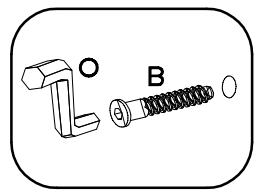
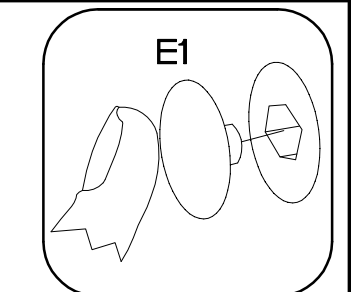
O

1

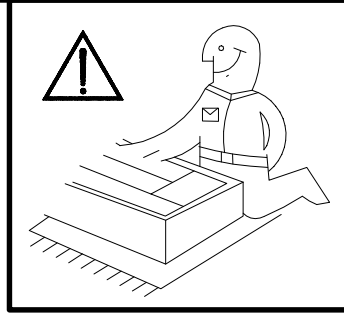
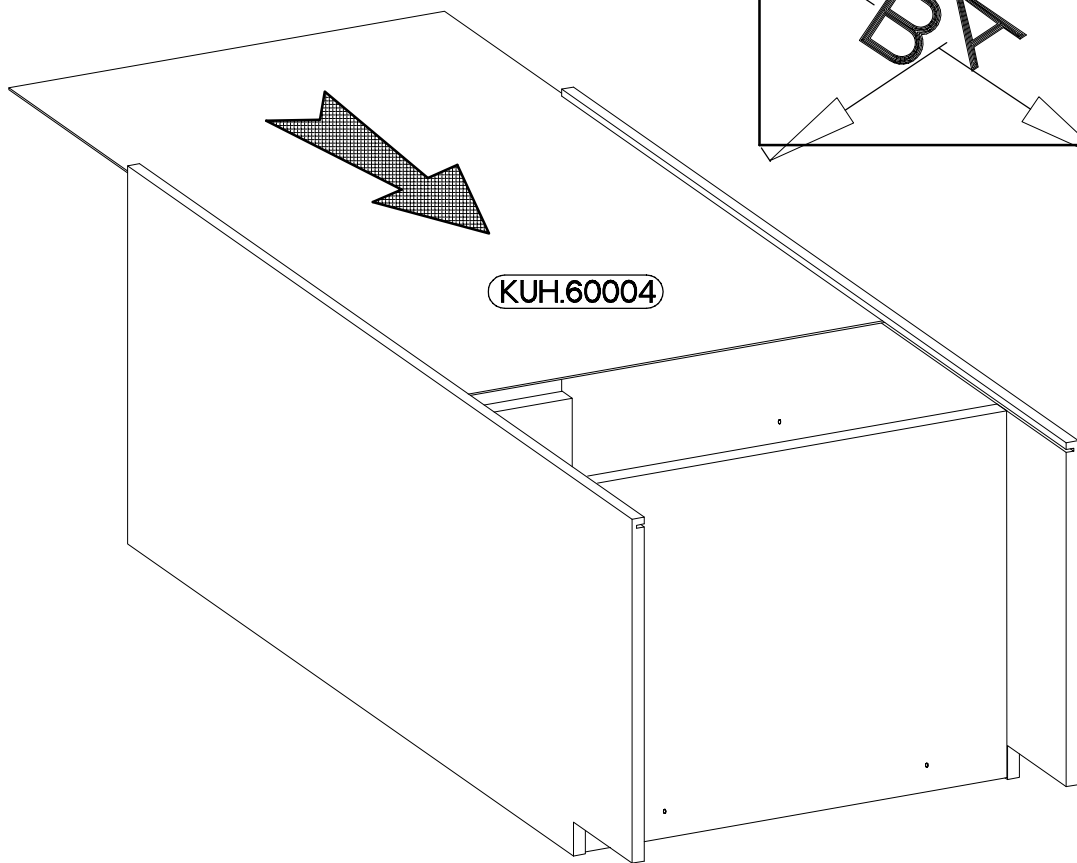


E1


4

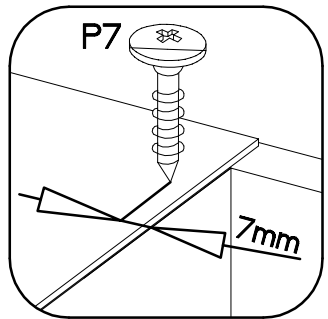
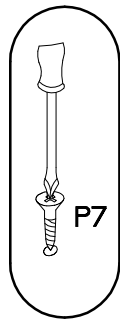
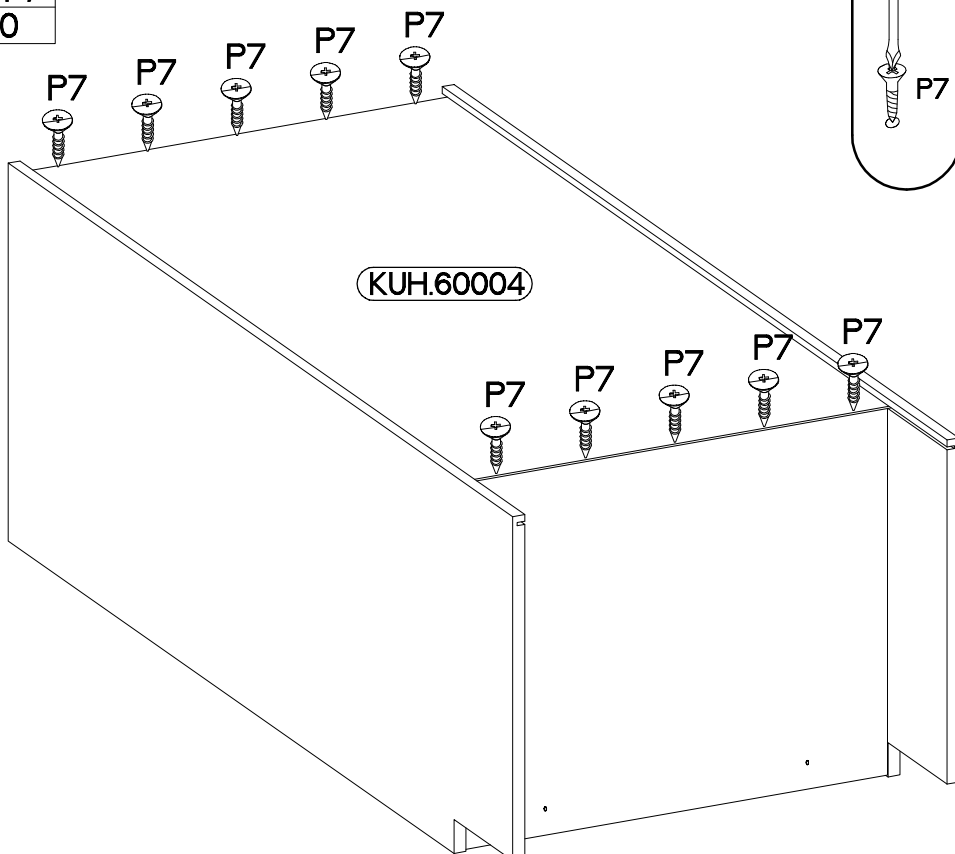


4



5

$\varnothing 3.0 \times 20 \text{mm}$

 P7
 8-10



6

4.0x45mm



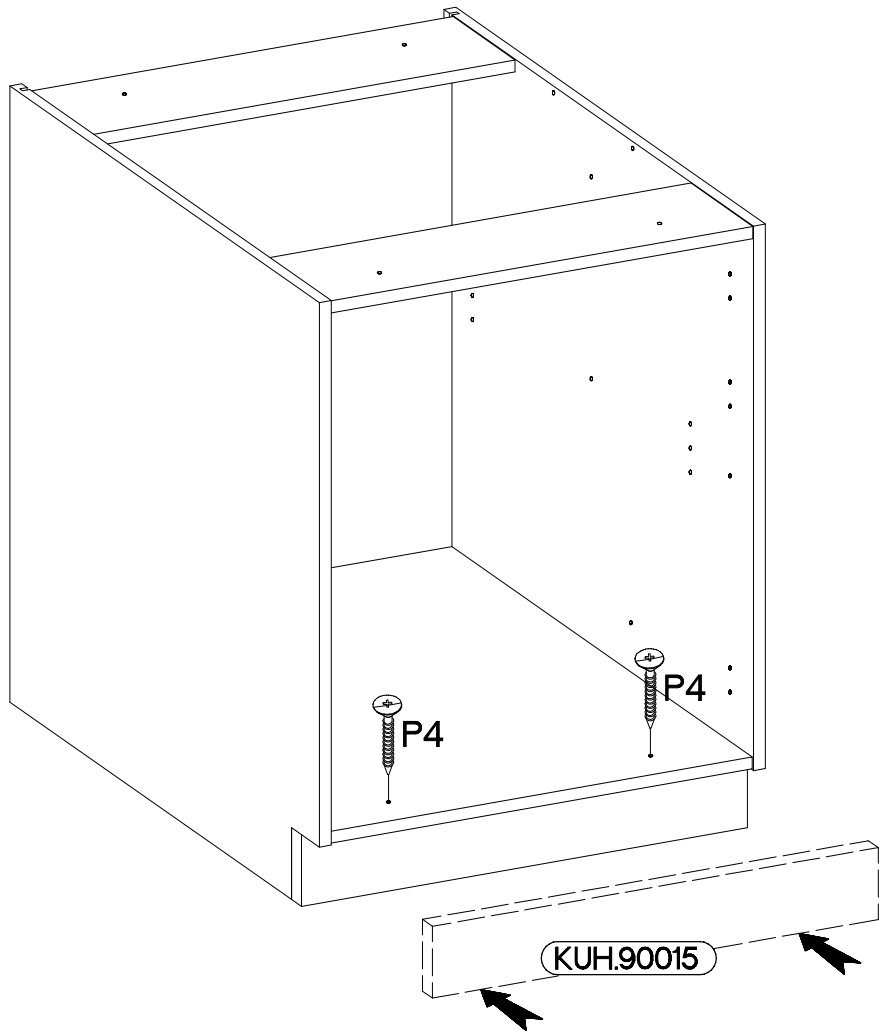
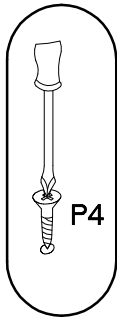
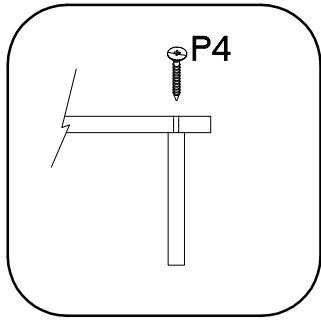
P4

2



E9

2



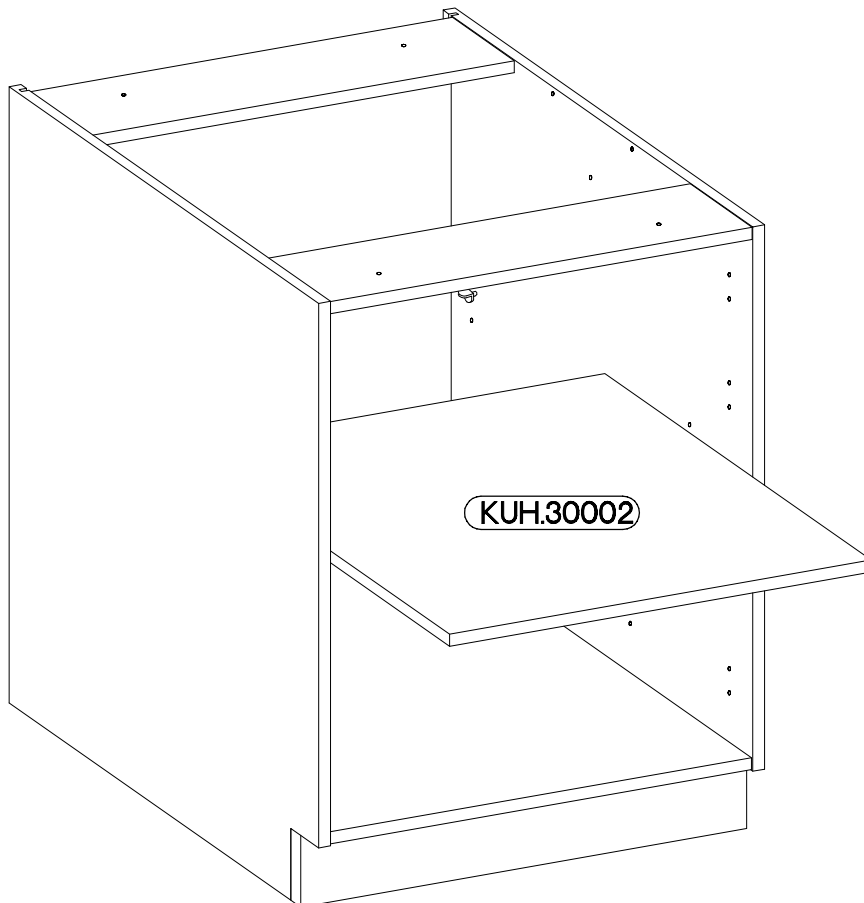
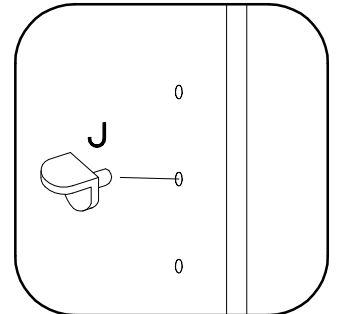
7

5/19mm



J

4



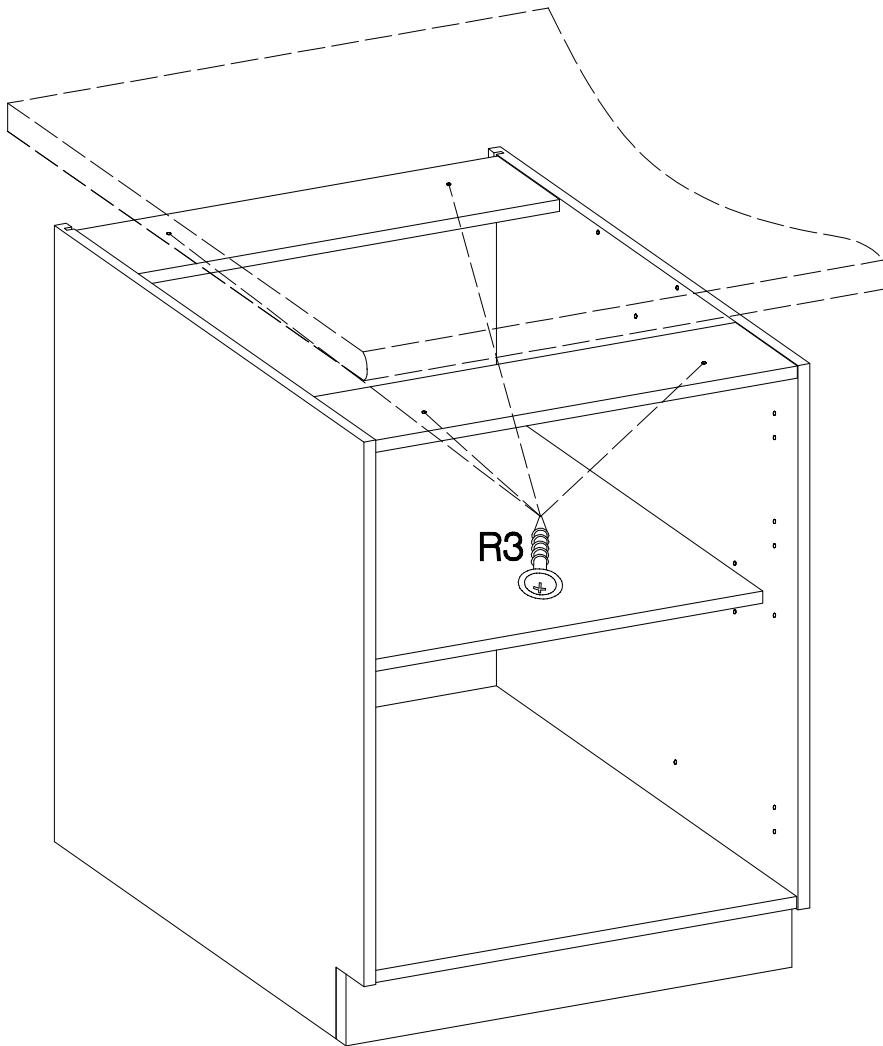
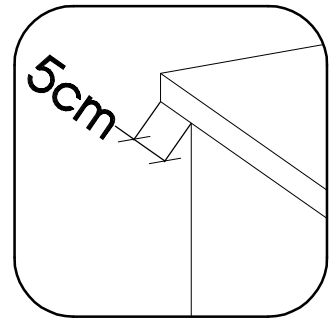
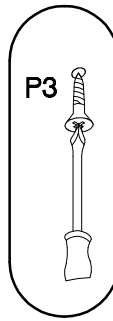
8

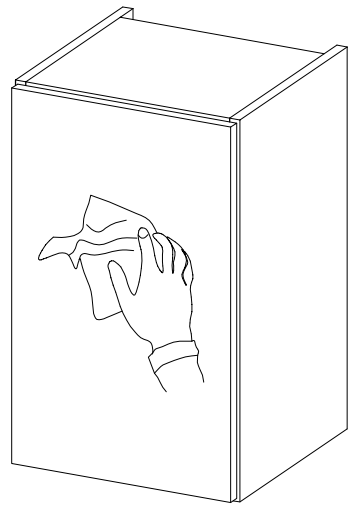
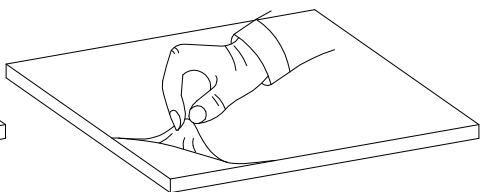
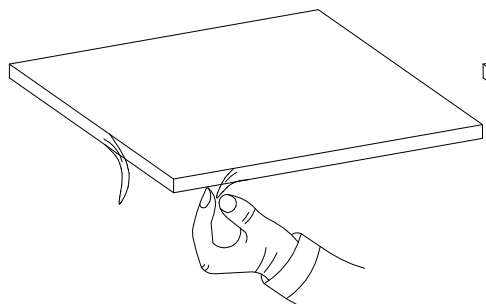
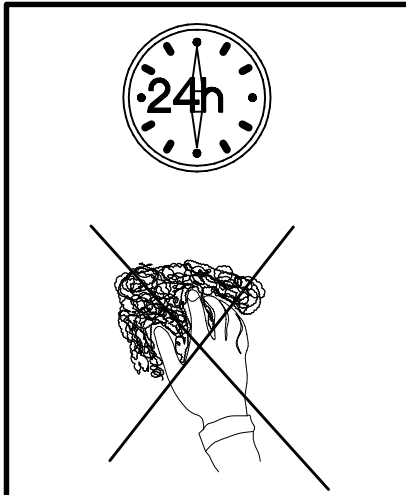
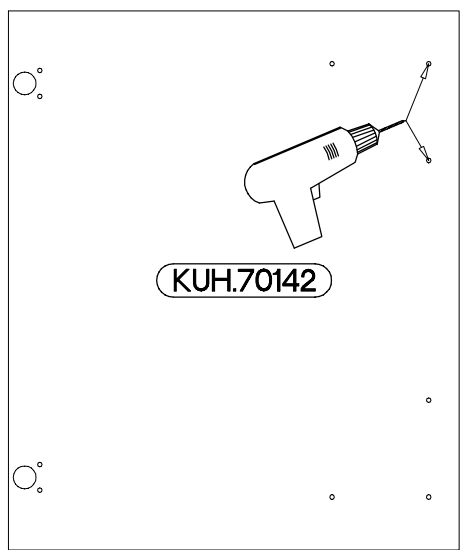
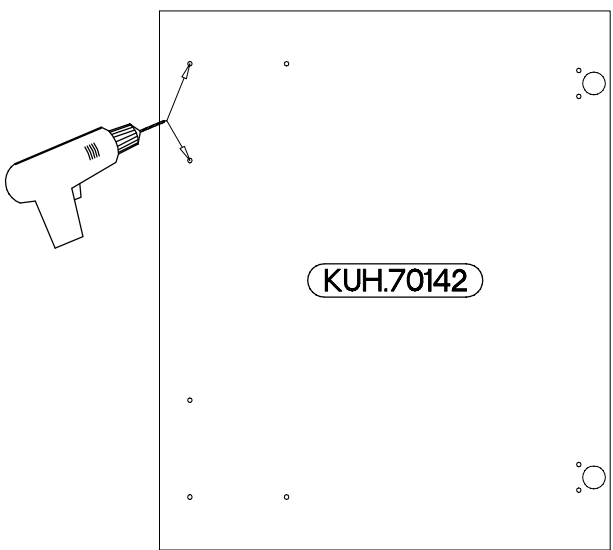
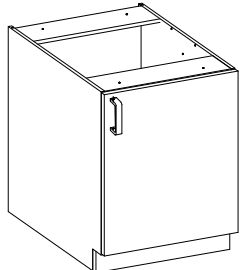
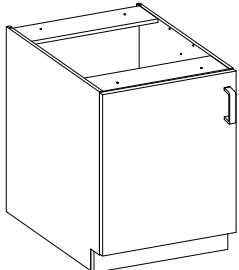
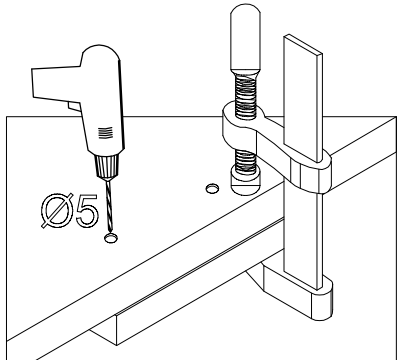
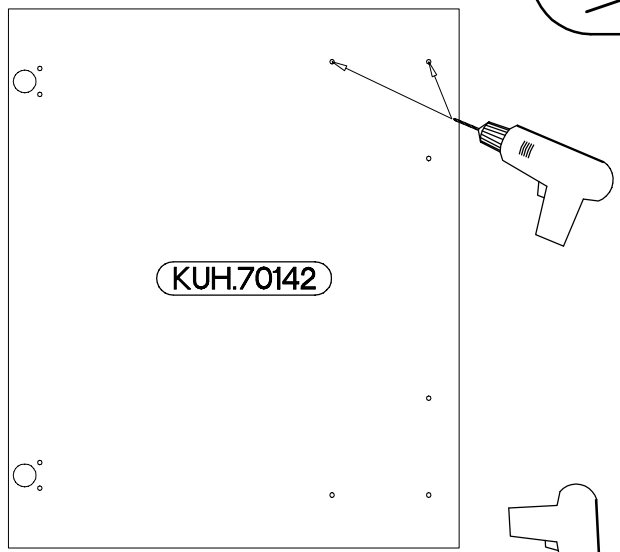
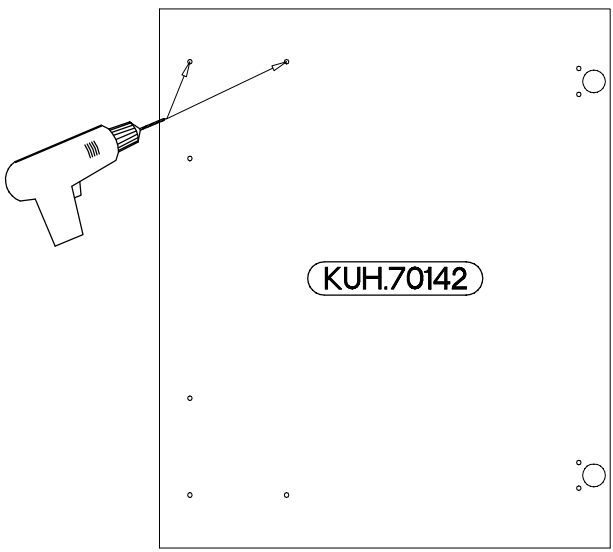
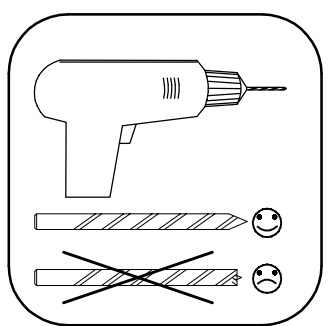
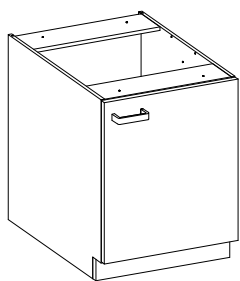
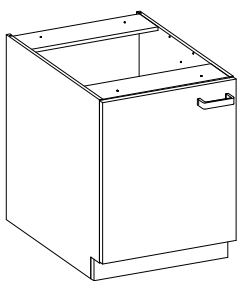
4.0x35mm


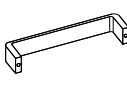


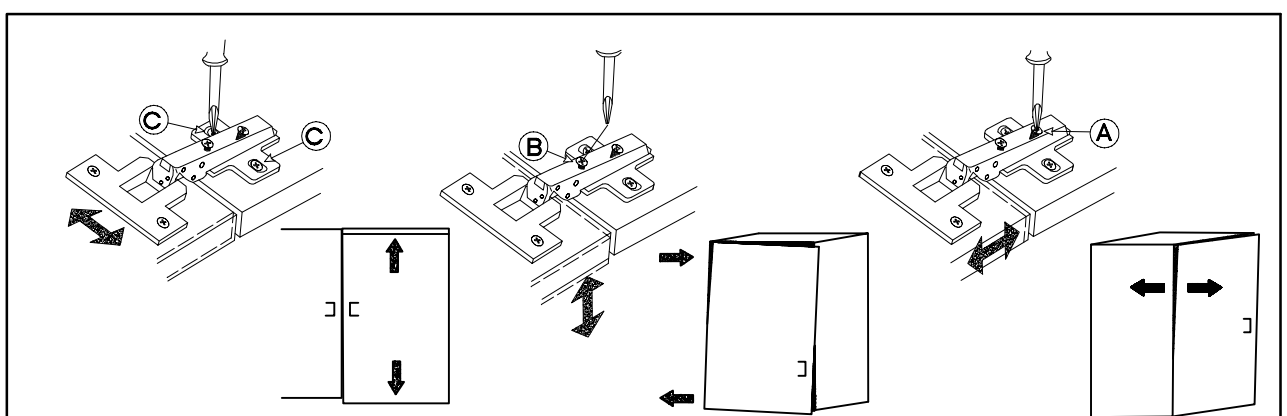
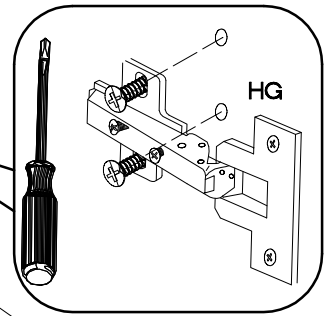
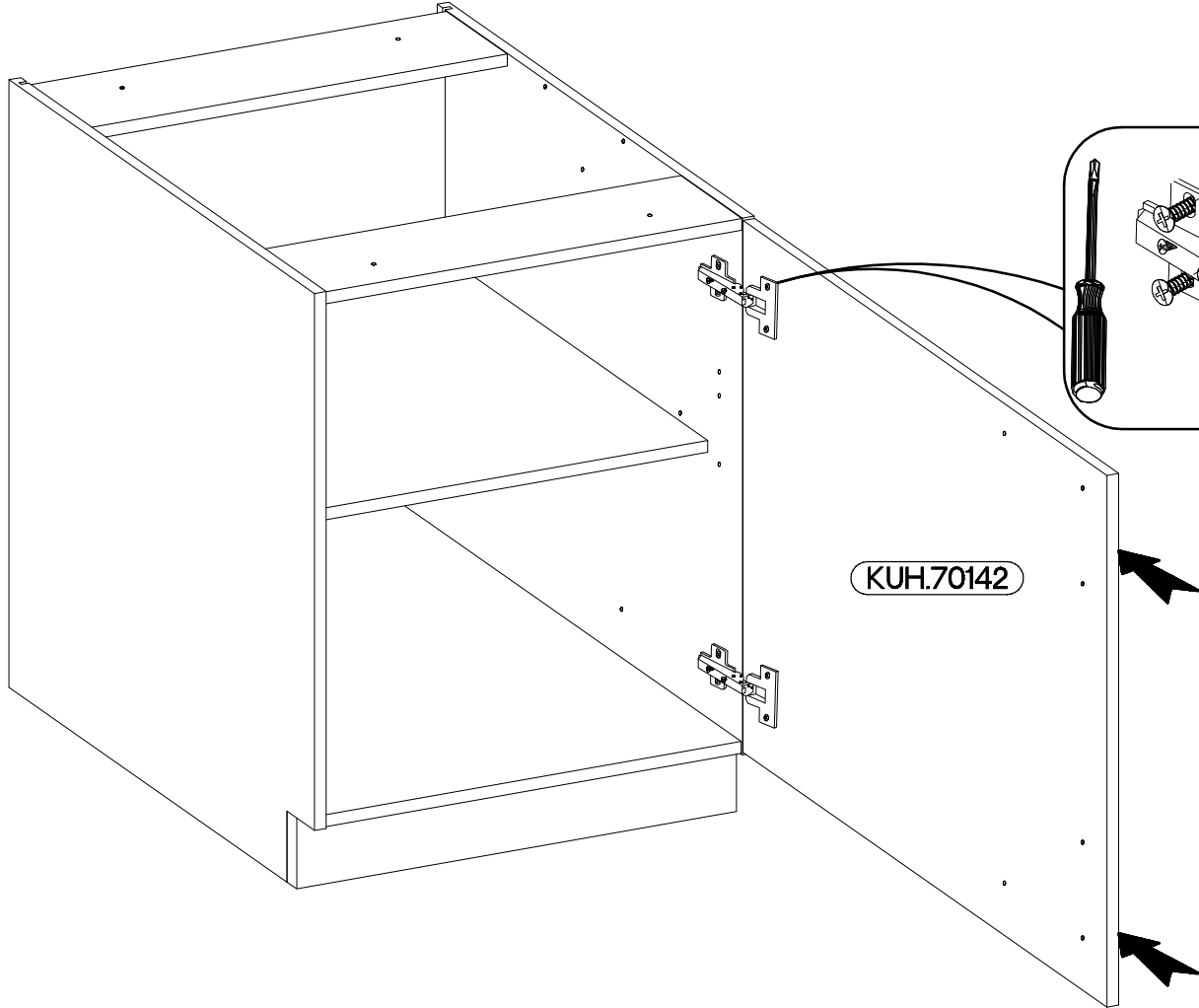
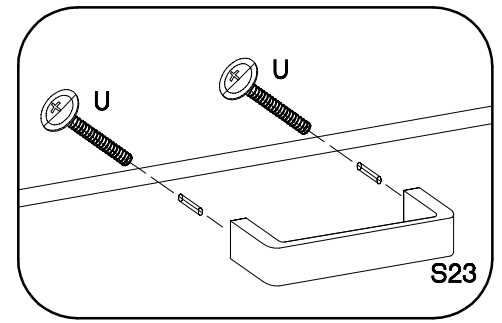
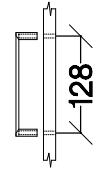
R3

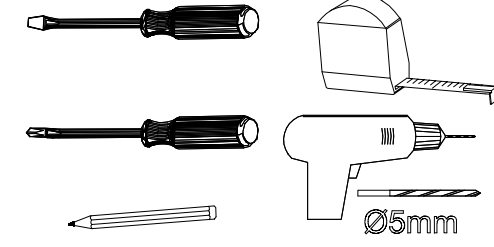
4



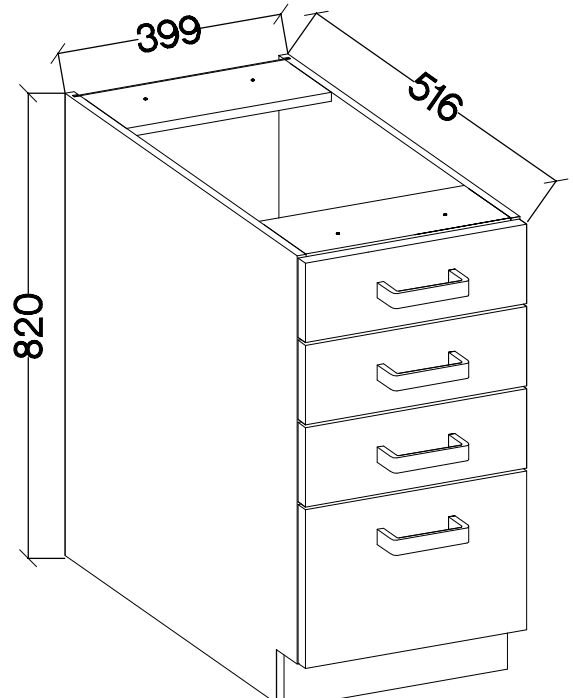
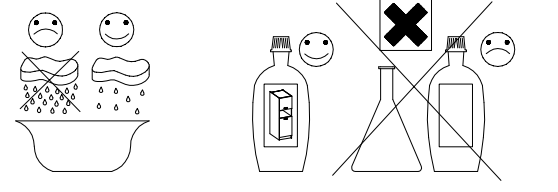


M4x22mm	
	
U	S23
2	1





40 D 4S BB

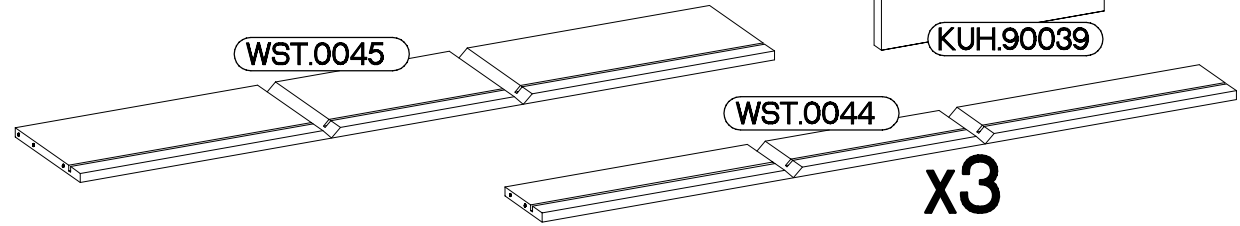
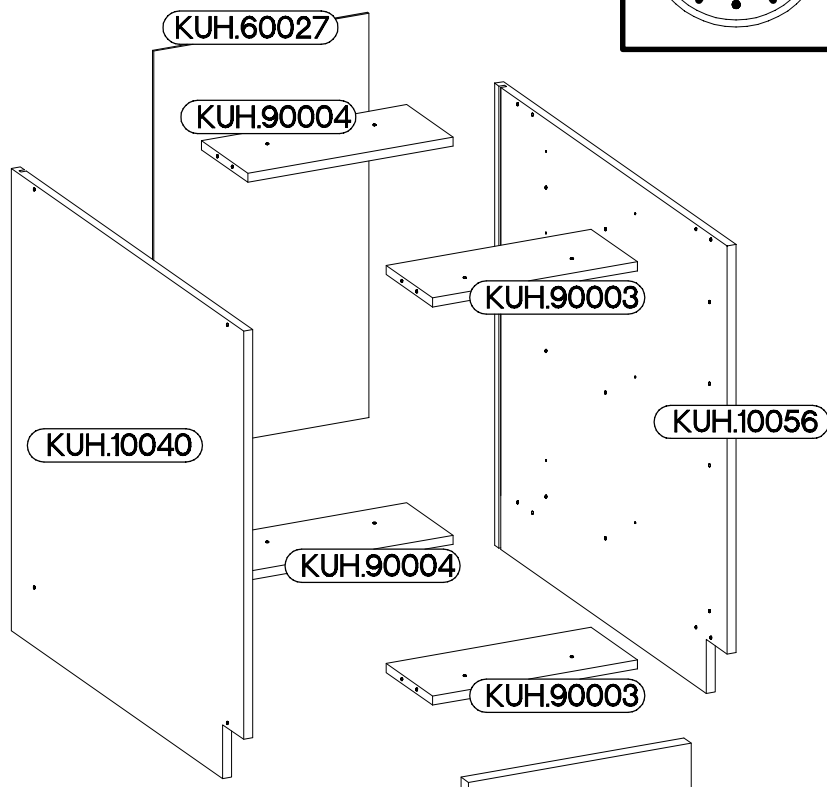
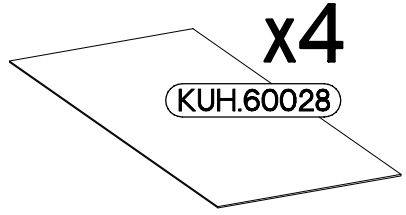


max. 5kg

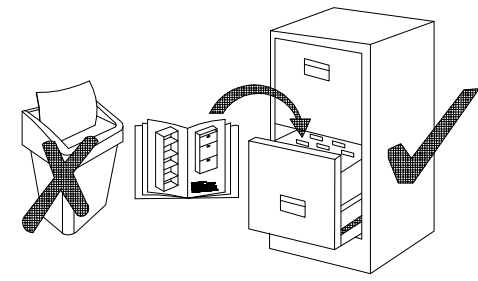
KUH.60028



- KUH.70149
- KUH.70149
- KUH.70149
- KUH.70150

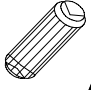



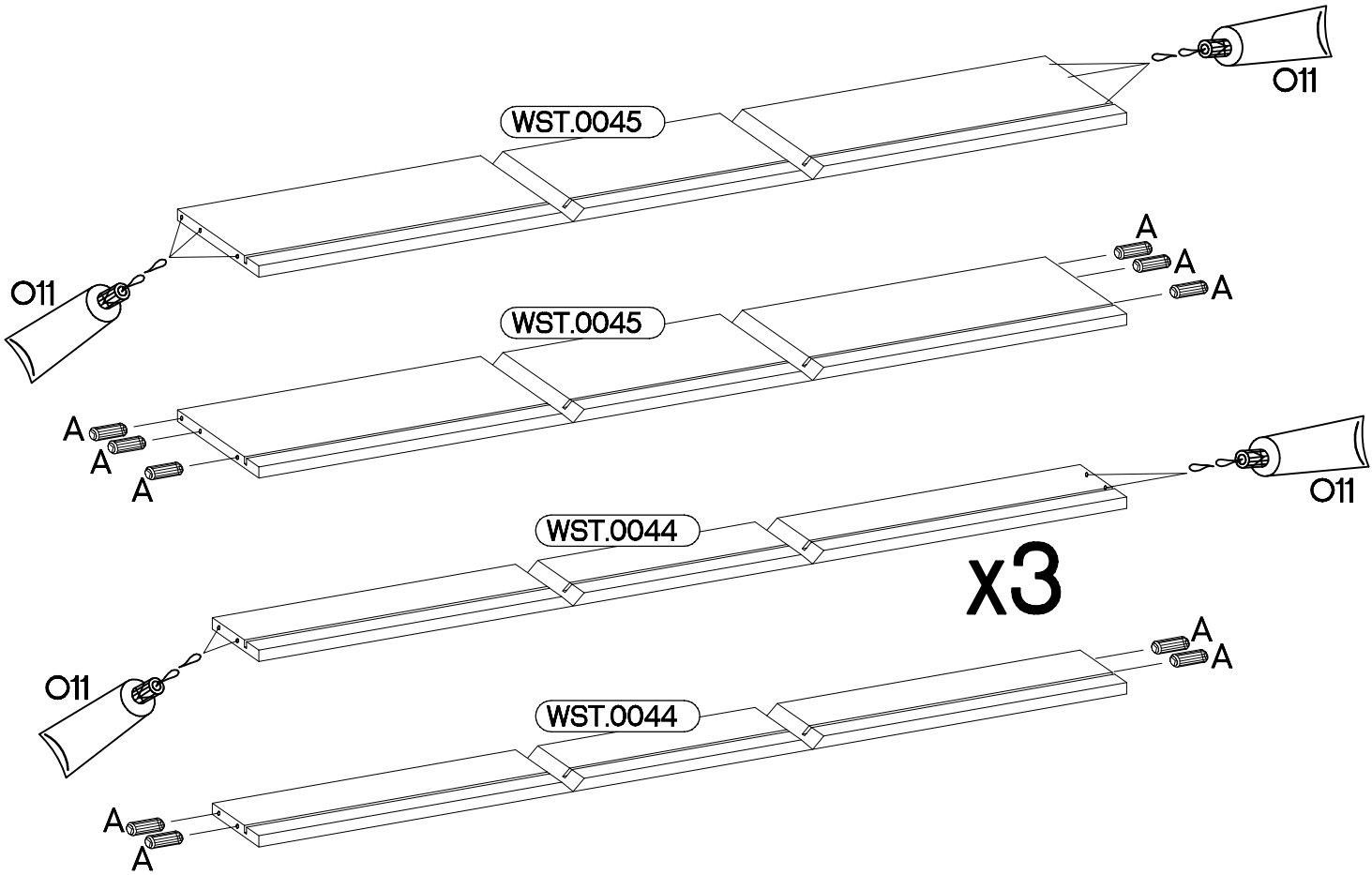
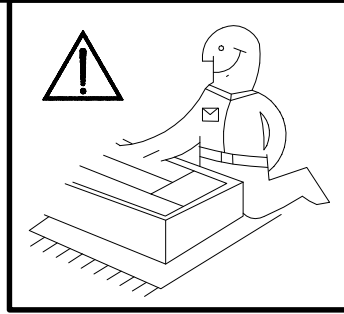
<p>†8x30mm A 26</p>	<p>6,4 x 50mm B 8</p>	<p>E1 8</p>	<p>E9 2</p>	<p>6.5x48x16 F2 4</p>	<p>L=450mm I5 4</p>
<p>†5.0x13mm M 24</p>	<p>O 1</p>	<p>O11 1</p>	<p>†4.0x45mm P4 2</p>	<p>†3.5x13mm P5 32</p>	<p>†3.5x20mm P6 12</p>
<p>†3.0x20mm P7 8-10</p>	<p>†4.0x35mm R3 4</p>	<p>S23 4</p>	<p>M4x22mm U 8</p>	<p>Z3 4</p>	<p>Z4 4</p>




ISM-KUH-00918

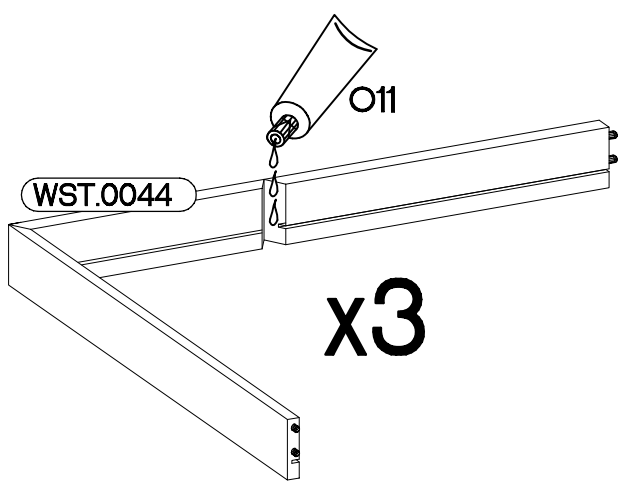
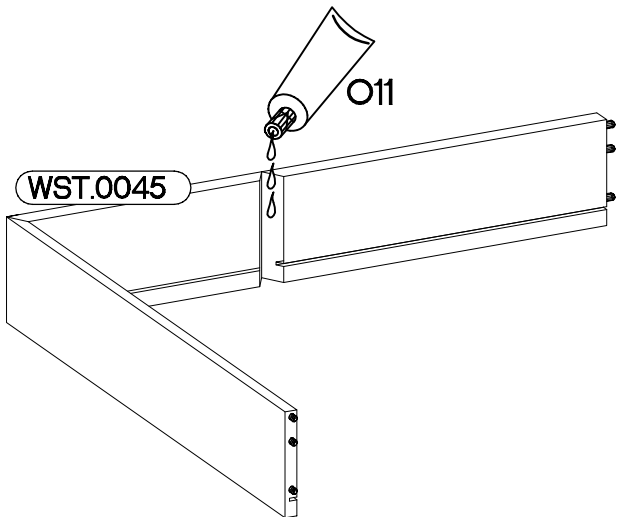
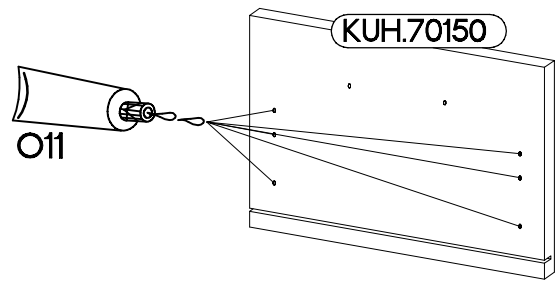
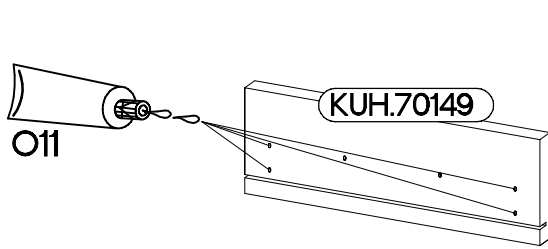
1

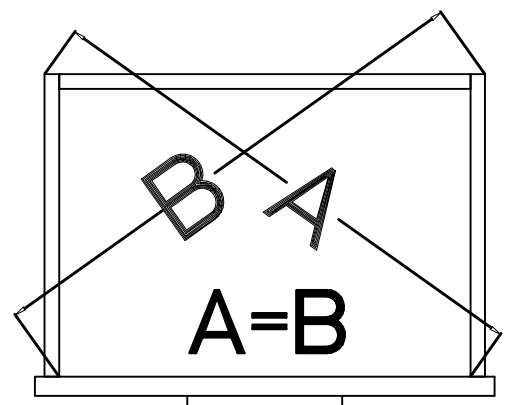
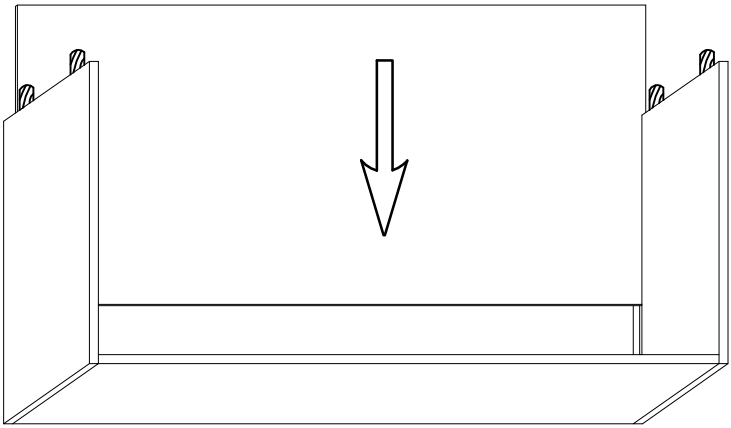
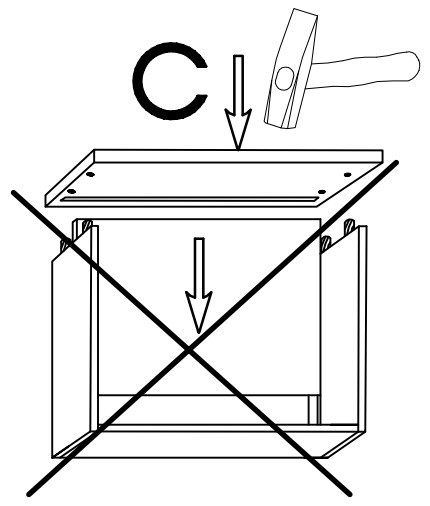
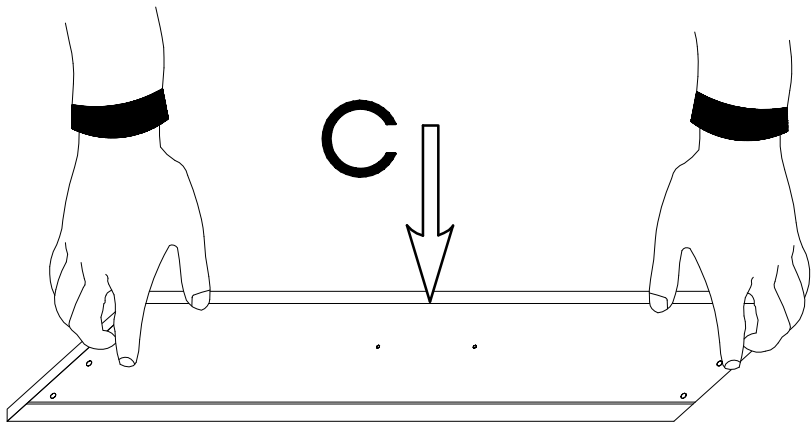
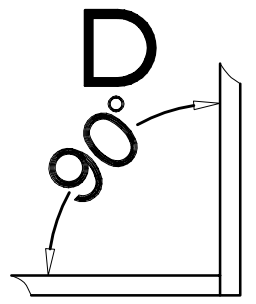
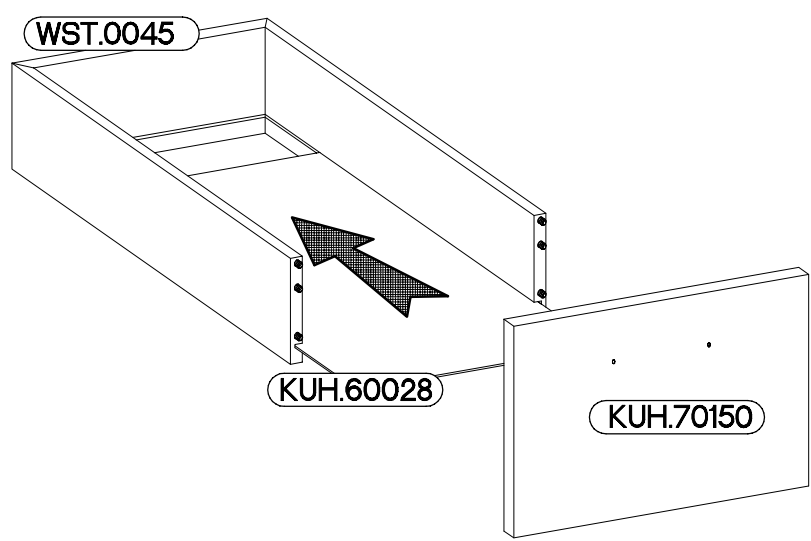
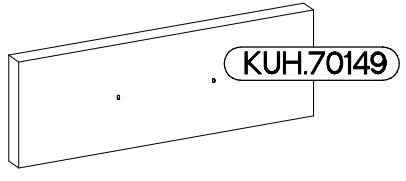
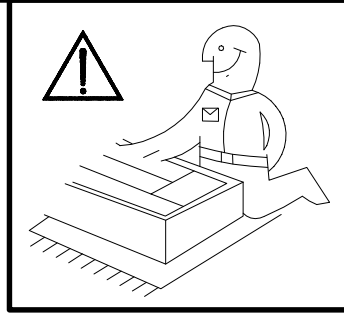
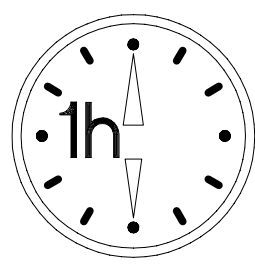
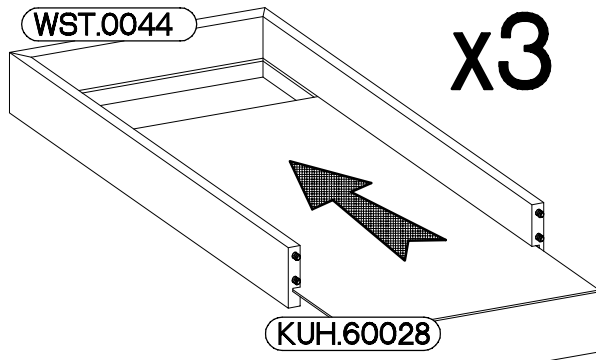
†8x30mm  A 18	0,05  O11 1
--	--



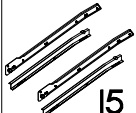


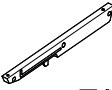

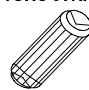
2

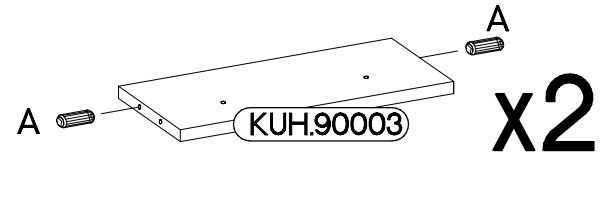
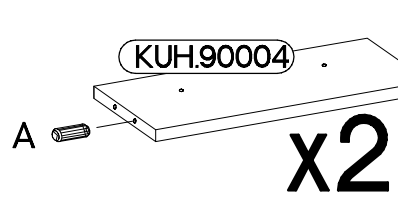
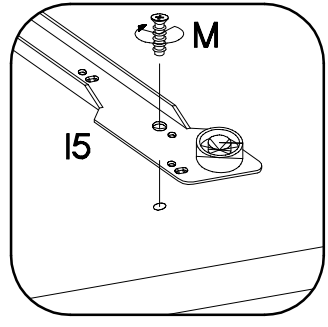
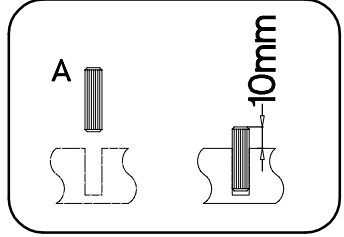
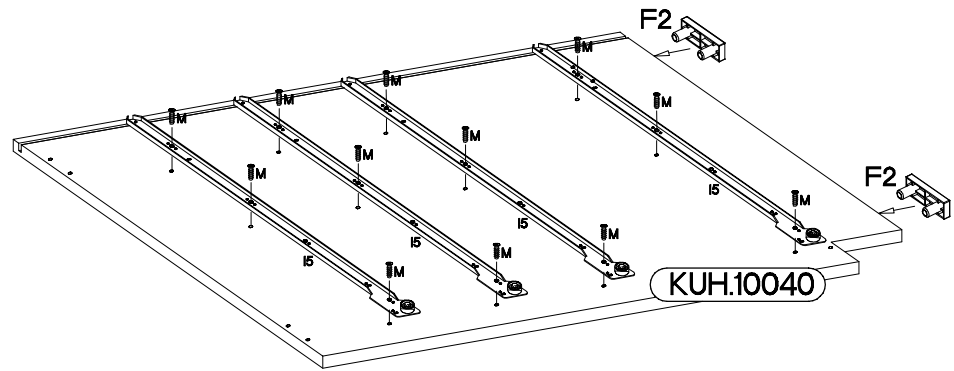
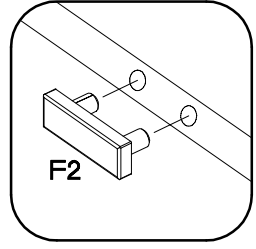
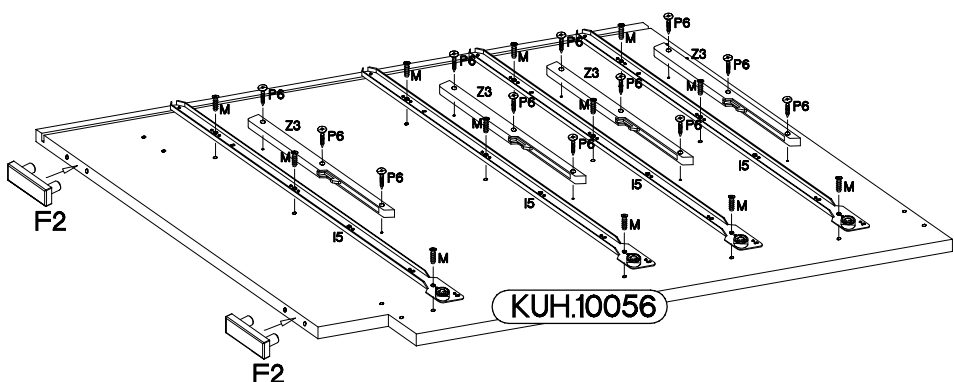
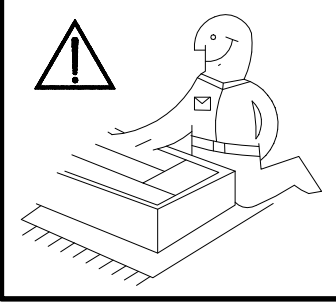
0,05  O11 1




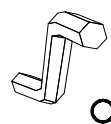



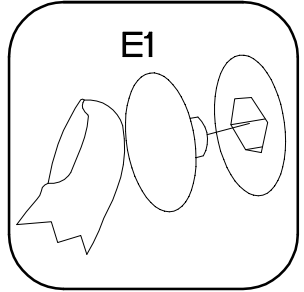
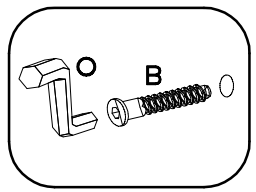
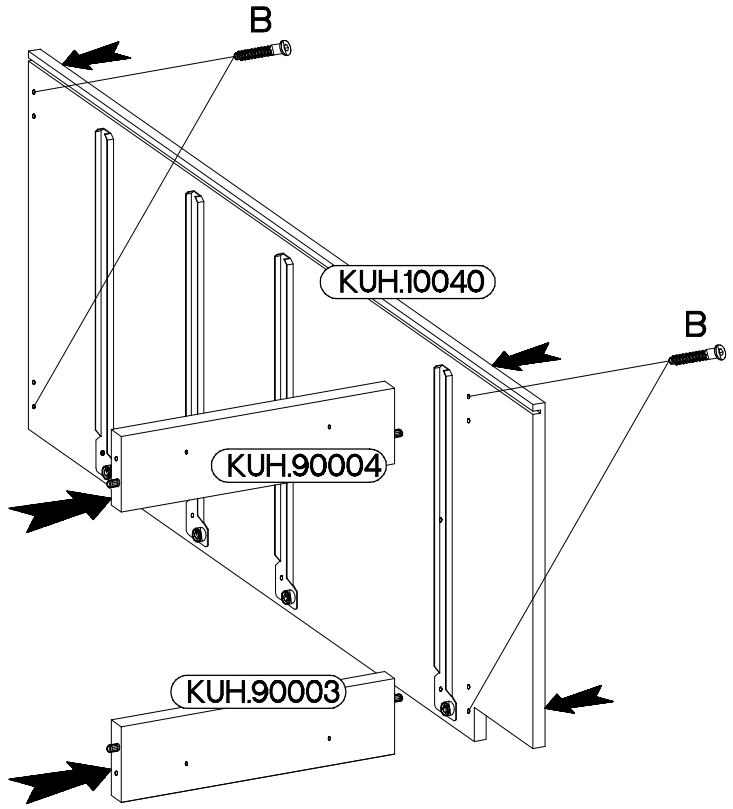
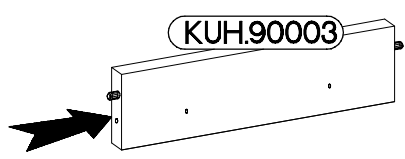
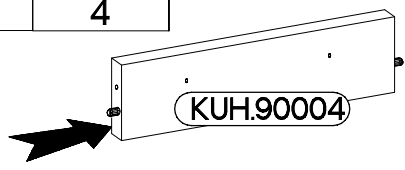
4

L=450mm  I5 4	±5.0x13mm  M 24	6.5x48x16  F2 4	 Z3 4	±3.5x20mm  P6 12	±8x30mm  A 8
--	--	--	---	---	---



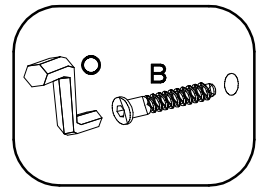
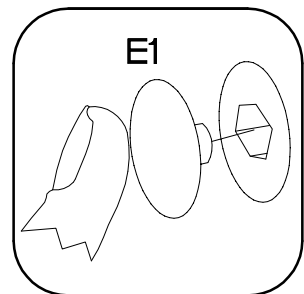
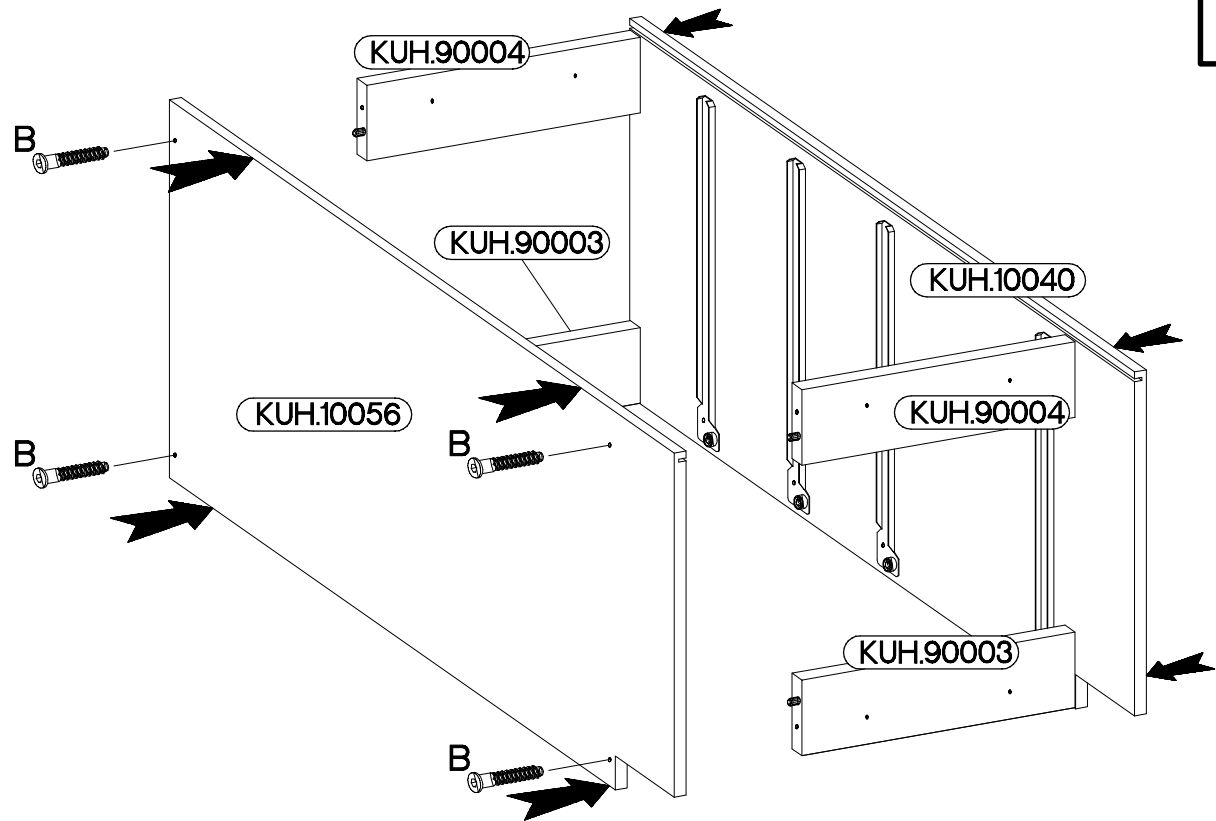
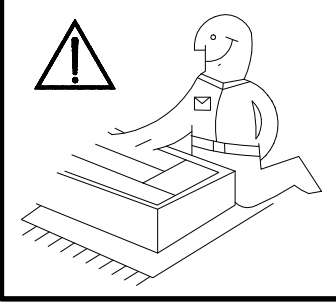
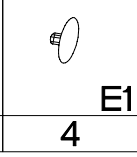
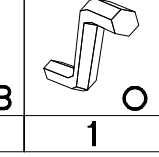
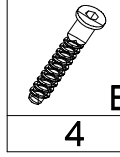
5

6,4 x 50mm  B 4	 O 1	 E1 4
---	---	--

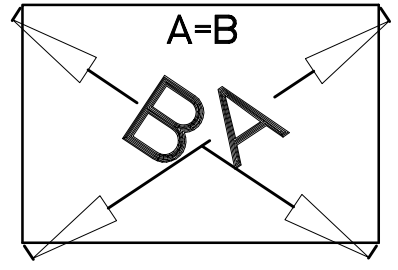
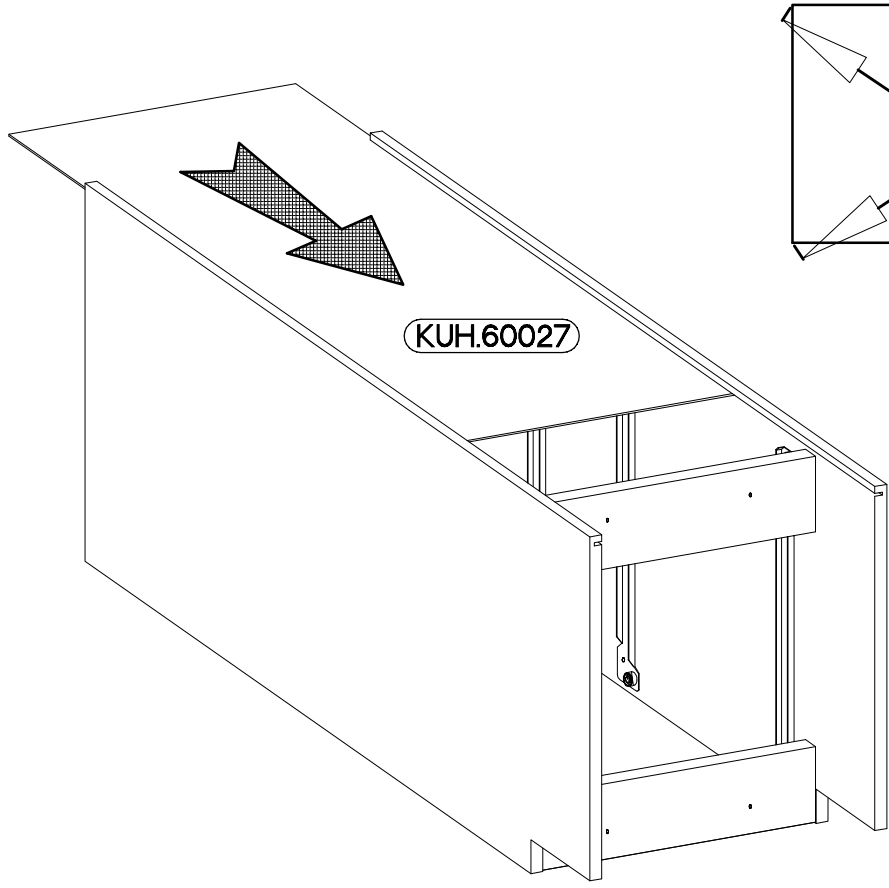


6


6,4 x 50mm

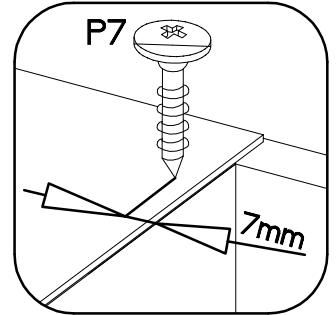
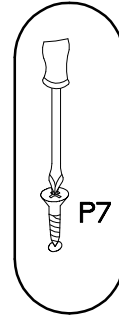
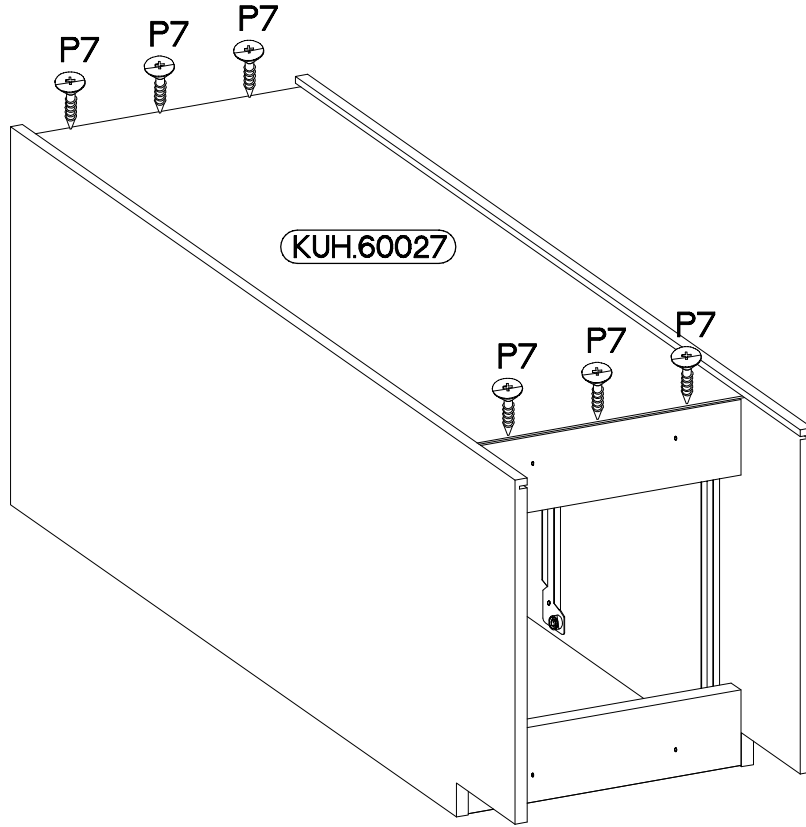
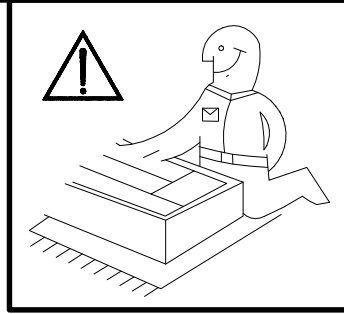


7

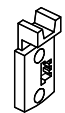



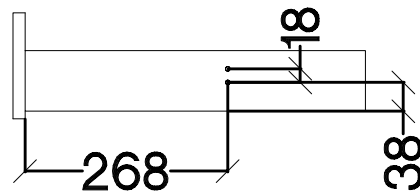
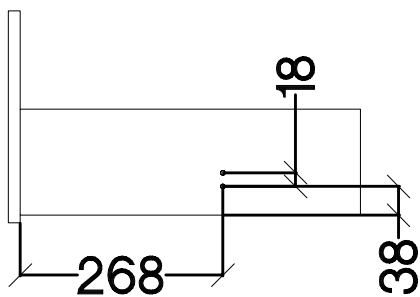
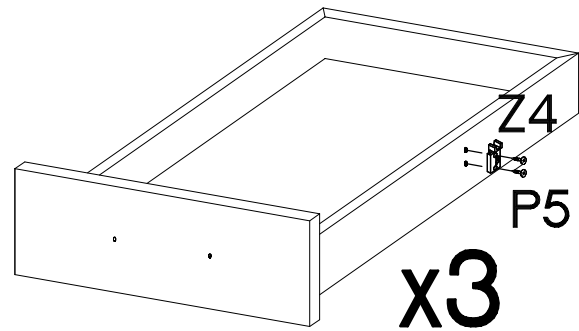
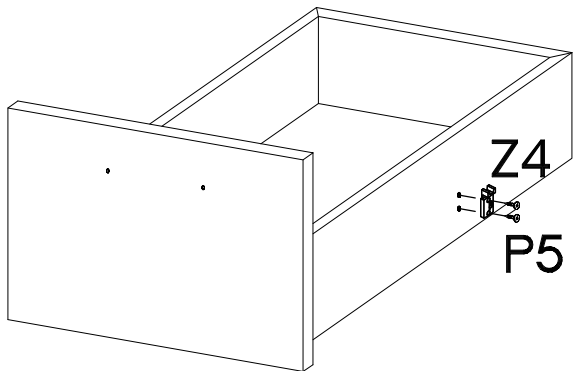
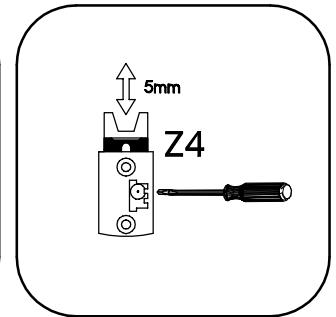
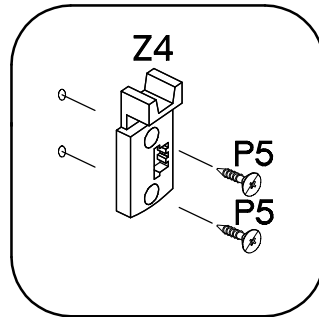
8

±3.0x20mm

P7
8-10





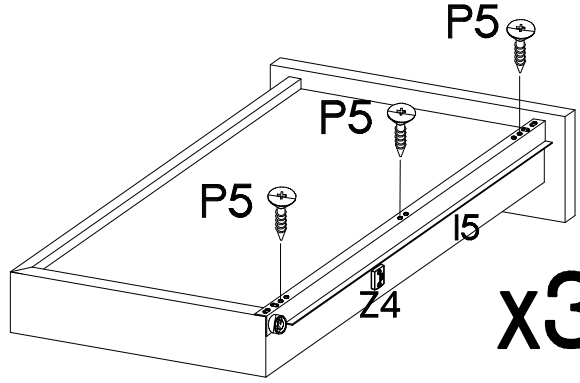
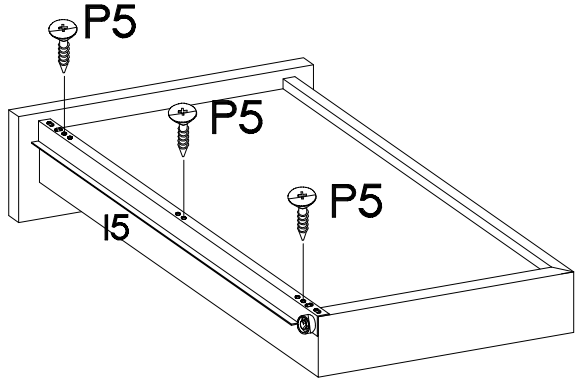
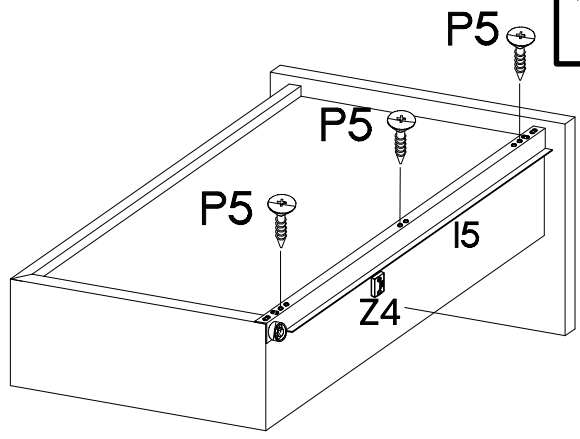
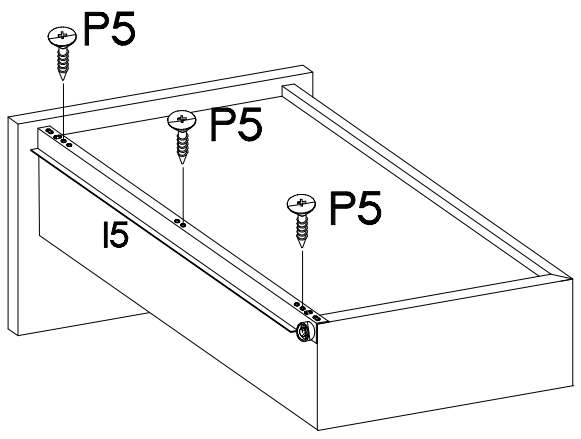
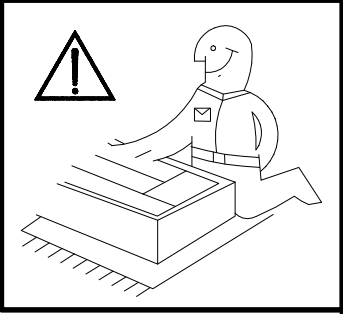
9

±3.5x13mm	
	Z4
8	4




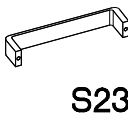
10

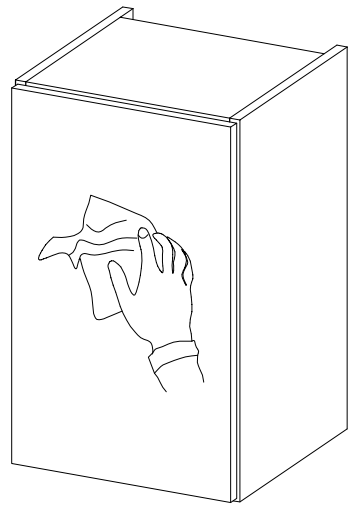
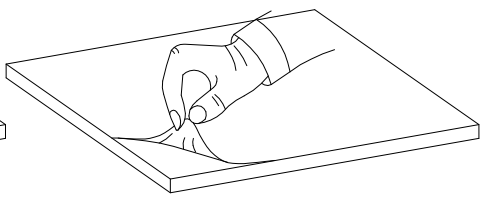
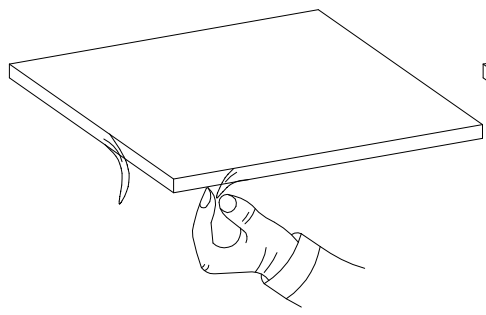
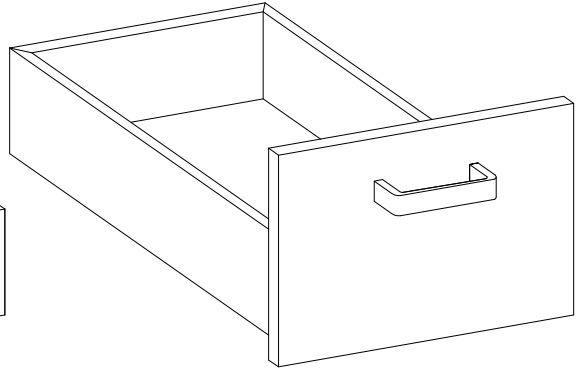
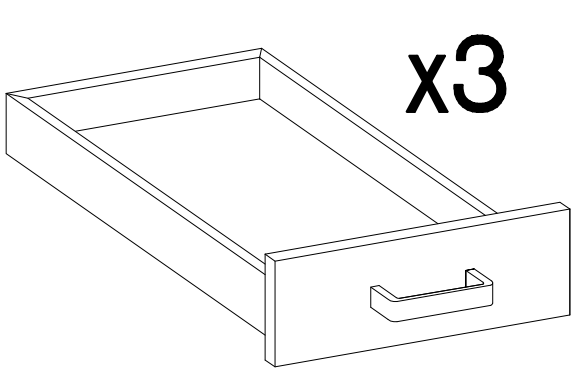
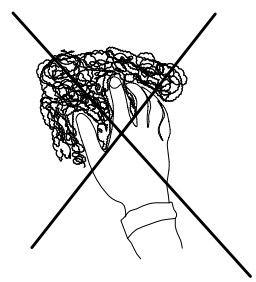
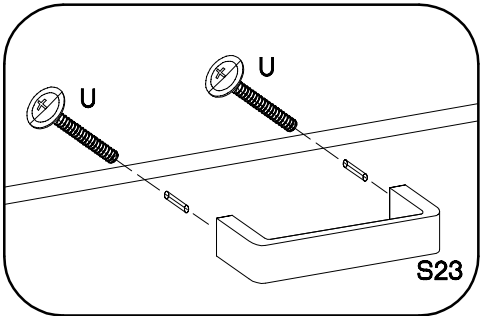
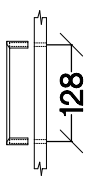
L=450mm  I5 4	+3.5x13mm  P5 24
--	---





x3

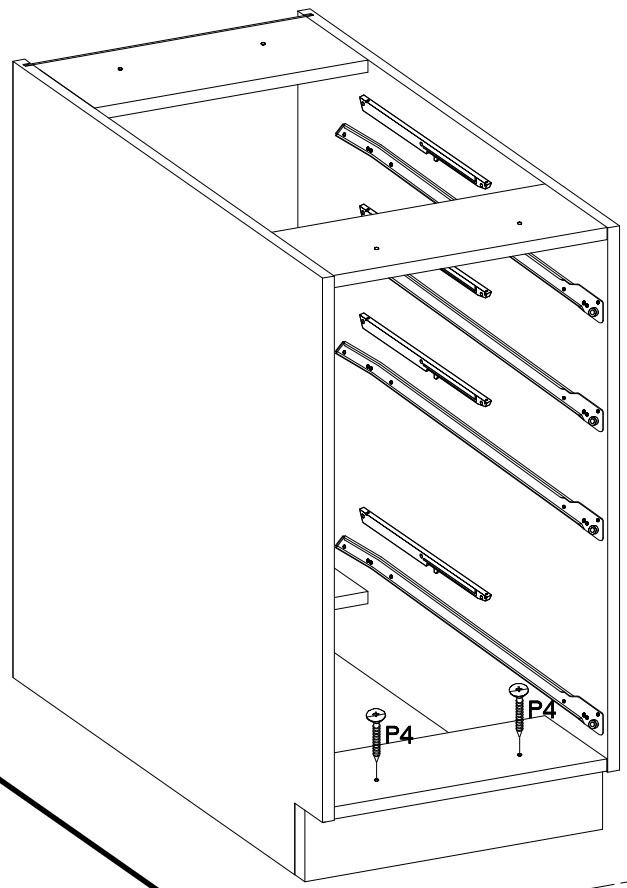
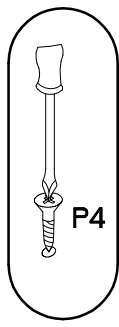
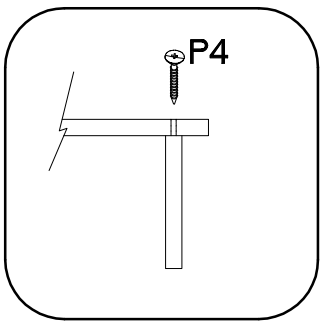
11

M4x22mm  U 8	 S23 4
--	---

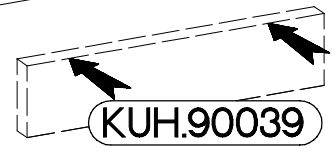
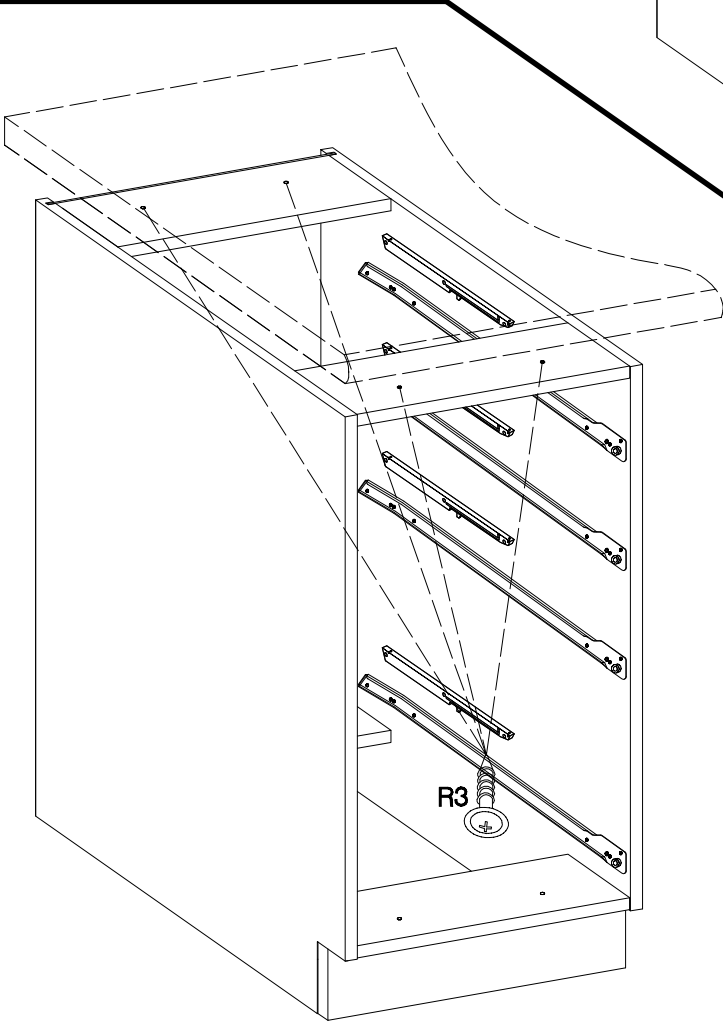



12

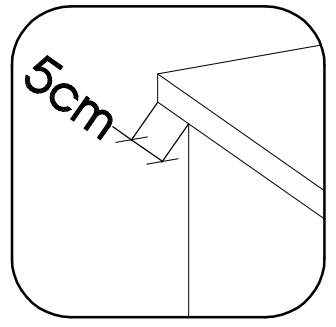
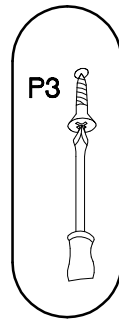
$\pm 4.0 \times 45 \text{mm}$  P4 2	 E9 2
---	--



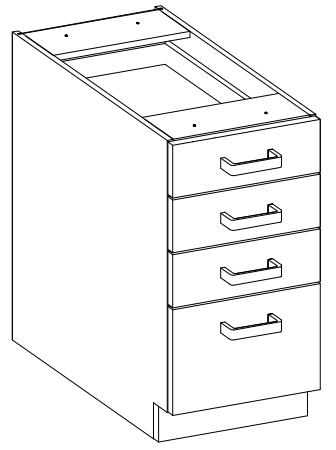
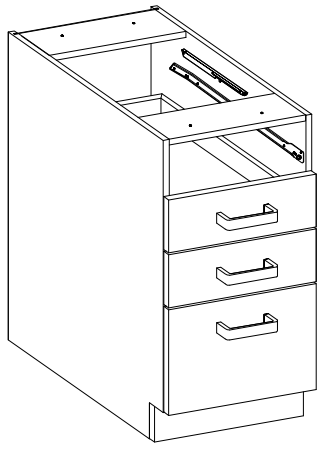
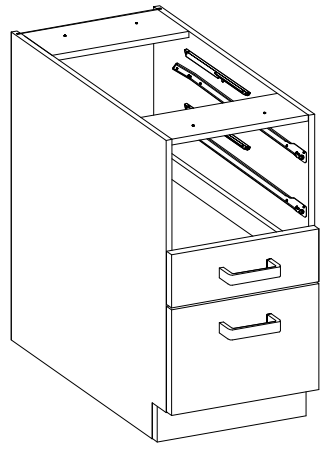
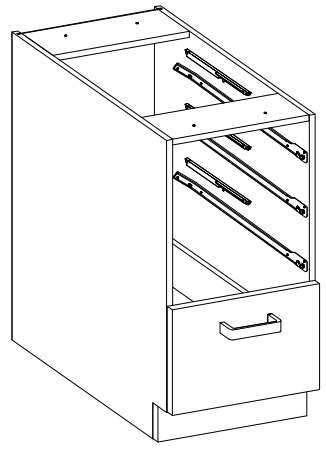
13

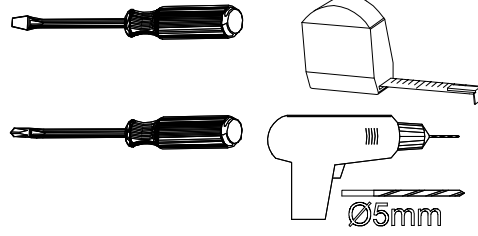


$\pm 4.0 \times 35 \text{mm}$  R3 4
--

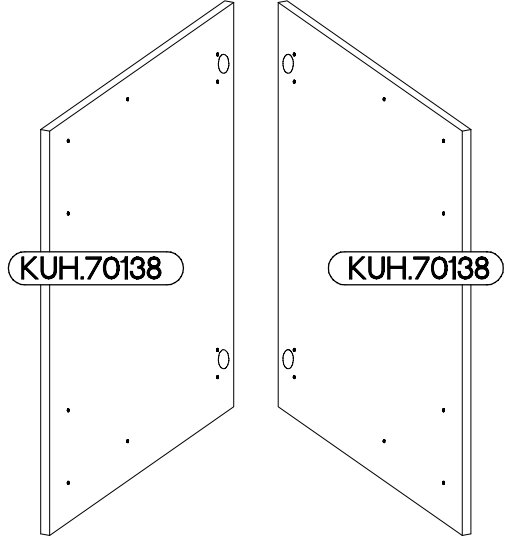
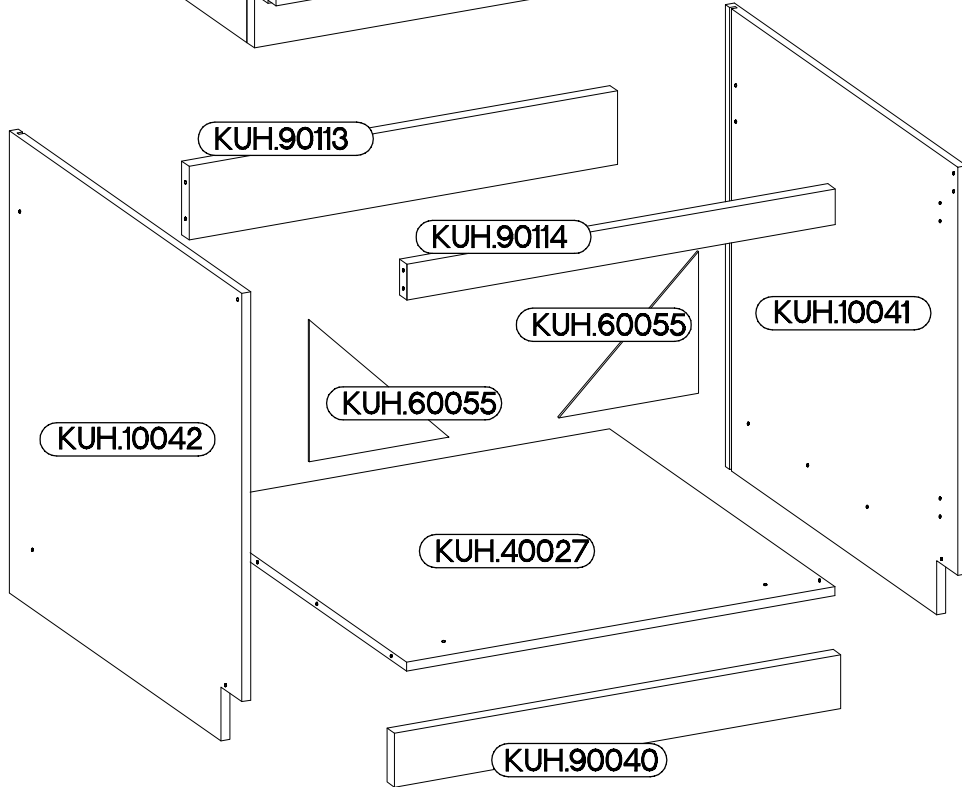
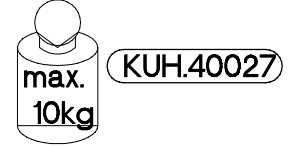
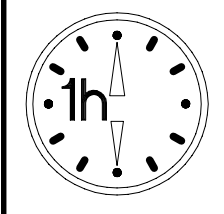
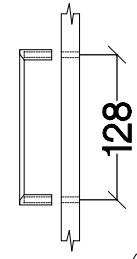
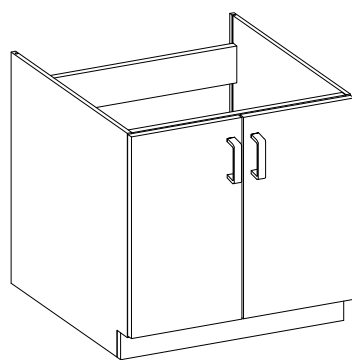
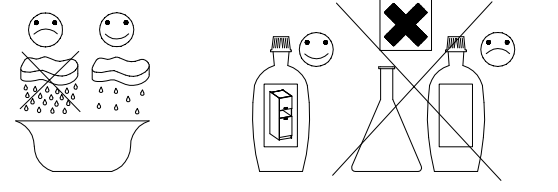
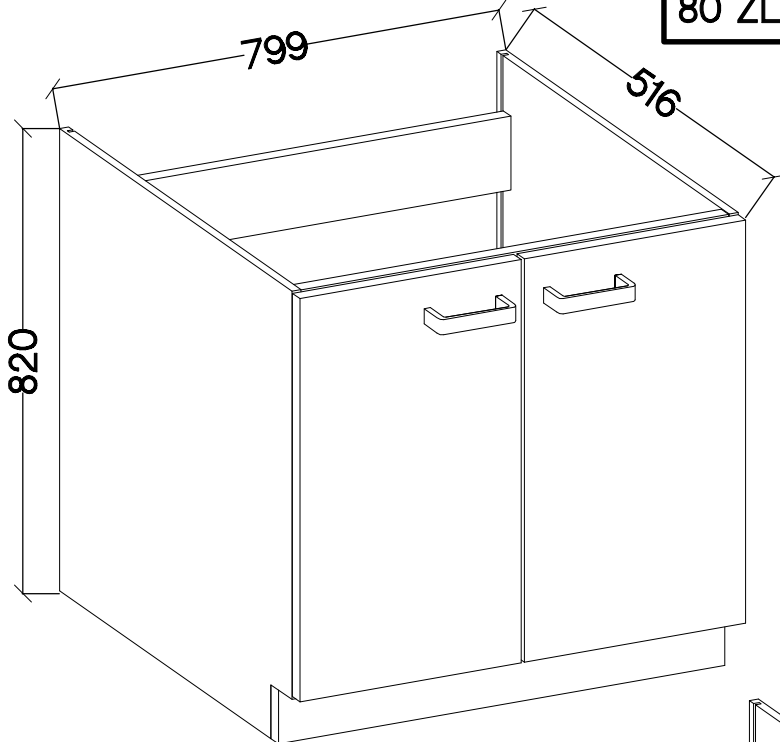


13

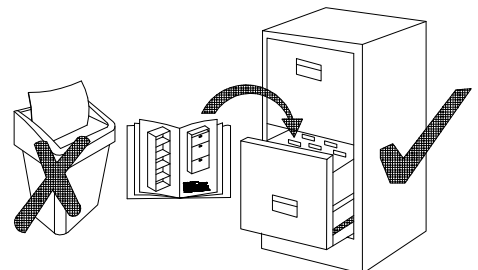




80 ZL 2F BB

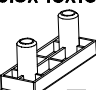
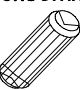
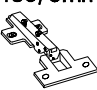



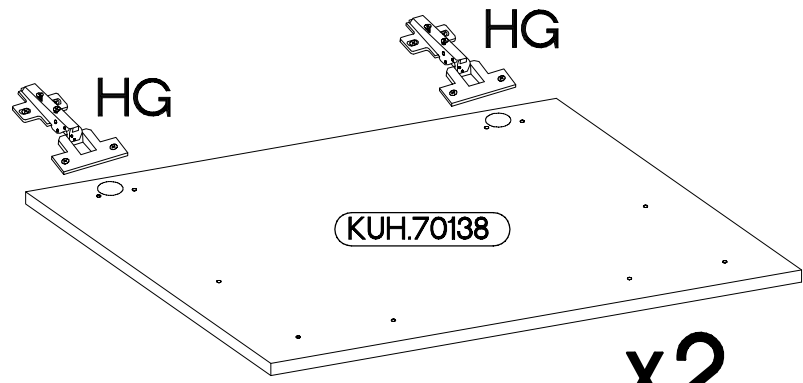
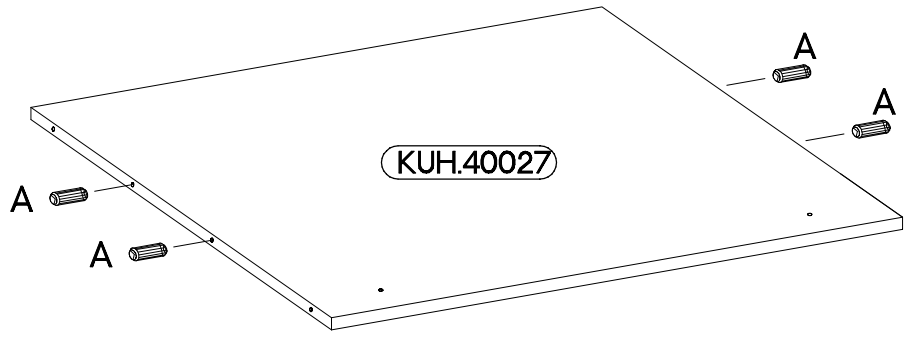
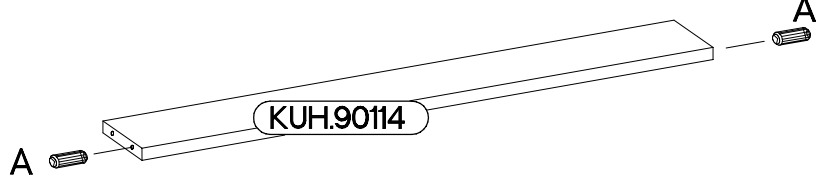
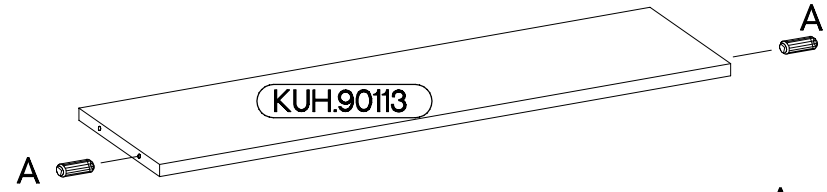
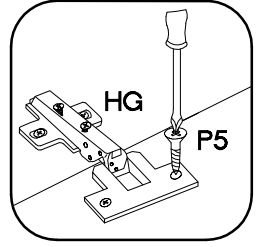
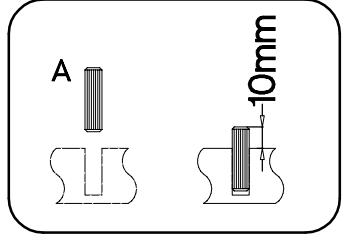
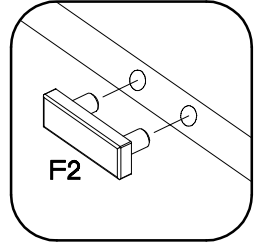
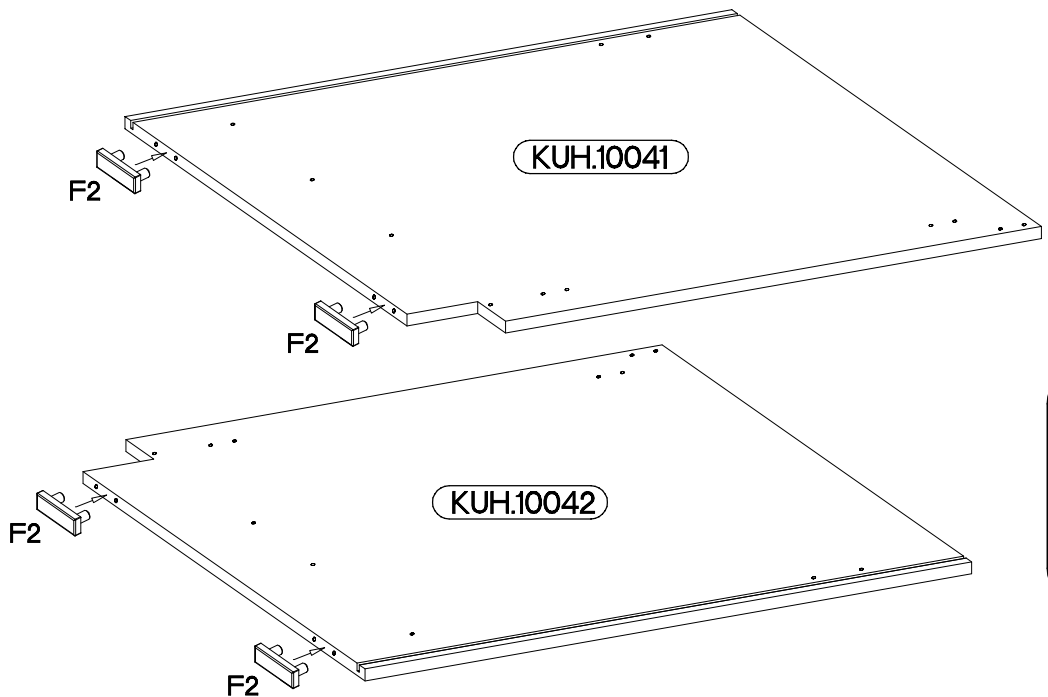
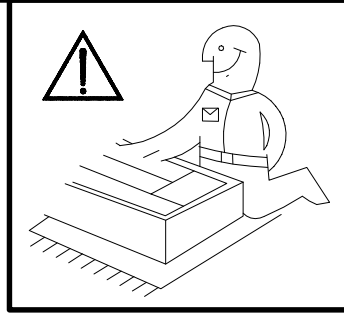
 A 8	 B 8	 E1 8	 E9 2	 F2 4	 HG 4
 O 1	 P4 2	 P5 8	 P7 4	 S23 2	 U 4



ISM-KUH-00927

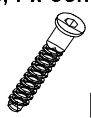
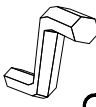

1

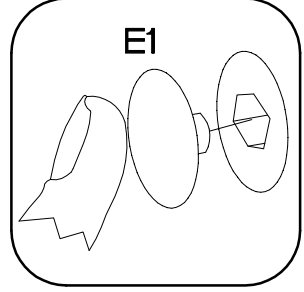
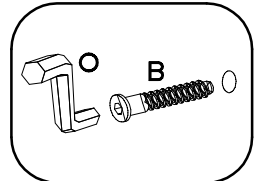
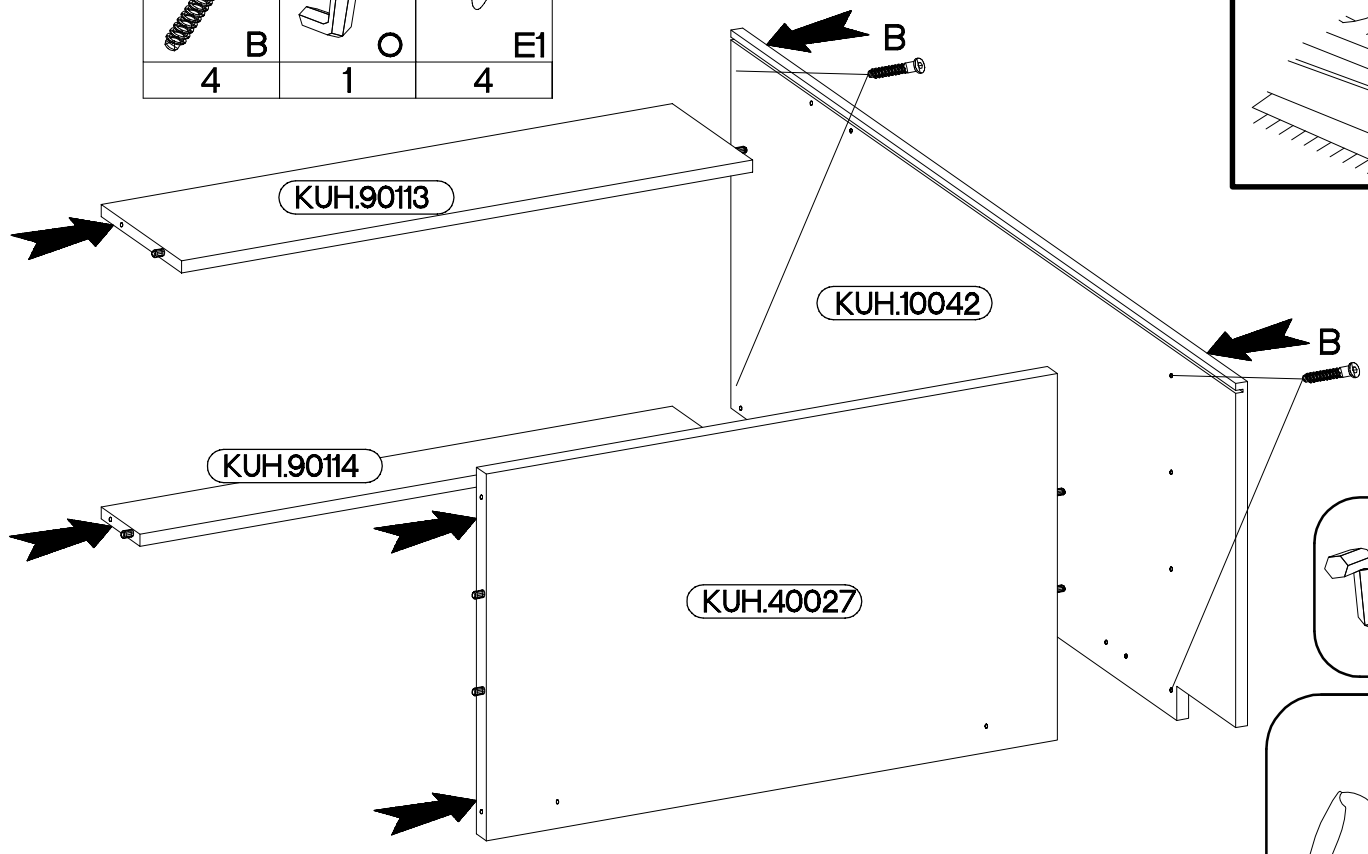
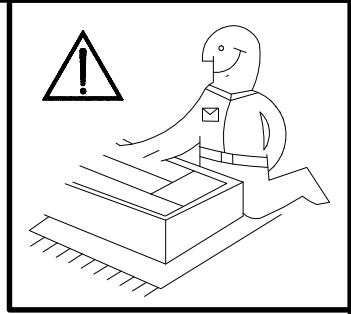
6.5x48x16  F2 4	±8x30mm  A 8	±35/0mm  HG 4	±3.5x13mm  P5 8
--	---	--	--




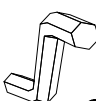

x2

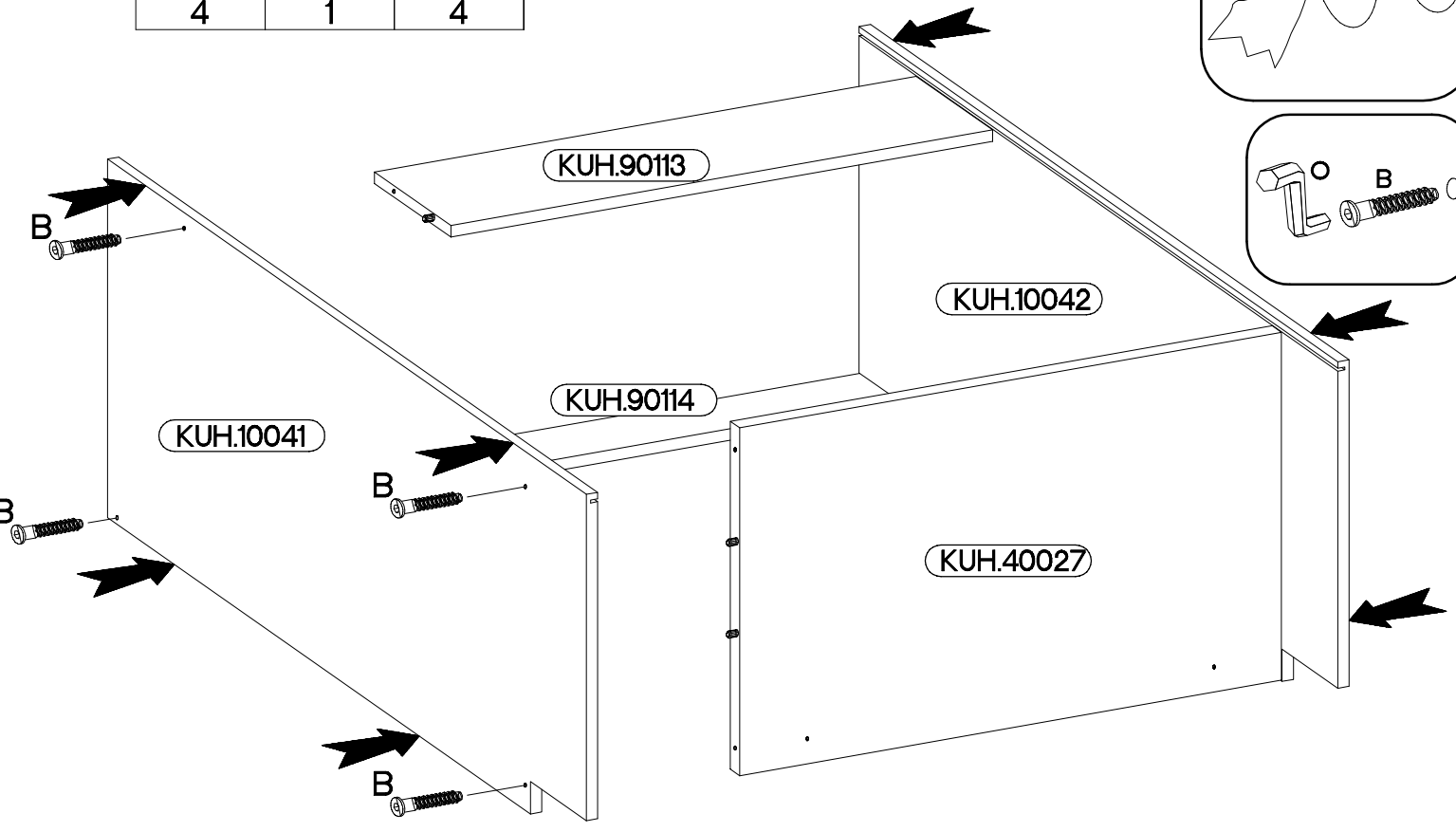
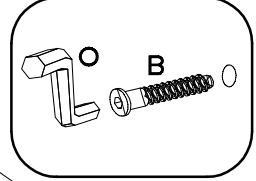
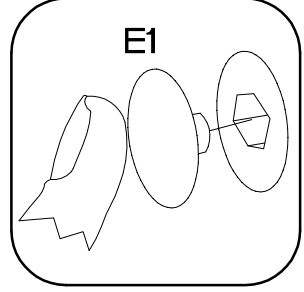
2

6,4 x 50mm		
		
B	O	E1
4	1	4




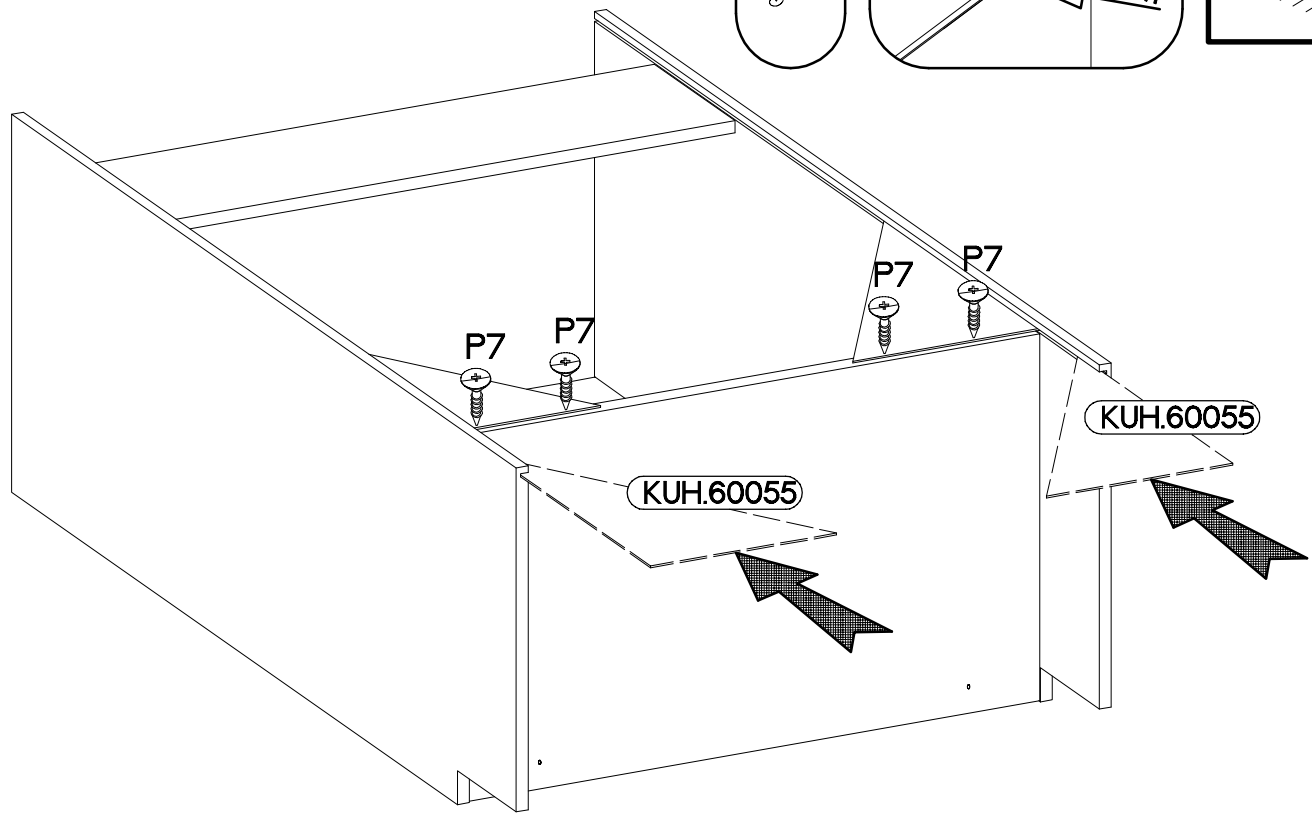
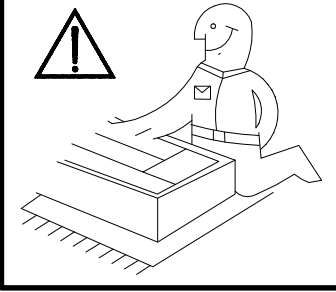
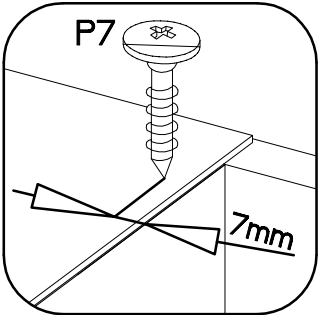
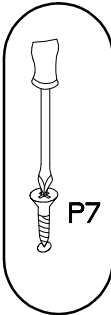
3

6,4 x 50mm		
		
B	O	E1
4	1	4





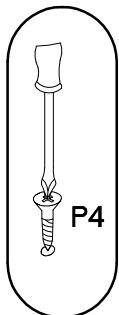
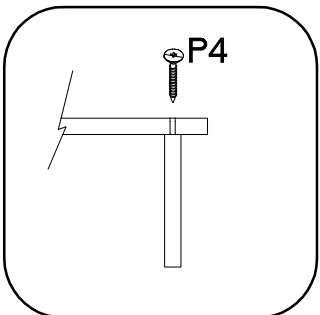
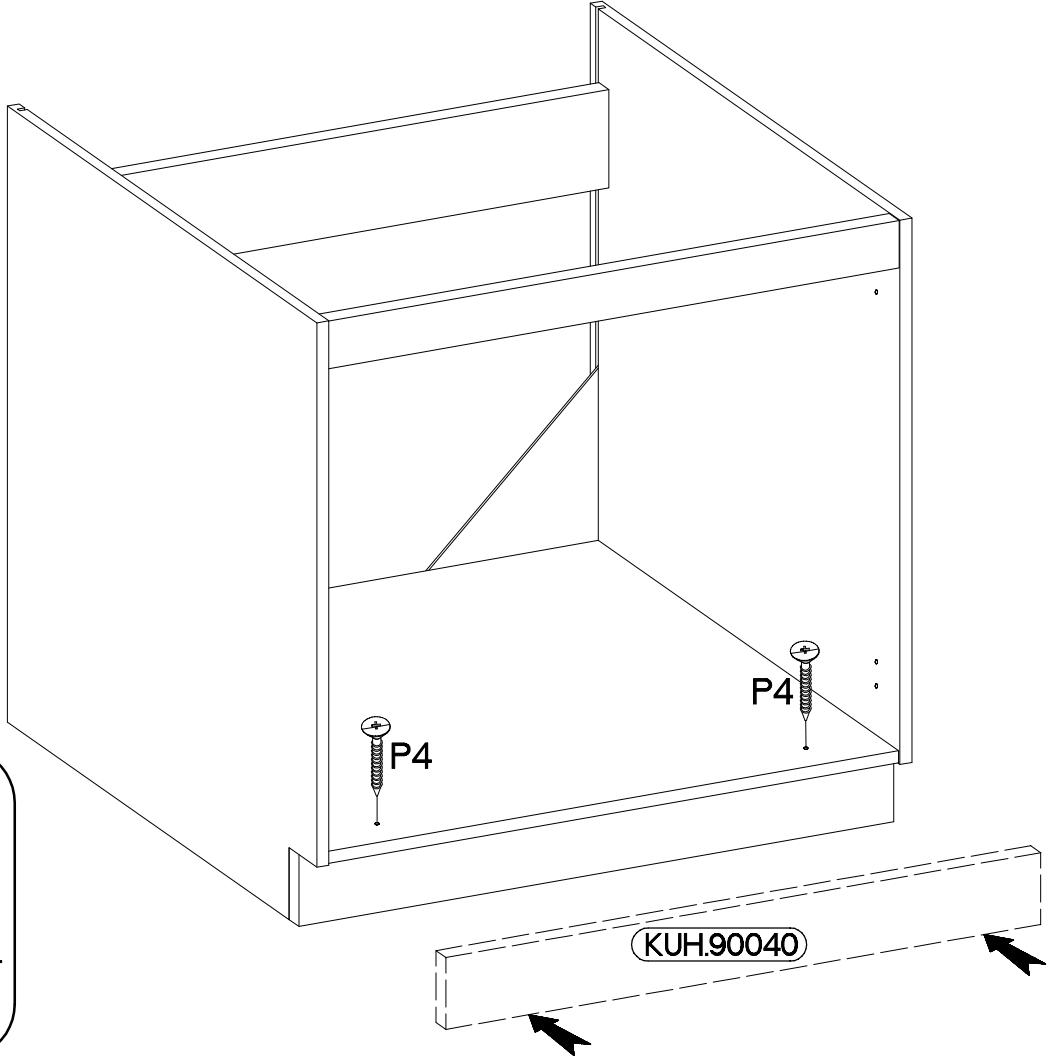
4

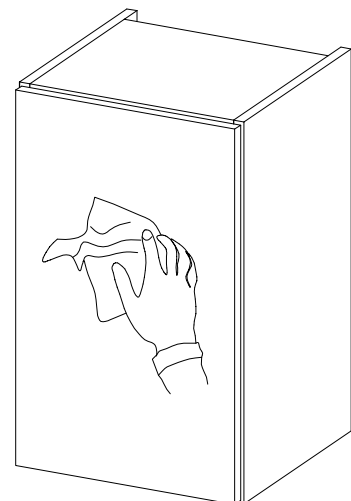
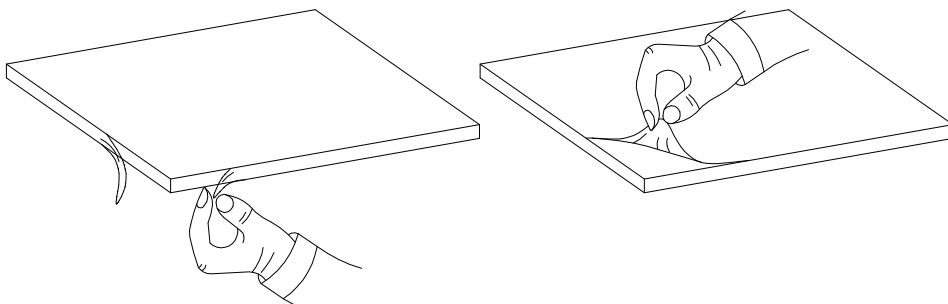
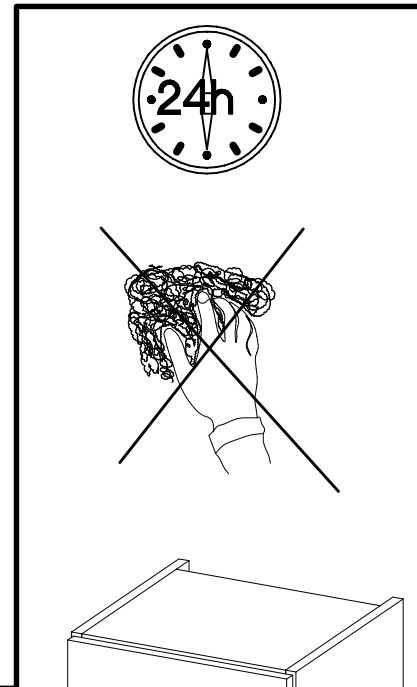
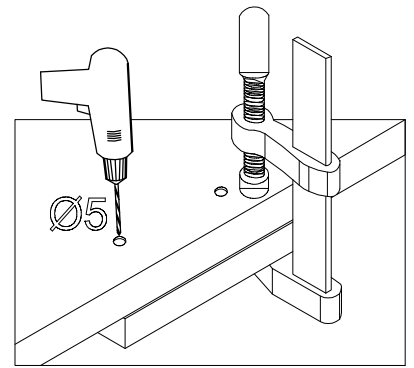
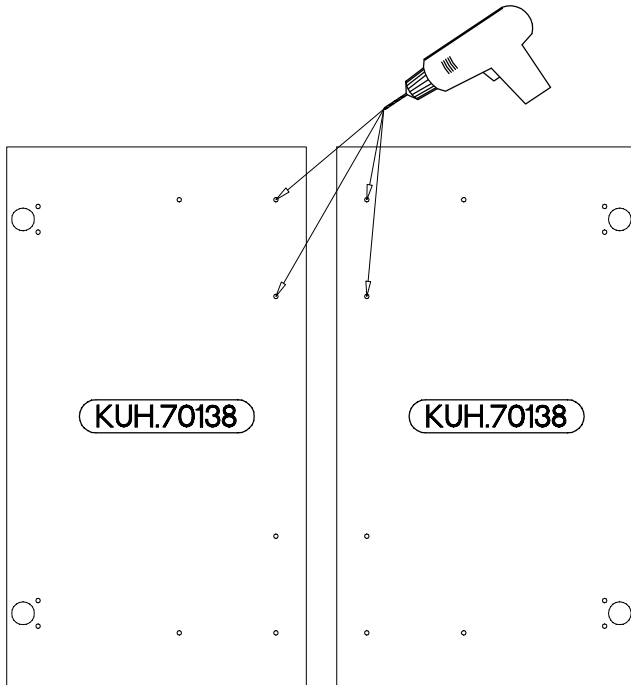
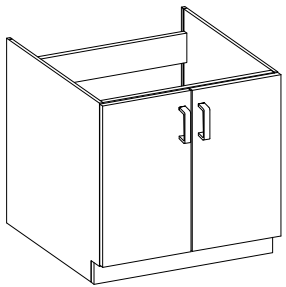
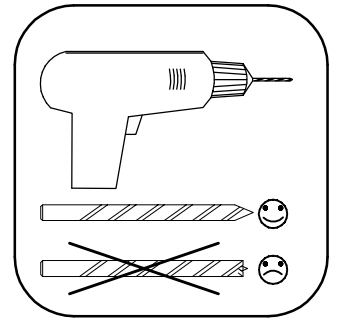
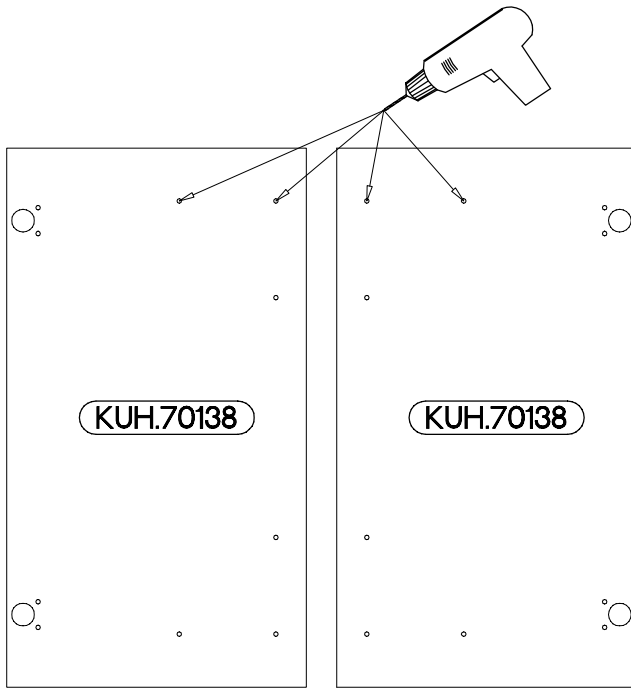
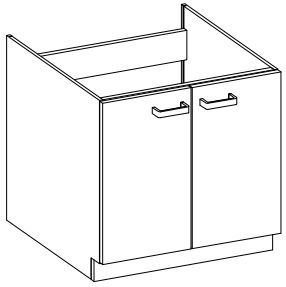
3.0x20mm

P7
4





5

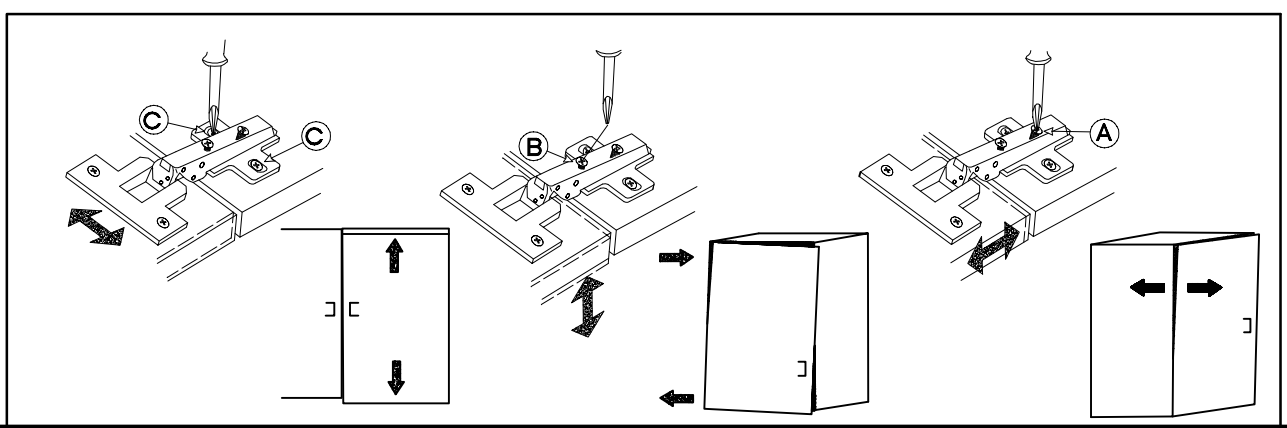
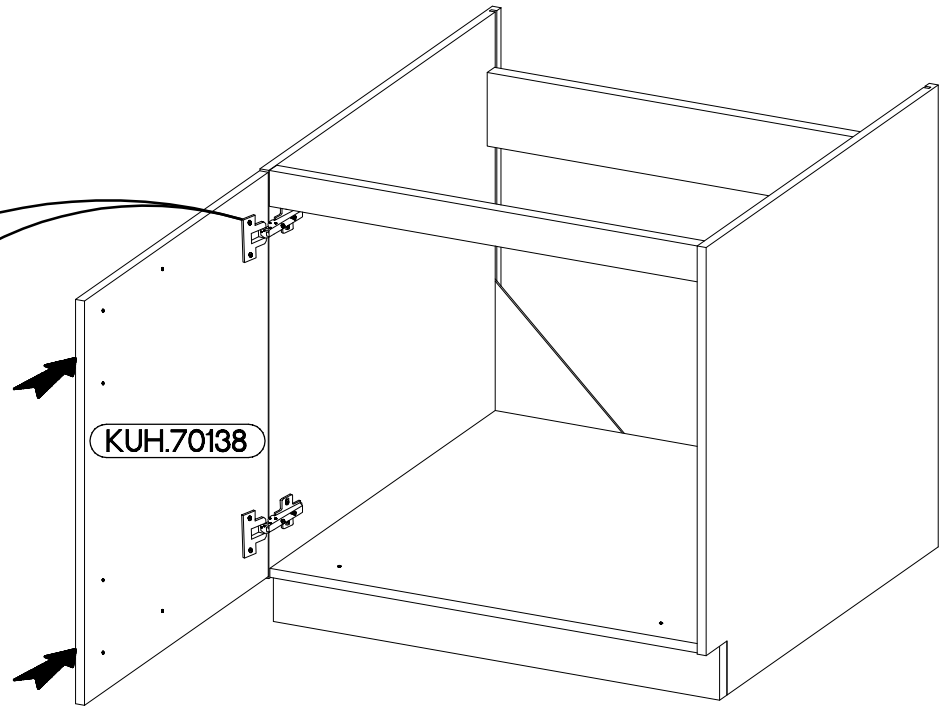
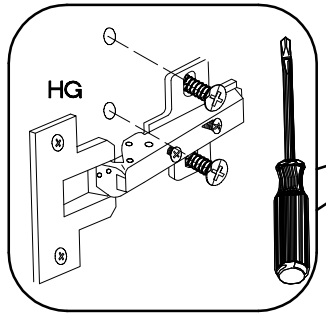
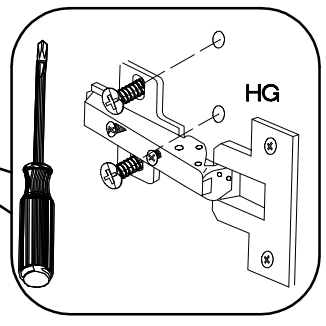
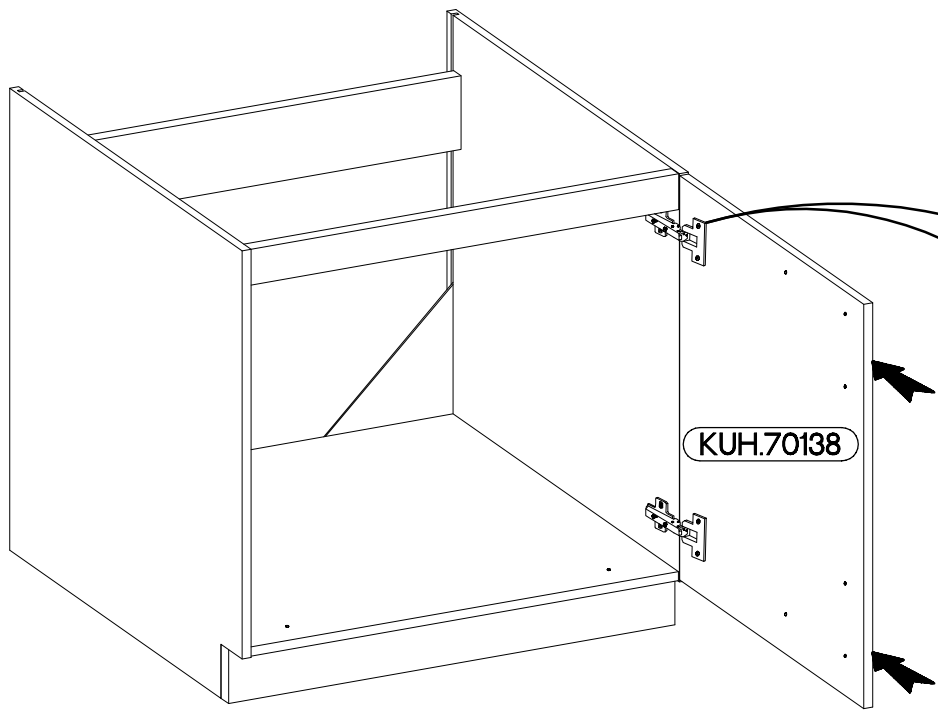
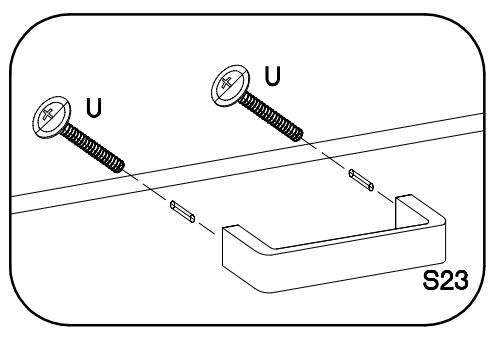
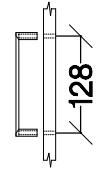
4.0x45mm	
	E9
2	2

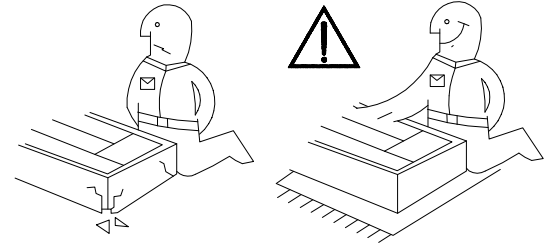
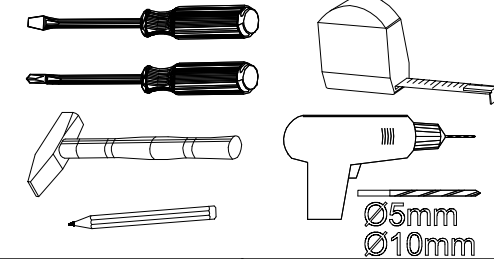
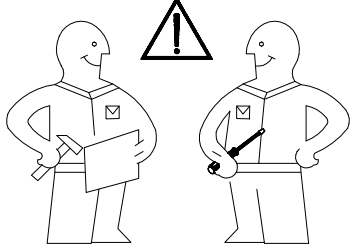




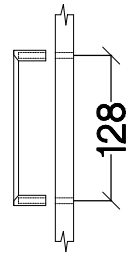
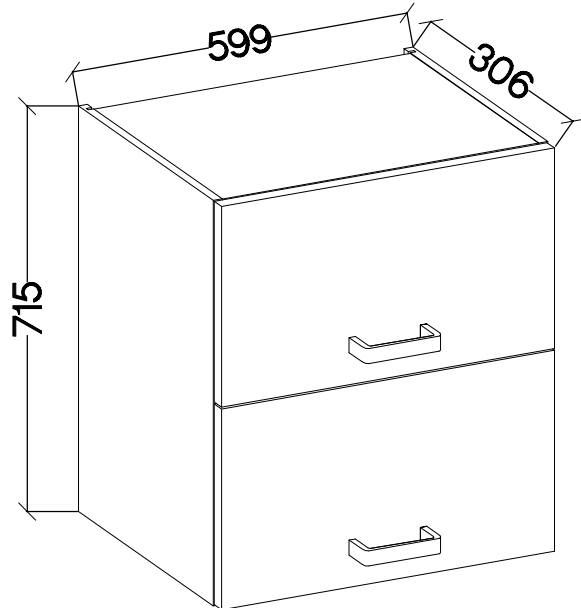
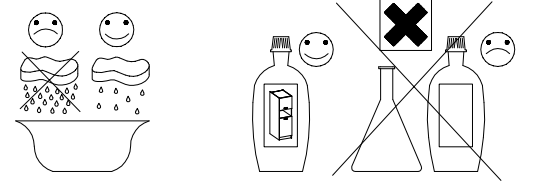
7

M4x22mm		
4	U	S23
4		2



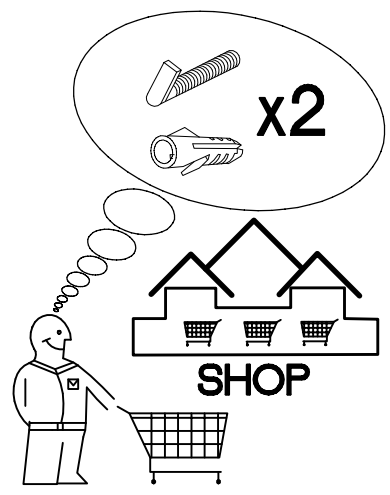
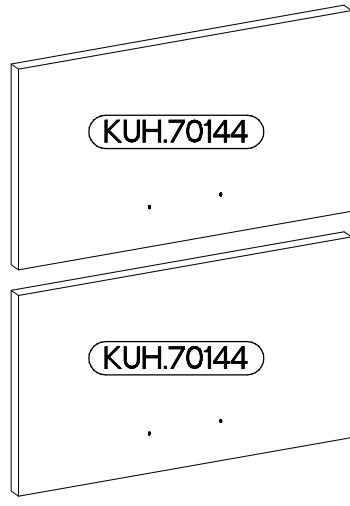
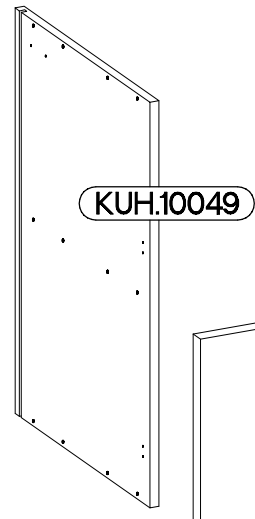
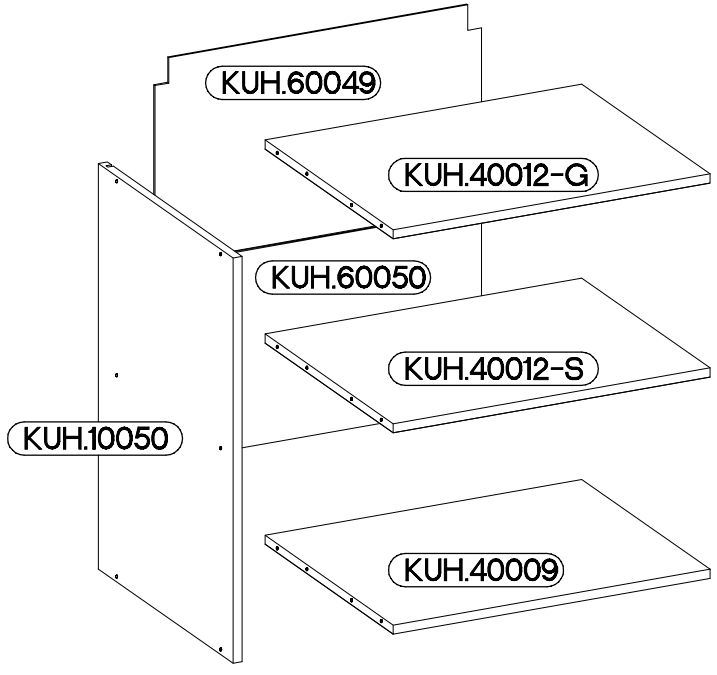


60 GU-72 2F

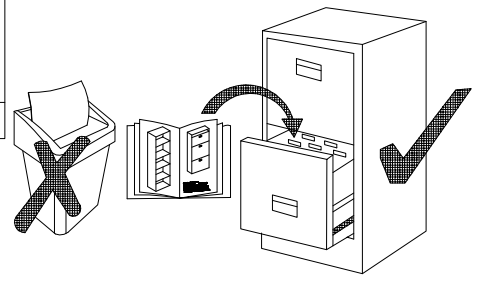


max.
5kg

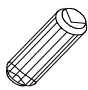
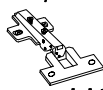


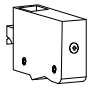
KUH.40012
KUH.40009

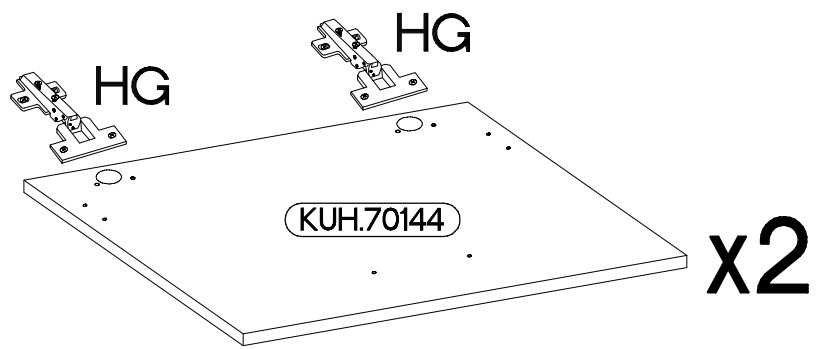
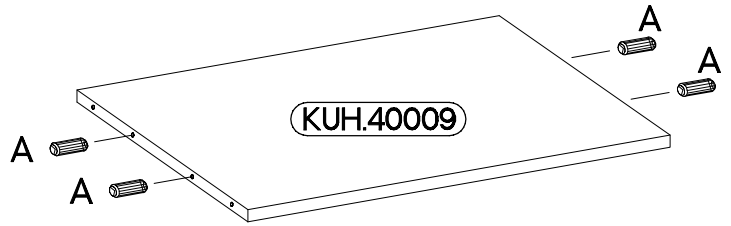
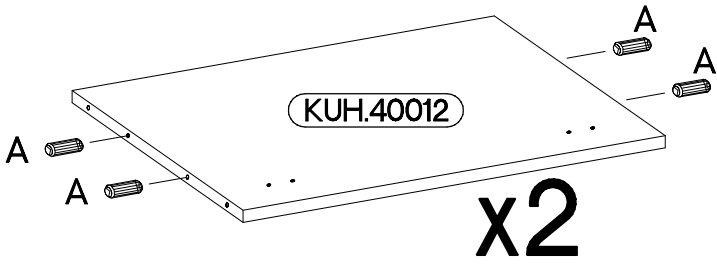
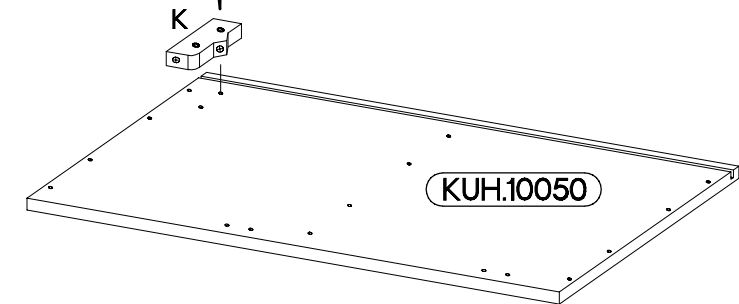
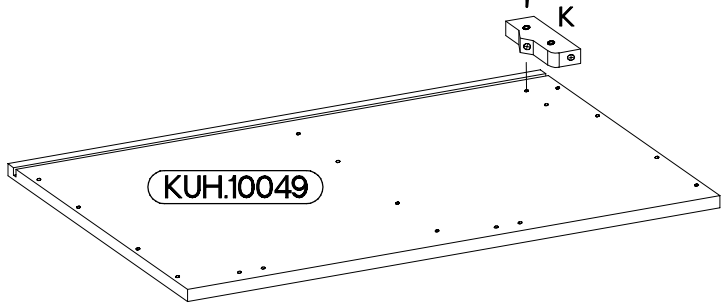
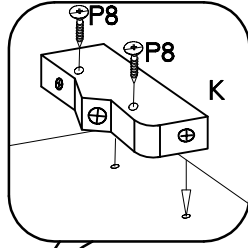
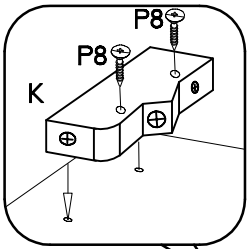
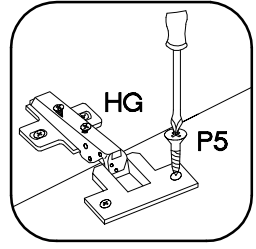
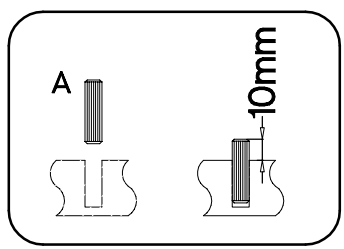
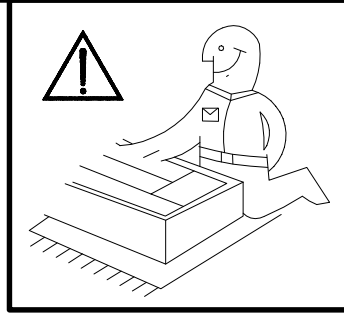


 A 12	 B 12	 E1 12	 HG 4	 J5 4	 K 2	 K24 4
 L2 4	 O 1	 P5 8	 P7 10-15	 P8 4	 S23 2	 U 4
±8x30mm	6,4 x 50mm	±35/0mm	±3.5x13mm	±3.0x20mm	±4.0x30mm	M4x22mm



ISM-KUH-00917

±8x30mm  A	±35/0mm  HG	±3.5x13mm  P5	±4.0x30mm  P8	 K
12	4	8	4	2



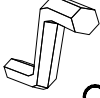
2

6,4 x 50mm



B

6



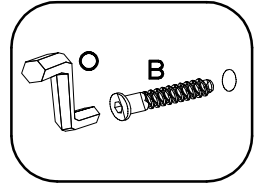
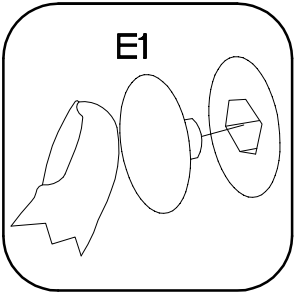
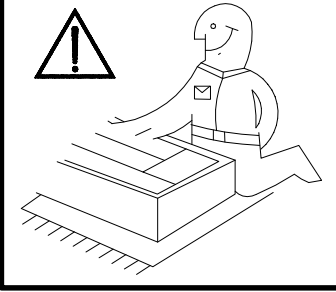
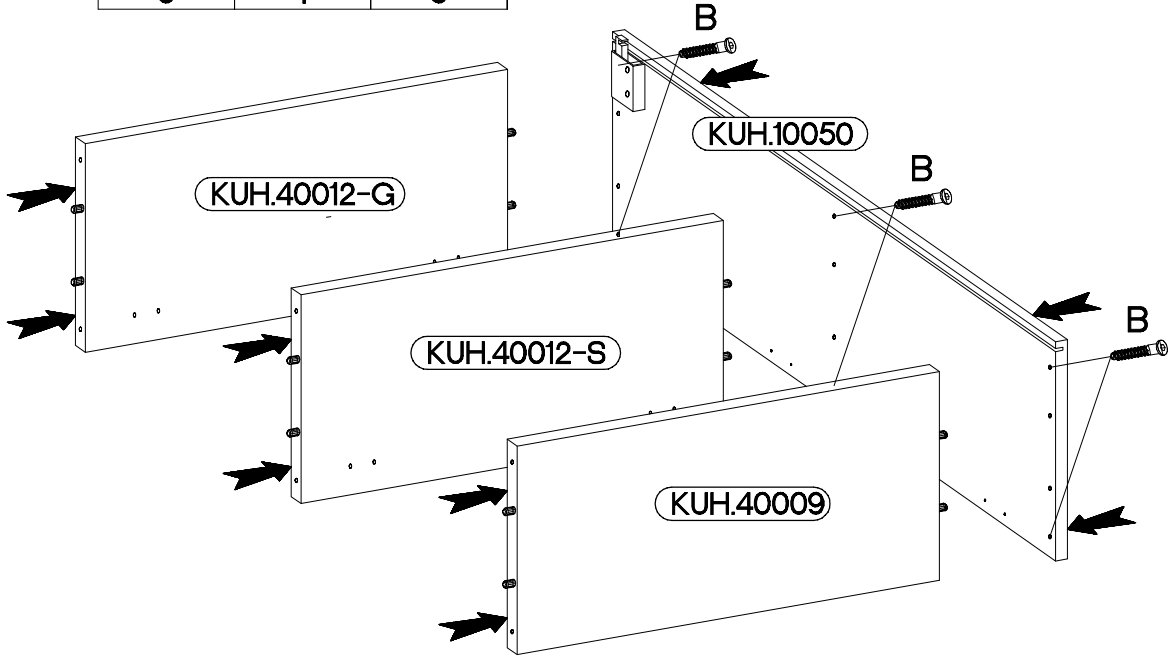
O

1



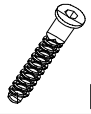
E1

6



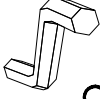
3

6,4 x 50mm



B

6



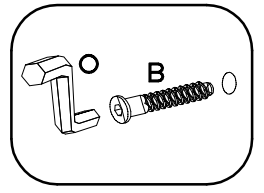
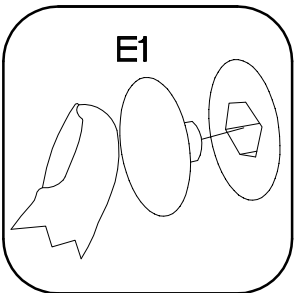
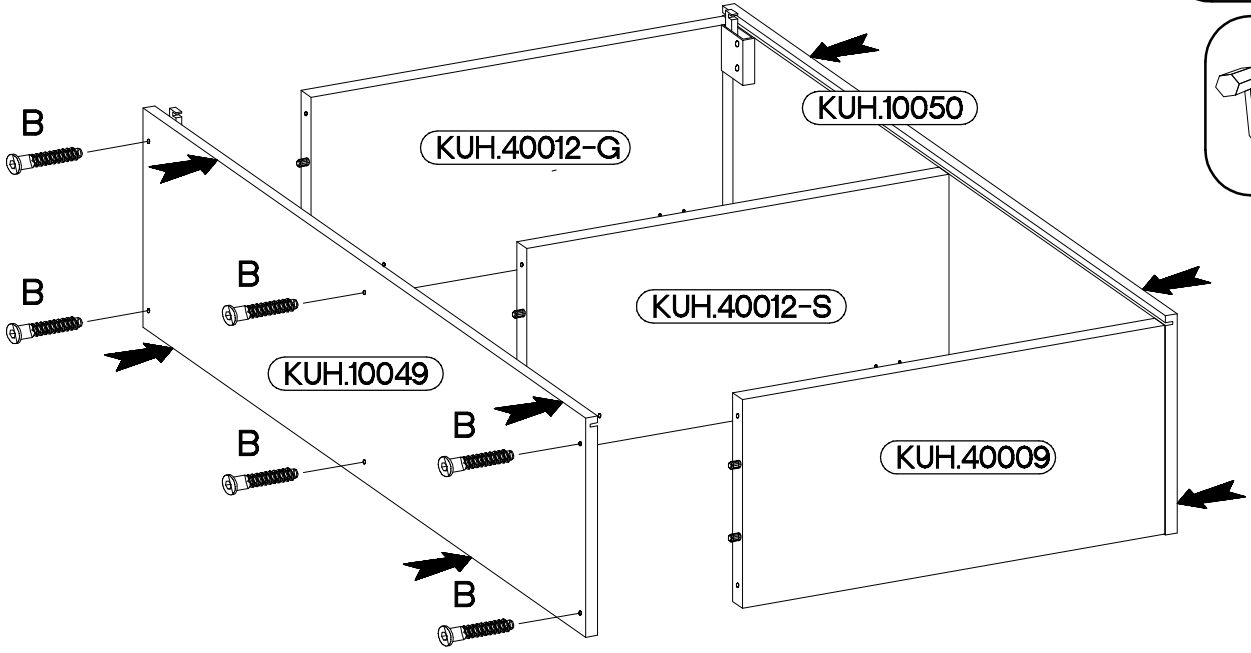
O

1

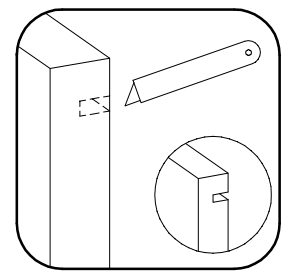
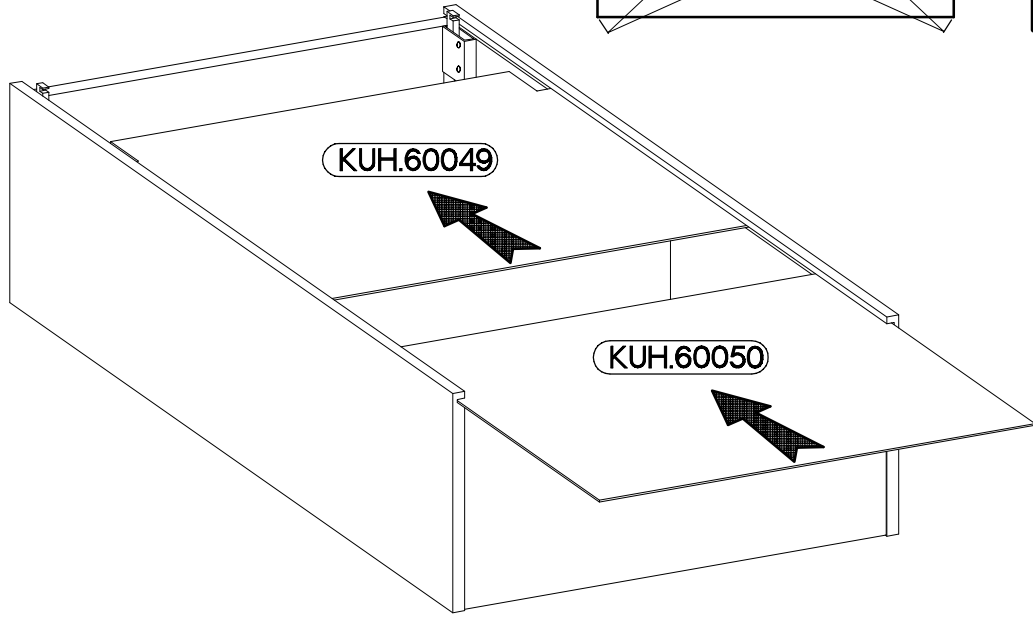
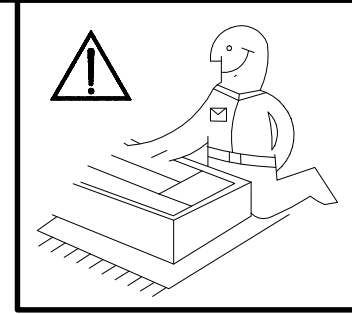
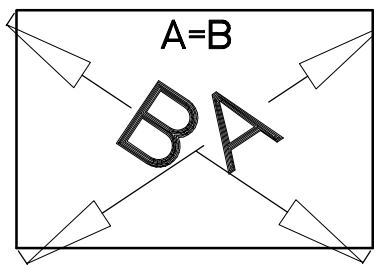


E1

6

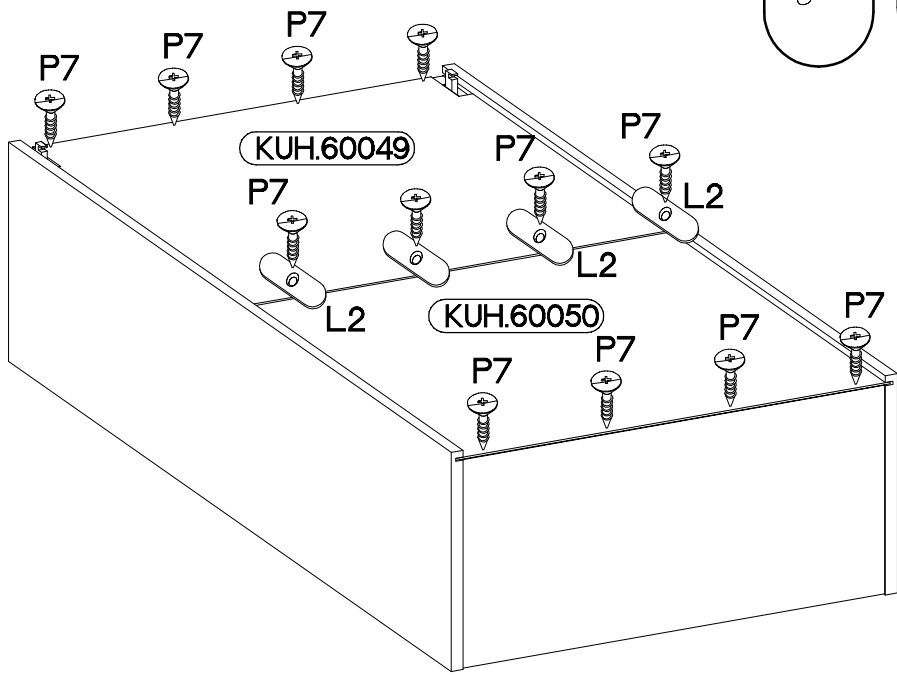
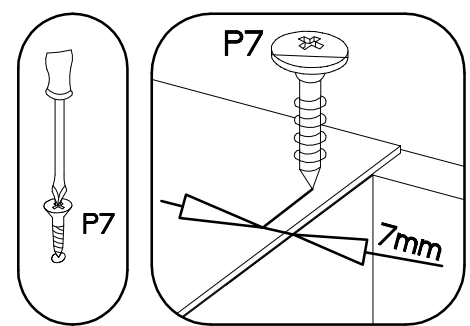


4

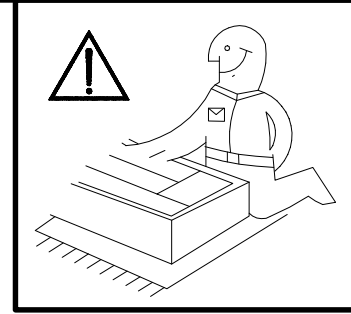
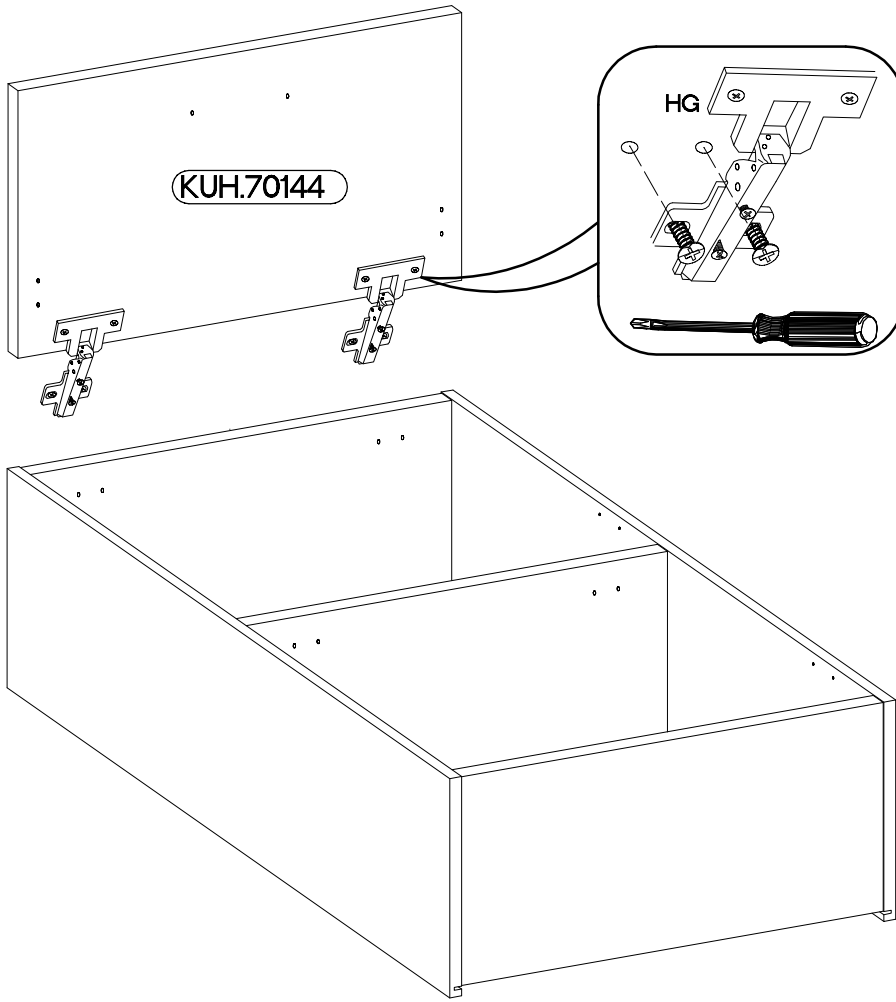


5

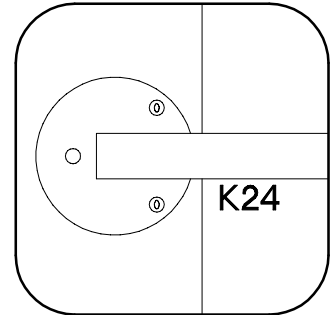
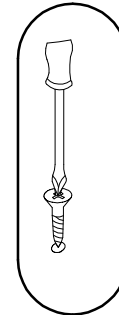
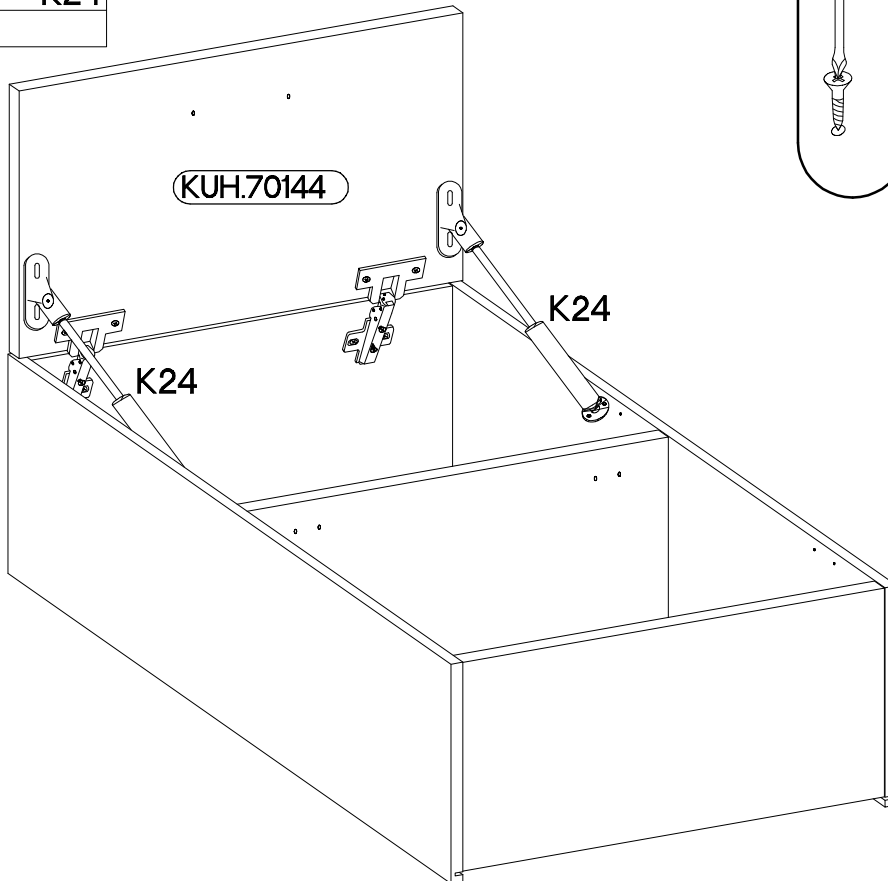
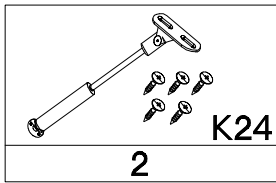
$\varnothing 3.0 \times 20 \text{mm}$ P7 10-15	 L2 4
--	-------------



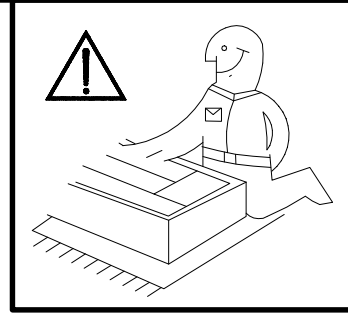
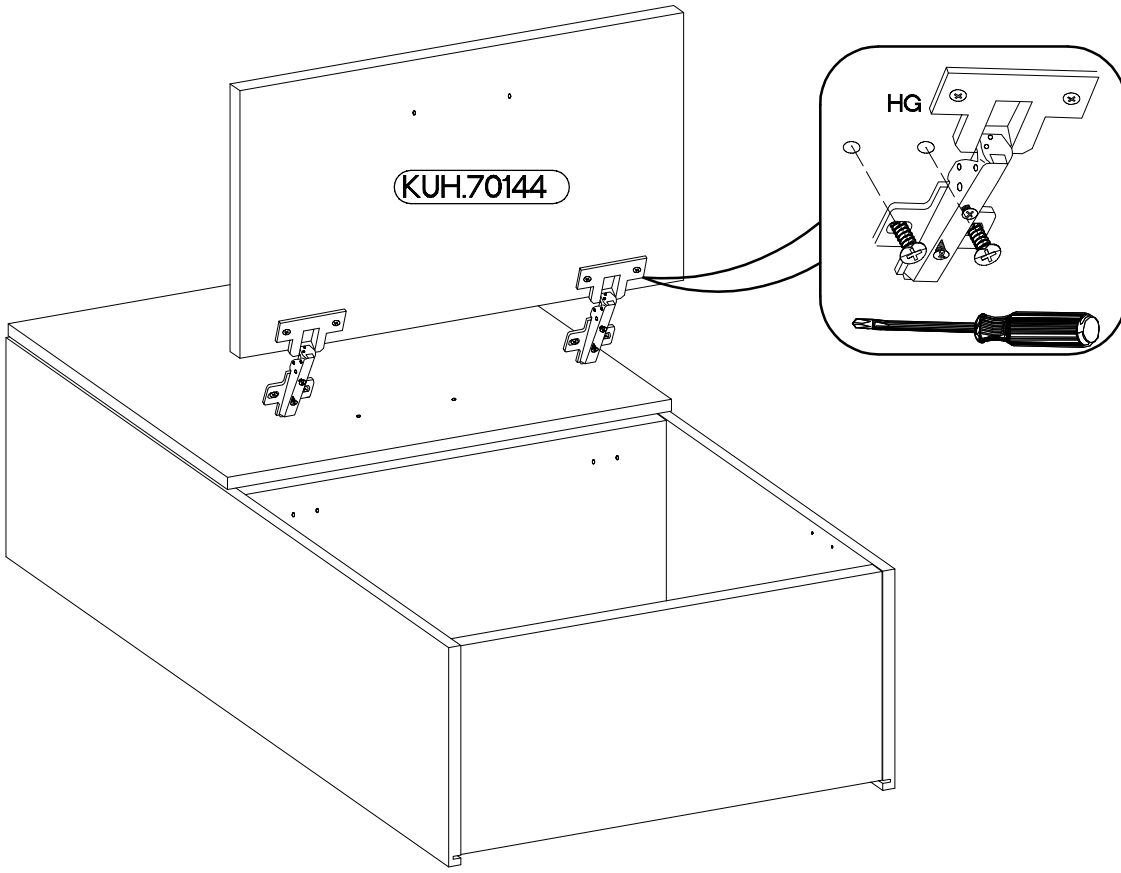
6



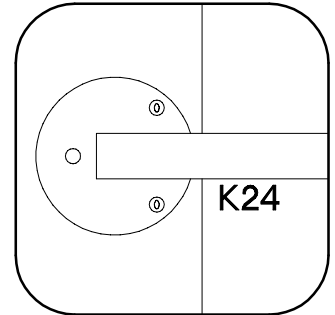
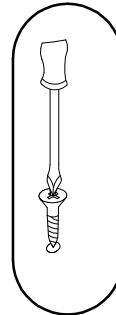
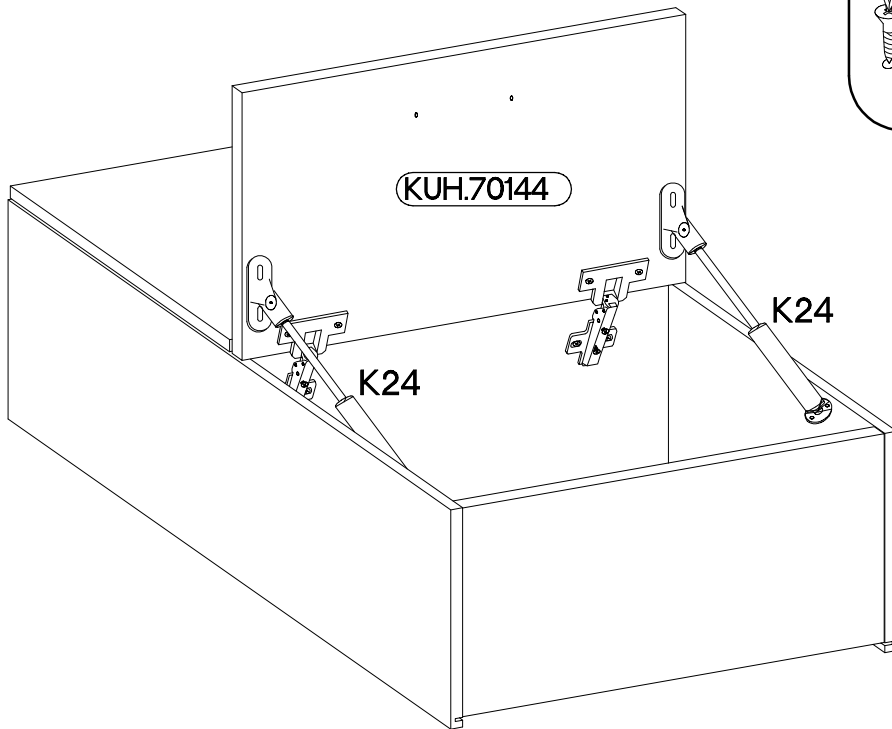
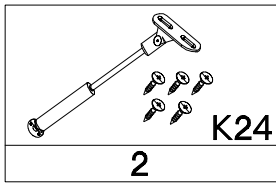
7






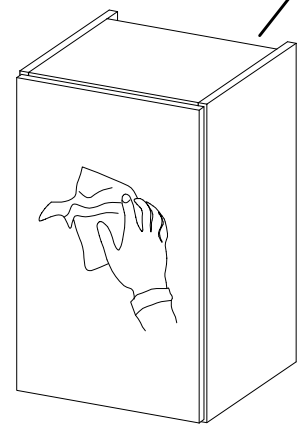
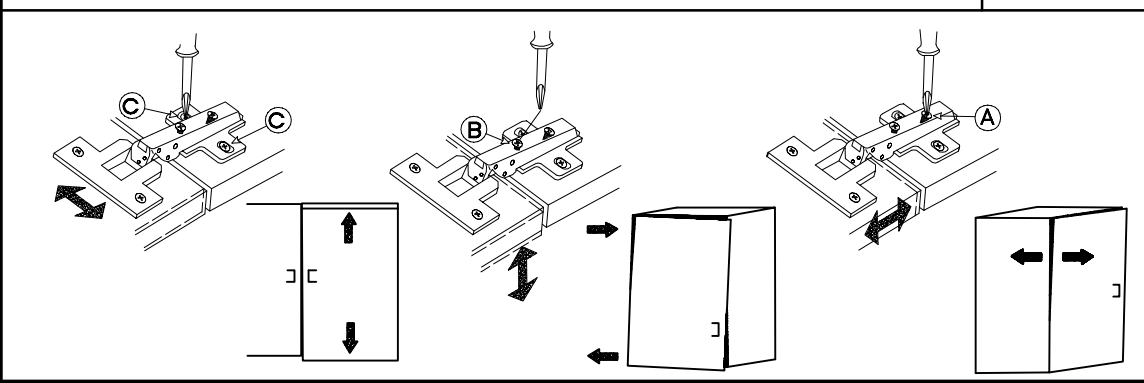
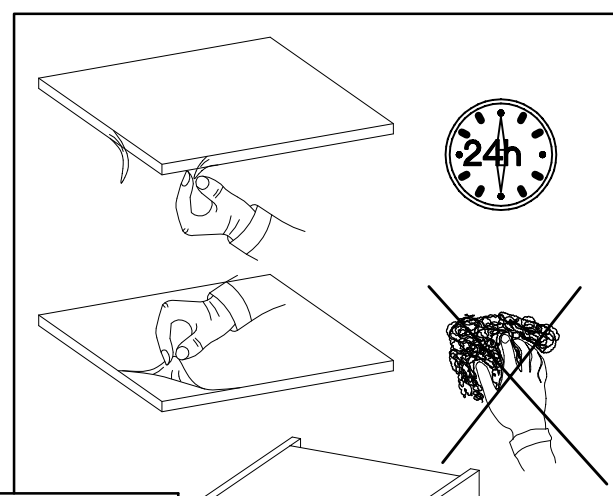
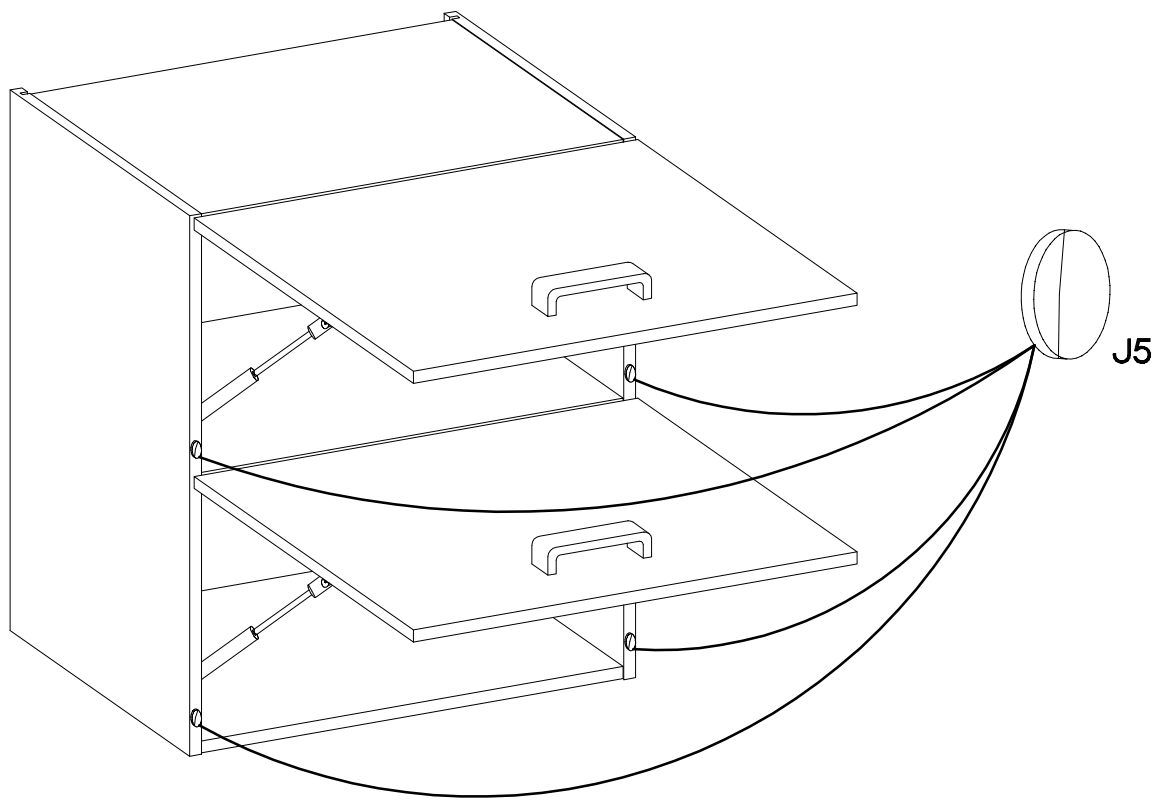
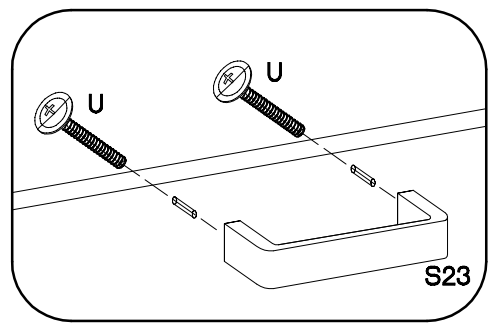
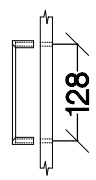
8

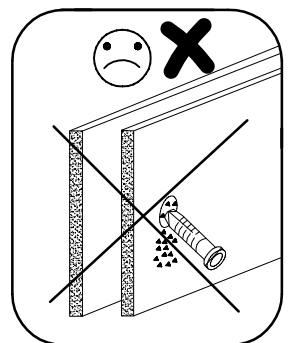
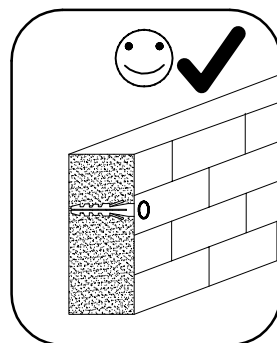
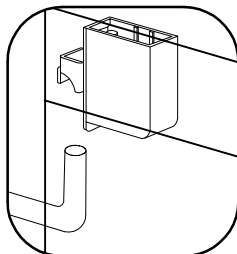
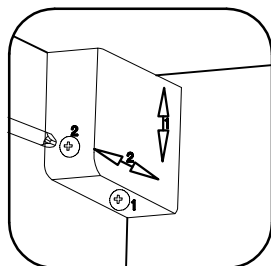
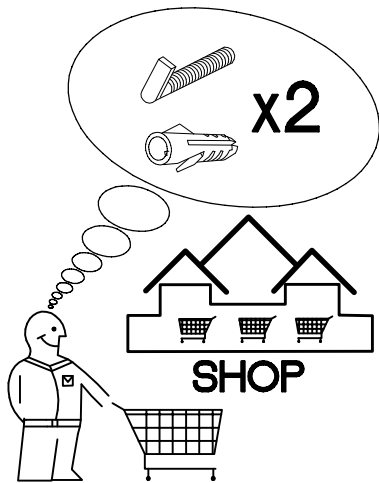
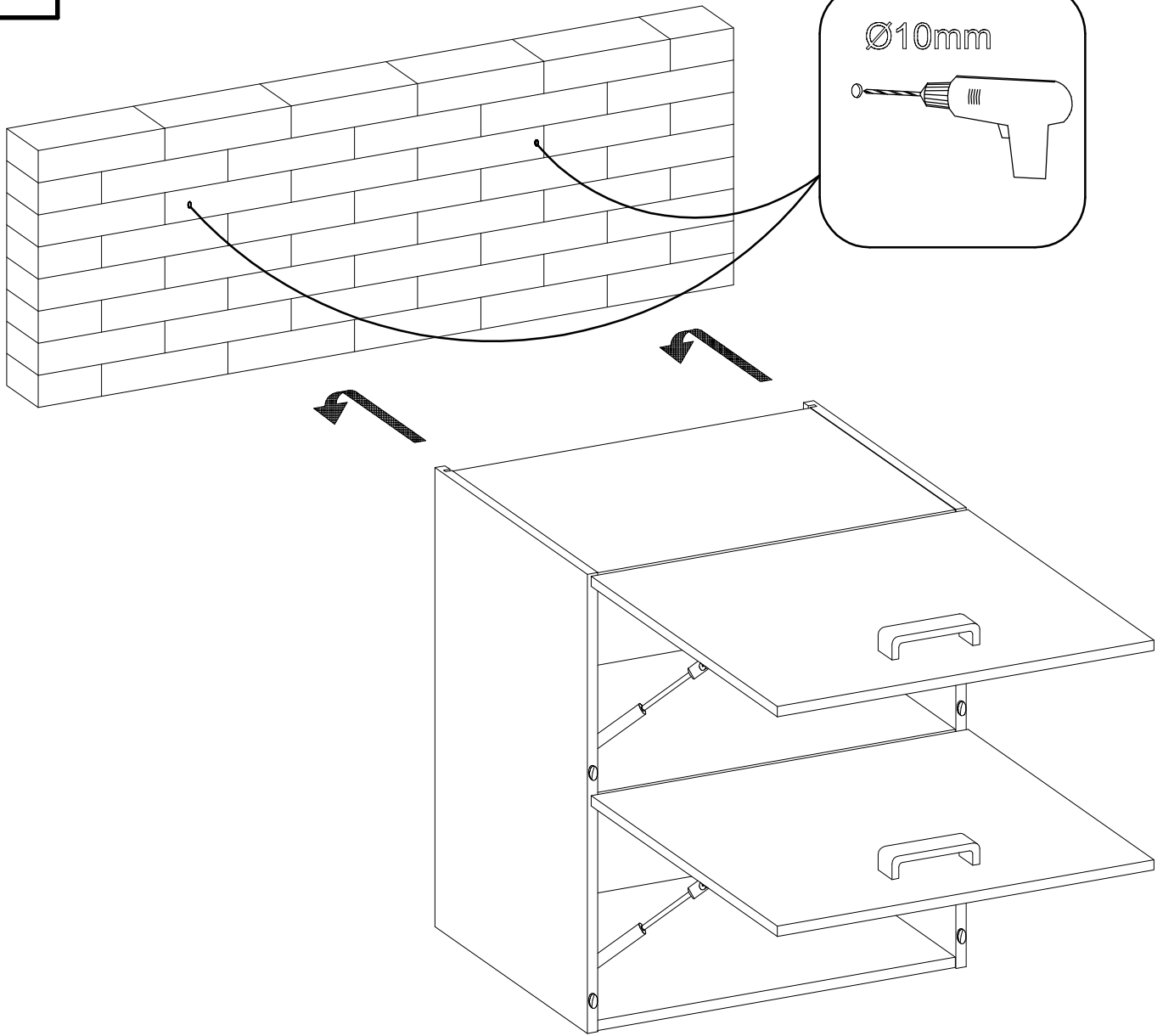


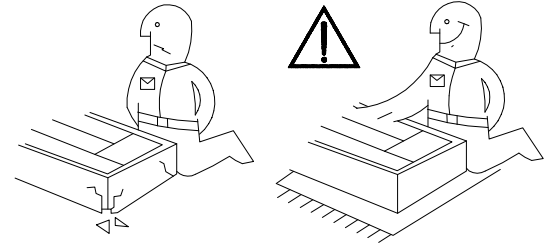
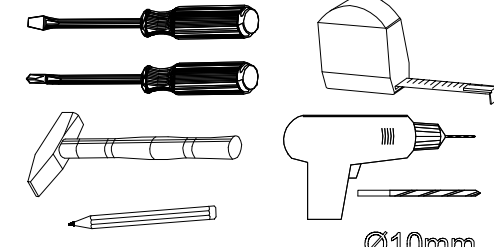
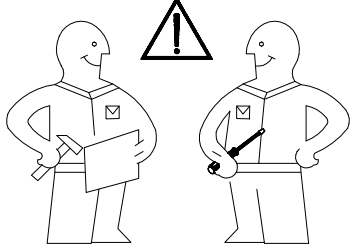
9



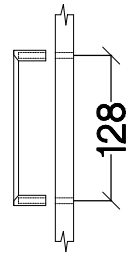
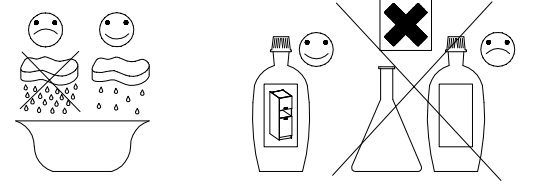
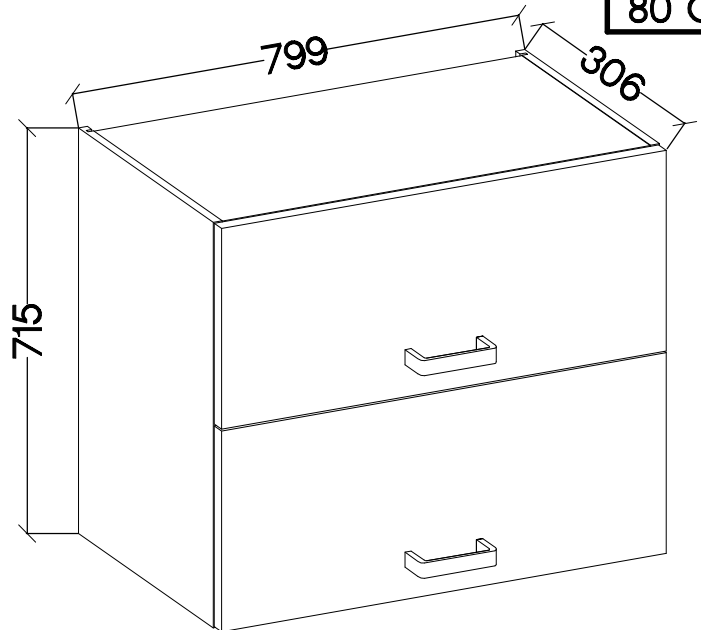
M4x22mm		
		
U	S23	J5
4	2	4





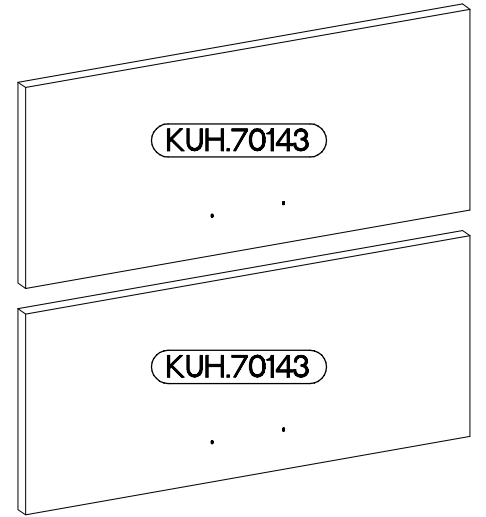
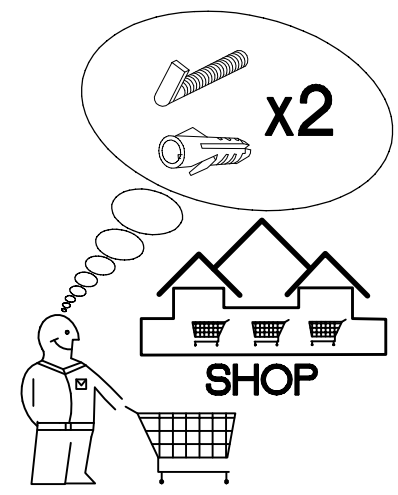
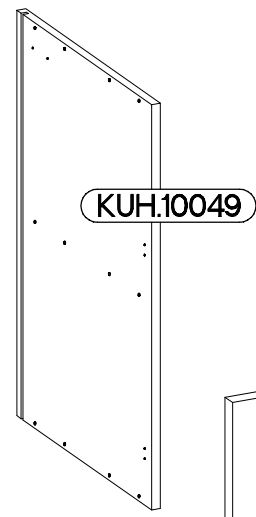
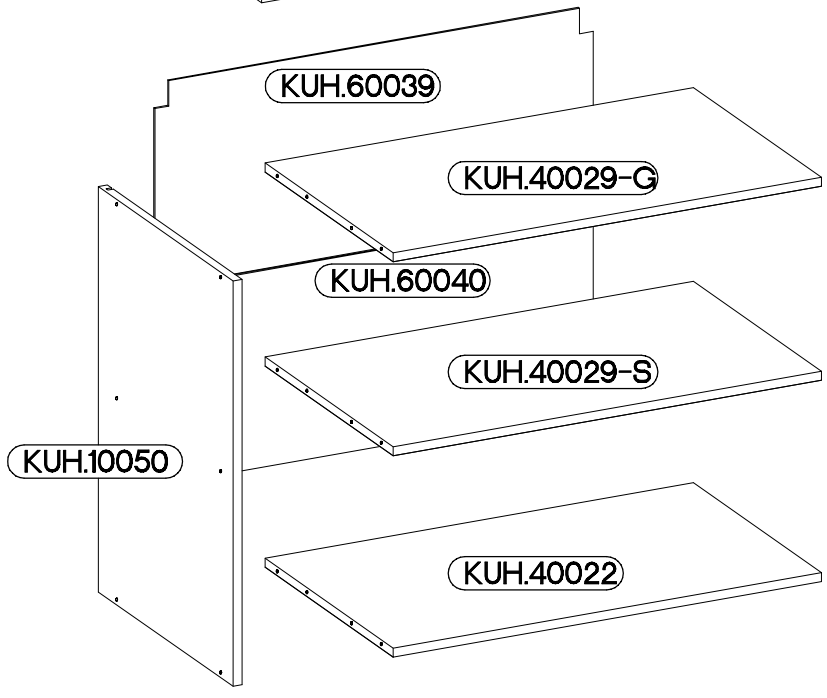


80 GU-72 2F

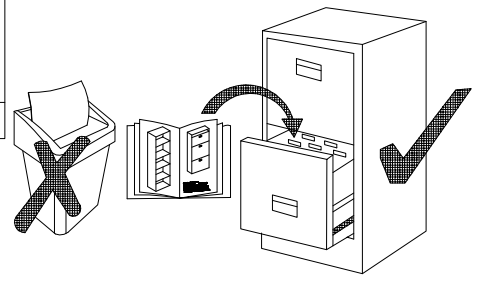


max. 5kg

KUH.40029
KUH.40022

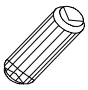
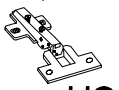

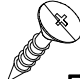
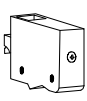


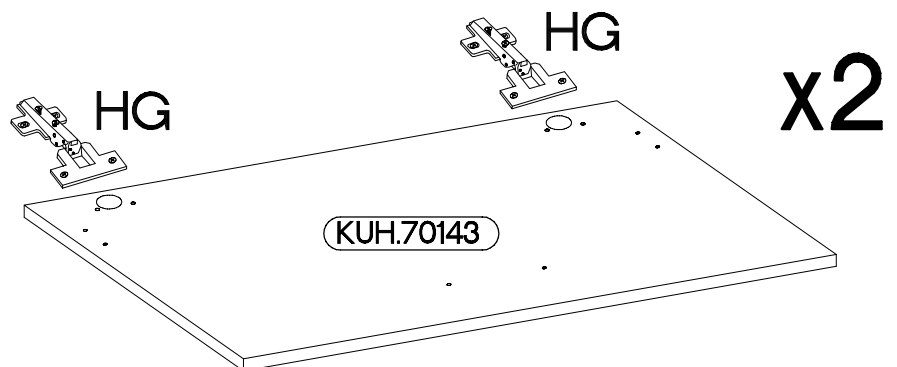
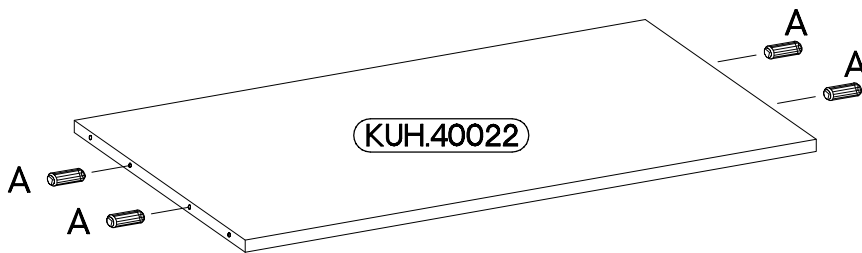
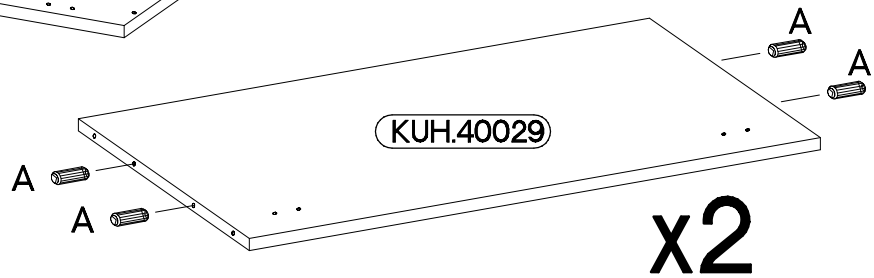
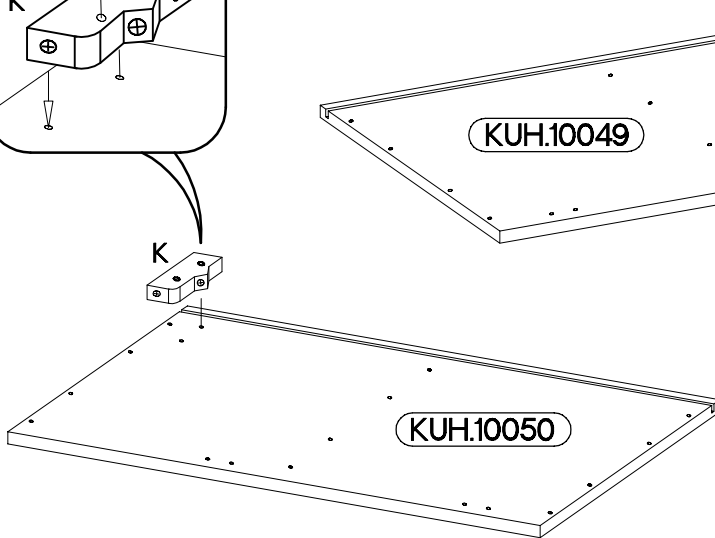
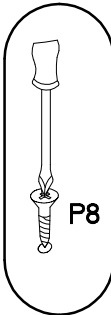
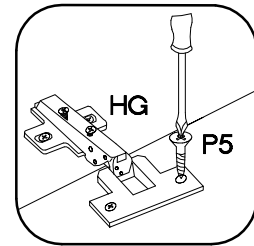
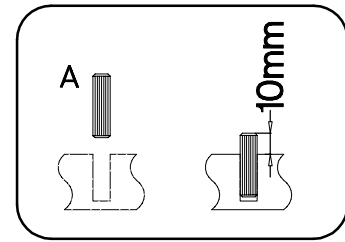
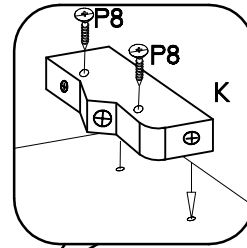
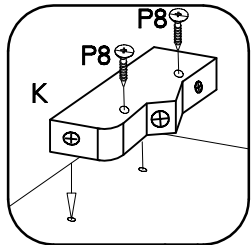
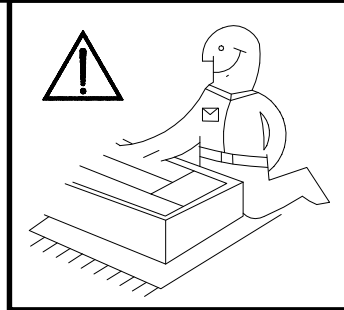
 A 12	 B 12	 E1 12	 HG 4	 J5 4	 K 2	 K24 4
 L2 5	 O 1	 P5 8	 P7 10-15	 P8 4	 S23 2	 U 4



ISM-KUH-00926

1

±8x30mm  A 12	±35/0mm  HG 4	±3.5x13mm  P5 8	±4.0x30mm  P8 4	 K 2
--	--	--	--	--



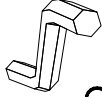
2

6,4 x 50mm



B

6



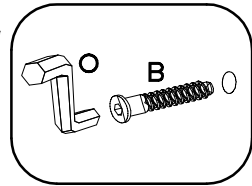
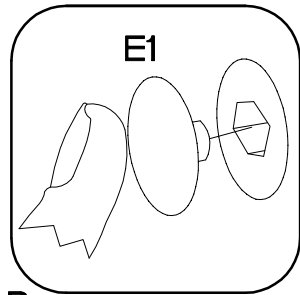
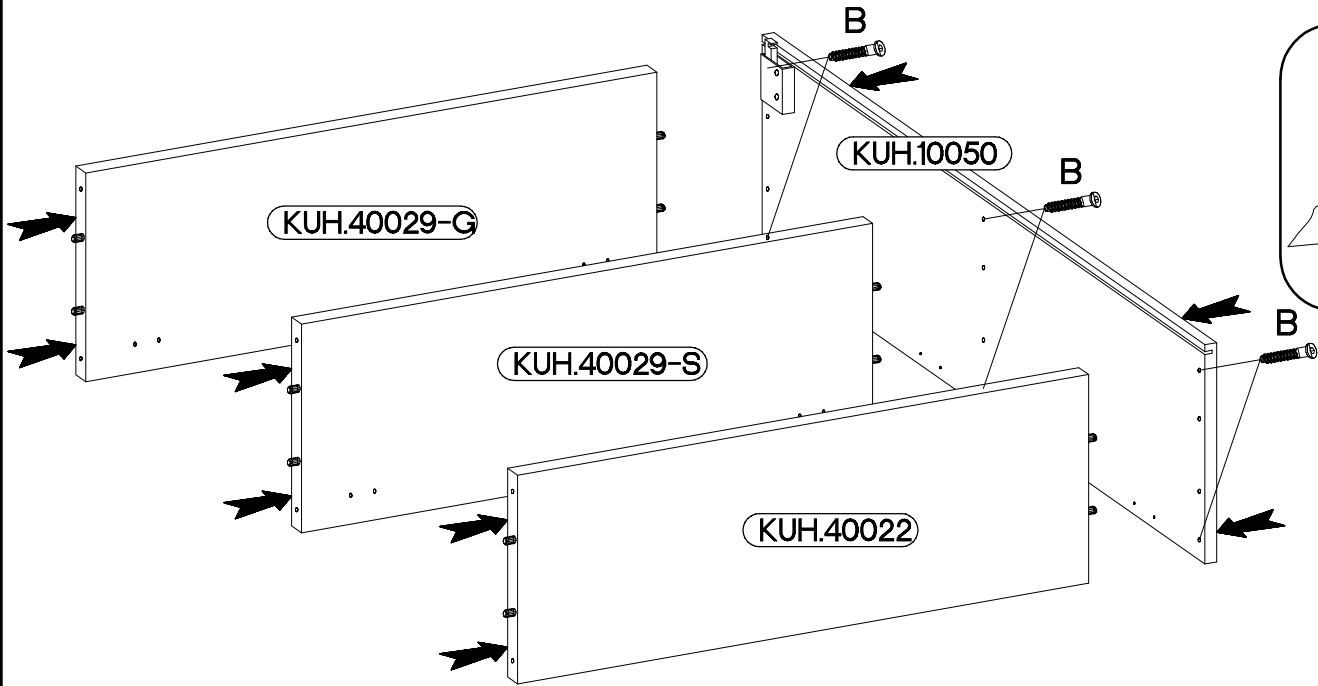
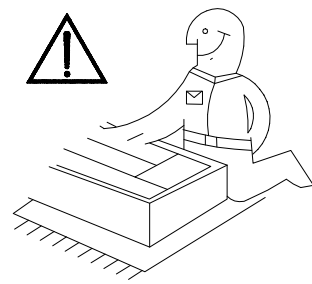
O

1



E1

6



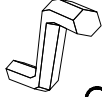
3

6,4 x 50mm



B

6



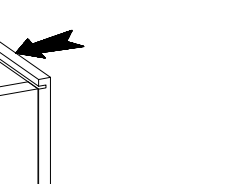
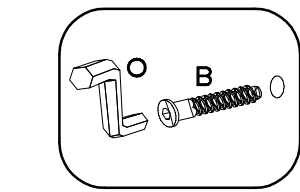
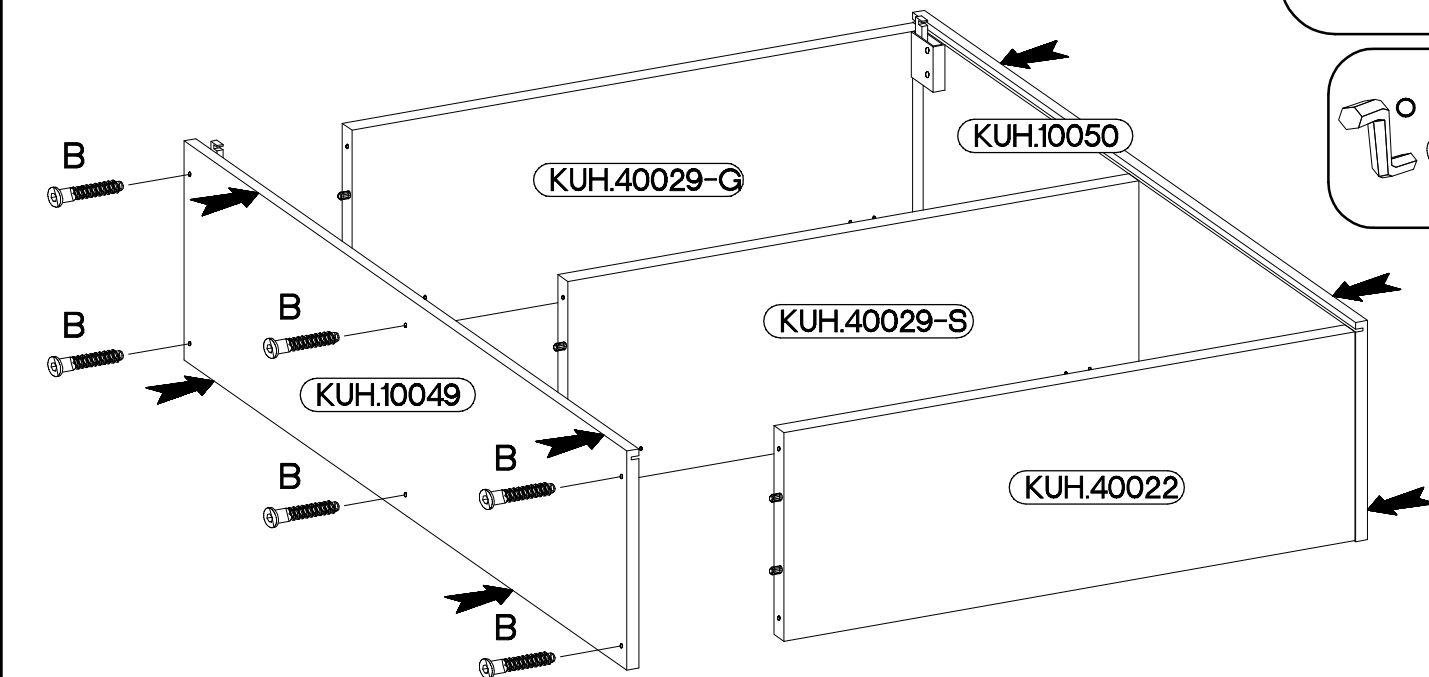
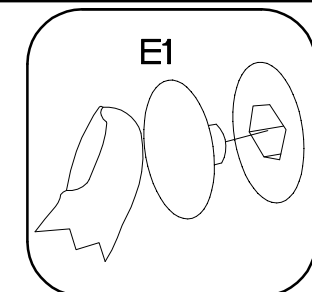
O

1

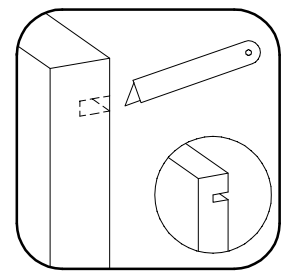
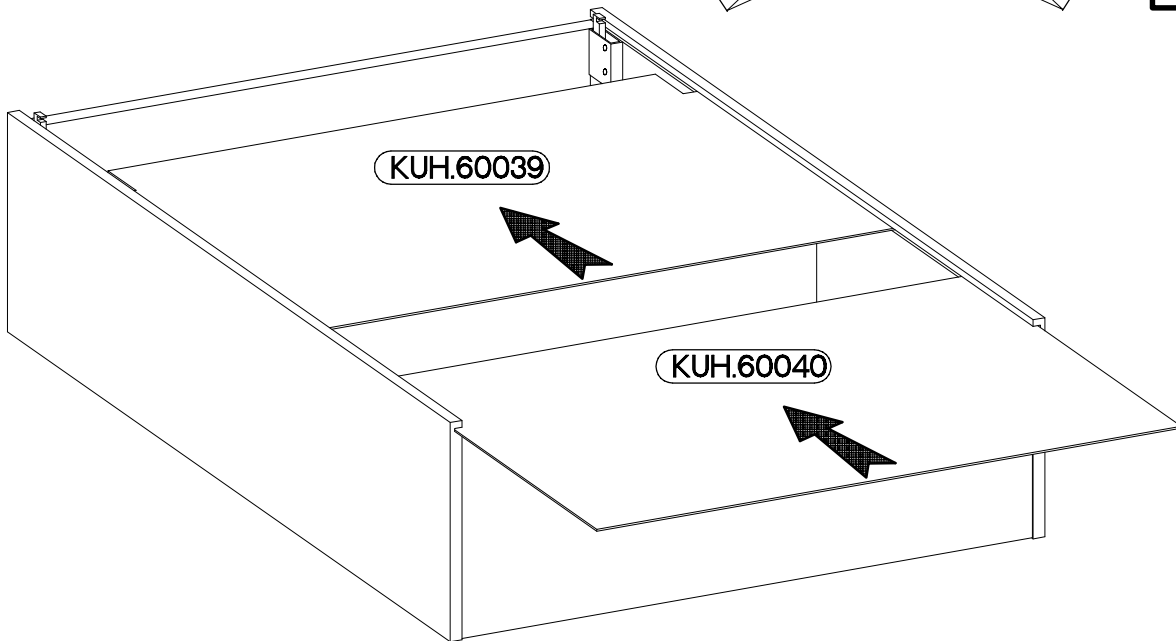
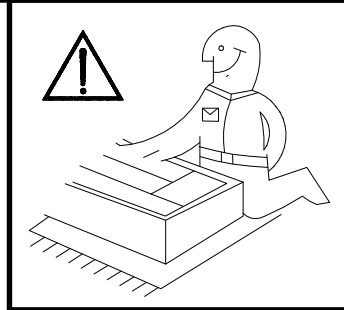
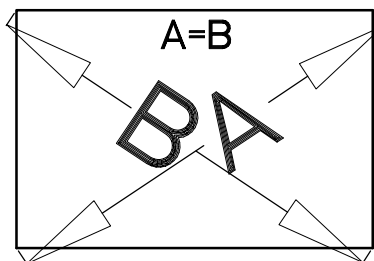


E1

6

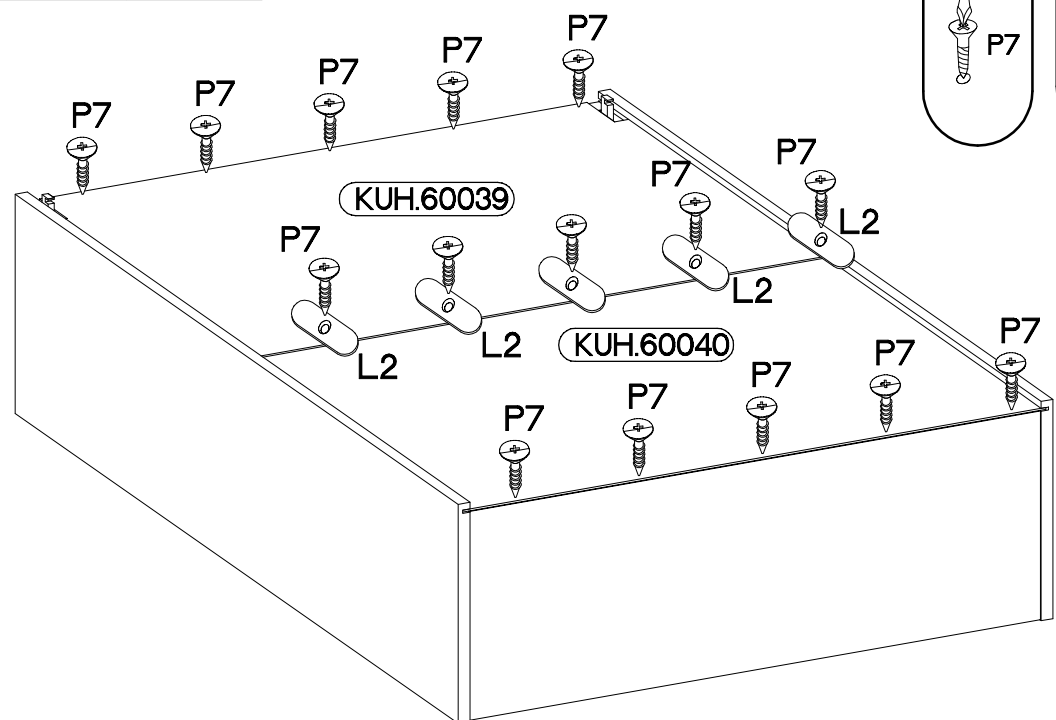
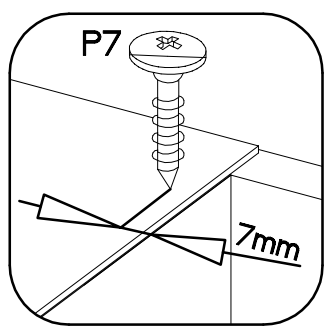
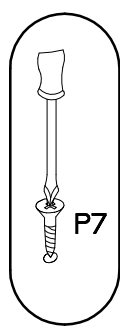


4

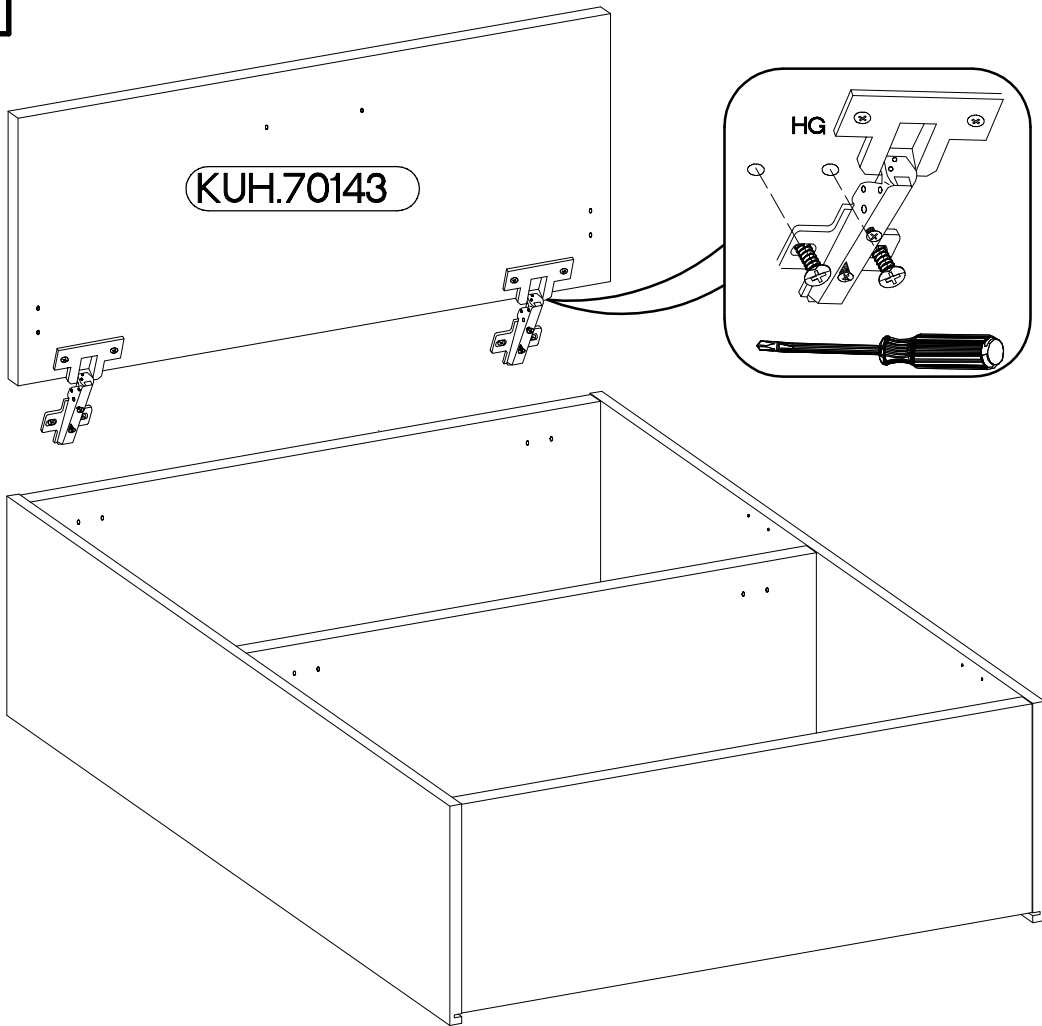
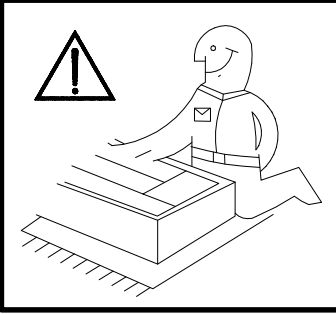


5

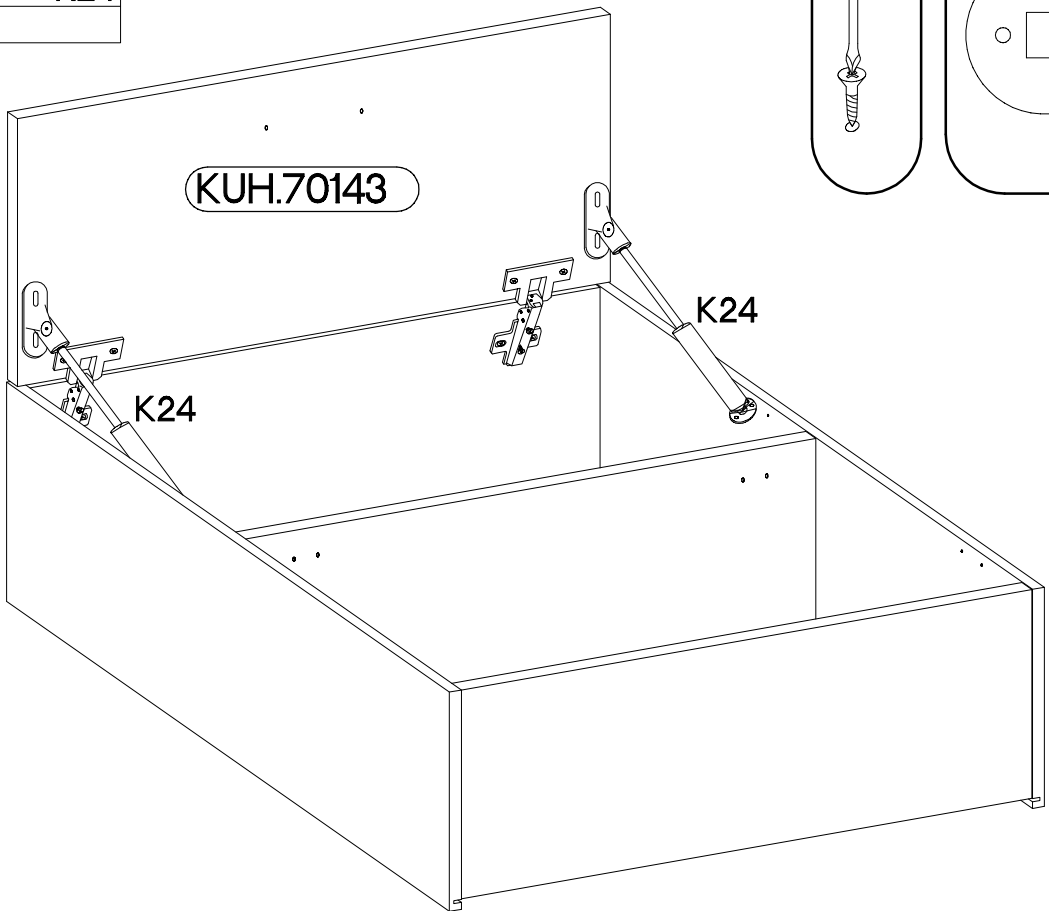
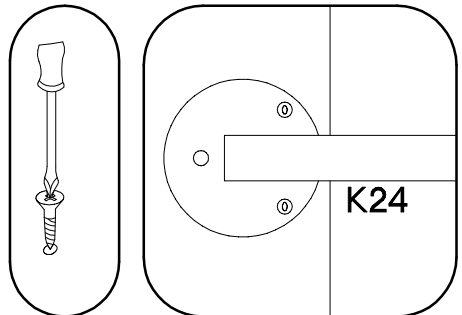
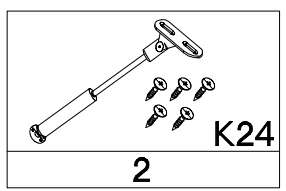
$\varnothing 3.0 \times 20 \text{mm}$ P7 10-15	 L2 5
--	-------------



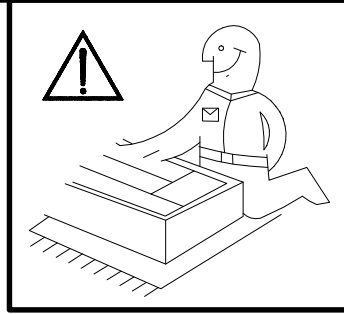
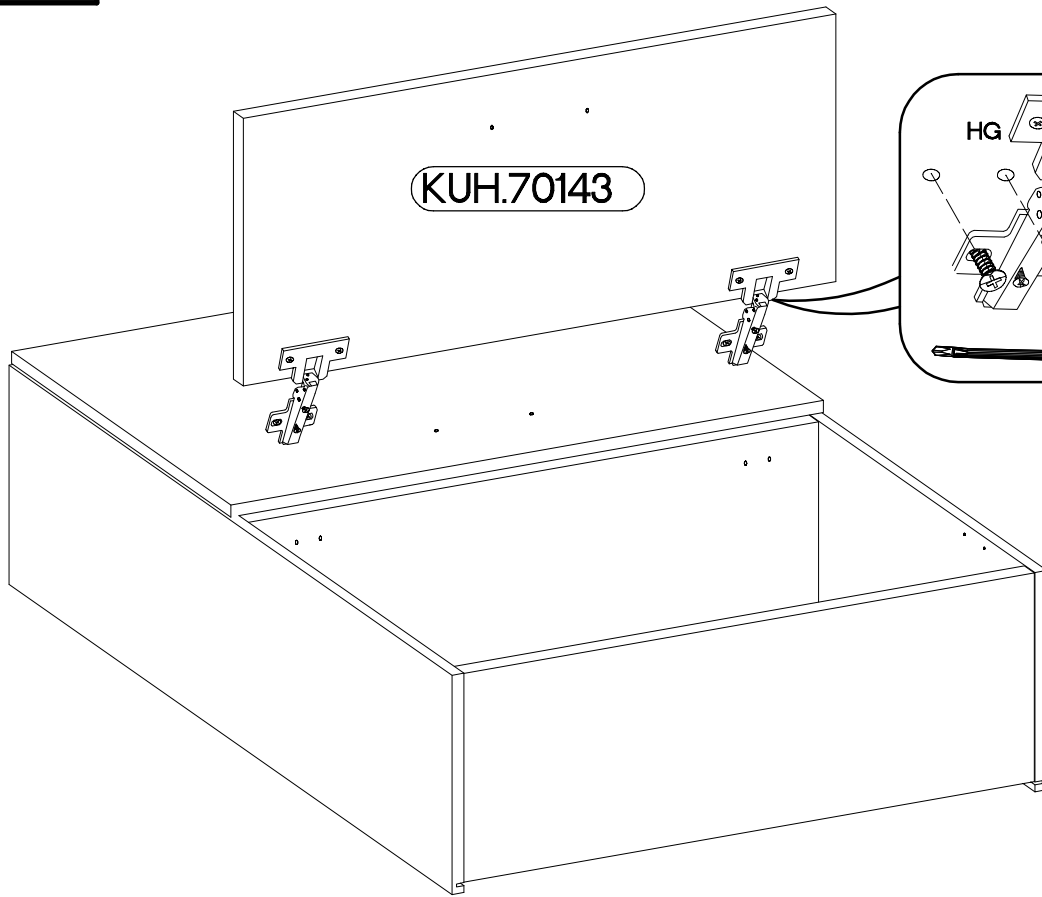
6



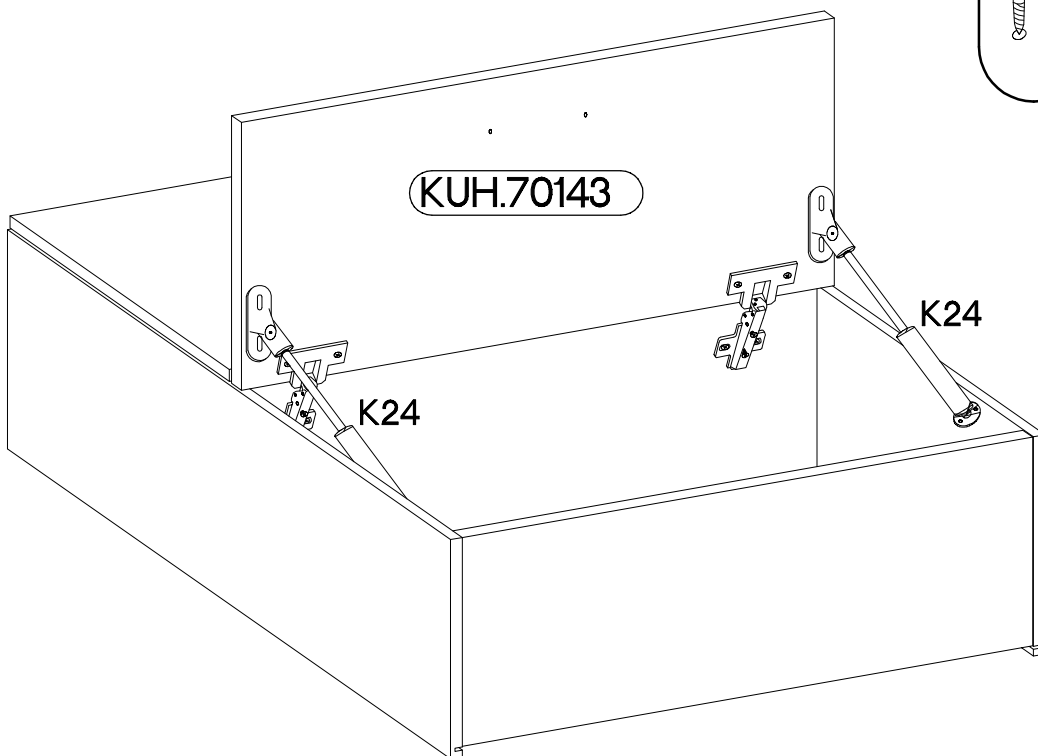
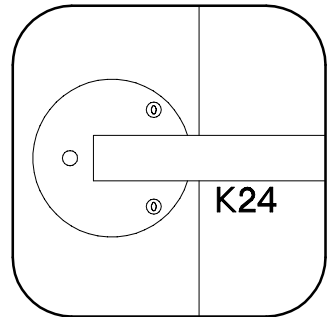
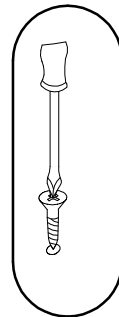
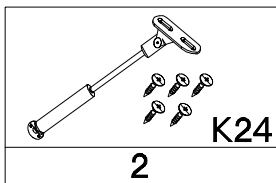
7






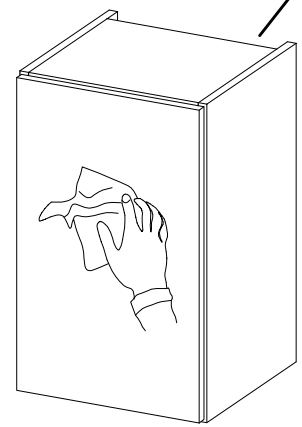
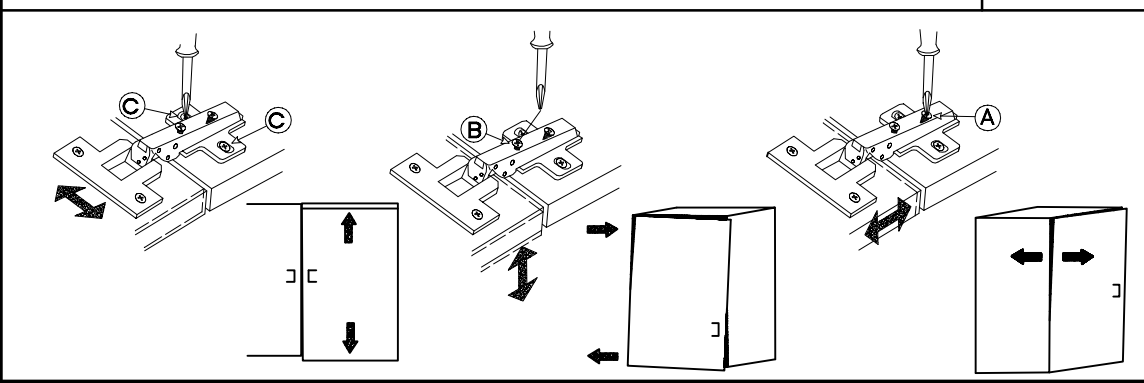
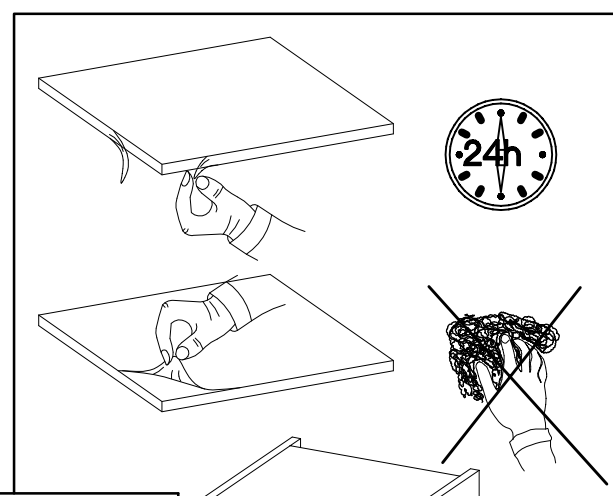
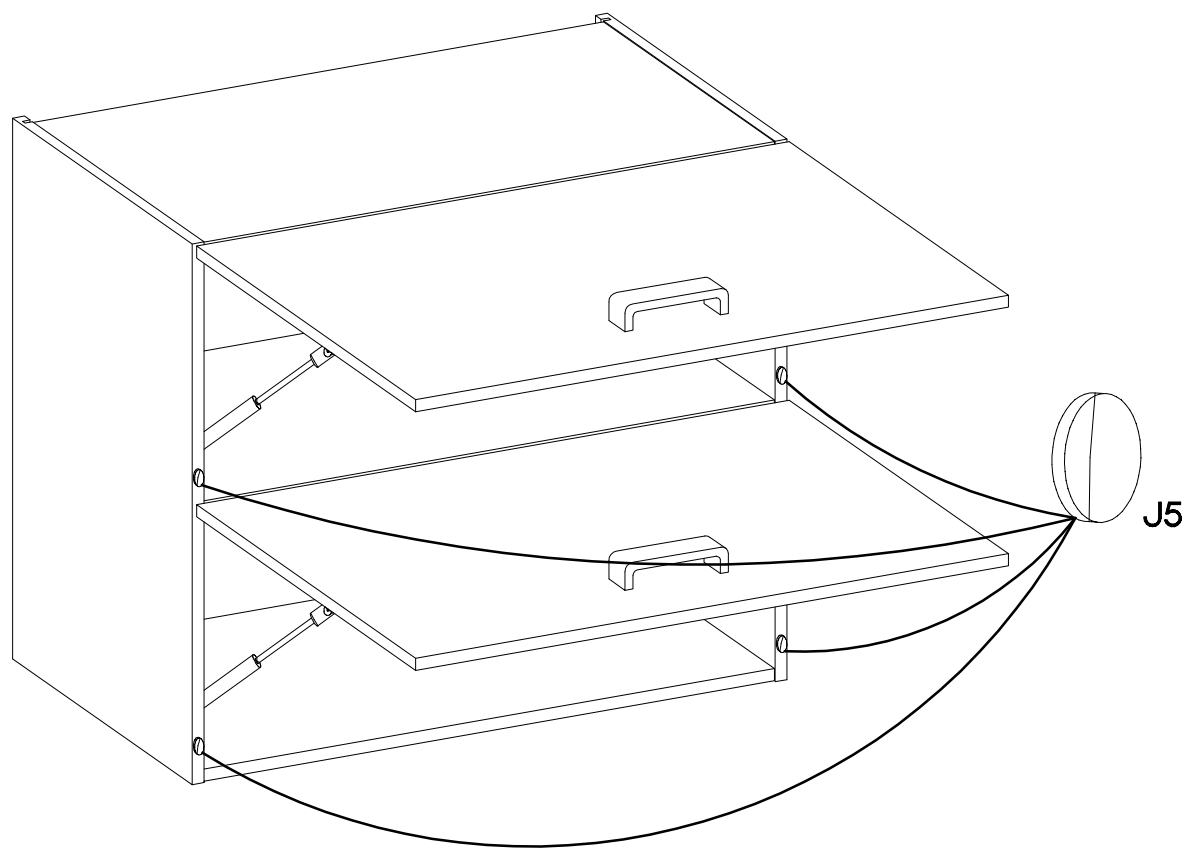
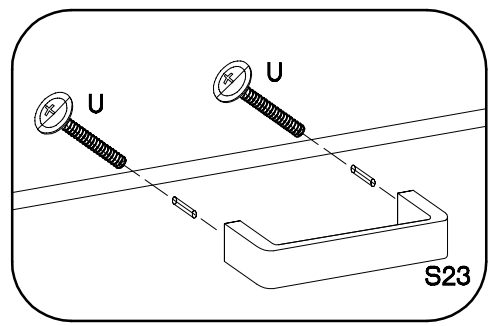
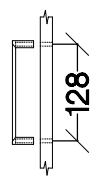
8

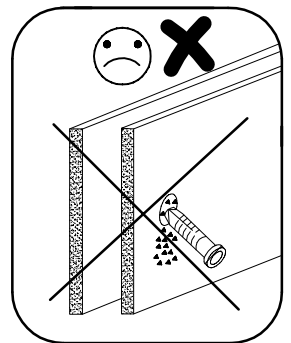
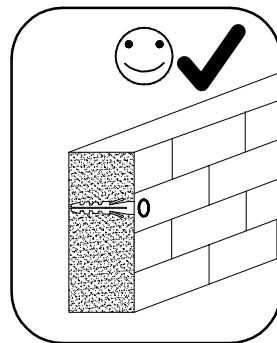
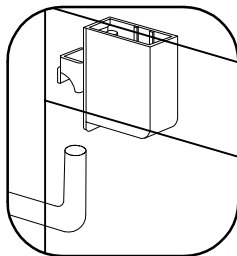
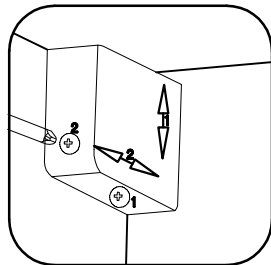
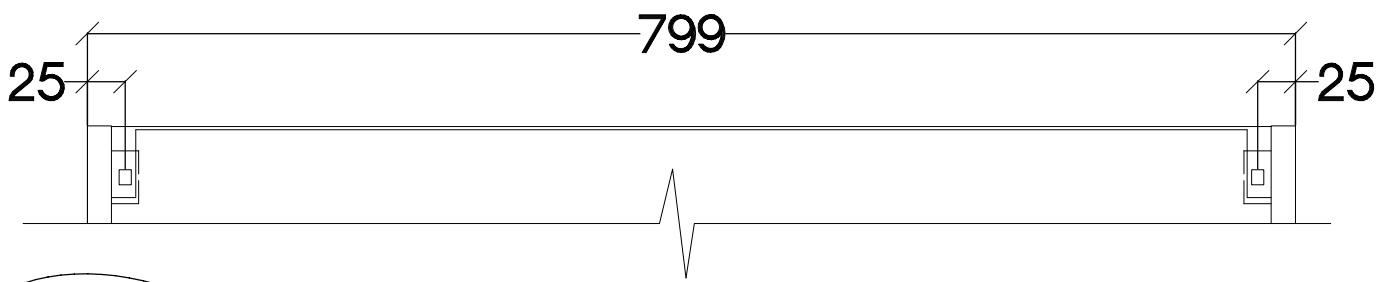
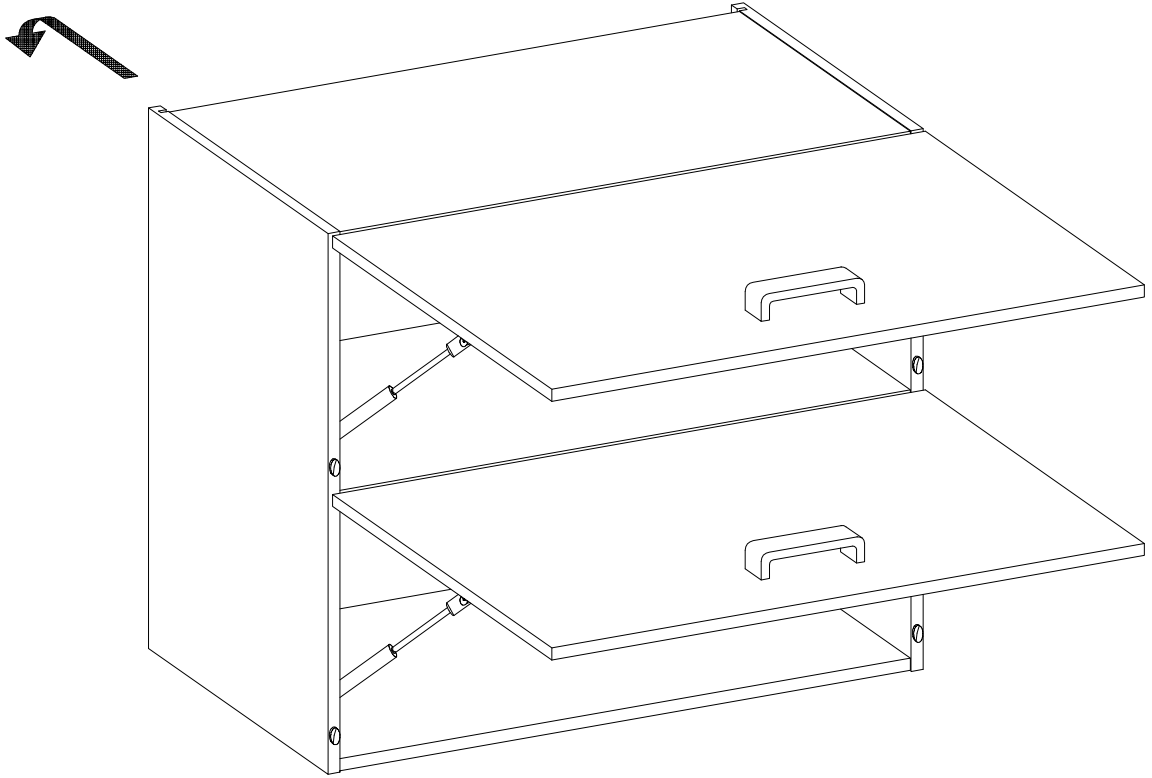
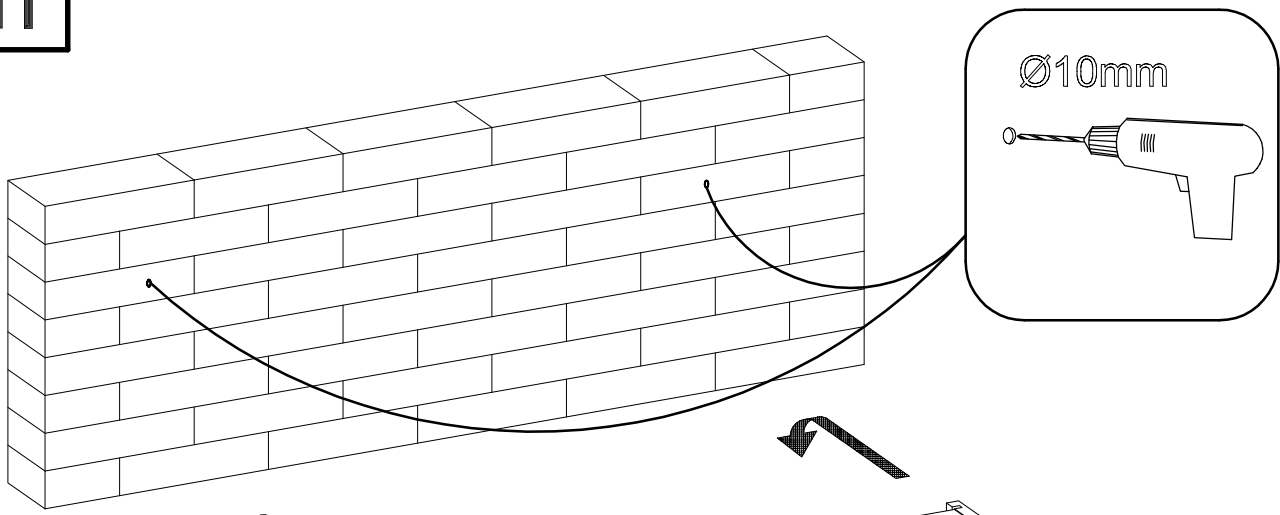


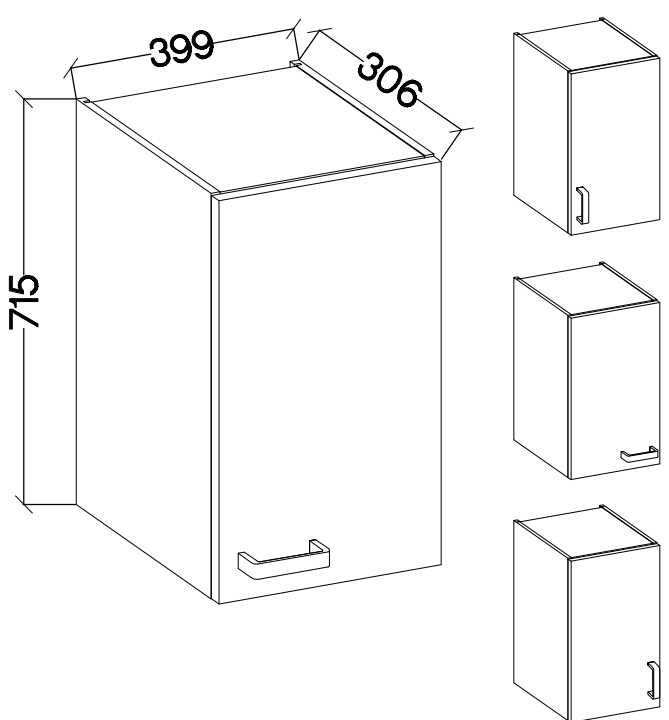
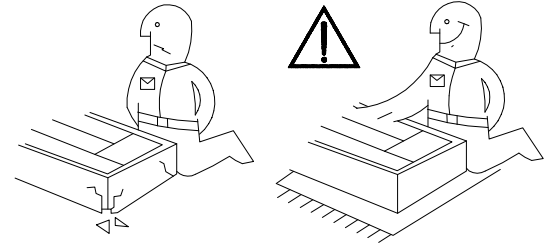
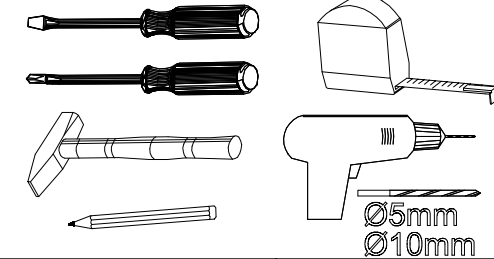
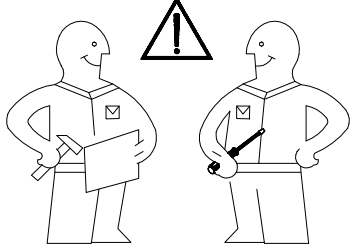
9



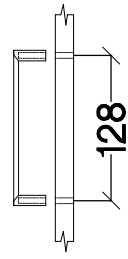
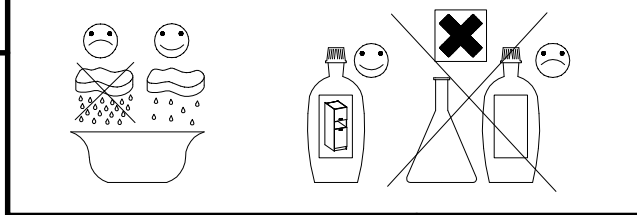
M4x22mm			
	U	S23	J5
	4	2	4





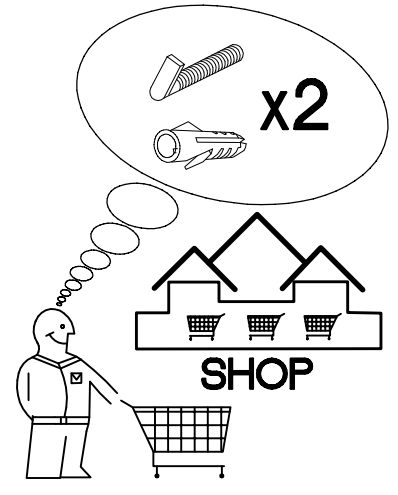
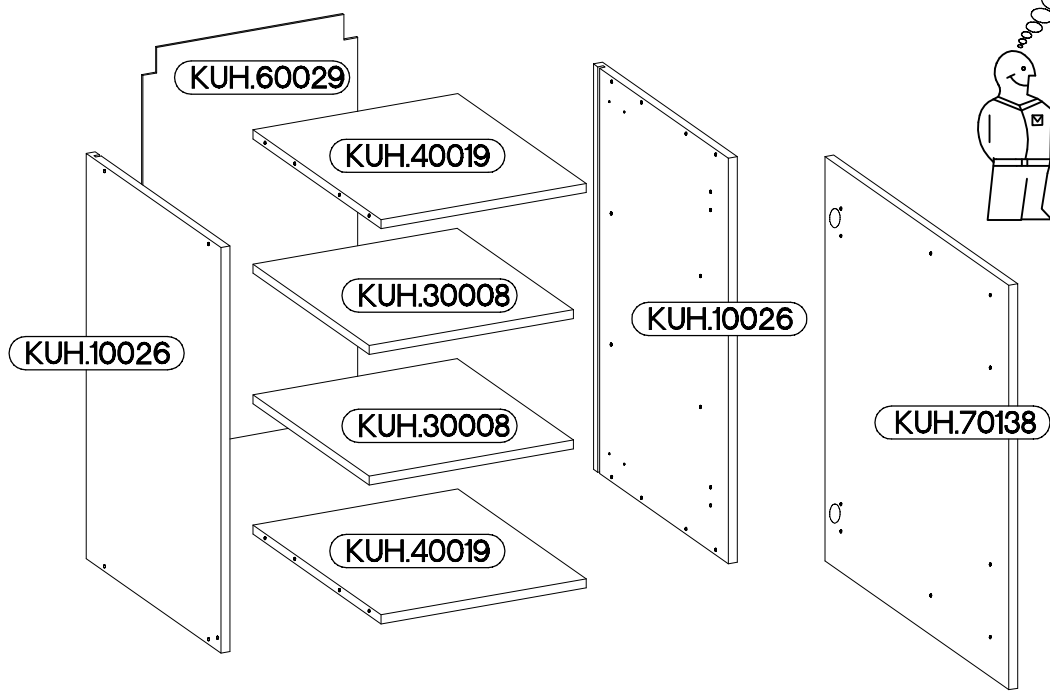
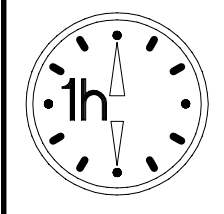


40 G-72 1F

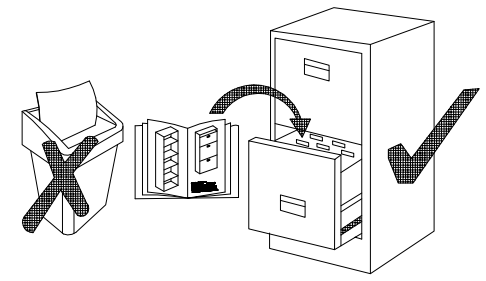


max.
5kg

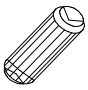
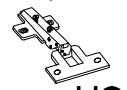

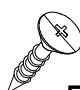
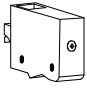
KUH.30008
KUH.40019

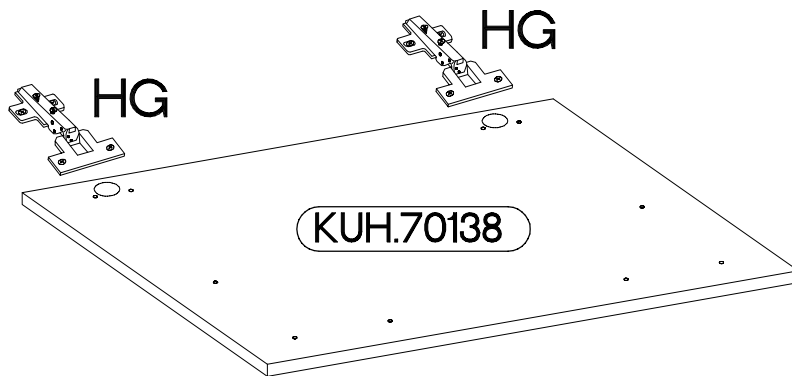
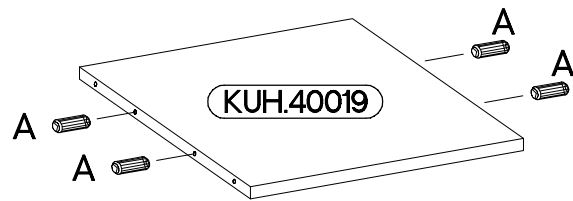
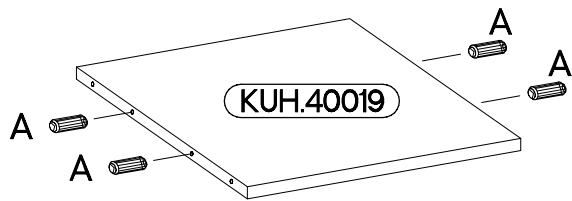
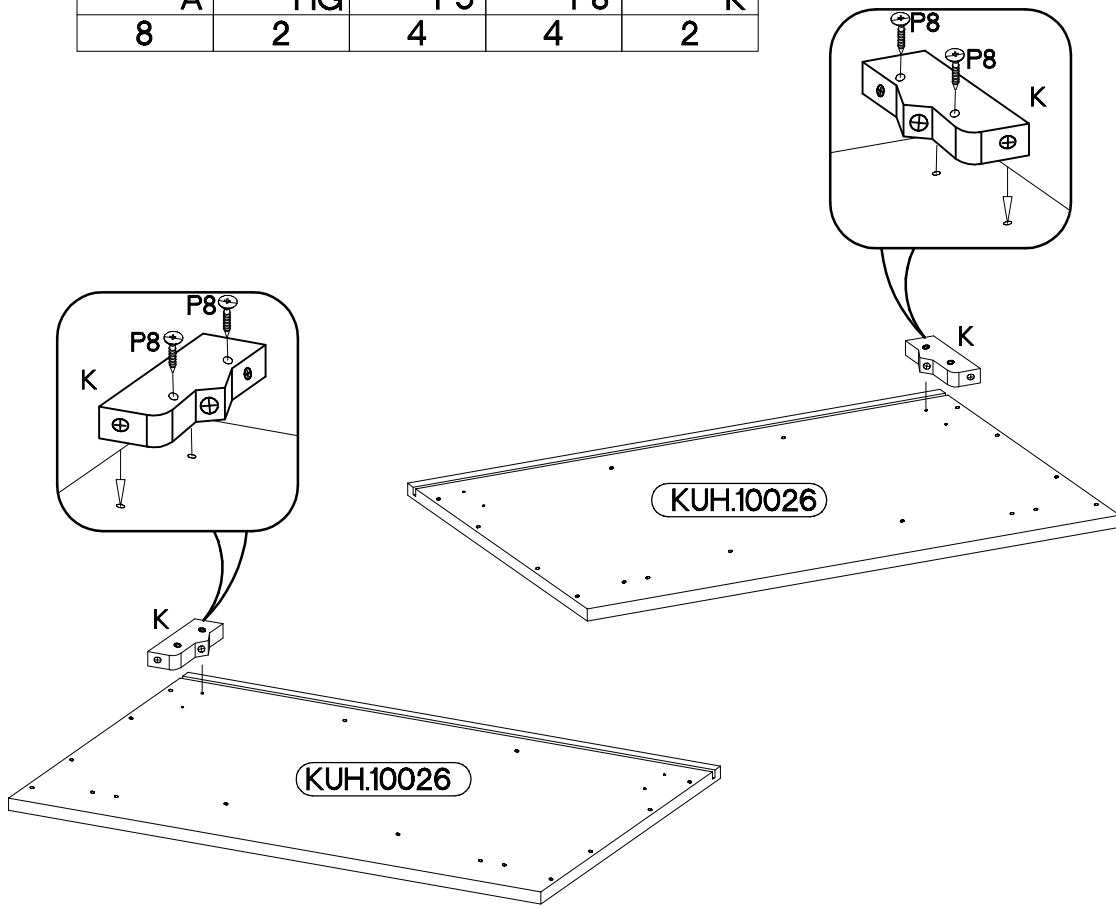
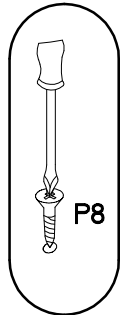
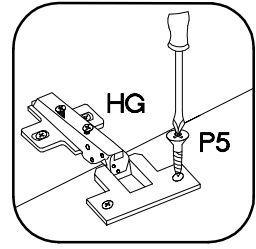
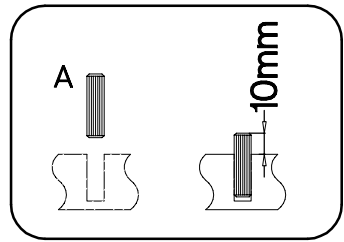
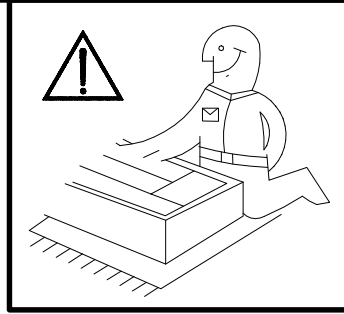


 A 8	 B 8	 E1 8	 HG 2	 J 8	 K 2
 O 1	 P5 4	 P7 8-10	 P8 4	 U 2	 S23 1



ISM-KUH-00925

†8x30mm  A 8	†35/0mm  HG 2	†3.5x13mm  P5 4	†4.0x30mm  P8 4	 K 2
---	--	--	--	--



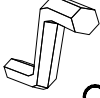
2

6,4 x 50mm



B

4



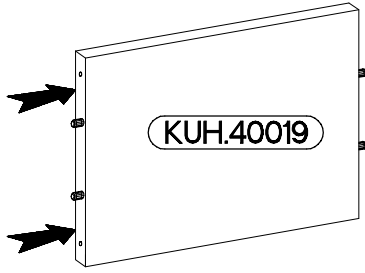
O

1

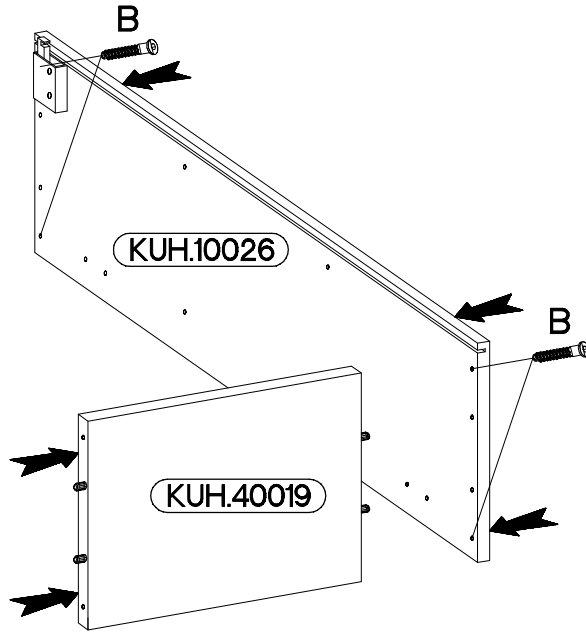


E1

4

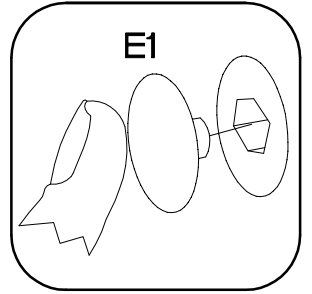
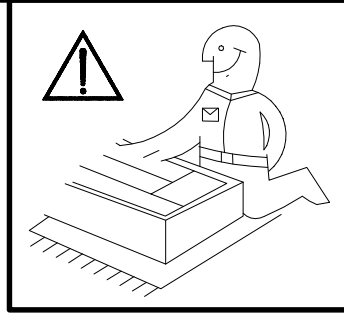


KUH.40019

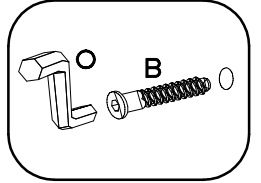


KUH.10026

KUH.40019



E1



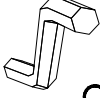
3

6,4 x 50mm



B

4



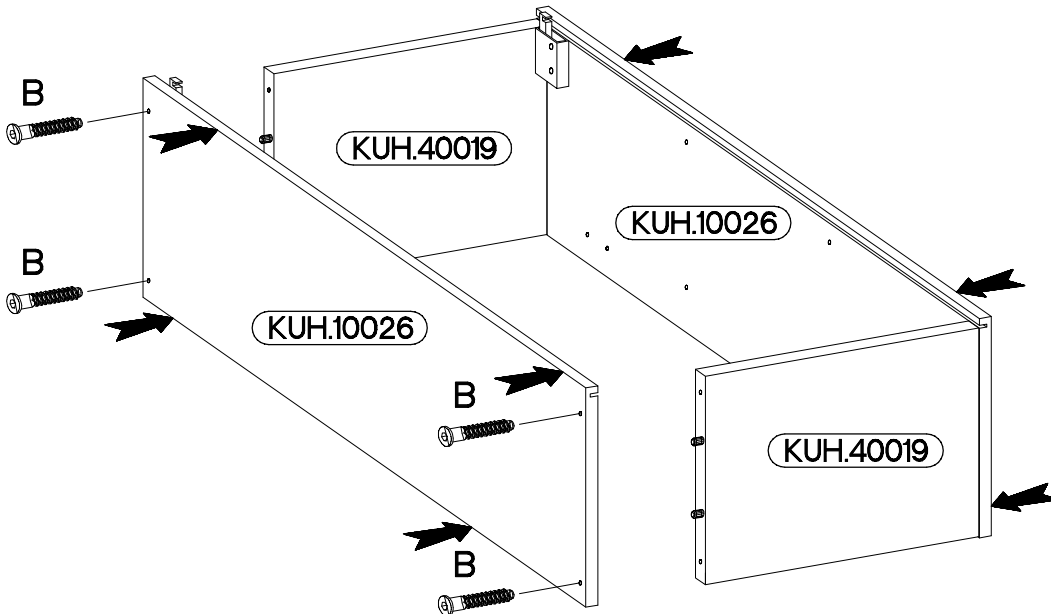
O

1



E1

4

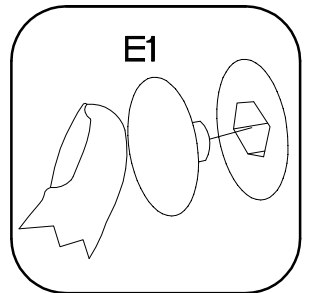


KUH.40019

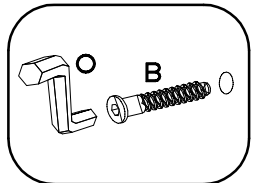
KUH.10026

KUH.10026

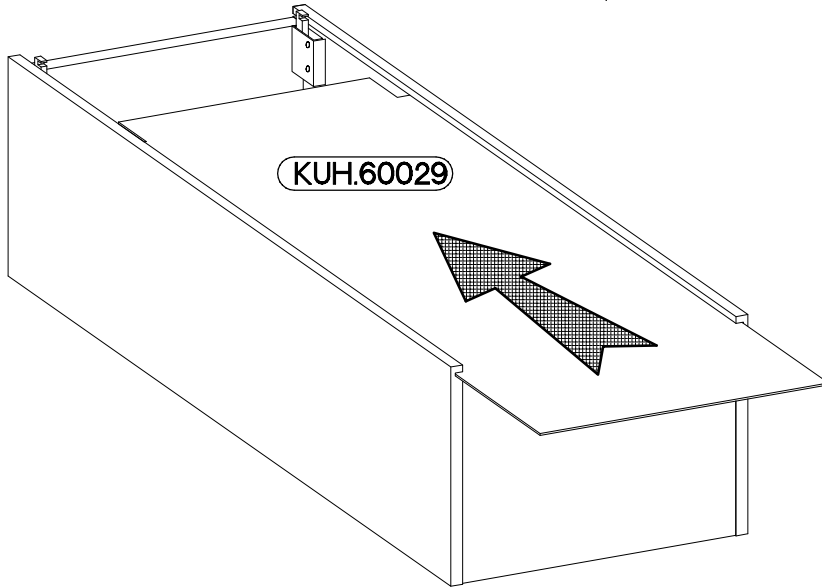
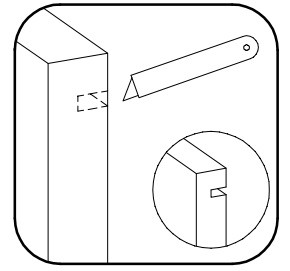
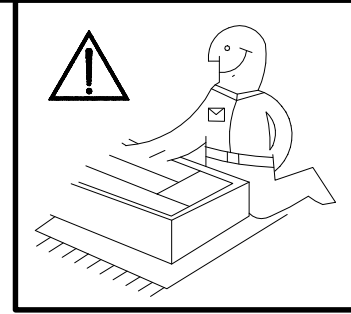
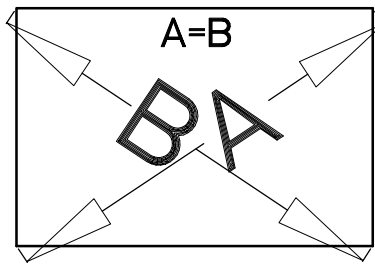
KUH.40019



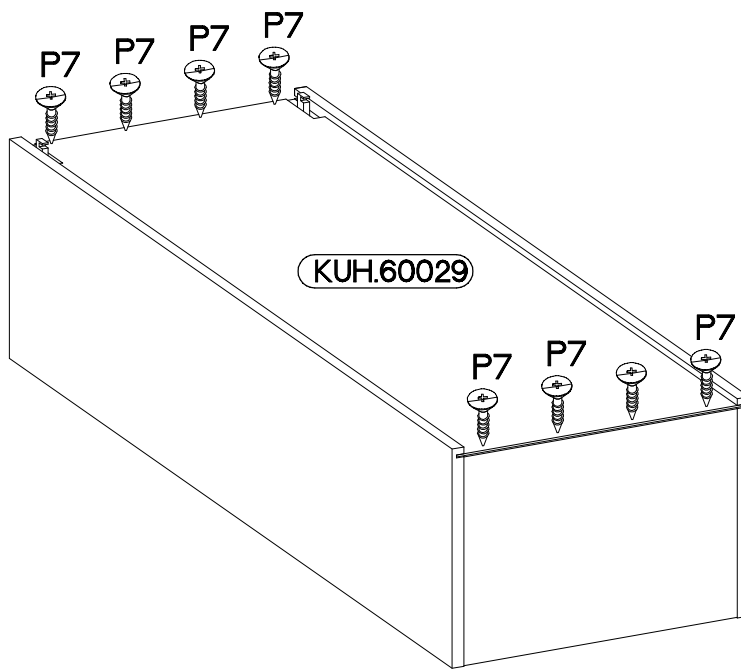
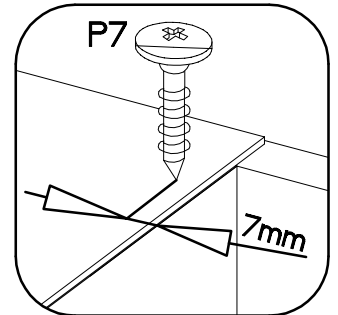
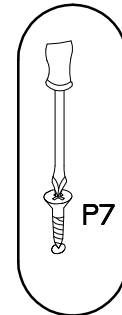
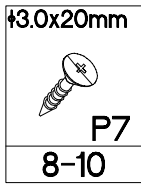
E1



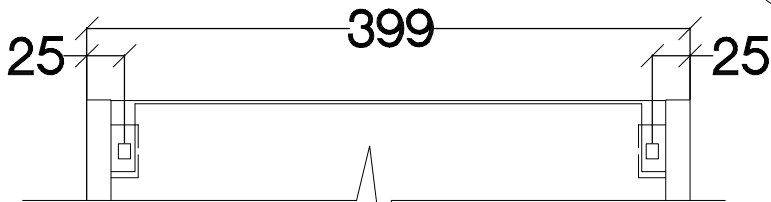
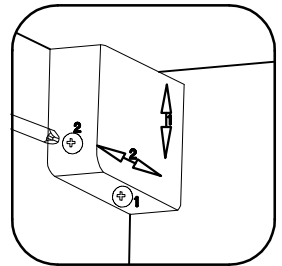
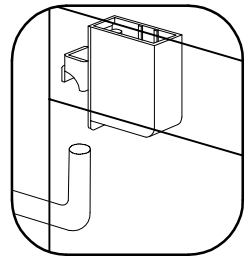
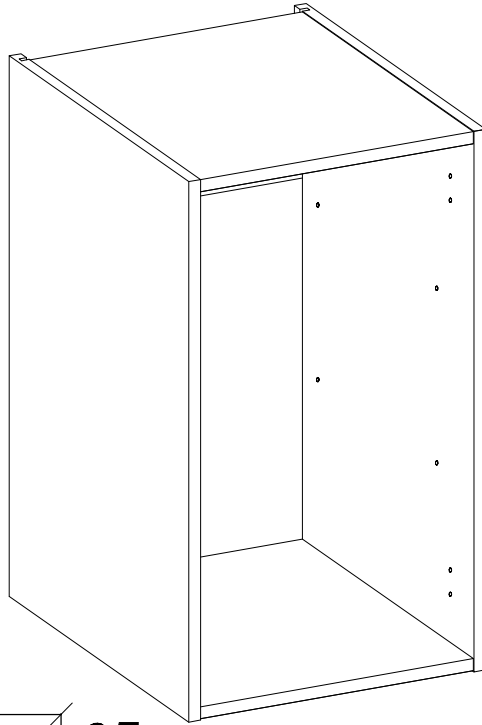
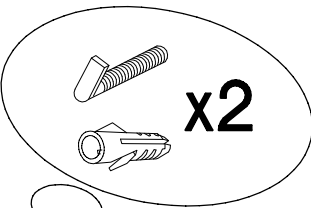
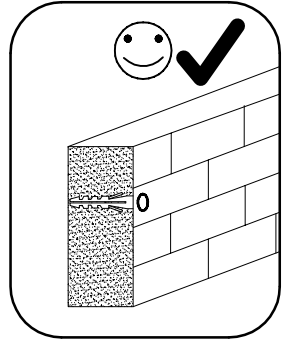
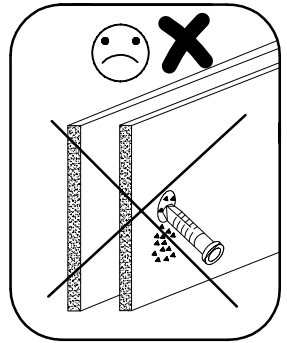
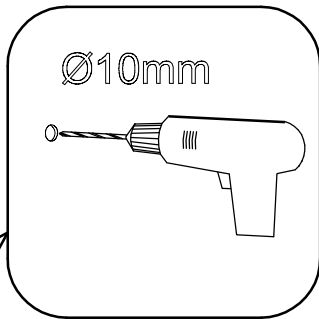
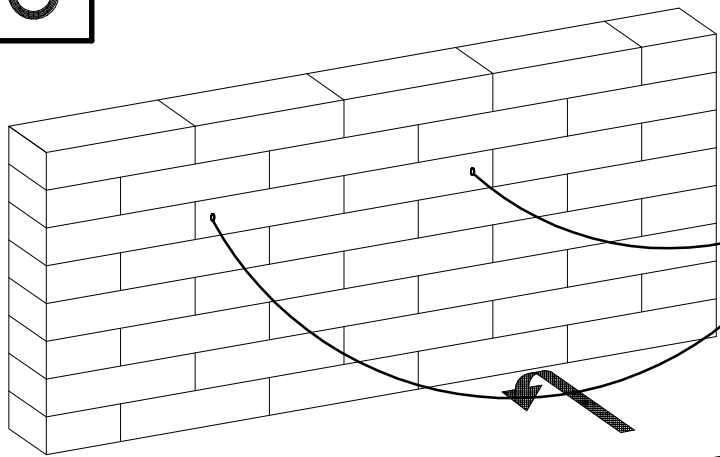
4



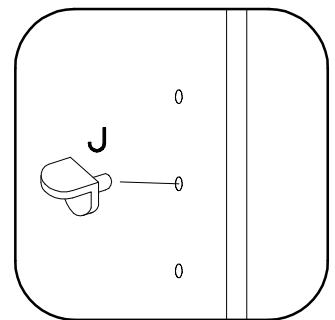
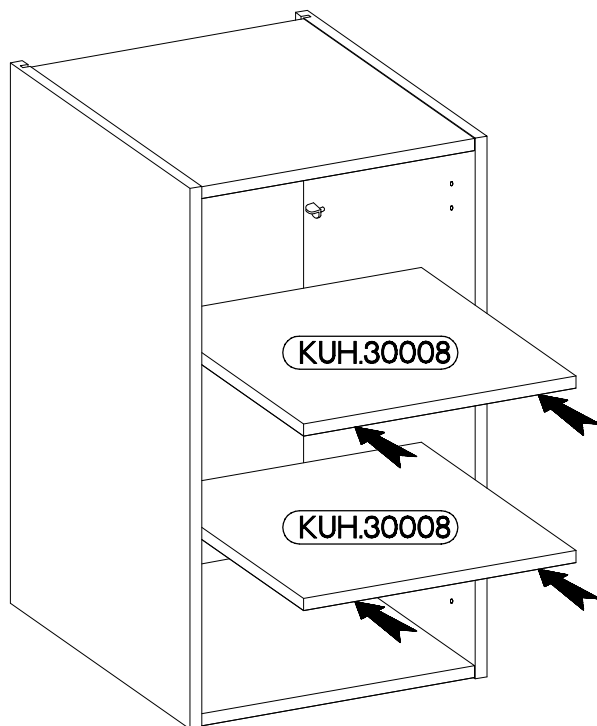
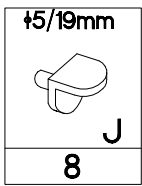
5

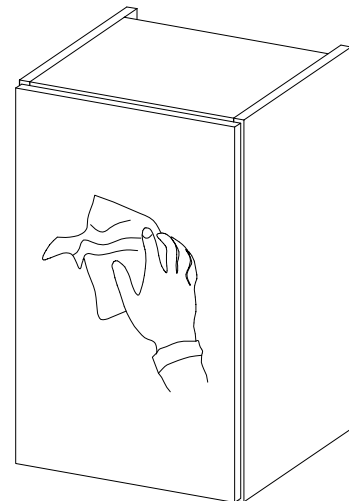
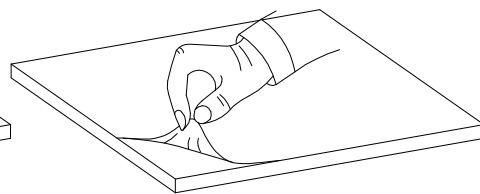
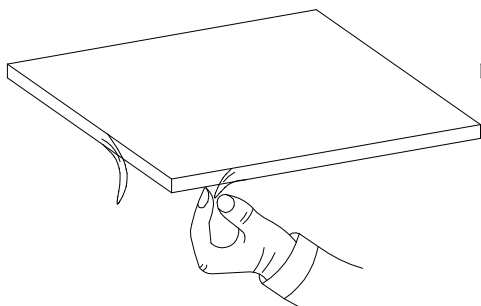
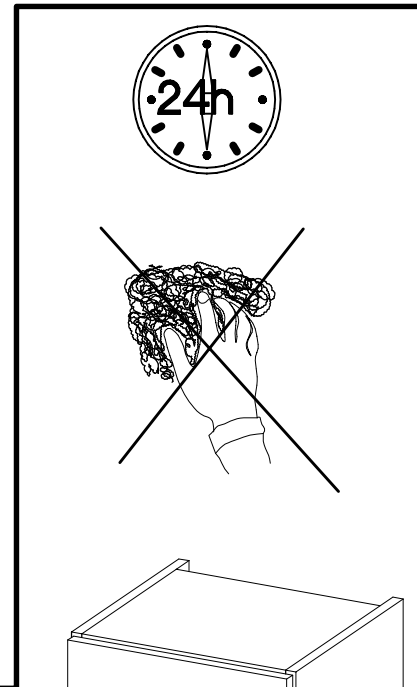
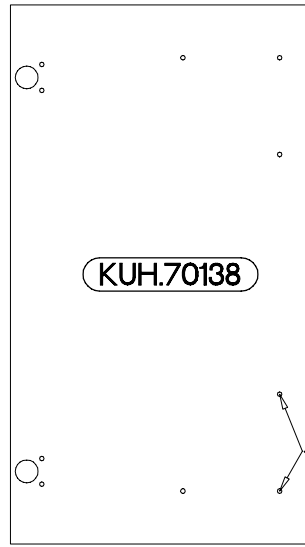
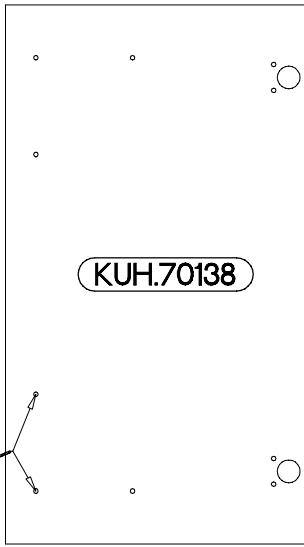
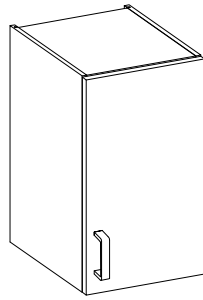
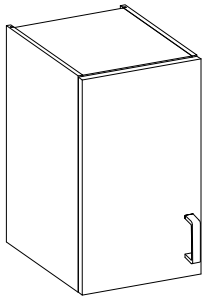
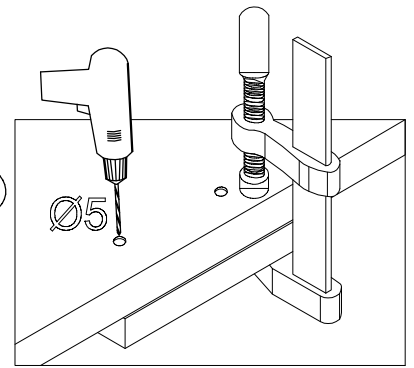
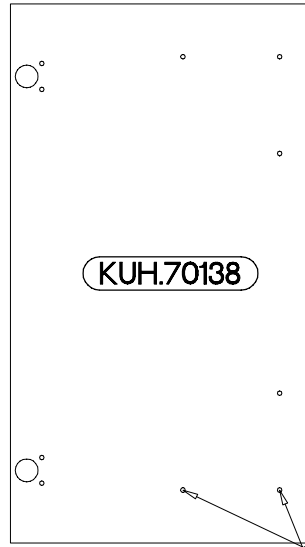
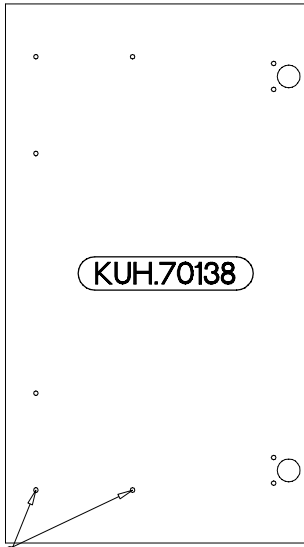
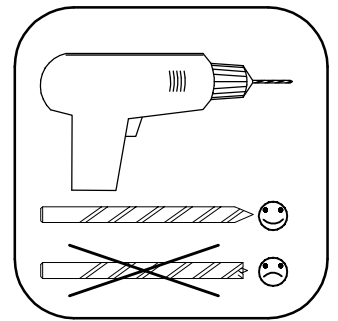
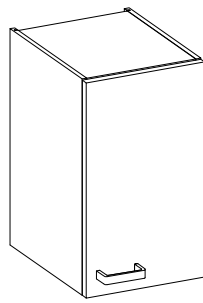
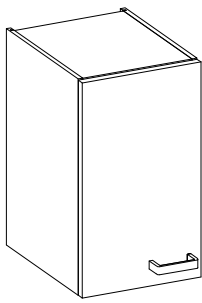



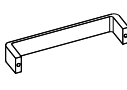
6

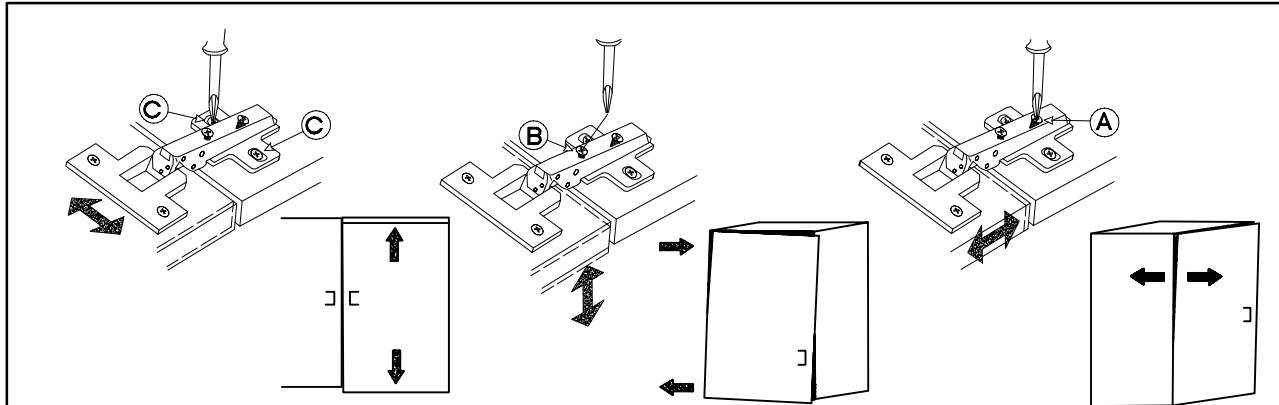
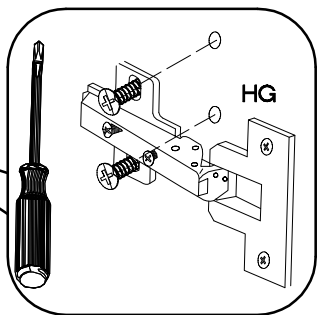
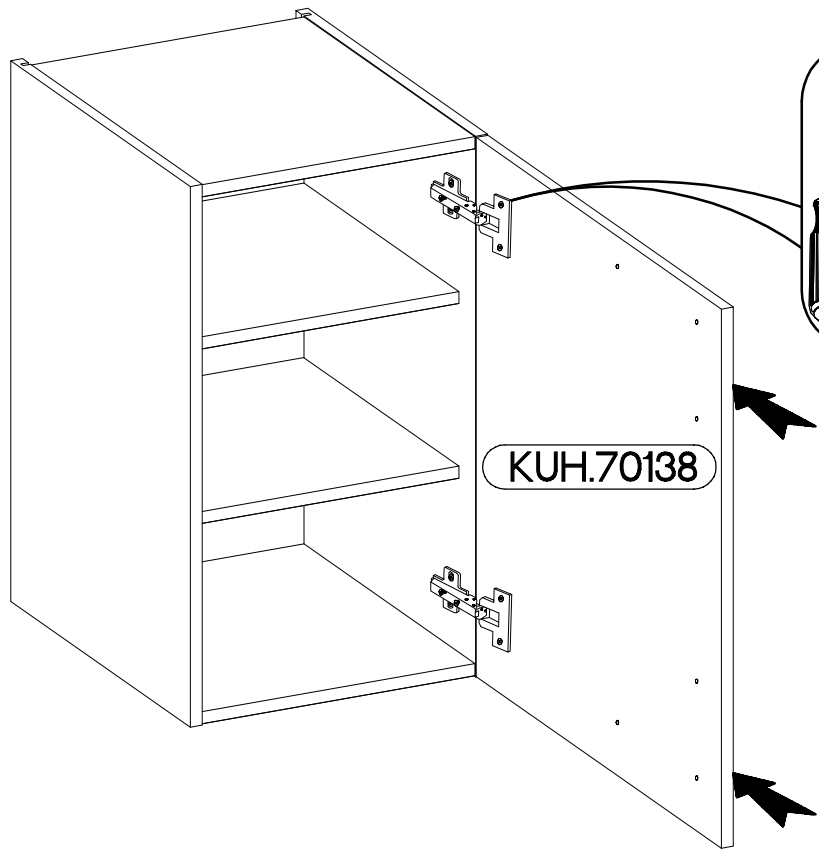
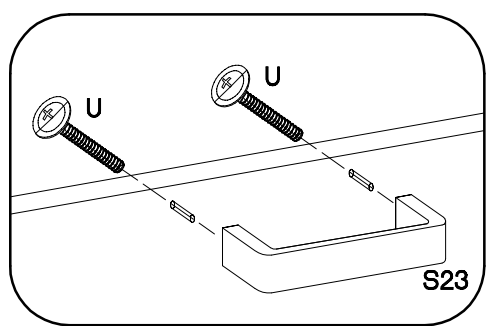
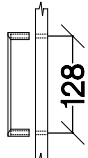


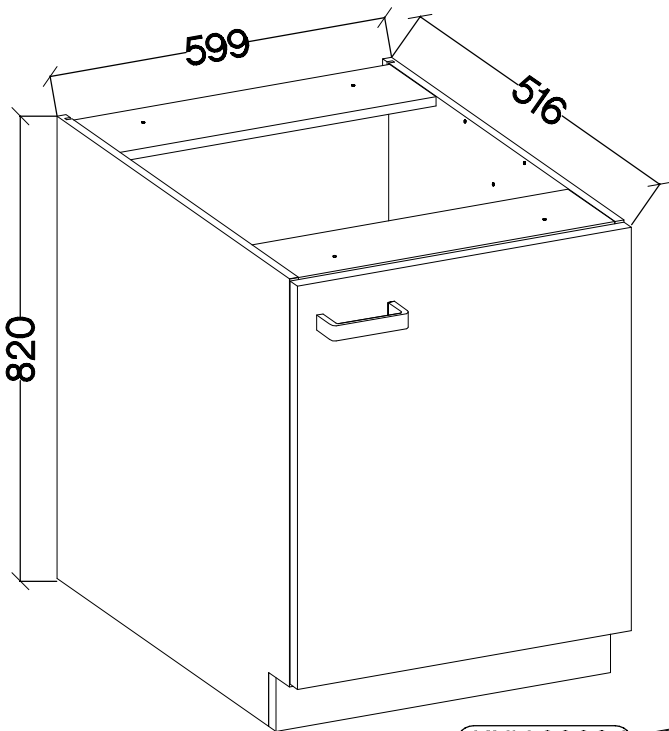
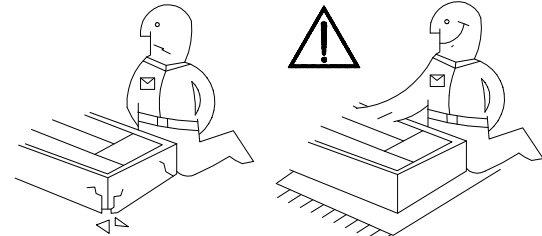
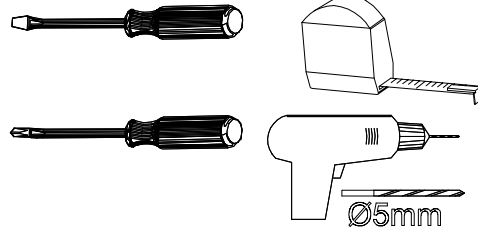
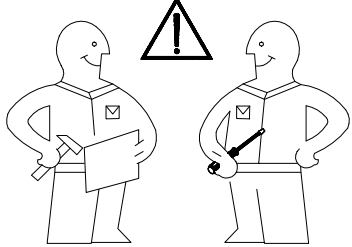
7



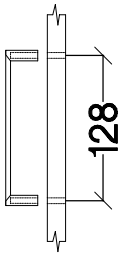
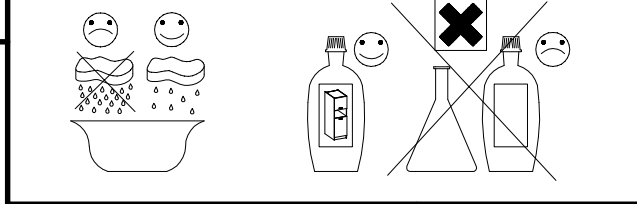
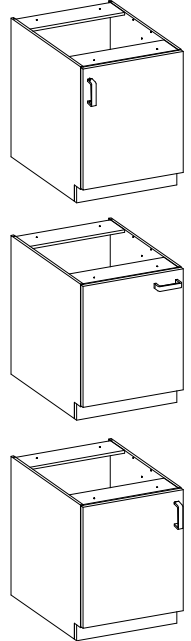


M4x22mm		
2	U	S23
2		1



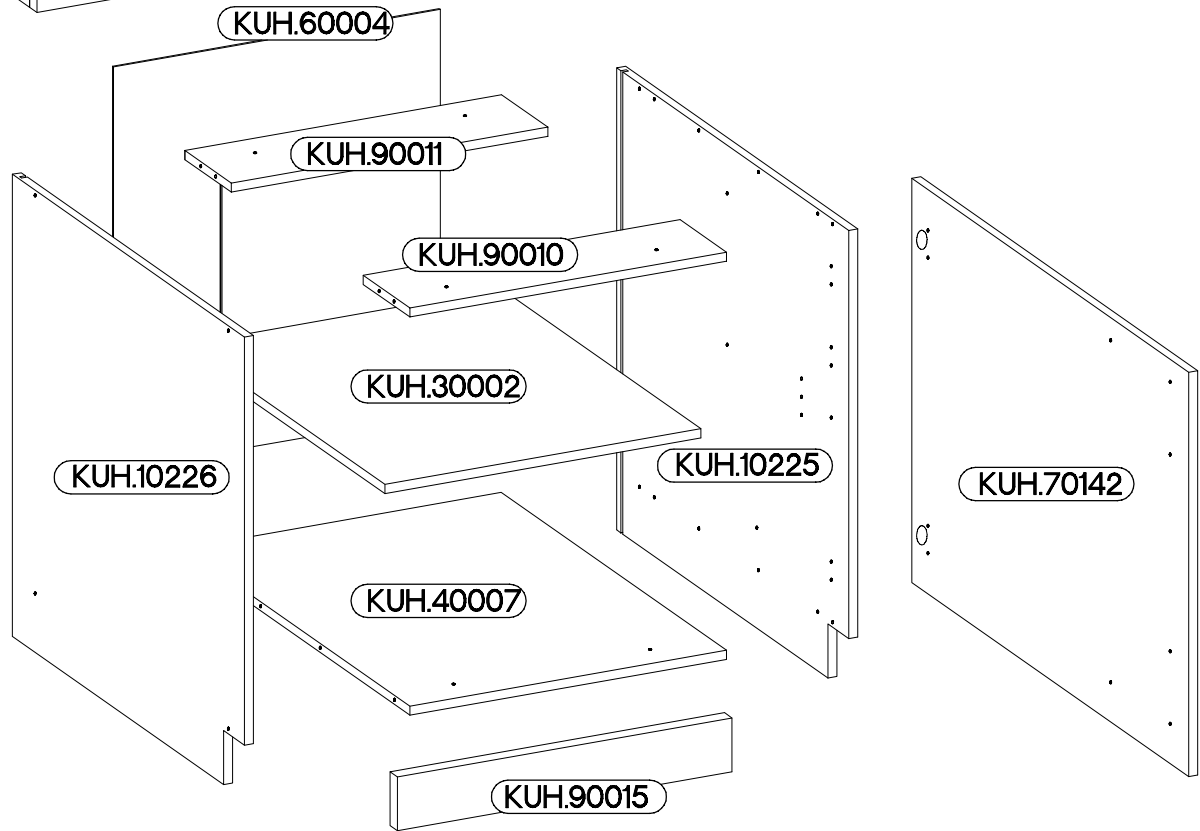
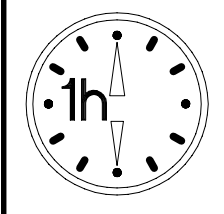


60 D 1F BB

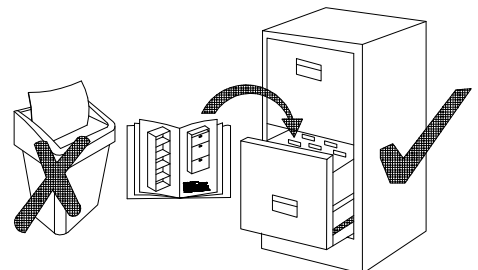


max.
10kg

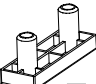
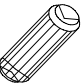
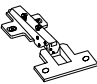

KUH.30002
KUH.40007

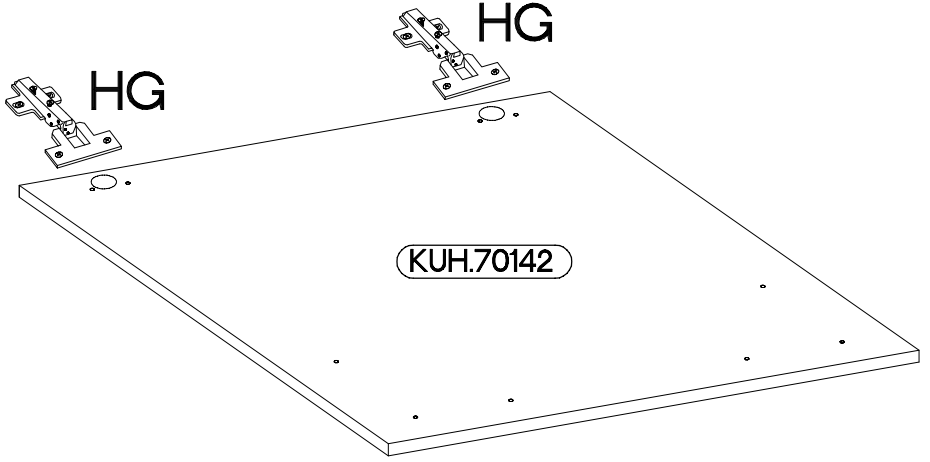
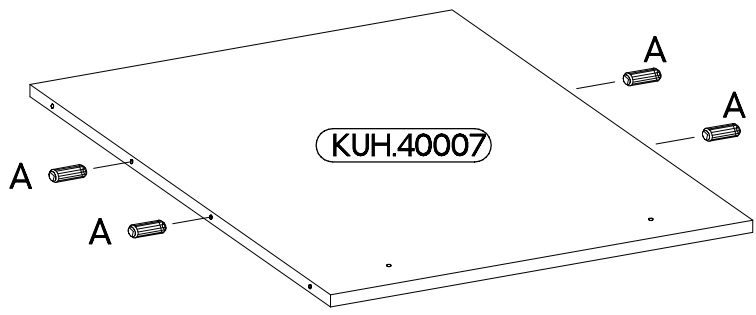
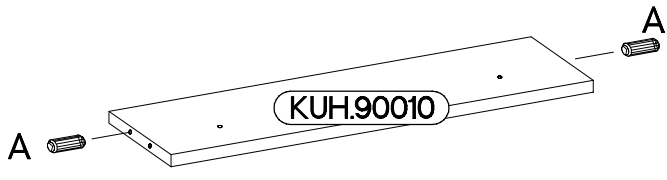
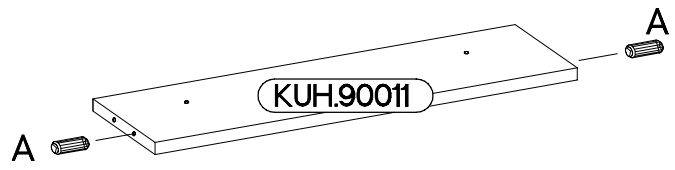
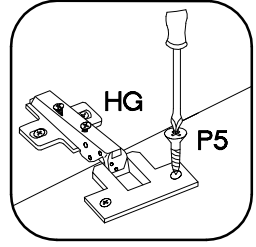
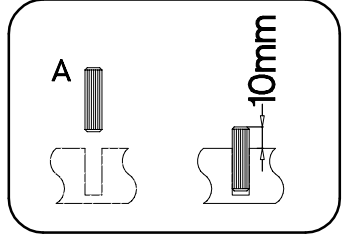
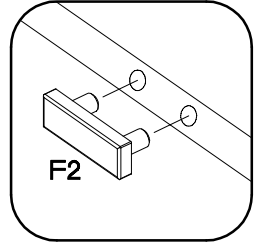
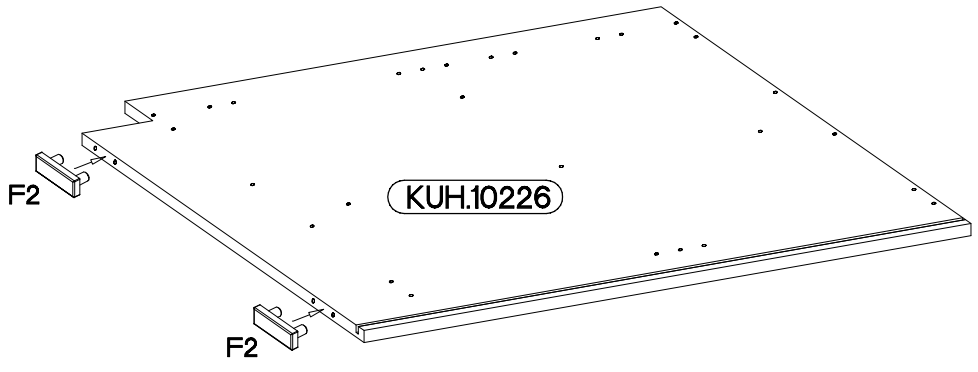
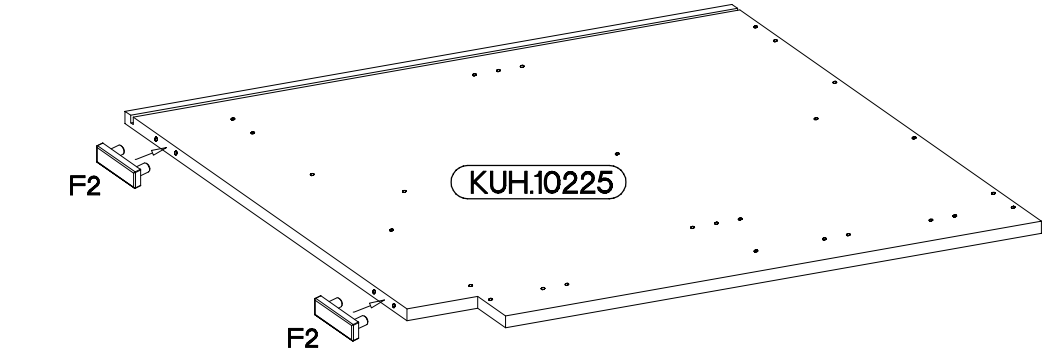
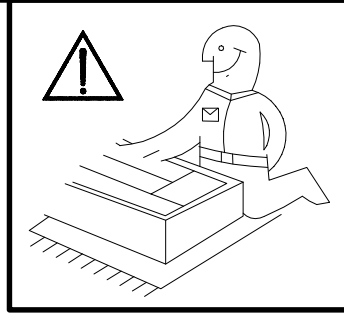


A	B	E1	E9	F2	HG	J
8	8	8	2	4	2	4
O	P4	P5	P7	R3	S23	U
1	2	4	8-10	4	1	2



ISM-KUH-00928

6.5x48x16	±8x30mm	±35/0mm	±3.5x13mm
			
F2	A	HG	P5
4	8	2	4



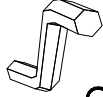
2

6,4 x 50mm



B

4



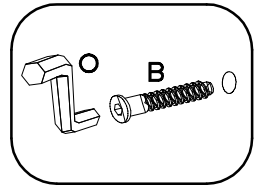
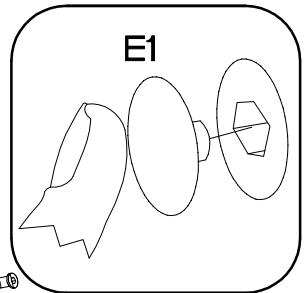
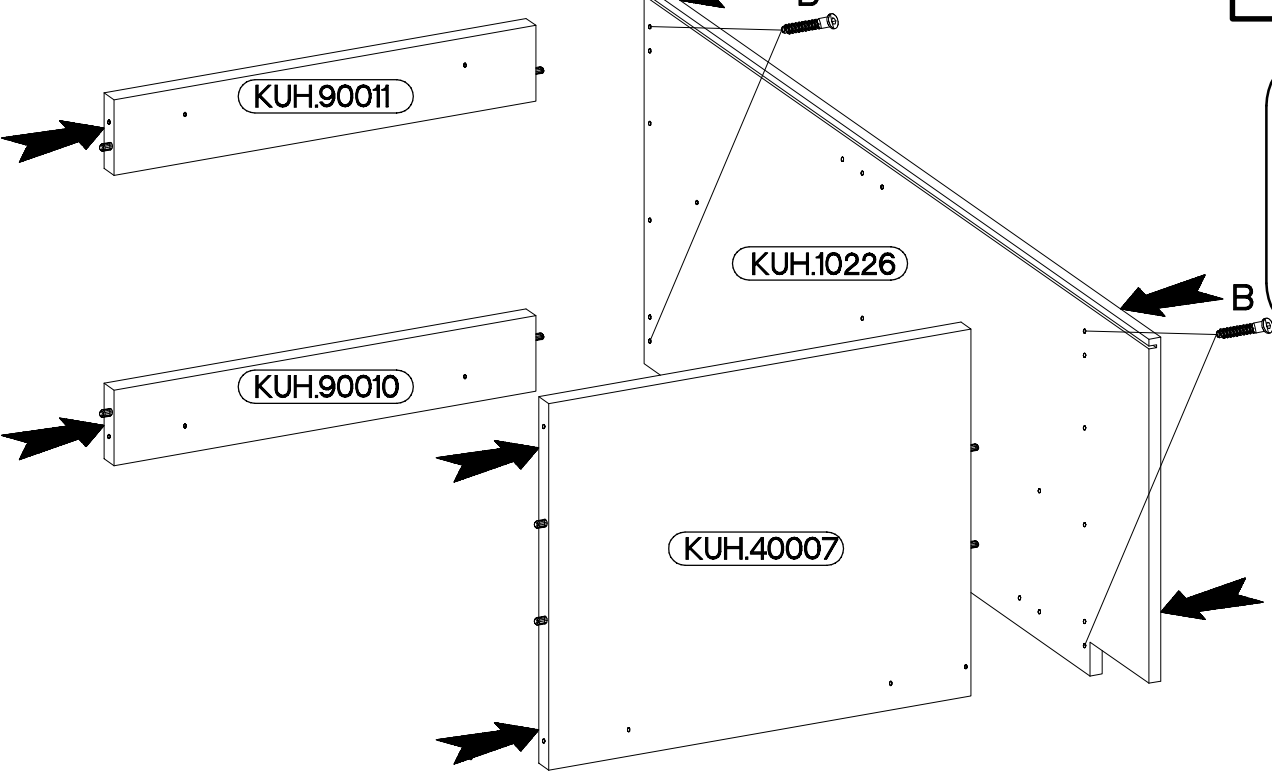
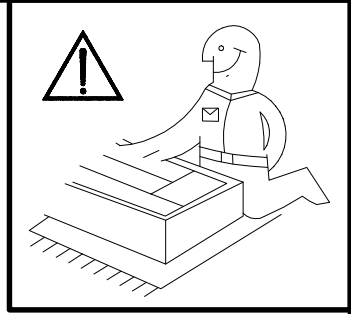
O

1



E1

4



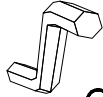
3

6,4 x 50mm



B

4



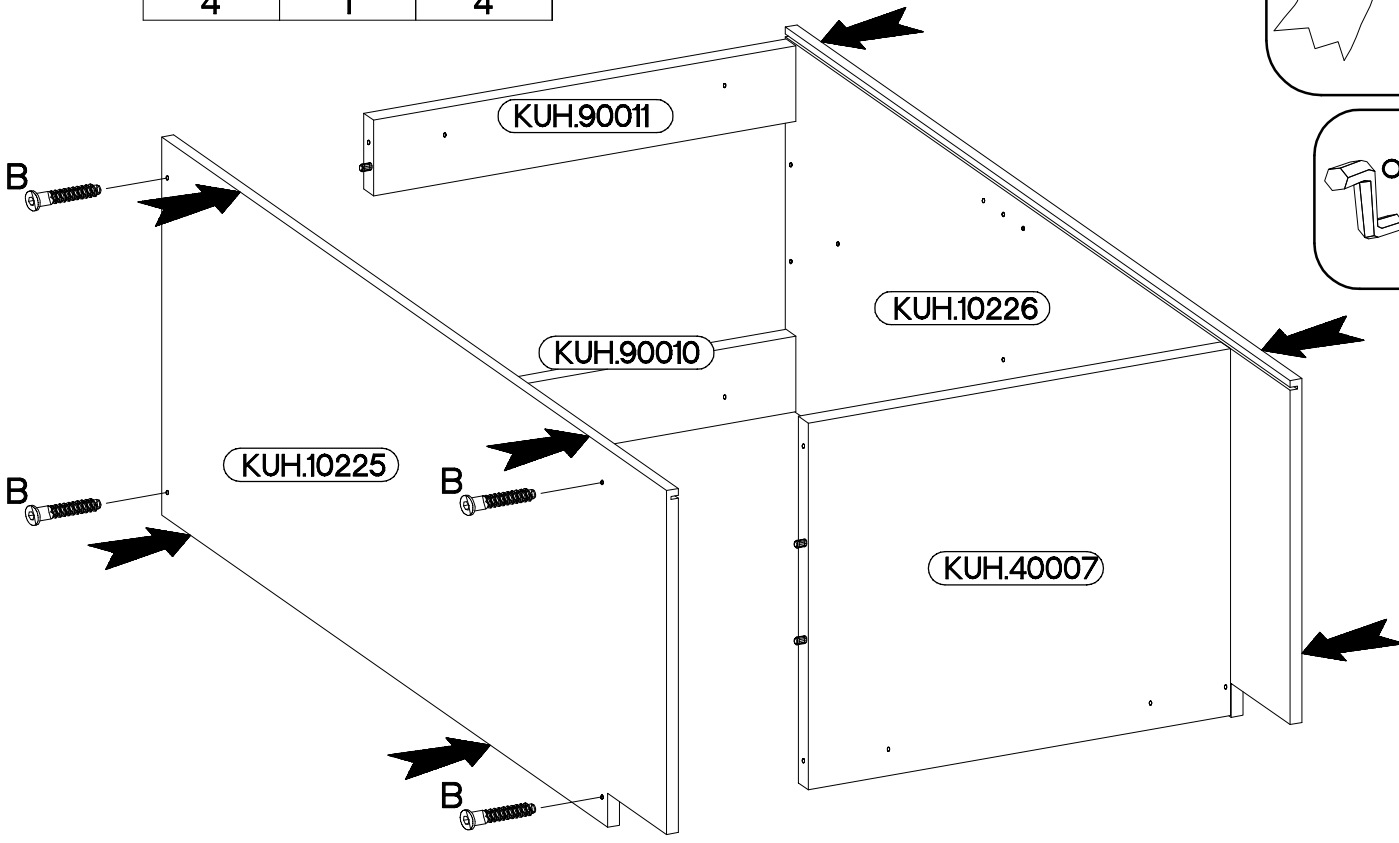
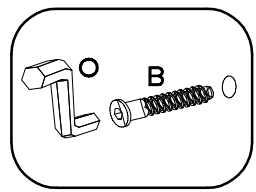
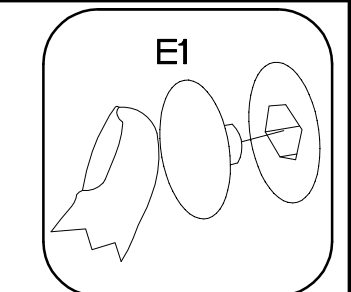
O

1

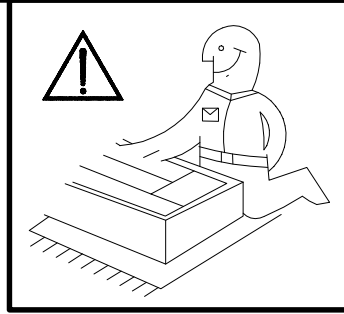
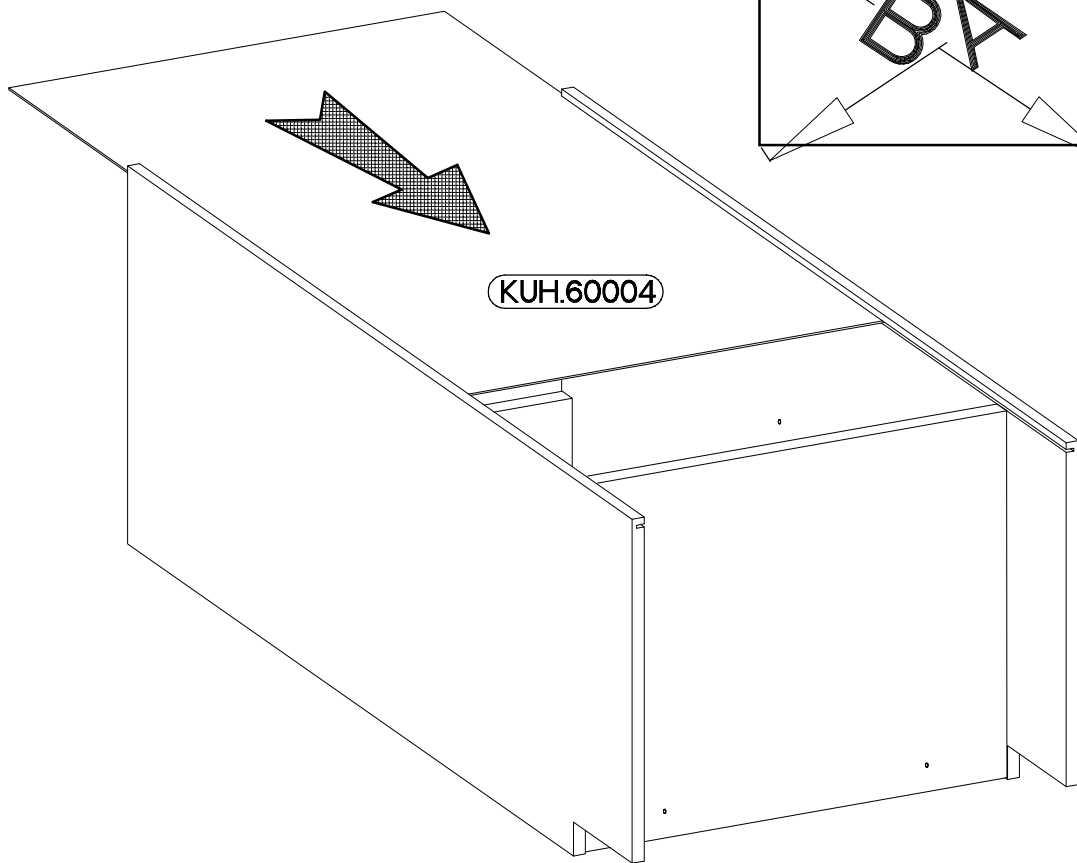


E1


4

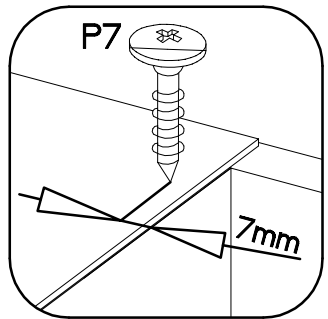
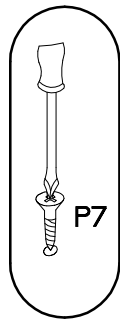
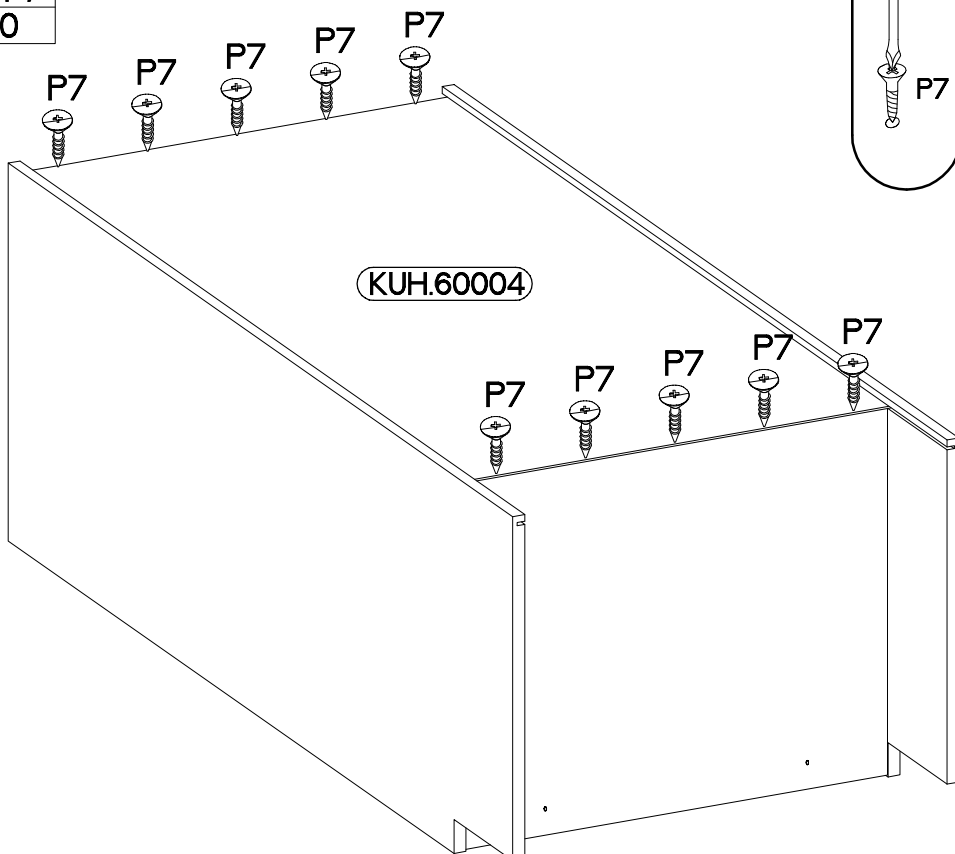


4



5

$\varnothing 3.0 \times 20 \text{mm}$

 P7
 8-10



6

±4.0x45mm



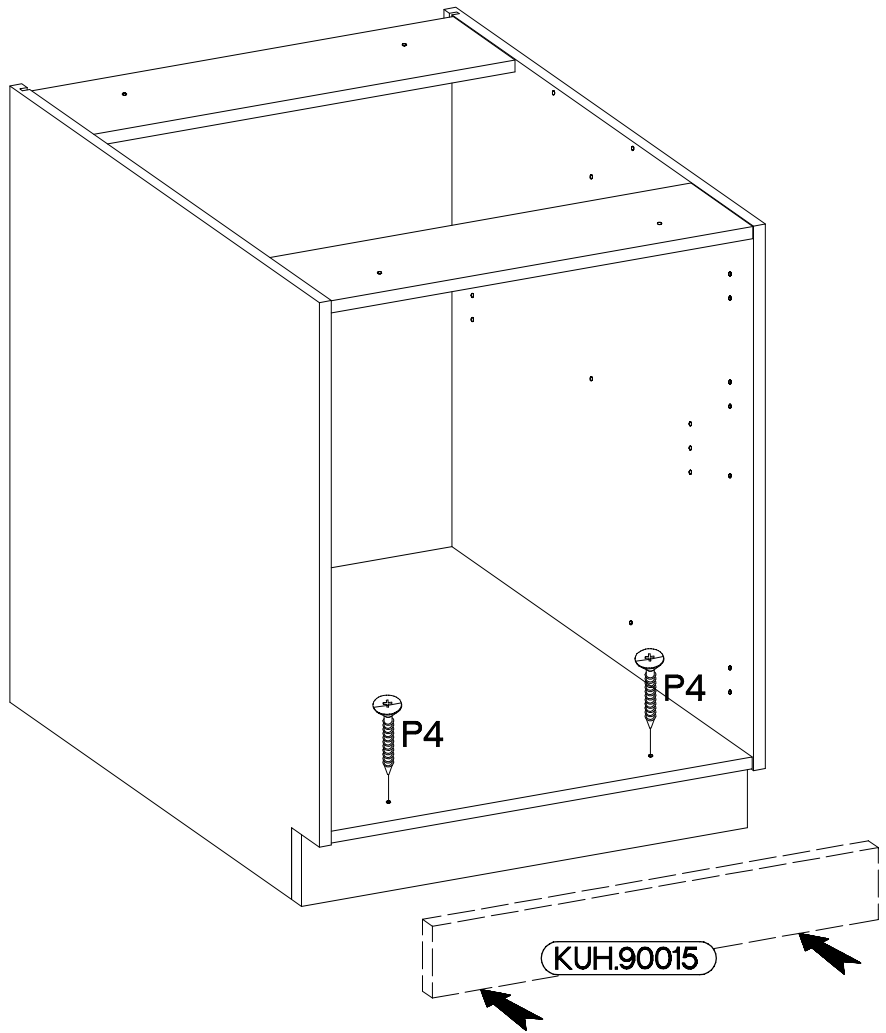
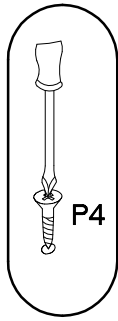
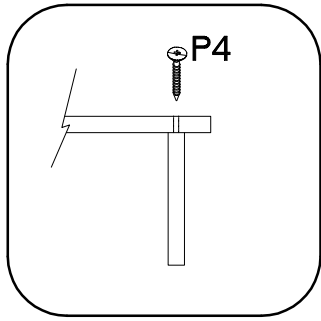
P4

2



E9

2



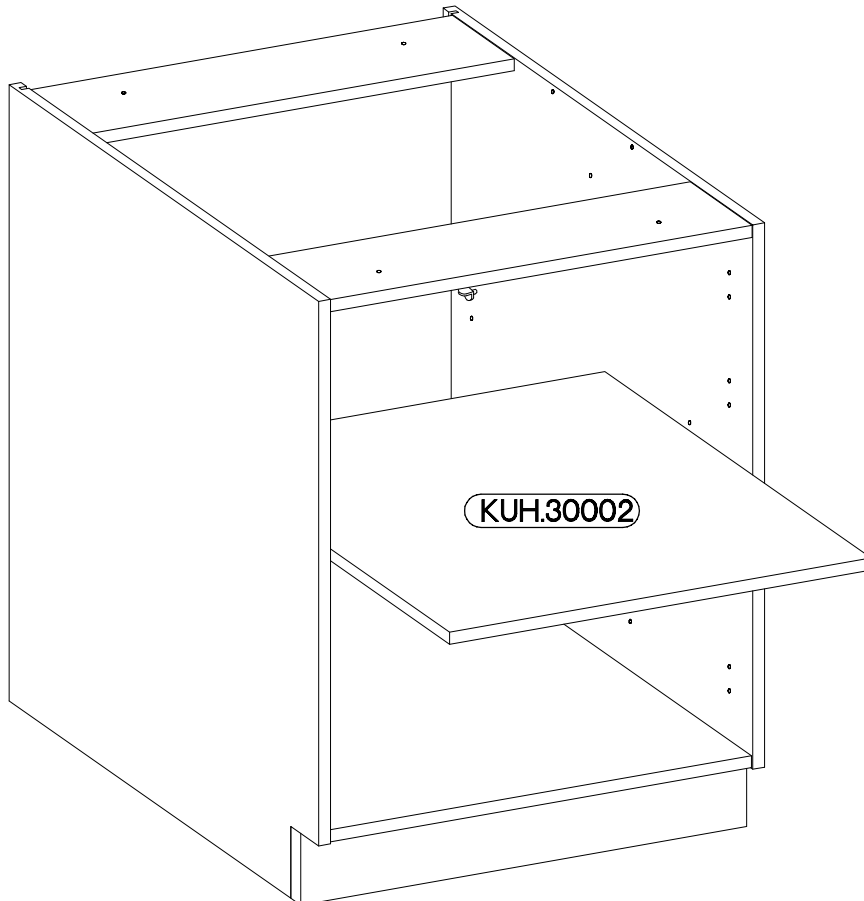
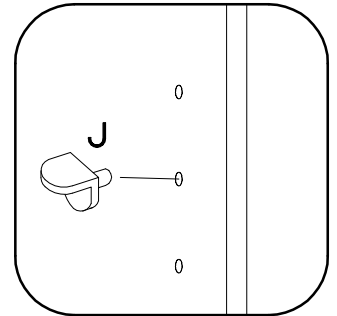
7

±5/19mm



J

4



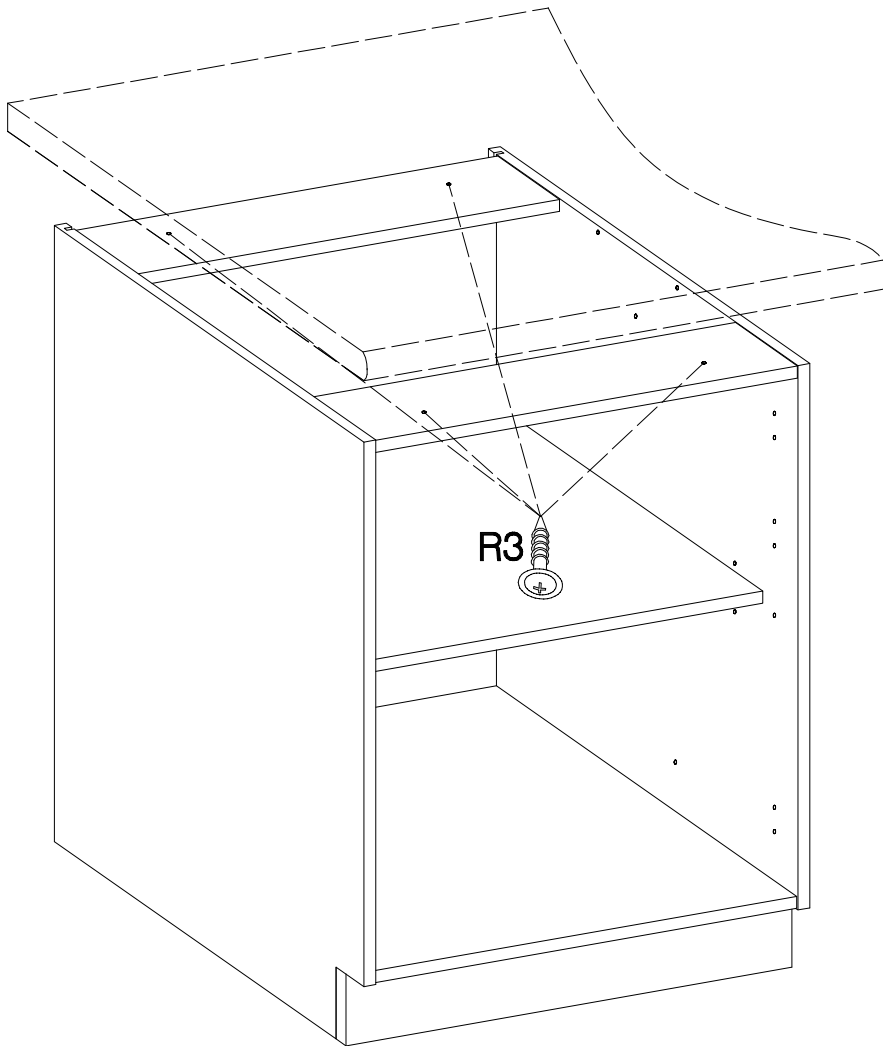
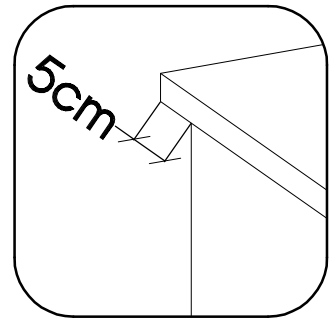
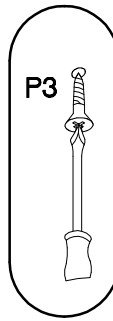
8

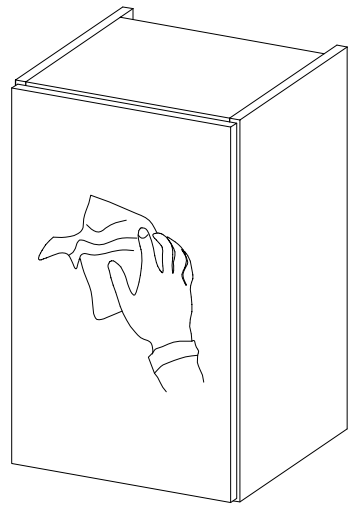
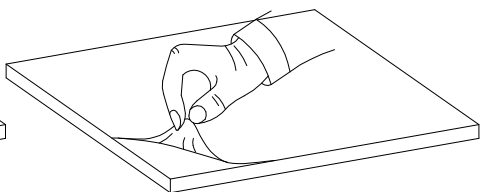
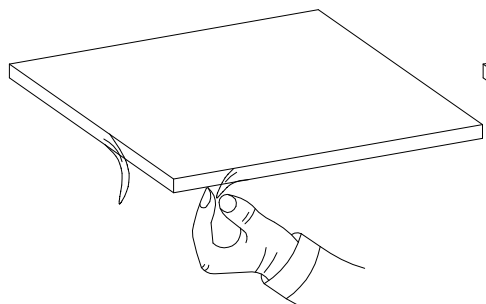
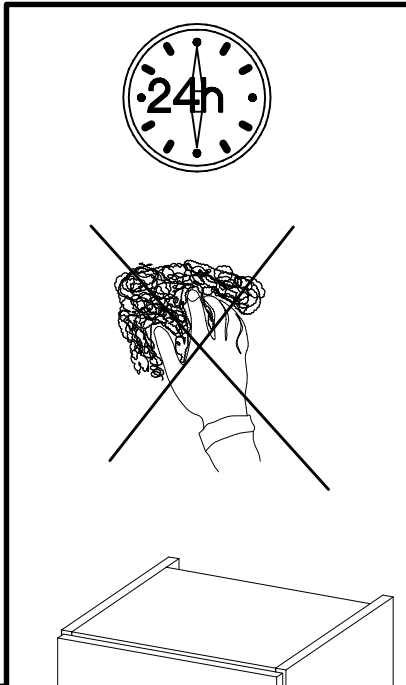
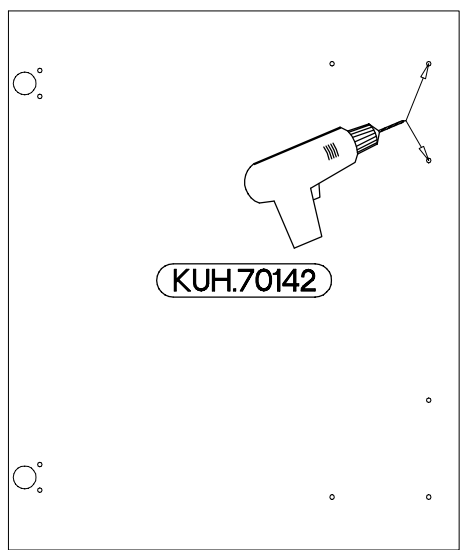
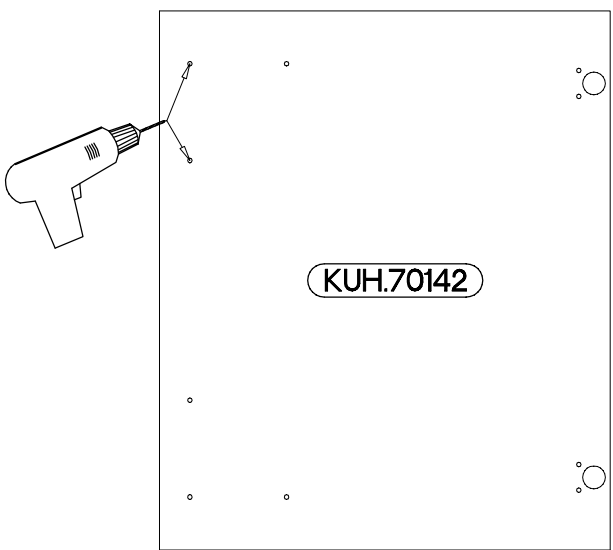
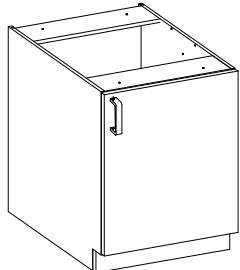
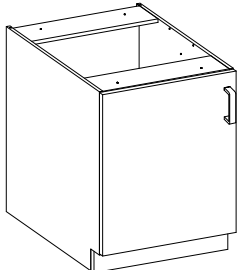
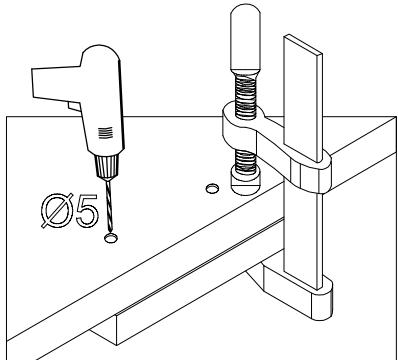
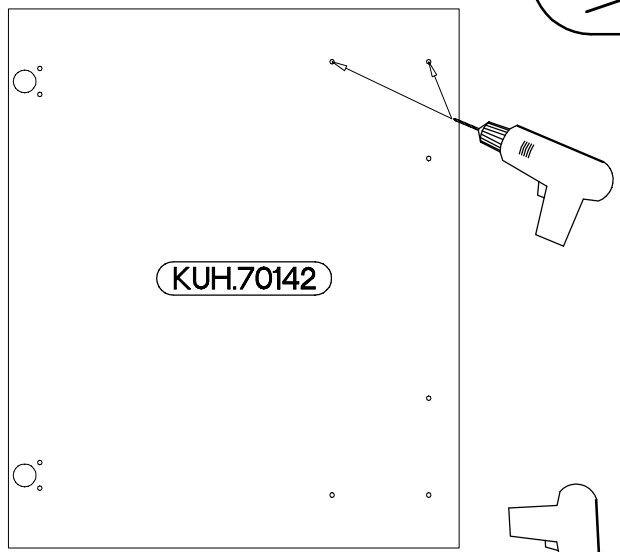
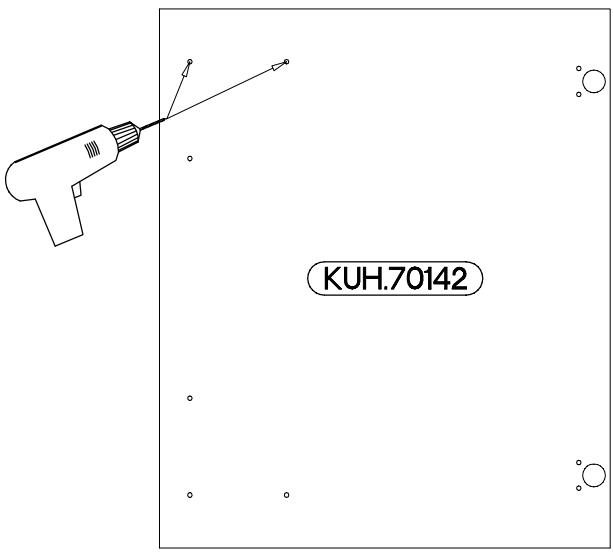
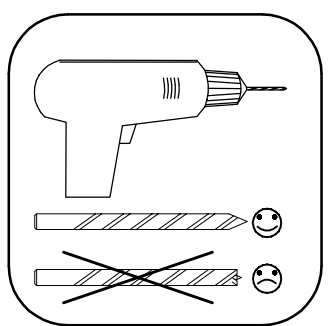
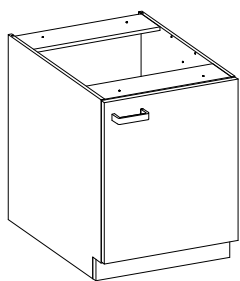
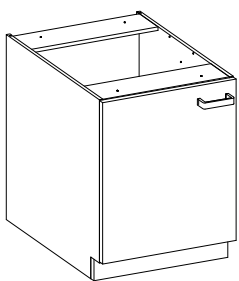
4.0x35mm


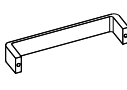


R3

4





M4x22mm	
	
U	S23
2	1

