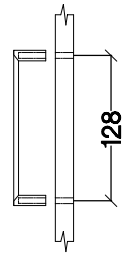
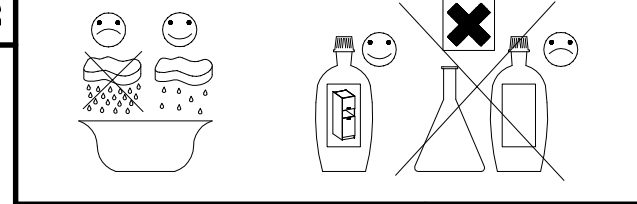
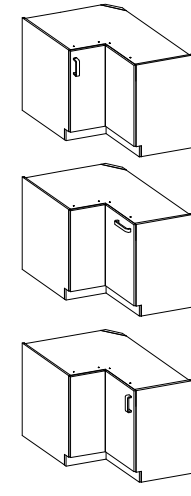
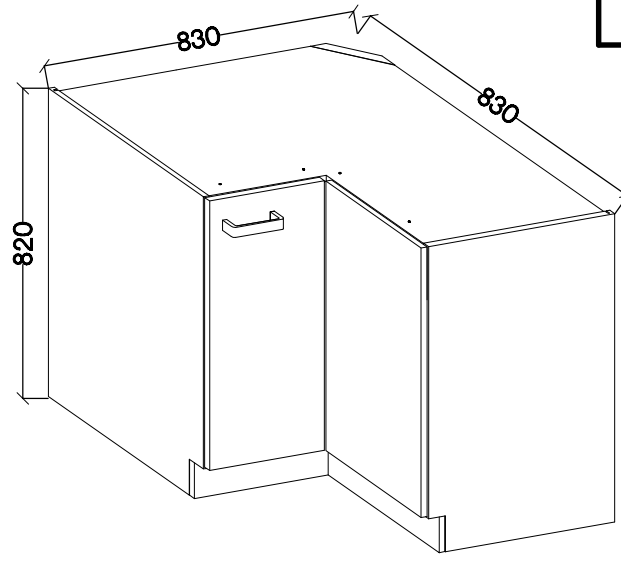
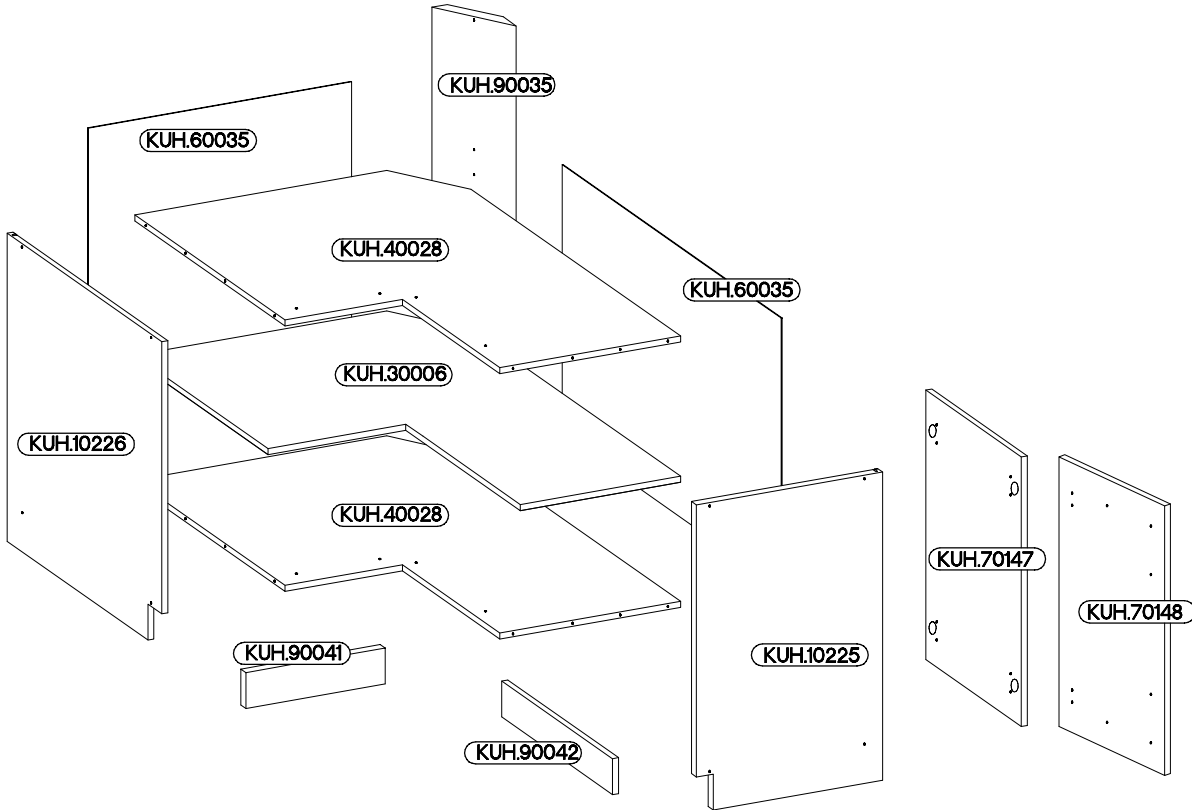
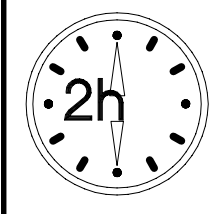







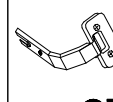
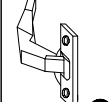
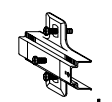

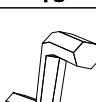


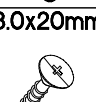

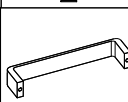

89x89 ND 2F BB

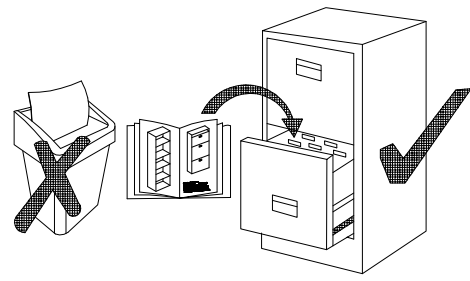


max.
10kg

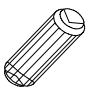
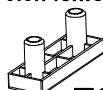
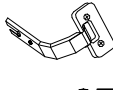
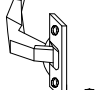
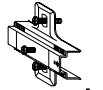

KUH.30006
KUH.40028

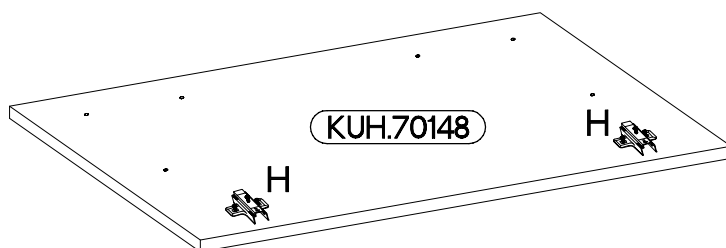
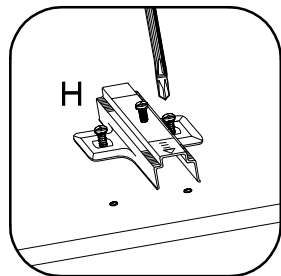
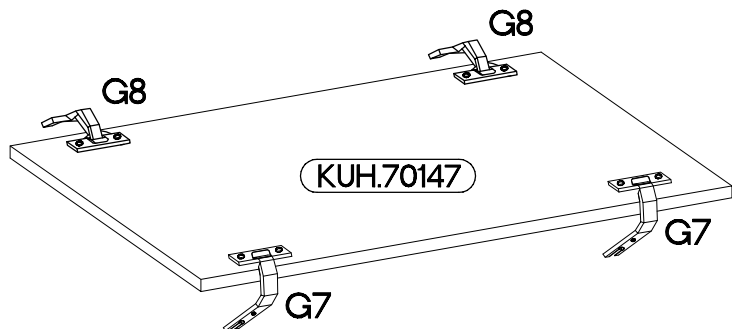
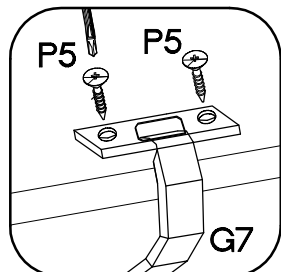
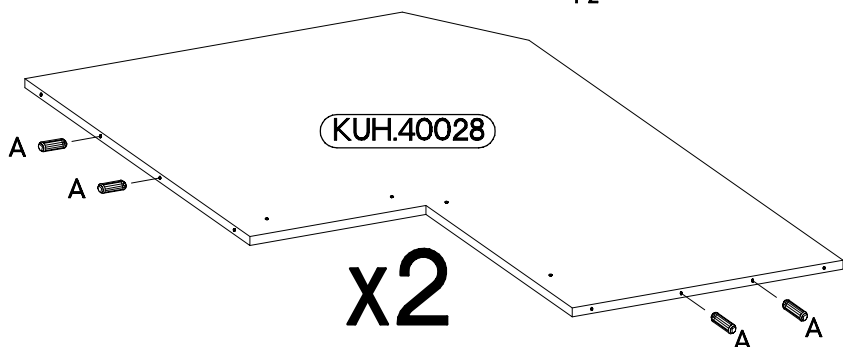
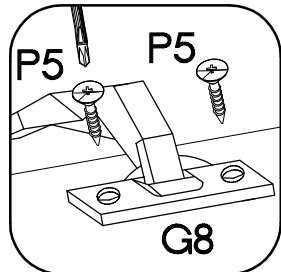
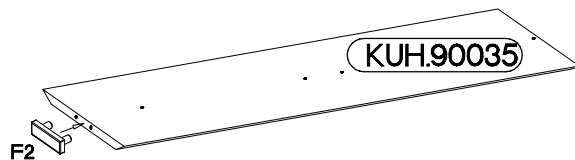
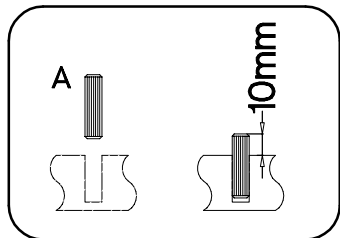
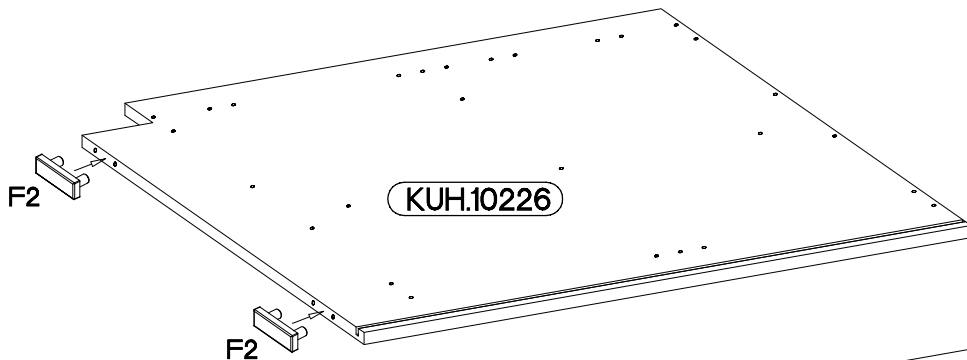
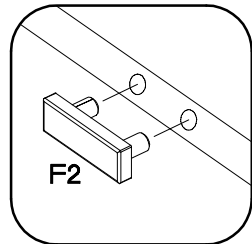
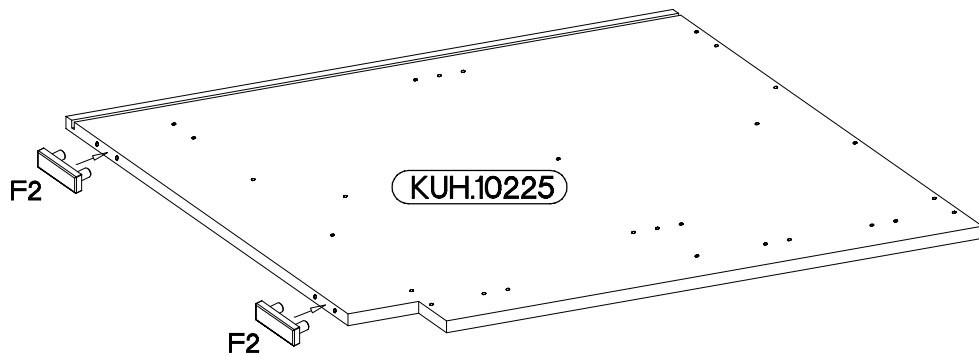
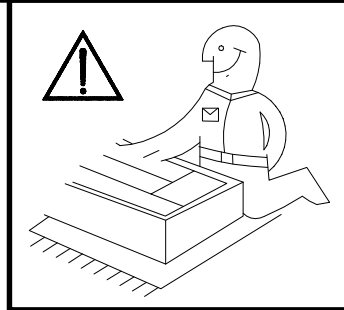


 A	 B	 E1	 E9	 F2	 G7	 G8	 H
8	10	8	4	5	2	2	4
 J	 O	 P4	 P5	 P7	 R3	 S23	 U
5	1	4	8	20-25	4	1	2



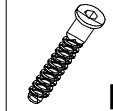
ISM-KUH-00930

±8x30mm  A 8	6.5x48x16  F2 5	 G7 2	 G8 2	 H 2	±3.5x13mm  P5 8
---	--	---	---	--	--



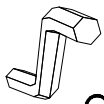
2

6,4 x 50mm



B

4



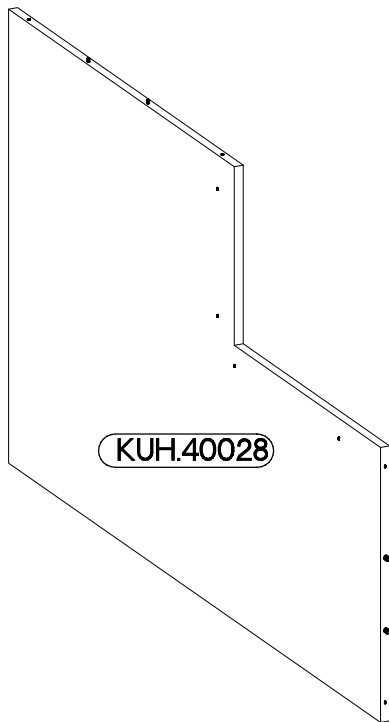
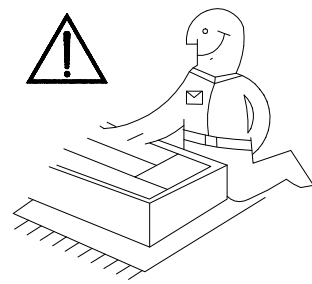
O

1

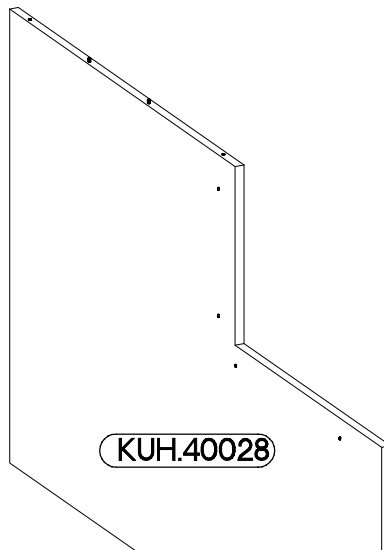


E1

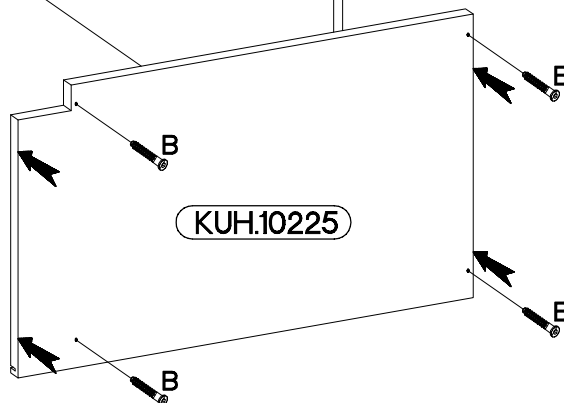
4



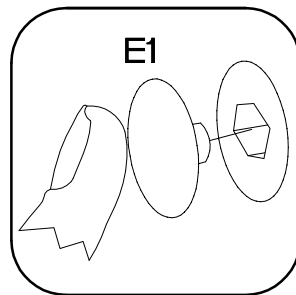
KUH.40028



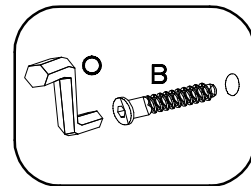
KUH.40028



KUH.10225

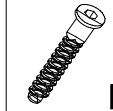


E1



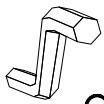
3

6,4 x 50mm



B

4



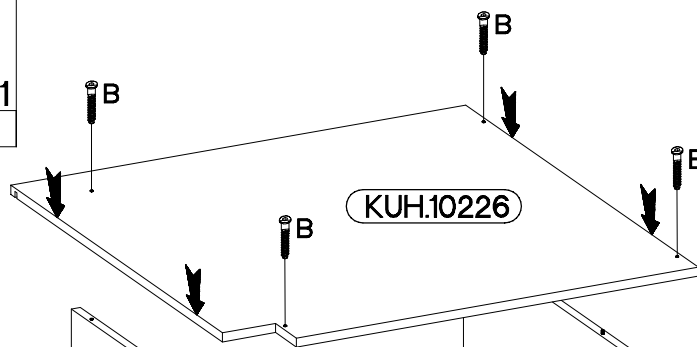
O

1

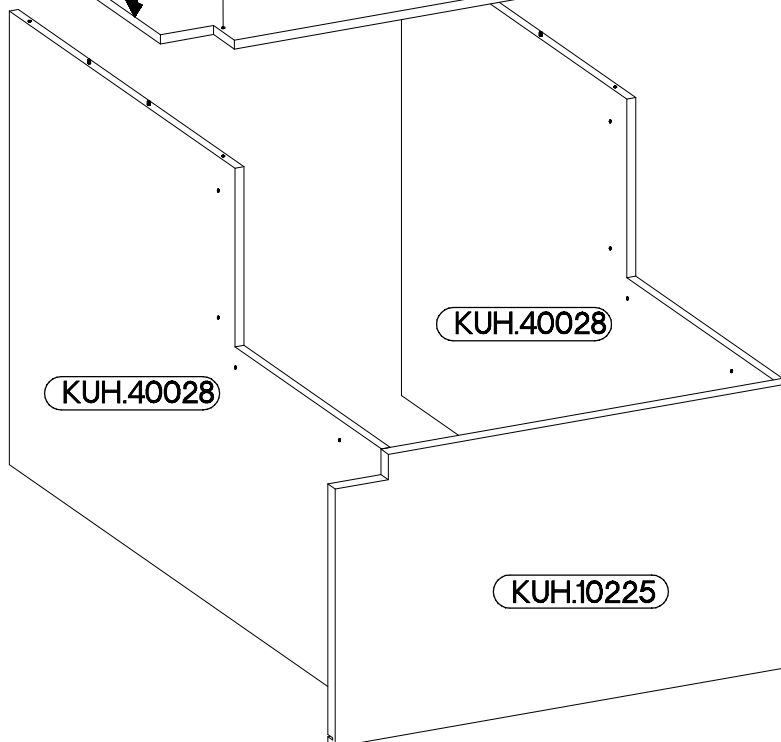


E1

4



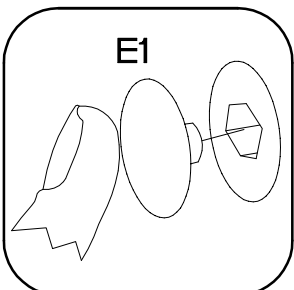
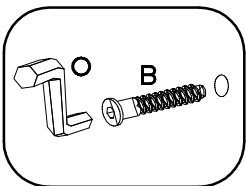
KUH.10226



KUH.40028


KUH.40028

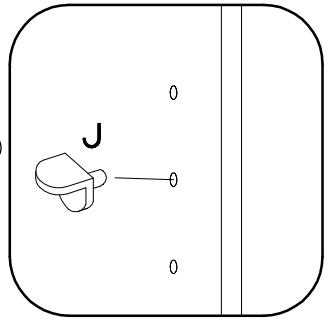
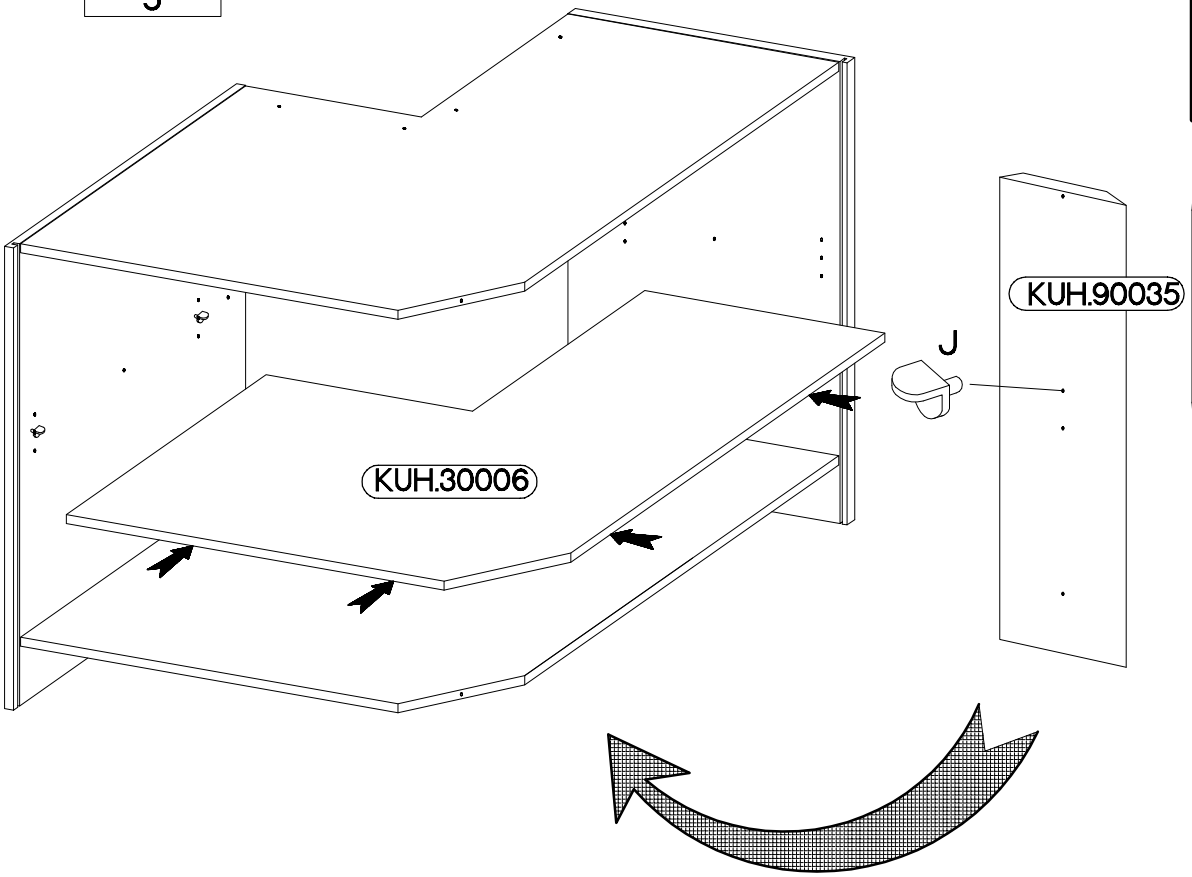
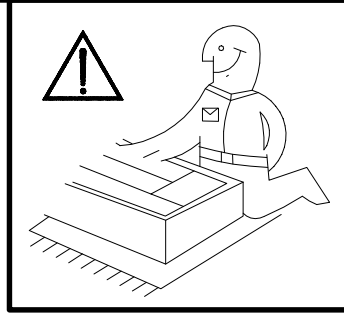
KUH.10225




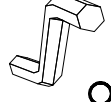
E1

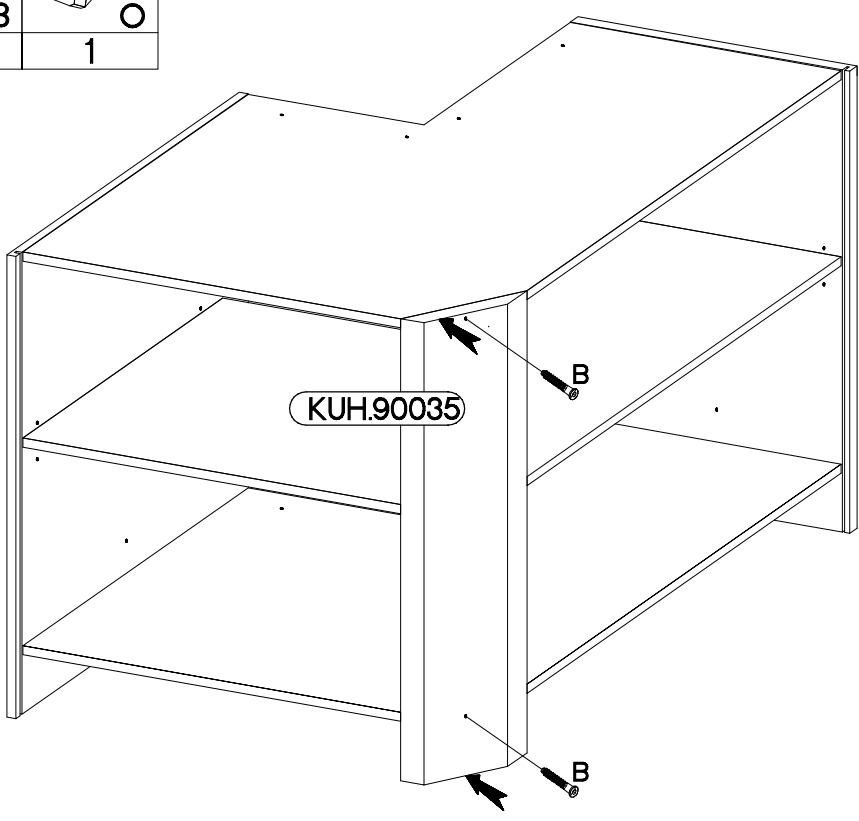
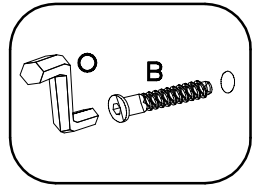
4

±5/19mm

J
5



5

6,4 x 50mm	
	
B	O
2	1



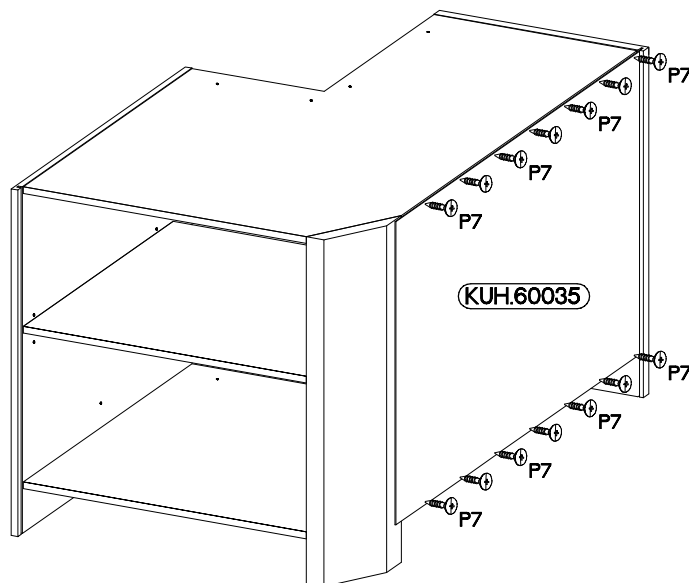
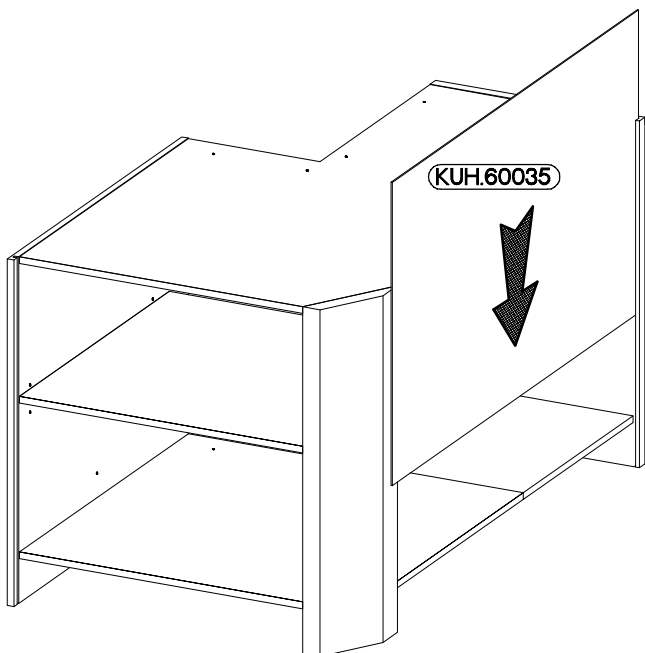
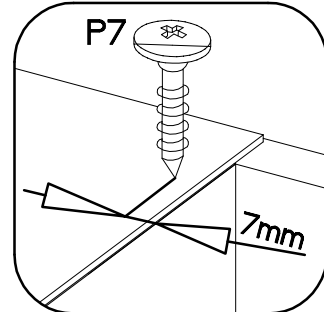
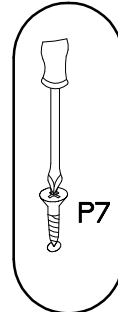
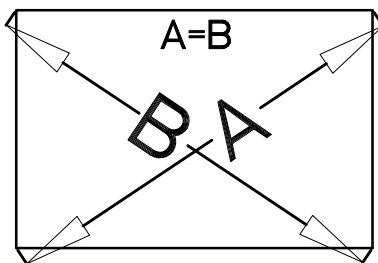
6

±3.0x20mm



P7

10-15



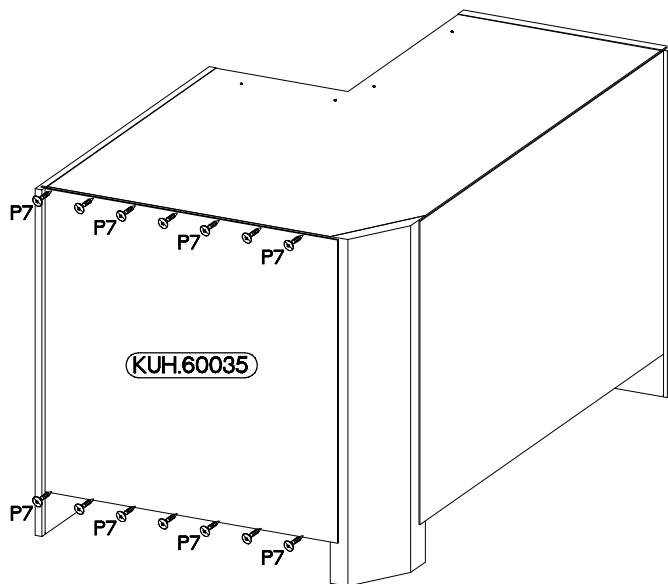
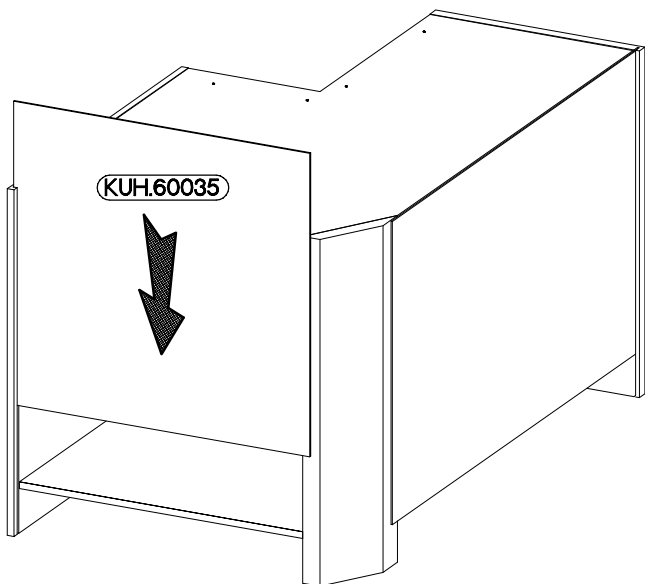
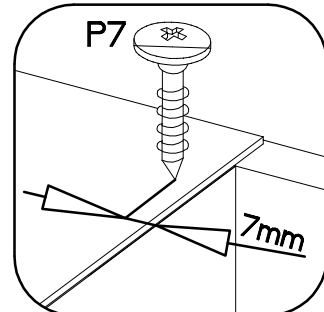
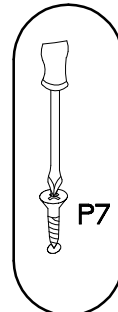
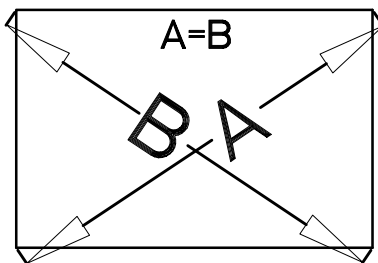
7

±3.0x20mm





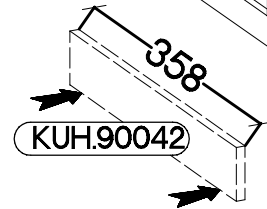
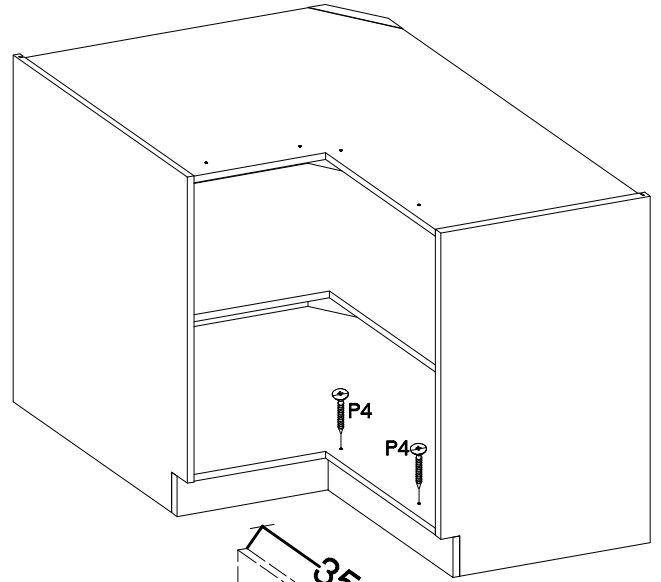
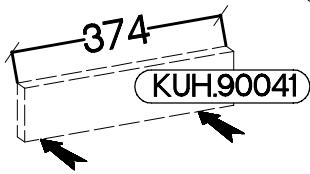
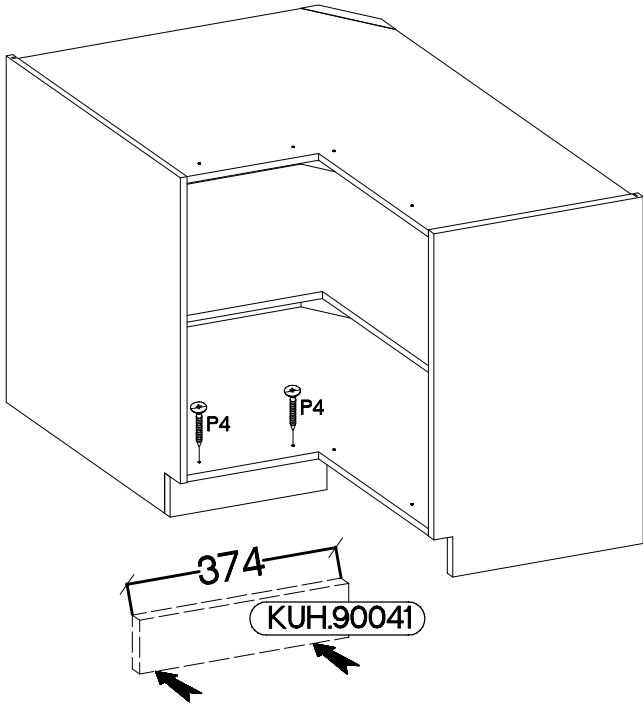
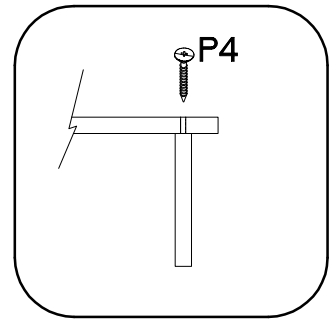
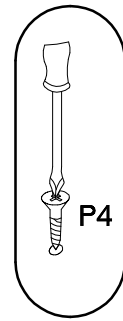
P7

10-15




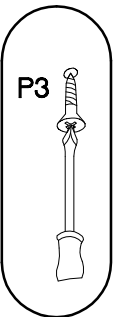
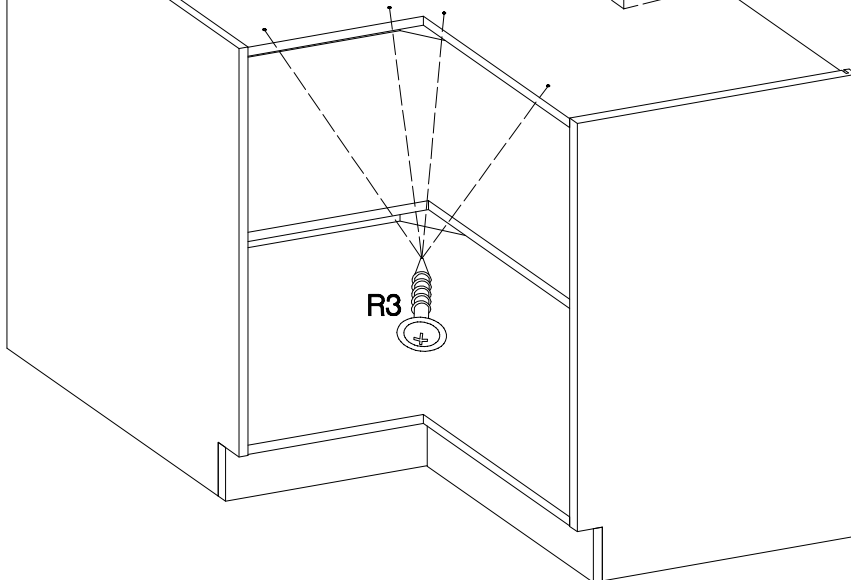
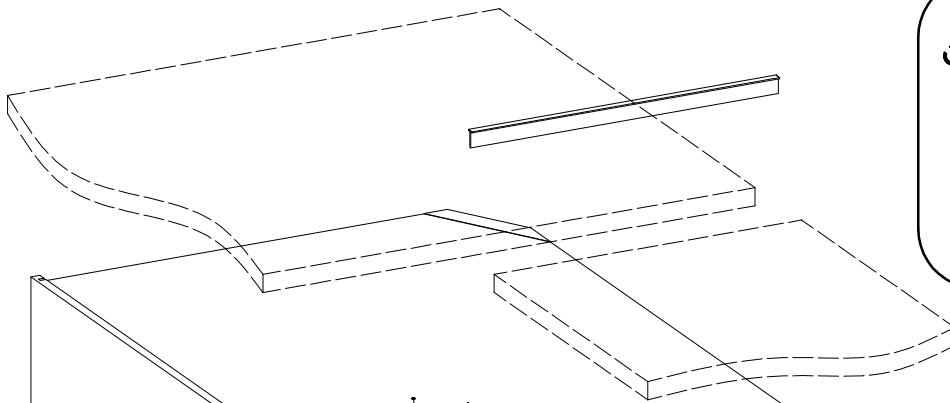
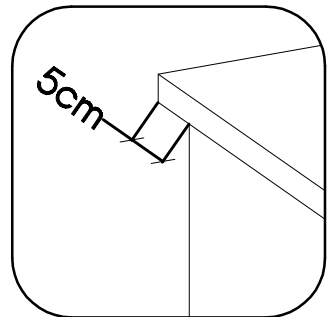
8

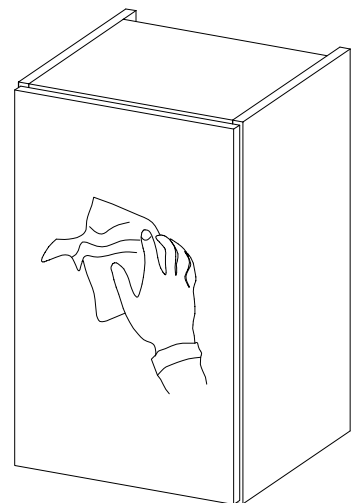
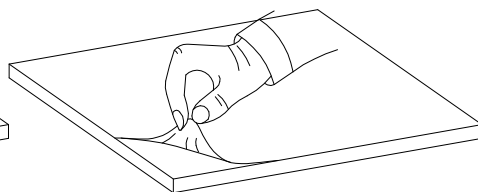
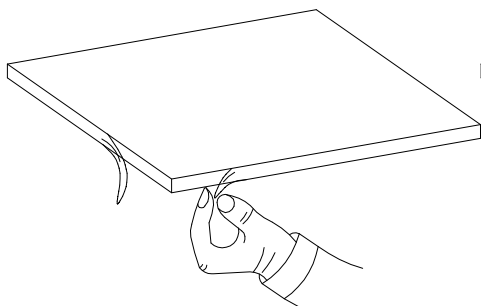
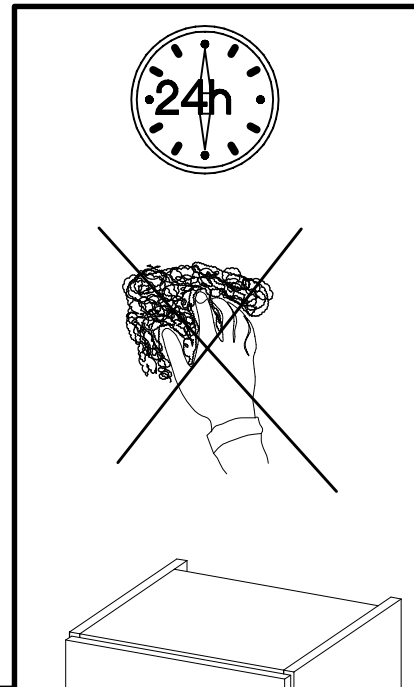
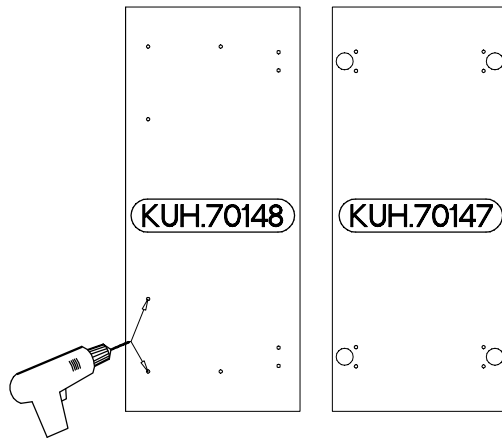
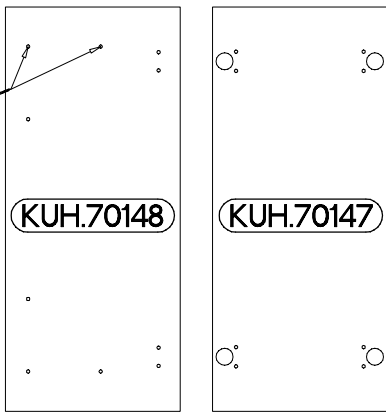
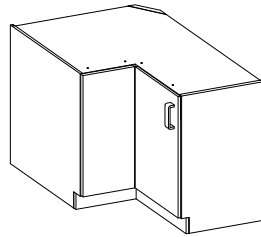
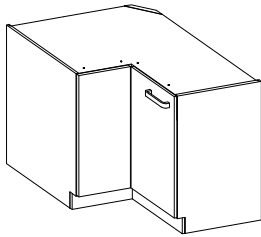
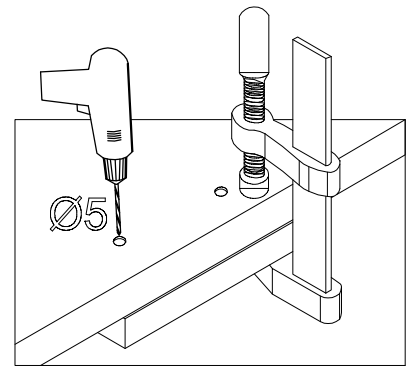
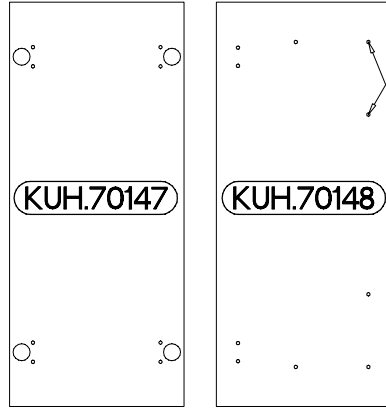
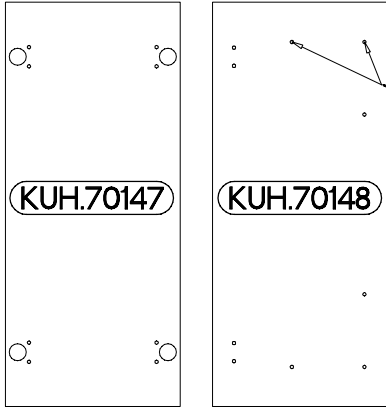
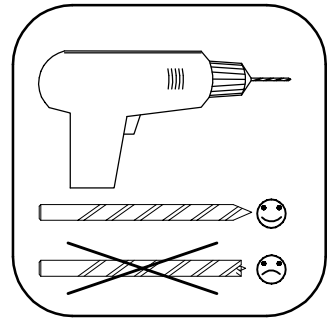
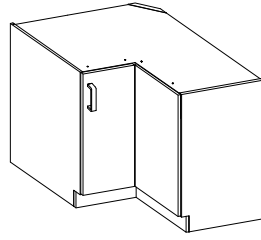
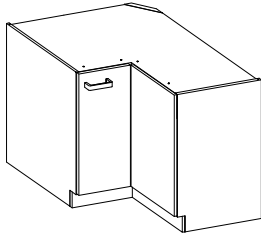
$\pm 4.0 \times 45 \text{mm}$  P4 4	 E9 4
--	---



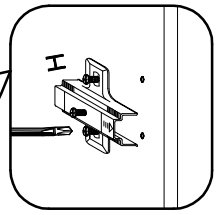
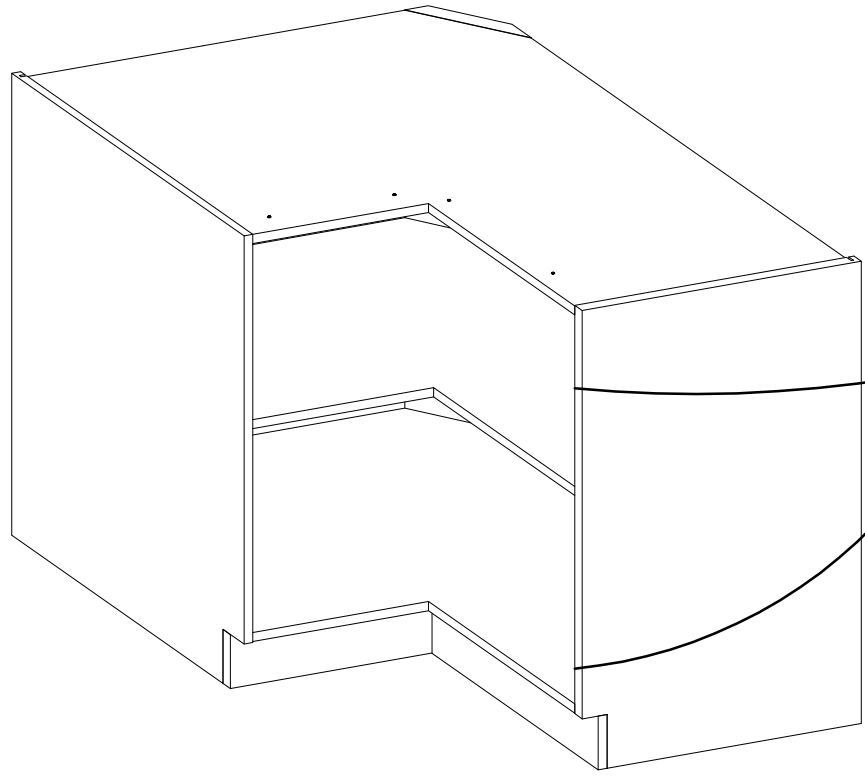
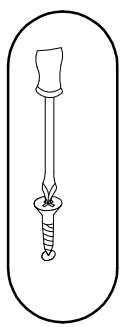
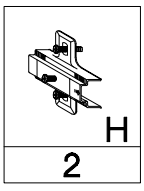
9

$\pm 4.0 \times 35 \text{mm}$  R3 4

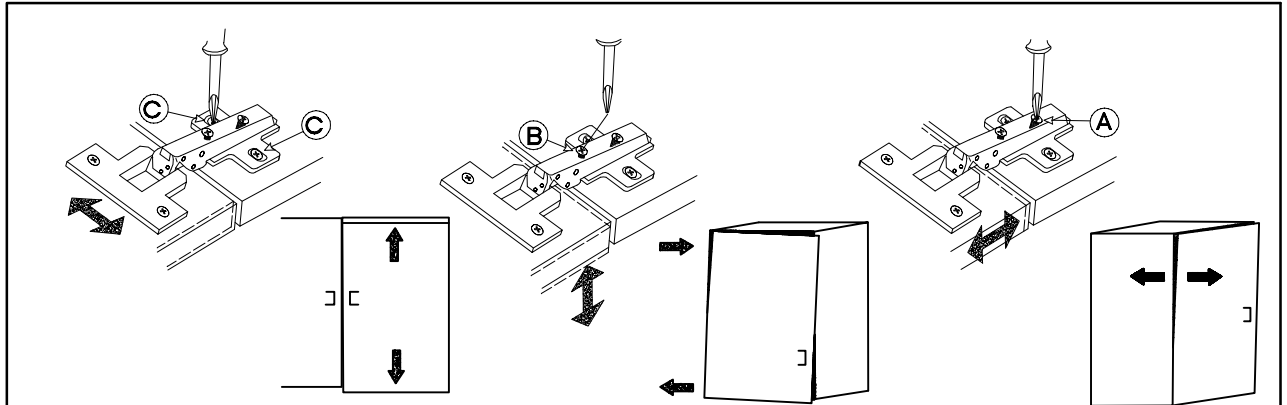
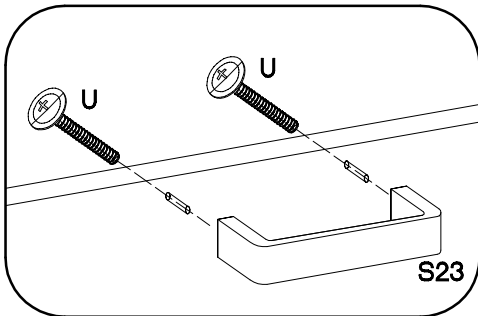
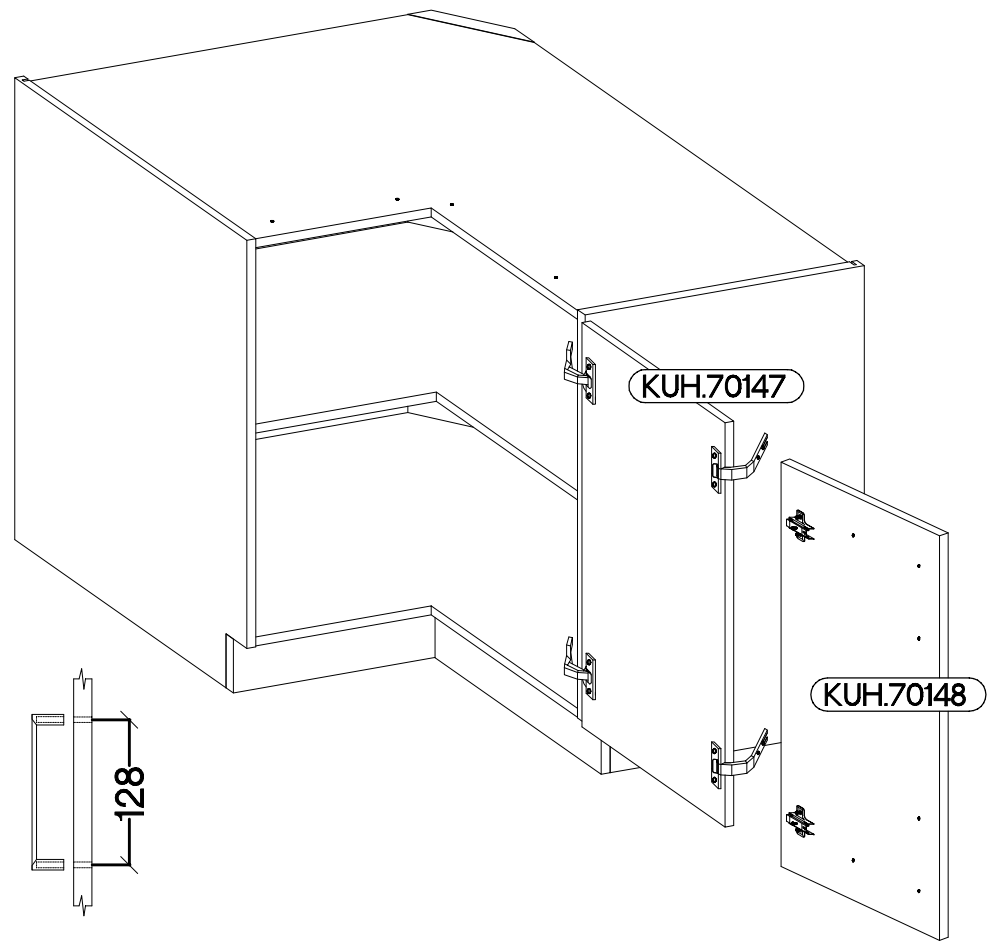
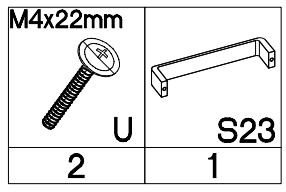


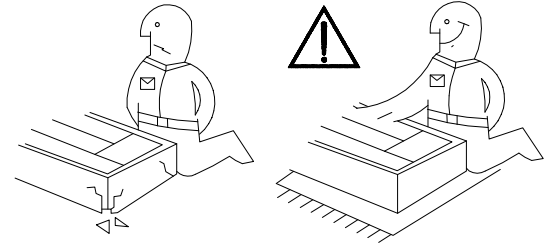
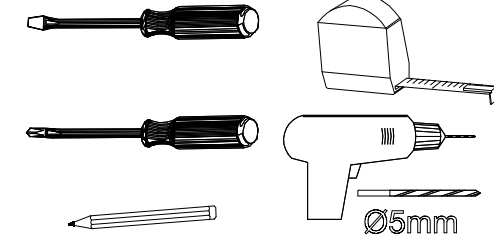
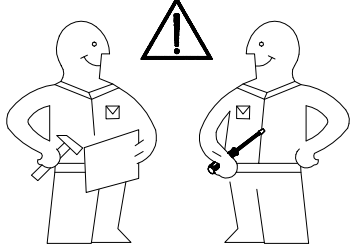


11

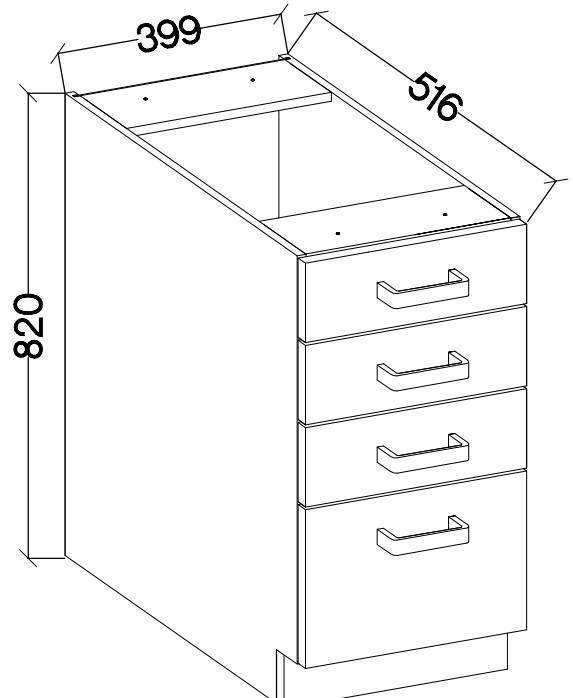
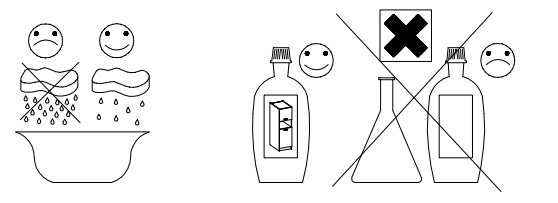


12





40 D 4S BB

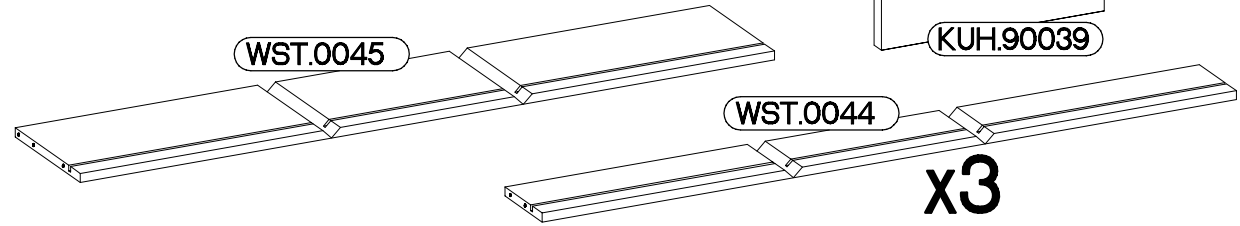
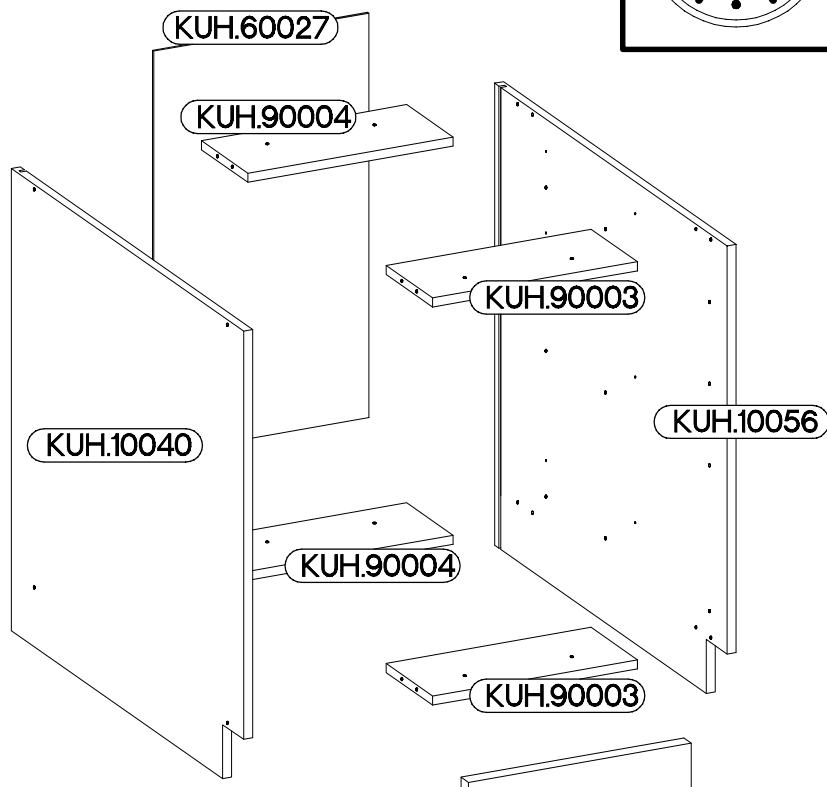
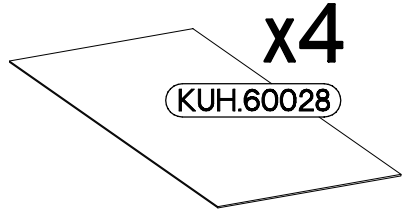


max. 5kg

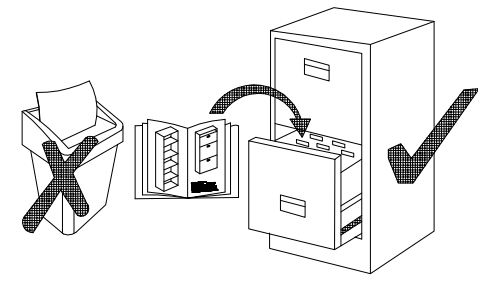
KUH.60028



- KUH.70149
- KUH.70149
- KUH.70149
- KUH.70150

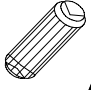



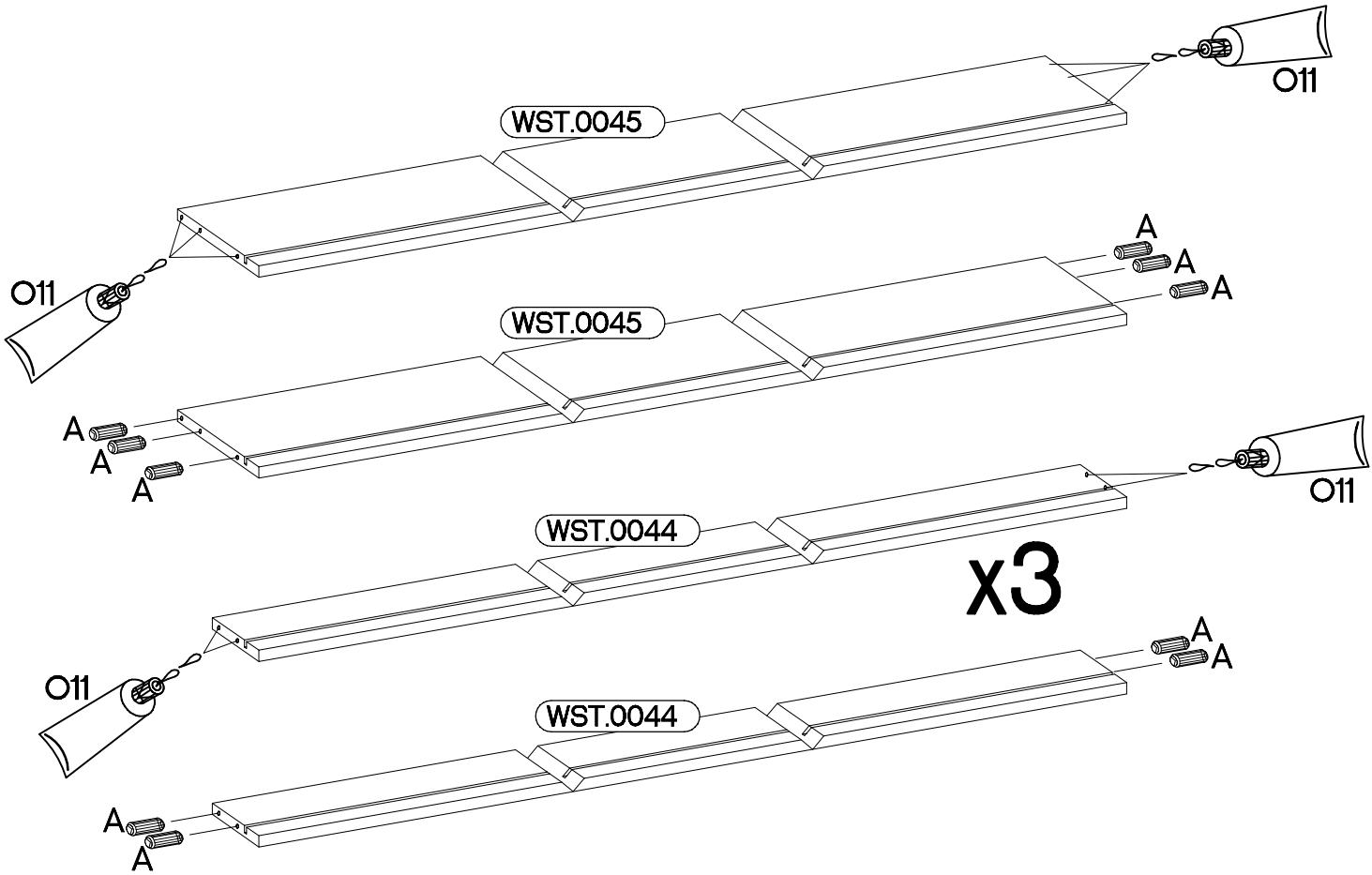
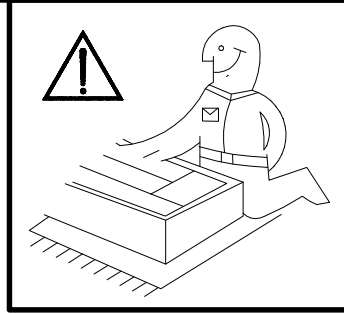
<p>†8x30mm</p> <p>A</p> <p>26</p>	<p>6,4 x 50mm</p> <p>B</p> <p>8</p>	<p>E1</p> <p>8</p>	<p>E9</p> <p>2</p>	<p>6.5x48x16</p> <p>F2</p> <p>4</p>	<p>L=450mm</p> <p>I5</p> <p>4</p>
<p>†5.0x13mm</p> <p>M</p> <p>24</p>	<p>O</p> <p>1</p>	<p>O11</p> <p>1</p>	<p>†4.0x45mm</p> <p>P4</p> <p>2</p>	<p>†3.5x13mm</p> <p>P5</p> <p>32</p>	<p>†3.5x20mm</p> <p>P6</p> <p>12</p>
<p>†3.0x20mm</p> <p>P7</p> <p>8-10</p>	<p>†4.0x35mm</p> <p>R3</p> <p>4</p>	<p>S23</p> <p>4</p>	<p>M4x22mm</p> <p>U</p> <p>8</p>	<p>Z3</p> <p>4</p>	<p>Z4</p> <p>4</p>




ISM-KUH-00918

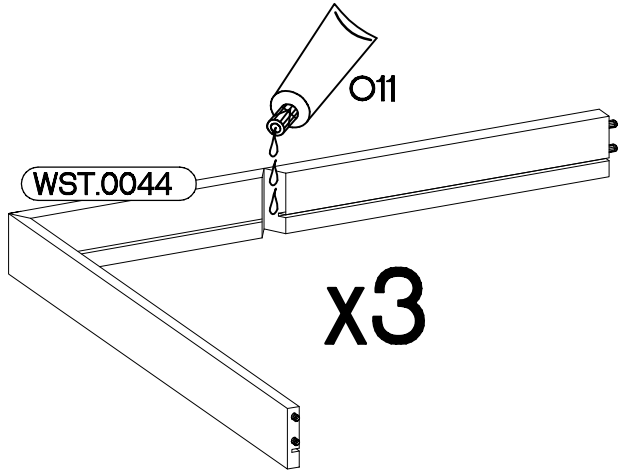
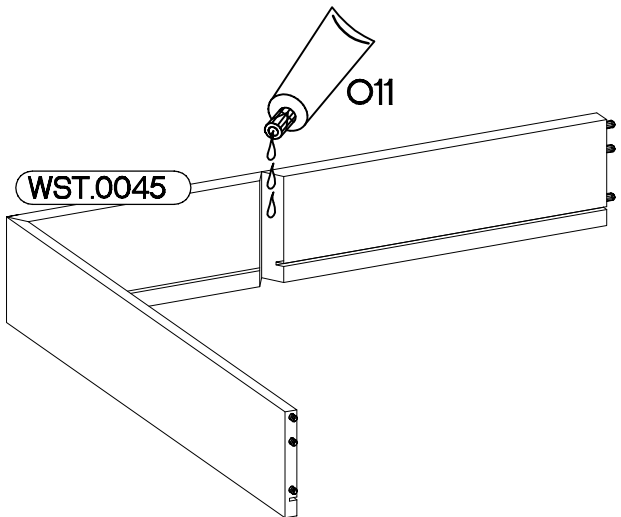
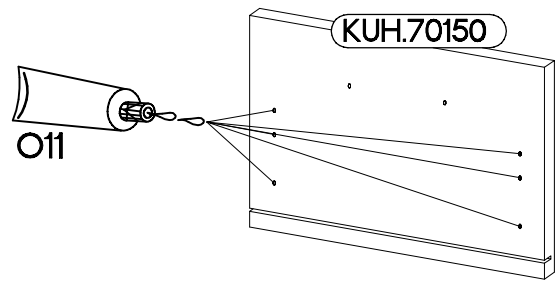
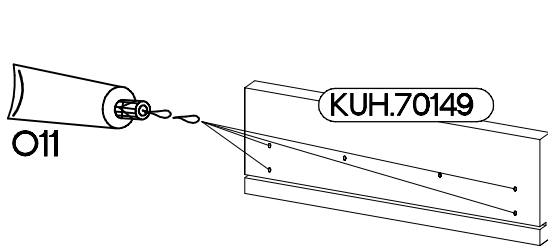
1

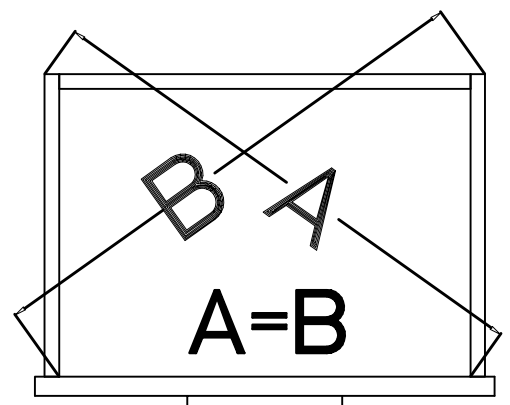
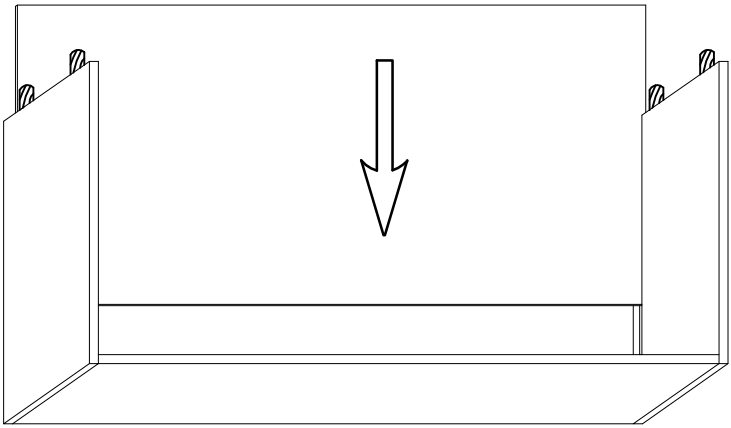
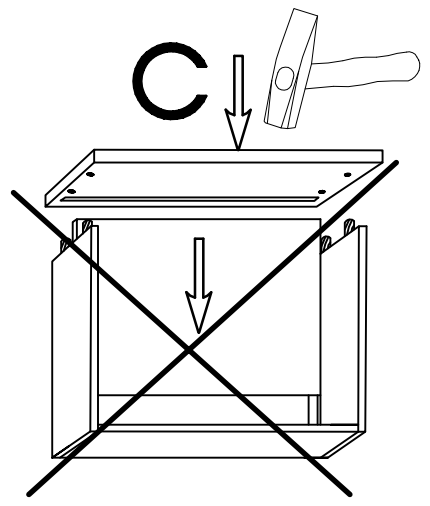
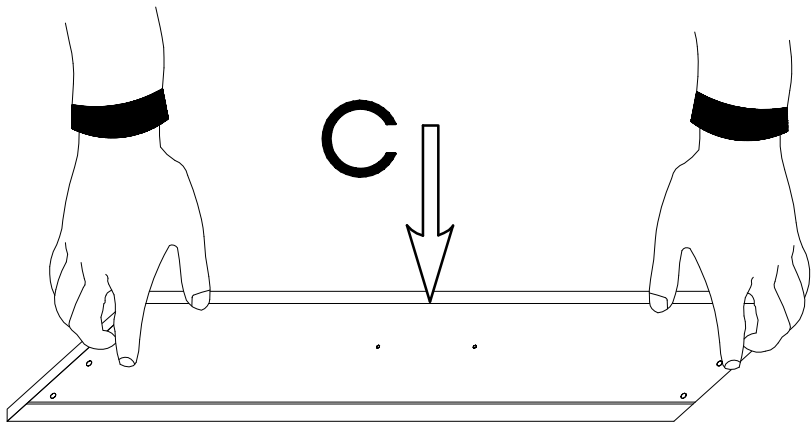
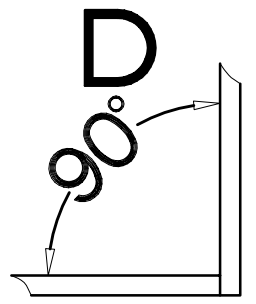
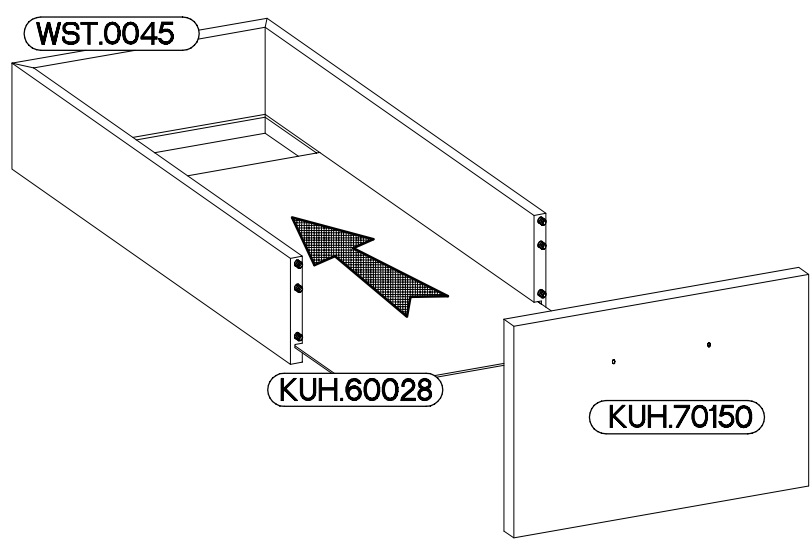
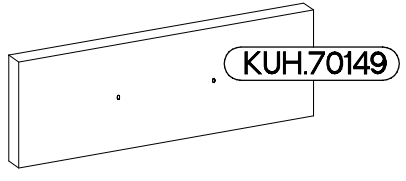
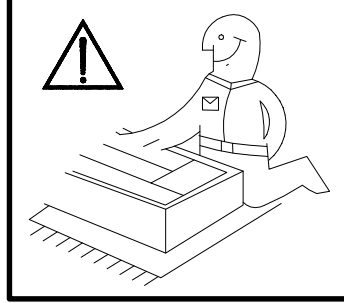
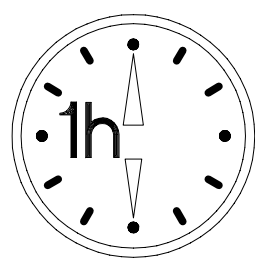
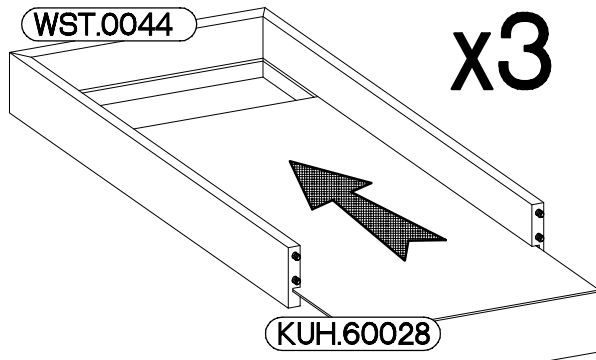
±8x30mm  A	0,05  O11
18	1



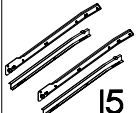


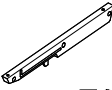

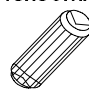
2

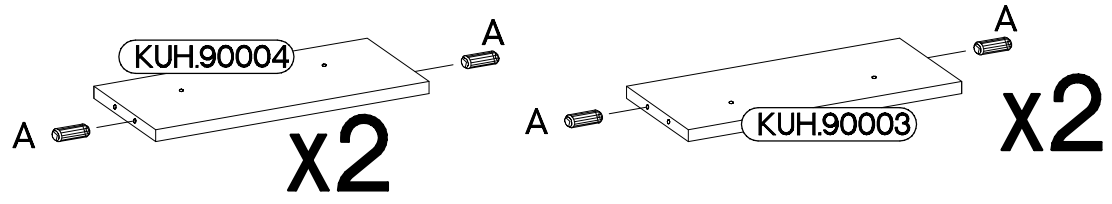
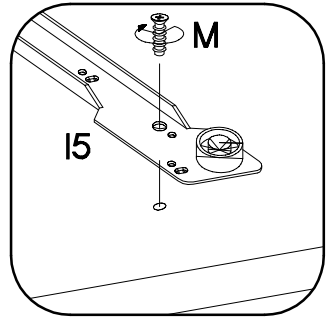
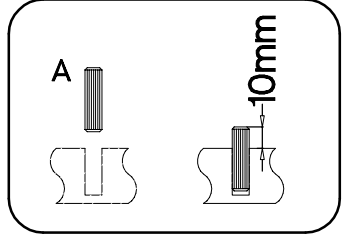
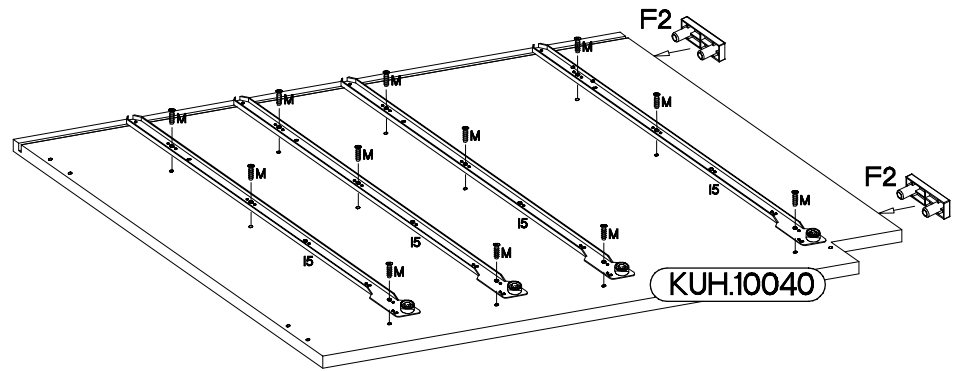
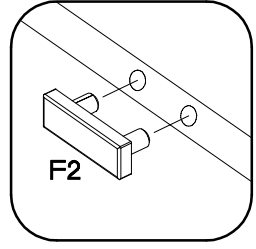
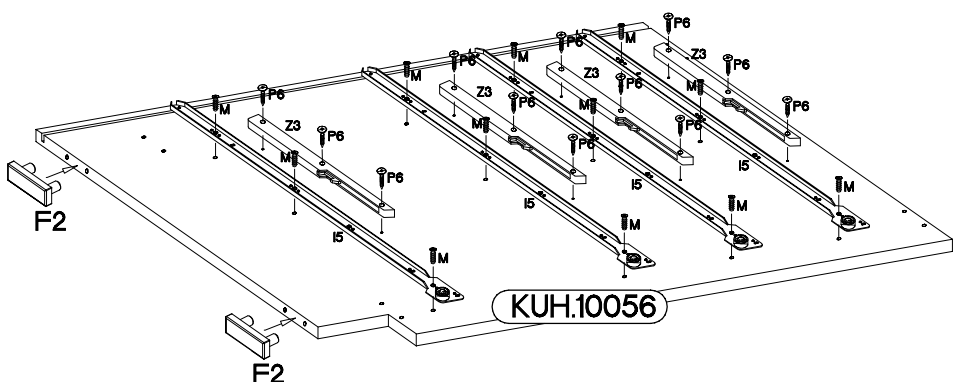
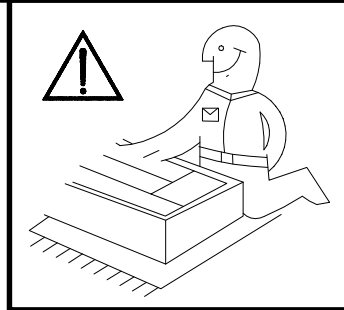
0,05  O11
1




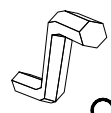



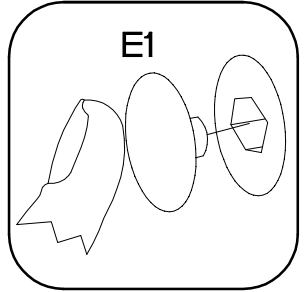
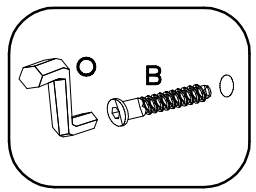
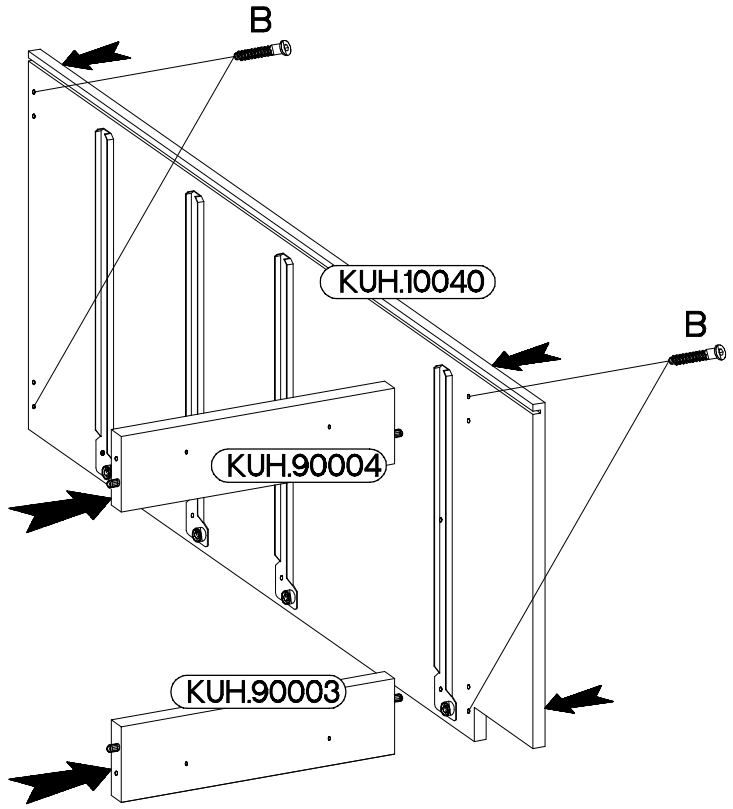
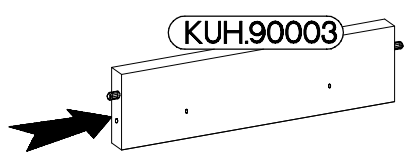
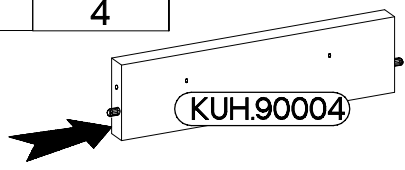
4

L=450mm  I5 4	±5.0x13mm  M 24	6.5x48x16  F2 4	 Z3 4	±3.5x20mm  P6 12	±8x30mm  A 8
--	--	--	---	---	---



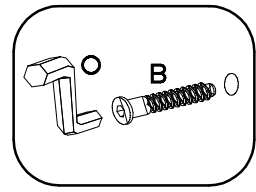
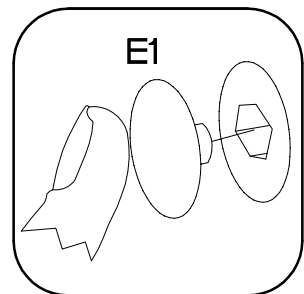
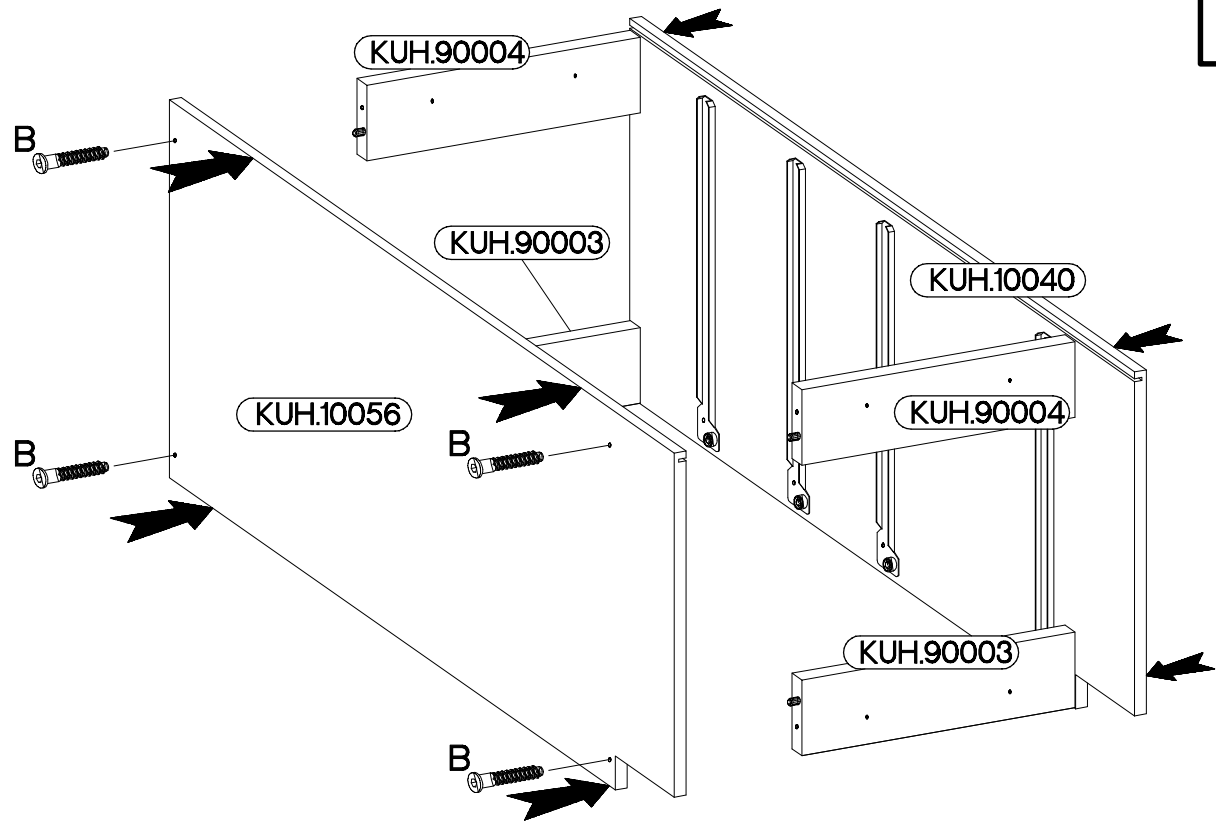
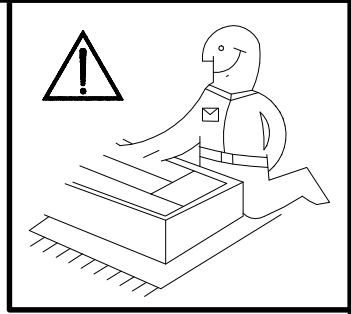
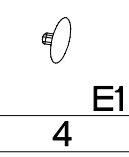
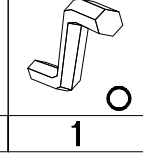
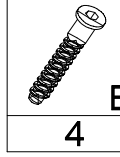
5

6,4 x 50mm  B 4	 O 1	 E1 4
---	---	--

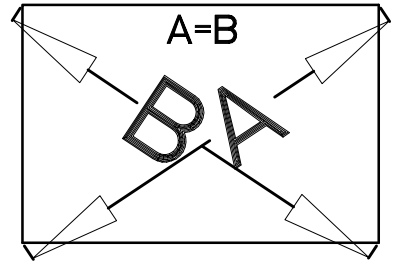
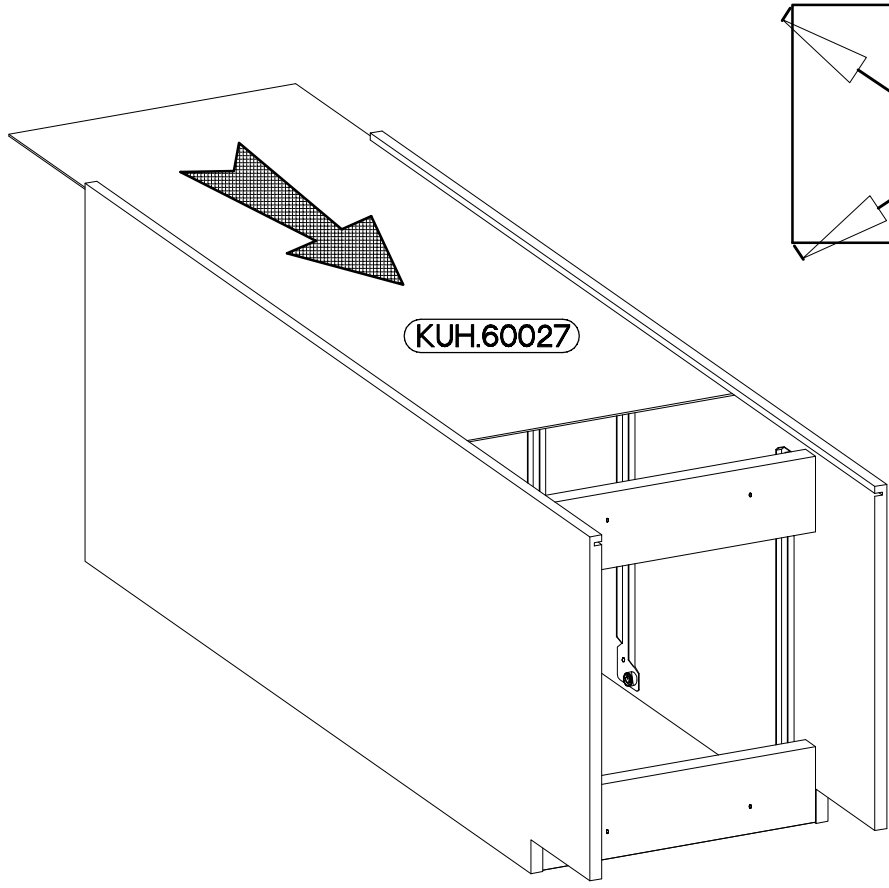


6


6,4 x 50mm

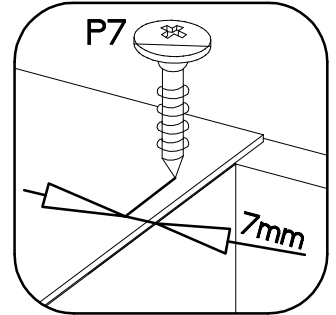
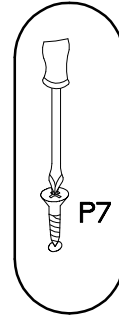
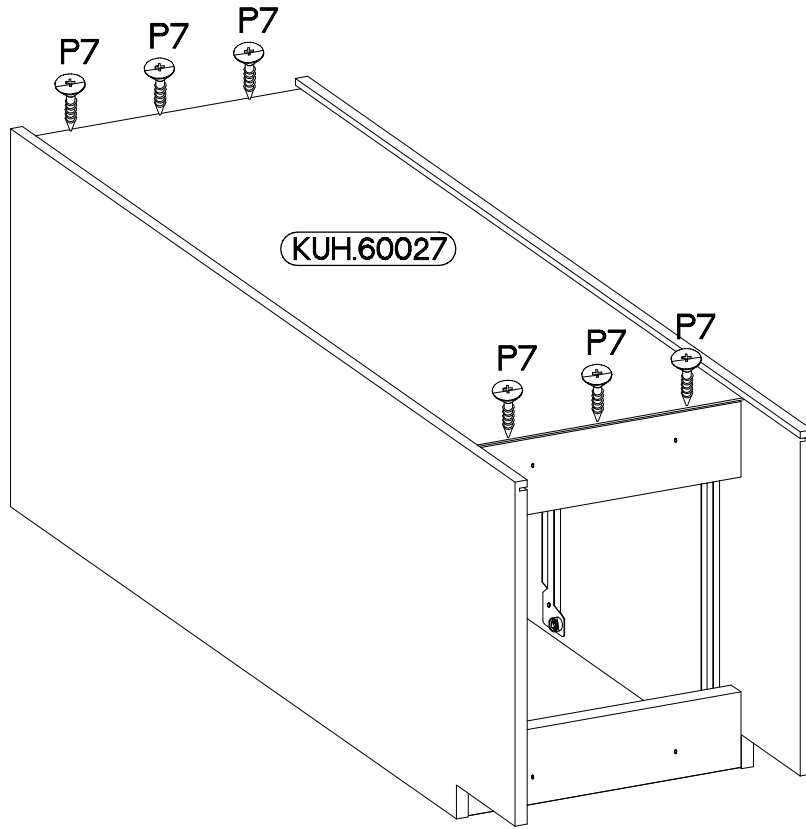
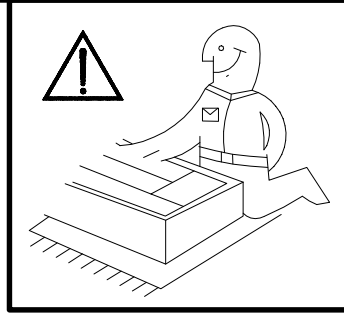


7

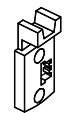



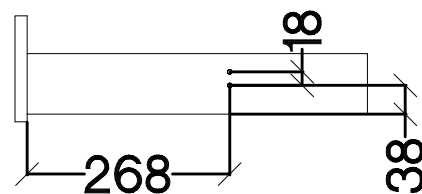
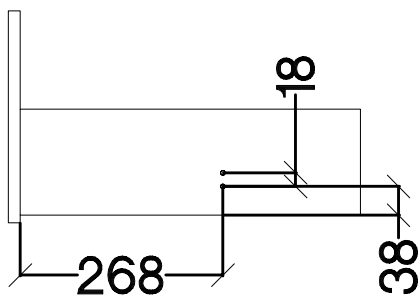
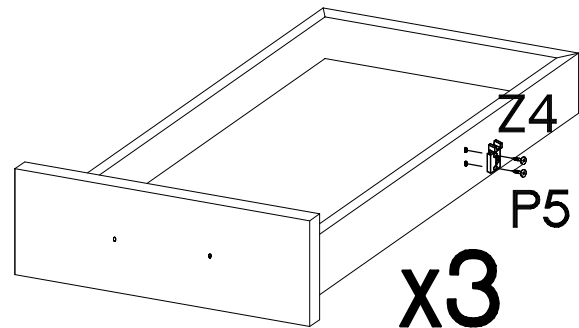
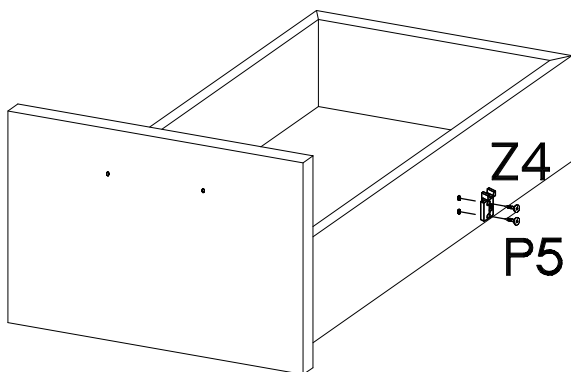
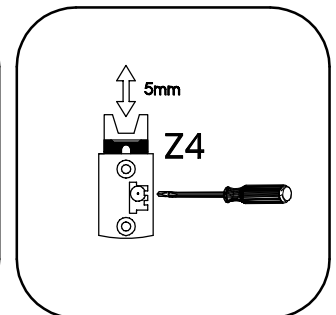
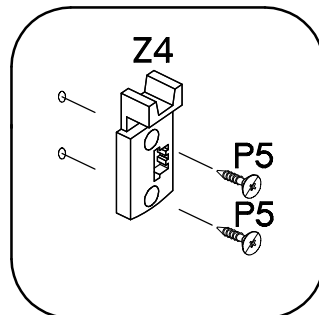
8

±3.0x20mm

P7
8-10





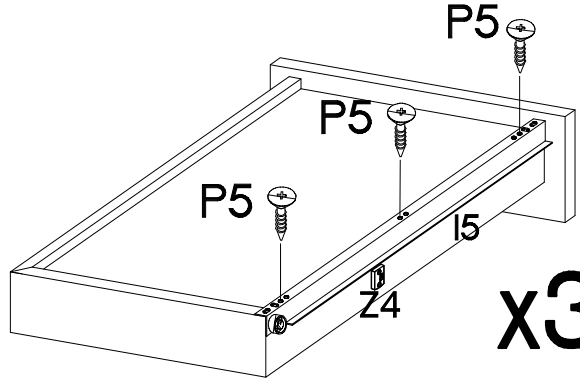
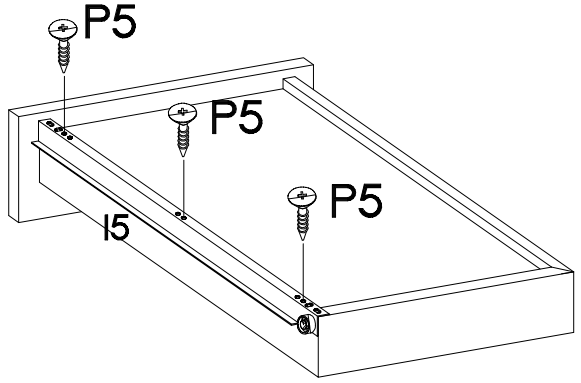
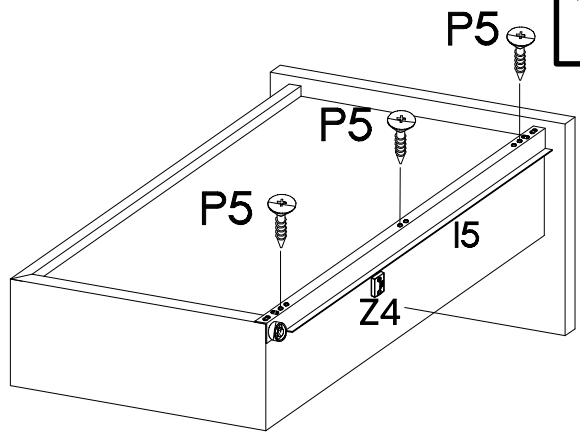
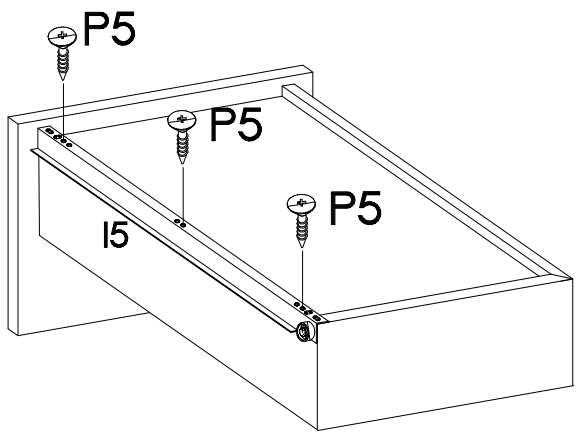
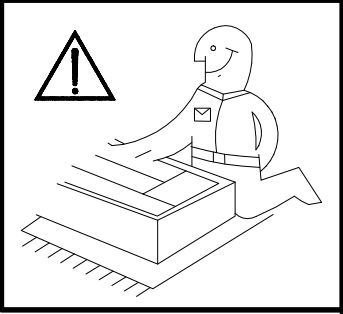
9

±3.5x13mm	
	Z4
8	4




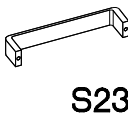
10

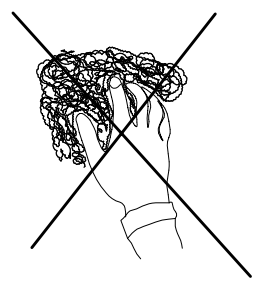
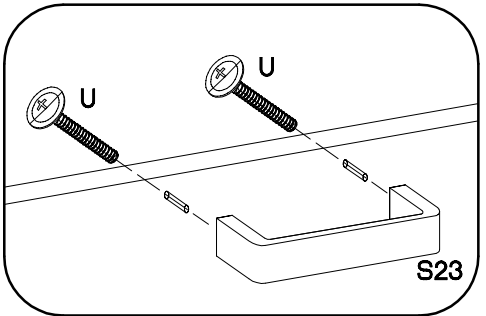
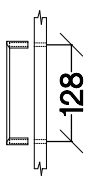
L=450mm  I5 4	+3.5x13mm  P5 24
--	---



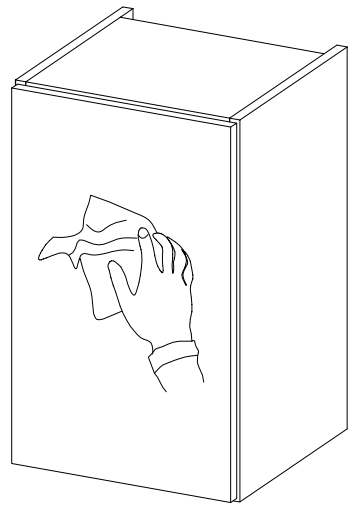
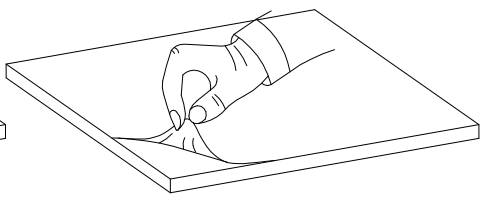
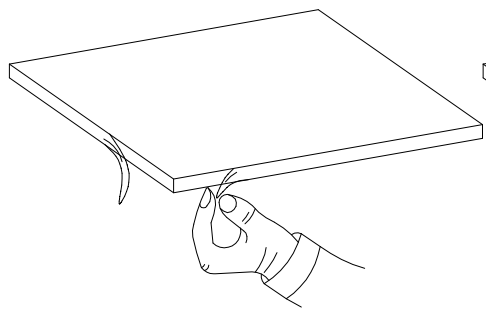
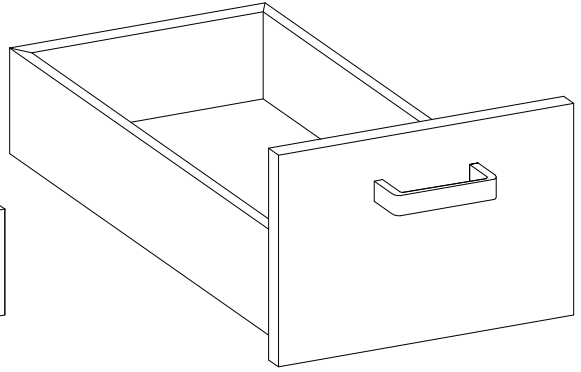
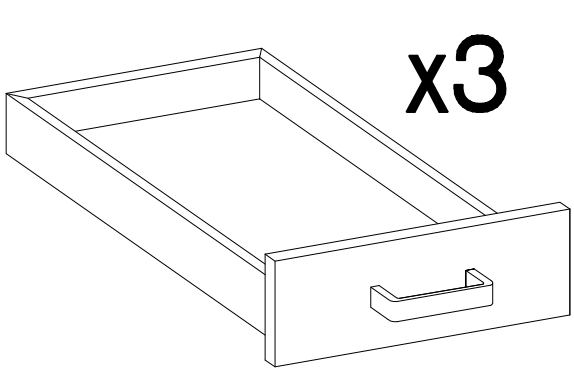
x3

11



M4x22mm  U 8	 S23 4
--	---

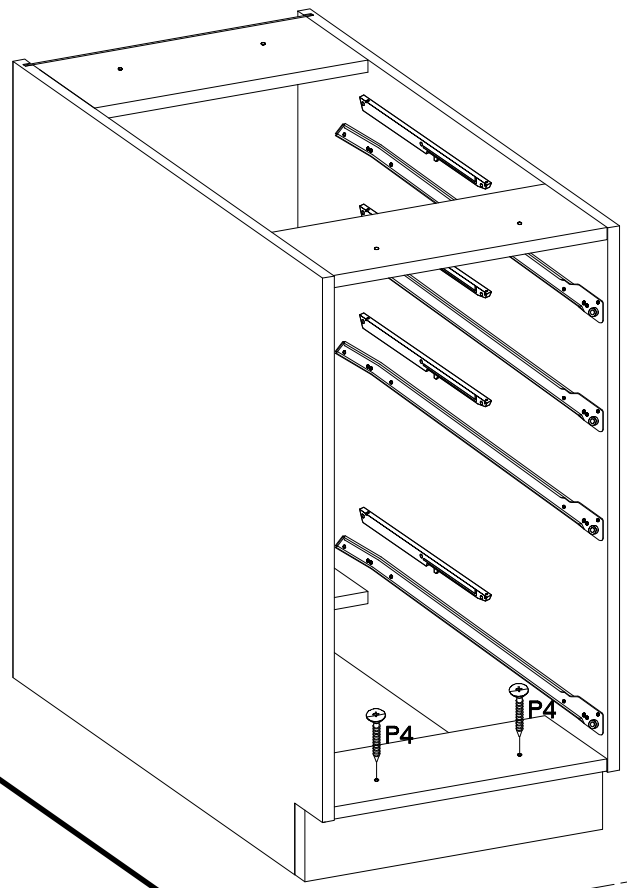
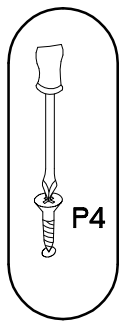
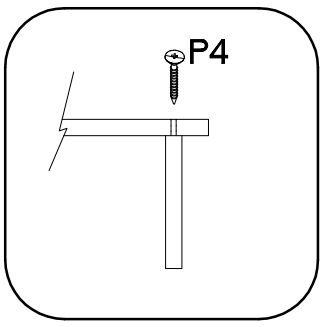


x3

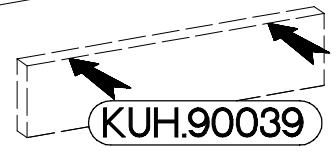
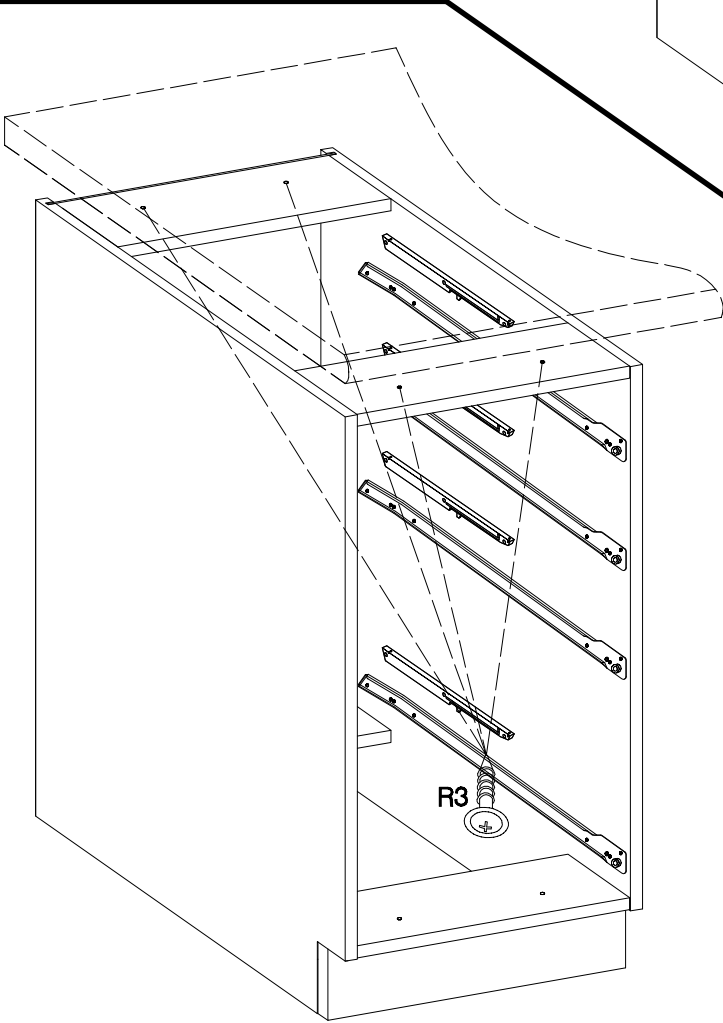



12

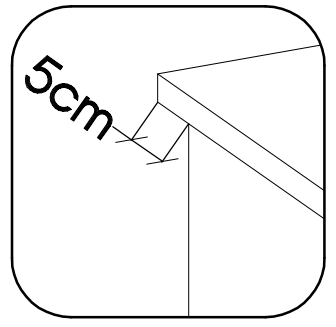
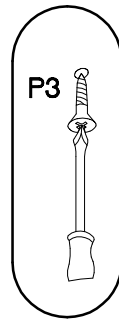
$\pm 4.0 \times 45 \text{mm}$  P4 2	 E9 2
---	--



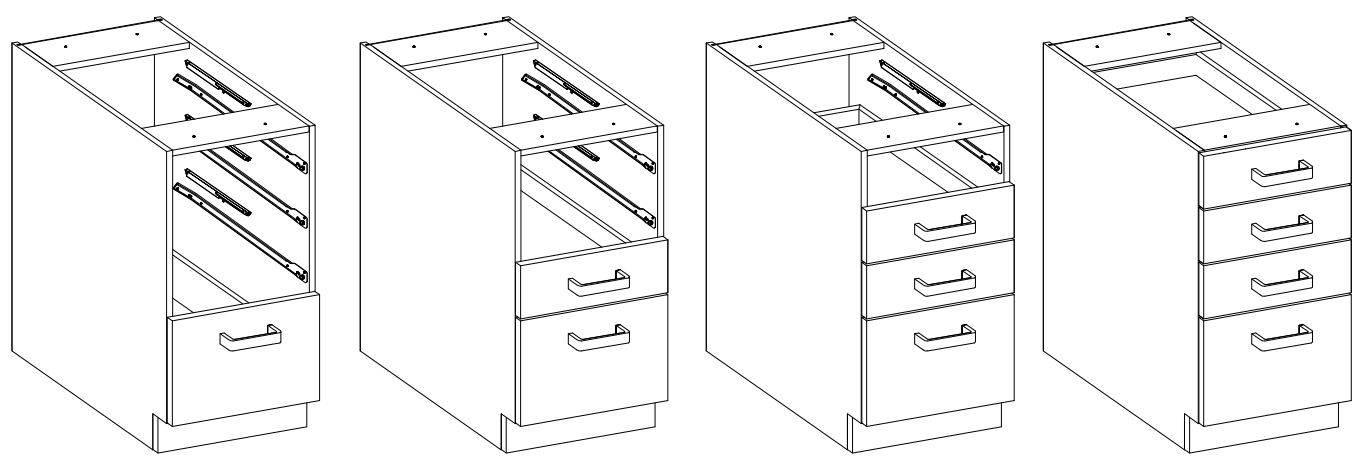
13

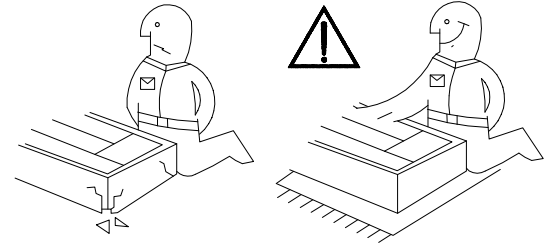
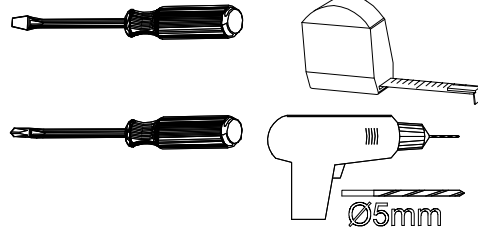
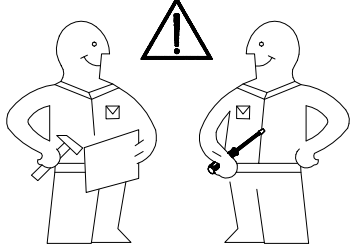


$\pm 4.0 \times 35 \text{mm}$  R3 4
--

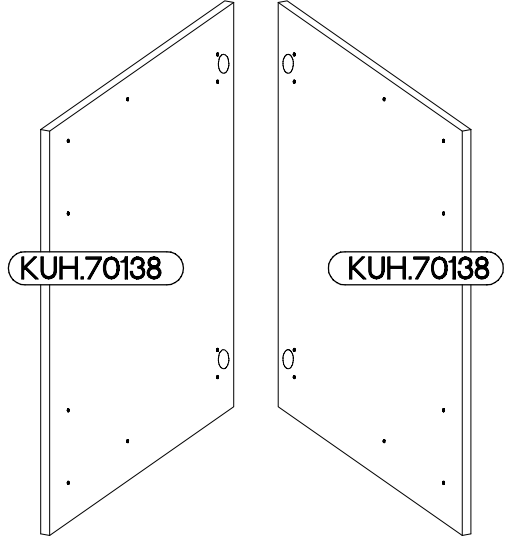
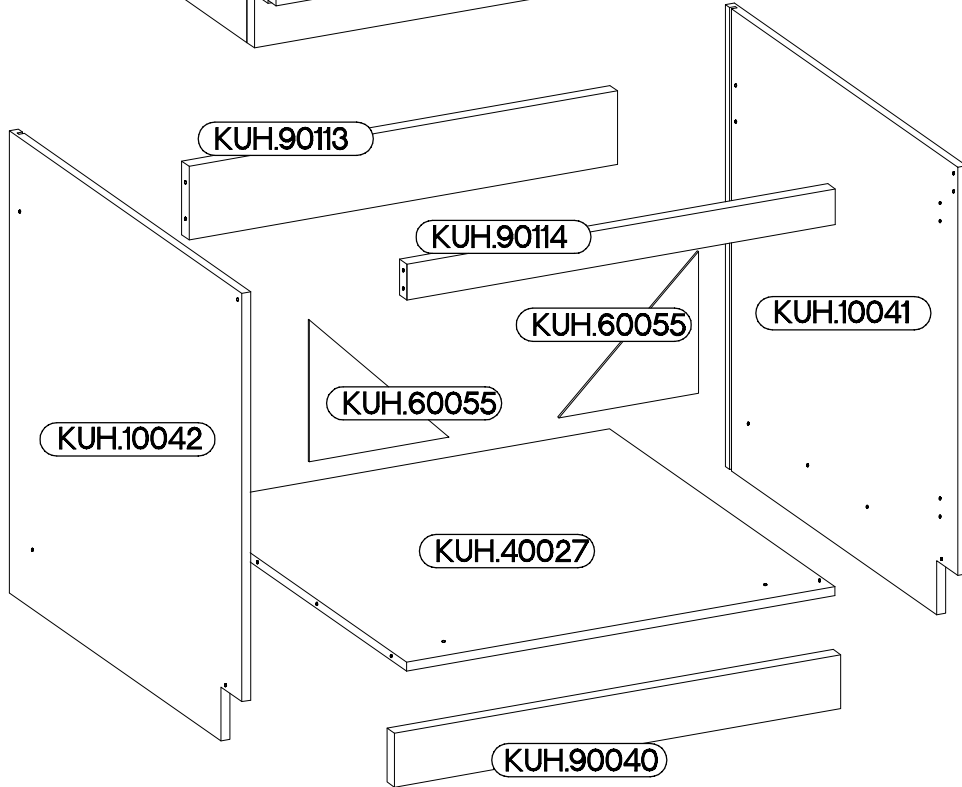
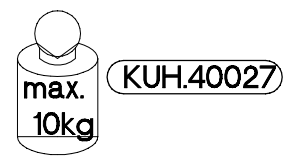
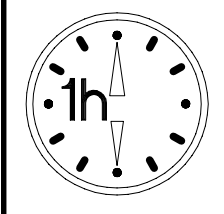
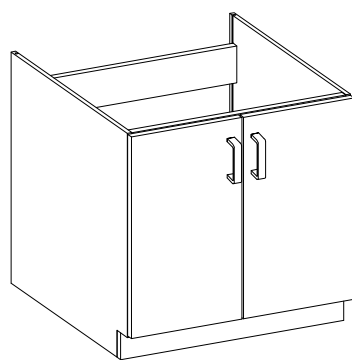
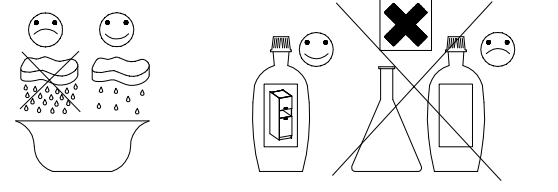
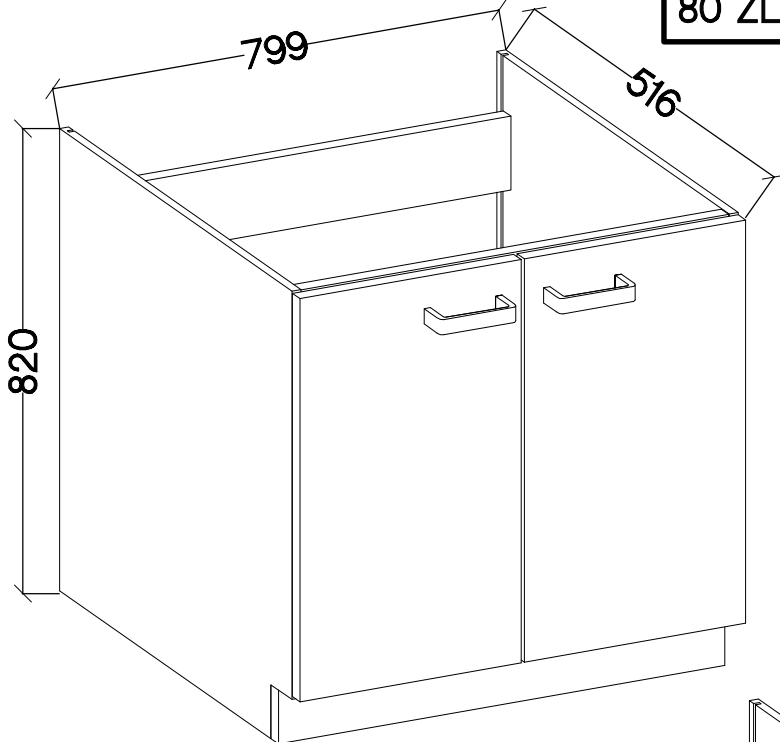


13

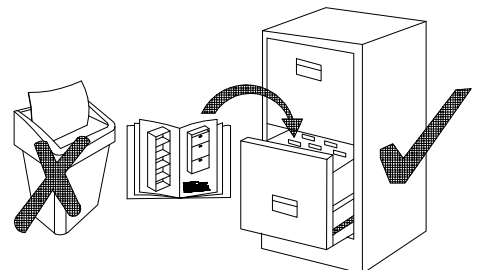




80 ZL 2F BB

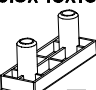
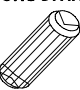
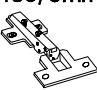



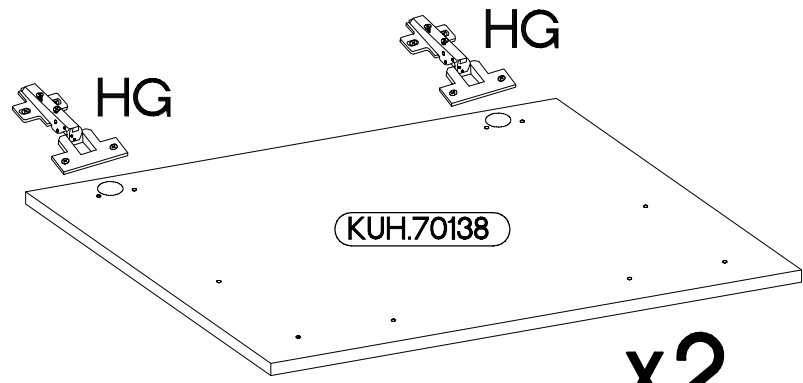
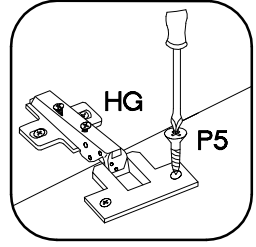
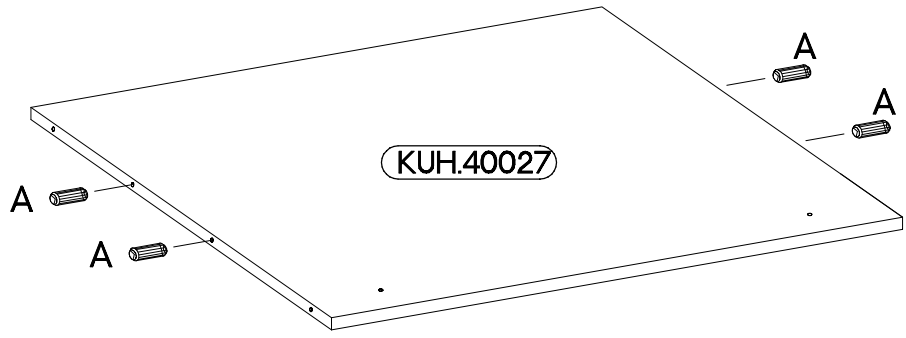
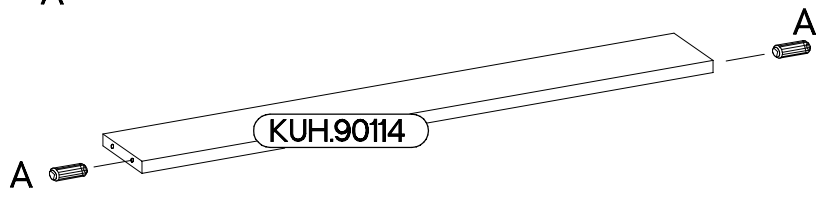
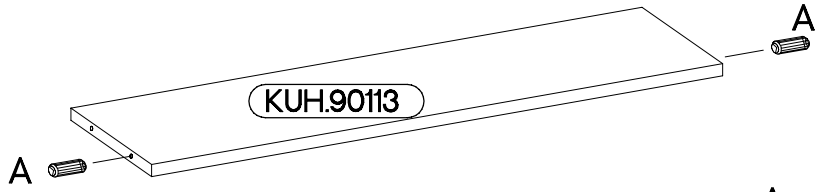
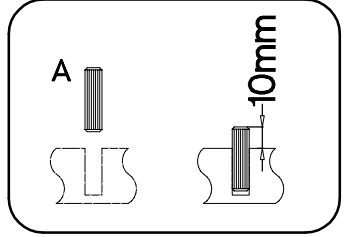
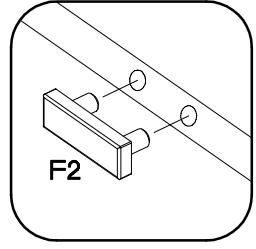
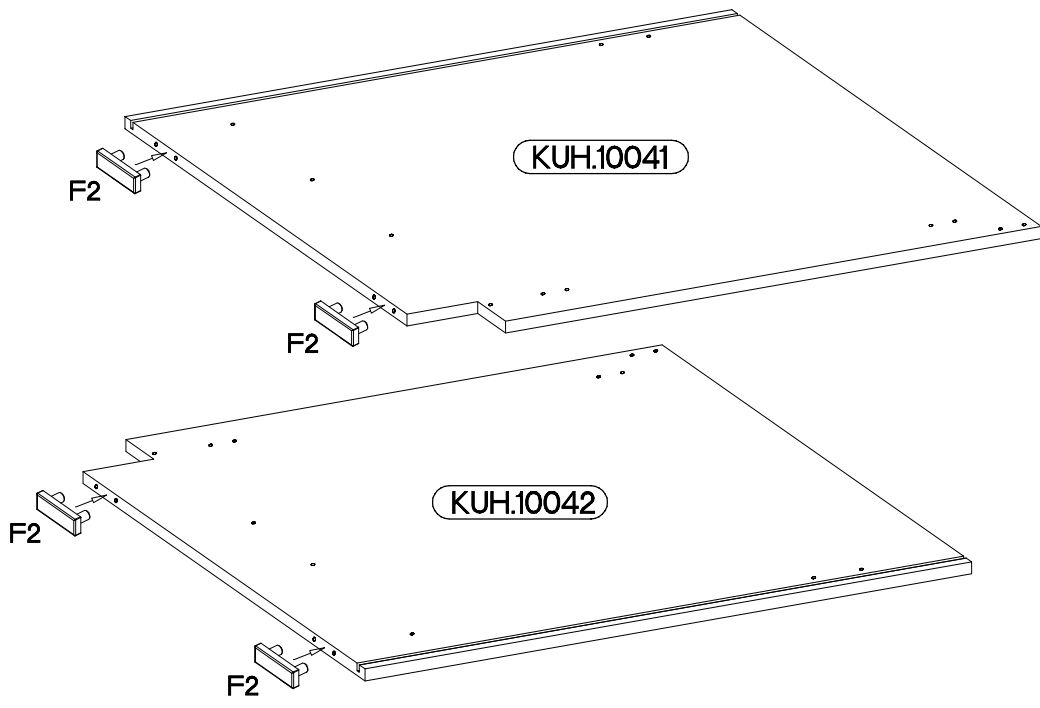
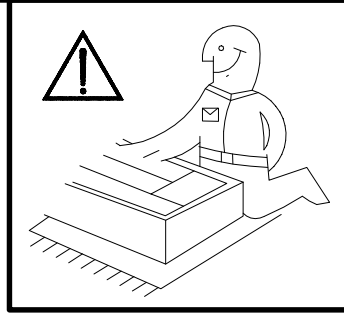
<p>±8x30mm A 8</p>	<p>6,4 x 50mm B 8</p>	<p>E1 8</p>	<p>E9 2</p>	<p>6.5x48x16 F2 4</p>	<p>±35/0mm HG 4</p>
<p>O 1</p>	<p>±4.0x45mm P4 2</p>	<p>±3.5x13mm P5 8</p>	<p>±3.0x20mm P7 4</p>	<p>S23 2</p>	<p>M4x22mm U 4</p>



ISM-KUH-00927

1

6.5x48x16  F2 4	±8x30mm  A 8	±35/0mm  HG 4	±3.5x13mm  P5 8
--	---	--	--



x2

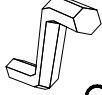
2

6,4 x 50mm



B

4



O

1



E1

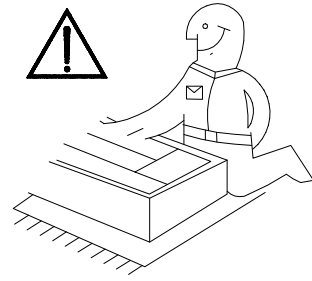
4

KUH.90113

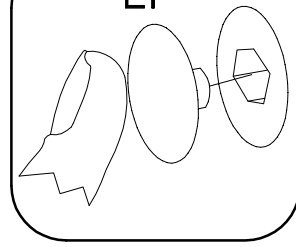
KUH.10042

KUH.90114

KUH.40027



E1



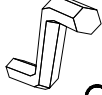
3

6,4 x 50mm



B

4



O

1



E1

4

KUH.90113

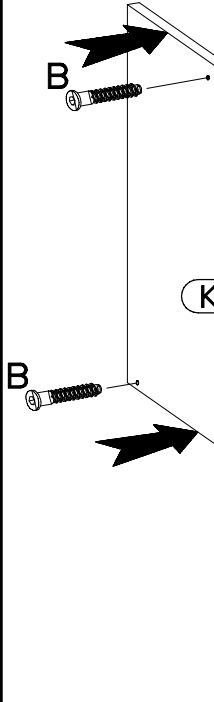
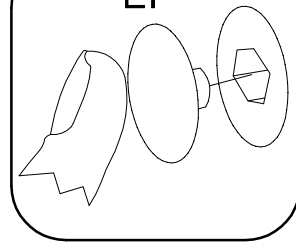
KUH.10042

KUH.10041


KUH.90114

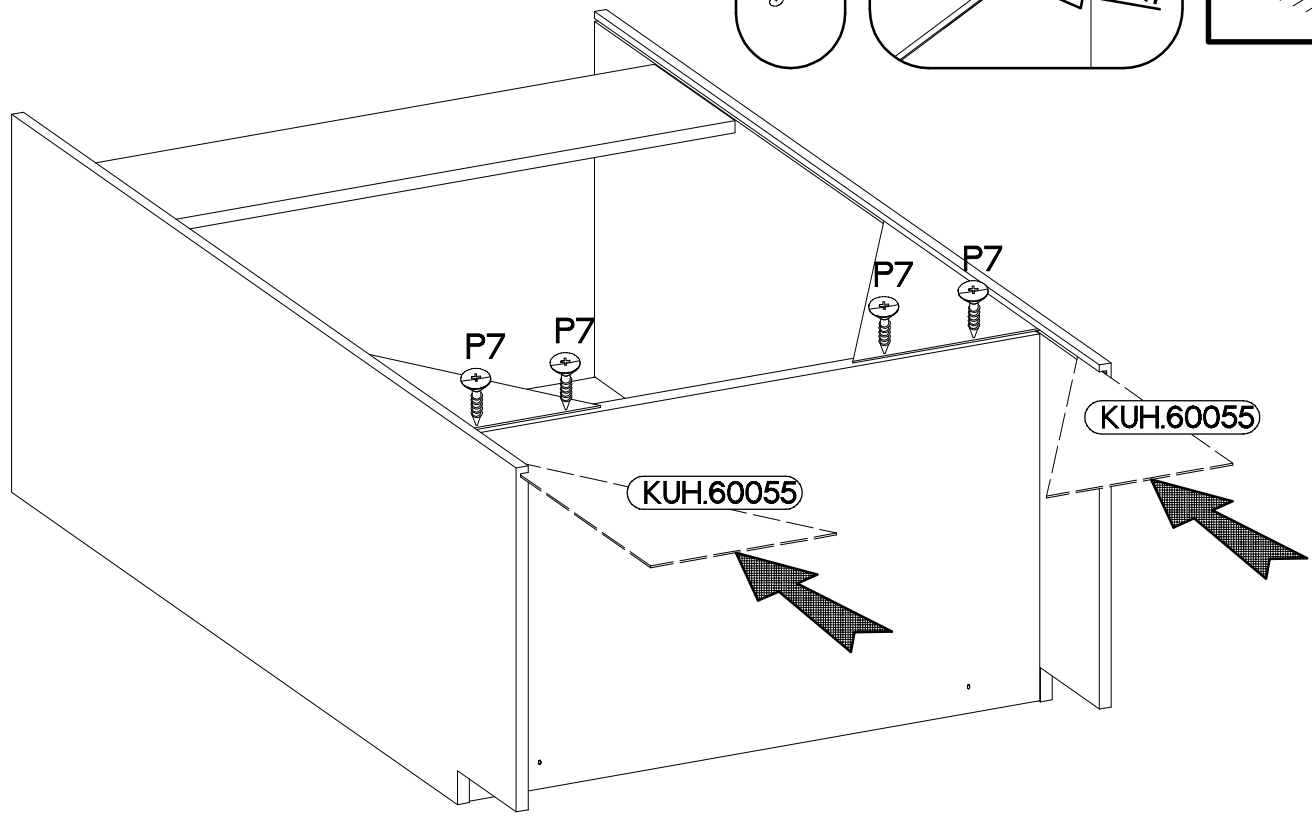
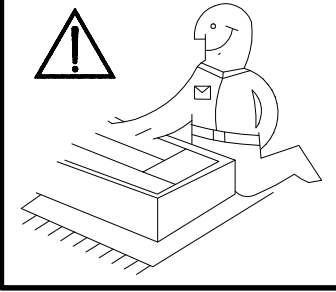
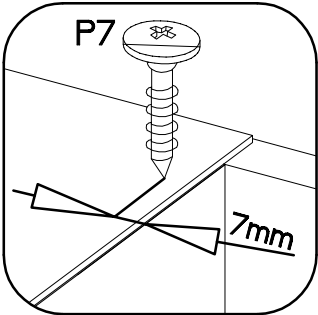
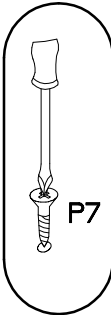
KUH.40027

E1





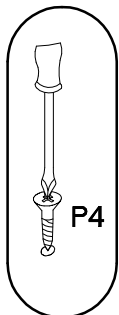
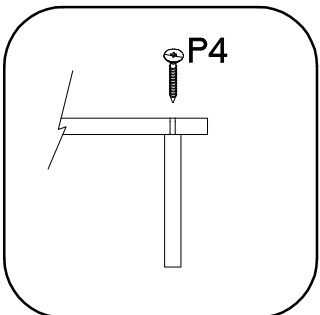
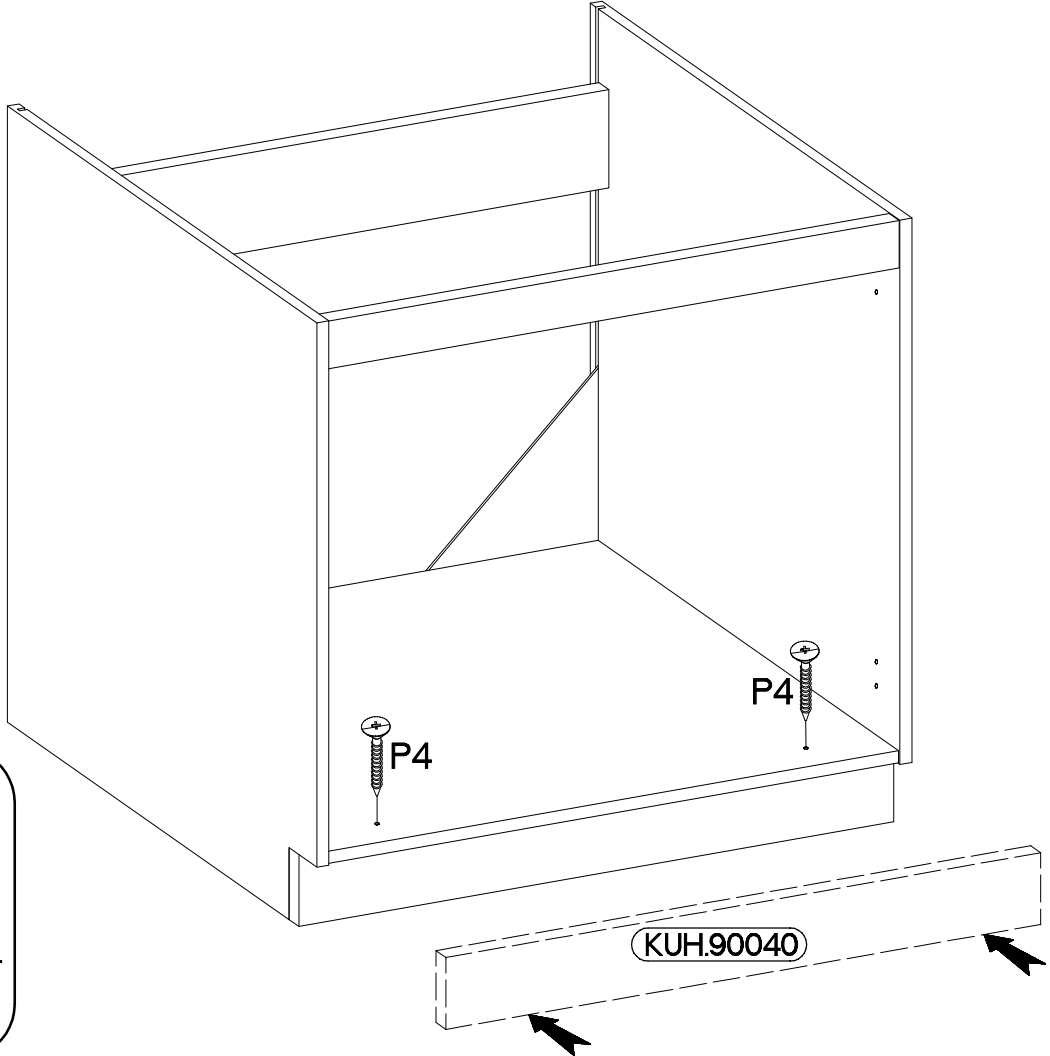
4

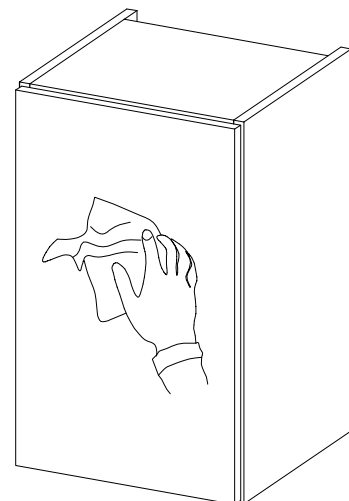
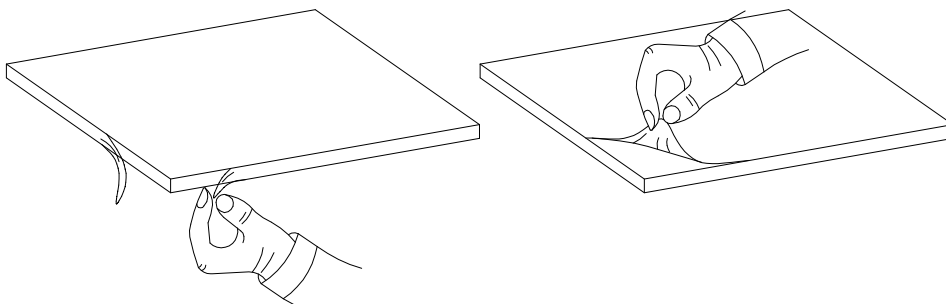
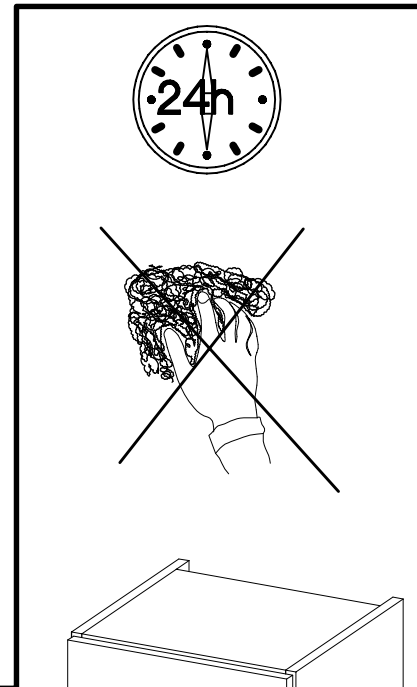
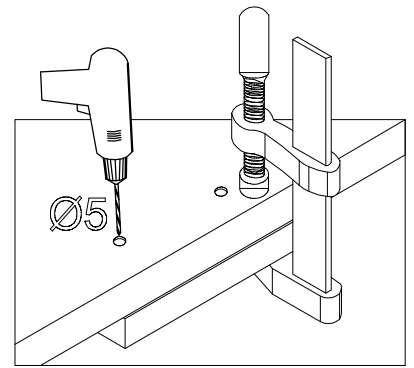
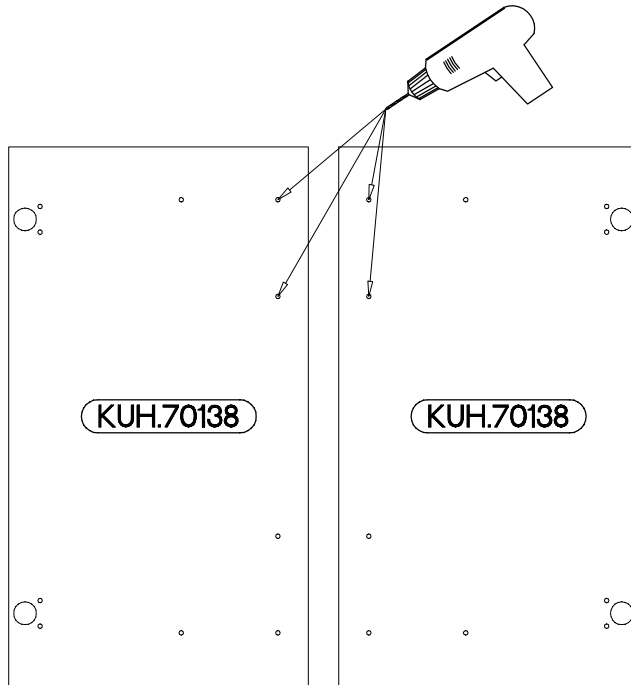
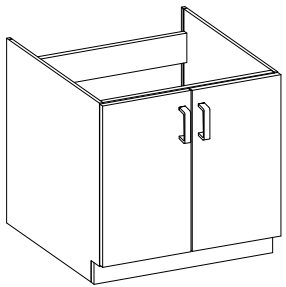
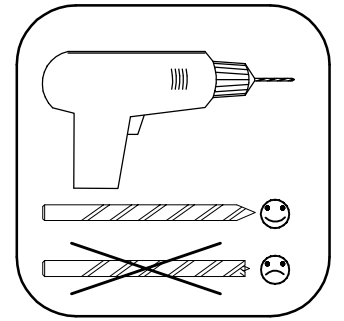
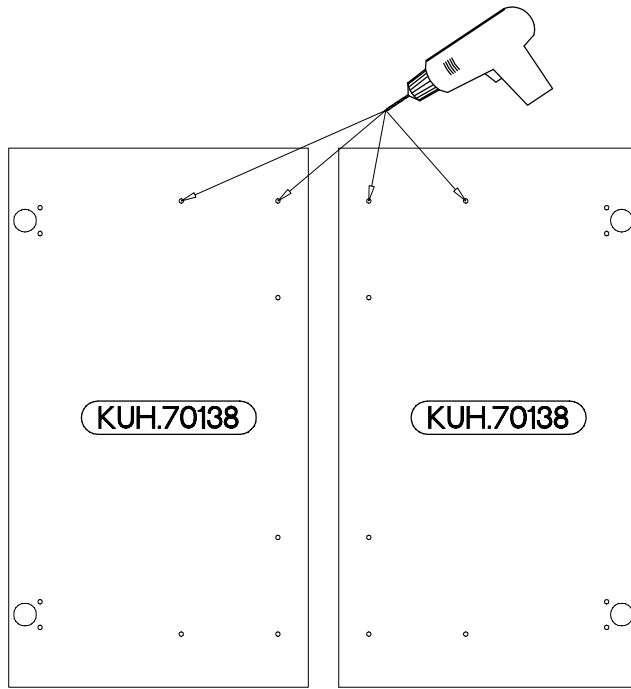
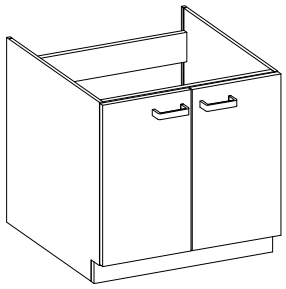
φ3.0x20mm

P7
4





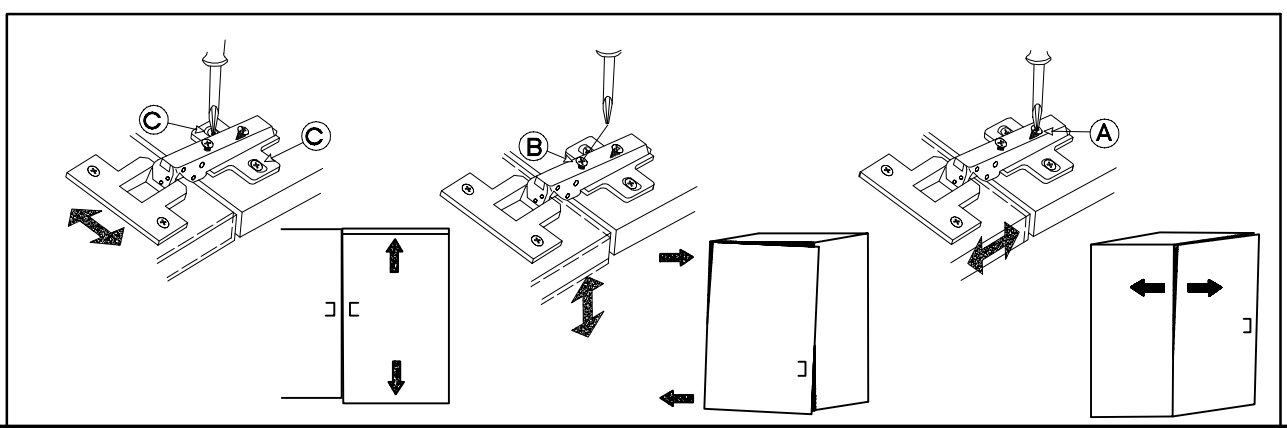
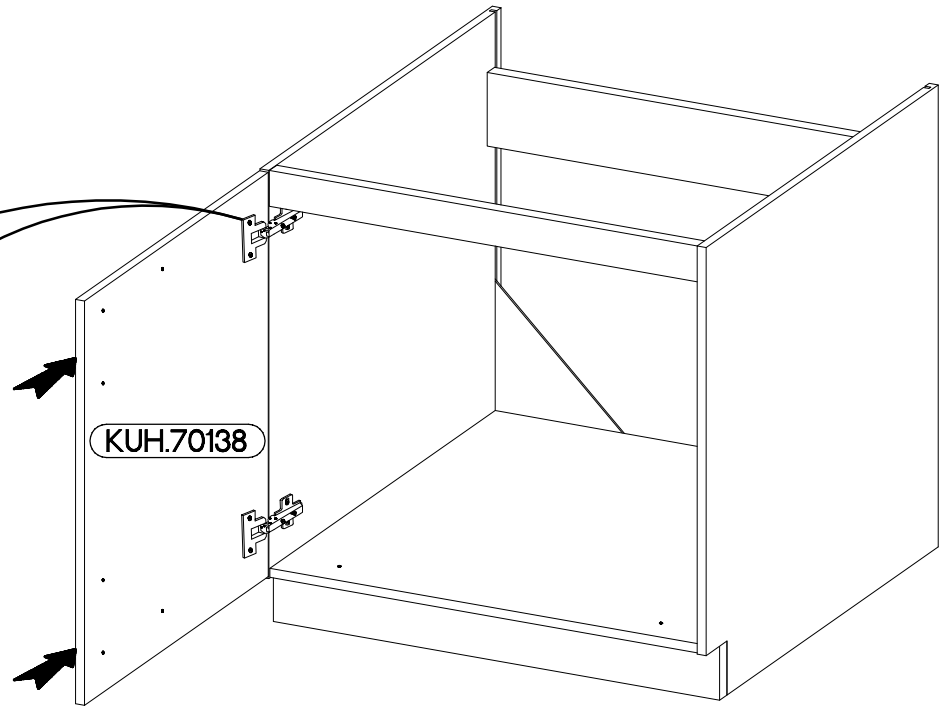
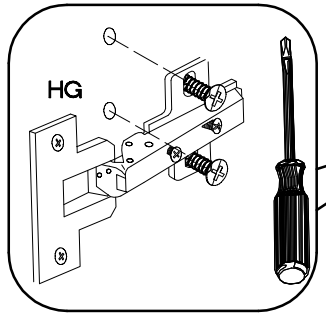
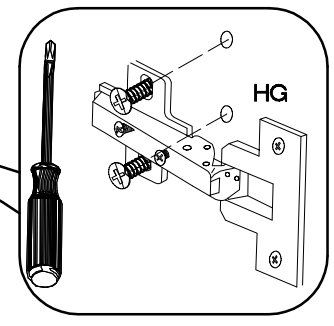
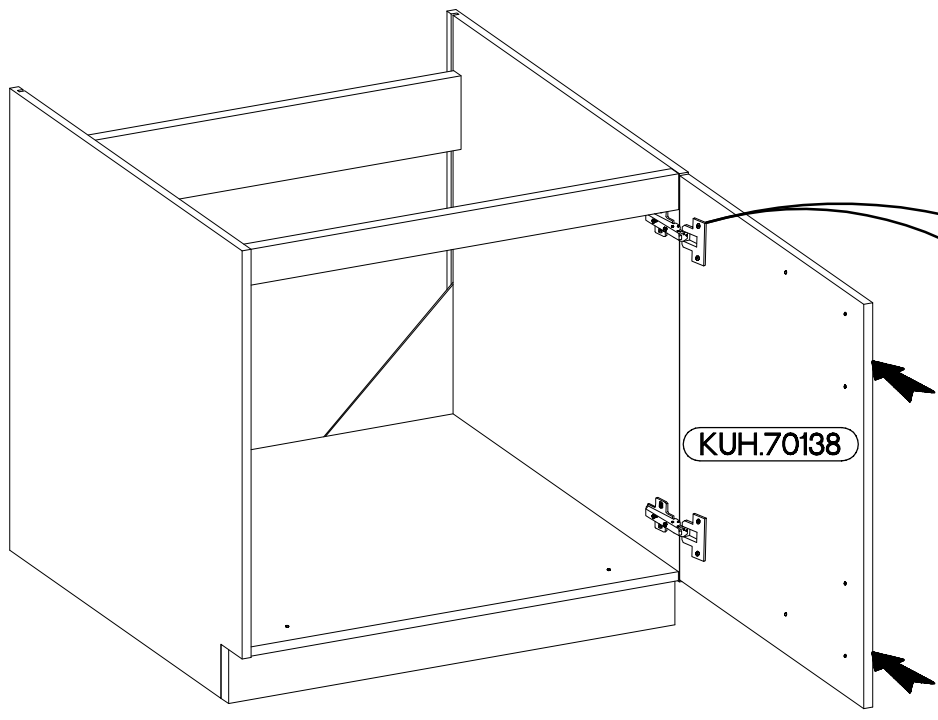
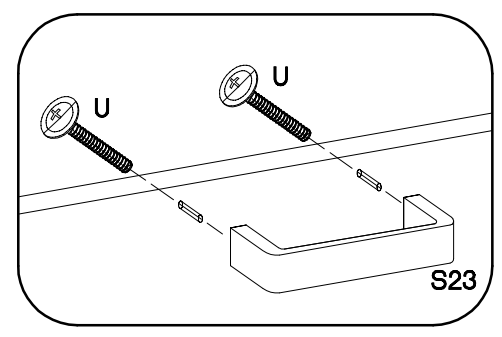
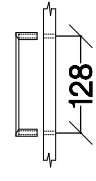
5

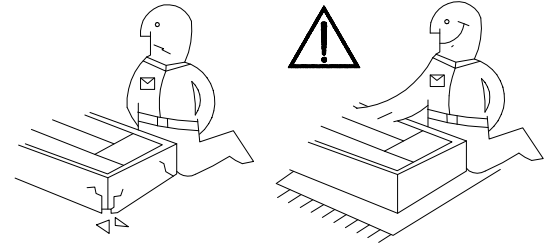
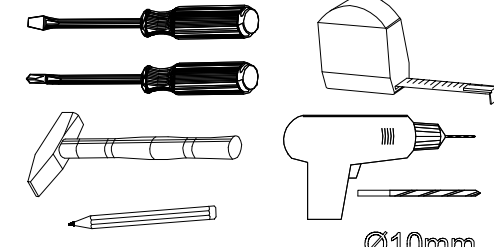
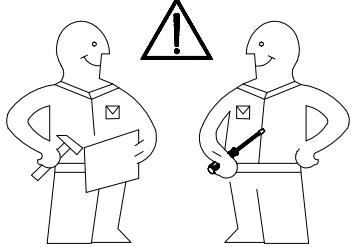
φ4.0x45mm	
	E9
2	2



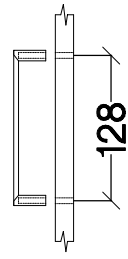
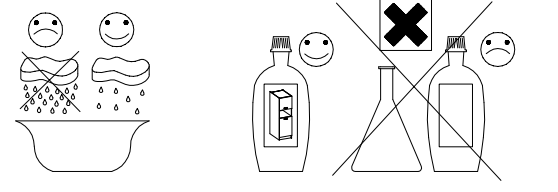
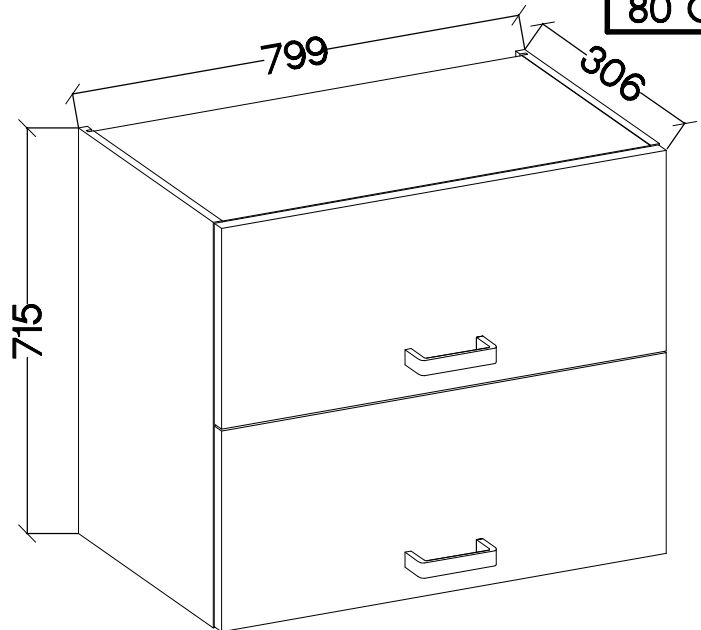


M4x22mm	
	
U	S23
4	2



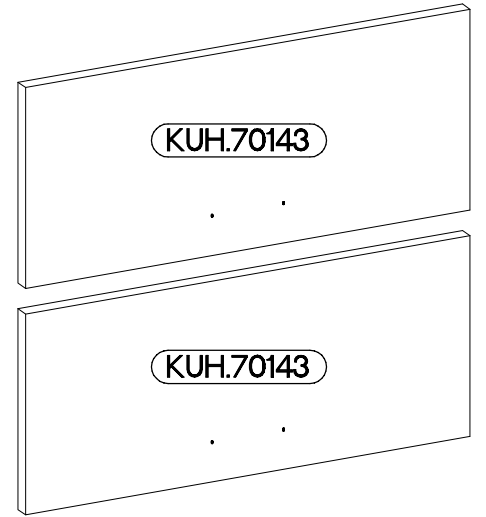
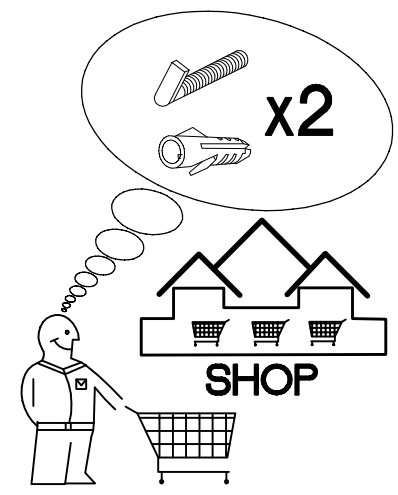
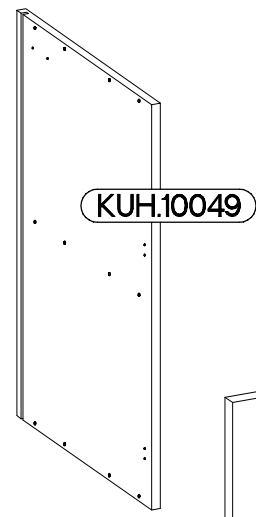
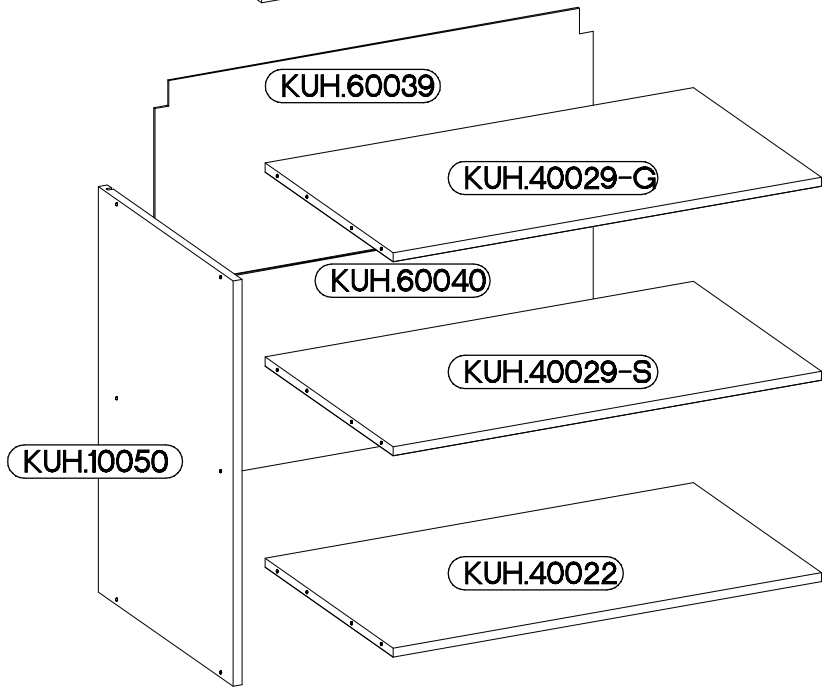


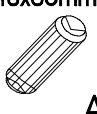


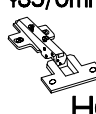
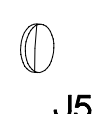
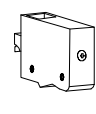
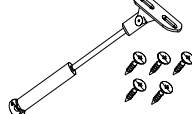
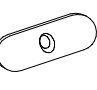
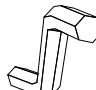



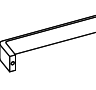

80 GU-72 2F

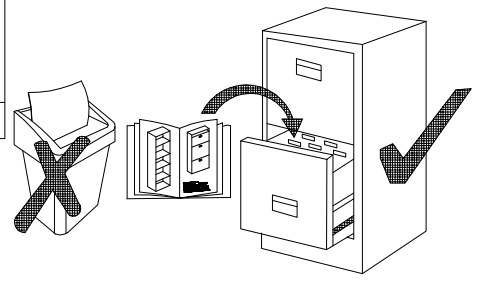


max. 5kg

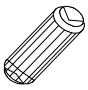
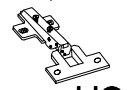

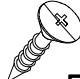
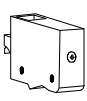
KUH.40029
KUH.40022

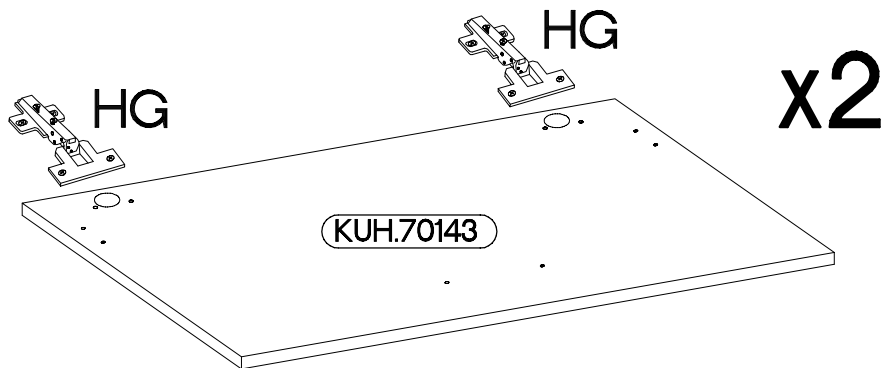
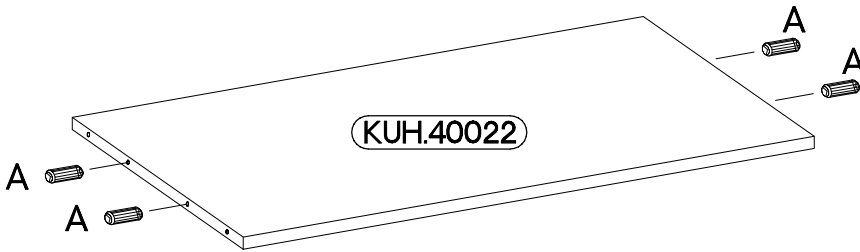
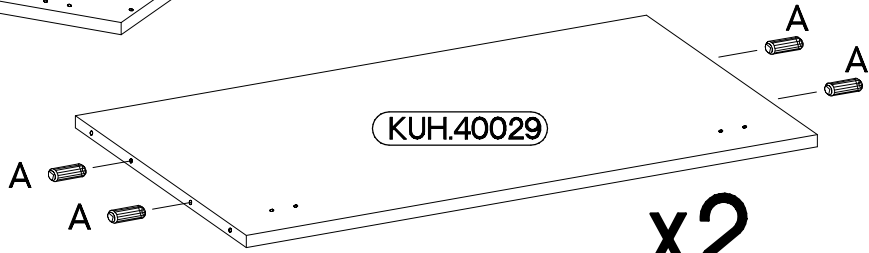
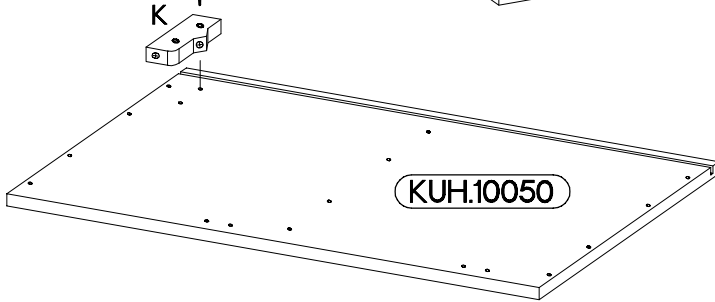
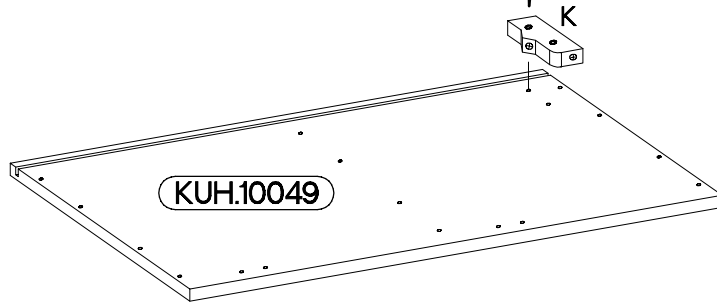
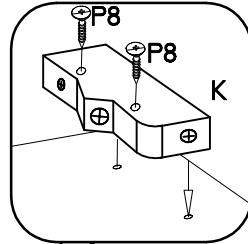
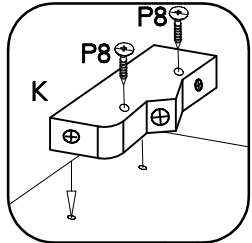
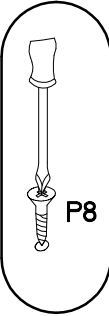
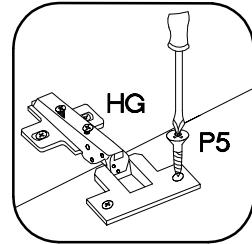
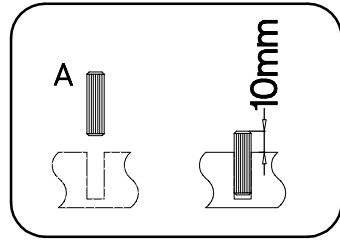
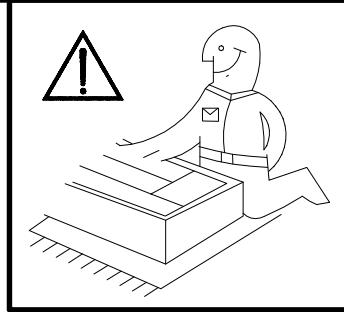


 A 12	 B 12	 E1 12	 HG 4	 J5 4	 K 2	 K24 4
 L2 5	 O 1	 P5 8	 P7 10-15	 P8 4	 S23 2	 U 4

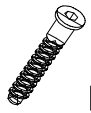
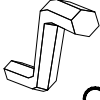



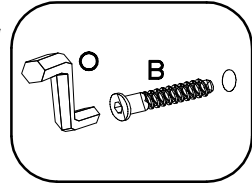
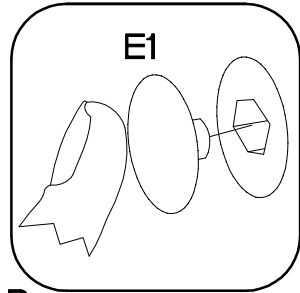
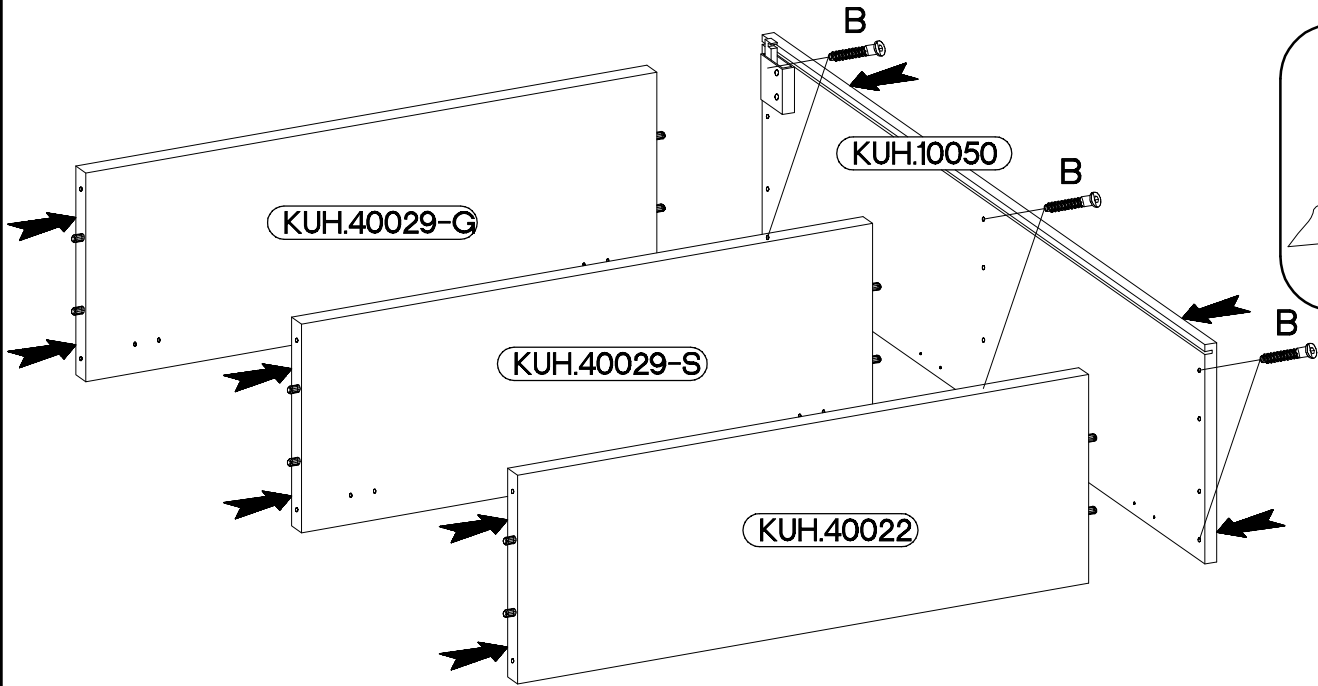
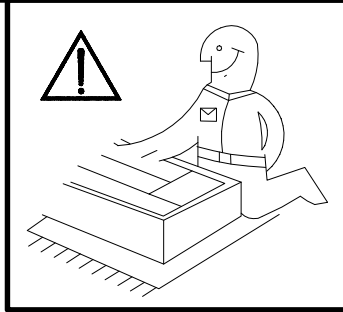
ISM-KUH-00926

±8x30mm	±35/0mm	±3.5x13mm	±4.0x30mm	
				
A	HG	P5	P8	K
12	4	8	4	2


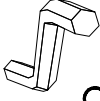



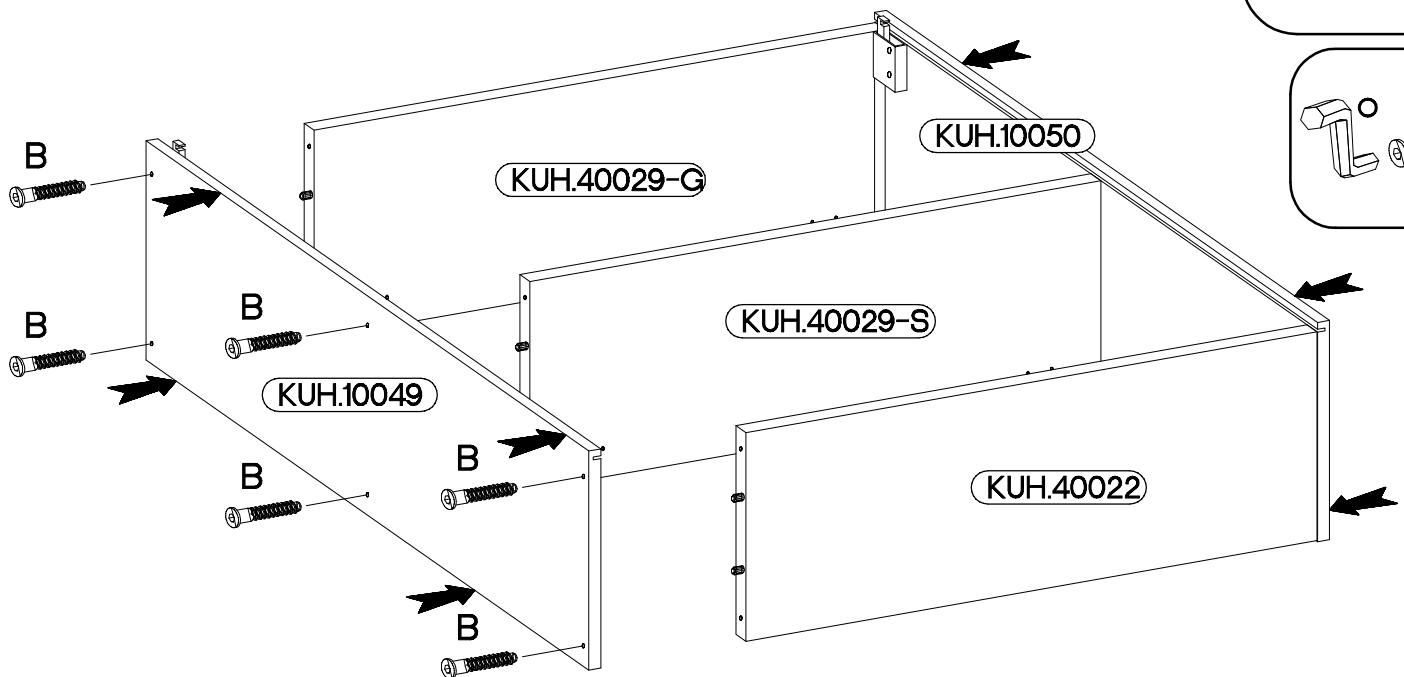
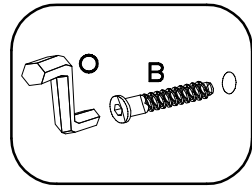
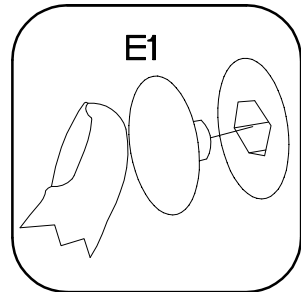
2

6,4 x 50mm		
		
B	O	E1
6	1	6

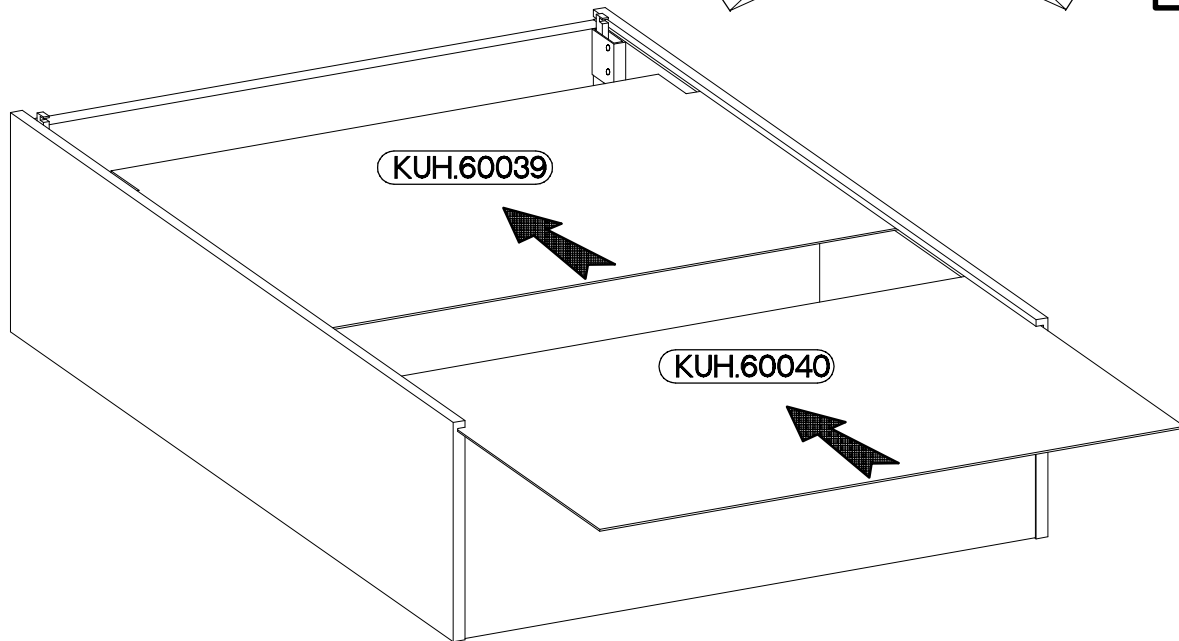
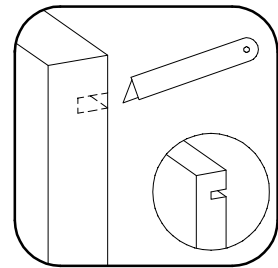
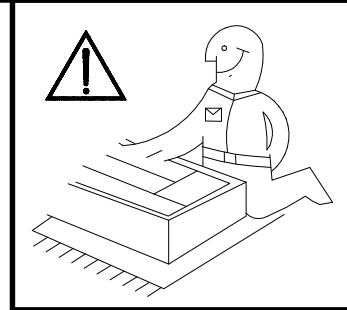
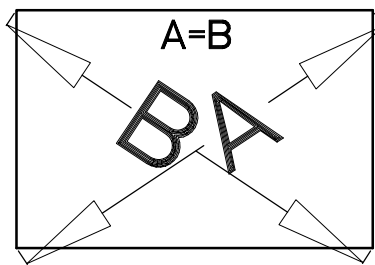


3

6,4 x 50mm		
		
B	O	E1
6	1	6

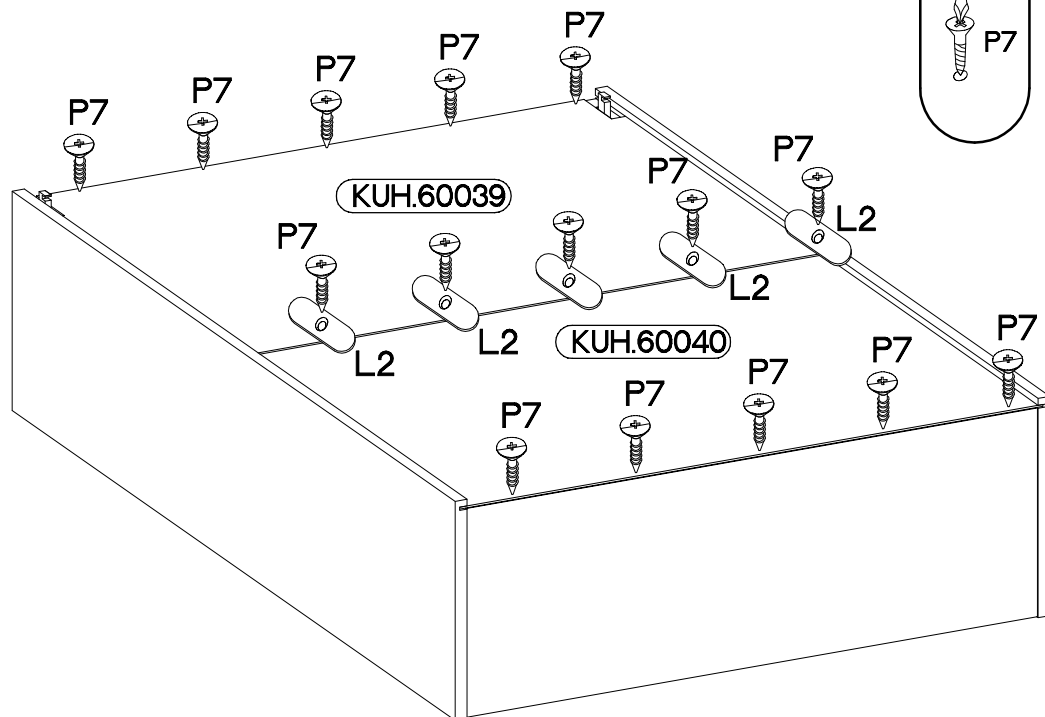
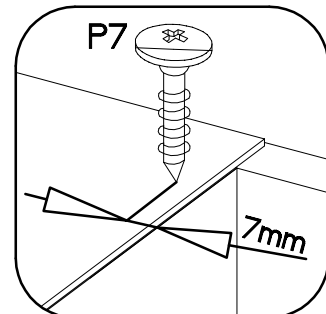
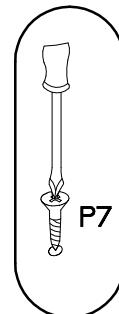


4

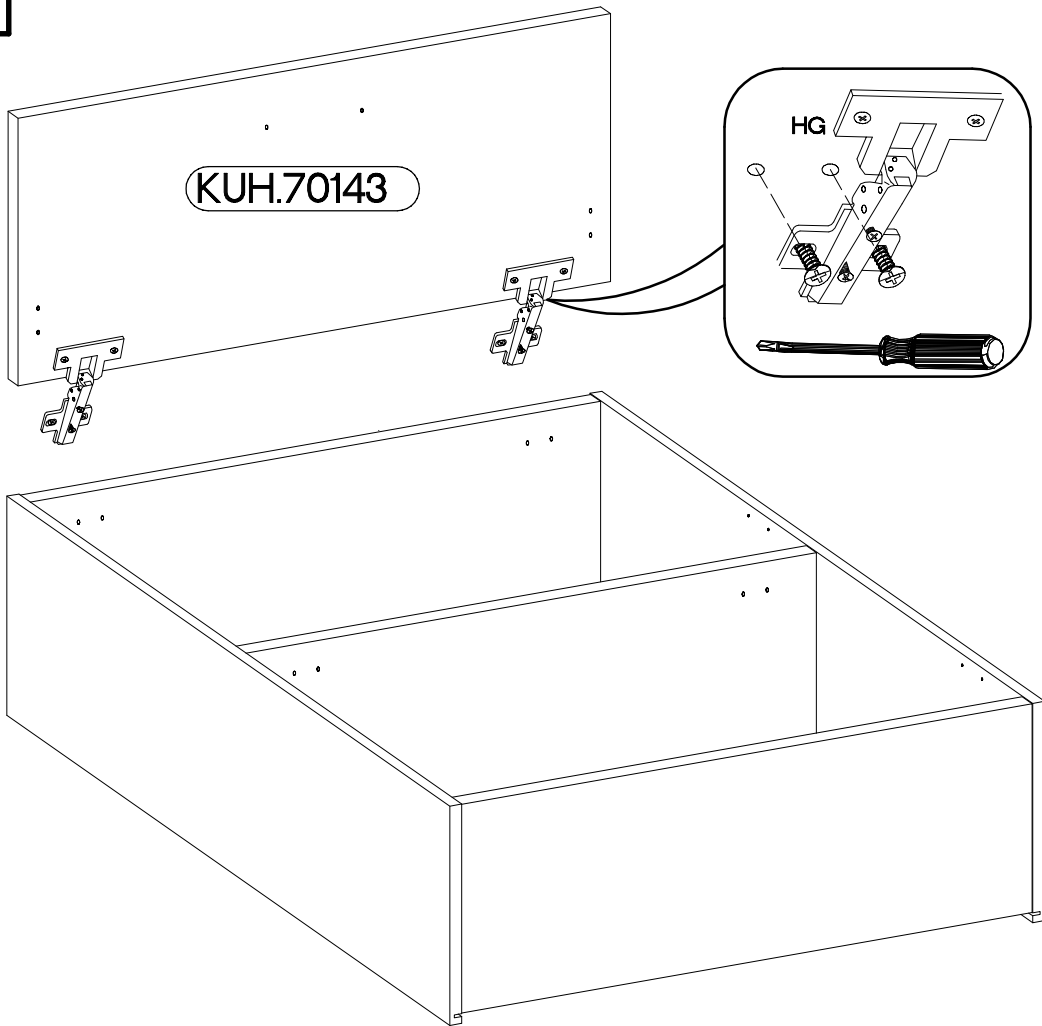
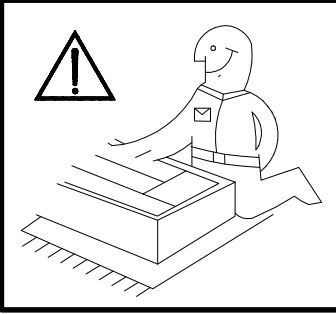


5

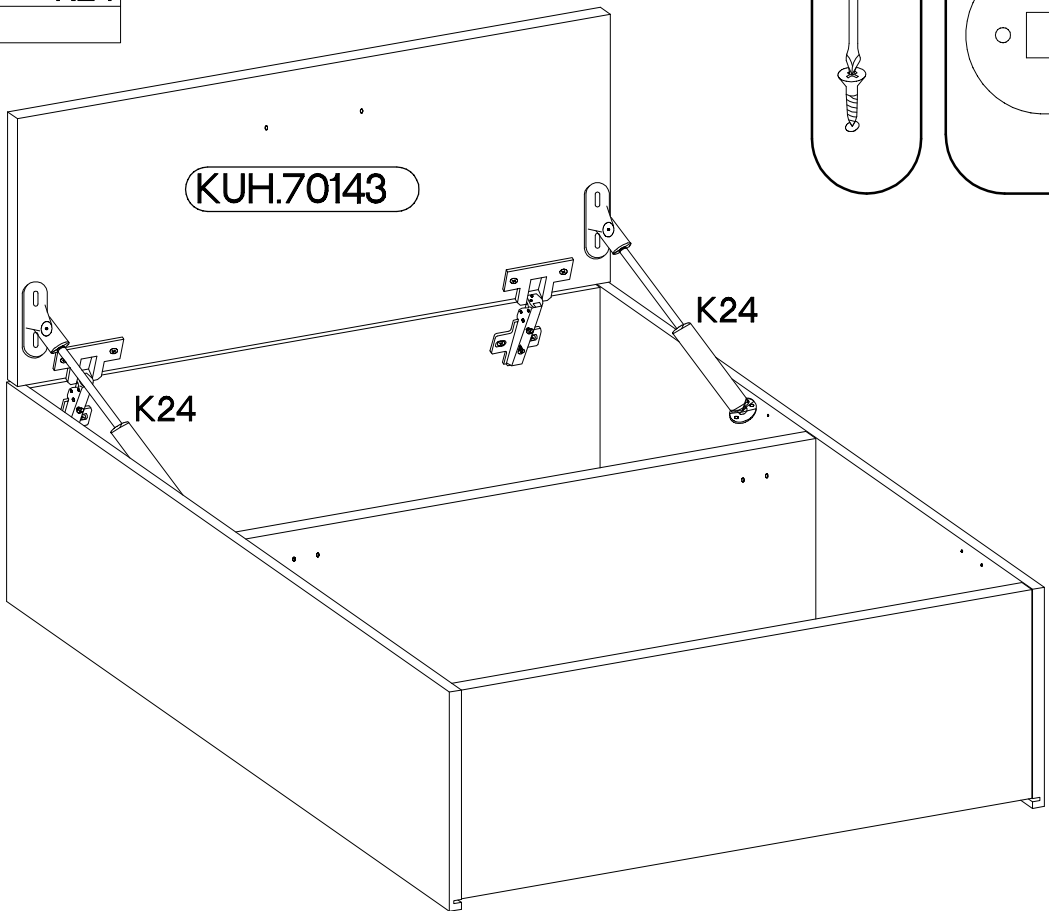
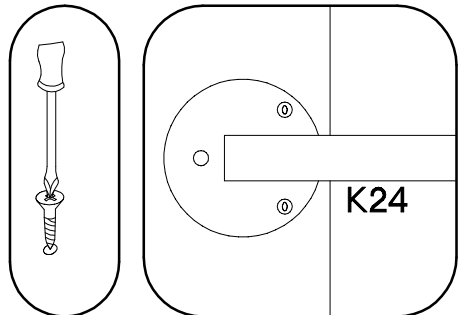
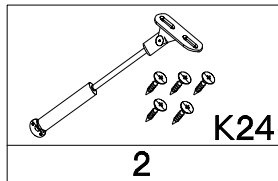
†3.0x20mm P7 10-15	 L2 5
------------------------------	-------------



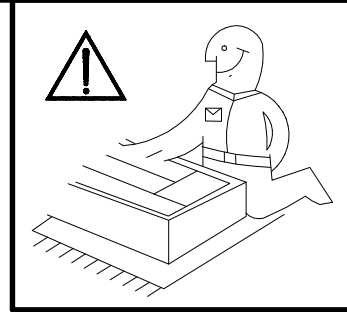
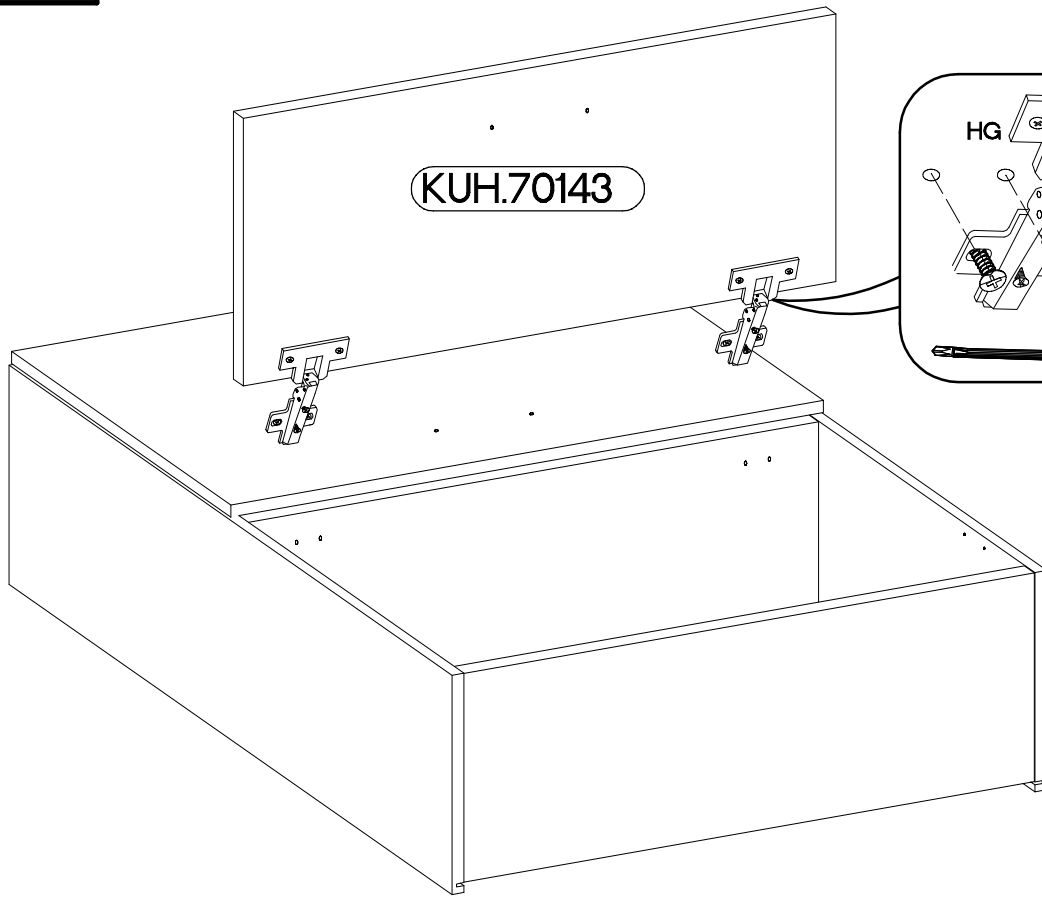
6



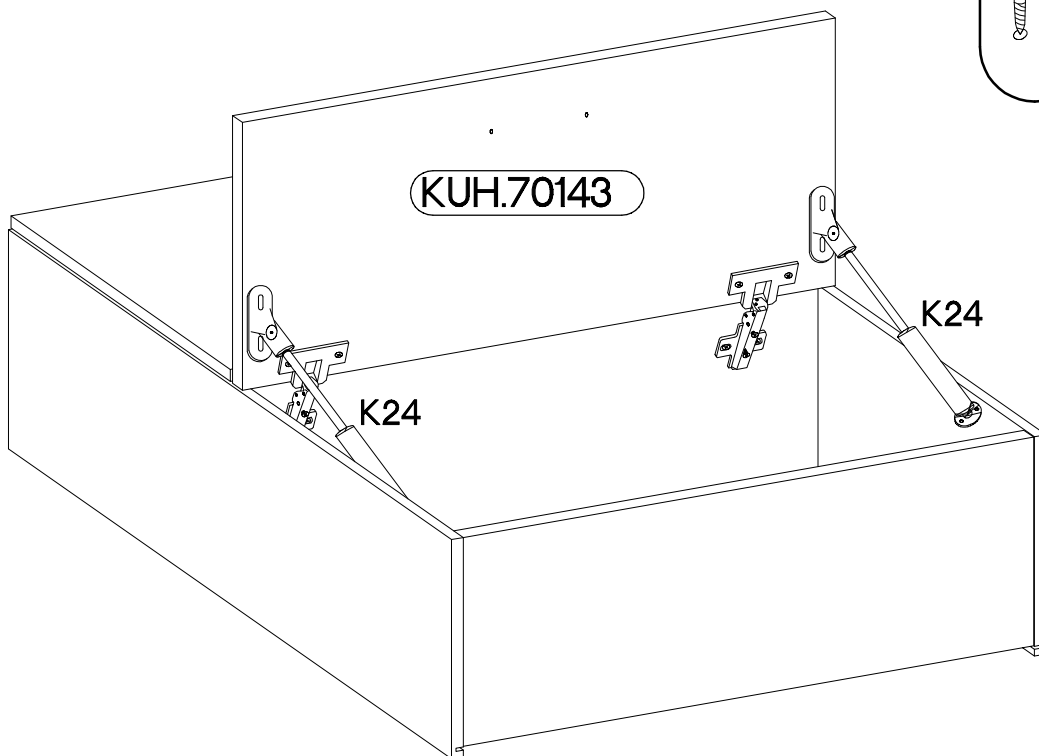
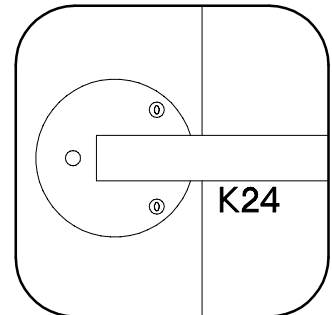
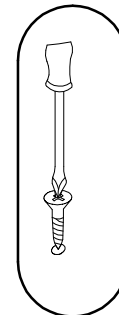
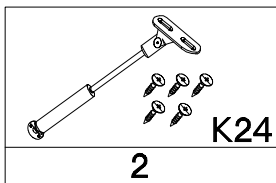
7






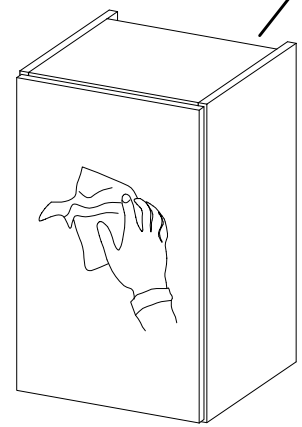
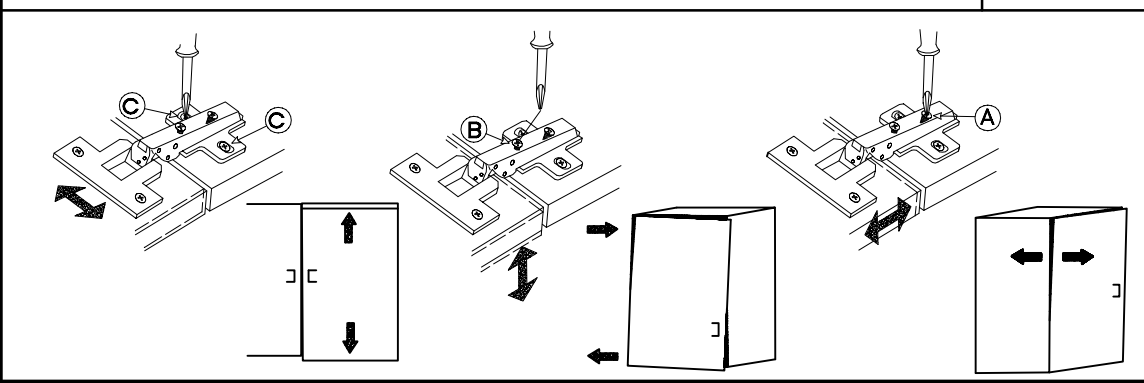
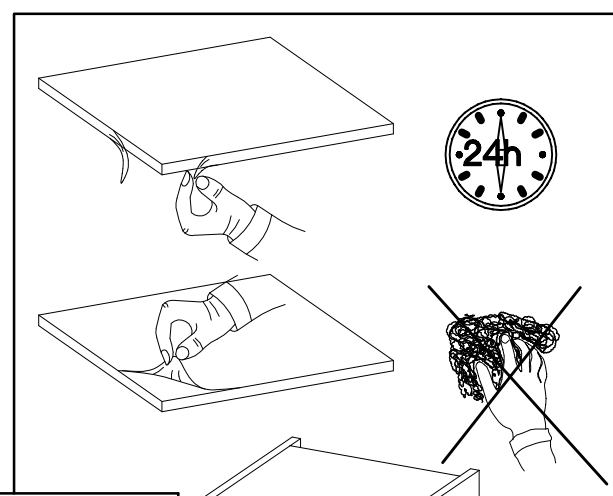
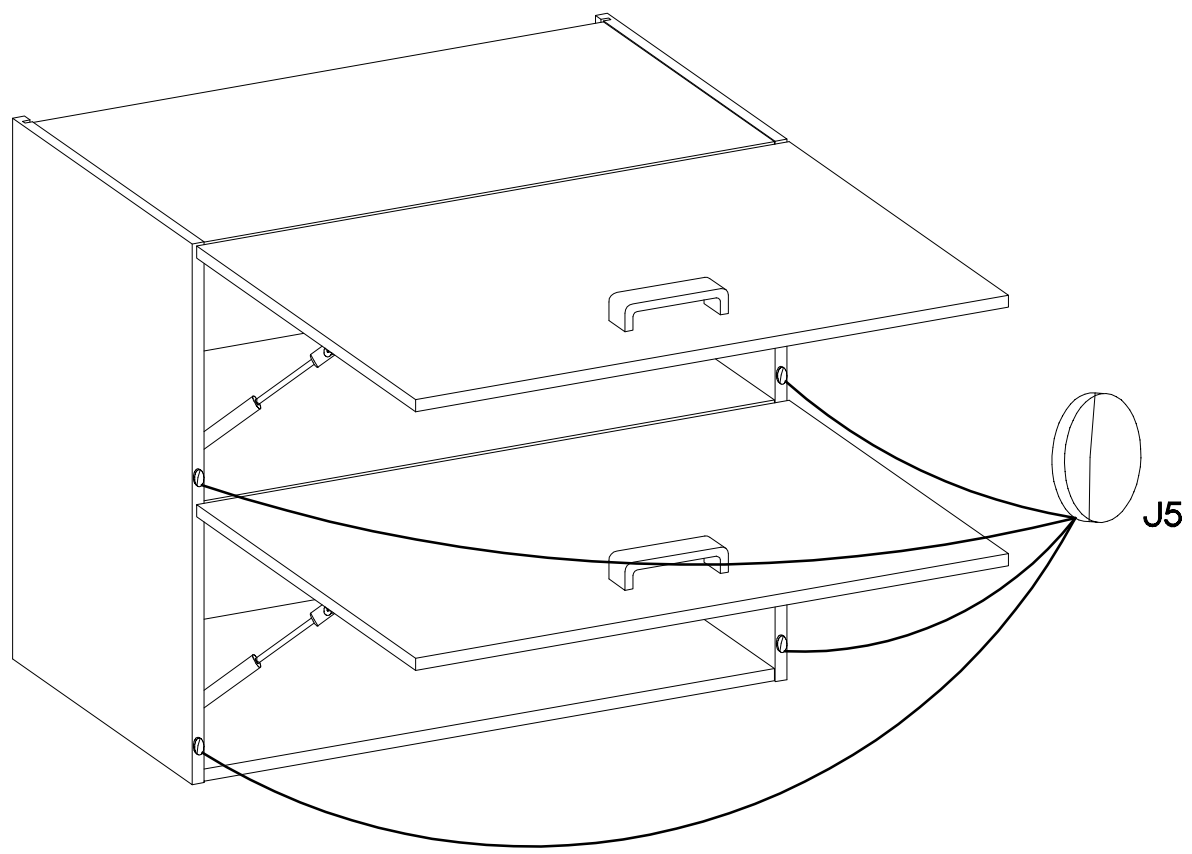
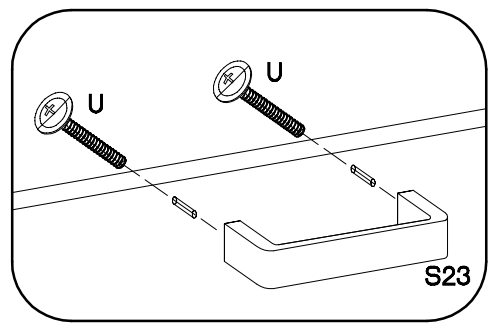
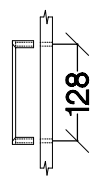
8

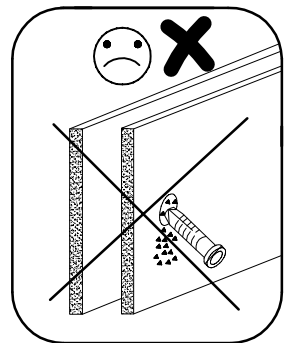
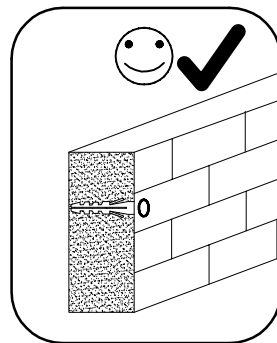
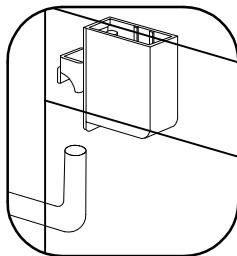
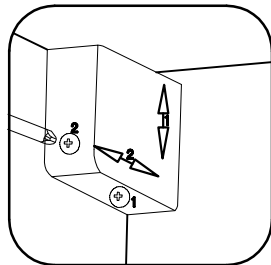
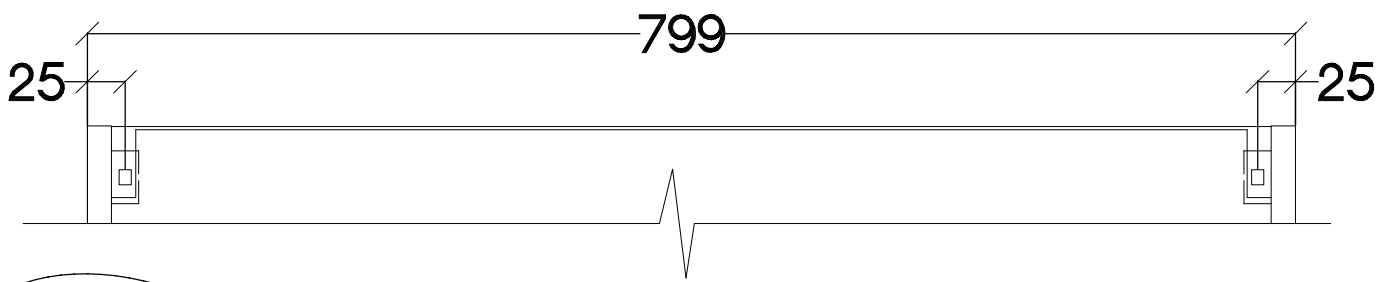
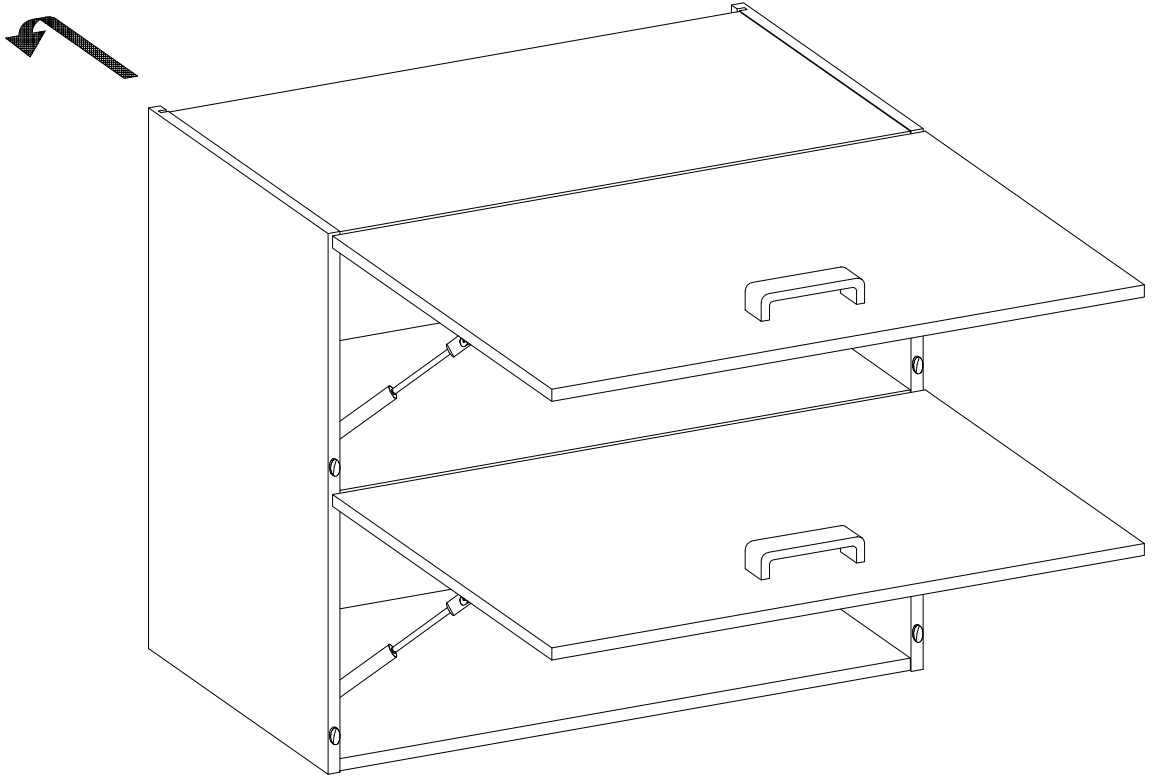
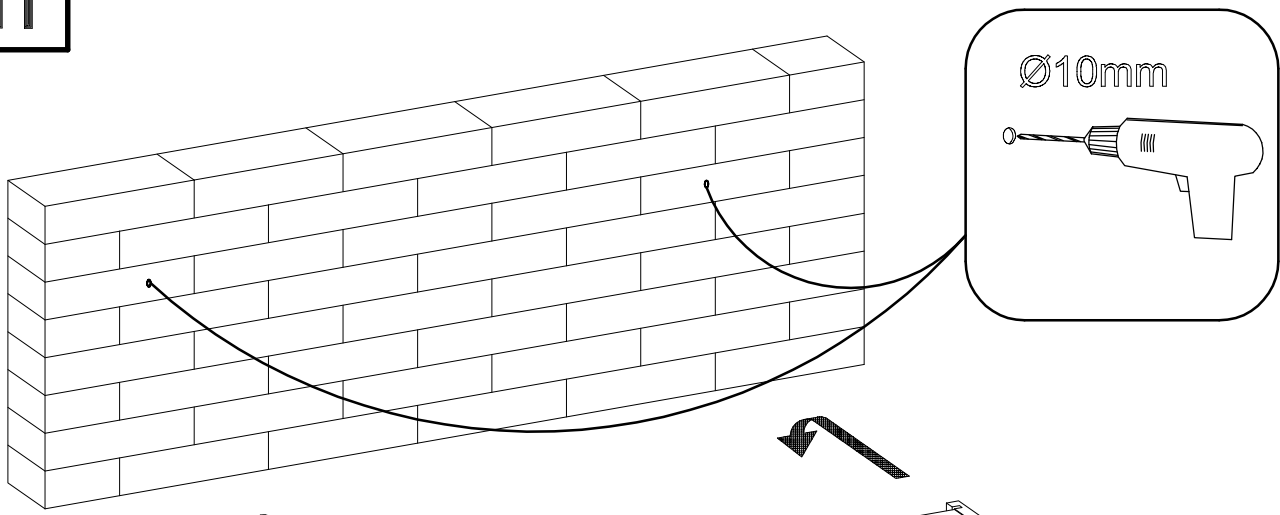


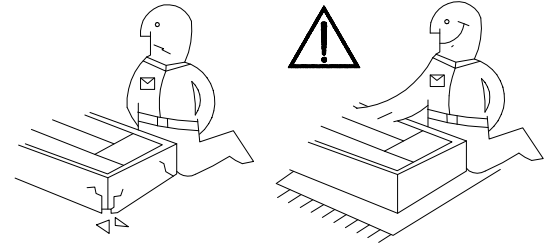
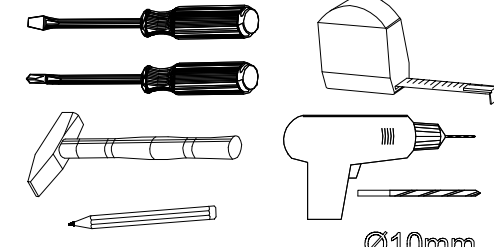
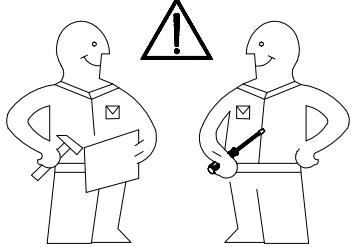
9



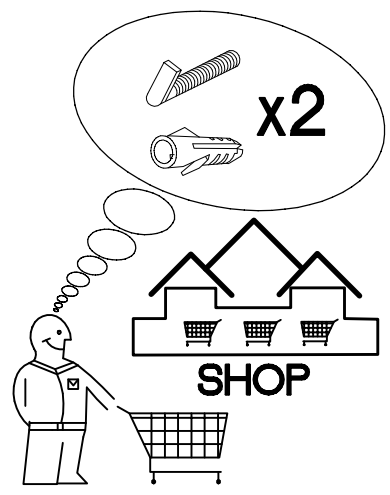
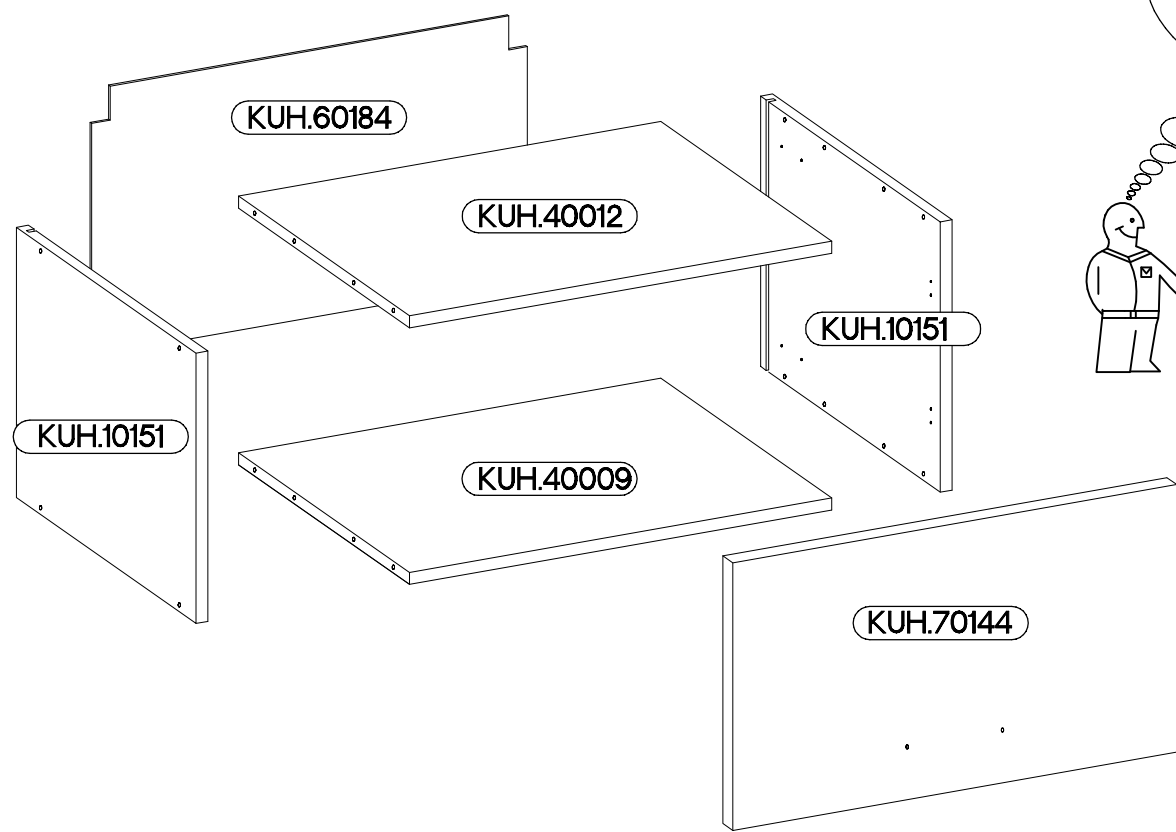
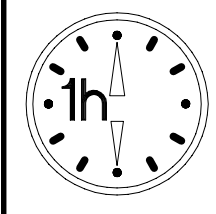
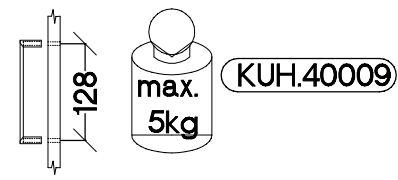
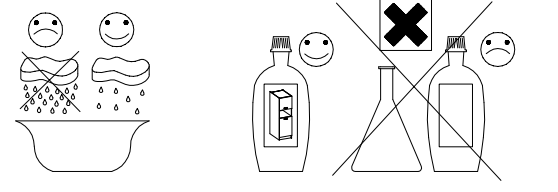
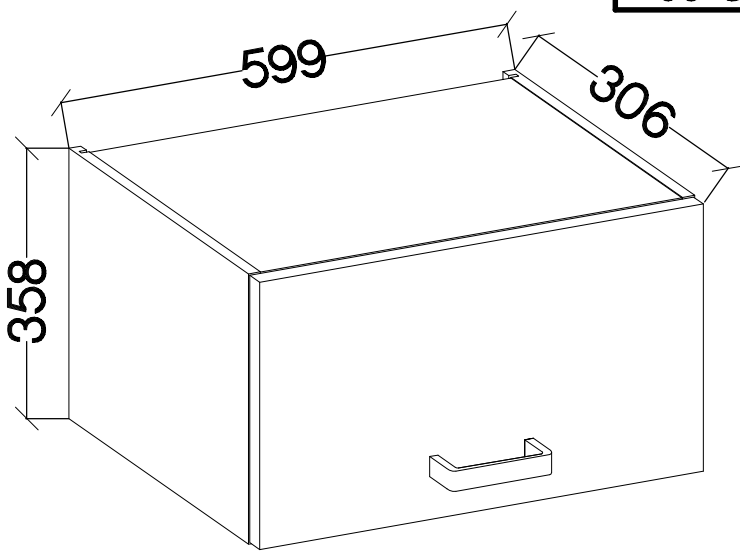
M4x22mm			
	U	S23	J5
	4	2	4



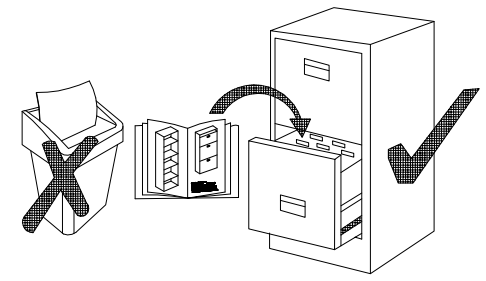




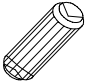
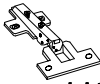



60 GU-36

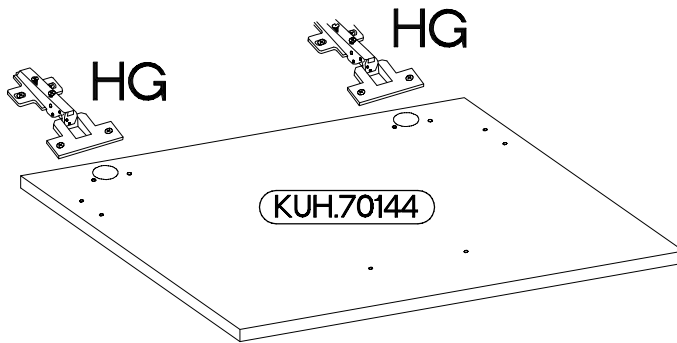
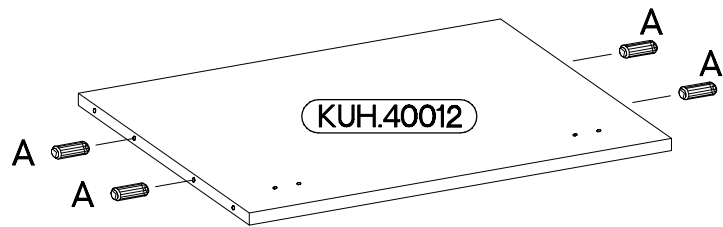
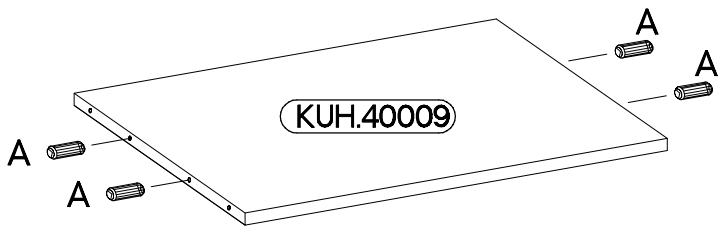
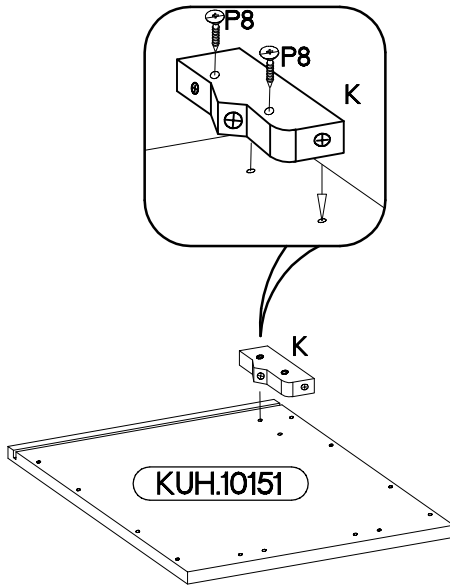
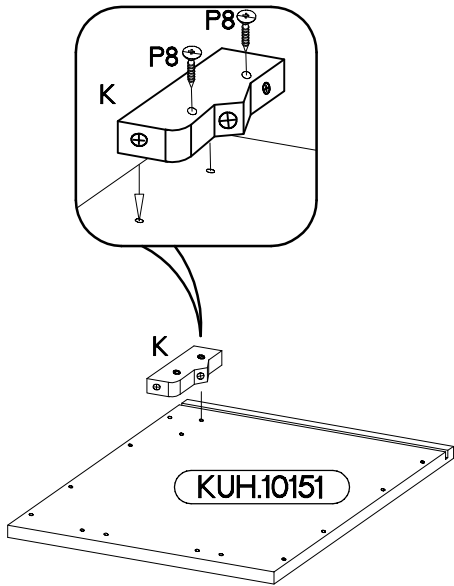
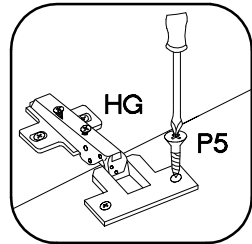
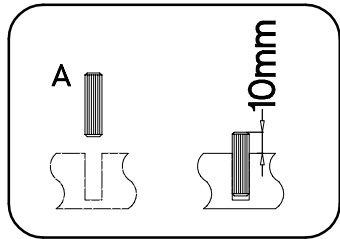
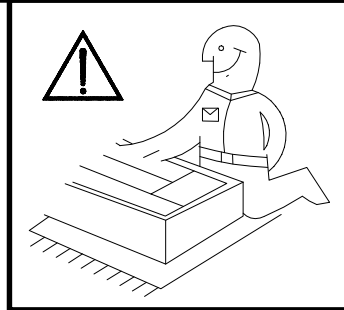


<p>±8x30mm A</p>	<p>6,4 x 50mm B</p>	<p>E1</p>	<p>±35/0mm HG</p>	<p>K</p>	<p>K24</p>
8	8	8	2	2	2
<p>O</p>	<p>±3.5x13mm P5</p>	<p>±3.0x20mm P7</p>	<p>±4.0x30mm P8</p>	<p>S23</p>	<p>M4x22mm U</p>
1	4	8-10	4	1	2



ISM-KUH-00923

±8x30mm  A 8	±35/0mm  HG 2	±3.5x13mm  P5 4	±4.0x30mm  P8 4	 K 2
---	--	--	--	--



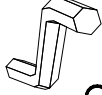
2

6,4 x 50mm



B

4



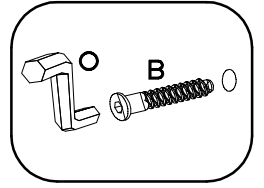
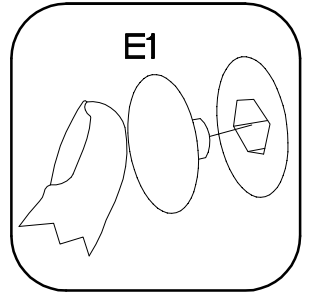
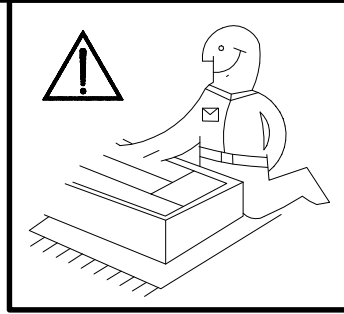
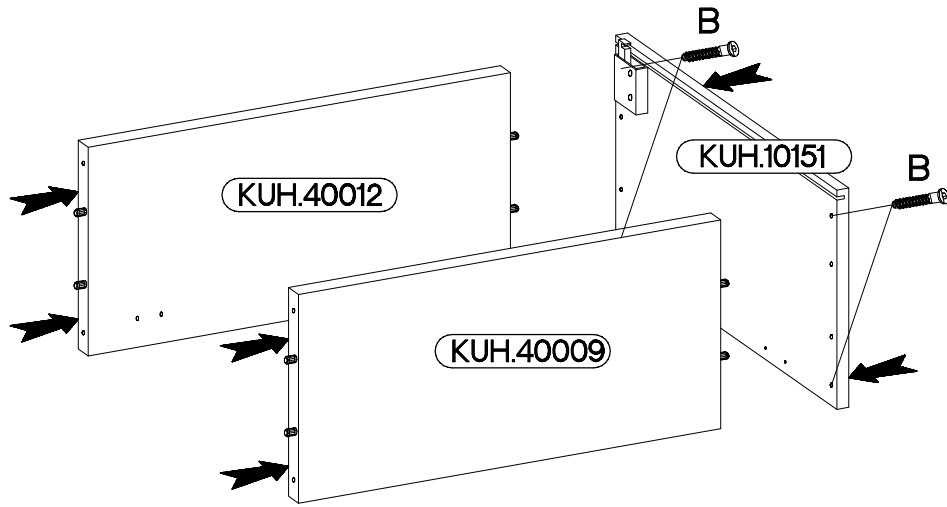
O

1



E1

4



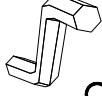
3

6,4 x 50mm



B

4



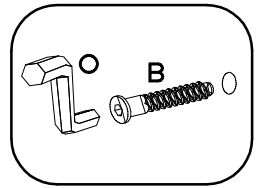
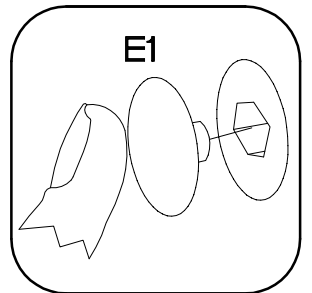
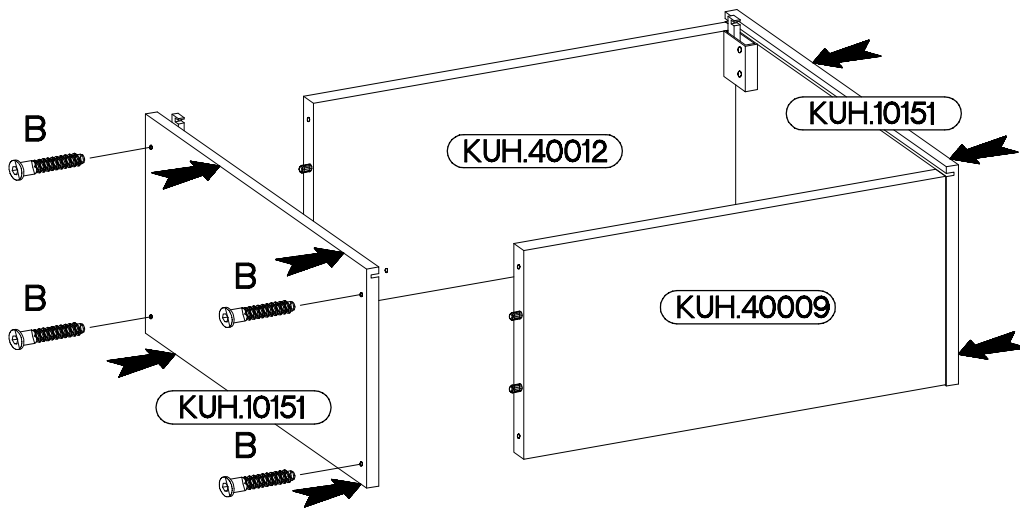
O

1

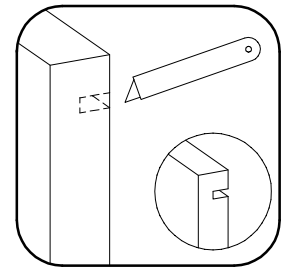
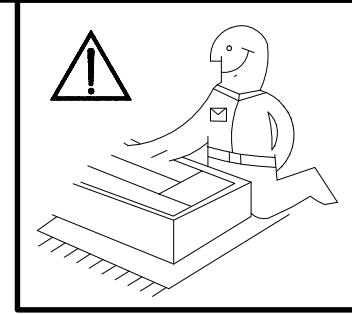
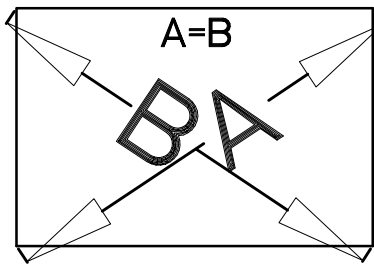
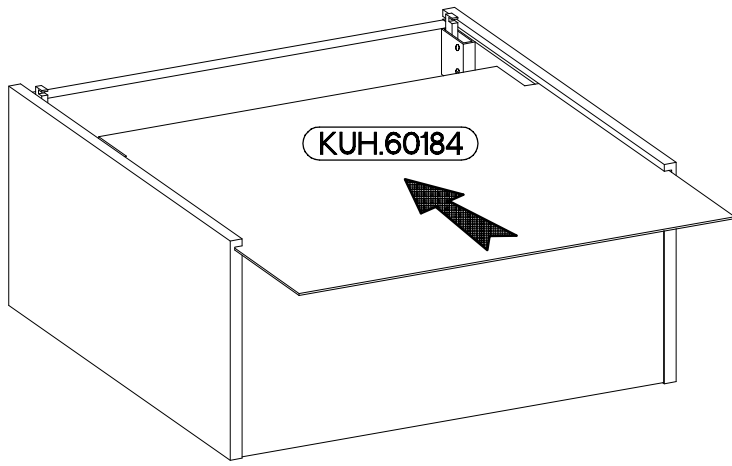


E1

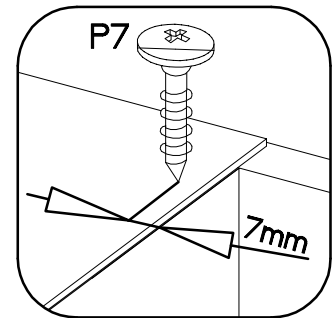
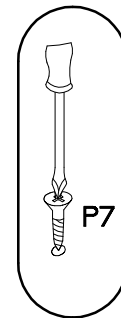
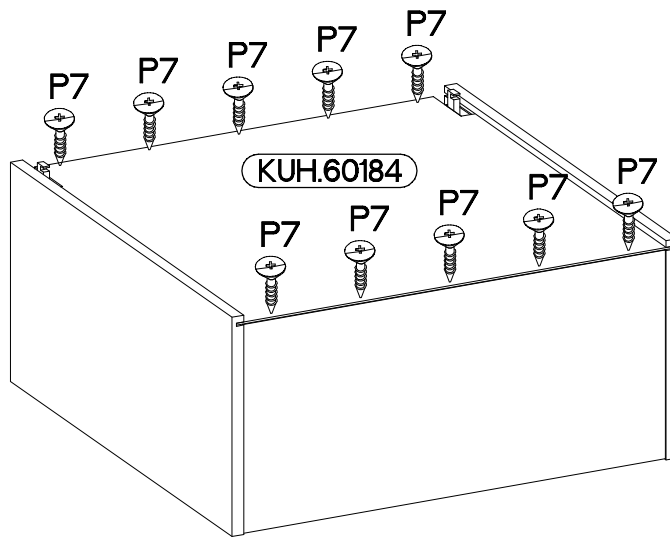
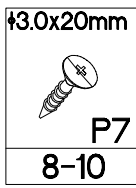
4



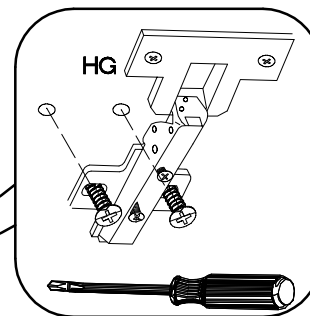
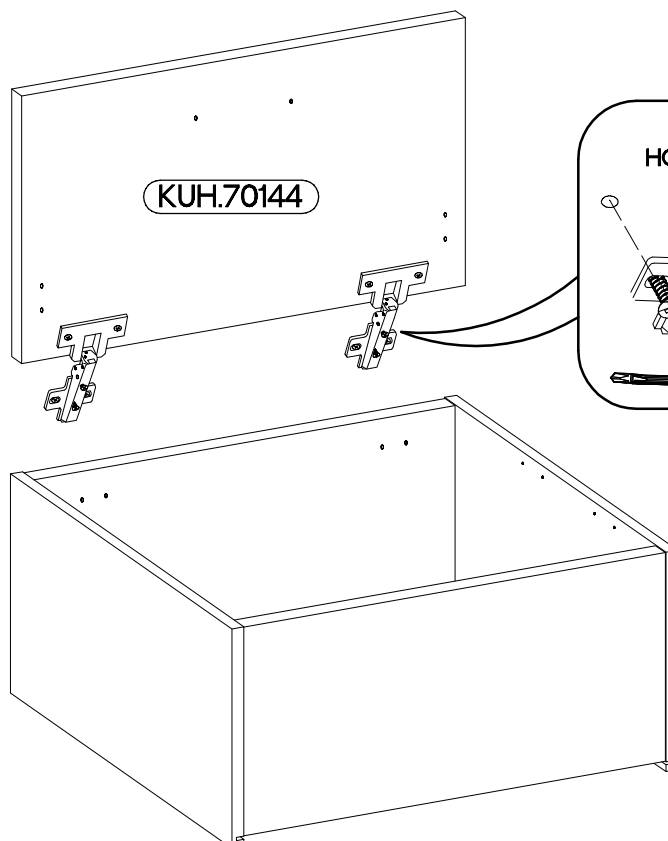
4



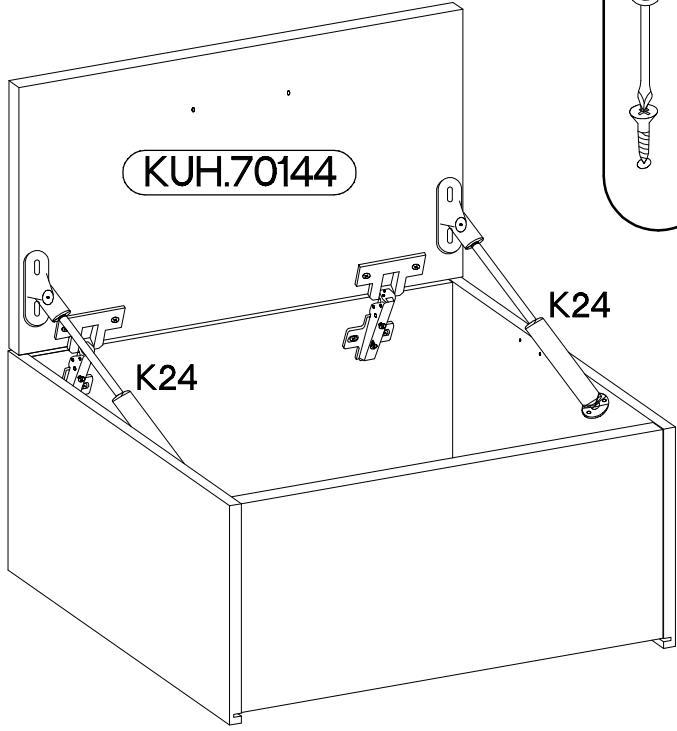
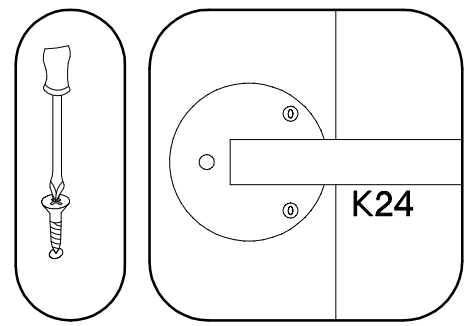
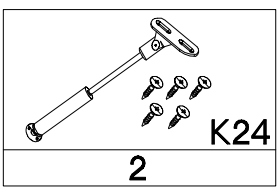
5



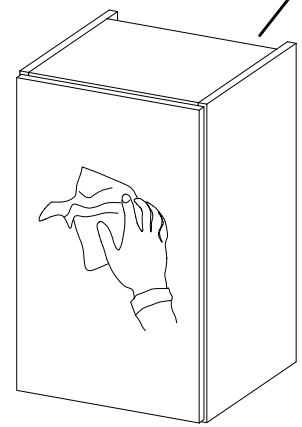
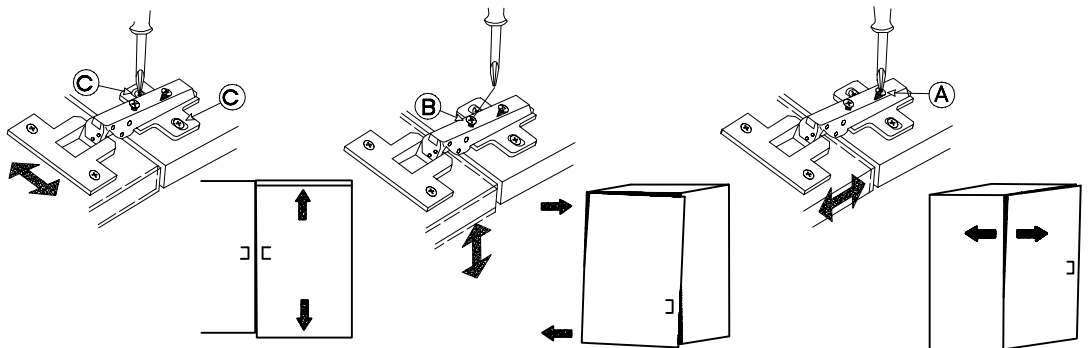
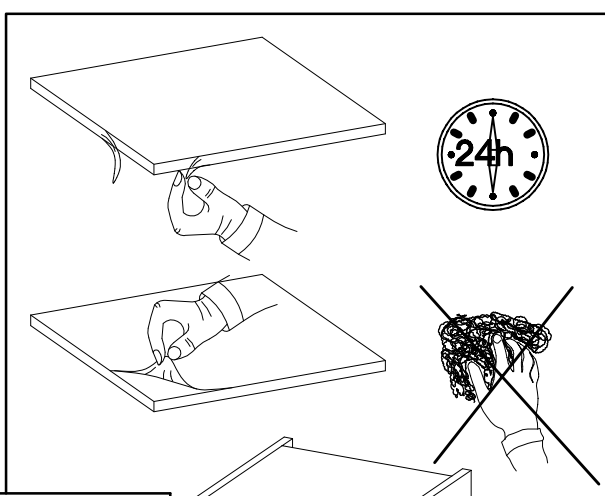
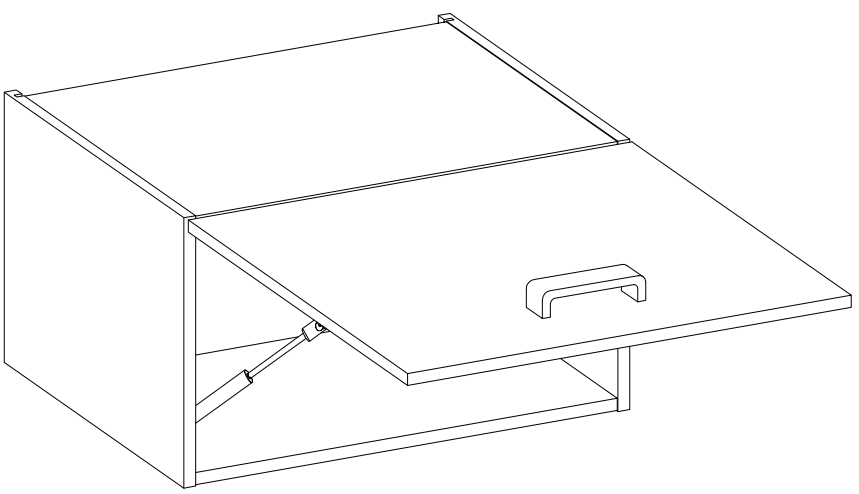
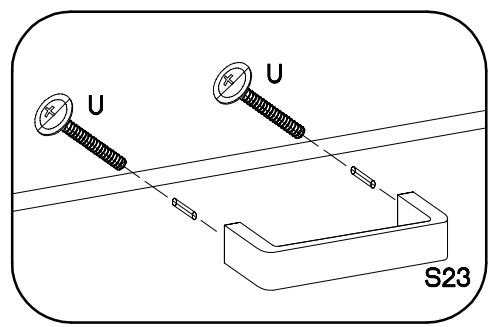
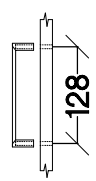
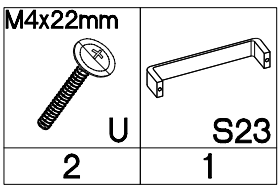
6

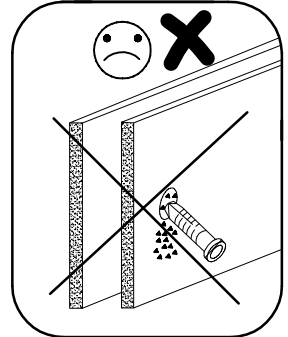
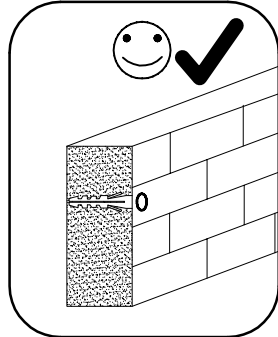
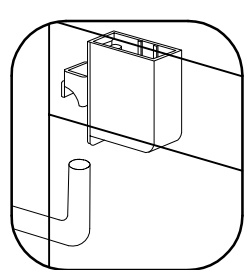
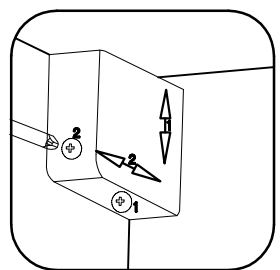
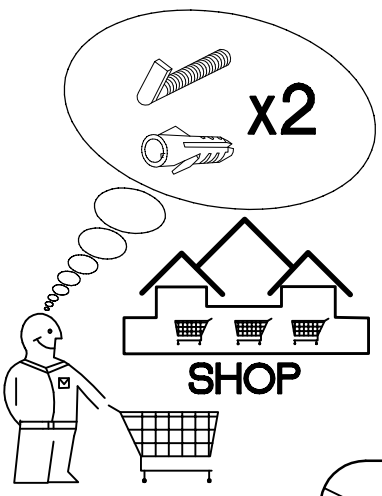
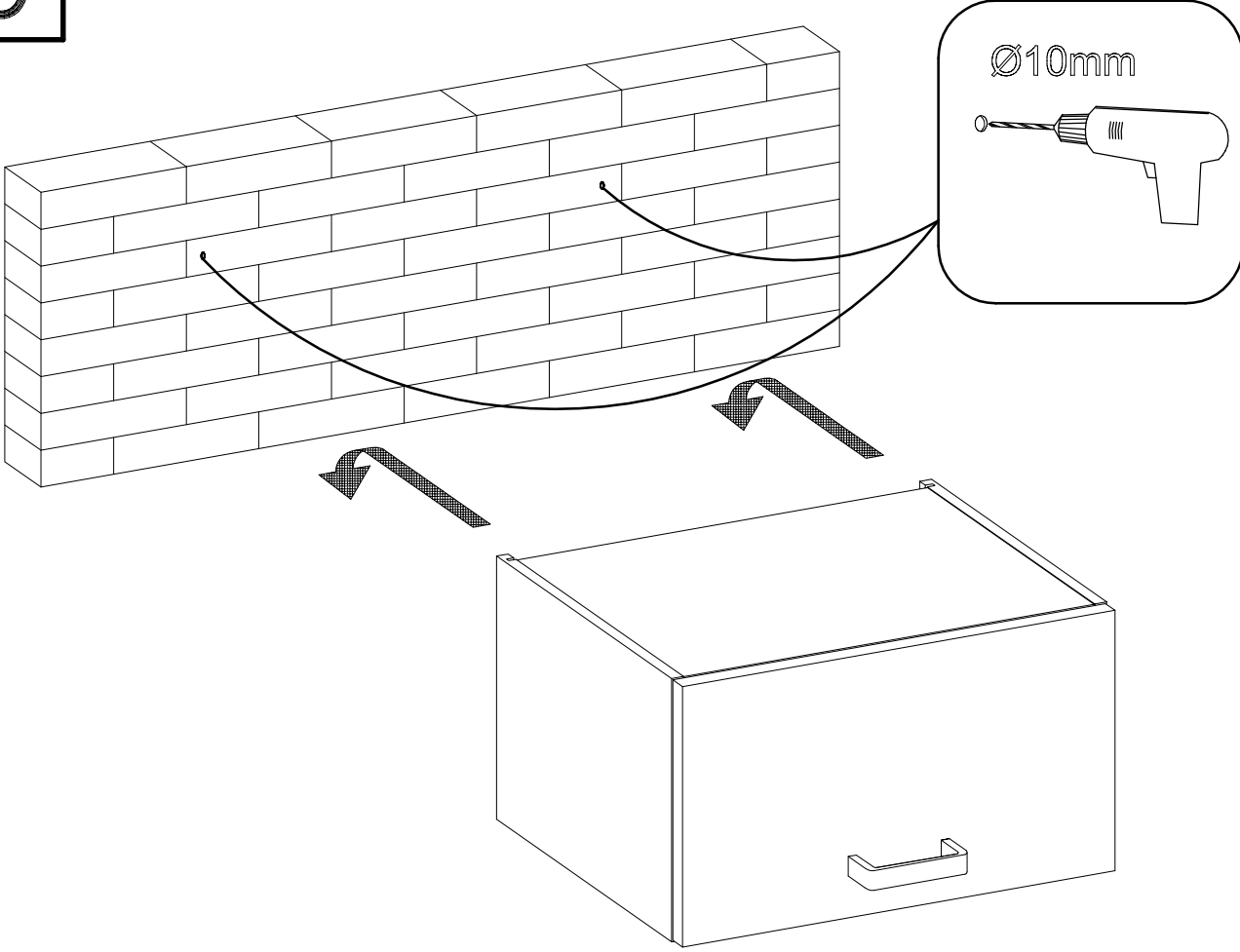


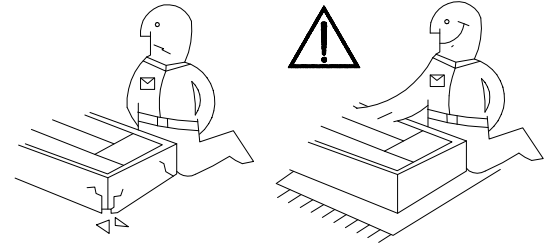
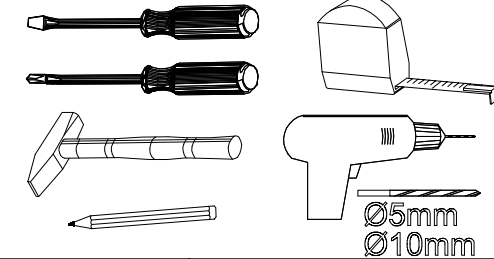
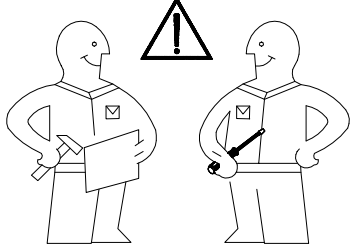
7



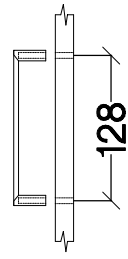
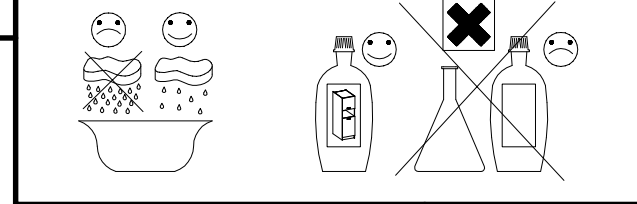
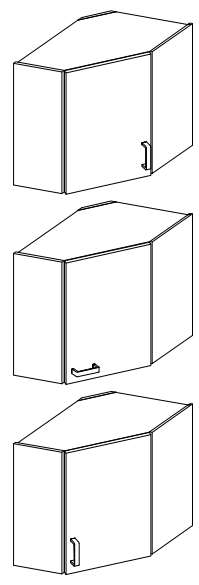
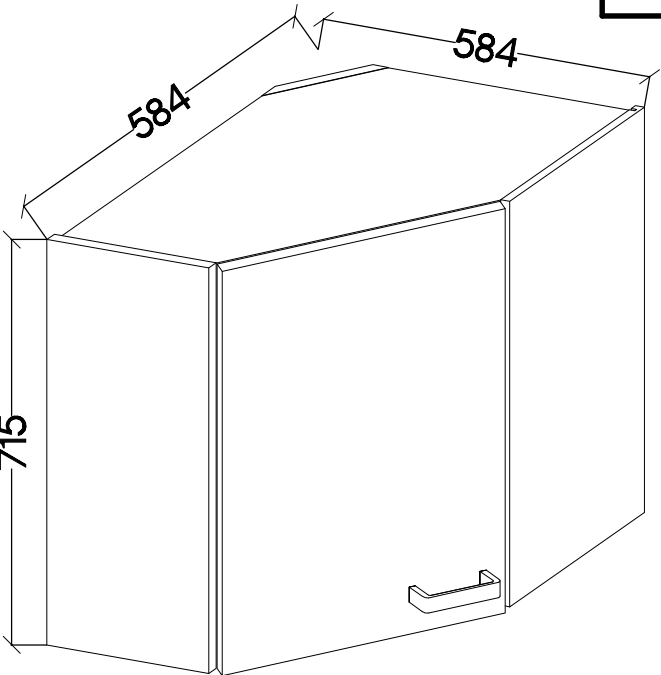
8





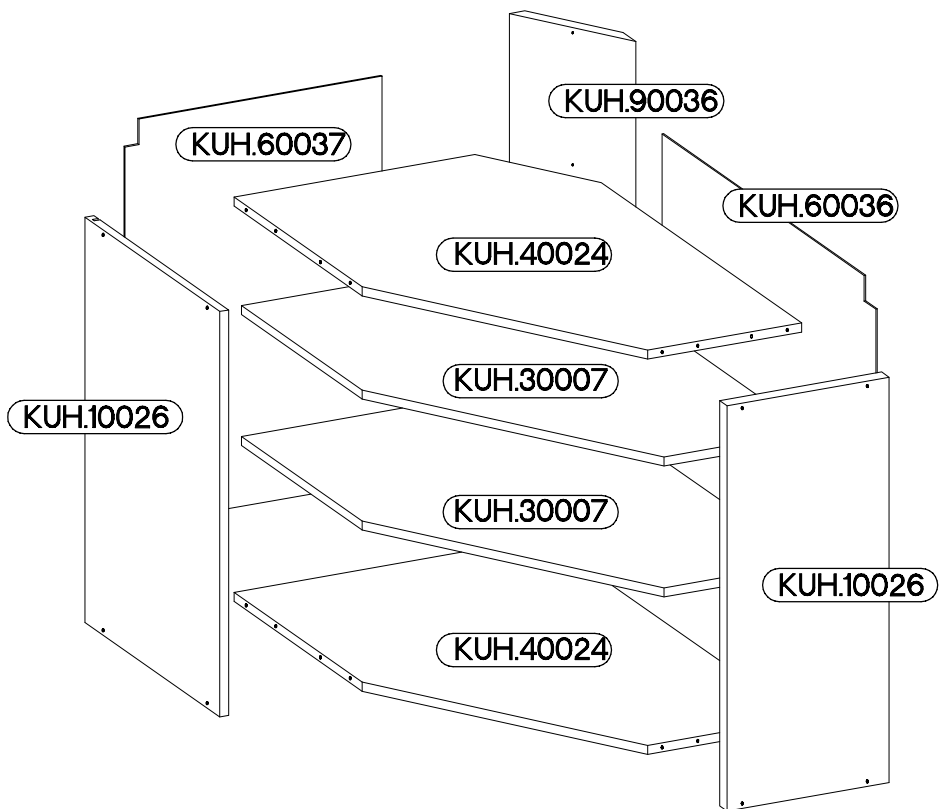
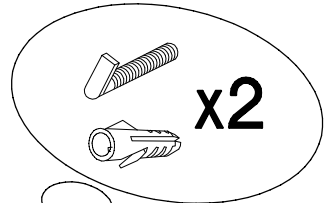
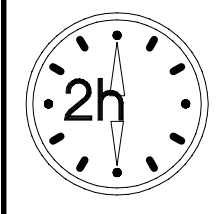


58x58 GN-72 1F

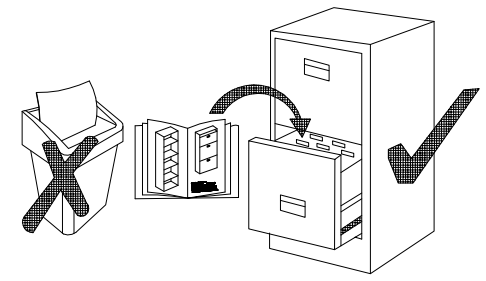


max. 5kg

KUH.30007
KUH.40024

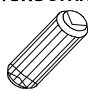
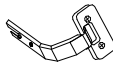


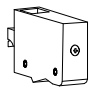


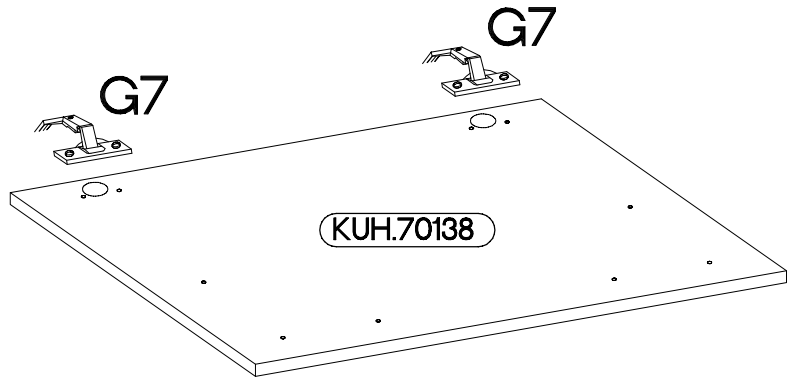
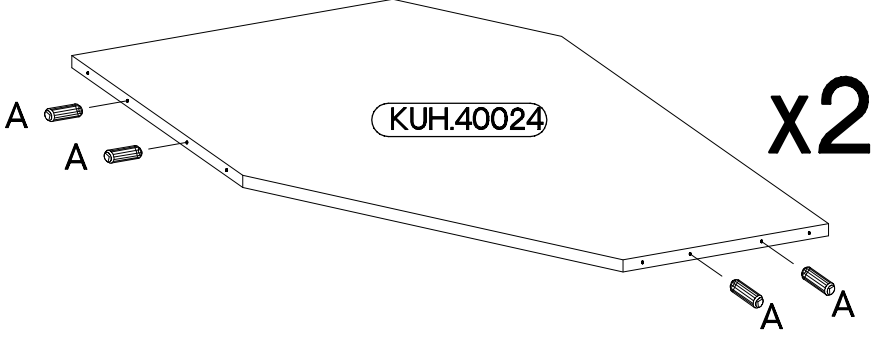
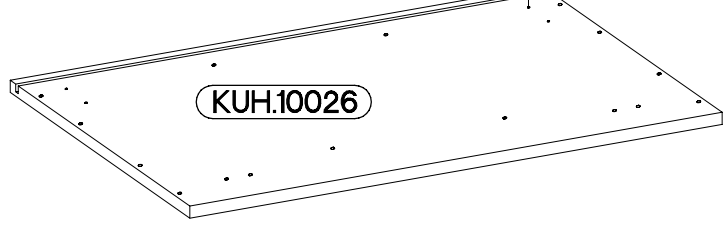
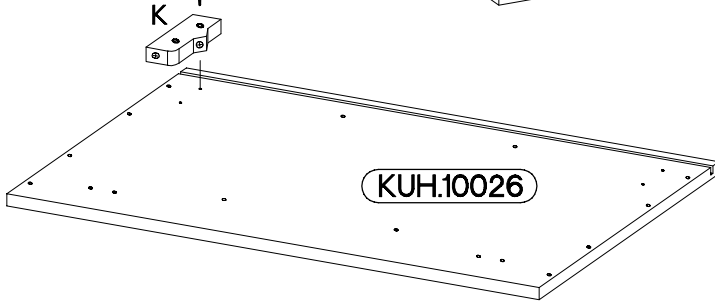
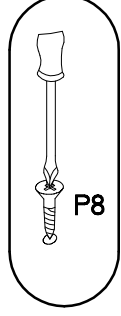
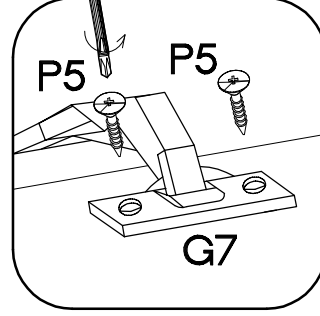
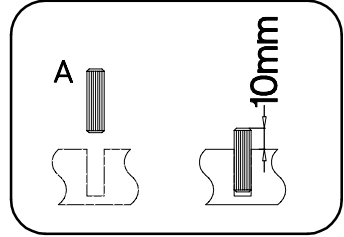
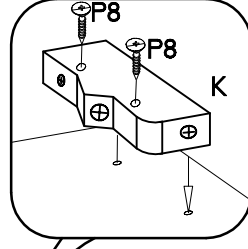
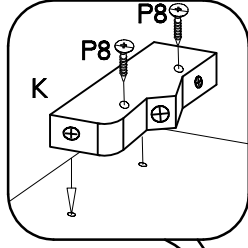
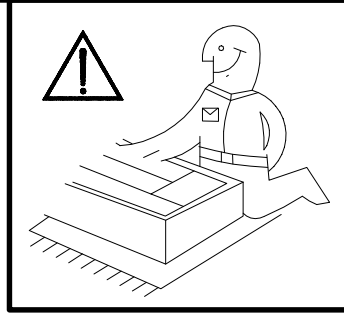
+8x30mm A 8	6,4 x 50mm B 10	 E1 8	 G7 2	 H 2	+5/19mm J 10	 K 2
 O 1	+3.5x13mm P5 4	+3.0x20mm P7 15-20	+4.0x30mm P8 4	 S23 1	M4x22mm U 2	



ISM-KUH-00943

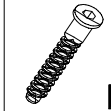
1

+8x30mm  A 8	 G7 2	+3.5x13mm  P5 4	+4.0x30mm  P8 4	 K 2
---	---	--	--	--



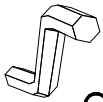
2

6,4 x 50mm



B

4



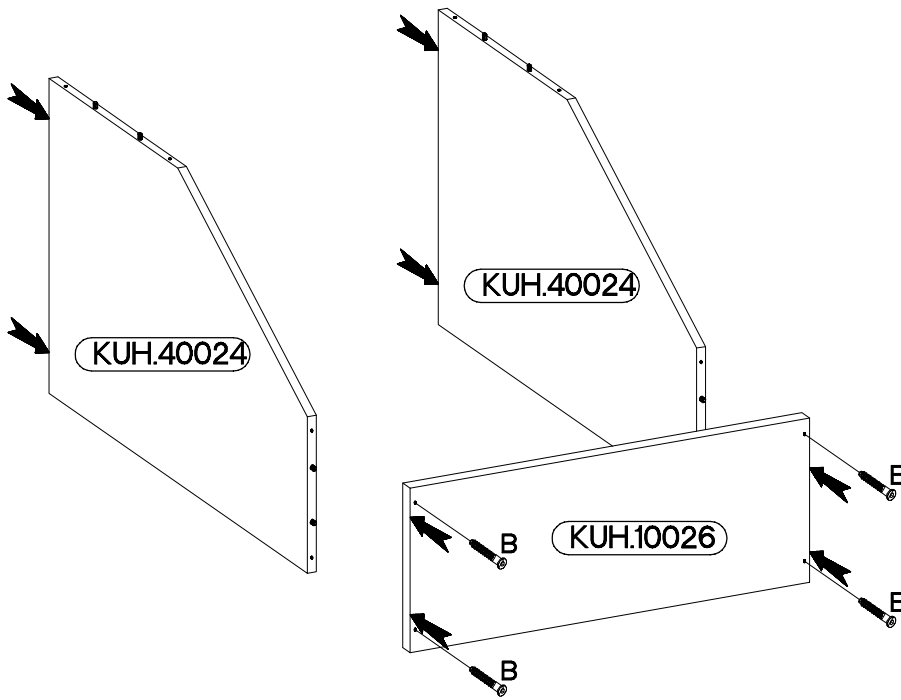
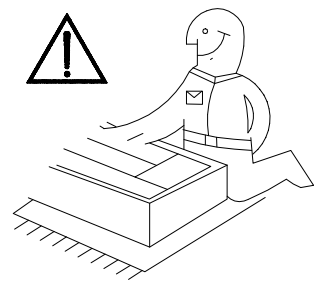
O

1

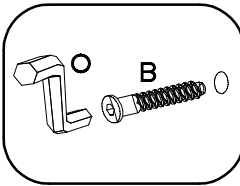
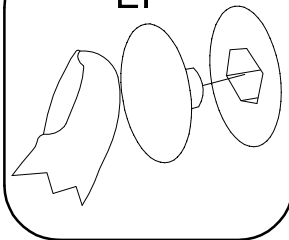


E1

4

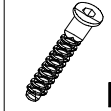


E1



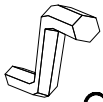
3

6,4 x 50mm



B

4



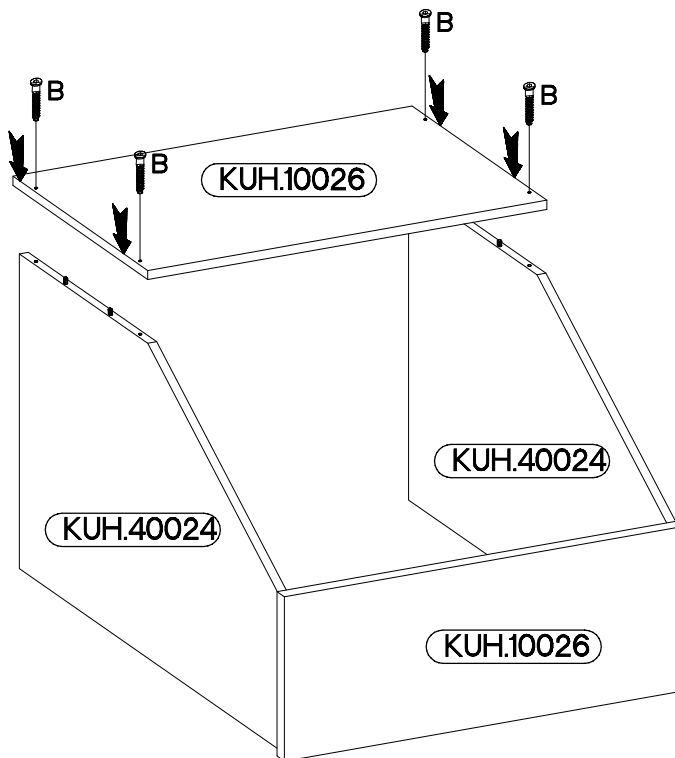
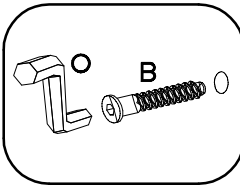
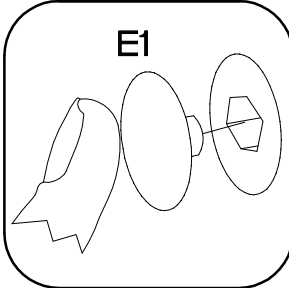
O

1



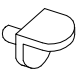
E1

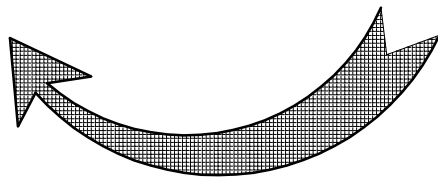
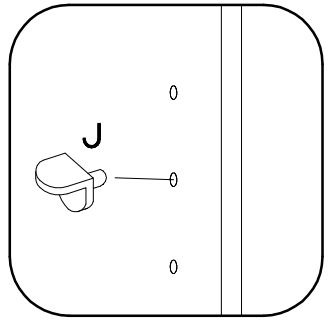
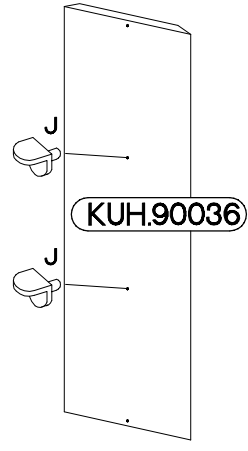
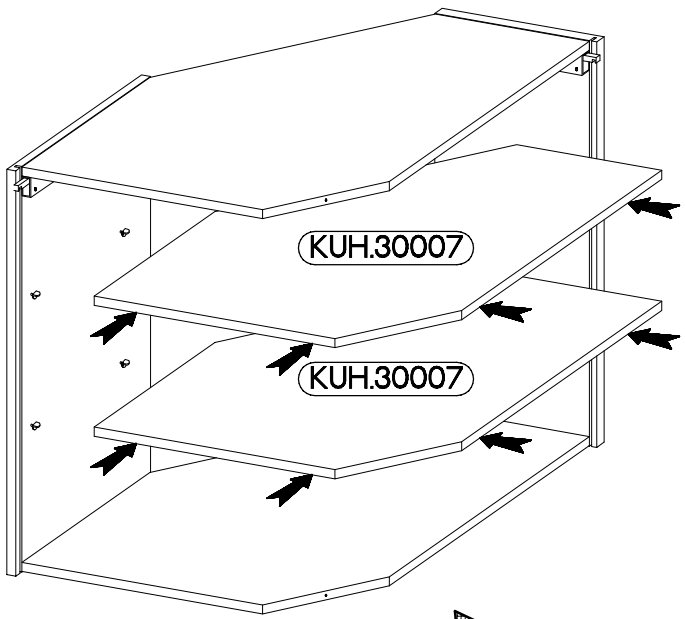
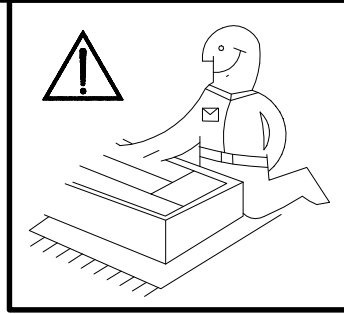
4




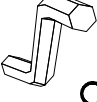
E1

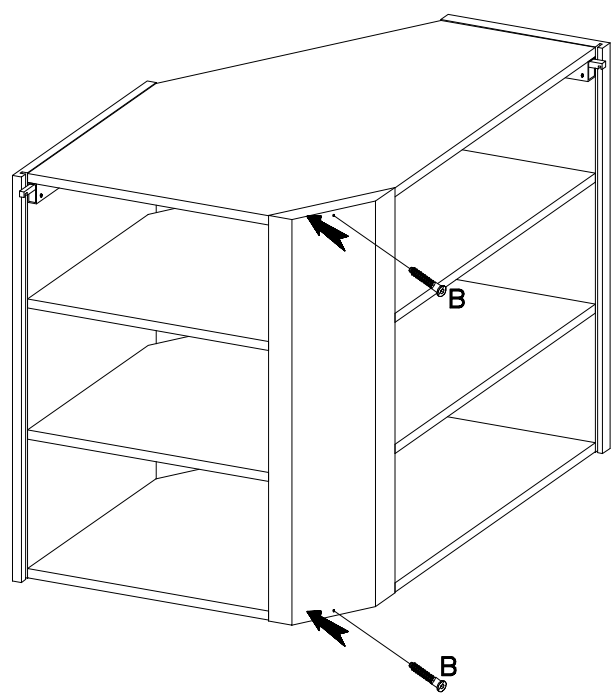
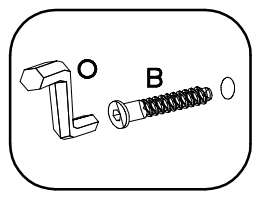
4

±5/19mm

J
10



5

6,4 x 50mm	
	
B	O
2	1



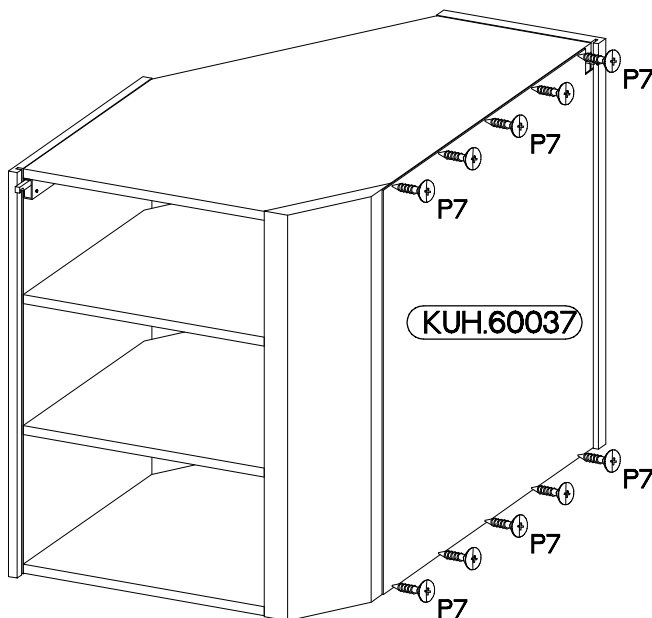
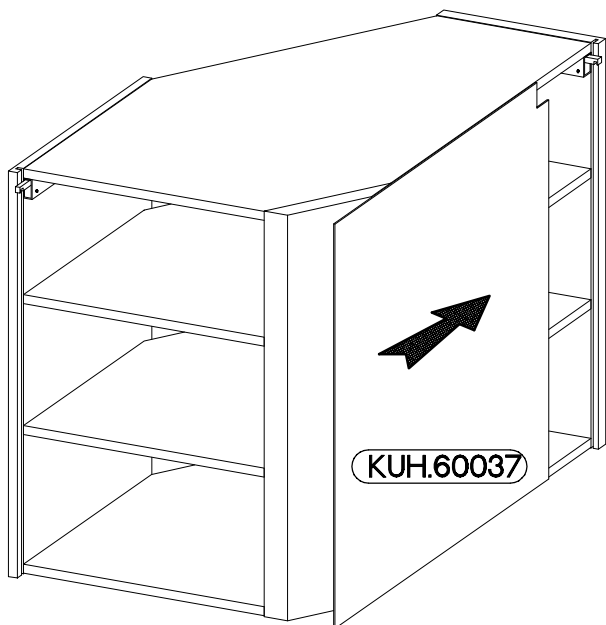
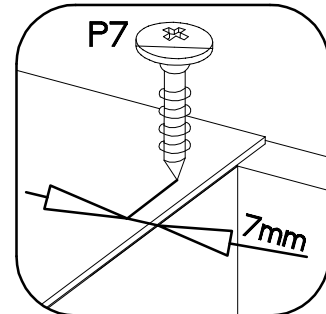
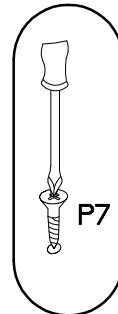
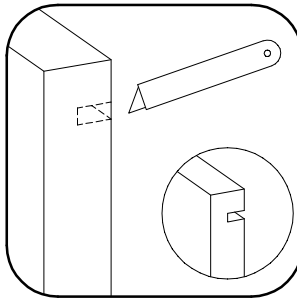
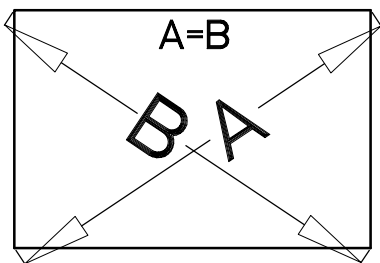
6

±3.0x20mm



P7

10-15



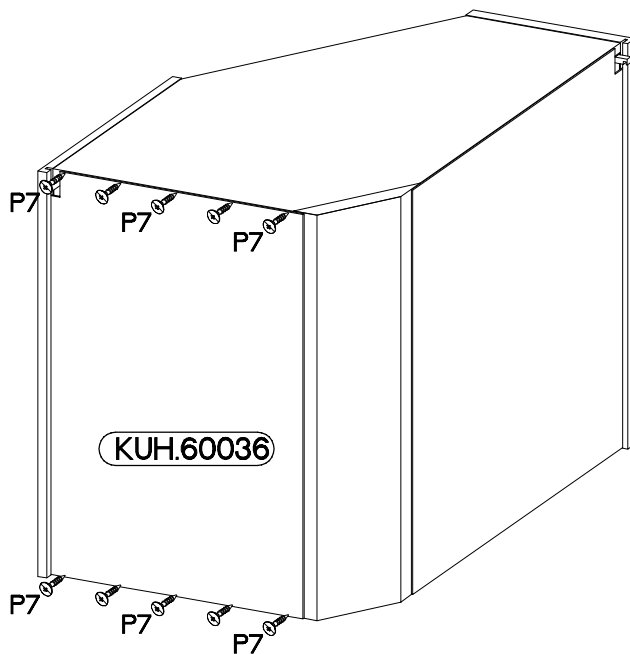
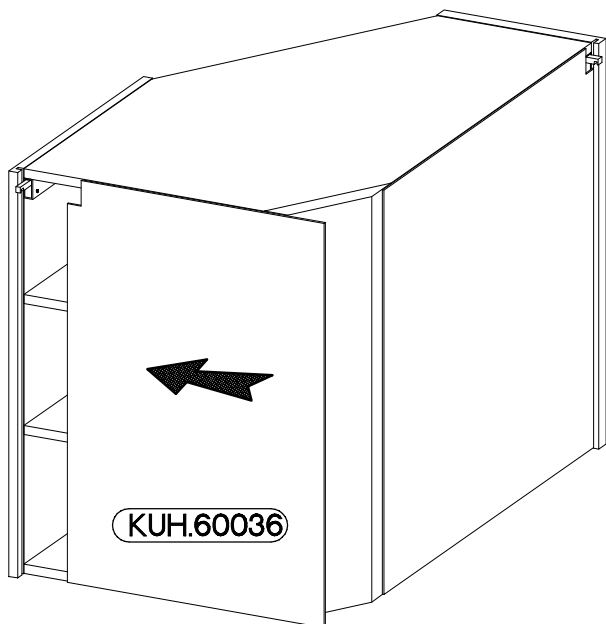
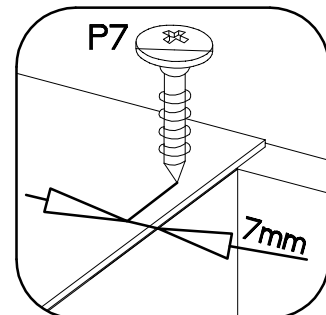
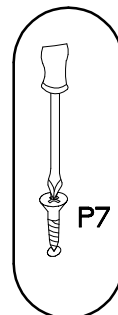
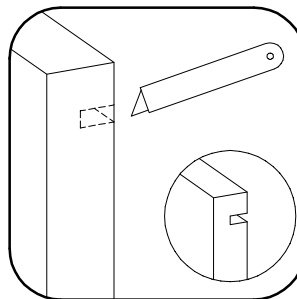
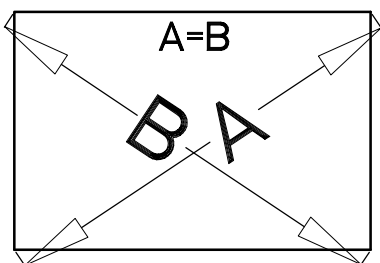
7

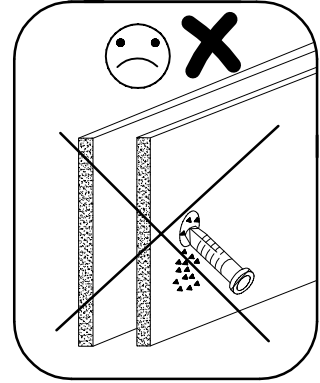
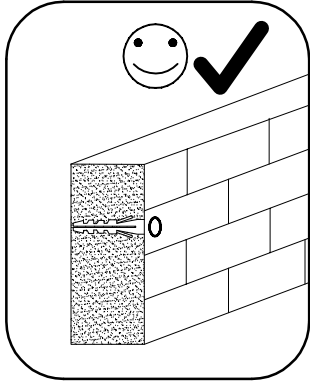
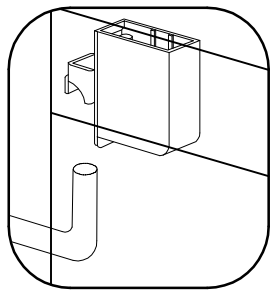
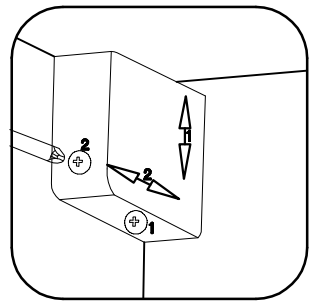
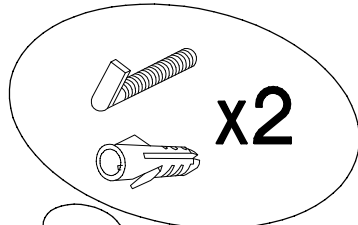
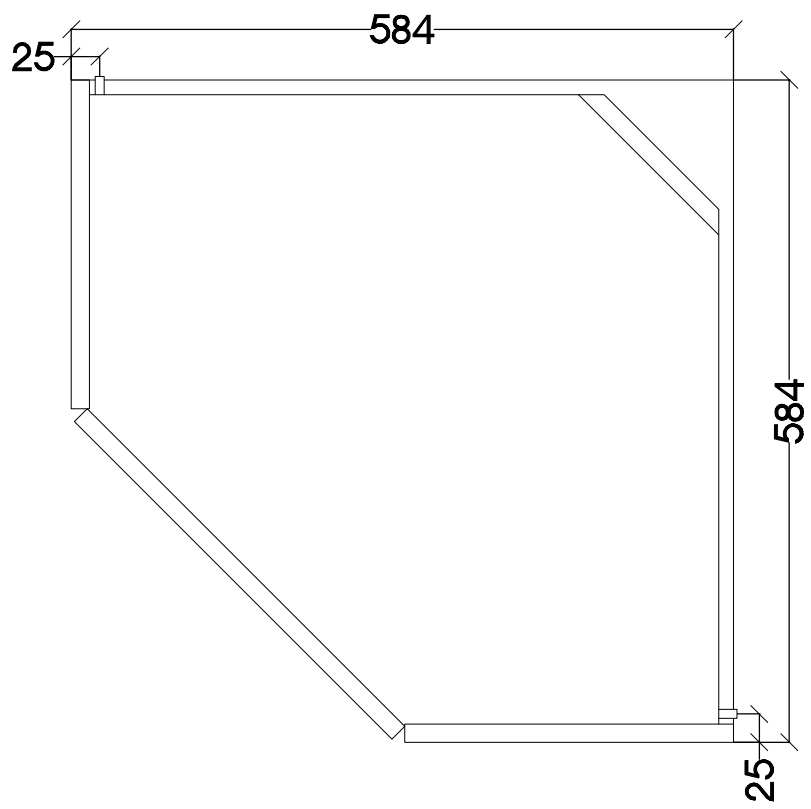
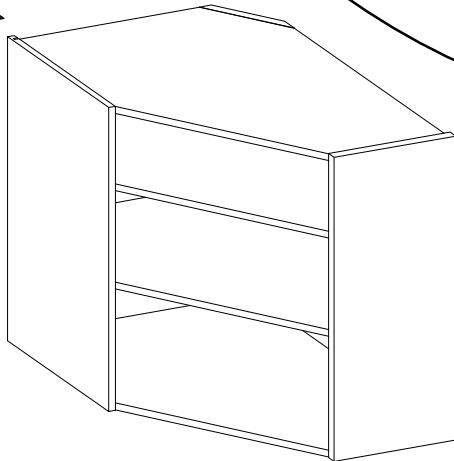
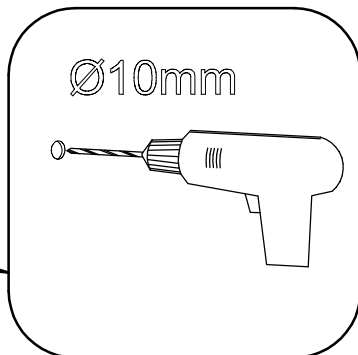
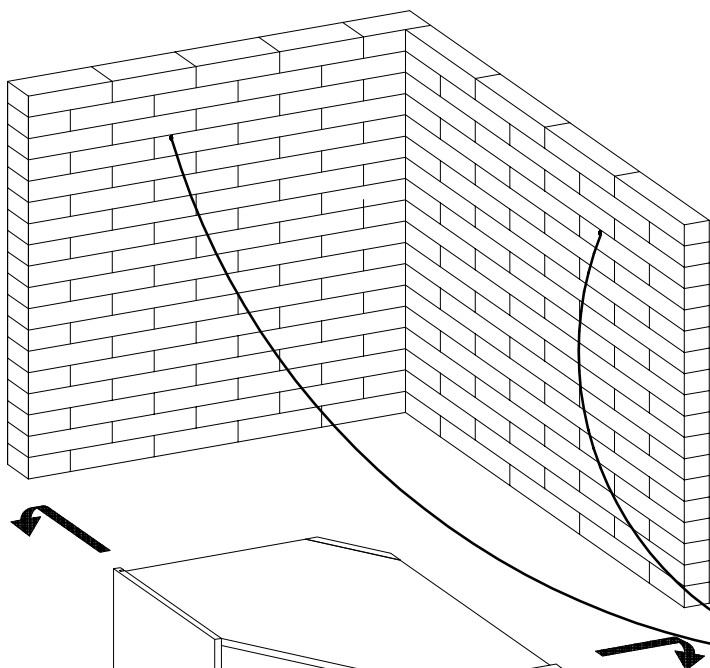
±3.0x20mm

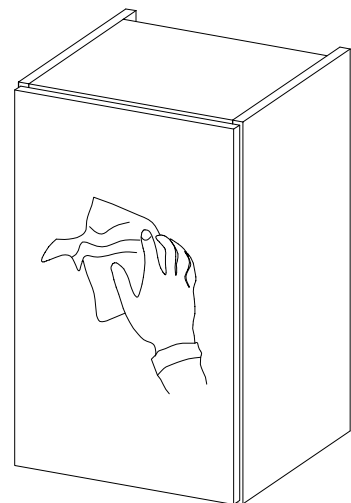
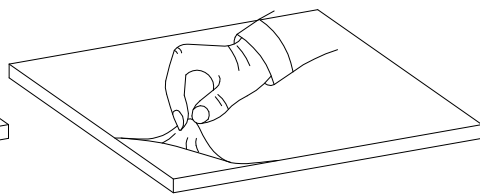
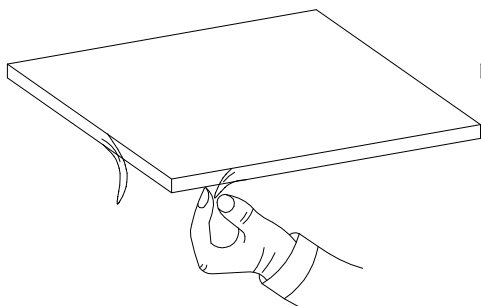
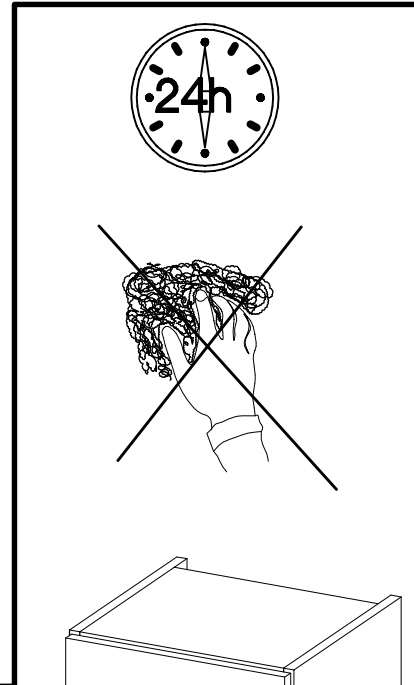
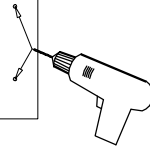
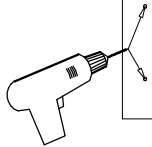
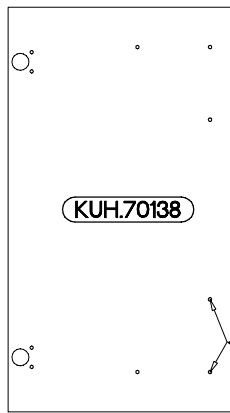
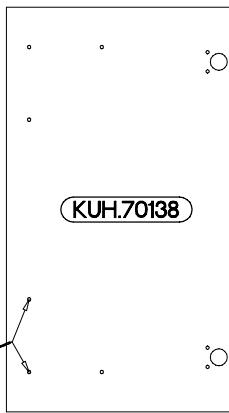
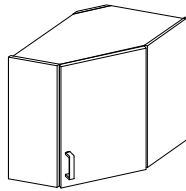
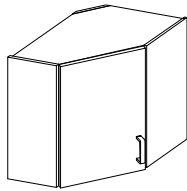
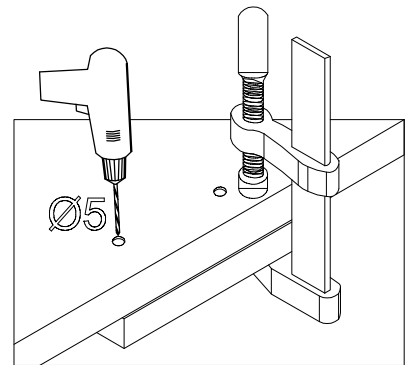
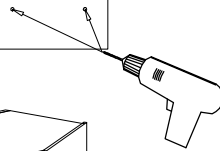
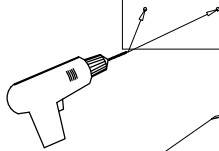
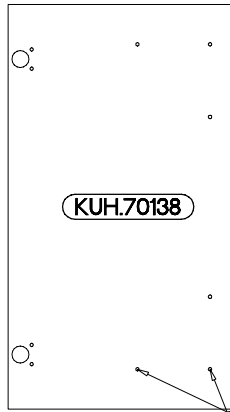
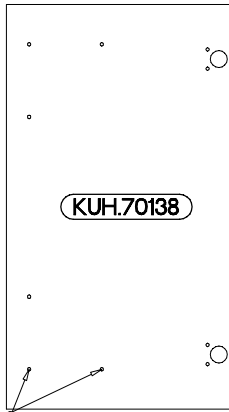
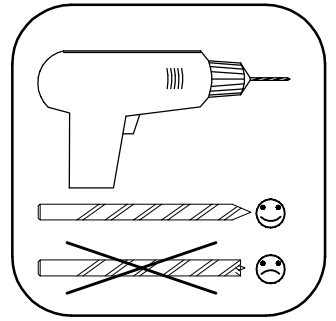
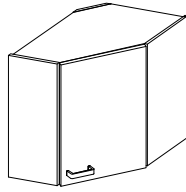
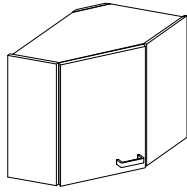


P7

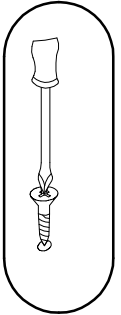
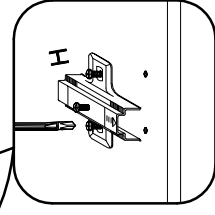
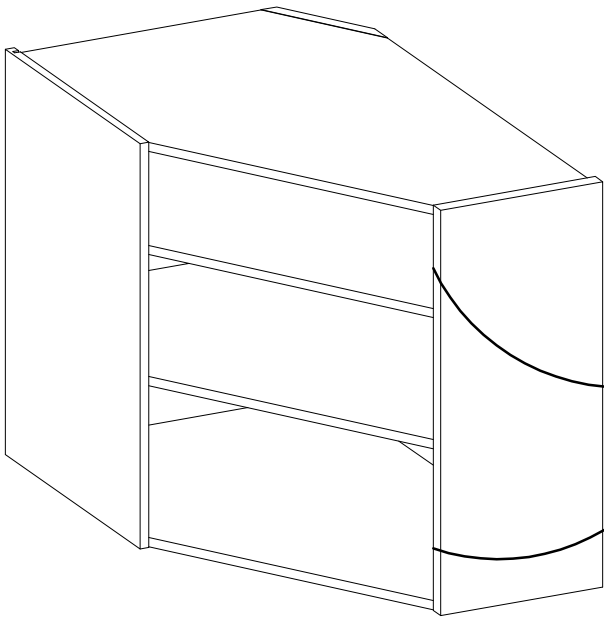
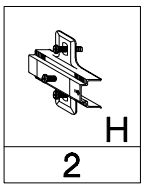
10-15



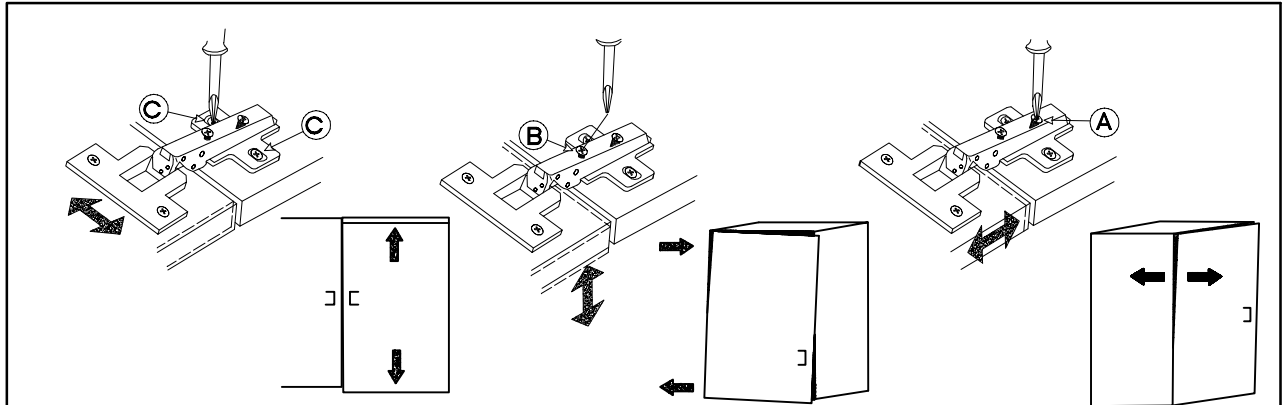
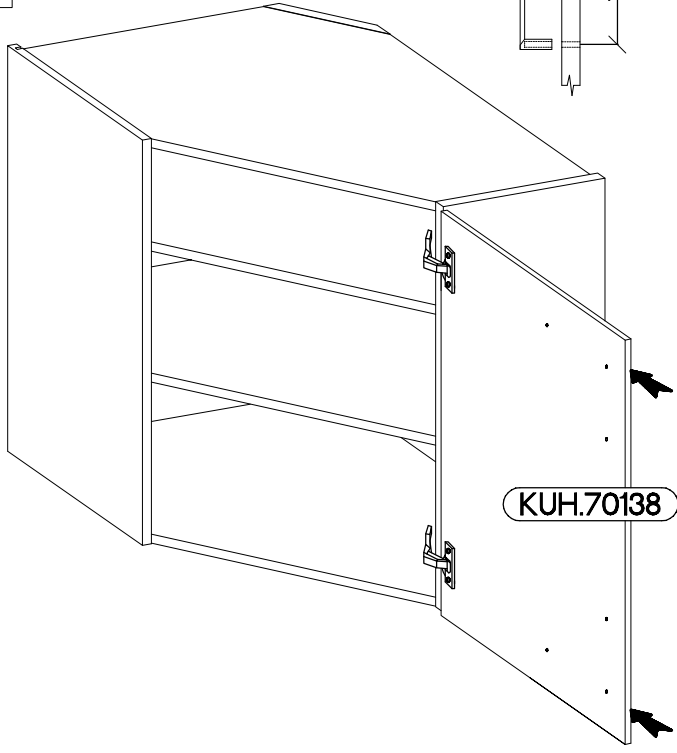
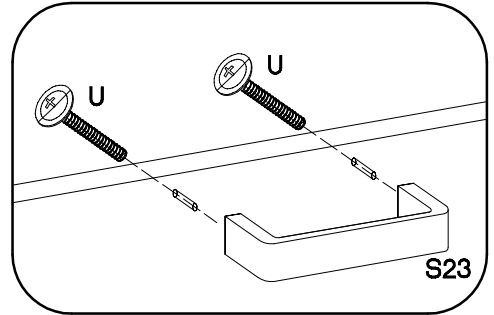
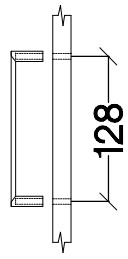
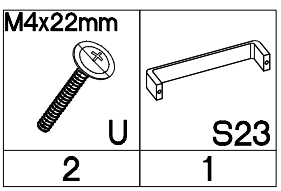


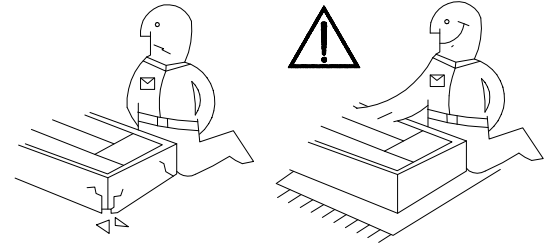
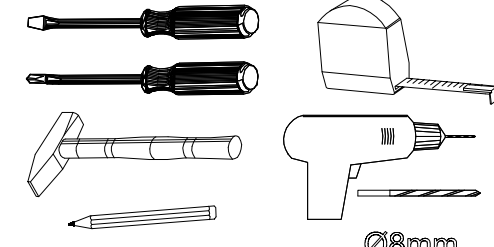
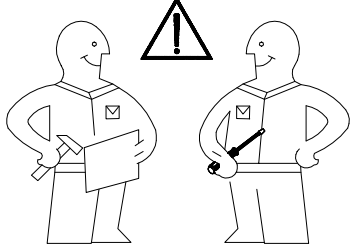


10

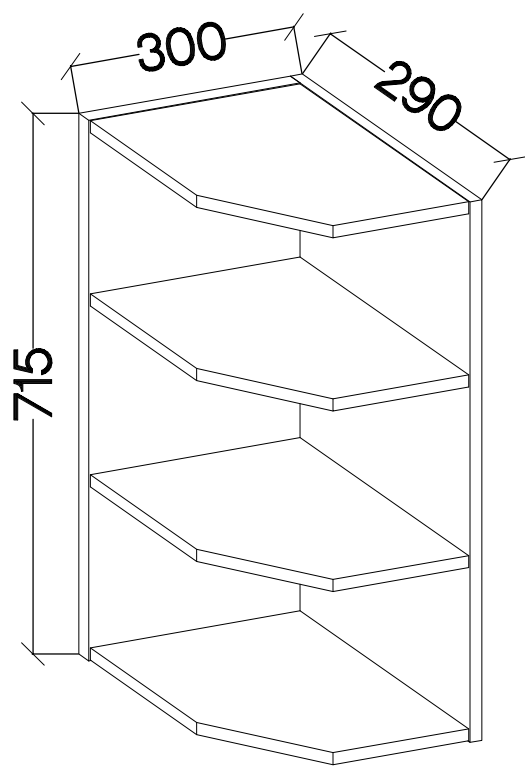
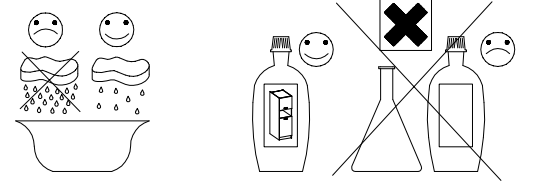


11

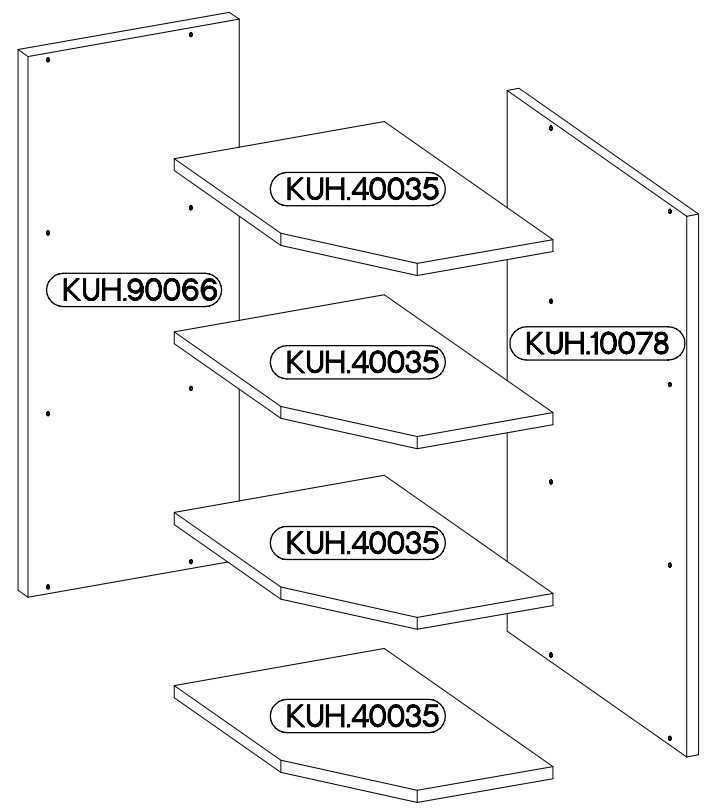
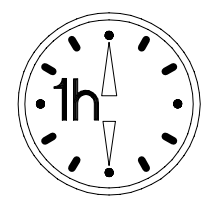




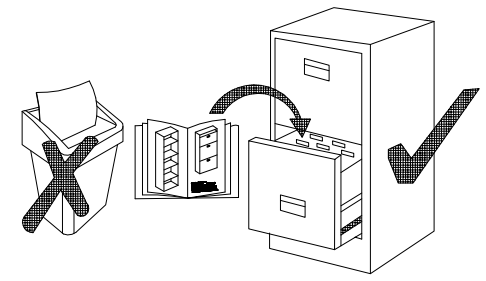
30 G-72 ZAK



KUH.40035



6,4 x 50mm		
B	O	M1
16	1	2



ISM-KUH-00920

1

6,4 x 50mm



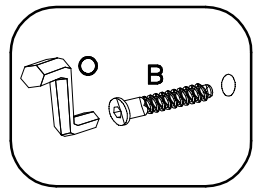
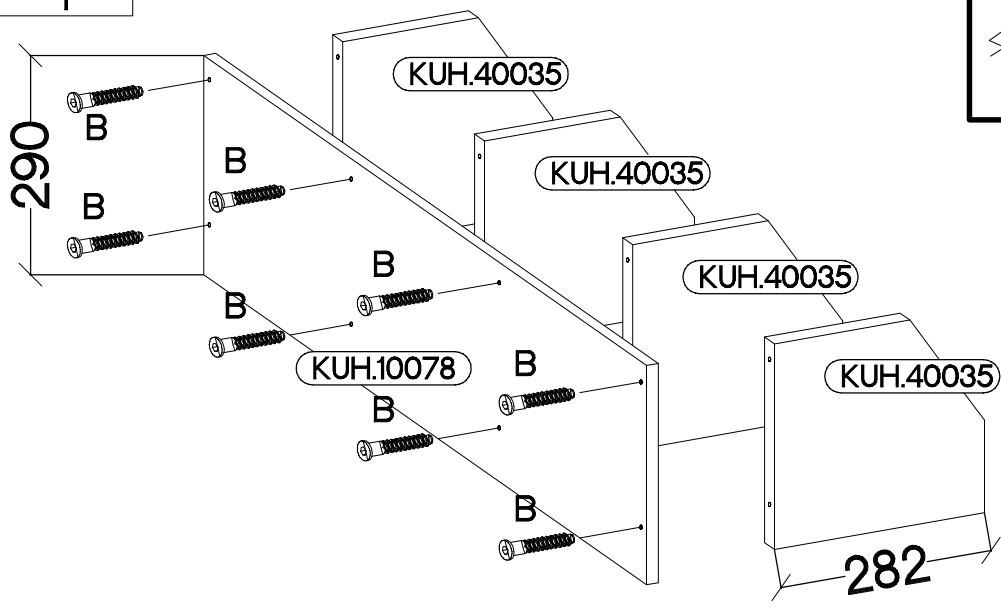
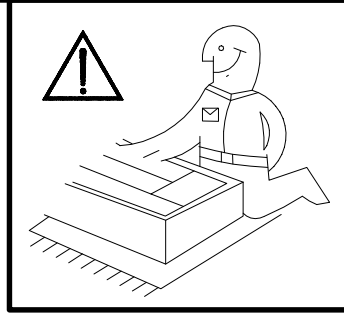
B

8



O

1



2

6,4 x 50mm



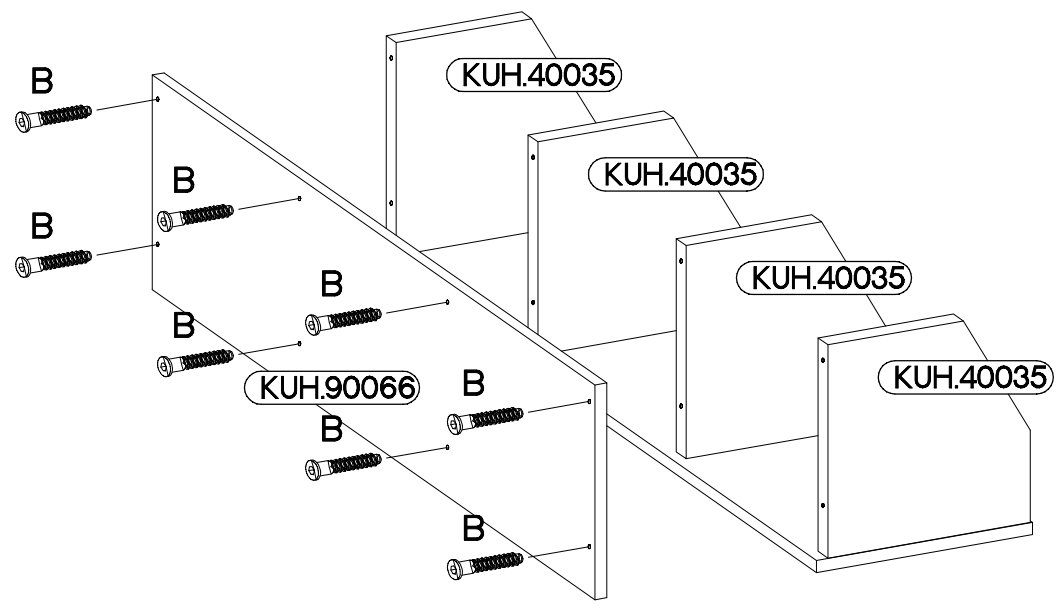
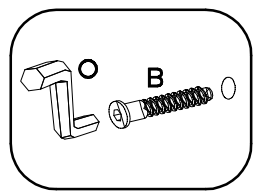
B

8

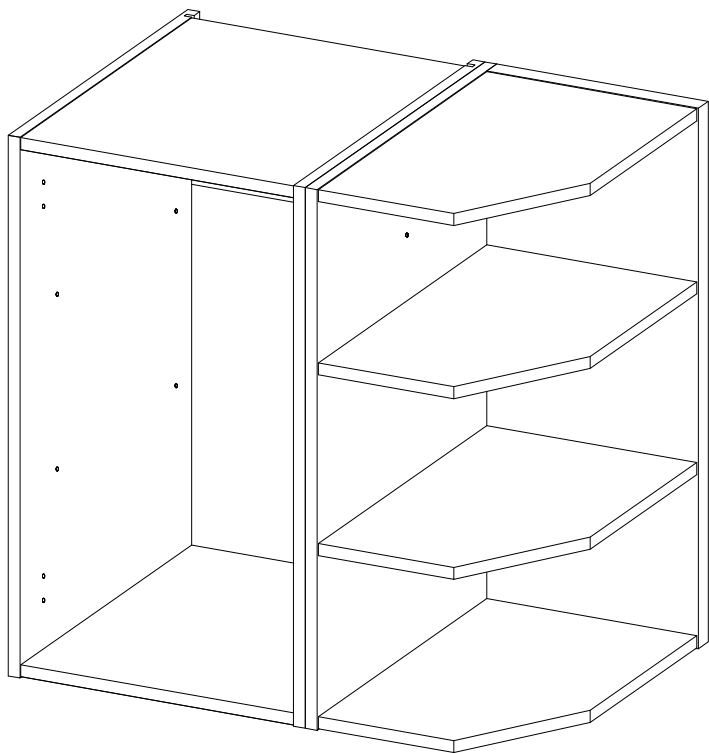
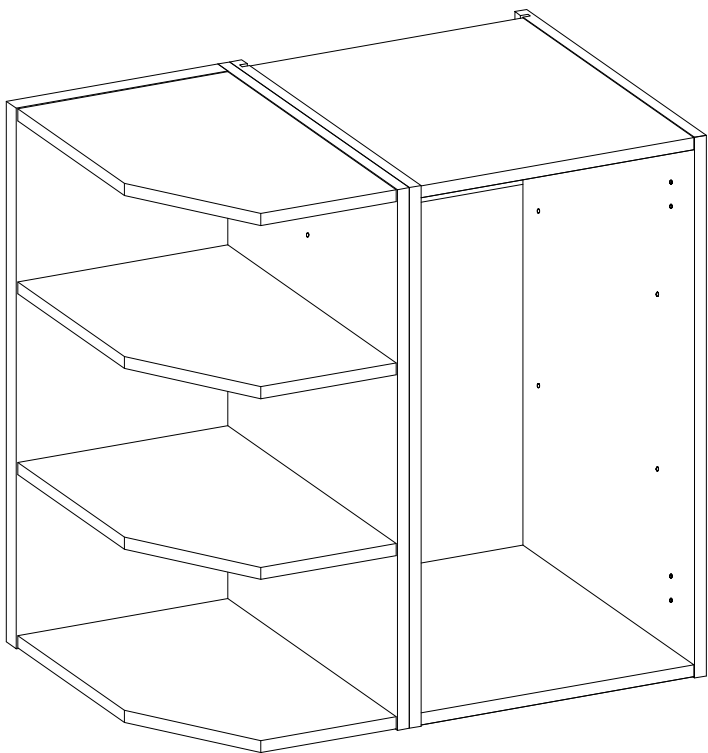
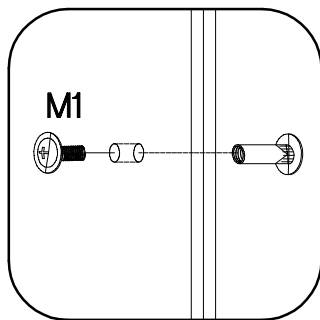
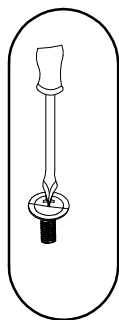
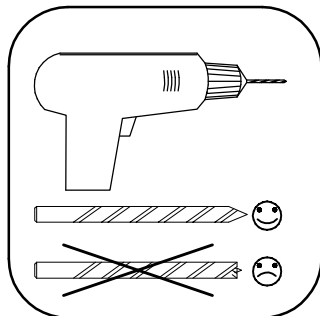
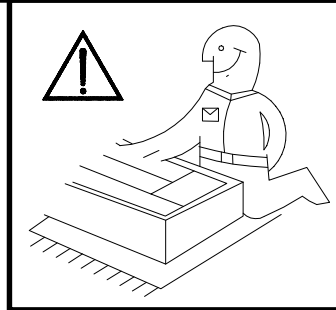
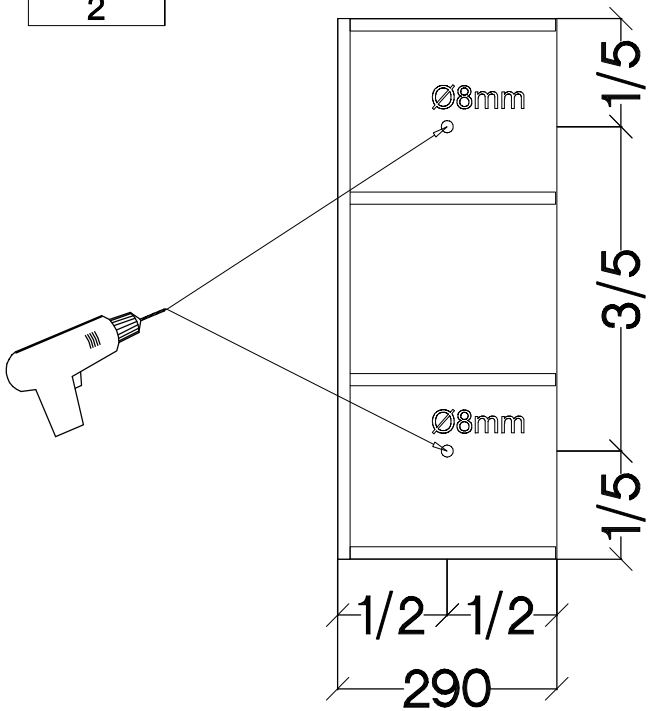
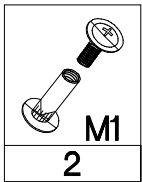


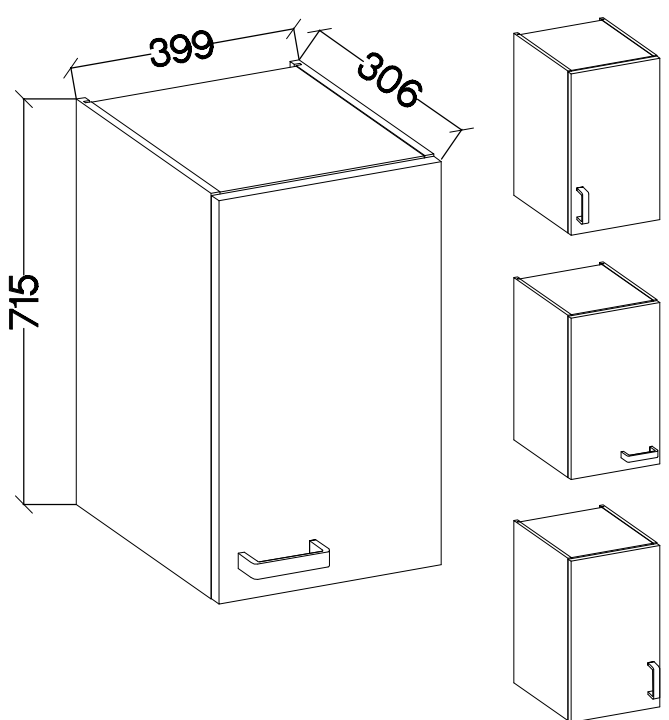
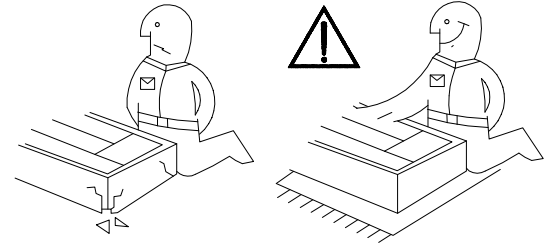
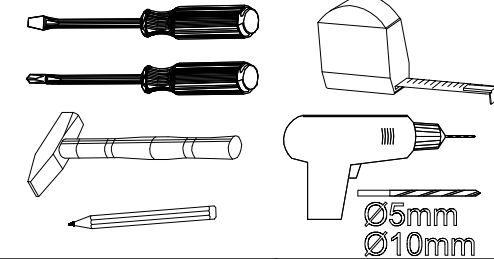
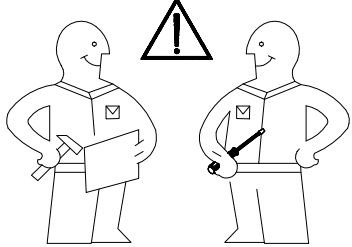
O

1

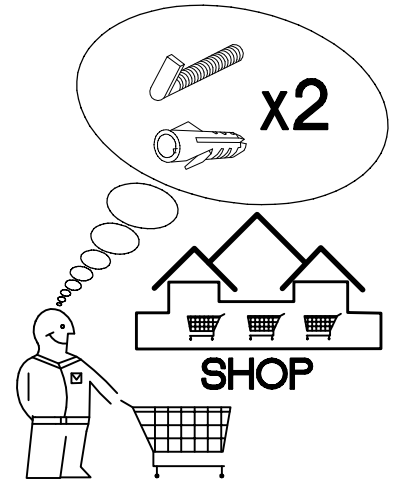
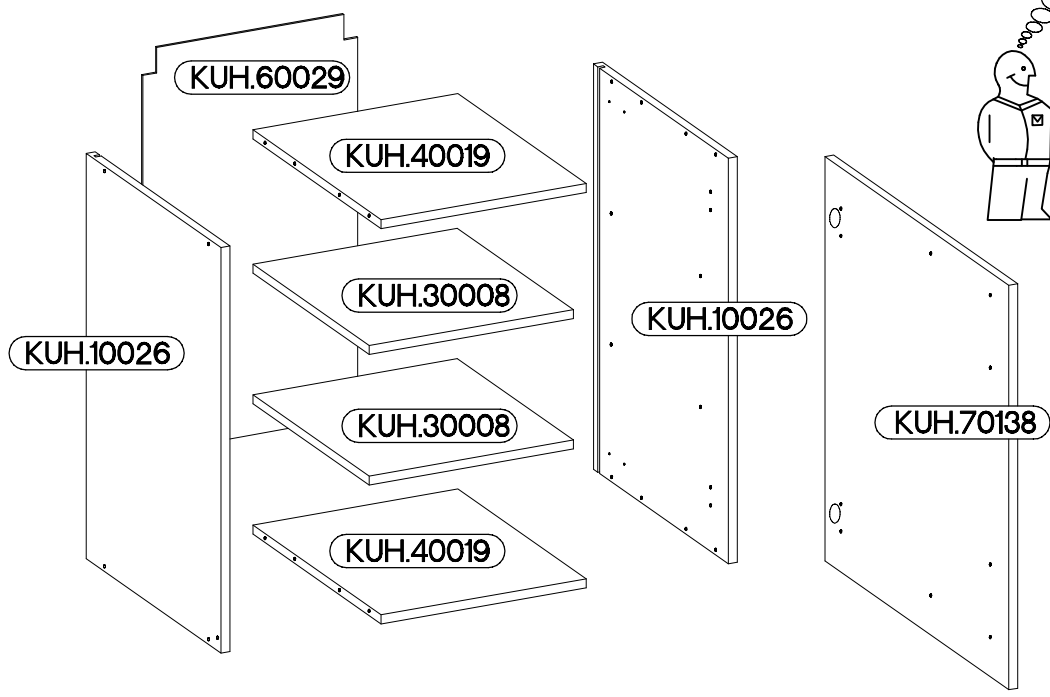
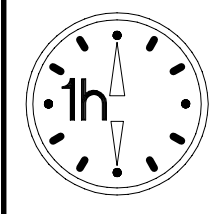
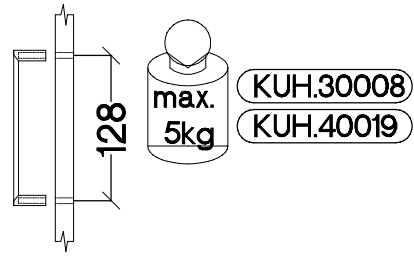
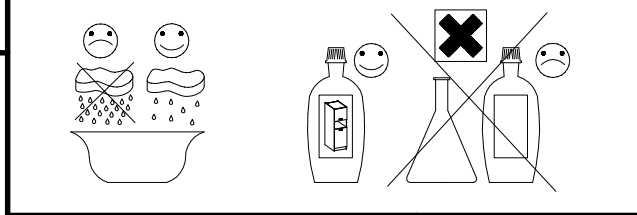





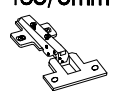

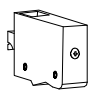
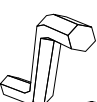




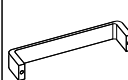
3

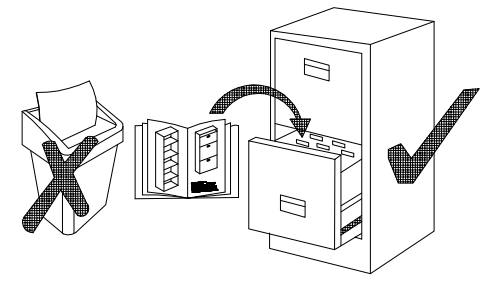




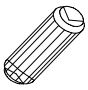
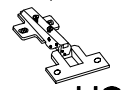

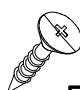
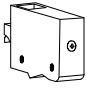
40 G-72 1F

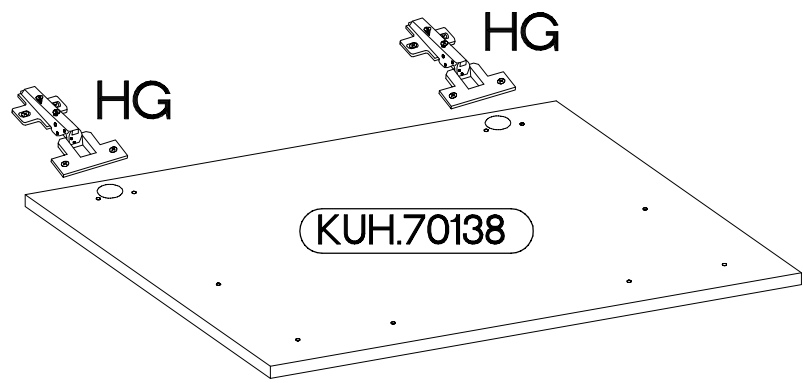
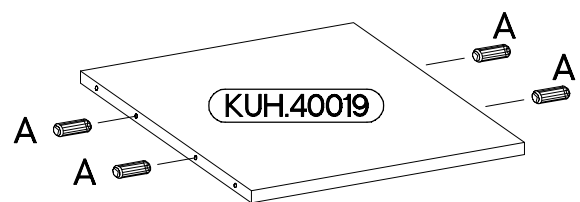
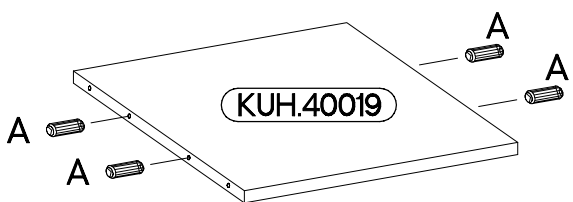
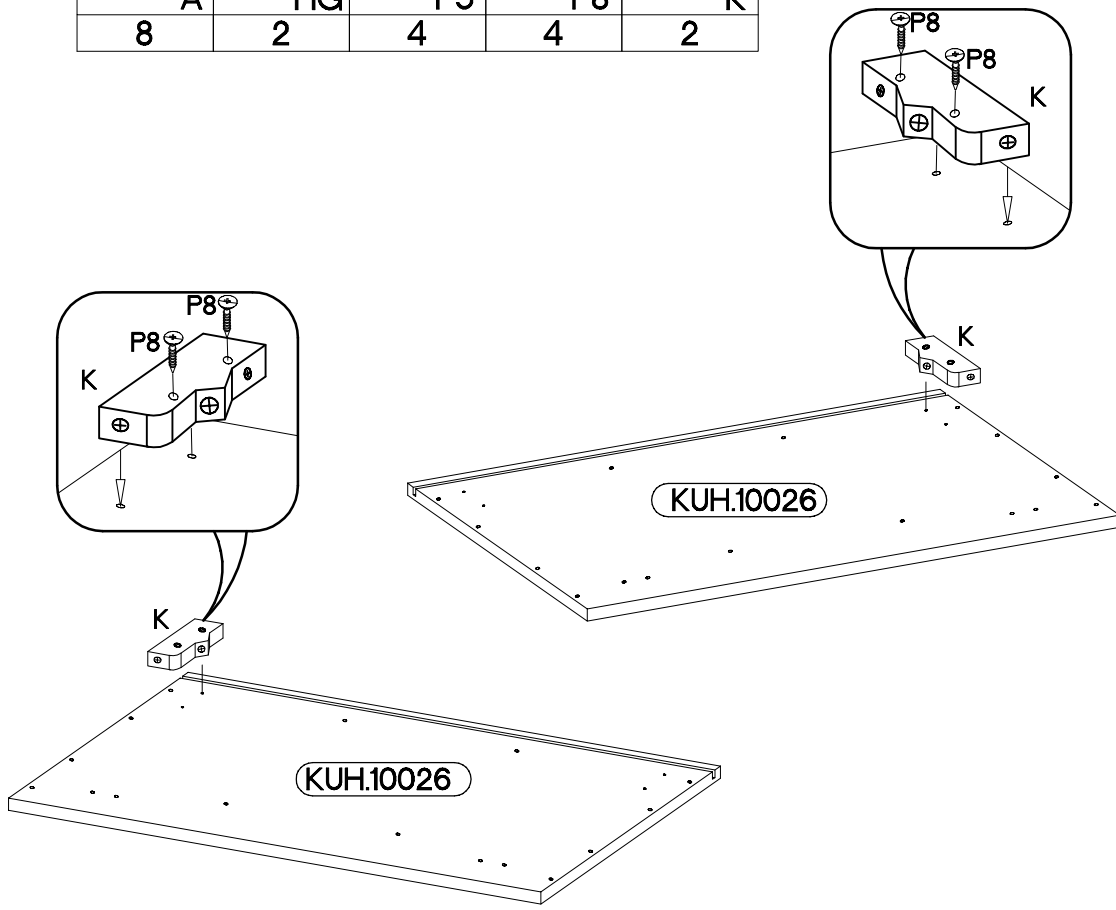
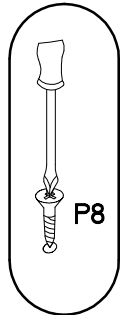
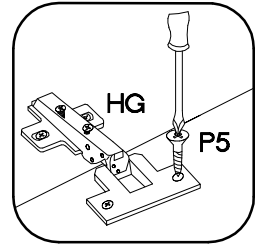
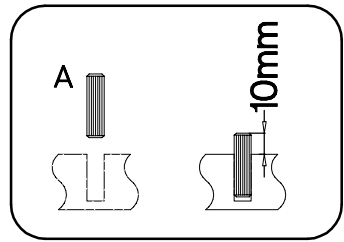
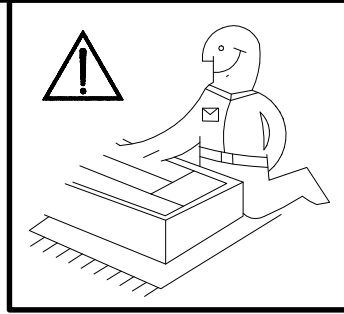


 A	 B	 E1	 HG	 J	 K
8	8	8	2	8	2
 O	 P5	 P7	 P8	 U	 S23
1	4	8-10	4	2	1

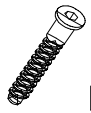
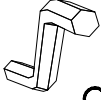



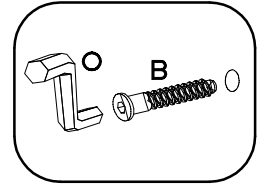
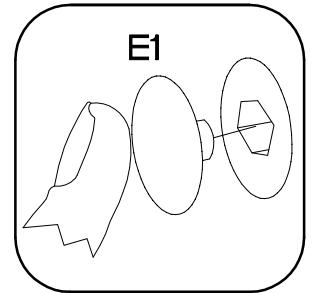
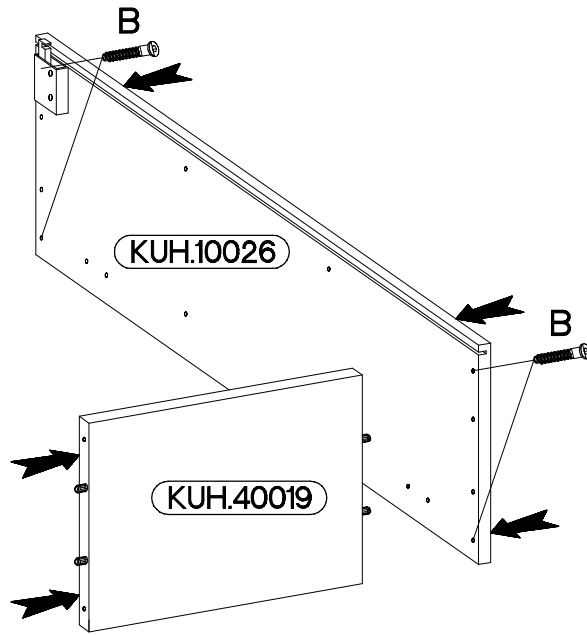
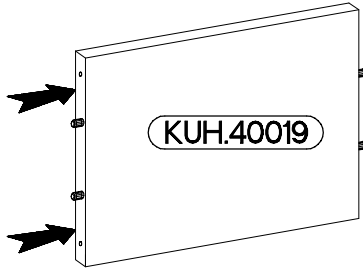
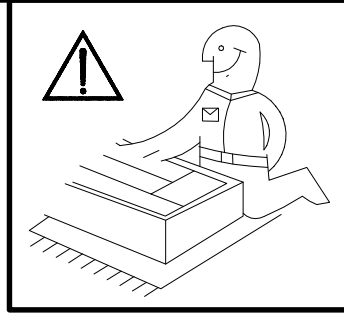
ISM-KUH-00925

$\pm 8 \times 30 \text{mm}$  A 8	$\pm 35 / 0 \text{mm}$  HG 2	$\pm 3.5 \times 13 \text{mm}$  P5 4	$\pm 4.0 \times 30 \text{mm}$  P8 4	 K 2
---	---	--	--	--


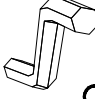



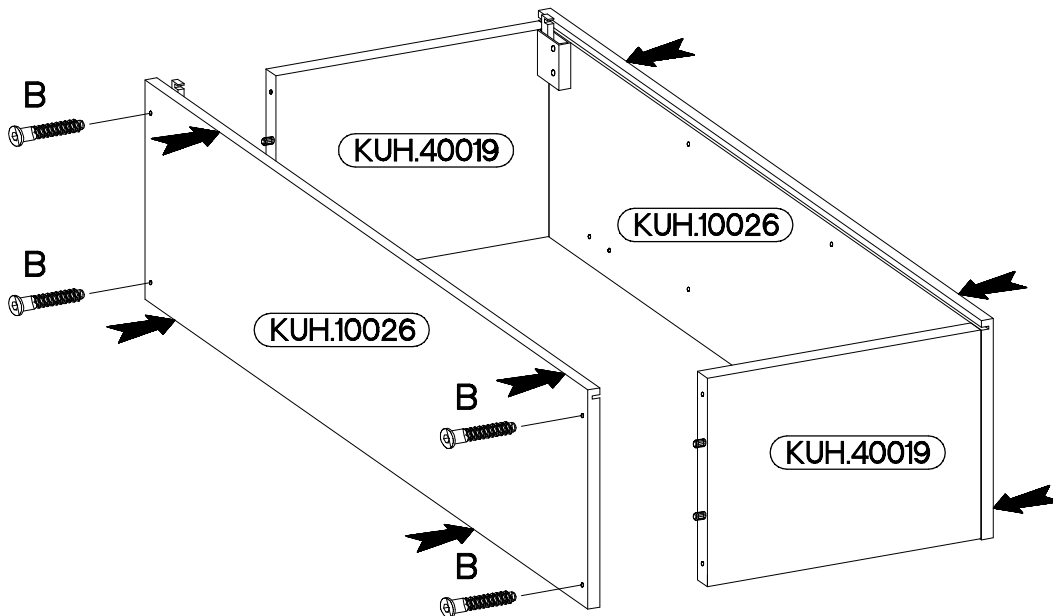
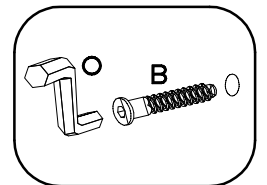
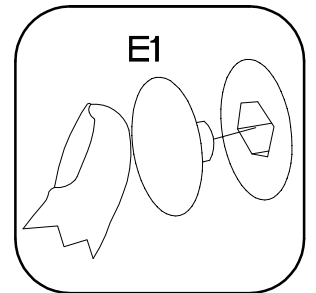
2

6,4 x 50mm		
		
B	O	E1
4	1	4

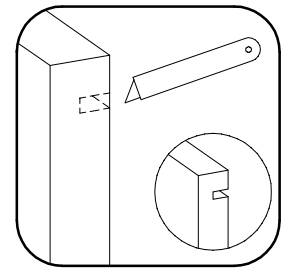
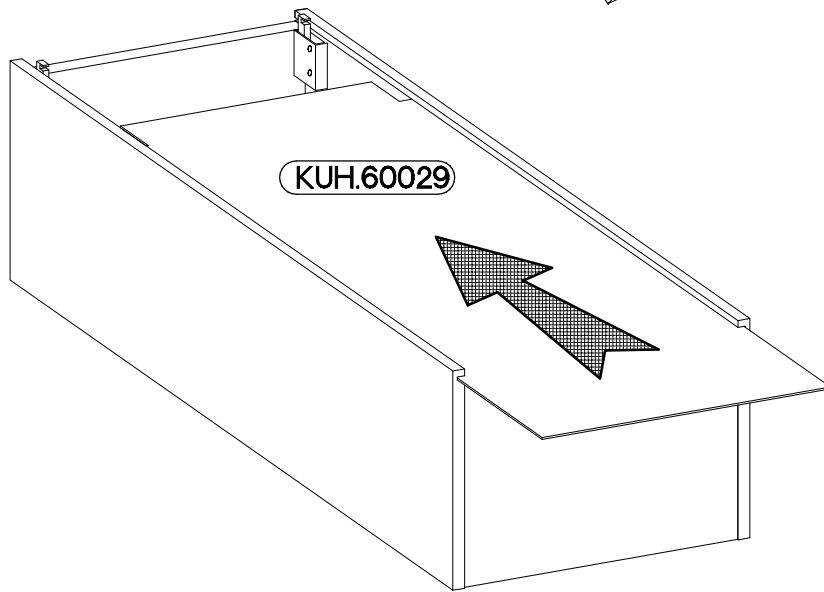
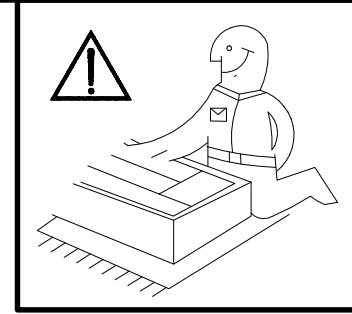
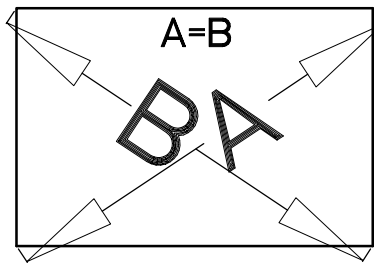


3

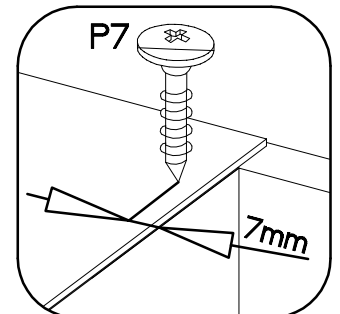
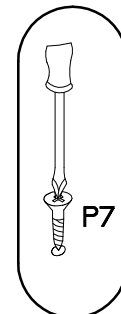
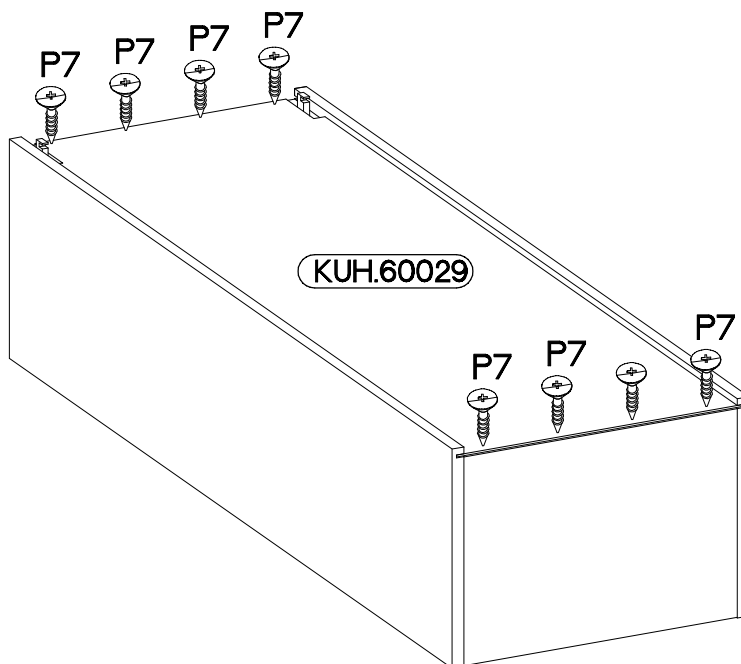
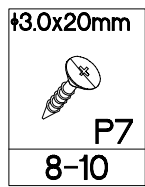
6,4 x 50mm		
		
B	O	E1
4	1	4



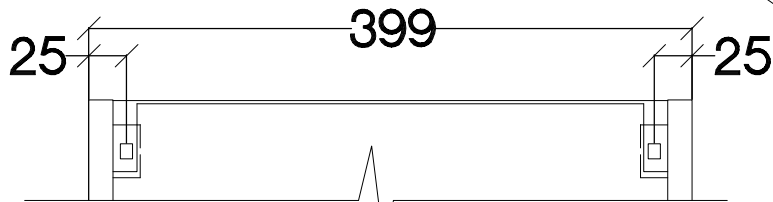
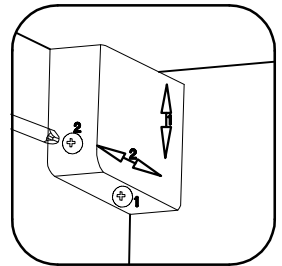
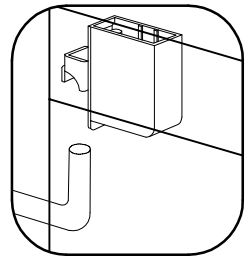
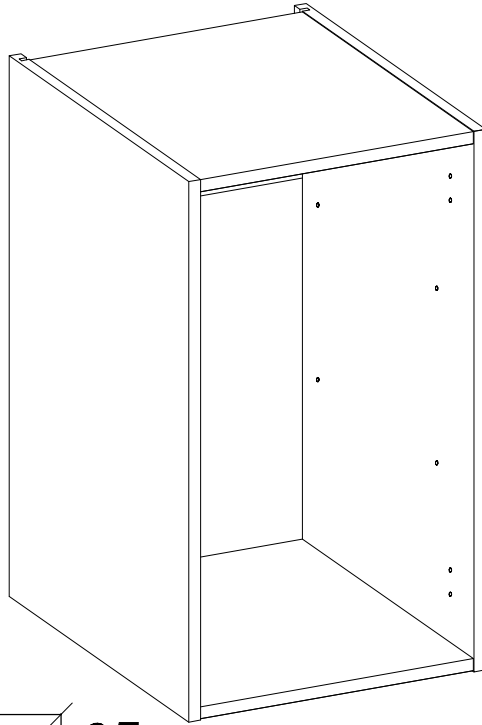
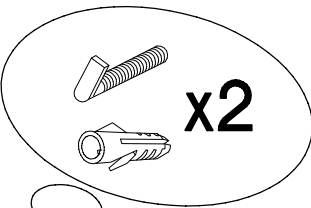
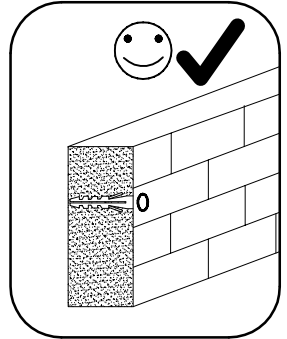
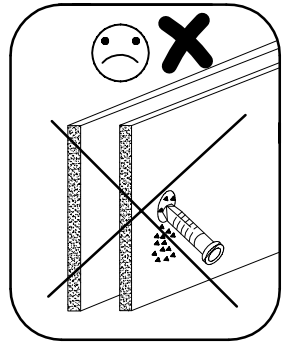
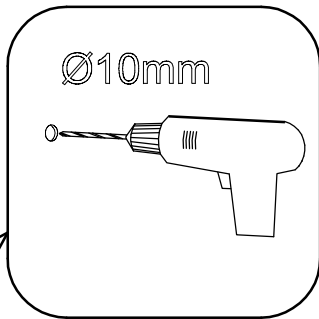
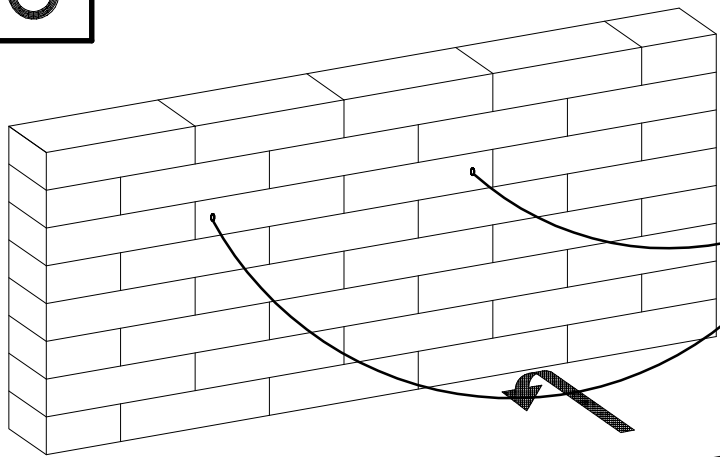
4



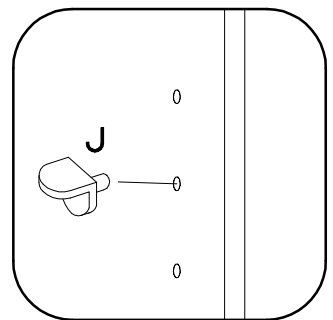
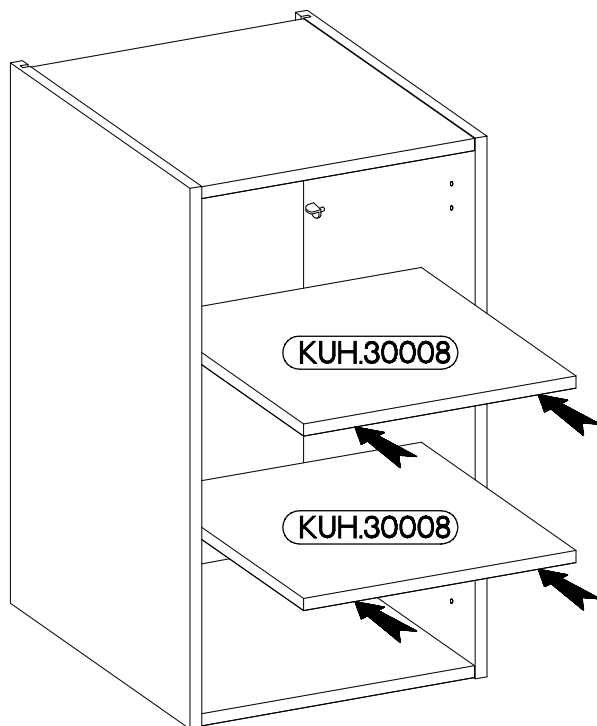
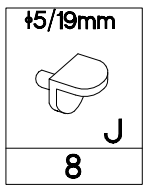
5

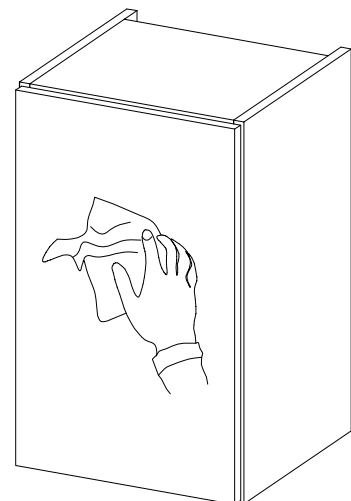
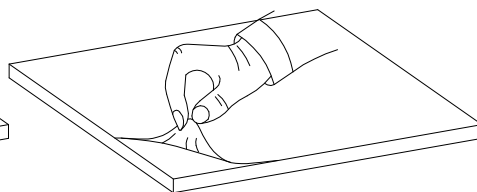
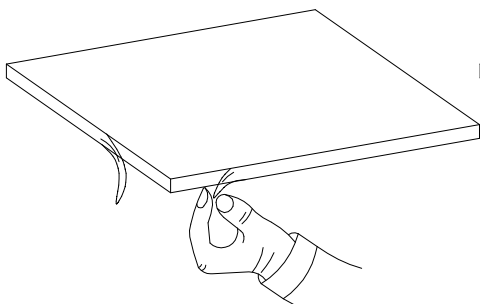
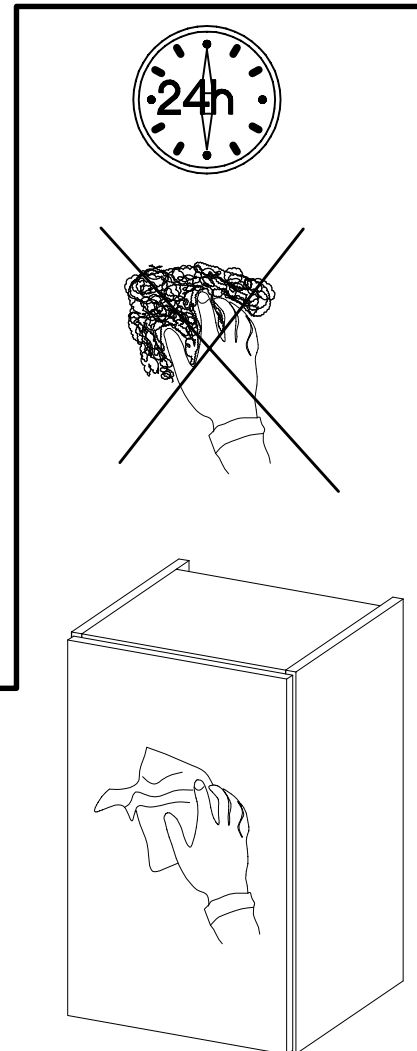
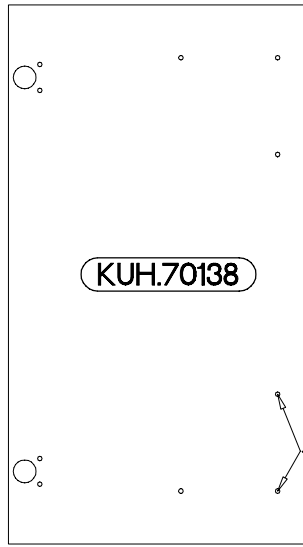
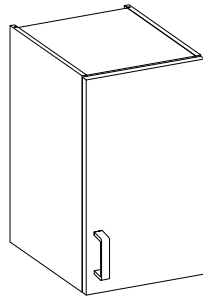
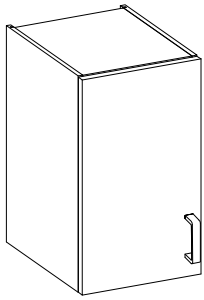
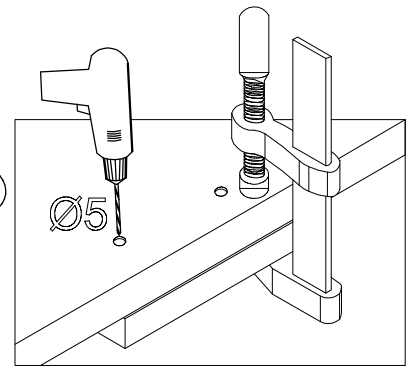
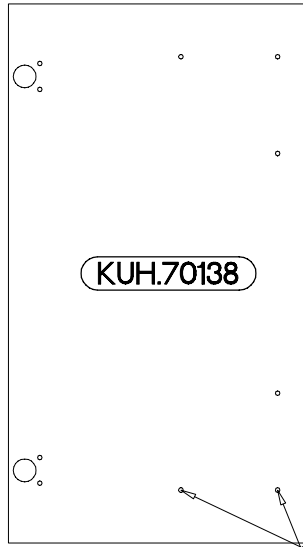
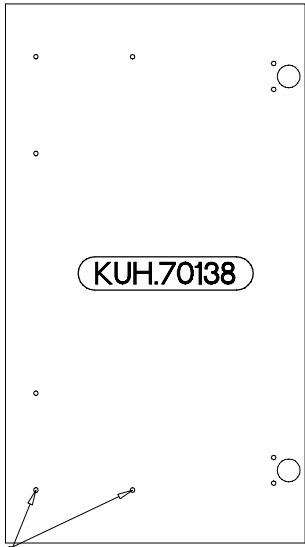
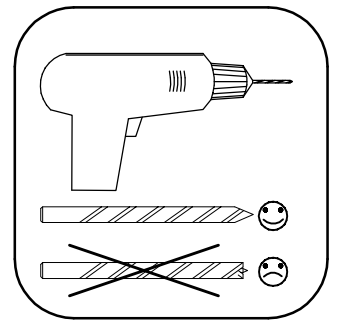
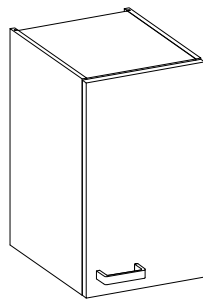
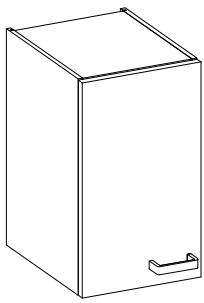



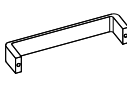
6

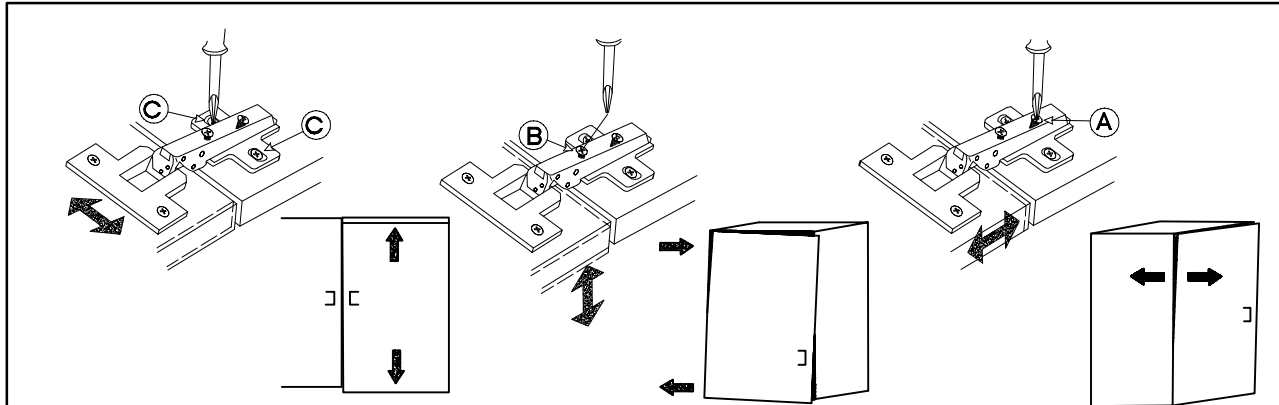
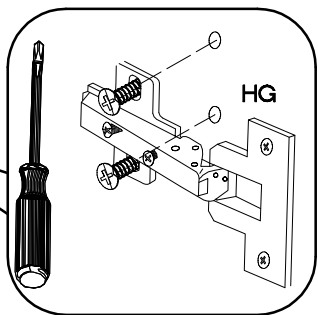
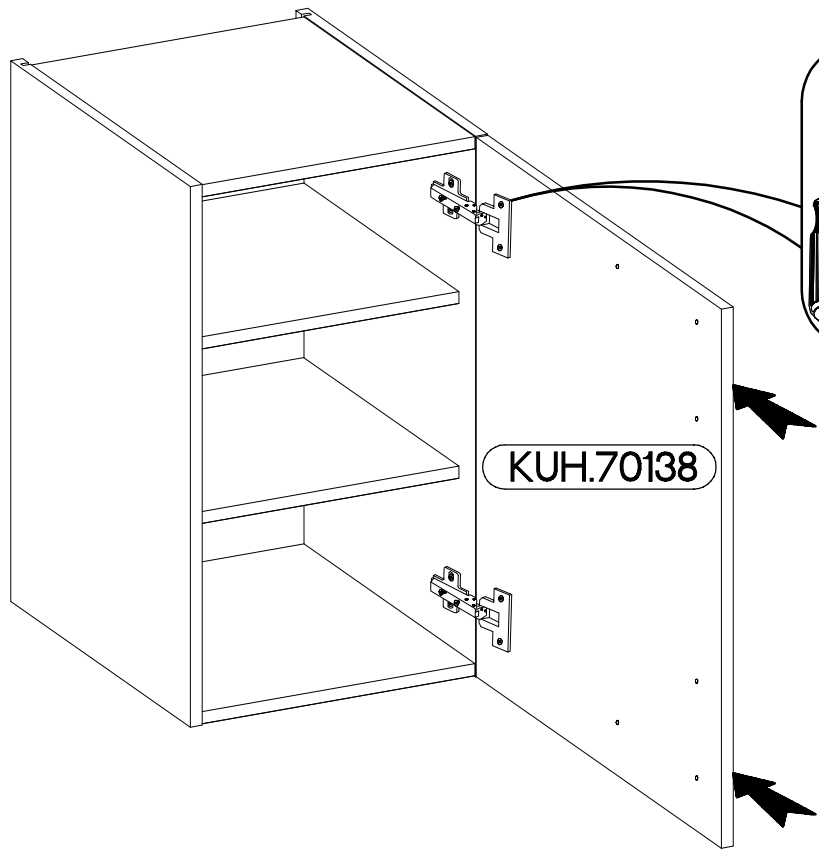
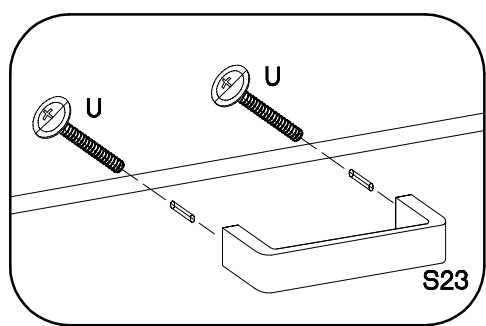
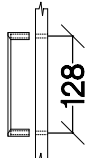


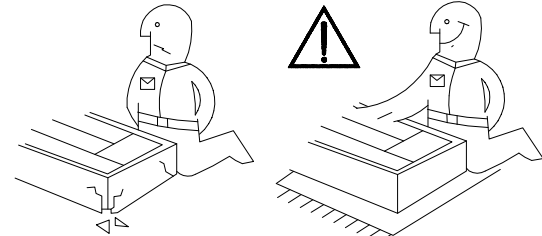
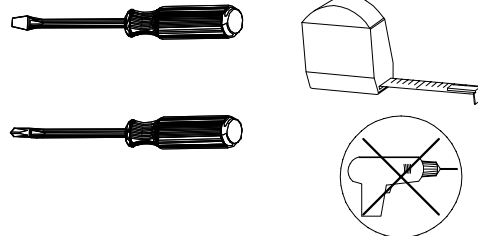
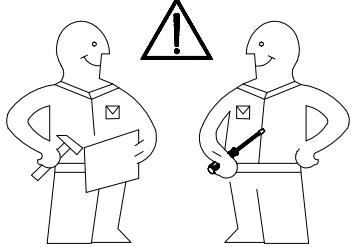
7



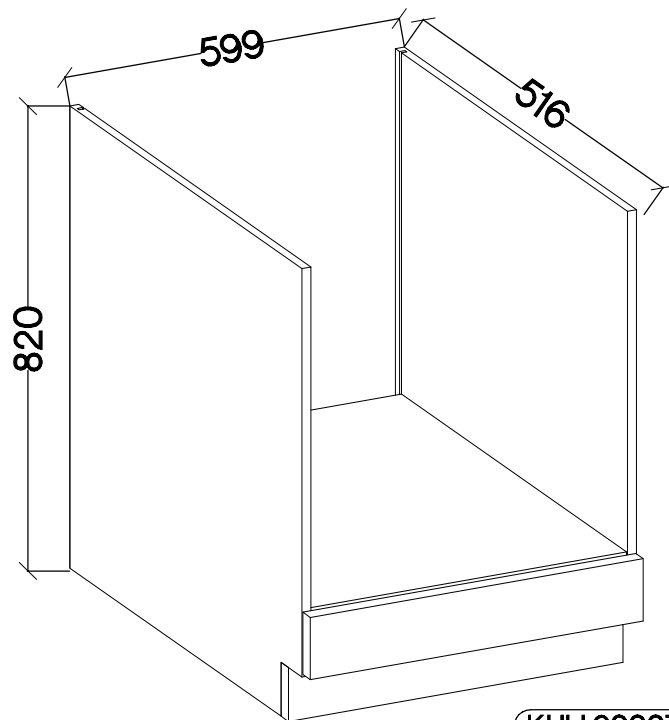
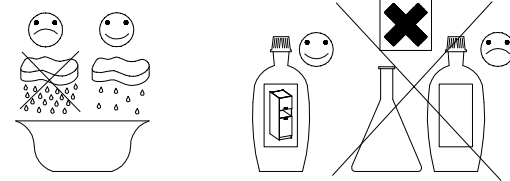


M4x22mm		
2	U	S23
2		1

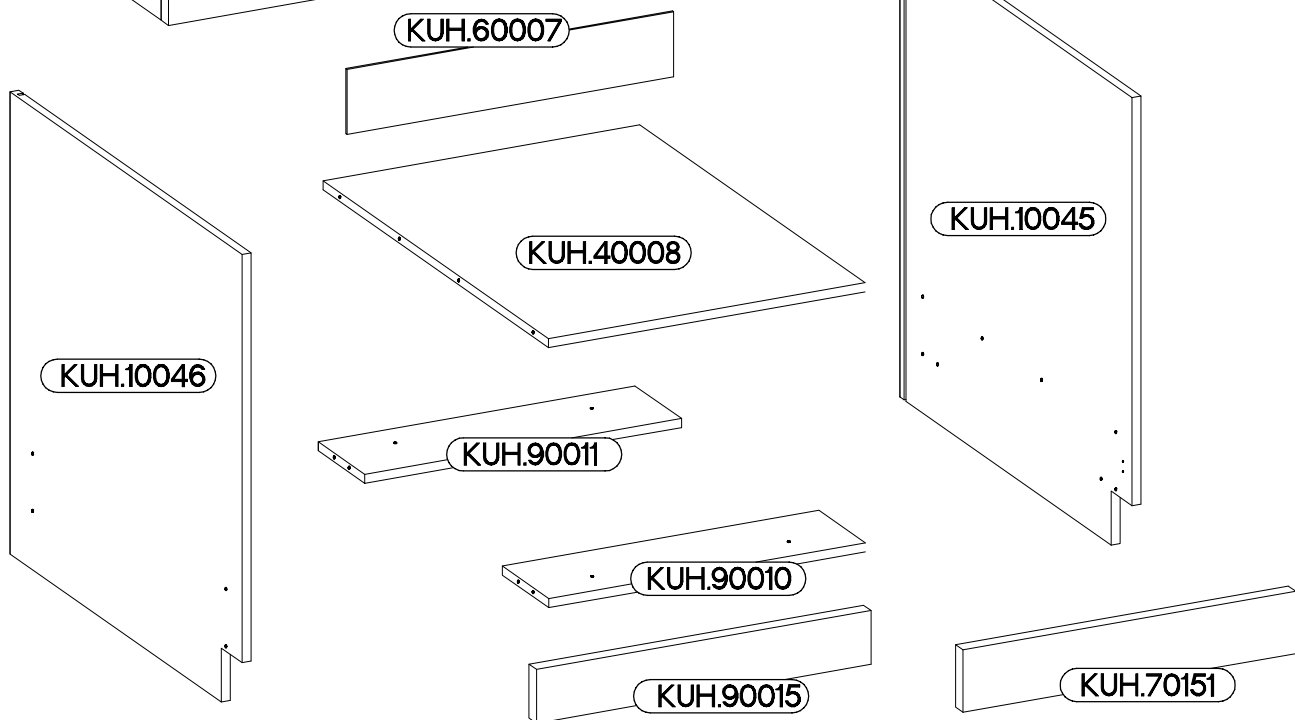
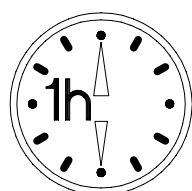




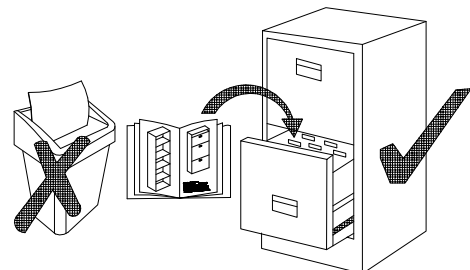
60 D GAZ BB



KUH.40008

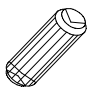
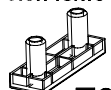




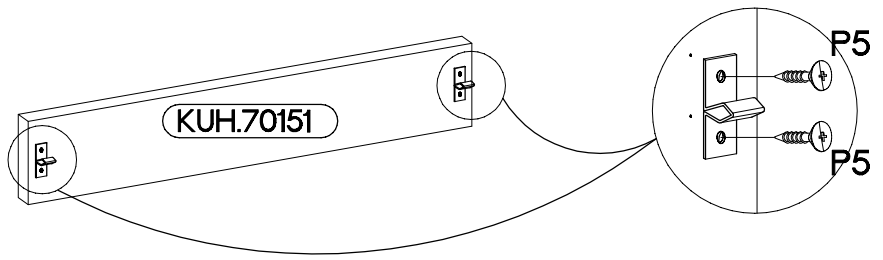
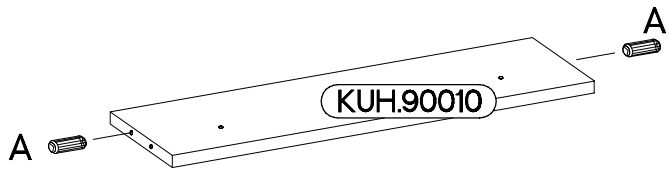
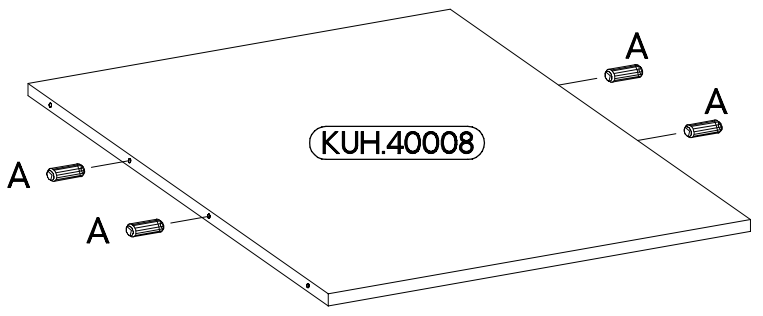
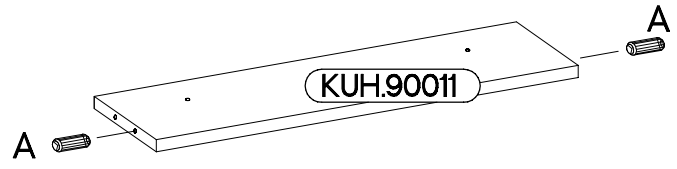
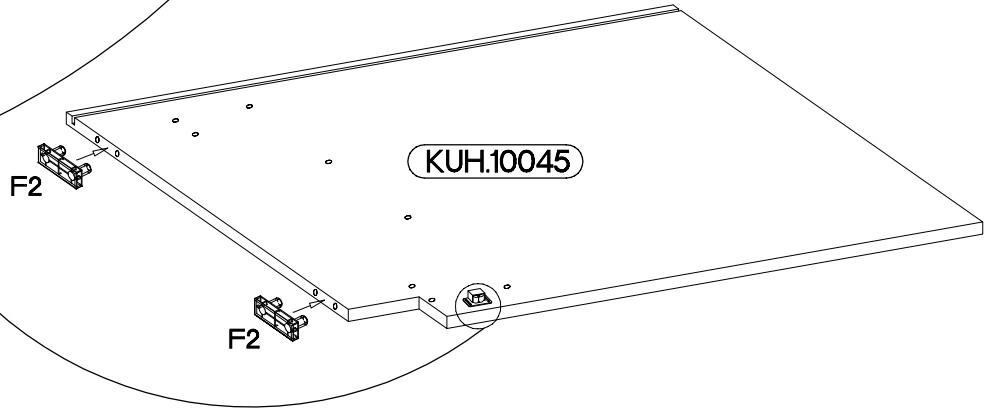
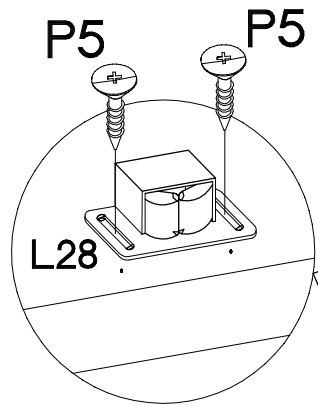
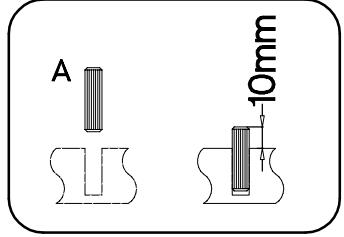
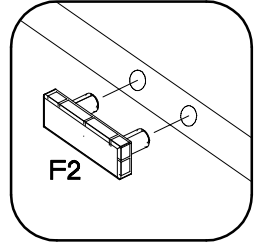
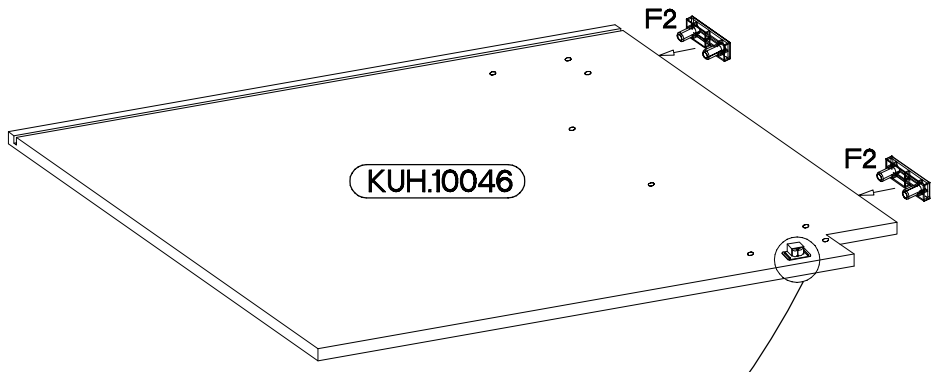
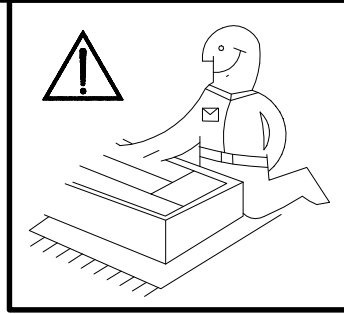
 A 8	 B 8	 E1 8	 E9 2	 F2 4
 L28 2	 O 0	 P4 2	 P5 8	 P7 8-10
		 +4.0x45mm	 +3.5x13mm	 +3.0x20mm



ISM-KUH-00942

1

±8x30mm  A 8	6.5x48x16  F2 4	 L28 2	±3.5x13mm  P5 8
---	--	--	--



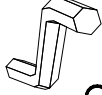
2

6,4 x 50mm



B

2



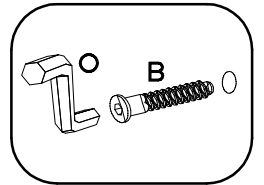
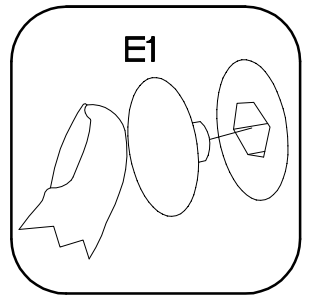
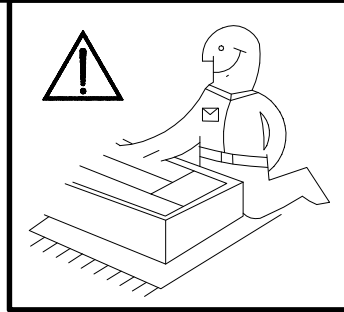
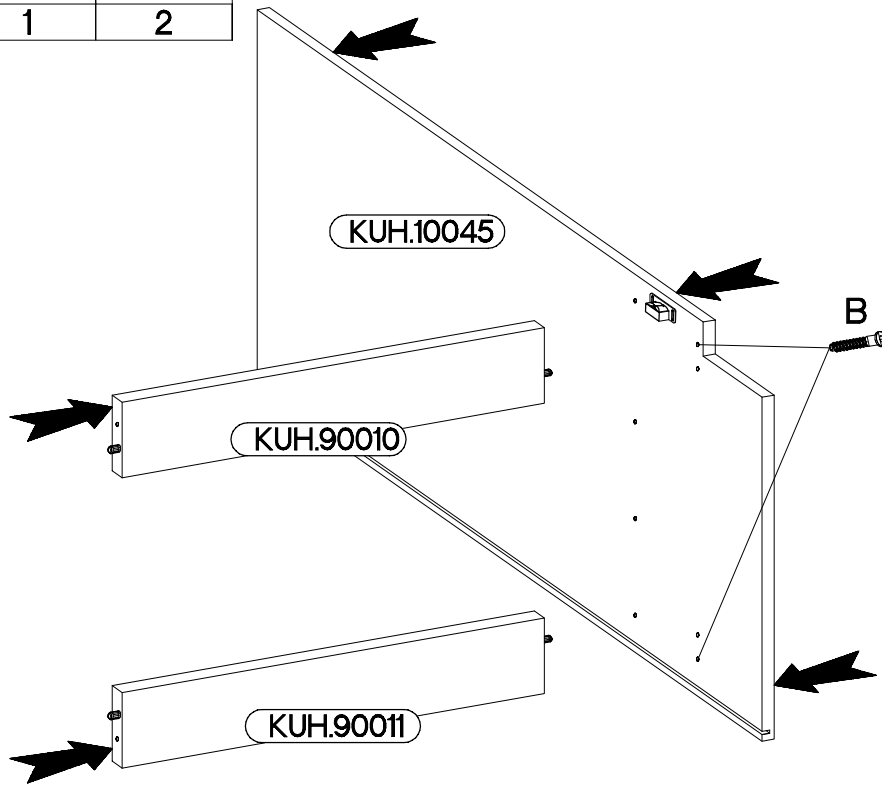
O

1



E1

2



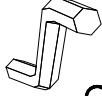
3

6,4 x 50mm



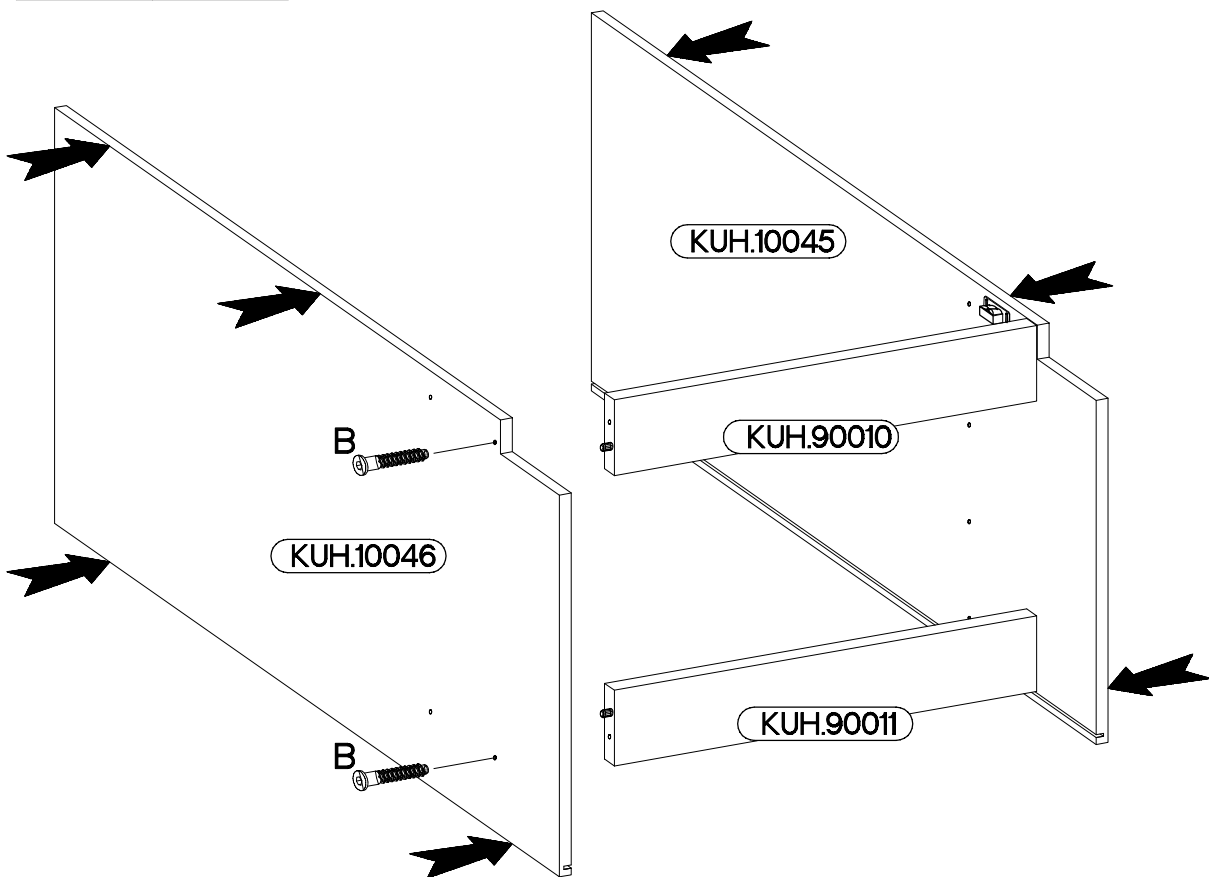
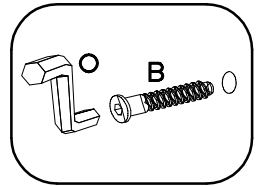
B

2




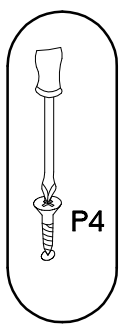
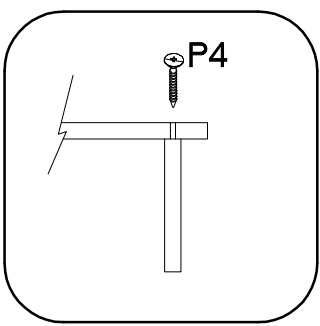
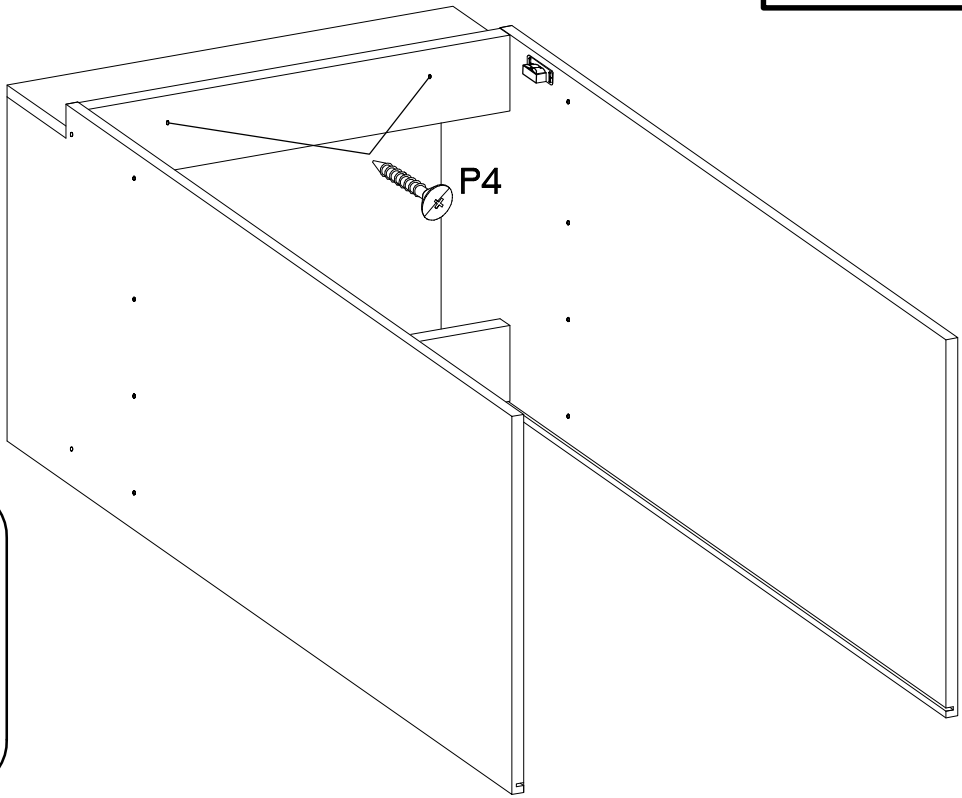
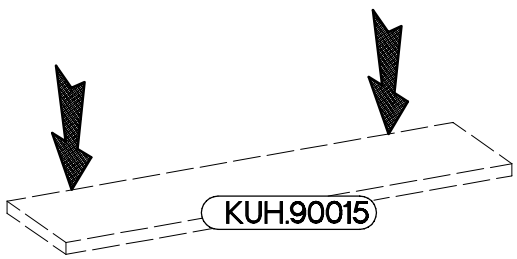
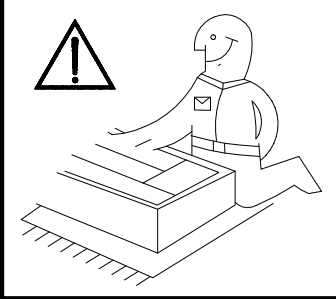
O

1

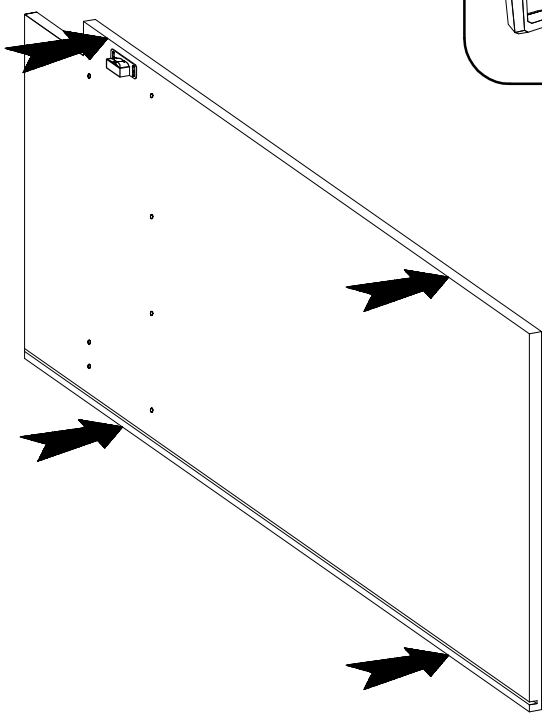
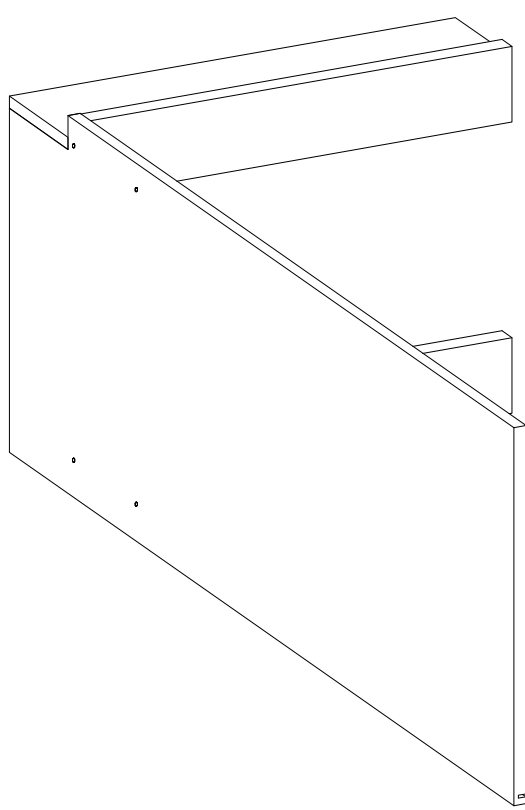
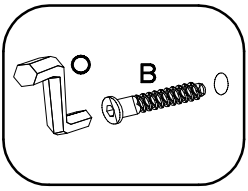


4

	$\pm 4.0 \times 45 \text{mm}$
E9	P4
2	2

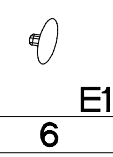
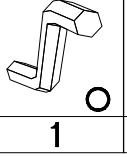
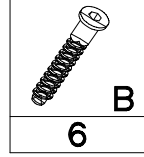


5



6

6,4 x 50mm



B

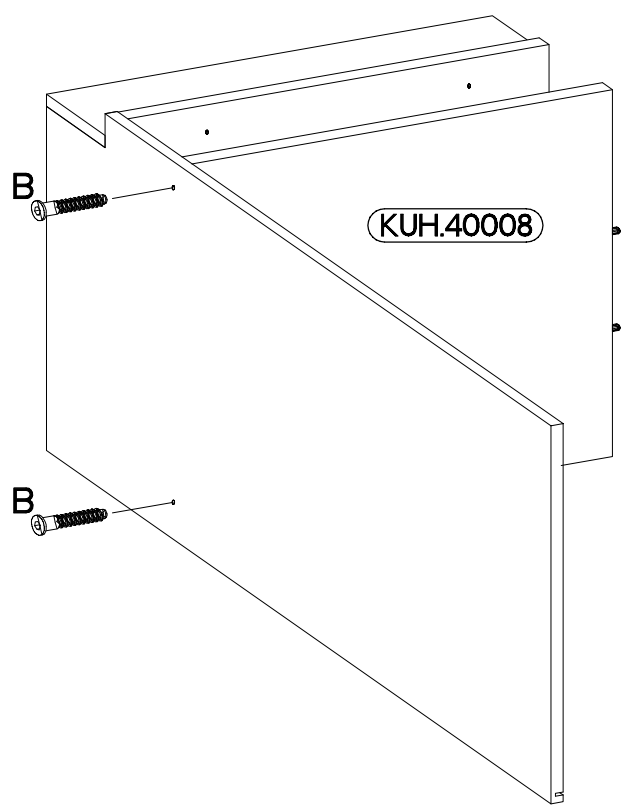
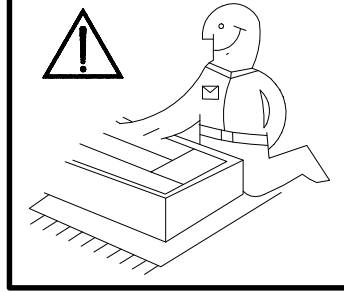
O

E1

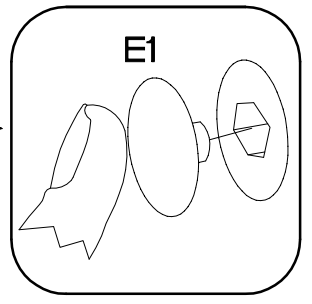
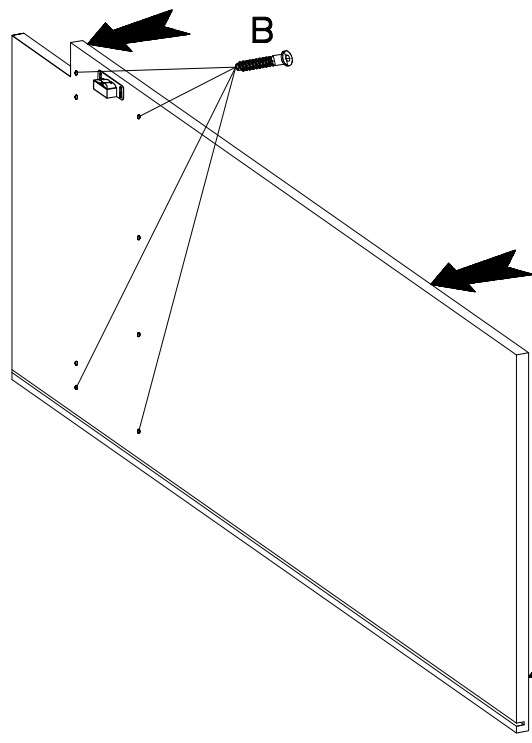
6

1

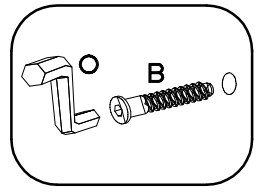
6



KUH.40008



E1

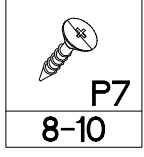


O

B

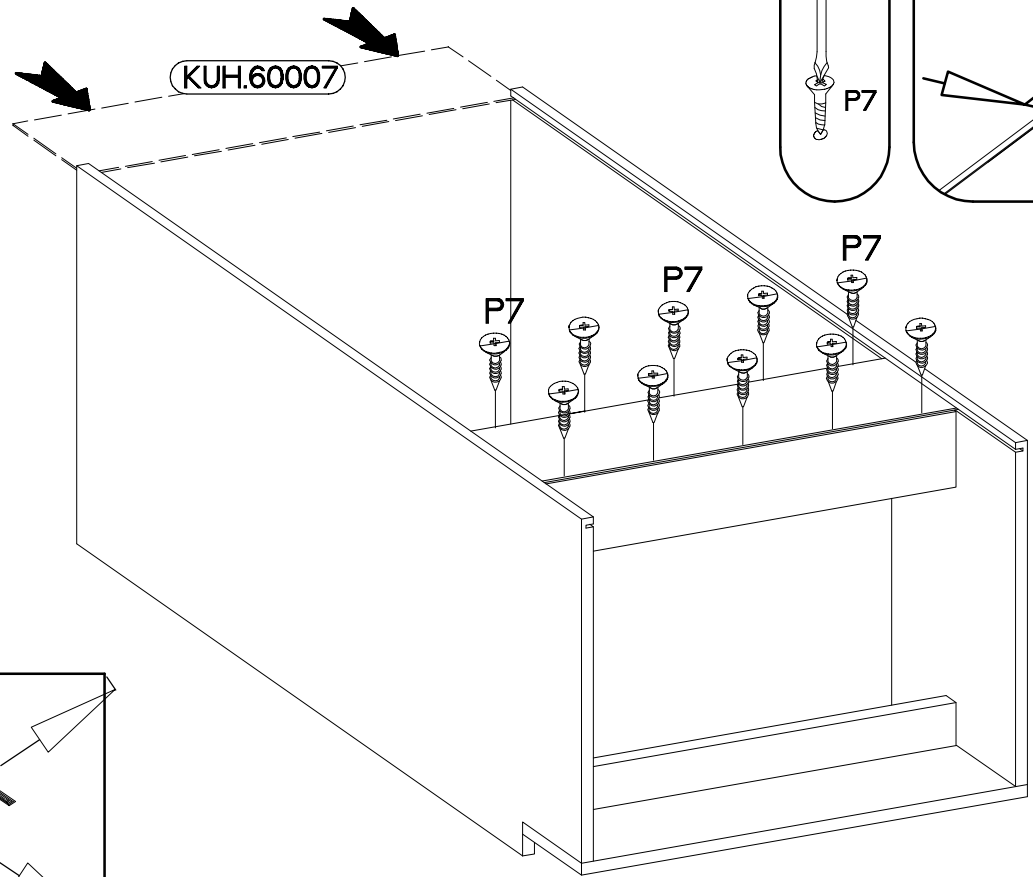
7

3.0x20mm

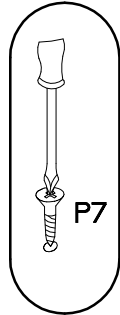


P7

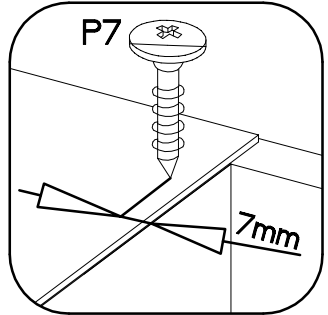
8-10



KUH.60007

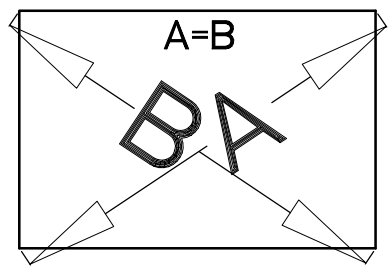


P7



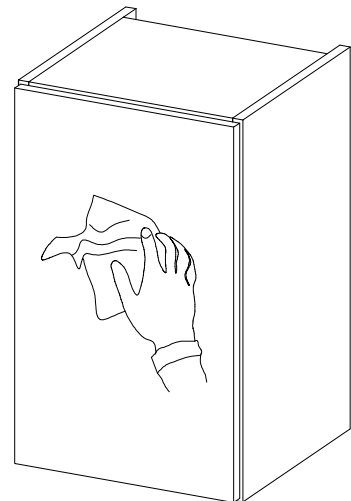
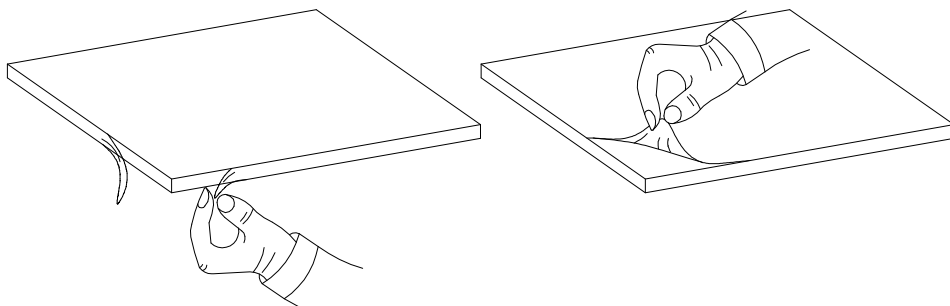
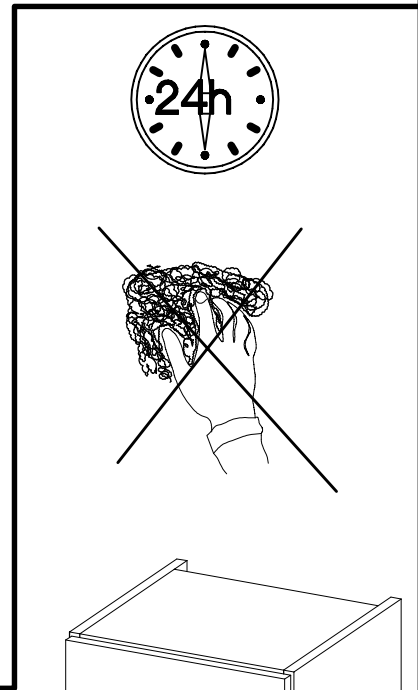
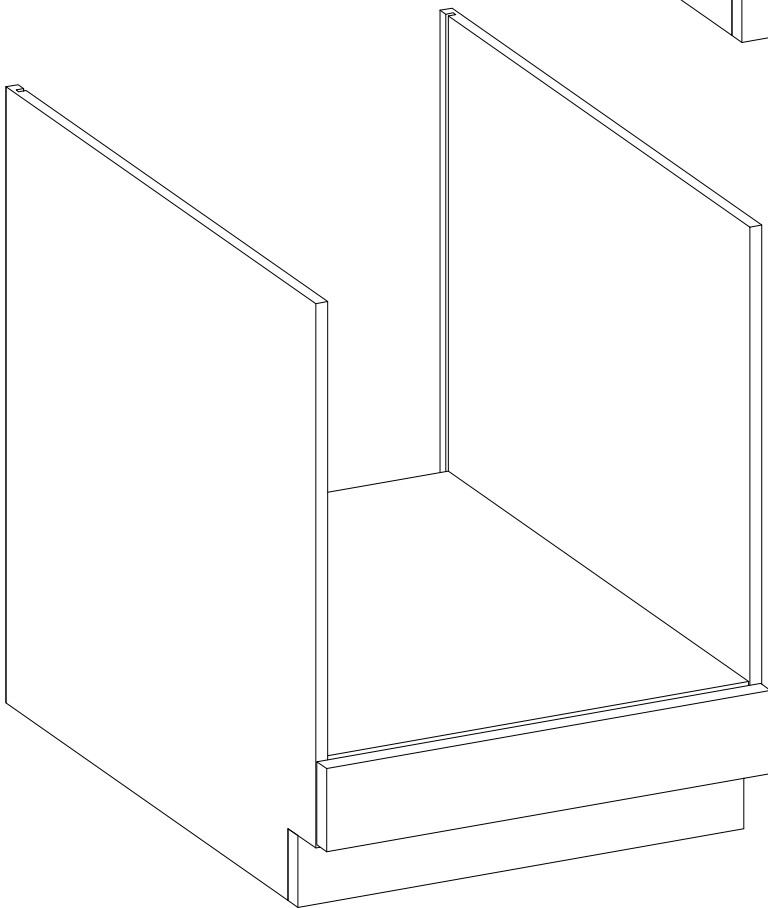
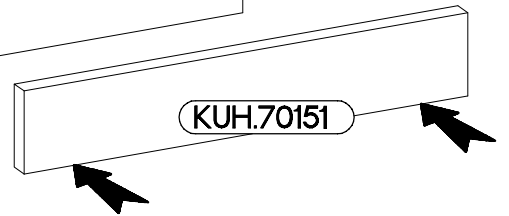
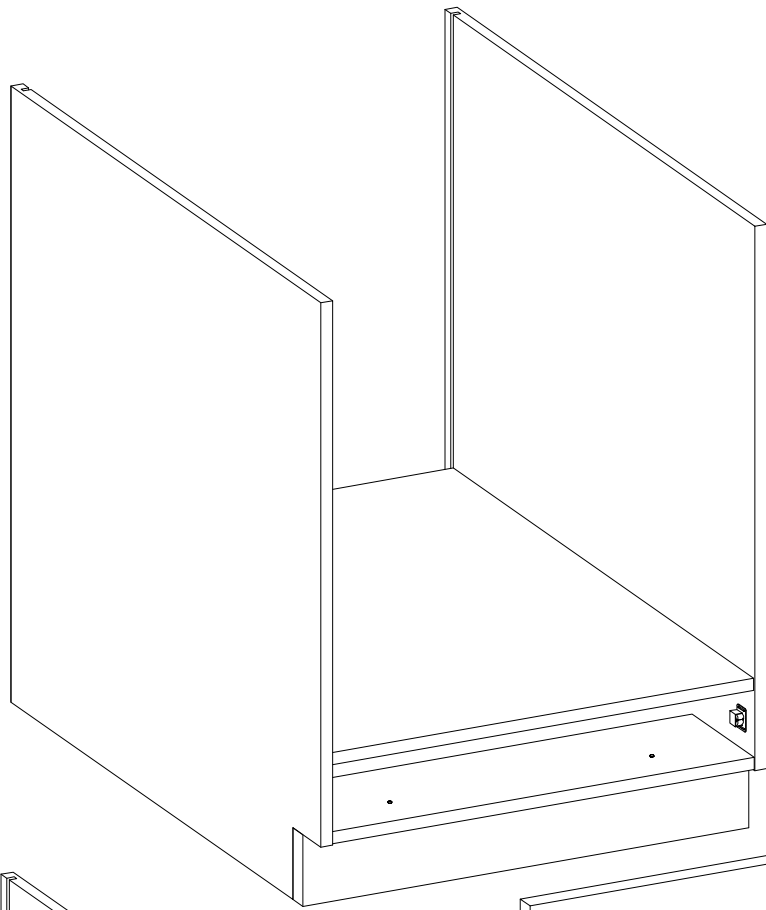
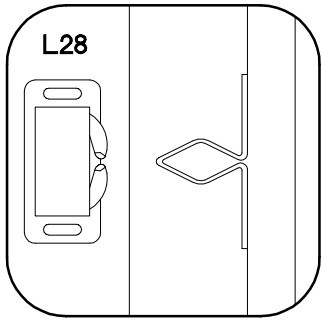
P7

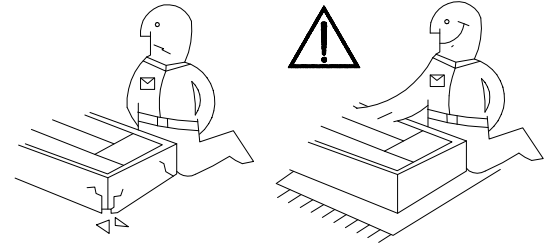
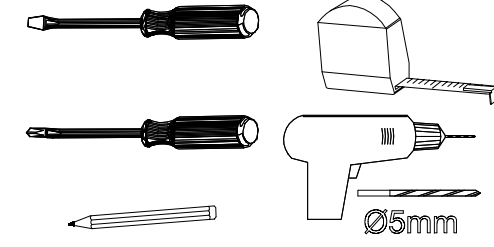
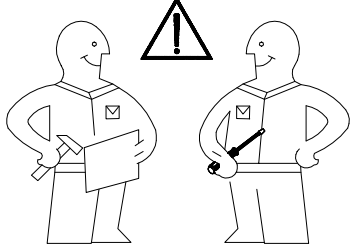
7mm



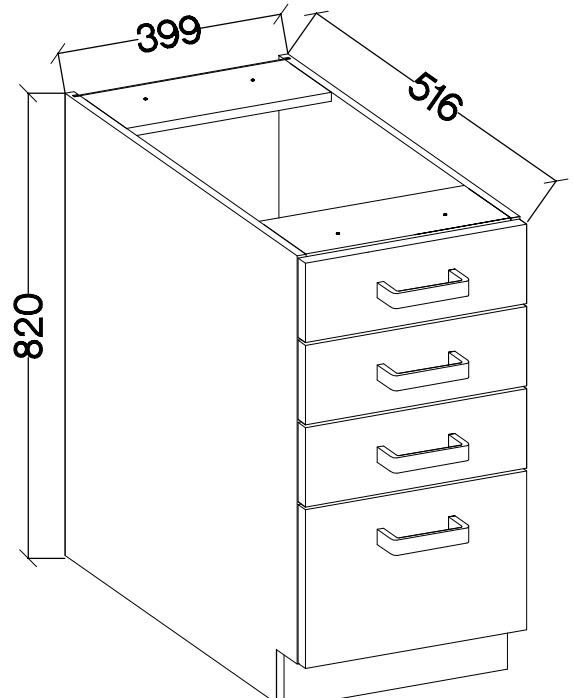
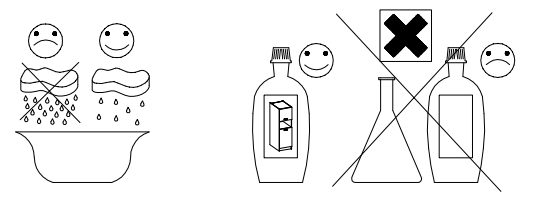
A=B

BA





40 D 4S BB

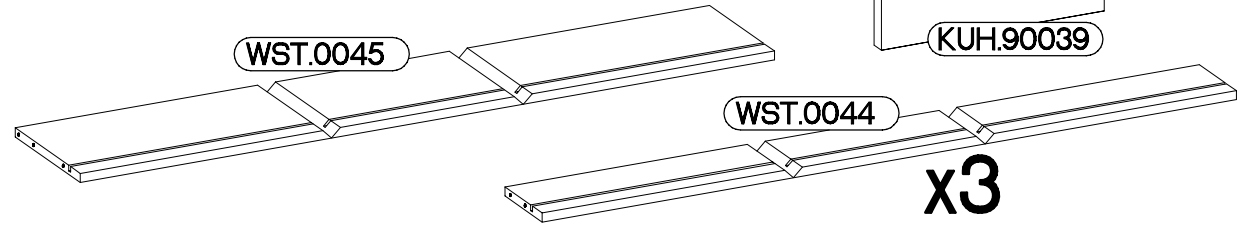
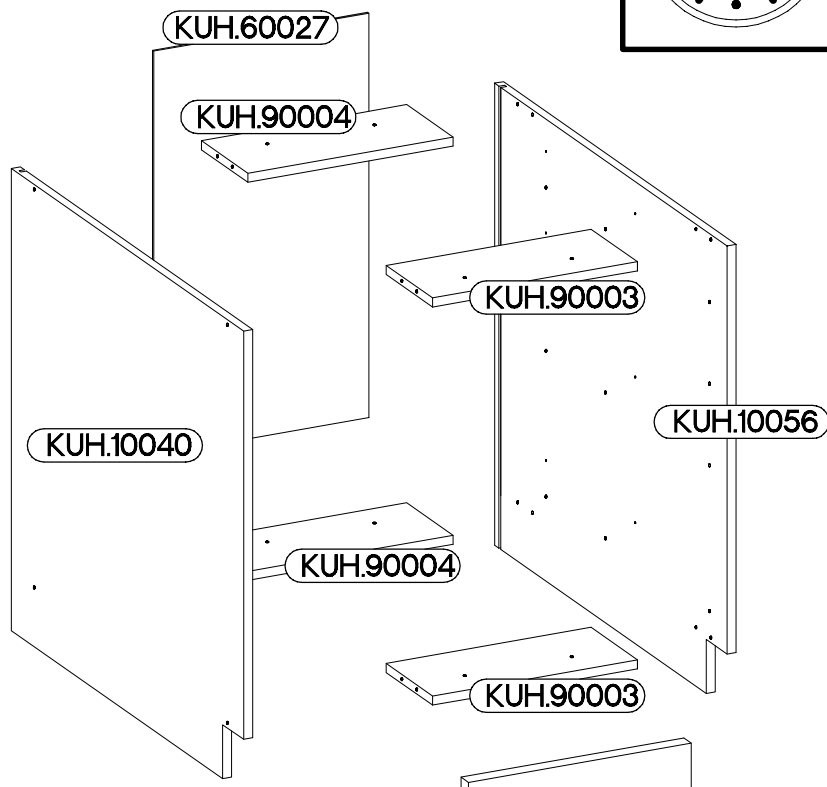
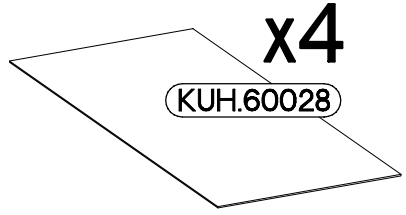


max. 5kg

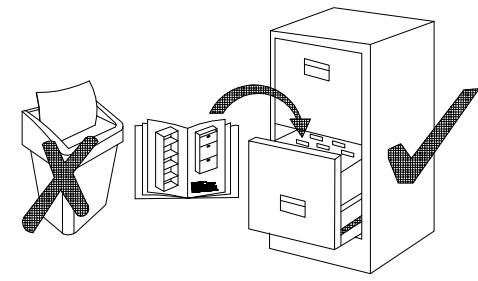
KUH.60028



- KUH.70149
- KUH.70149
- KUH.70149
- KUH.70150

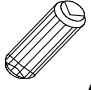



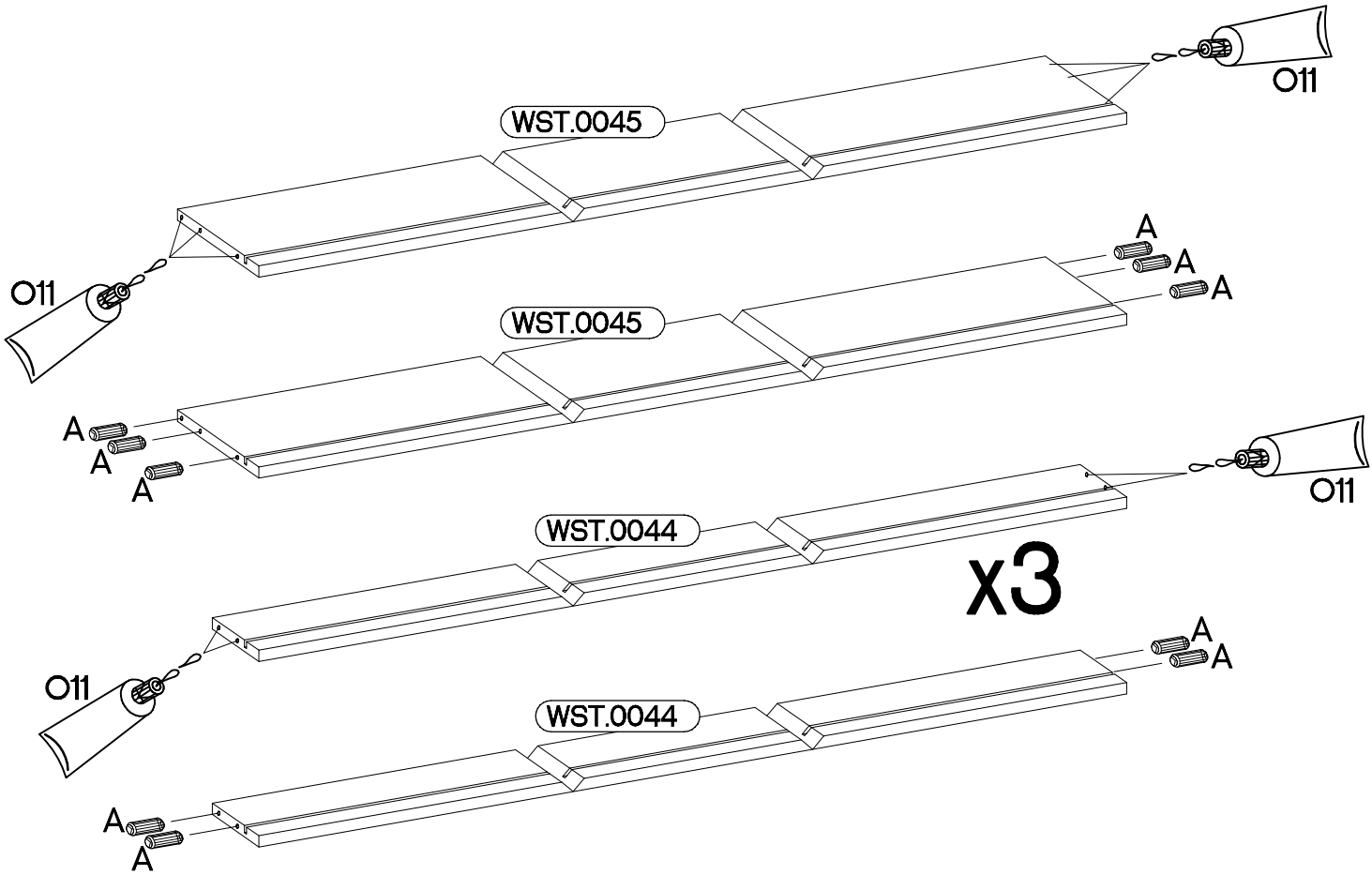
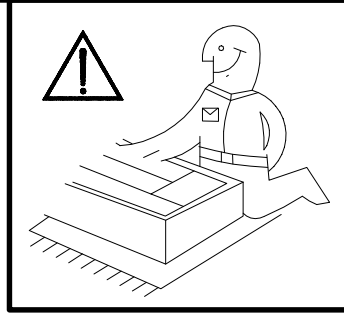
<p>†8x30mm</p> <p>A</p> <p>26</p>	<p>6,4 x 50mm</p> <p>B</p> <p>8</p>	<p>E1</p> <p>8</p>	<p>E9</p> <p>2</p>	<p>6.5x48x16</p> <p>F2</p> <p>4</p>	<p>L=450mm</p> <p>I5</p> <p>4</p>
<p>†5.0x13mm</p> <p>M</p> <p>24</p>	<p>O</p> <p>1</p>	<p>O11</p> <p>1</p>	<p>†4.0x45mm</p> <p>P4</p> <p>2</p>	<p>†3.5x13mm</p> <p>P5</p> <p>32</p>	<p>†3.5x20mm</p> <p>P6</p> <p>12</p>
<p>†3.0x20mm</p> <p>P7</p> <p>8-10</p>	<p>†4.0x35mm</p> <p>R3</p> <p>4</p>	<p>S23</p> <p>4</p>	<p>M4x22mm</p> <p>U</p> <p>8</p>	<p>Z3</p> <p>4</p>	<p>Z4</p> <p>4</p>




ISM-KUH-00918

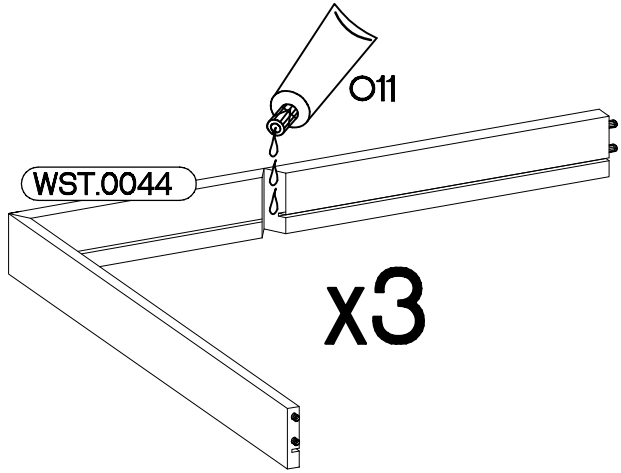
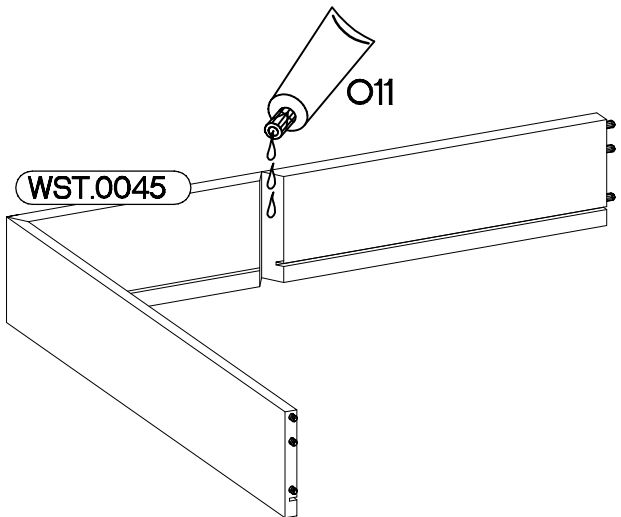
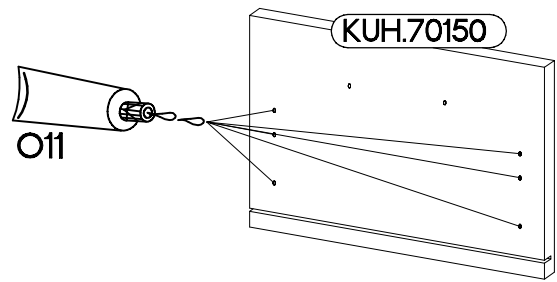
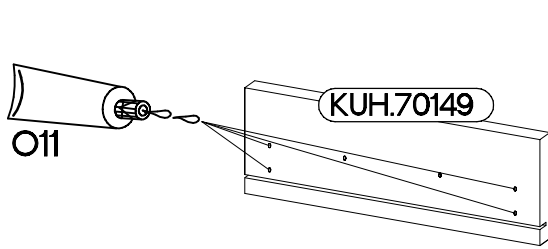
1

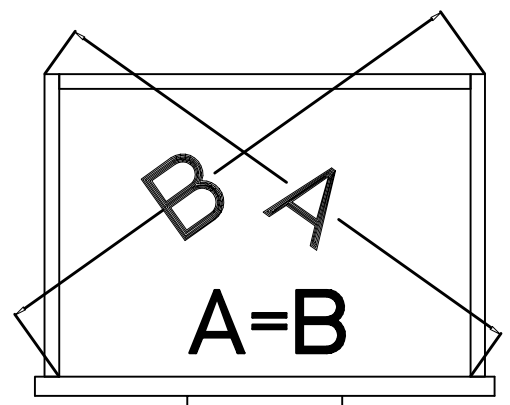
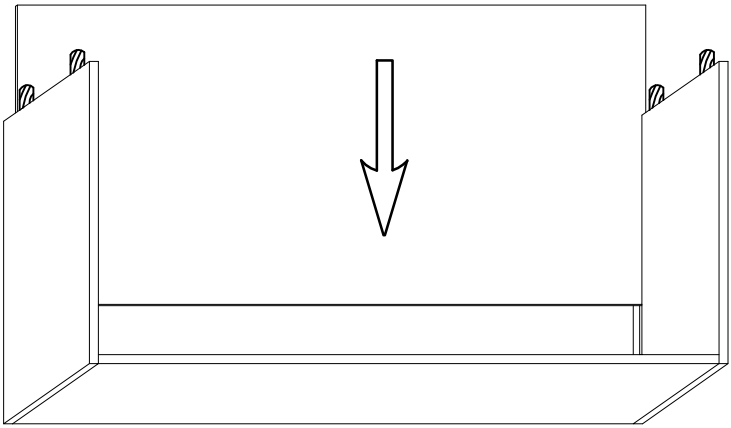
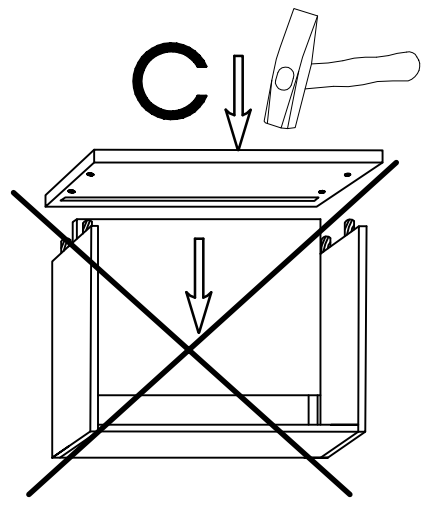
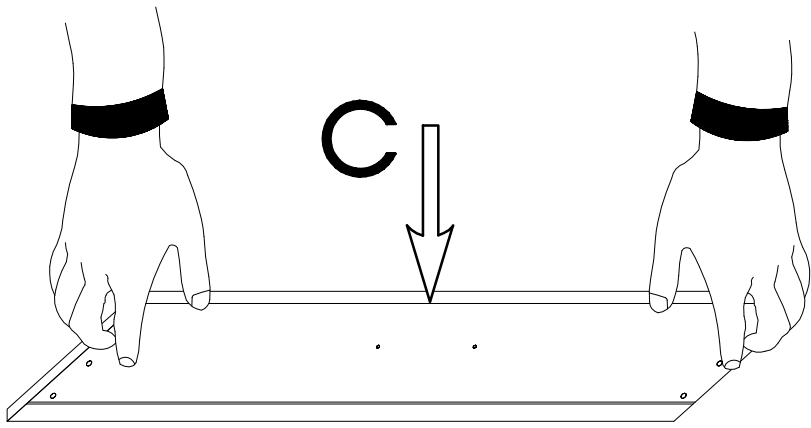
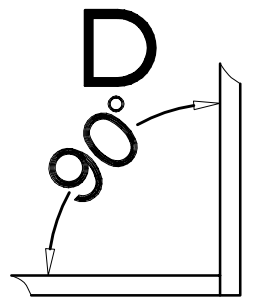
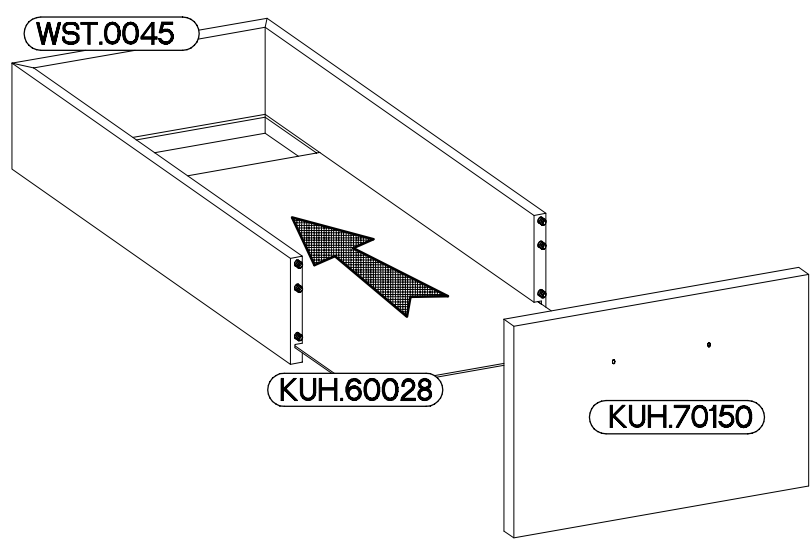
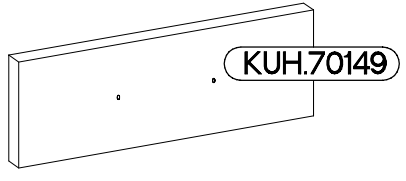
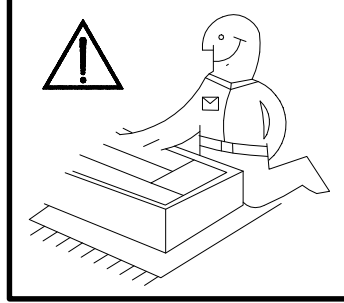
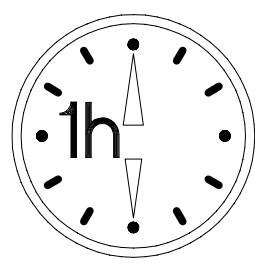
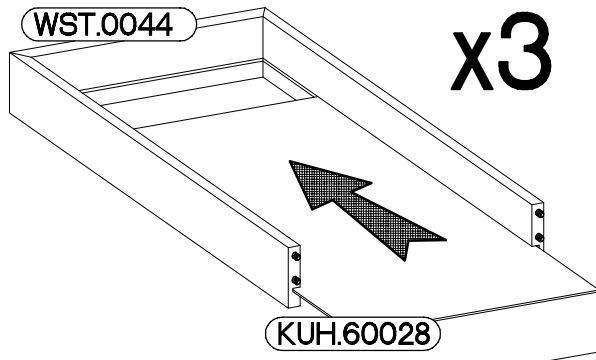
<p>±8x30mm</p>  <p>A</p>	<p>0,05</p>  <p>O11</p>
18	1



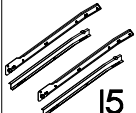


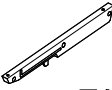

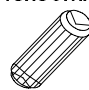
2

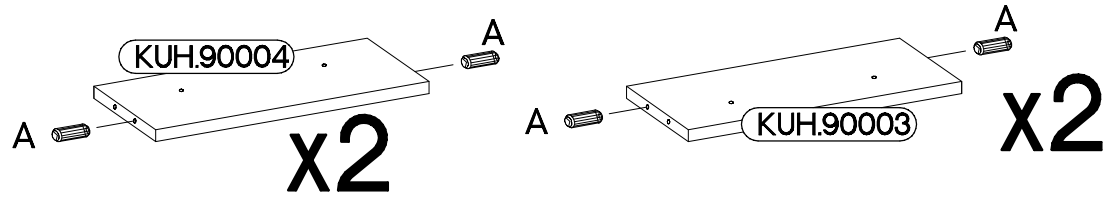
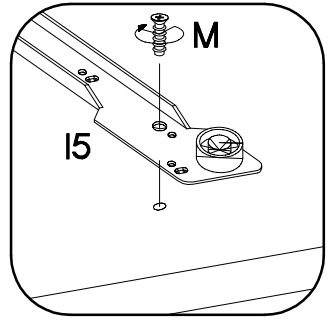
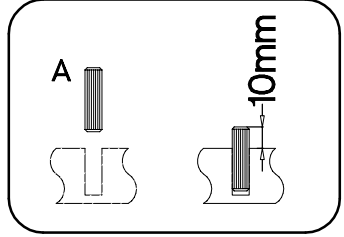
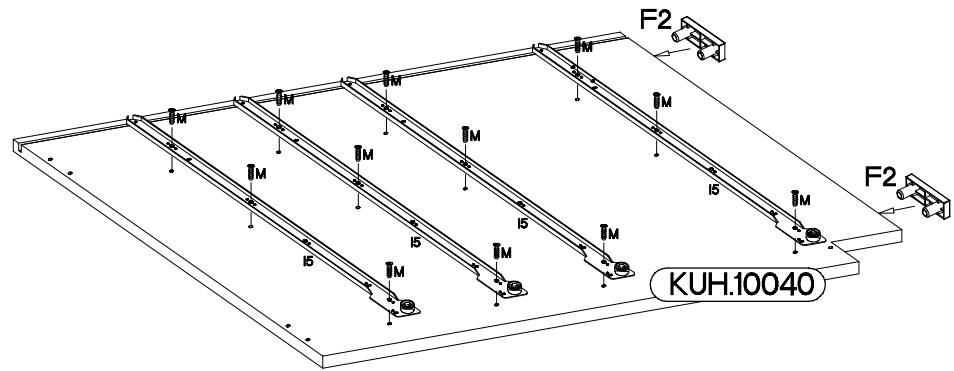
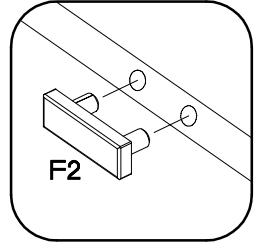
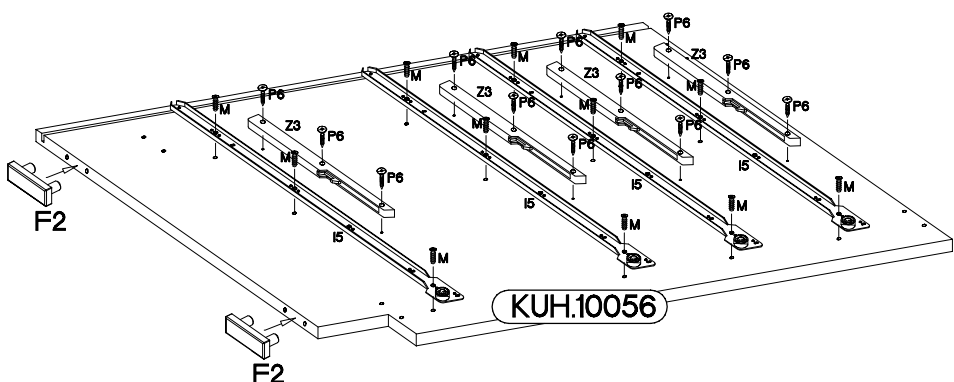
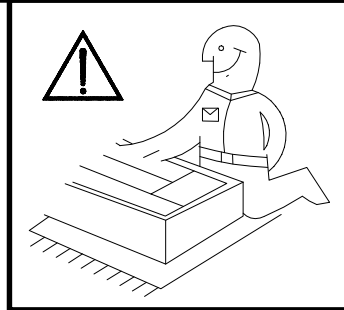
<p>0,05</p>  <p>O11</p>
1




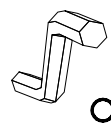



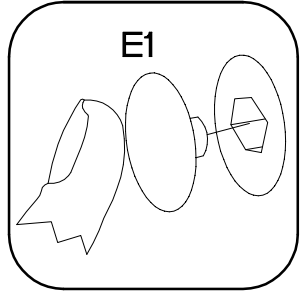
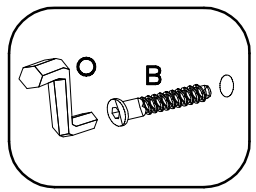
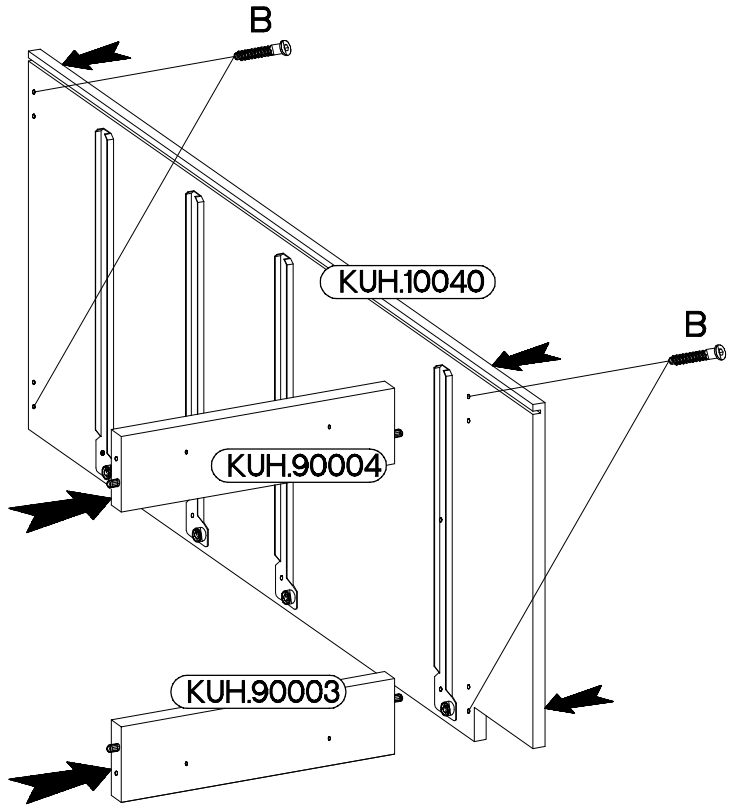
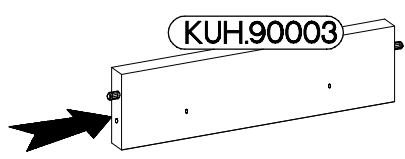
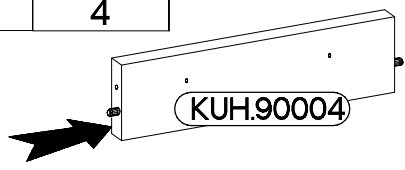
4

L=450mm  I5 4	±5.0x13mm  M 24	6.5x48x16  F2 4	 Z3 4	±3.5x20mm  P6 12	±8x30mm  A 8
--	--	--	---	---	---



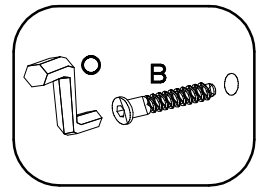
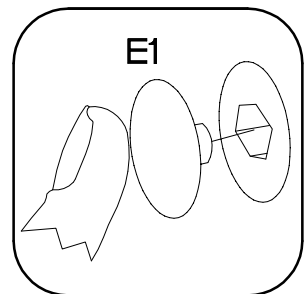
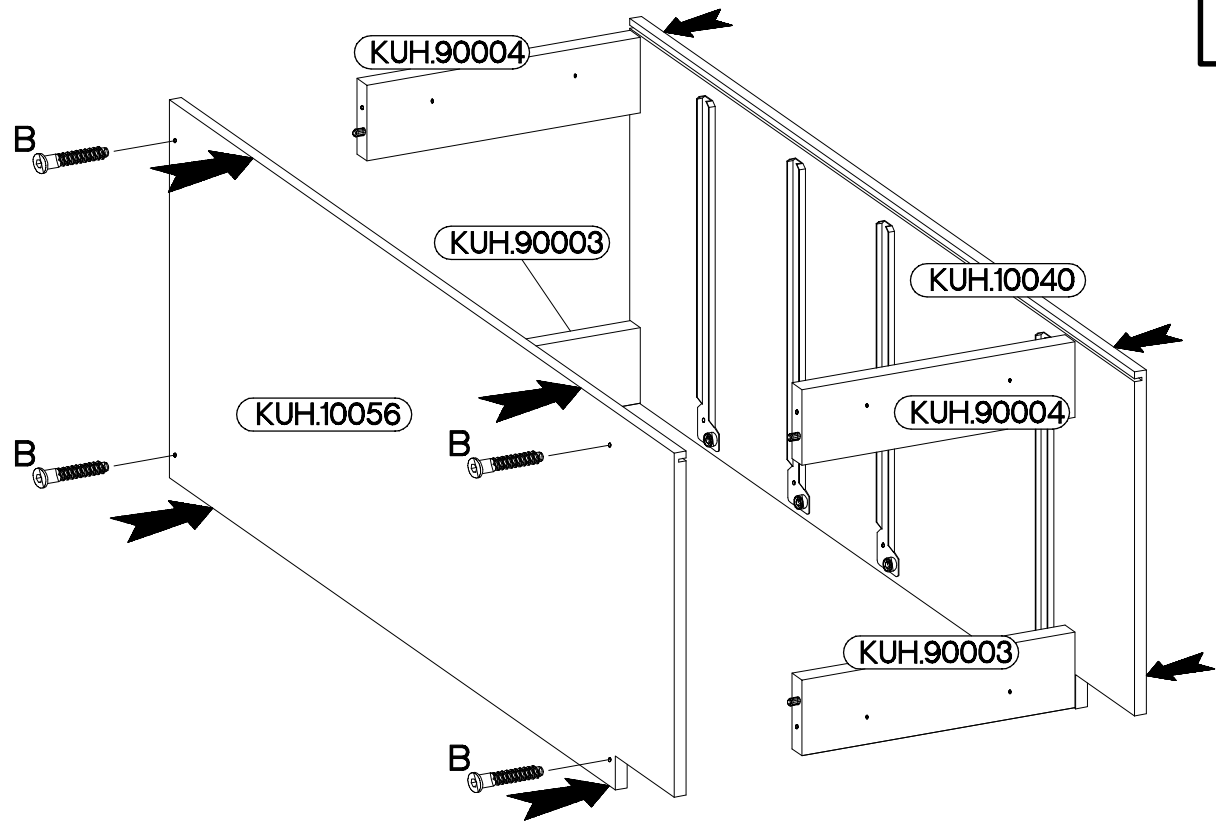
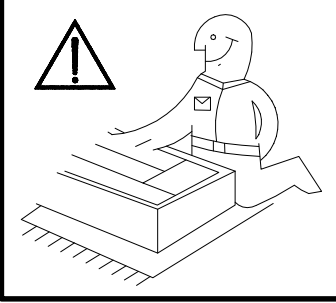
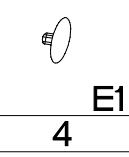
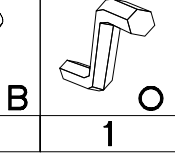
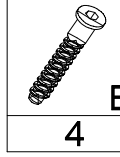
5

6,4 x 50mm  B 4	 O 1	 E1 4
---	---	--

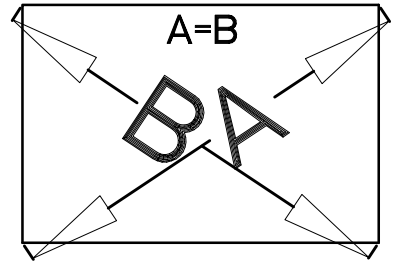
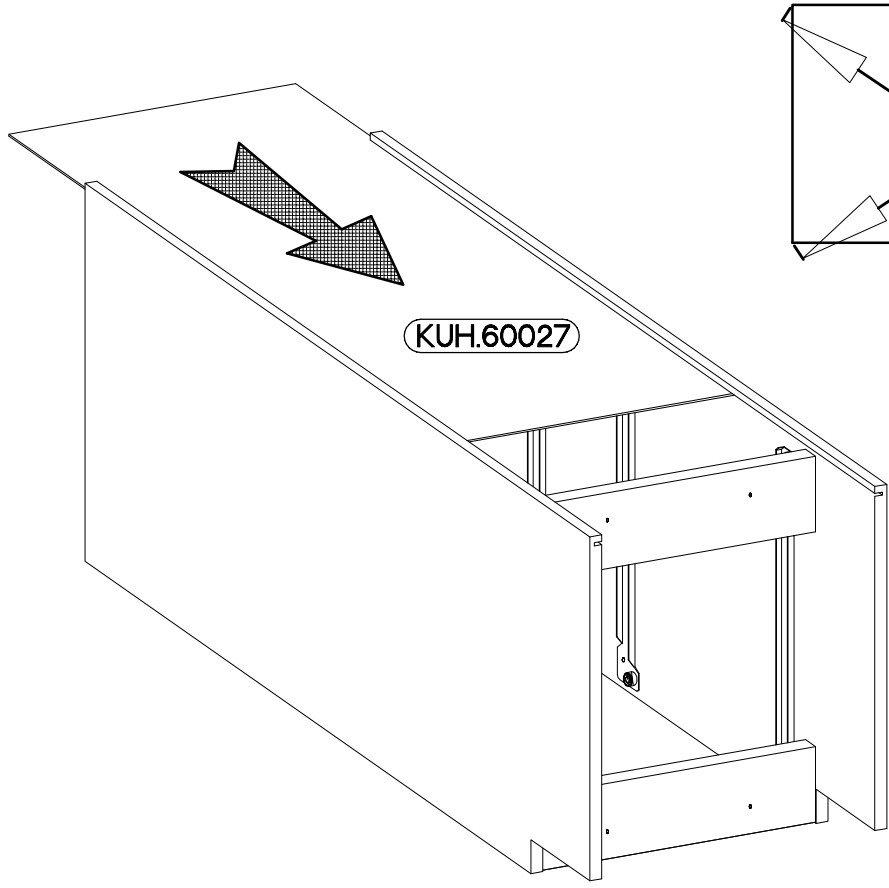


6


6,4 x 50mm

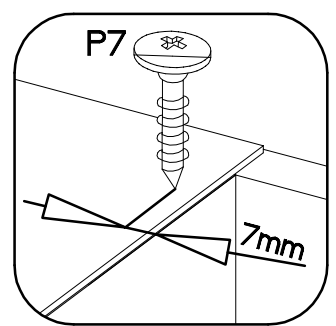
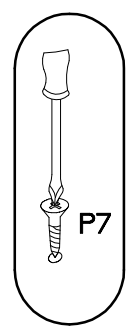
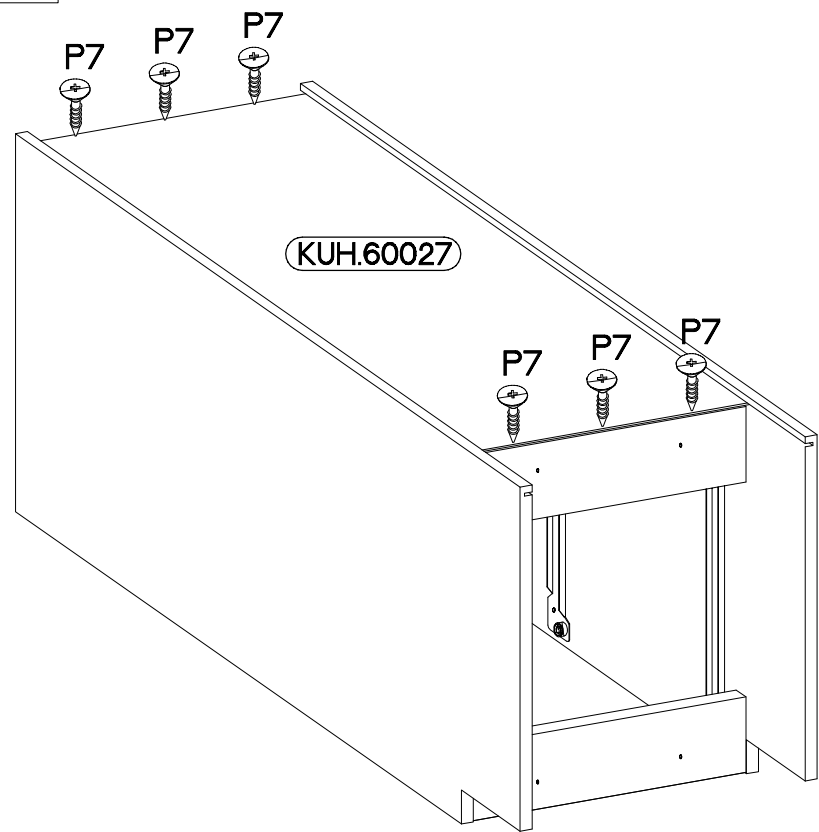
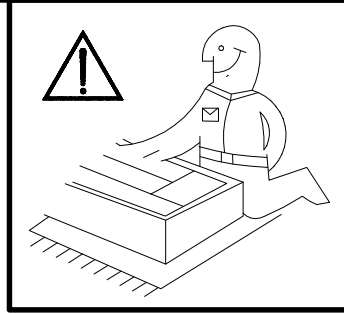


7

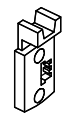



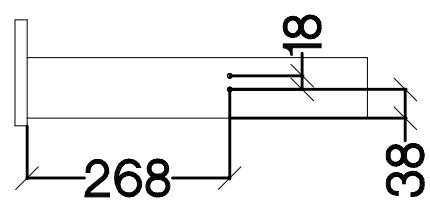
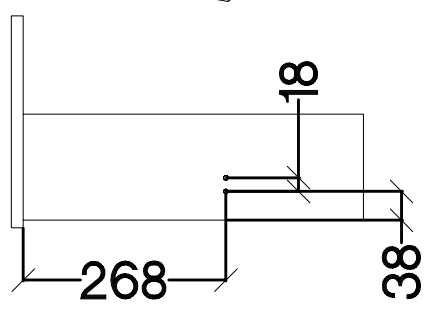
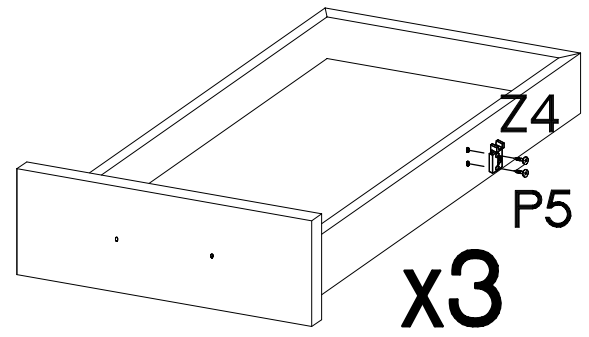
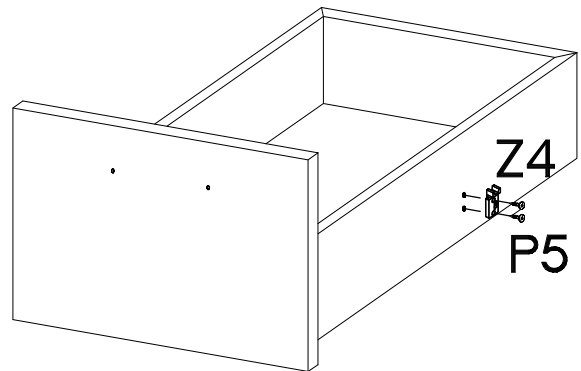
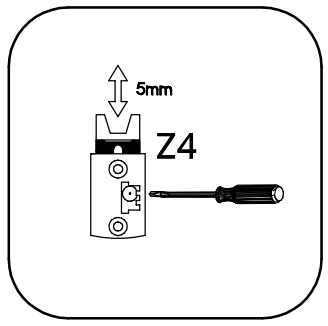
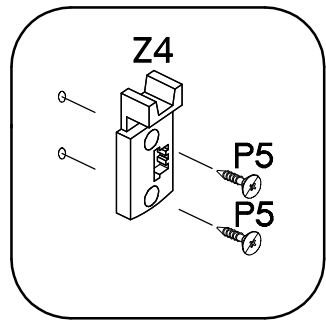
8

±3.0x20mm

P7
8-10





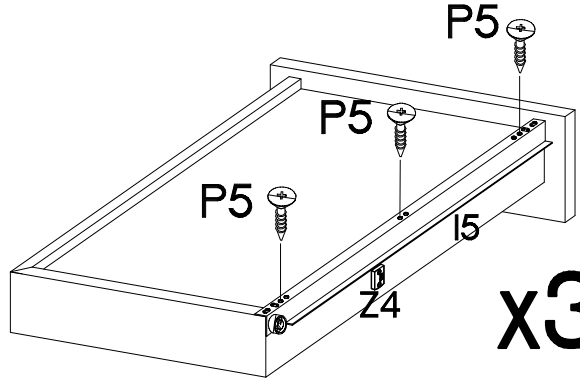
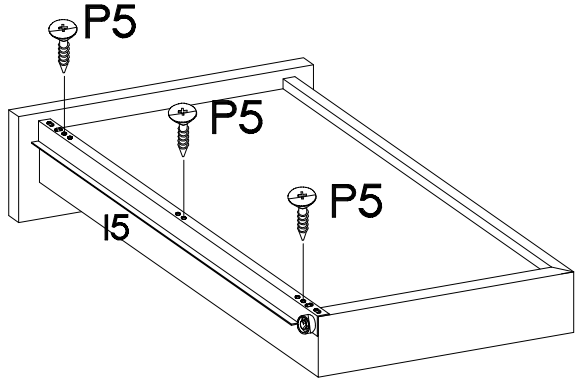
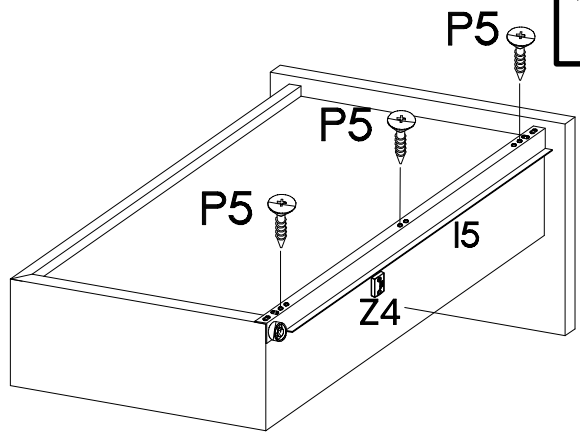
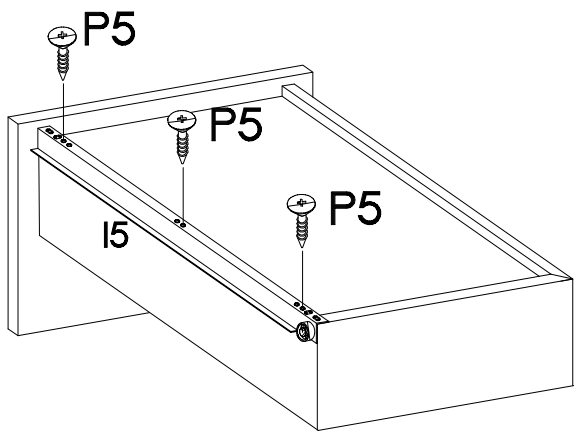
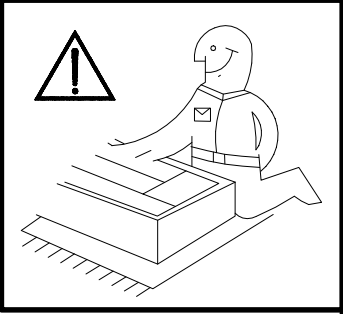
9

±3.5x13mm	
	Z4
8	4




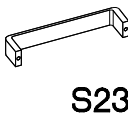
10

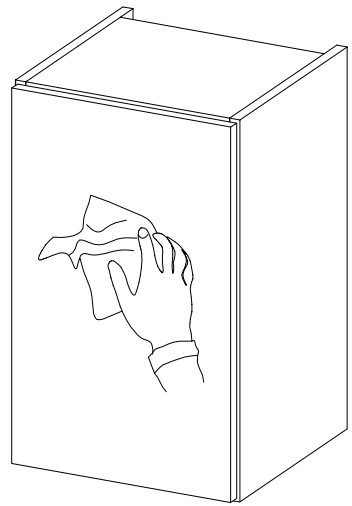
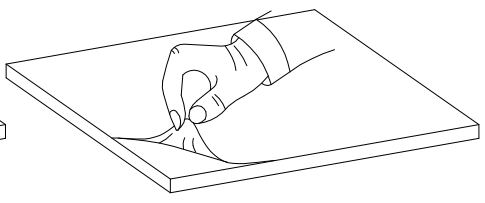
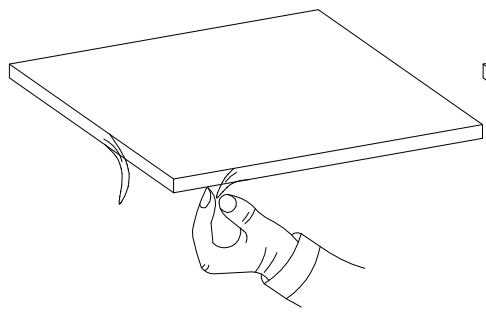
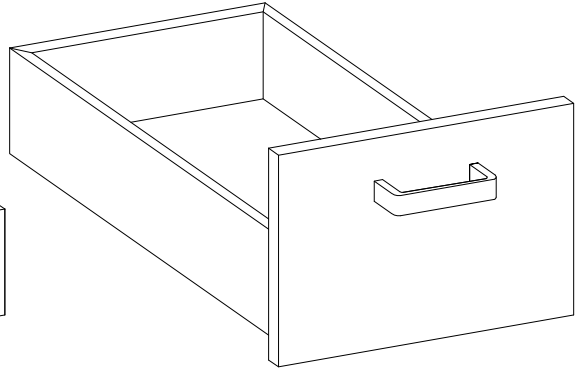
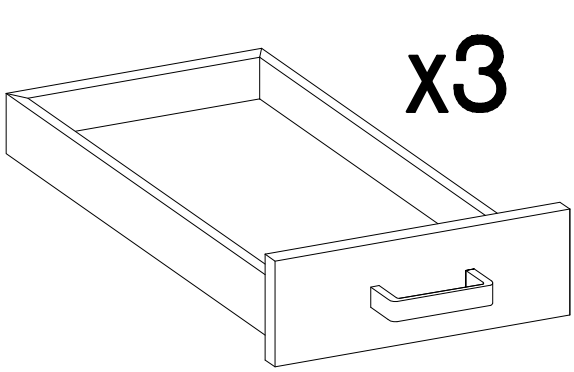
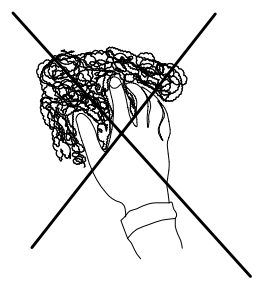
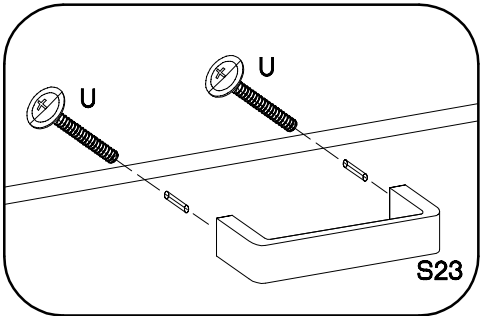
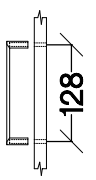
L=450mm  I5 4	+3.5x13mm  P5 24
--	---





x3

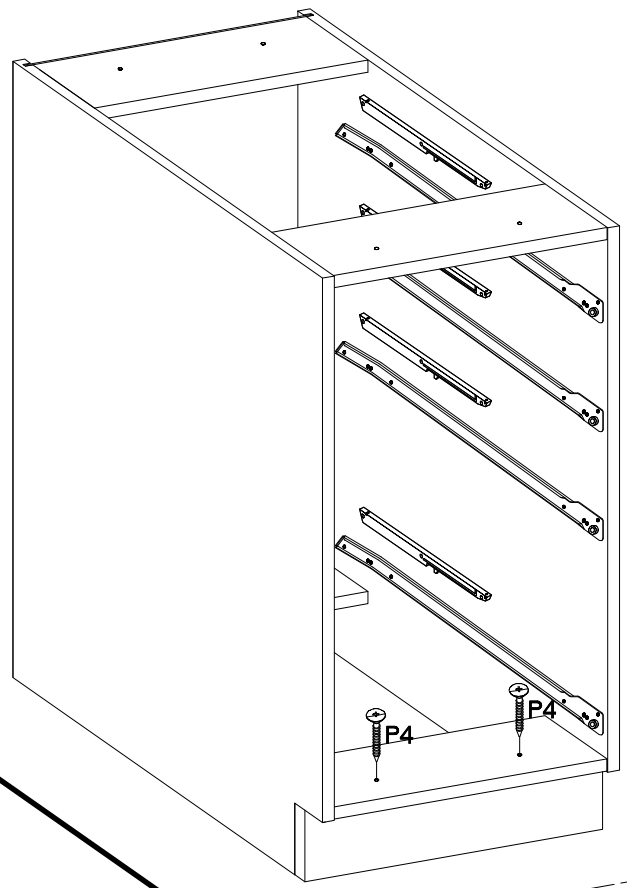
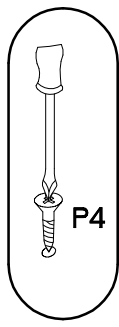
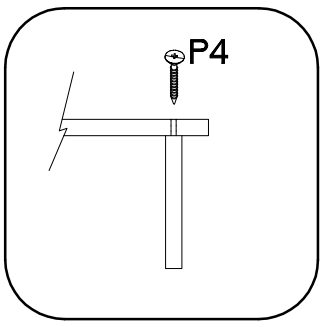
11

M4x22mm  U 8	 S23 4
--	---

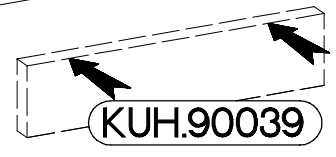
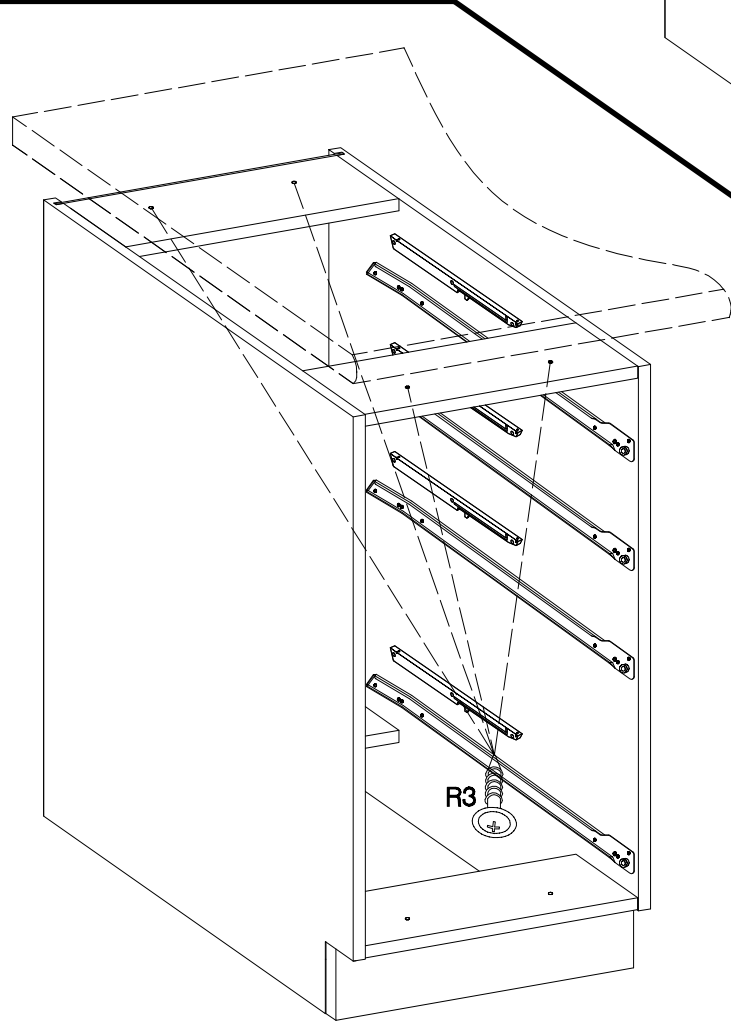



12

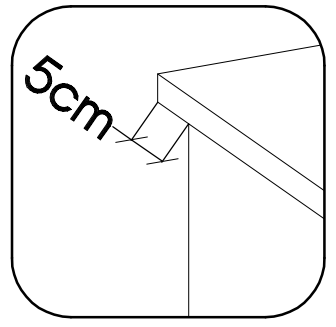
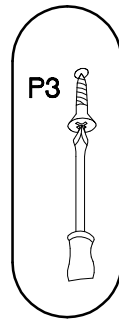
<p>4.0x45mm</p>  <p>P4</p> <p>2</p>	 <p>E9</p> <p>2</p>
---	---



13



<p>4.0x35mm</p>  <p>R3</p> <p>4</p>
--



13

