









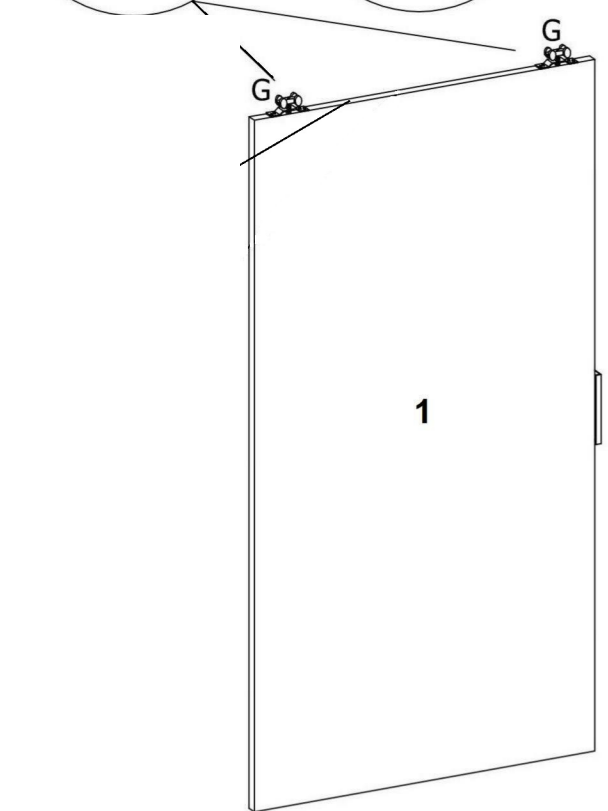
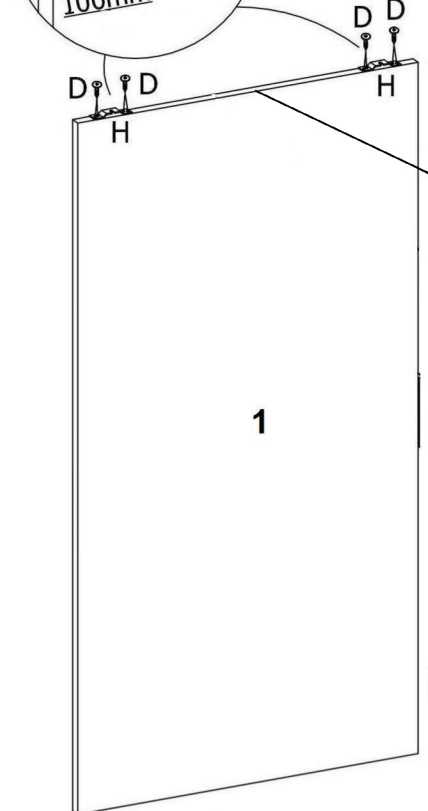
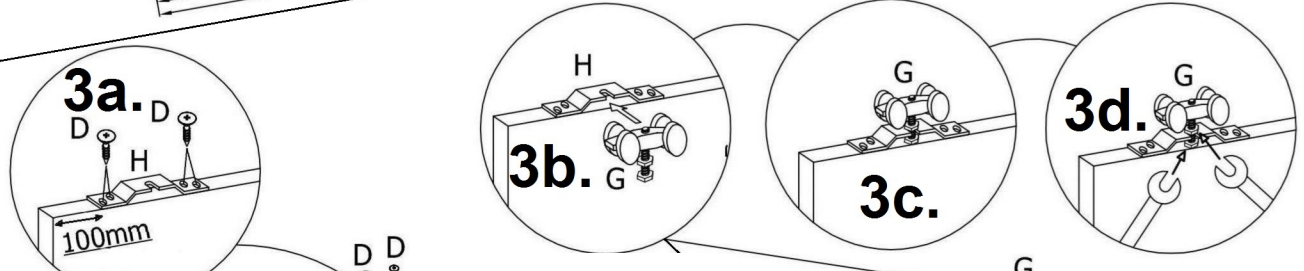
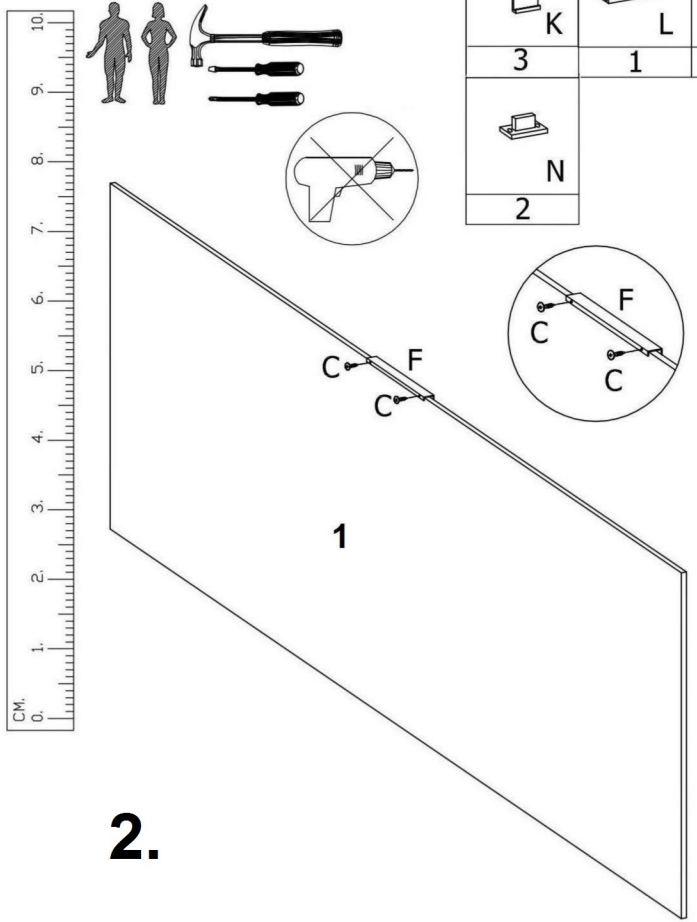
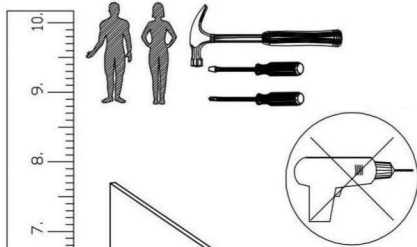
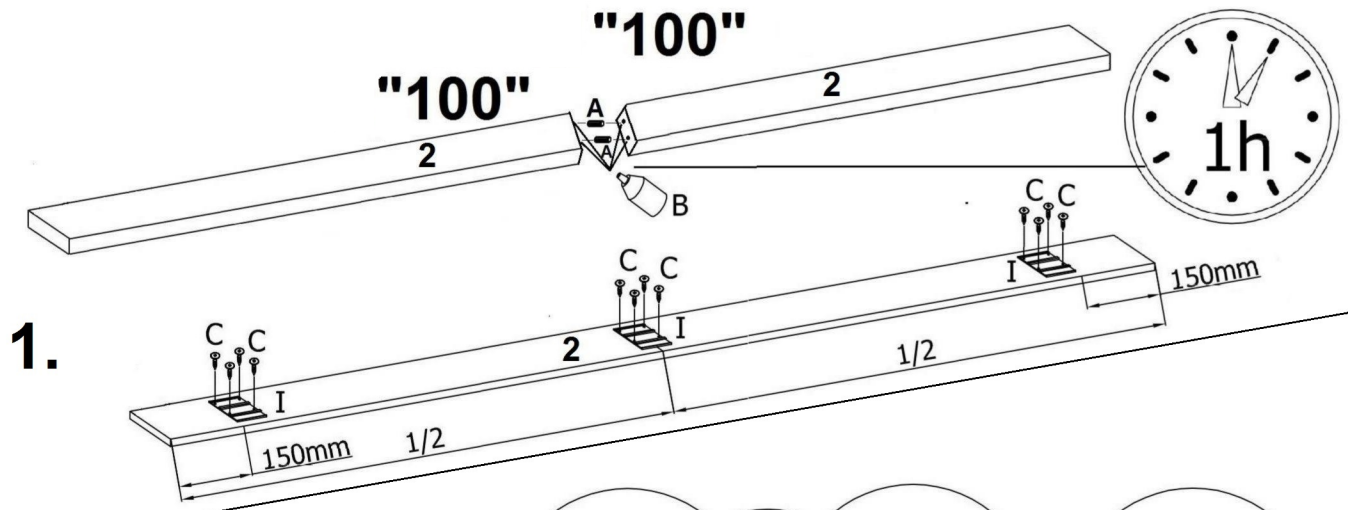
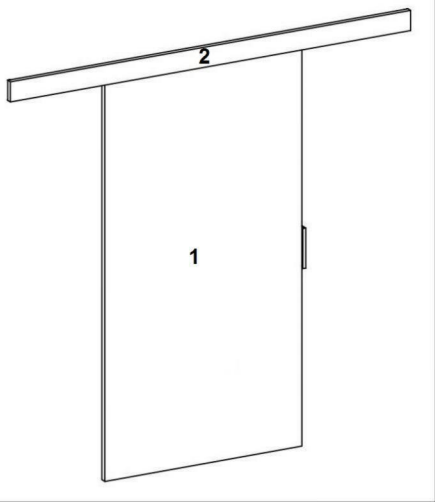
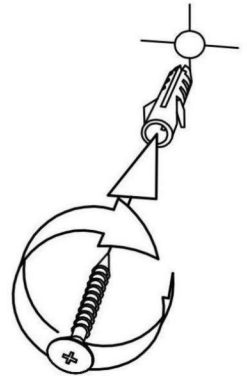
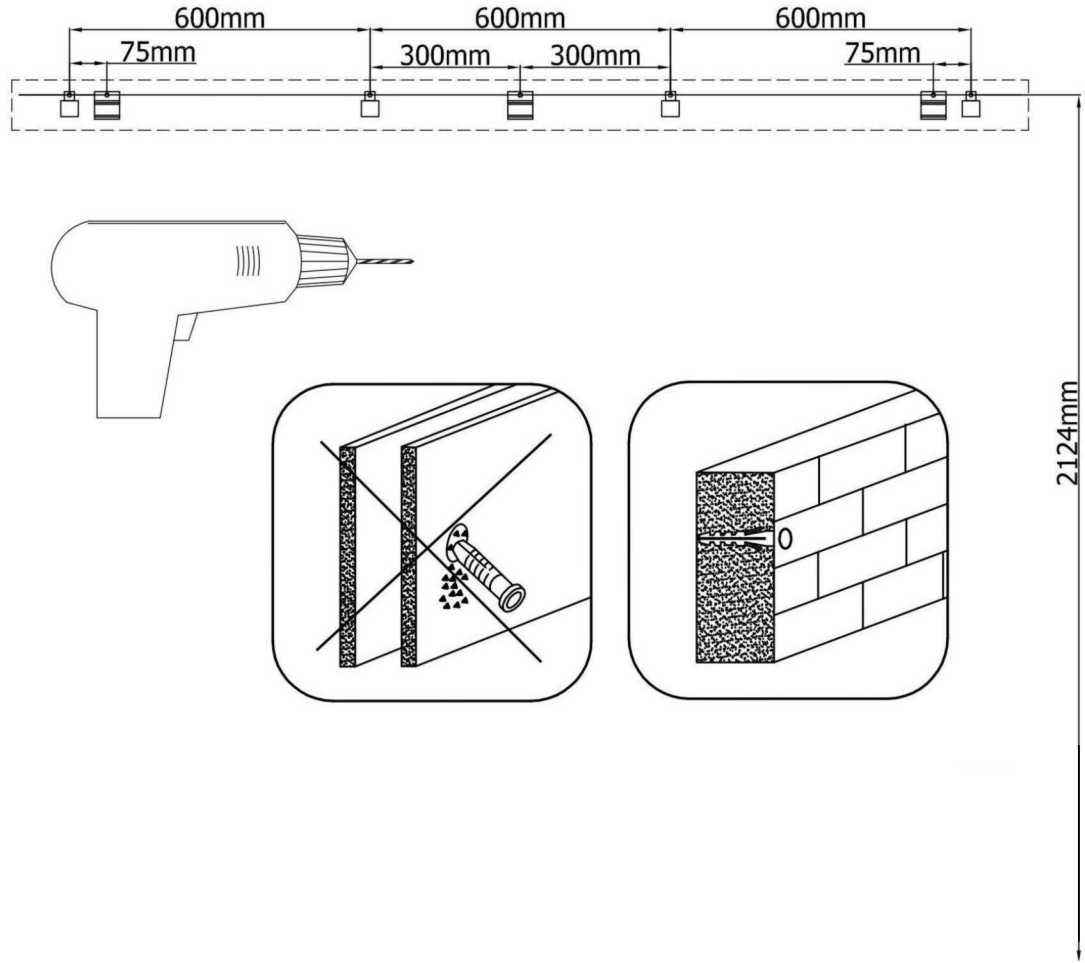
 4.0x16mm
2	1	14
 4.0x37mm		
4	1	2
		
2	3	4
		
3	1	2
		
2		



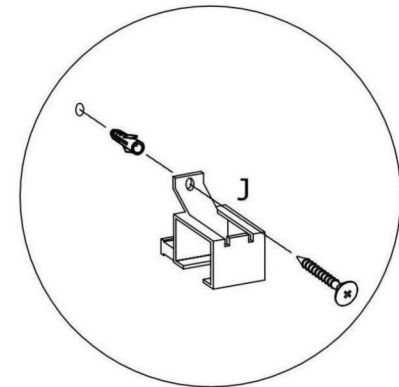
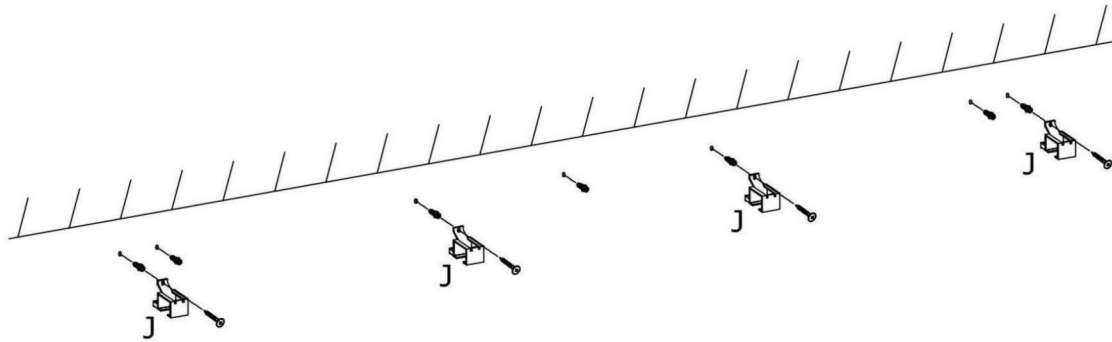
3.

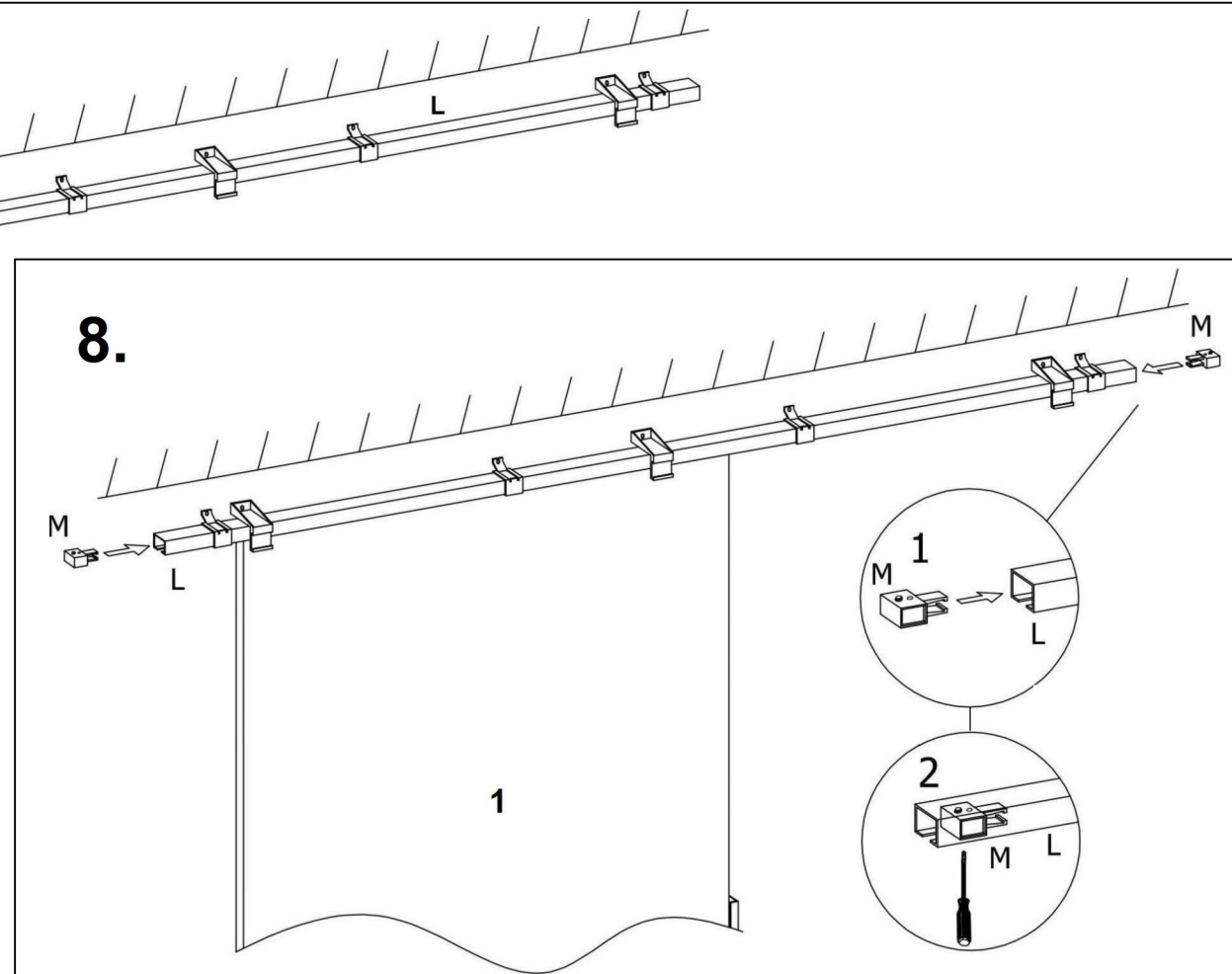
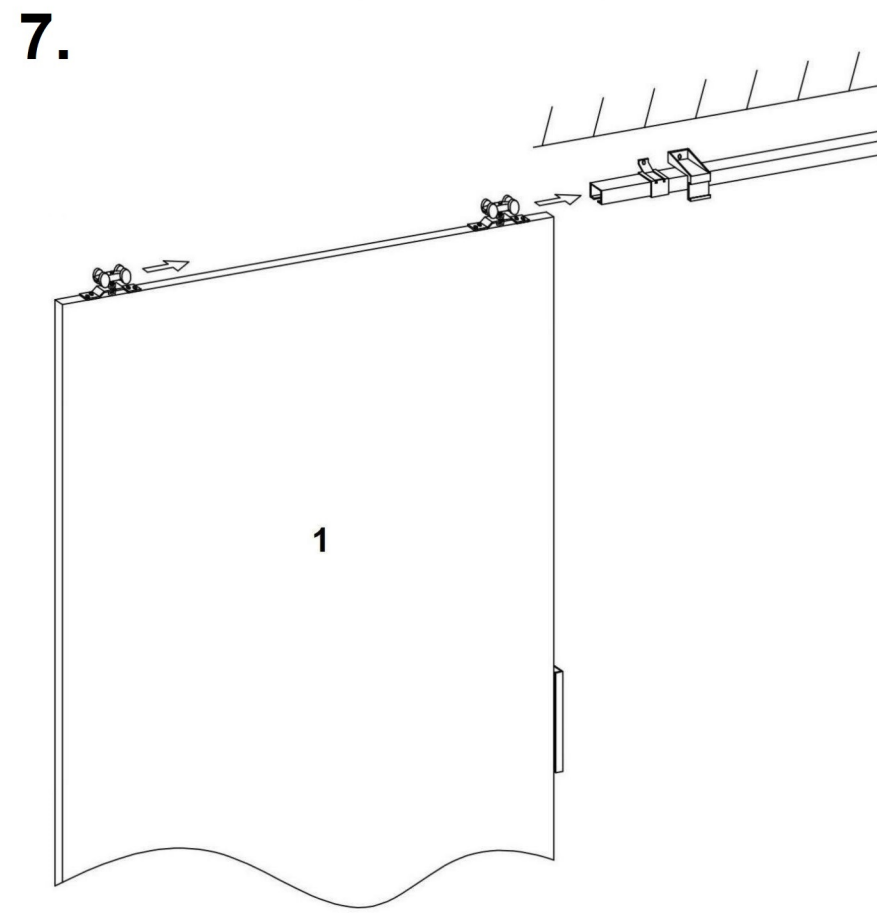
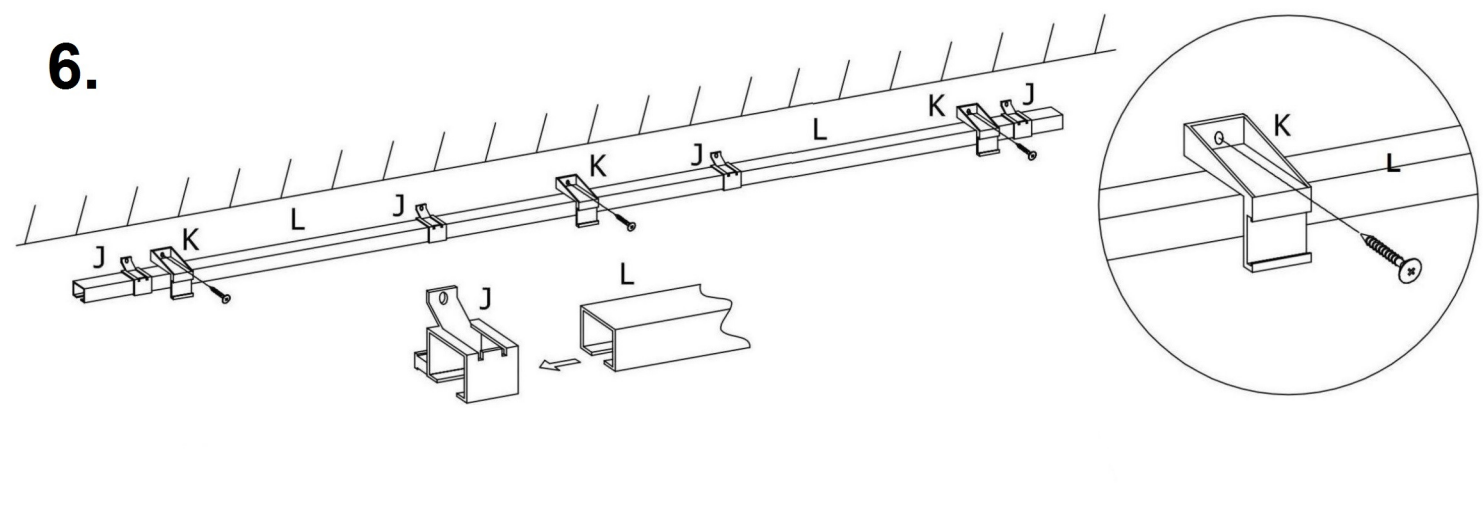
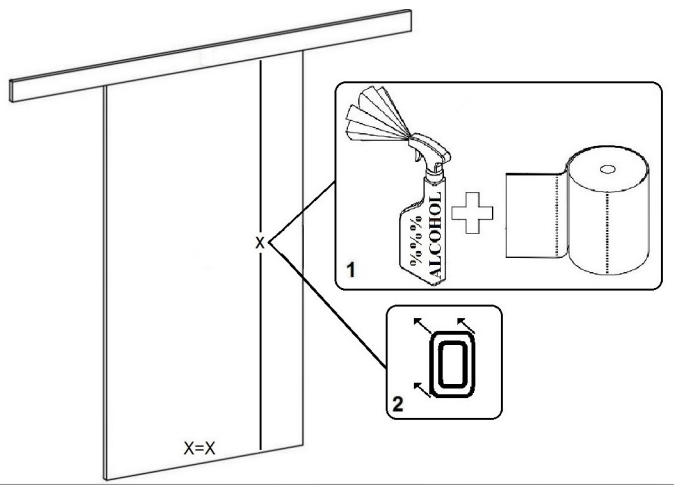


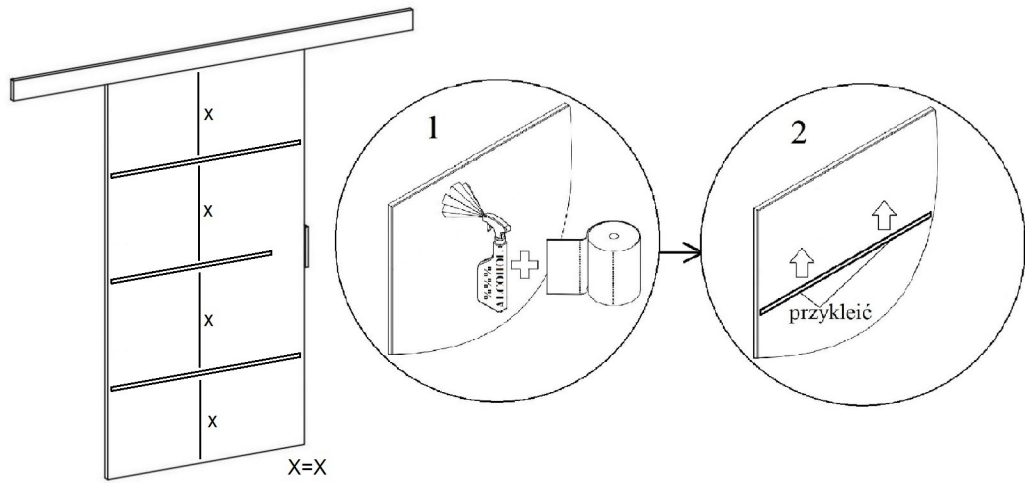
4.



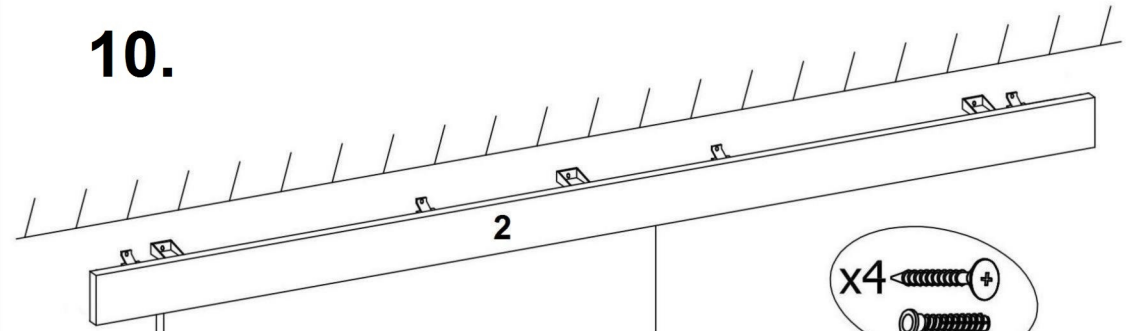
5.







10.



9.

