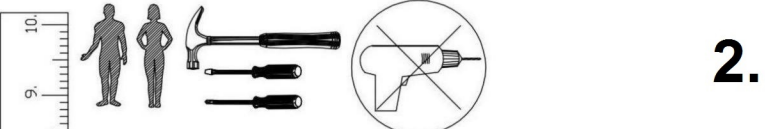
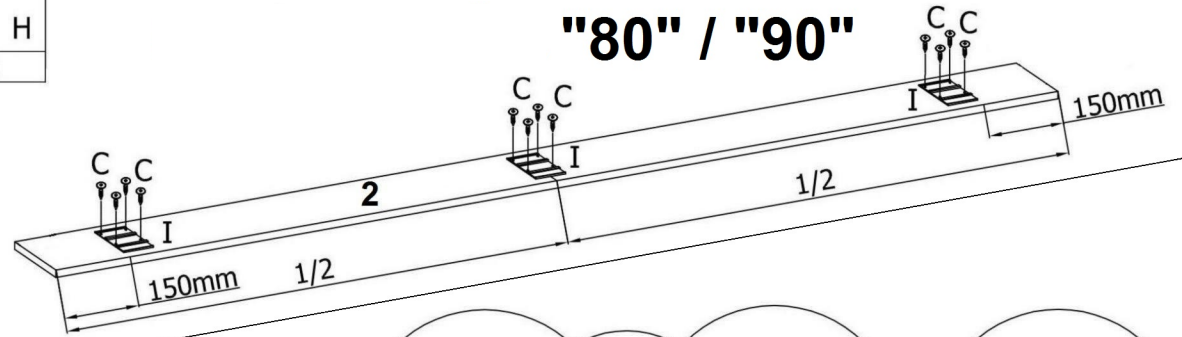
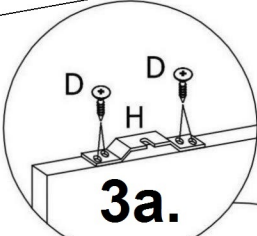
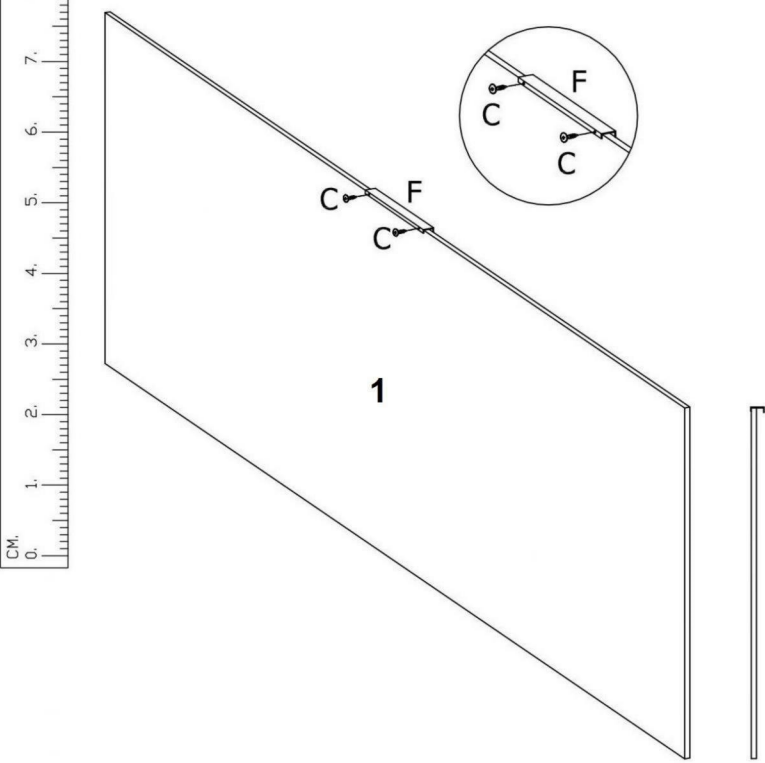


| 4.0x16mm | 4.0x37mm | | | |
|----------|----------|---|---|---|
| | | | | |
| 14 | 4 | 1 | 2 | 2 |
| | | | | |
| 3 | 4 | 3 | | |
| | | | | |
| 1 | 2 | 2 | | |

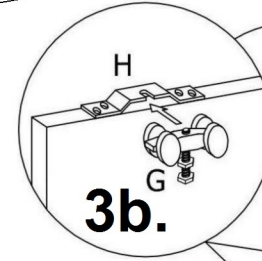
1.



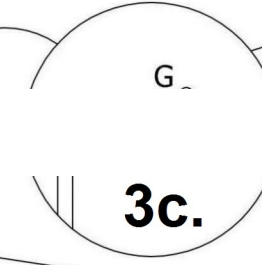
2.



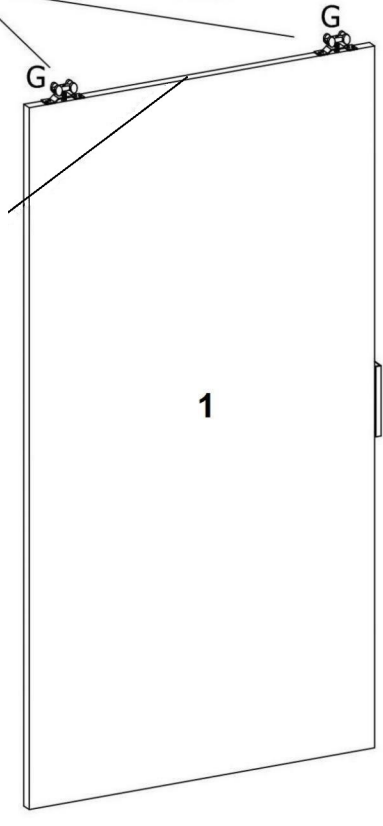
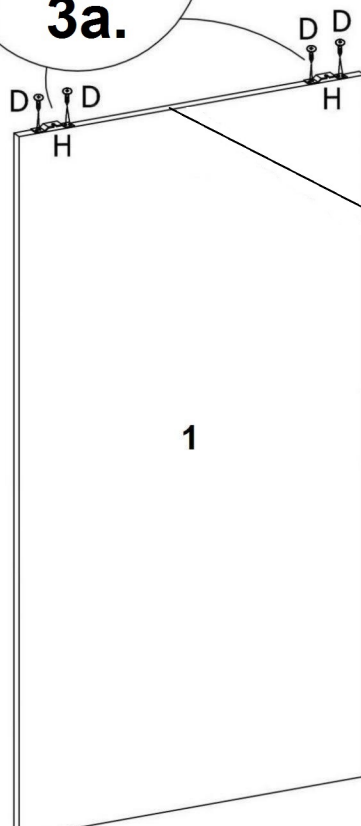
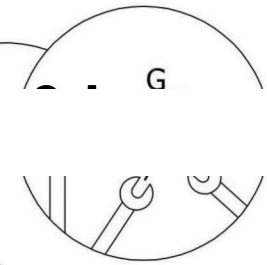
3a.



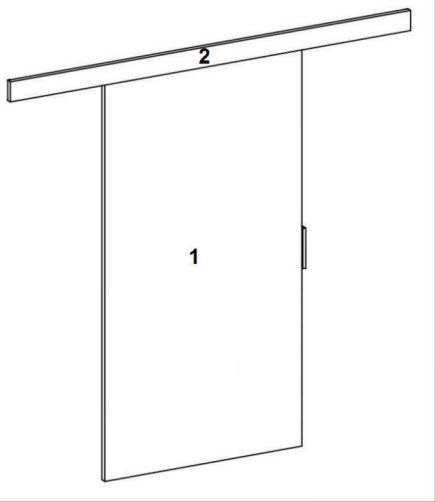
3b.



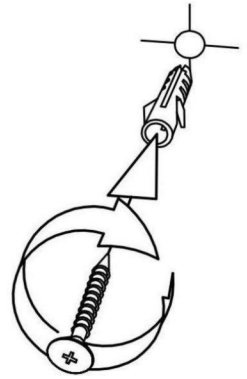
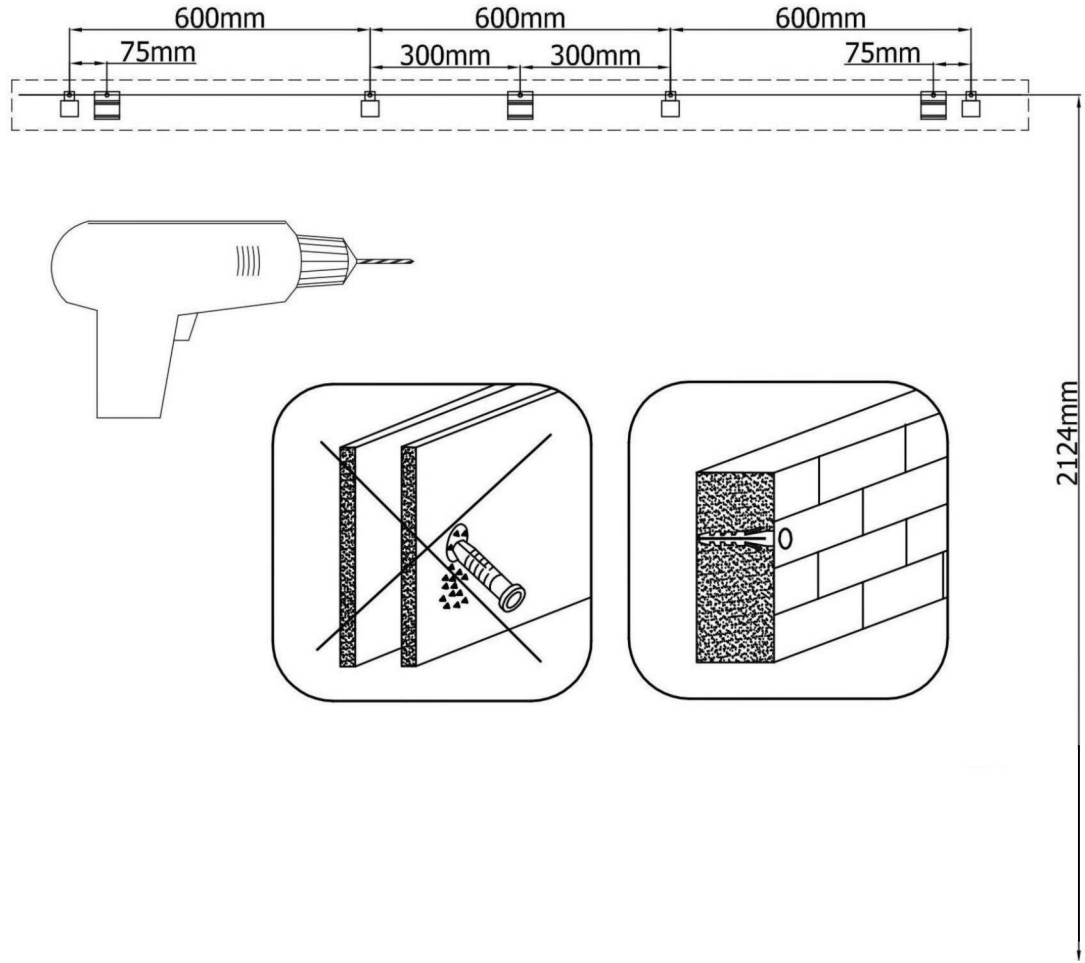
3c.



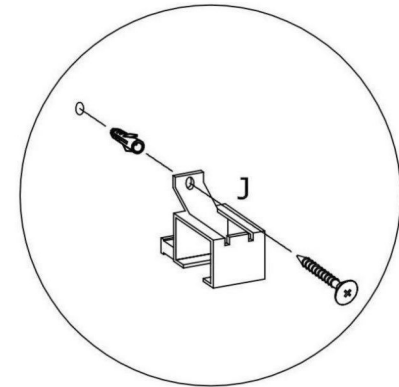
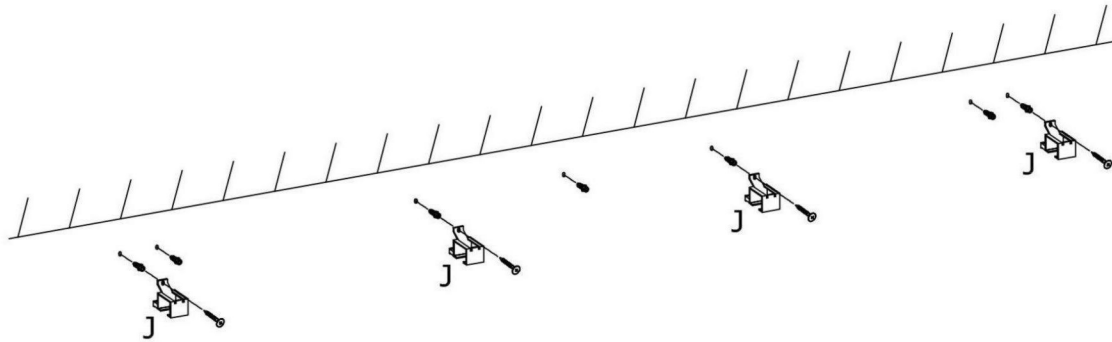
3.

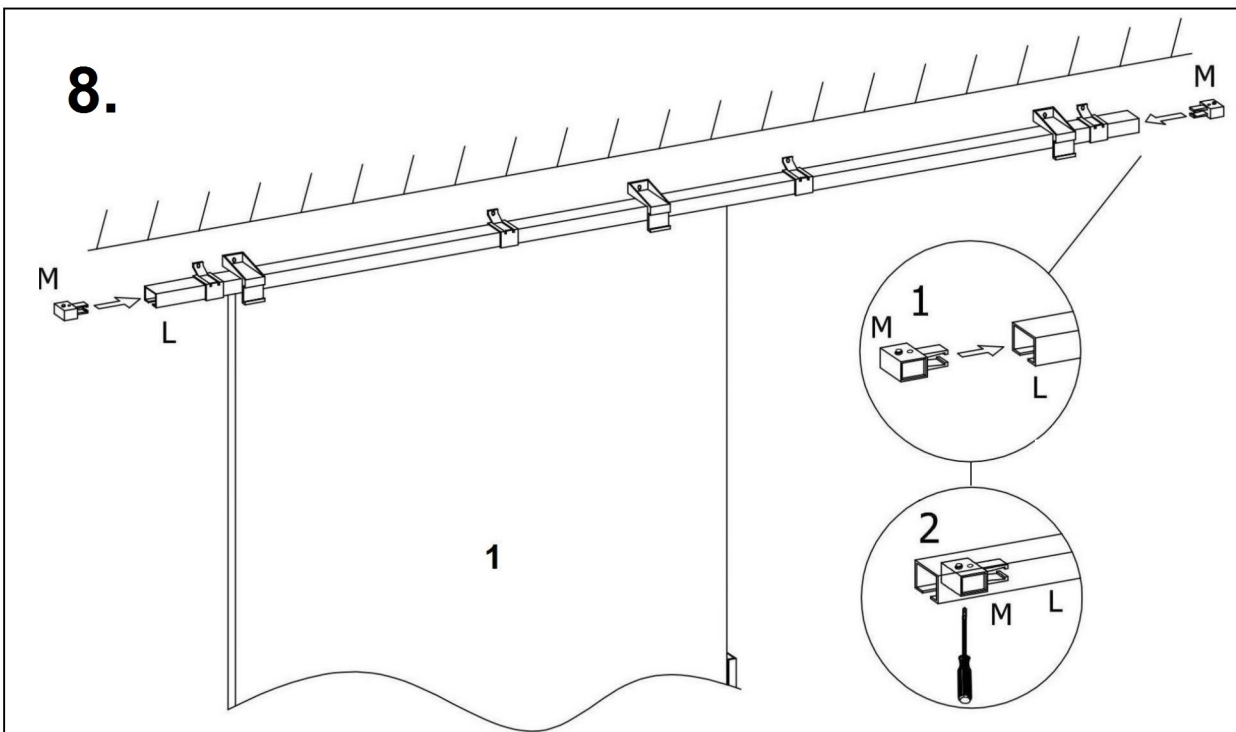
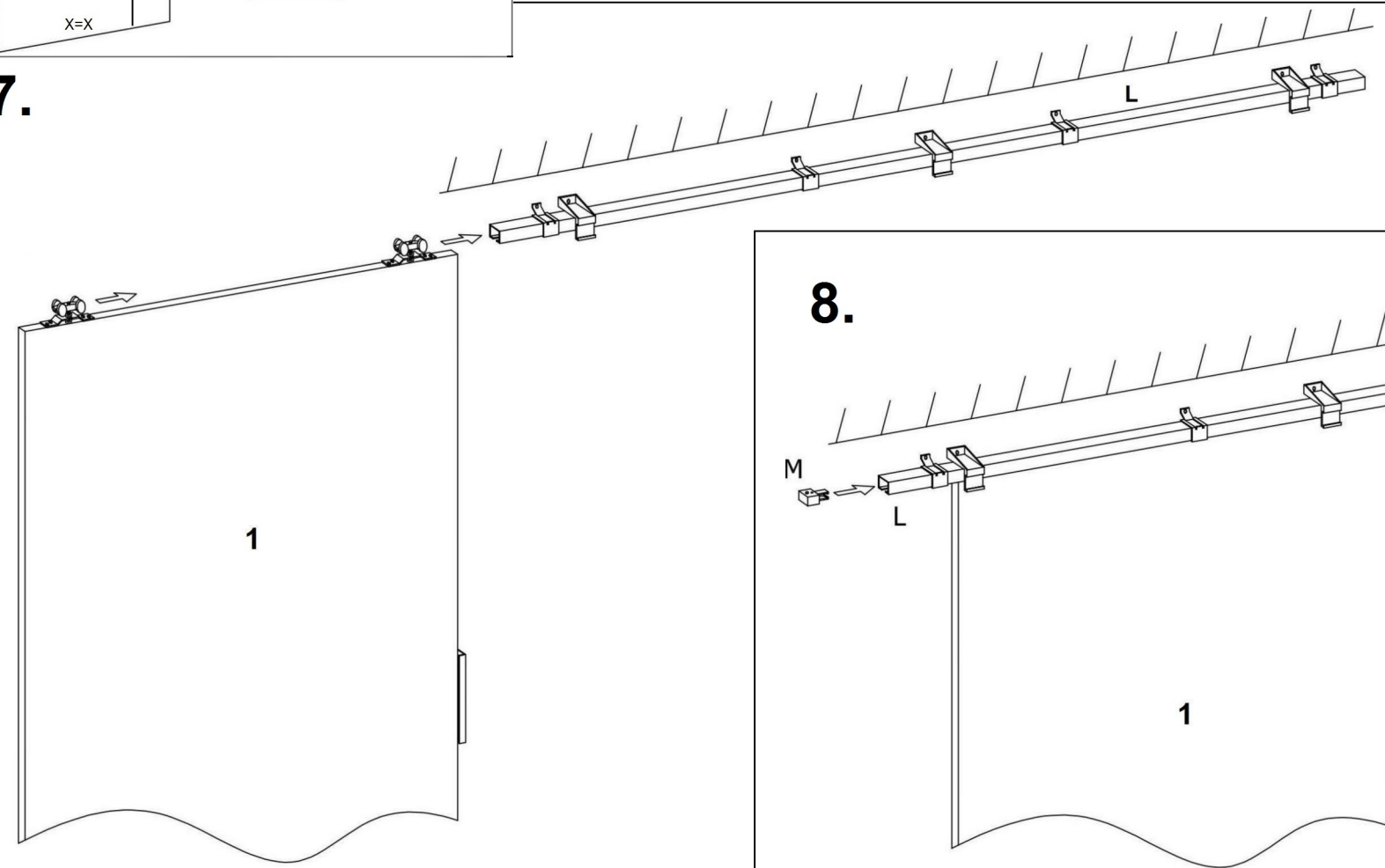
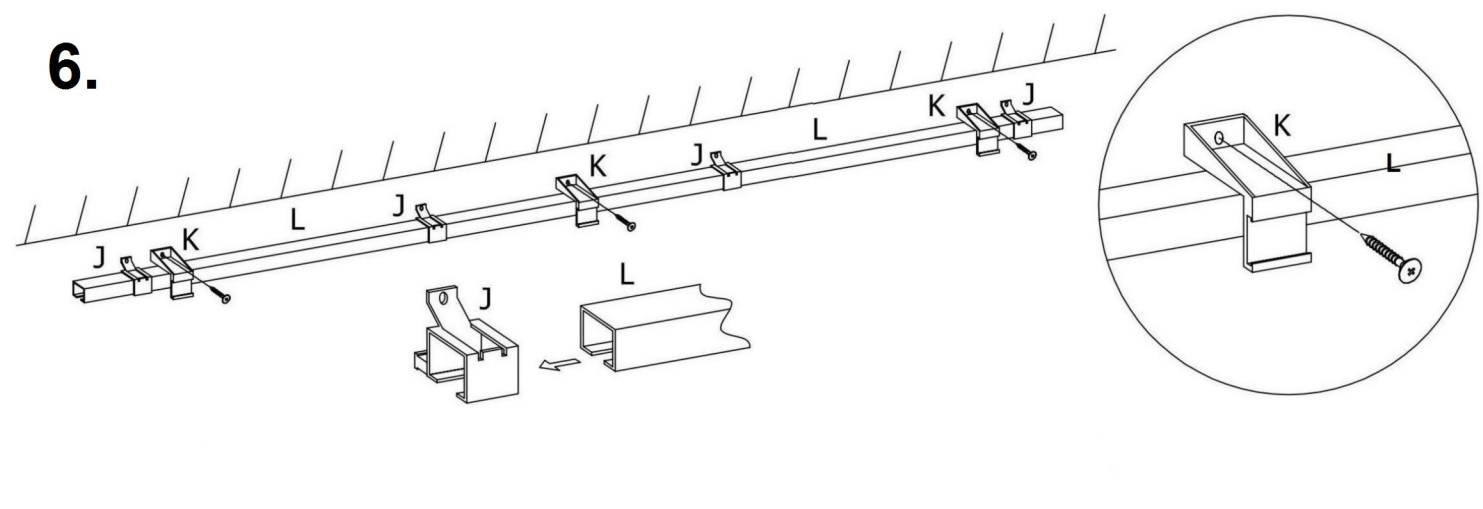
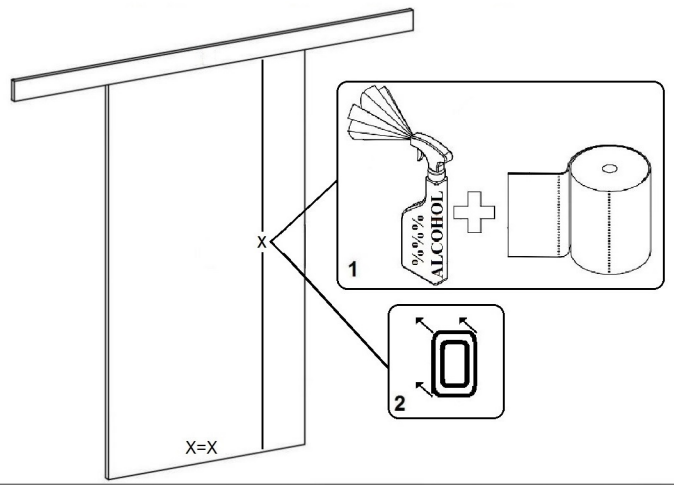


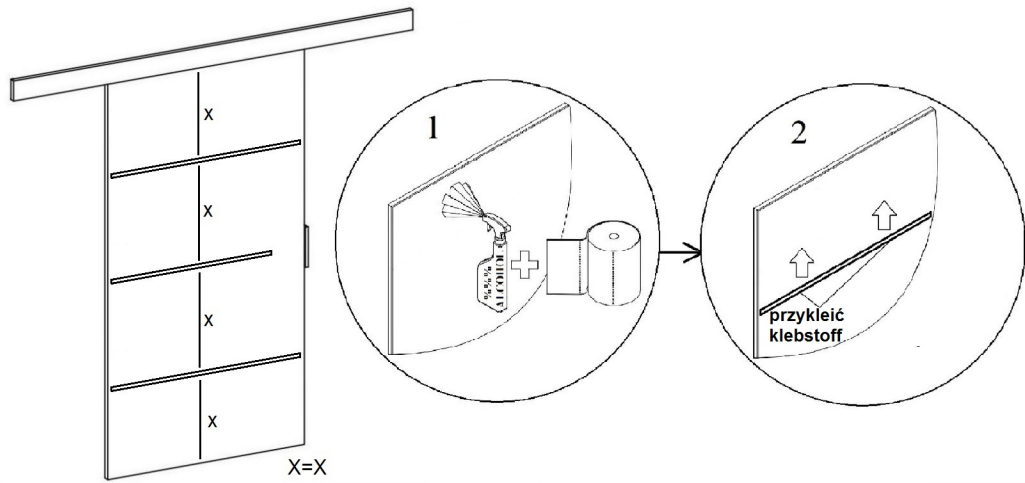
4.



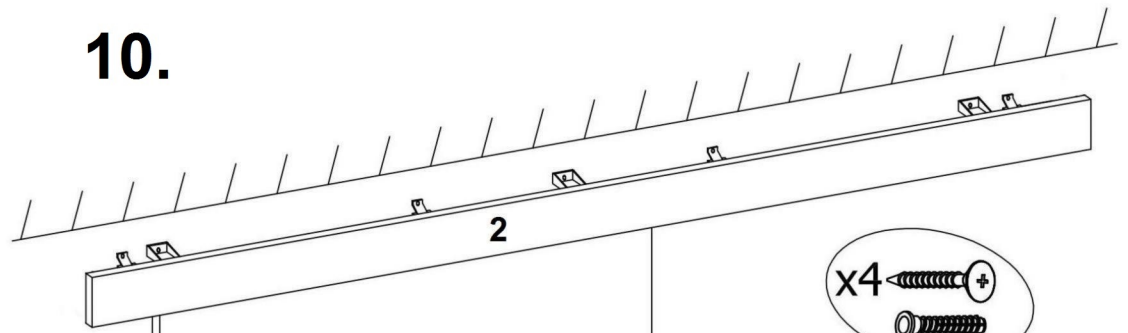
5.



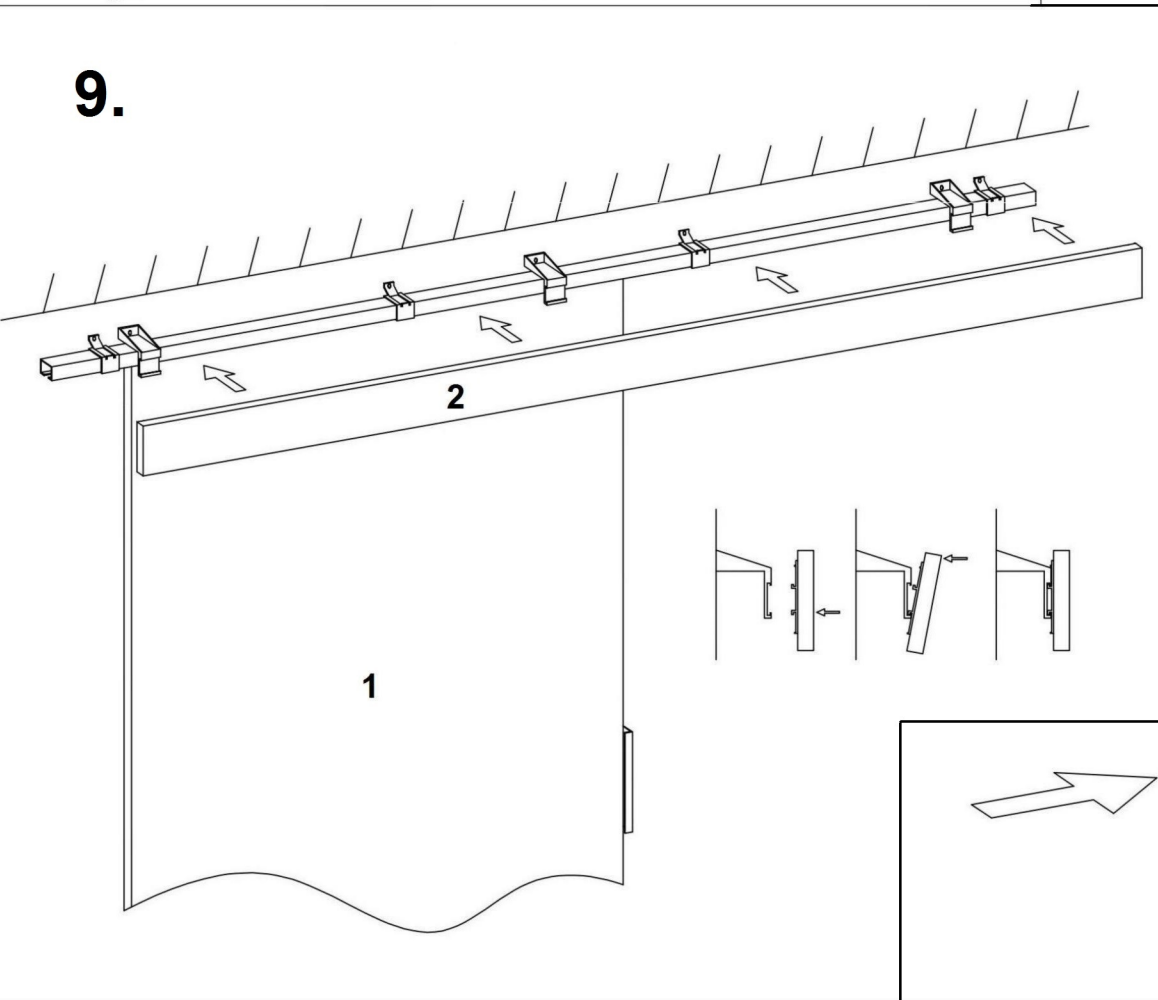




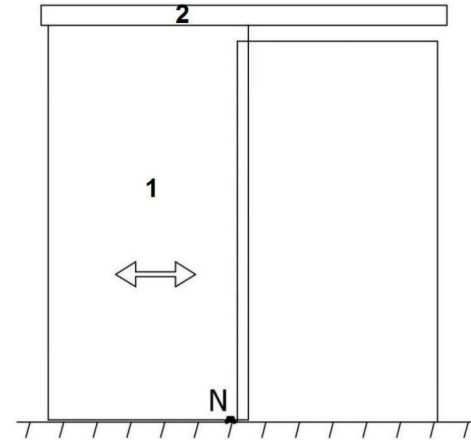
10.



9.



1



N

N

