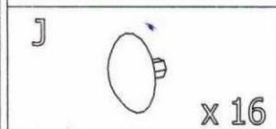
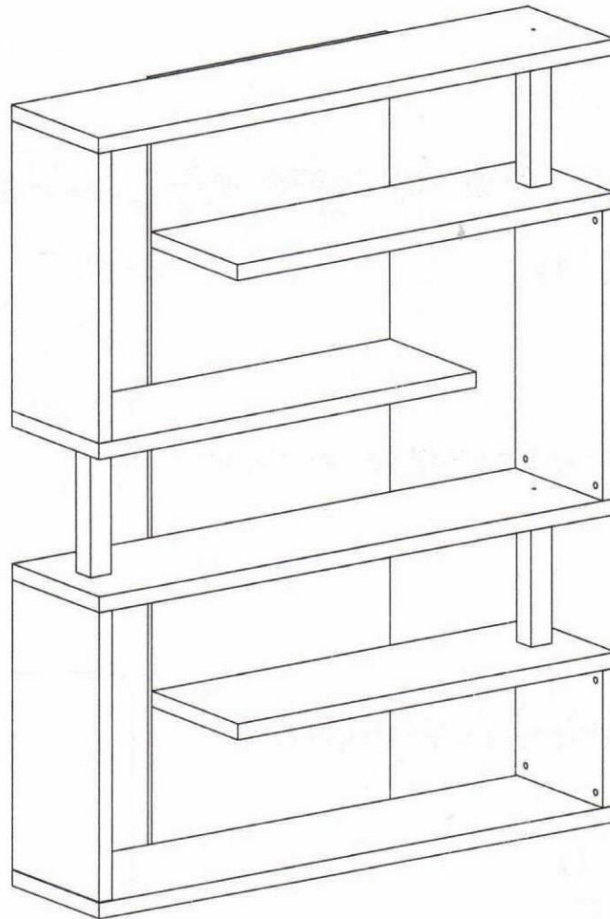
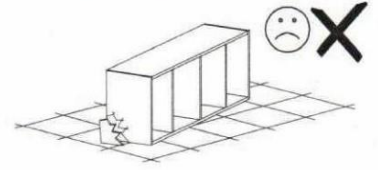
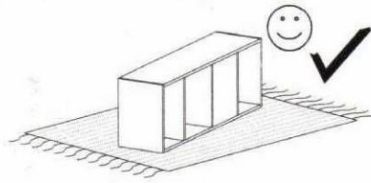
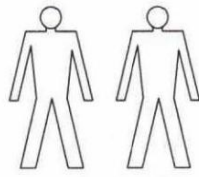




120 min



J

x 16



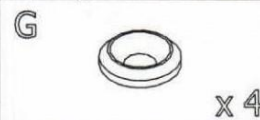
I

x 2



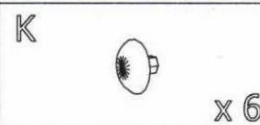
H

ø3 x 20 mm x 4



G

x 4



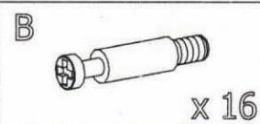
K

x 6



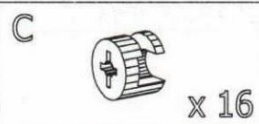
A

ø8 x 35 mm x 24



B

x 16



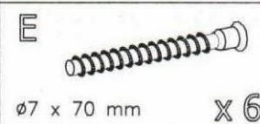
C

x 16



D

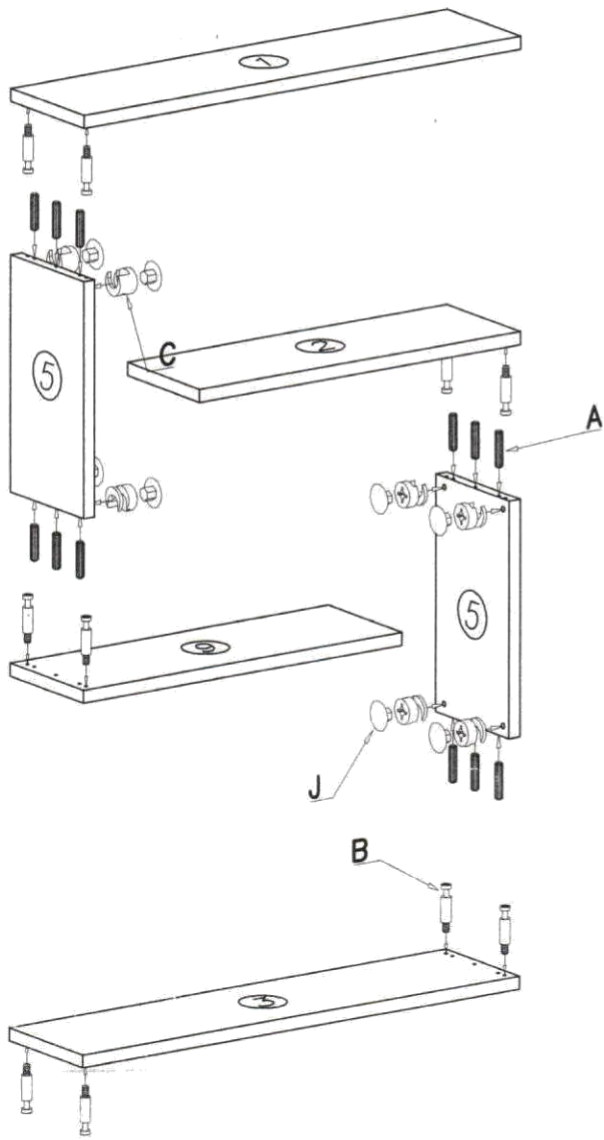
ø7 x 50 mm x 12



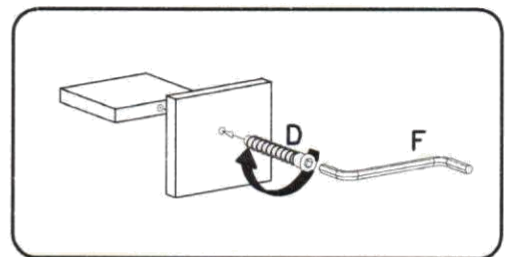
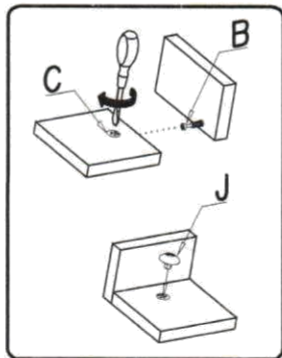
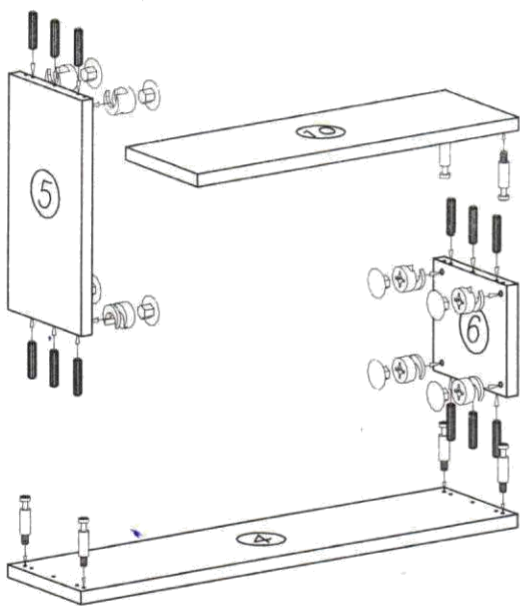
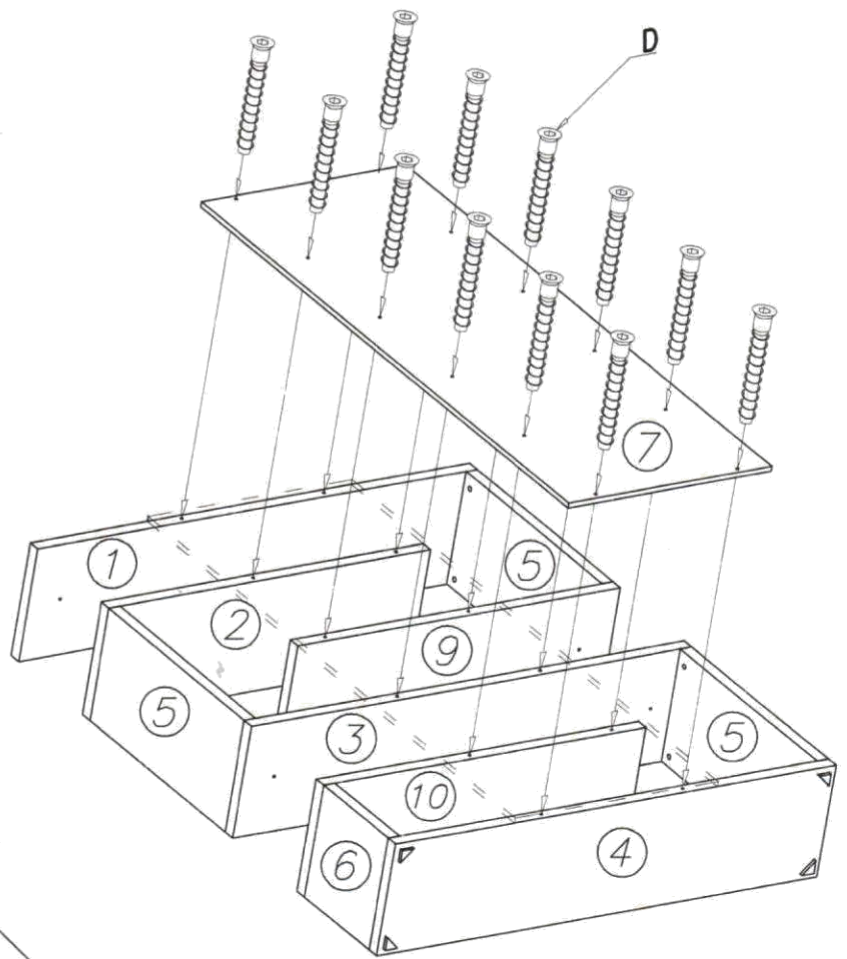
E

ø7 x 70 mm x 6

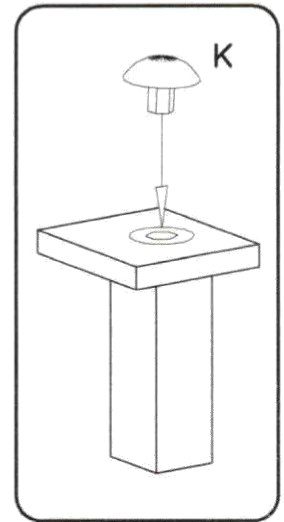
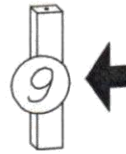
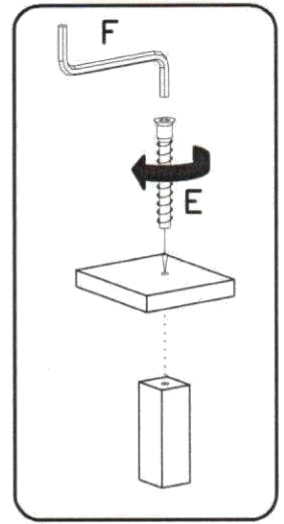
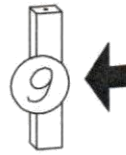
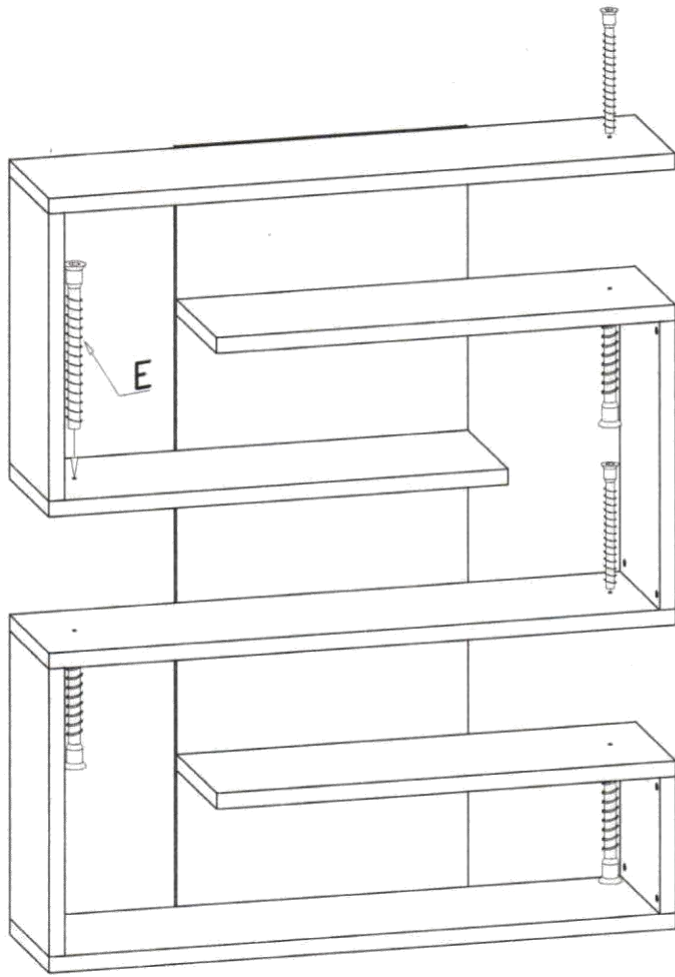
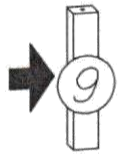
I



II



III



IV

