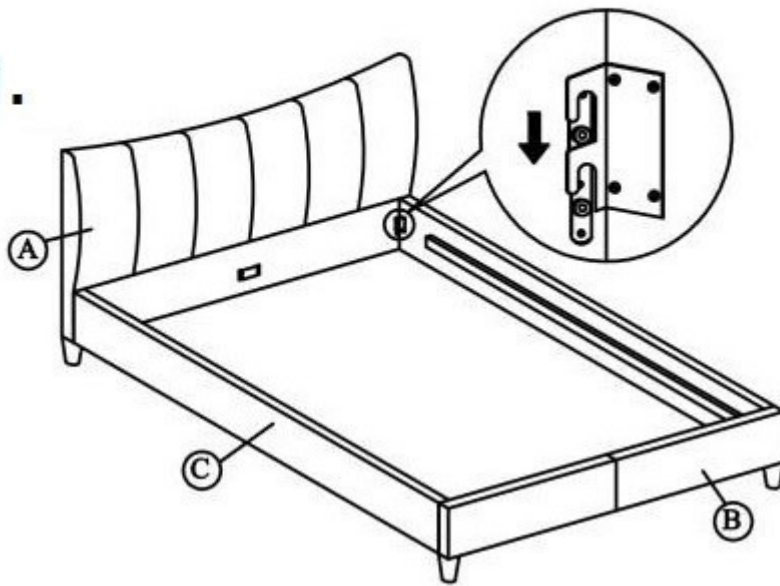
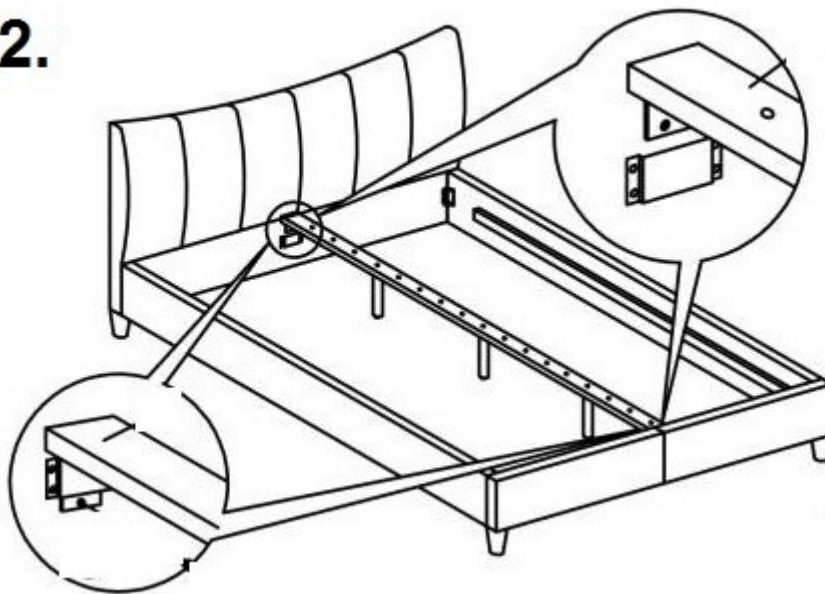


1.



- The place for montage should be safe for furniture,
- First You should check all of screws,
- You should be care when You cut the pack.

2.



- You will never tighten the screws,
- You can tigh the screw one time from sterted use,
- If You have any problem, You should contact to seller.