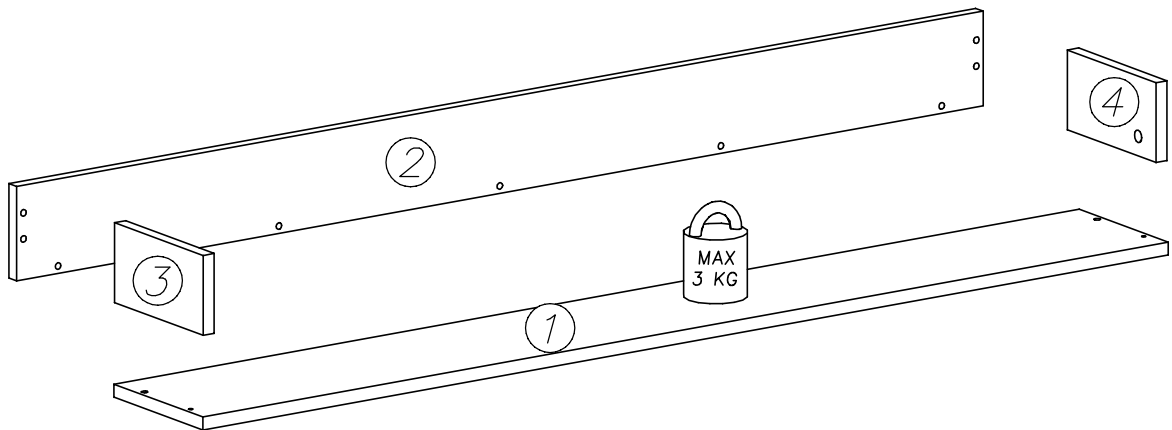
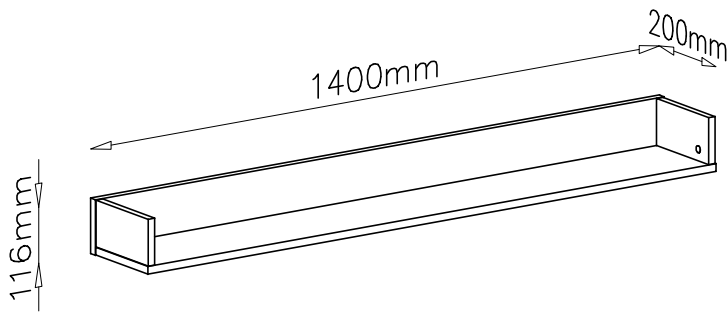

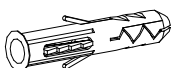




1	1398	184	16	1
2	1400	116	16	1
3	183	98	16	1
4	183	98	16	1

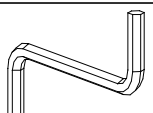


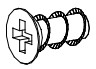
U7S  x2


U8  x2  
 $\varnothing 10 \times 50$

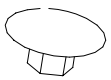
A1  x9  
 $\varnothing 7 \times 50$

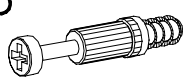
B1  x2  
 $\varnothing 8 \times 30$


W2  x1  
 4mm

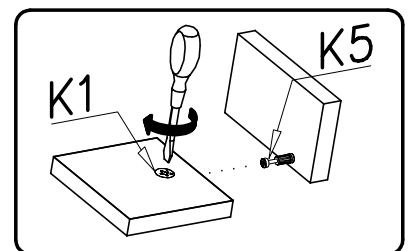
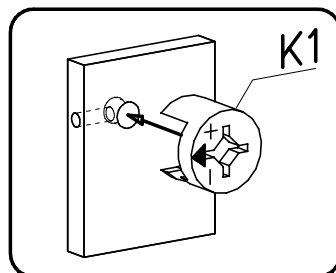
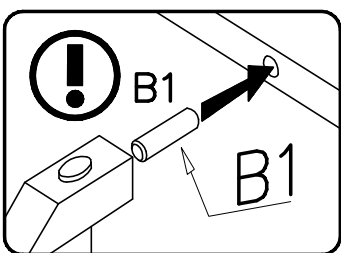
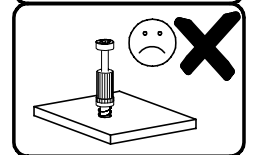
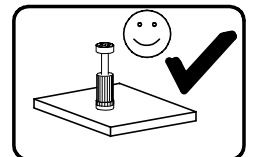
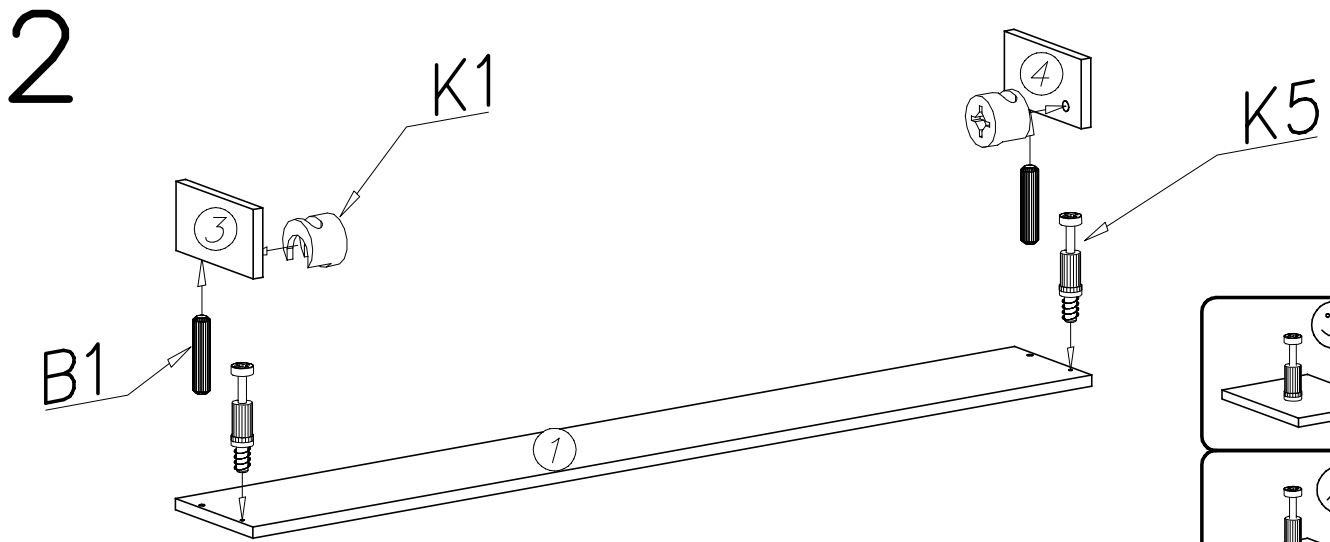
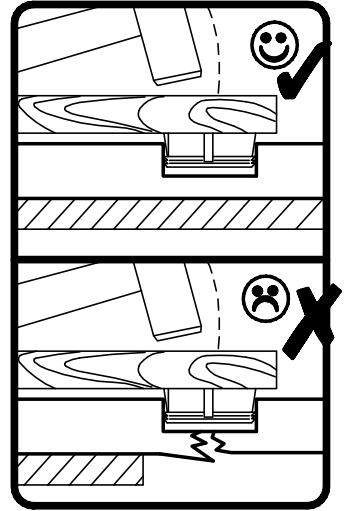
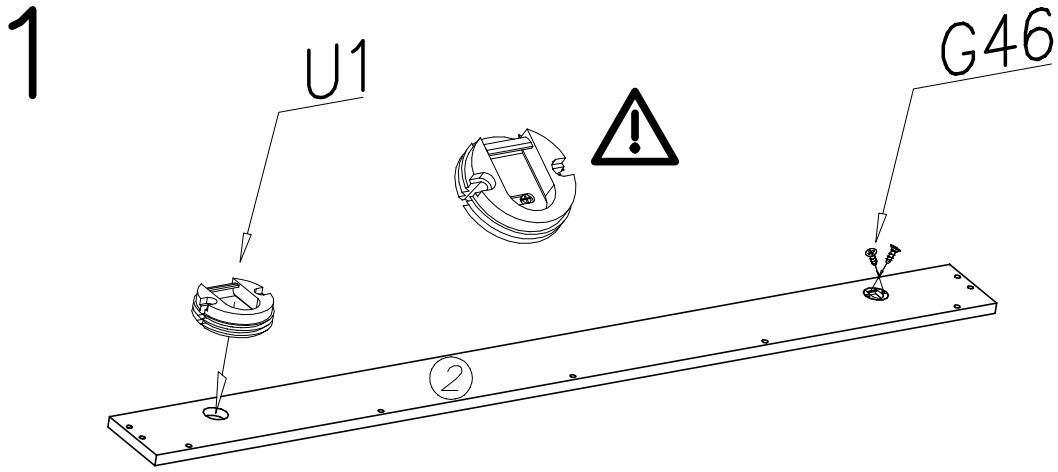
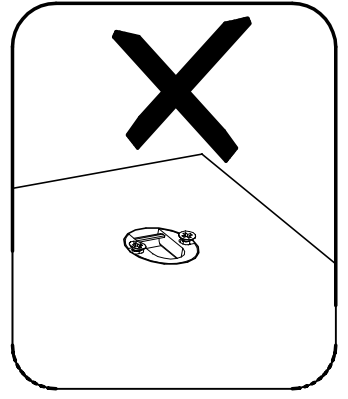
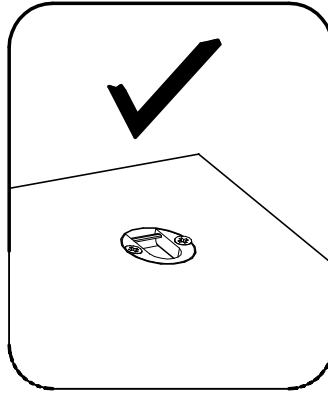
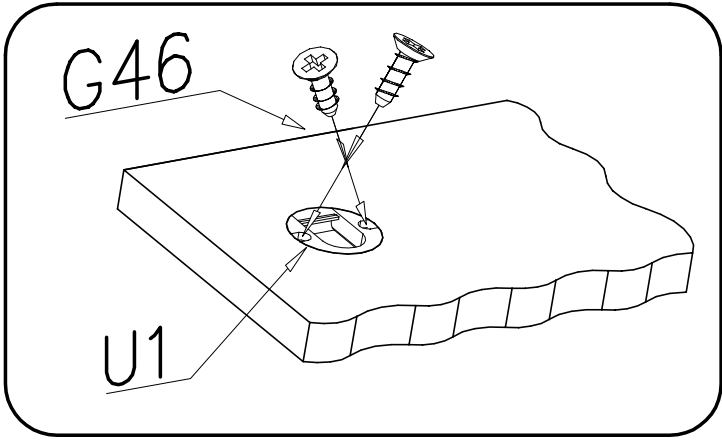
G46  x4  
 5x9

U1  x2

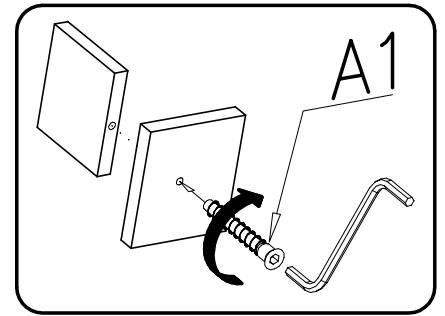
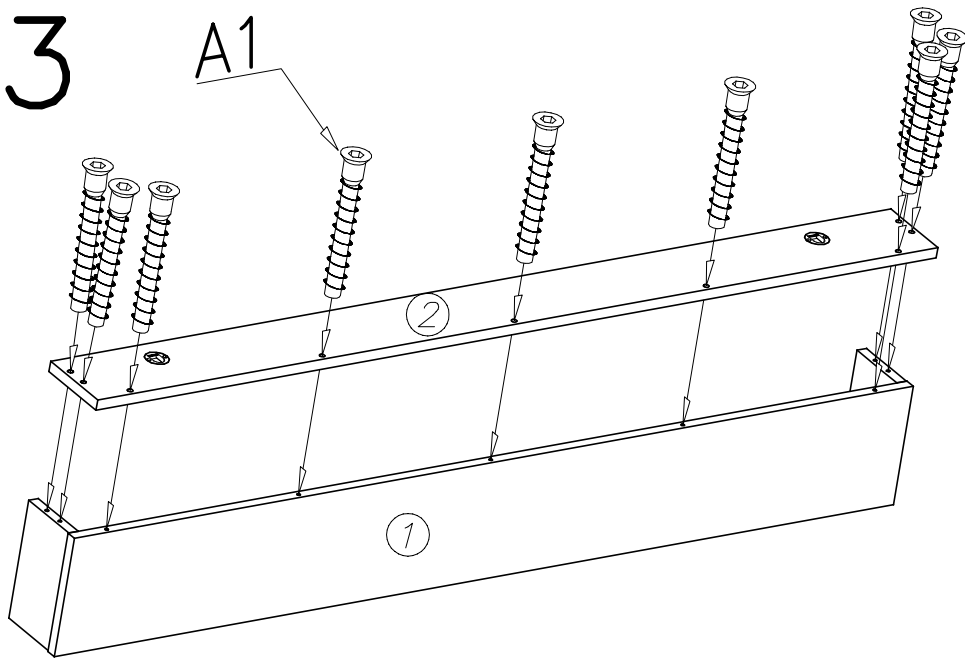
I7  x2  
 $\varnothing 18$

K5  x2

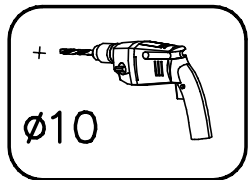
K1  x2  
 $\varnothing 15 \times 12$



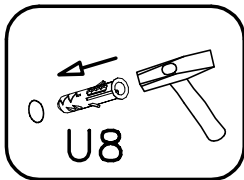
# 3



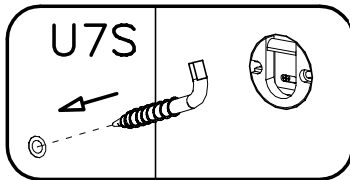
## 1



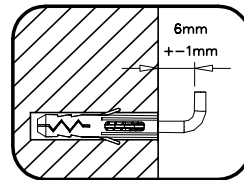
## 2



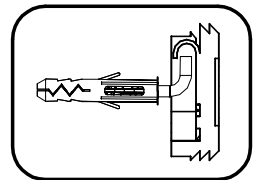
## 3



## 4



## 5



# 4

