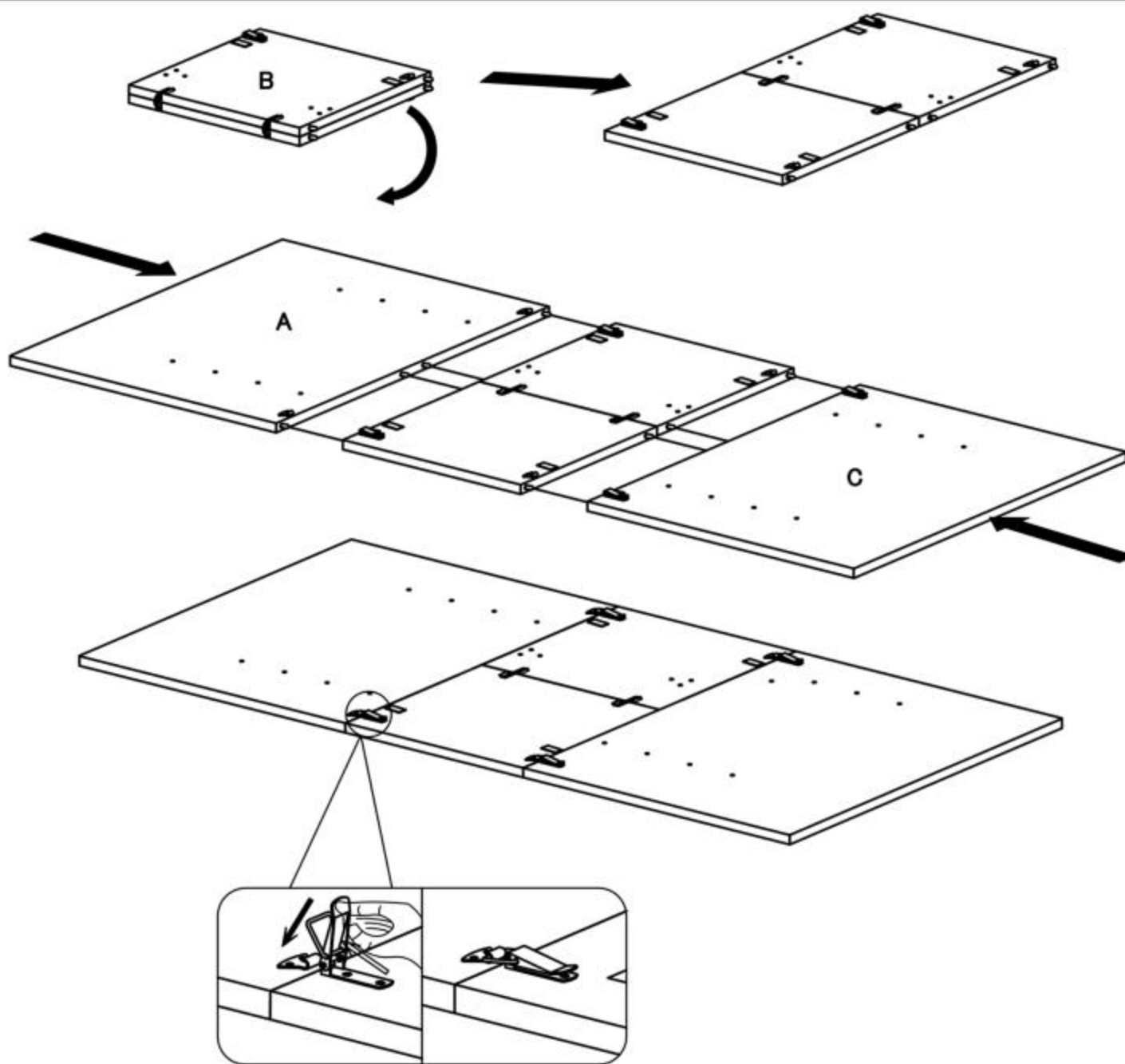











v.1

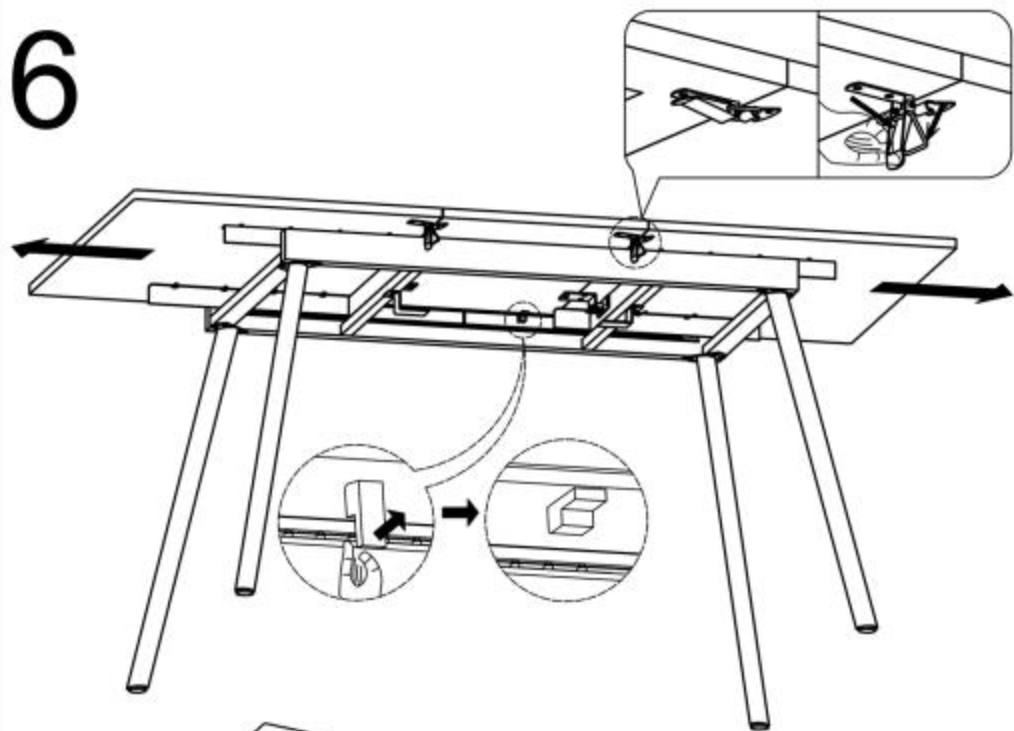
1



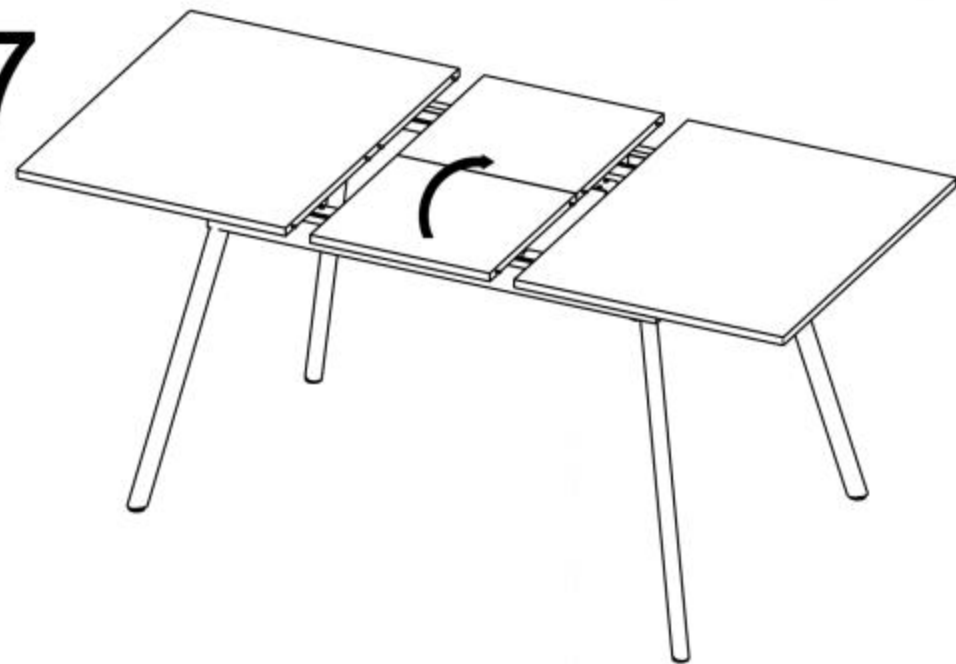
|   |   |    |
|---|---|----|
| A |  | 1  |
| B |  | 1  |
| C |  | 1  |
| D |  | 1  |
| E |  | 4  |
| F |  | 2  |
| G |  | 2  |
| H |  | 46 |
| I |  | 4  |

v.1

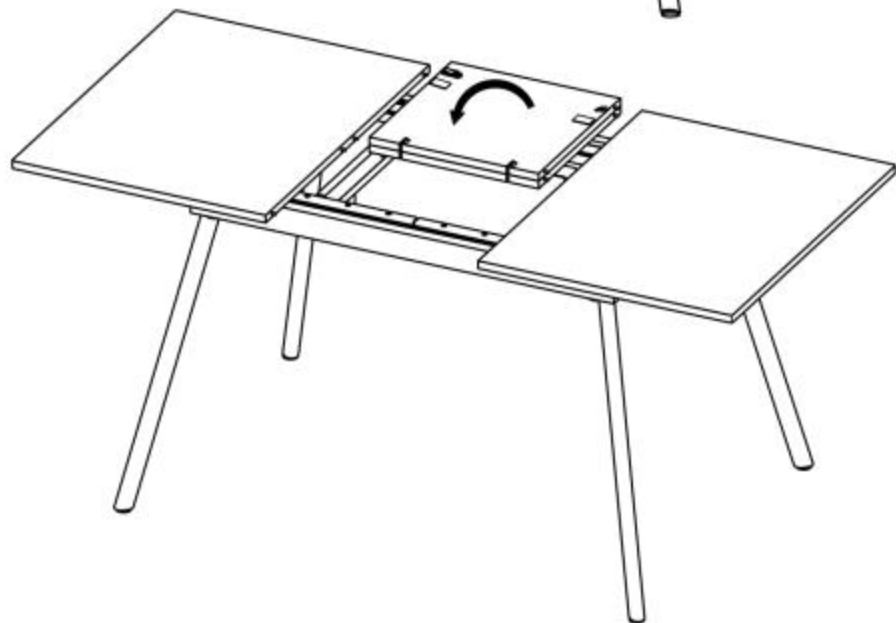
6



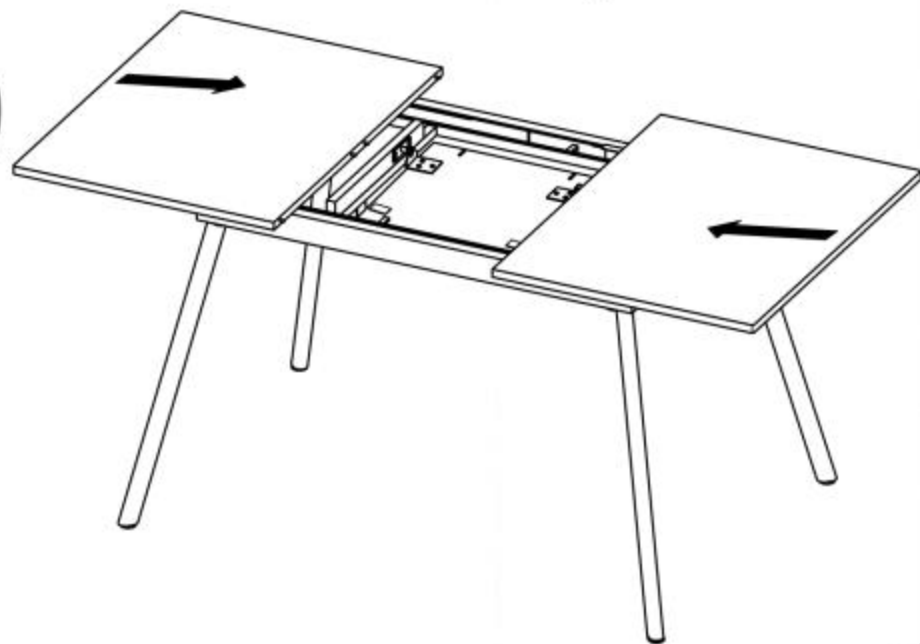
7



8

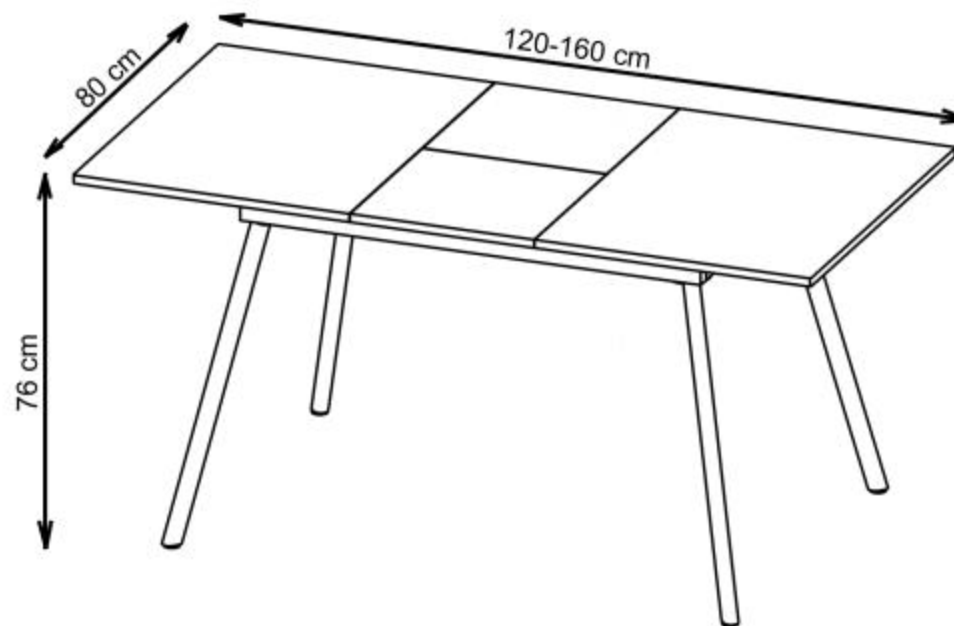
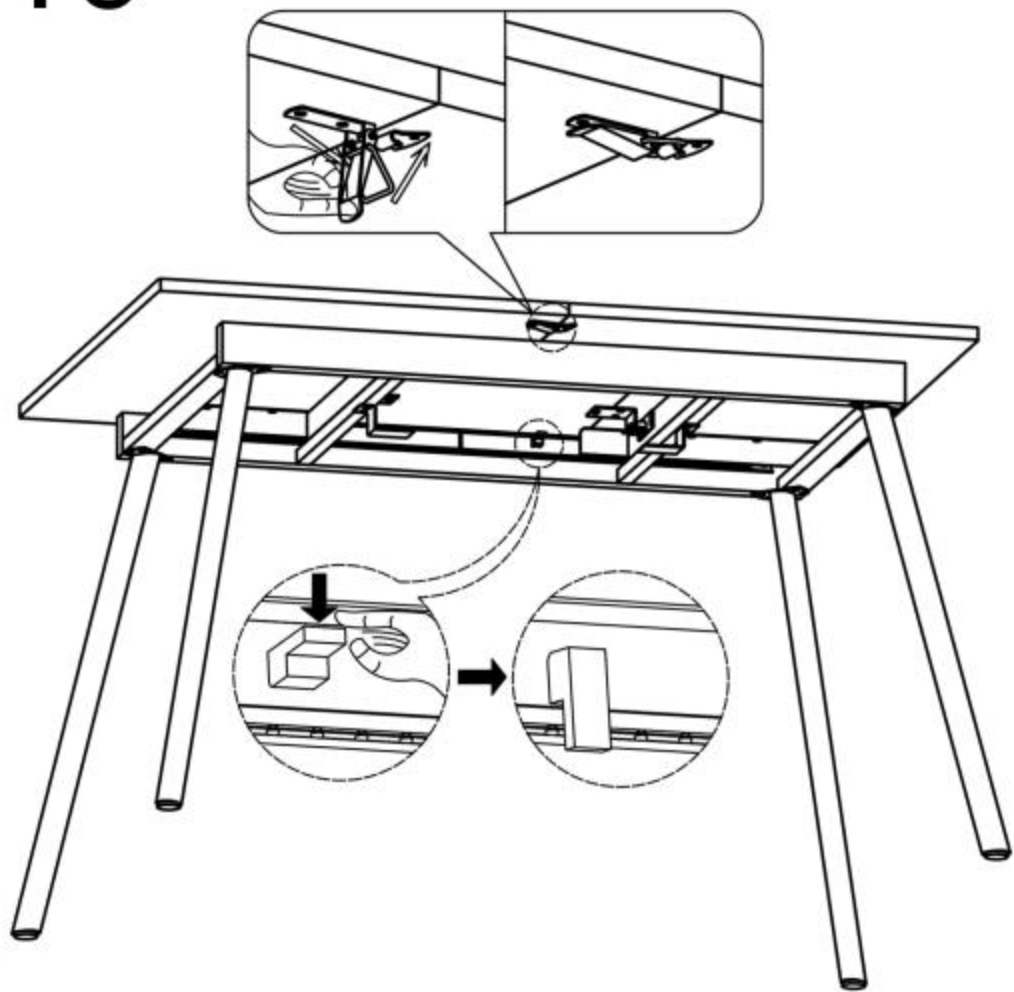



9



v.1

# 10



 max. 40 kg



v.1