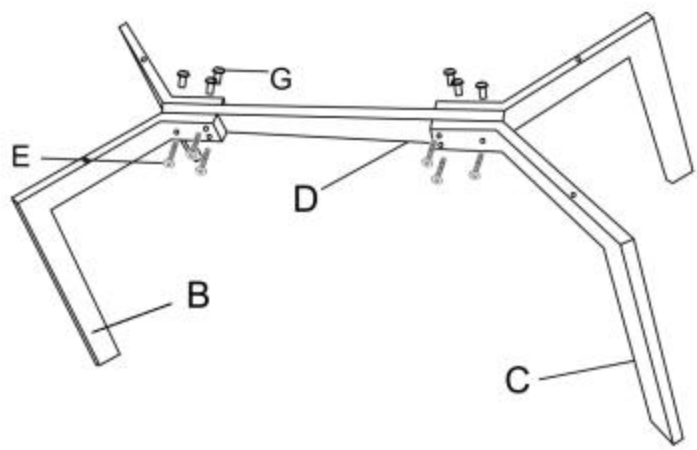
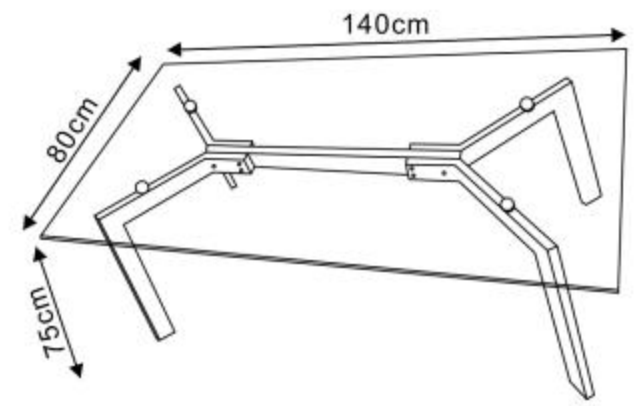
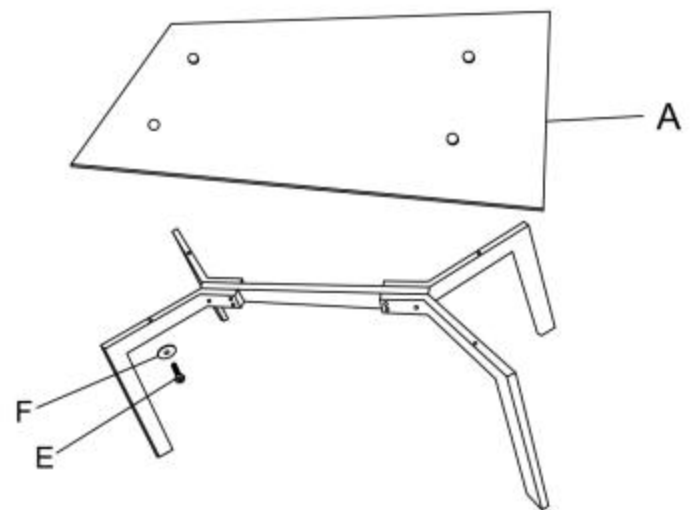


1



A		1
B		2
C		2
D		1
E		10
F		10
G		6

2



max. 30 kg

