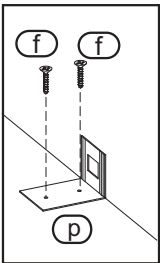
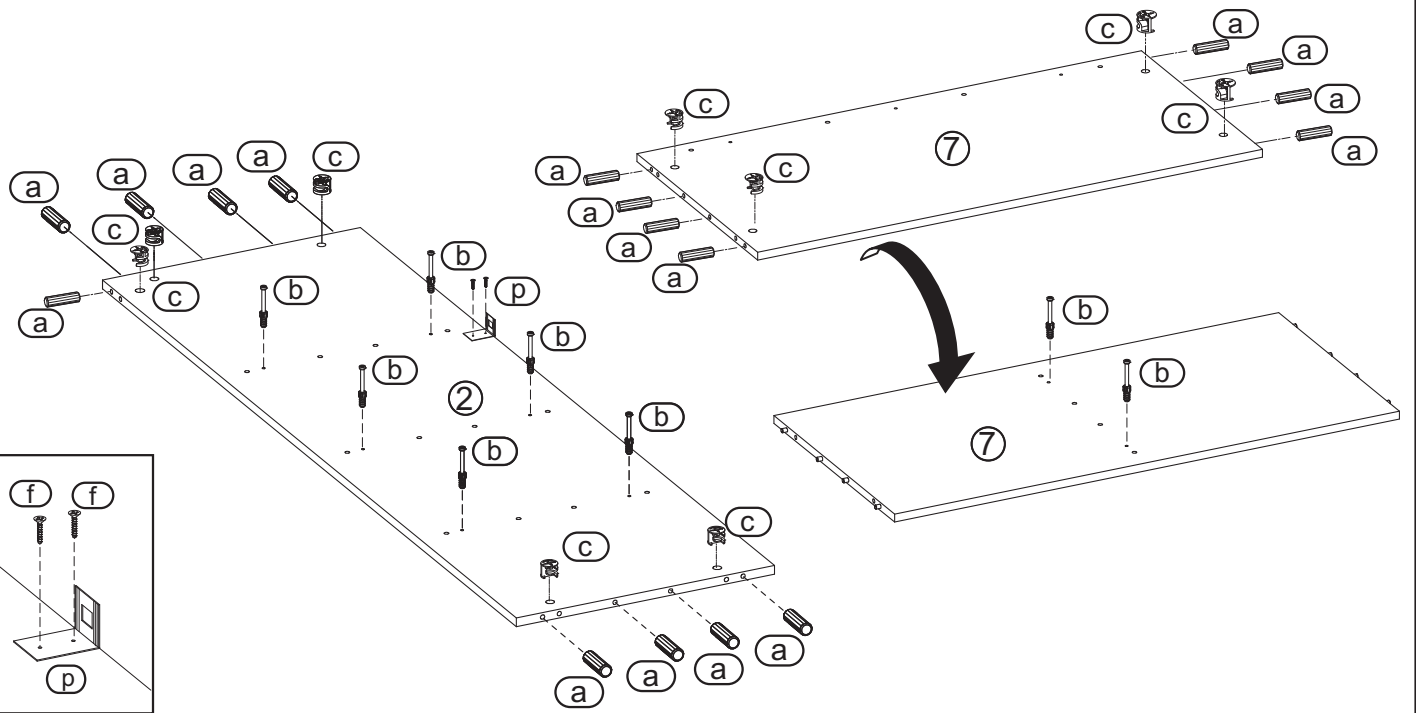
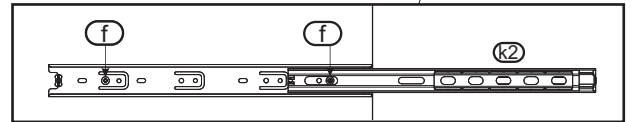
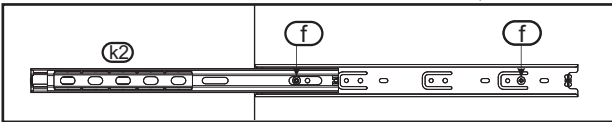
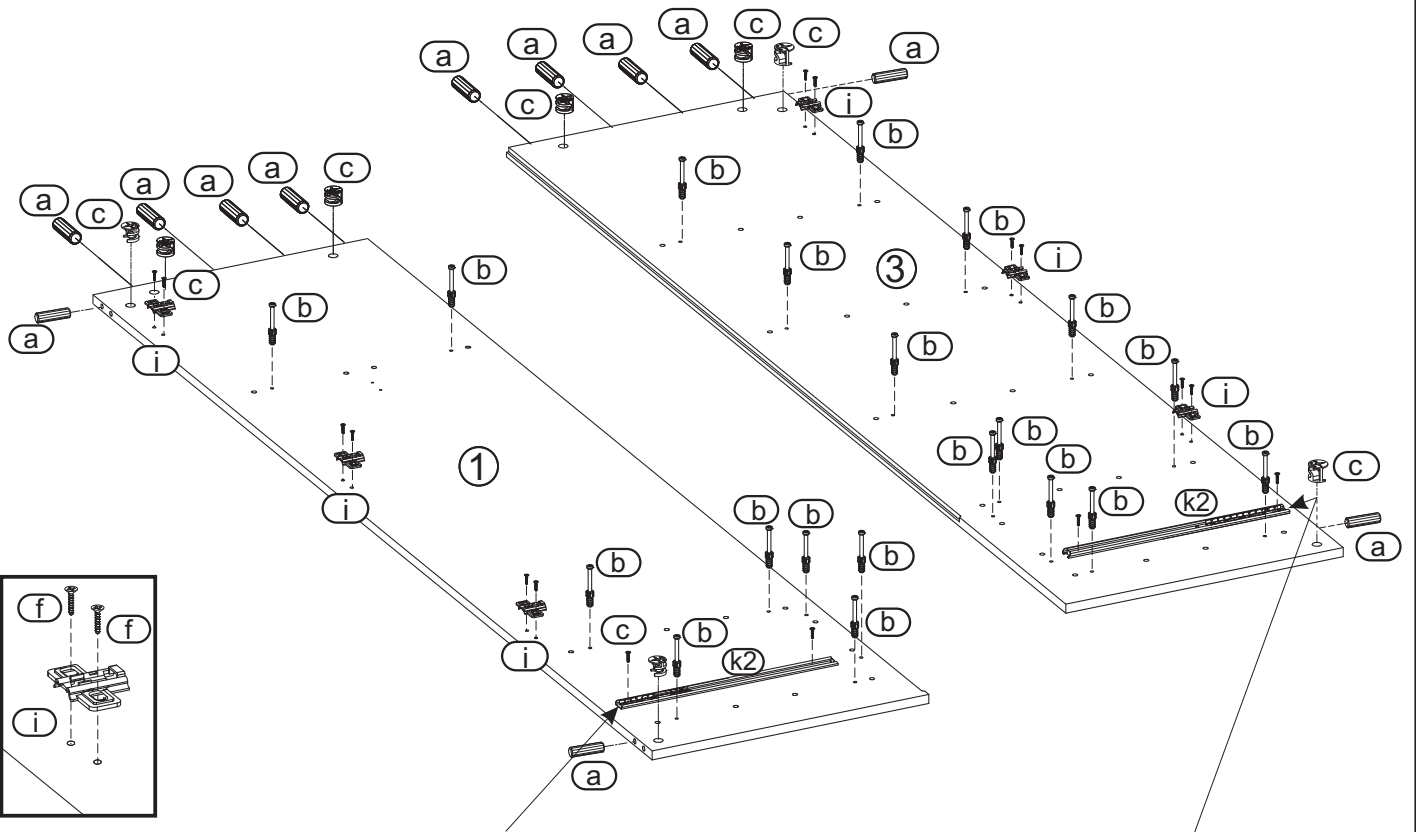
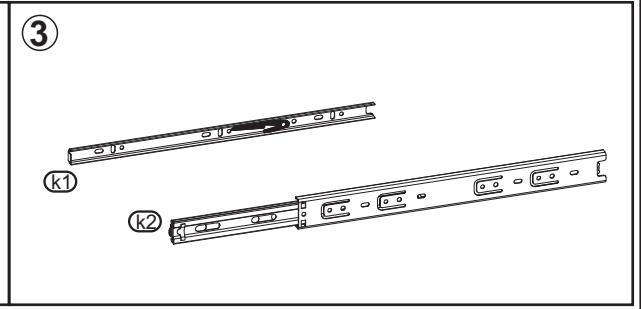
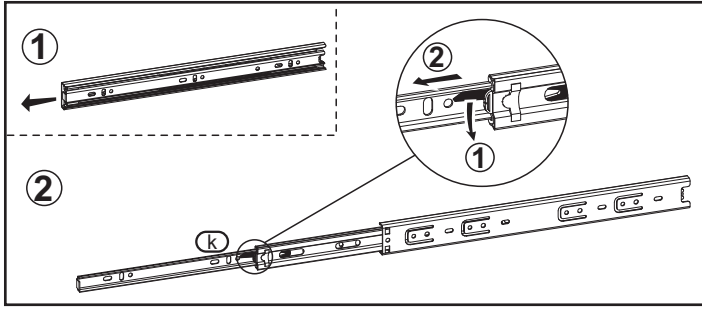
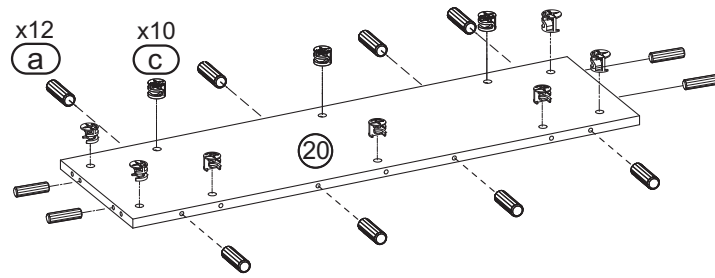


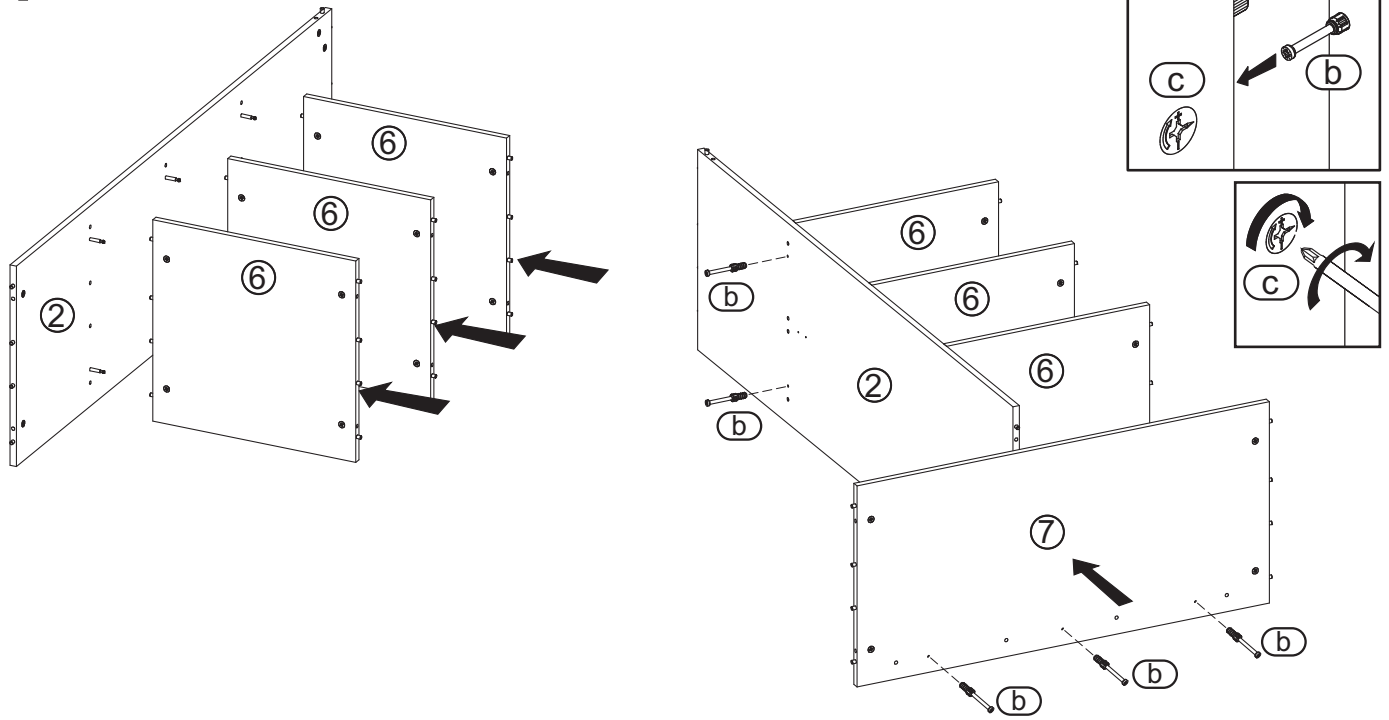
2



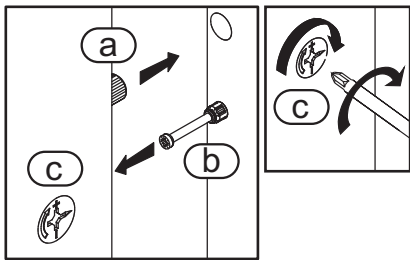
3



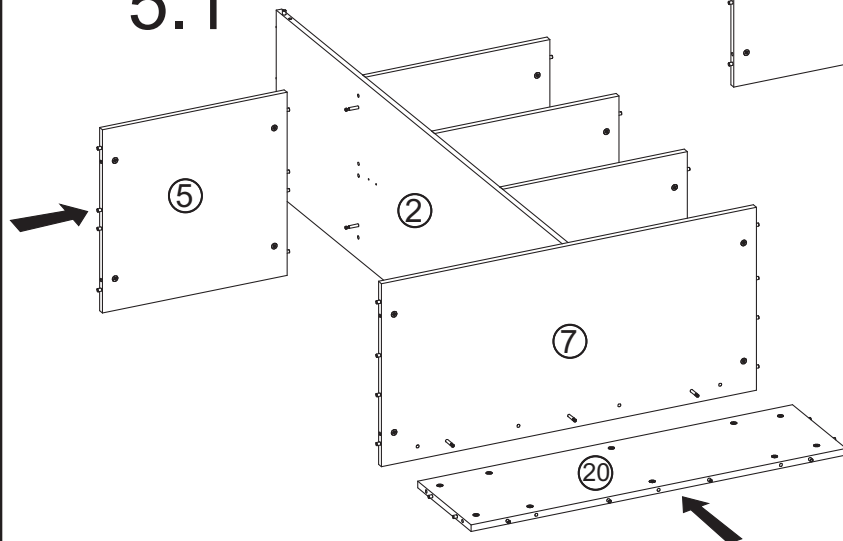
4



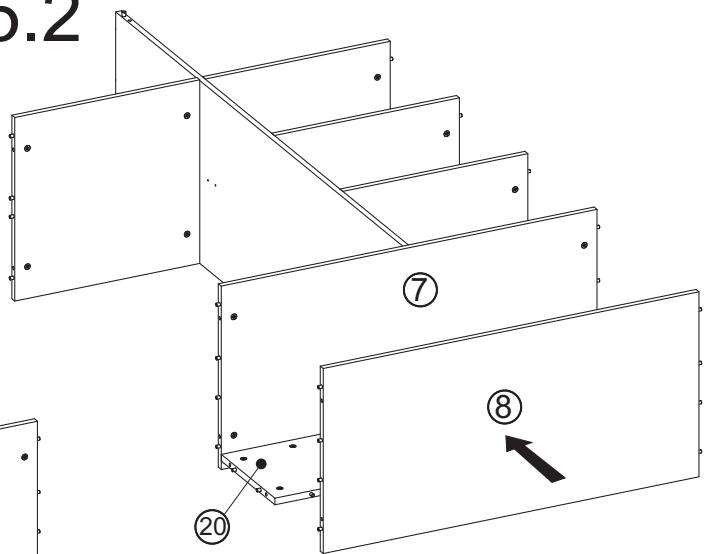
5



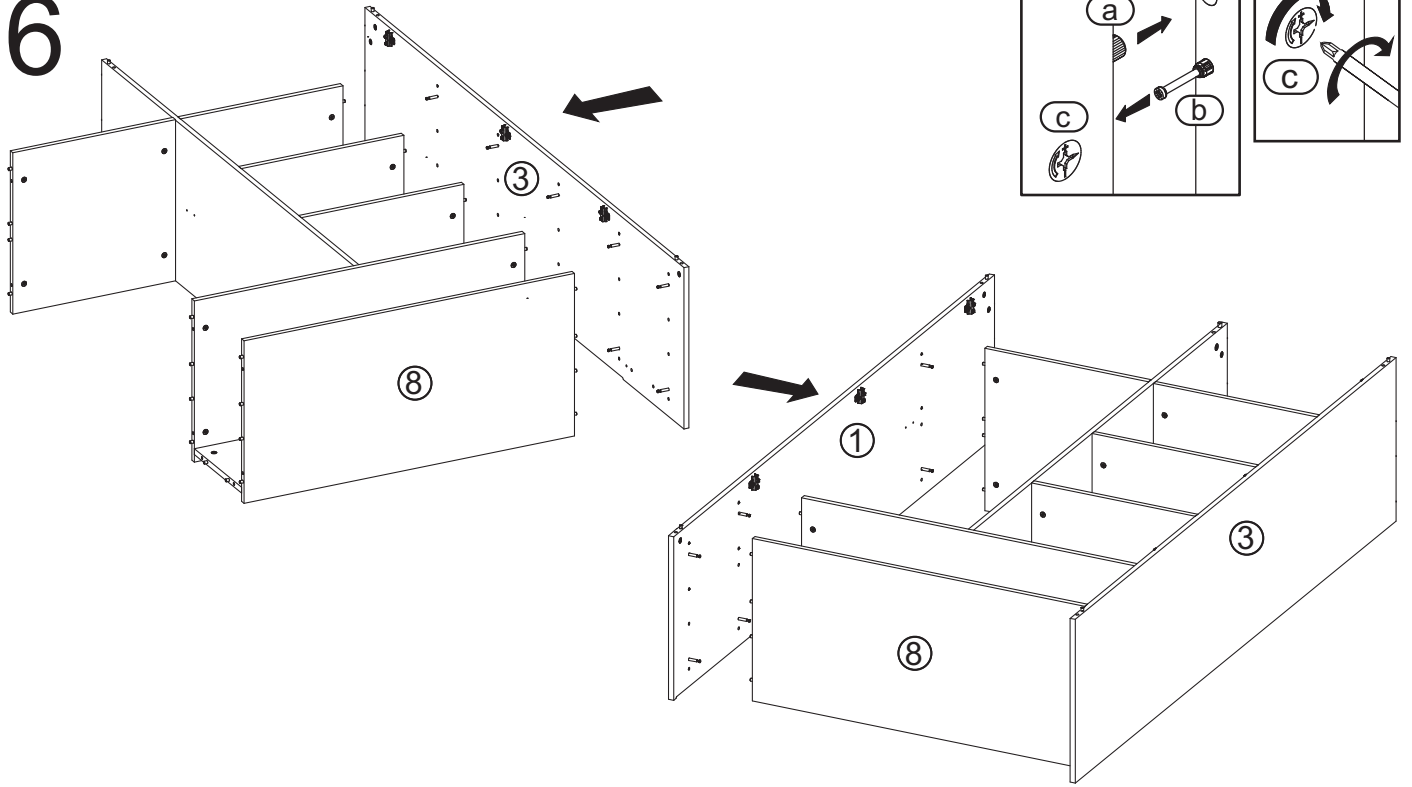
5.1



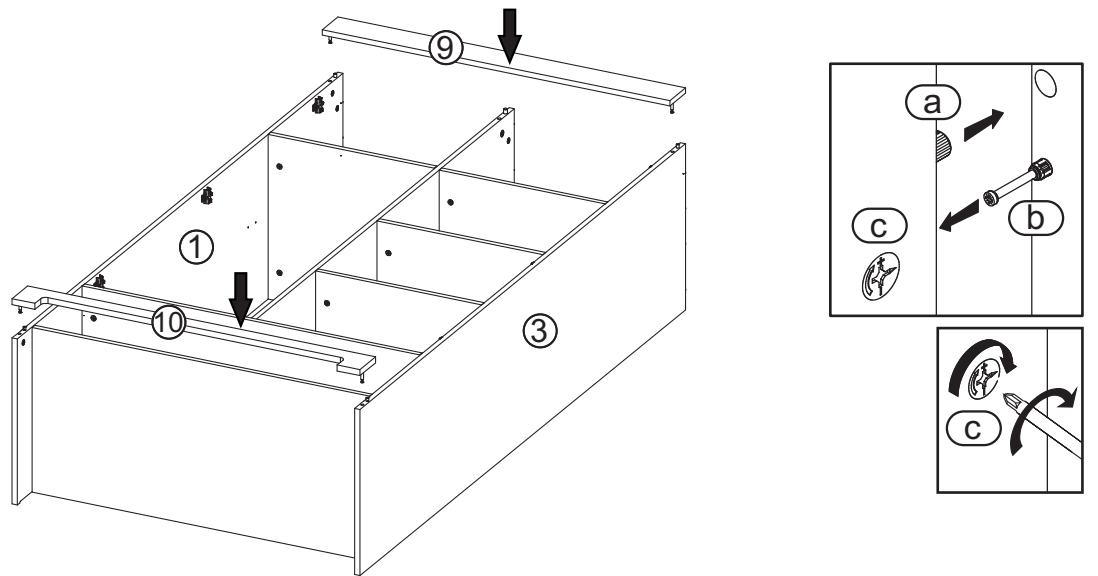
5.2



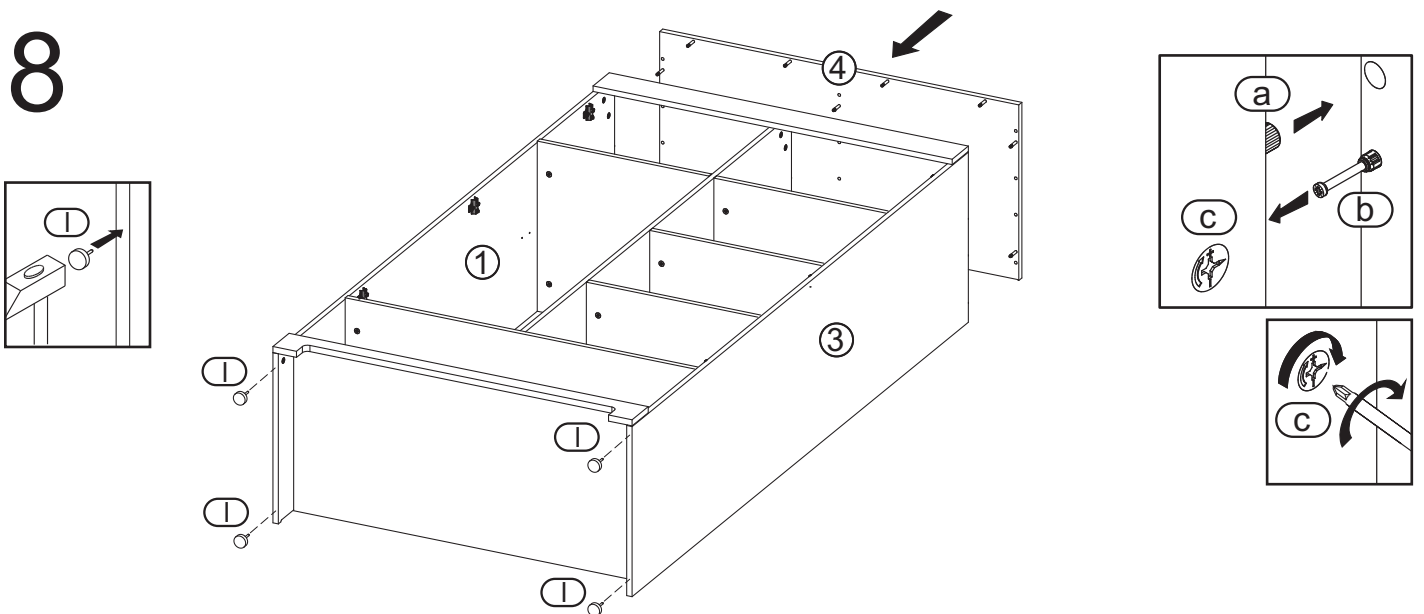
6



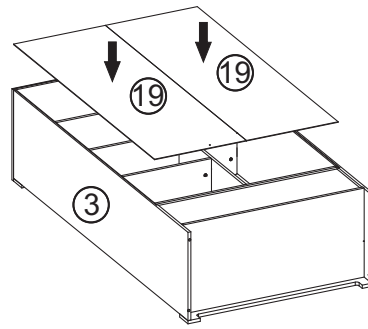
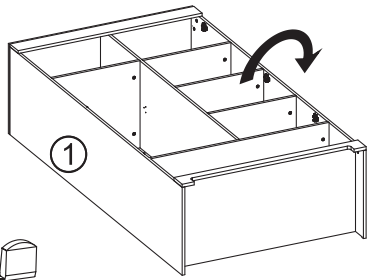
7



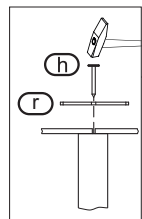
8



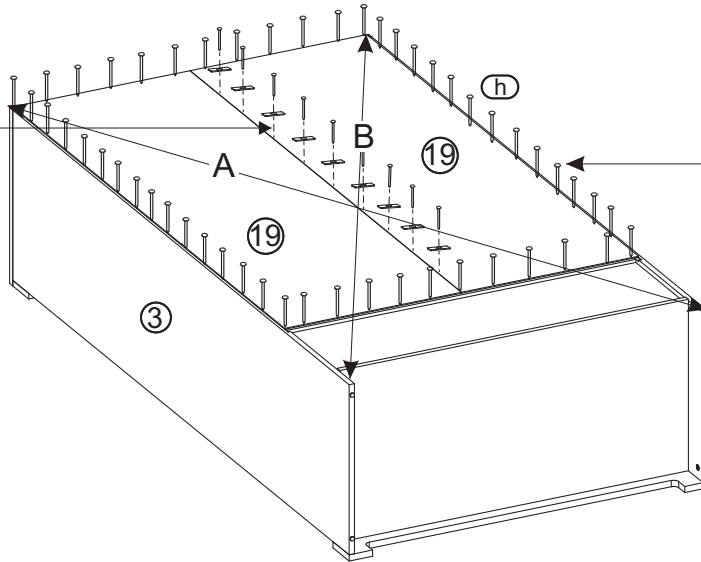
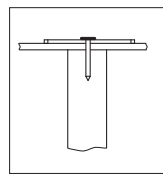
9



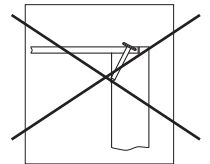
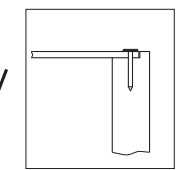
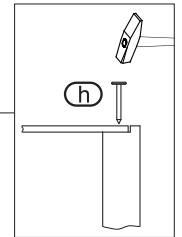
A=B



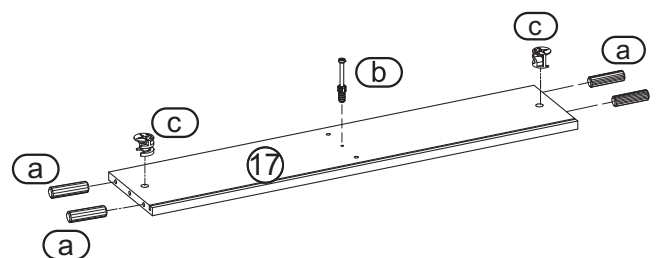
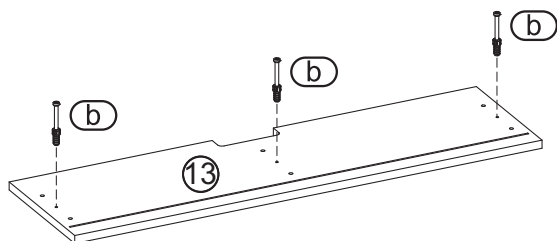
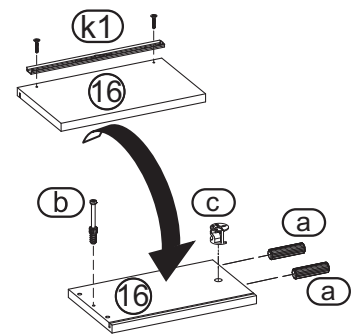
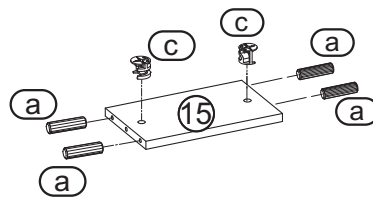
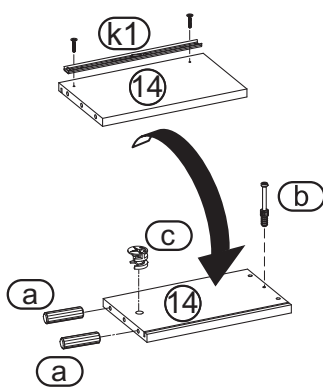
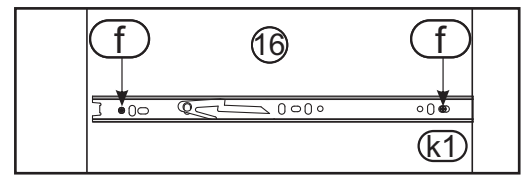
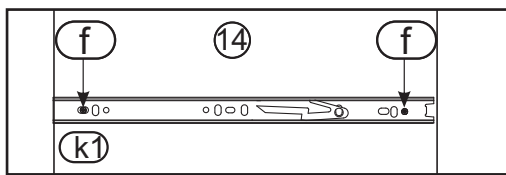
x9



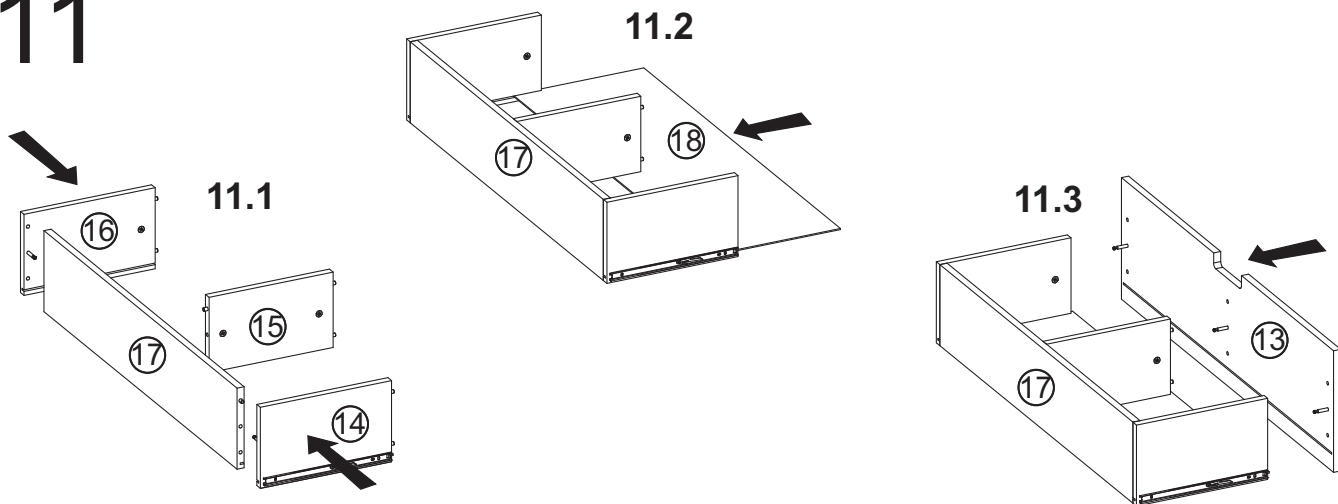
x52



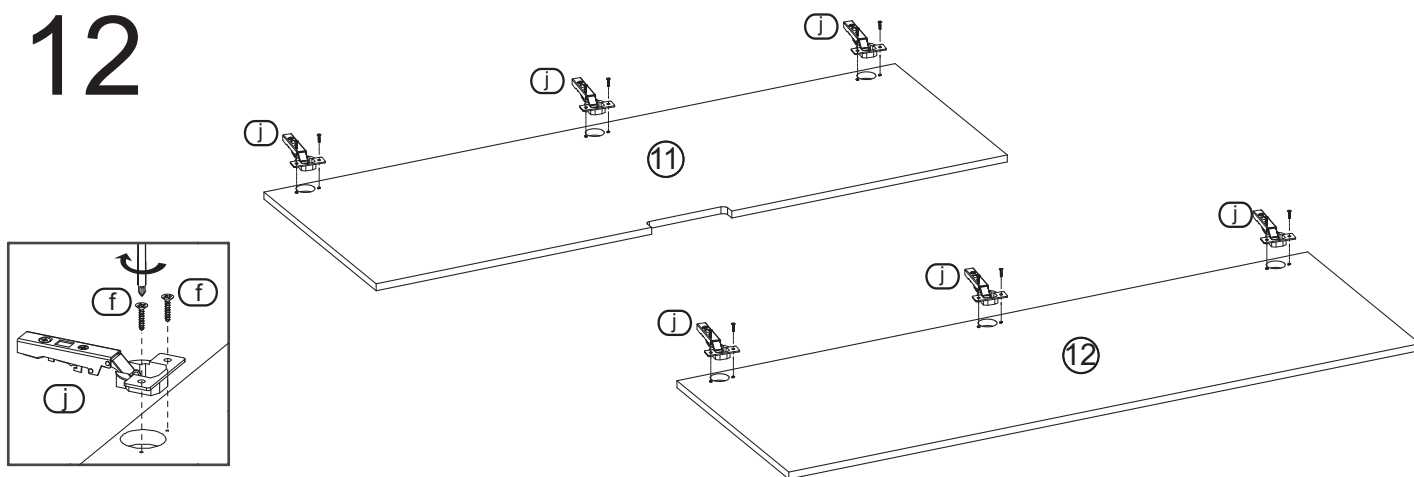
10



11



12



13

