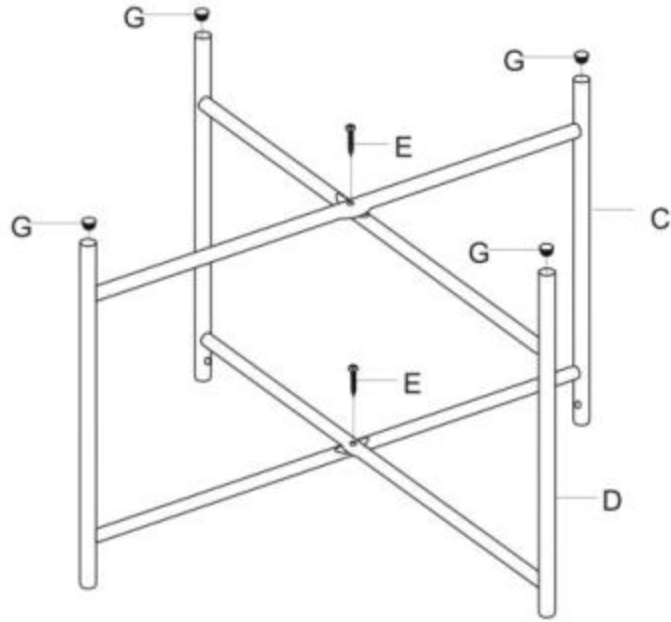
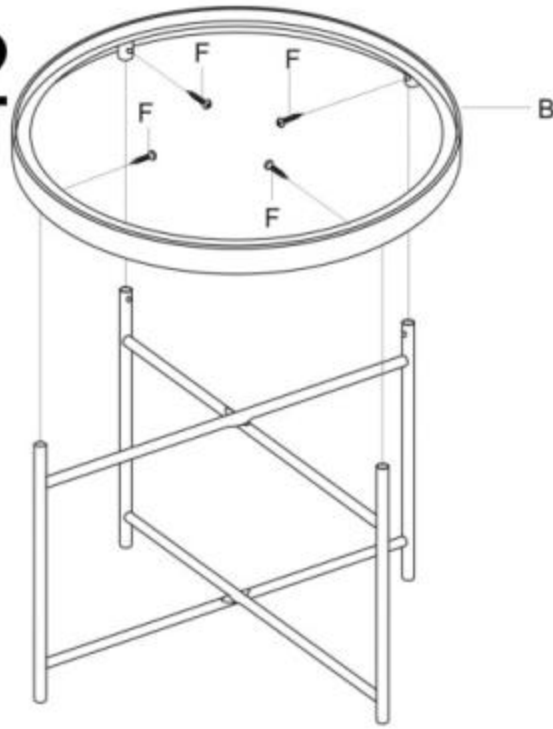


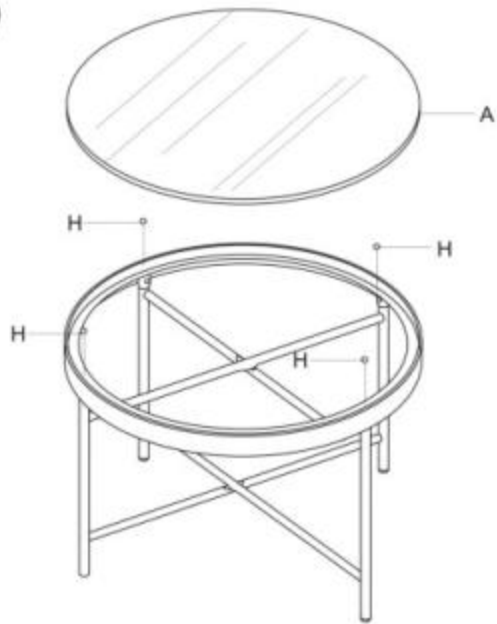
1



2



3



4



A		1
B		1
C		1
D		1
E		2
F		4
G		4
H		4

max. 15 kg

