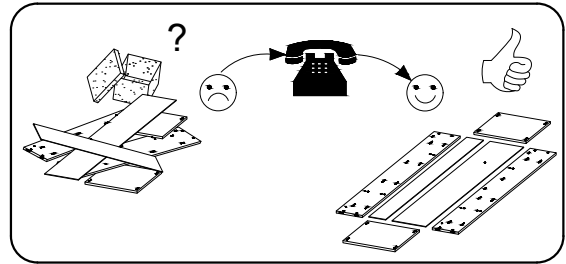
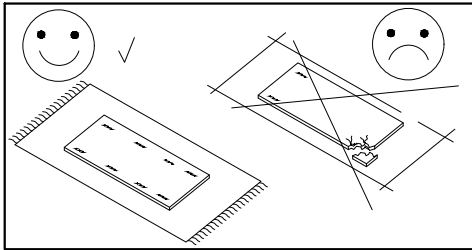
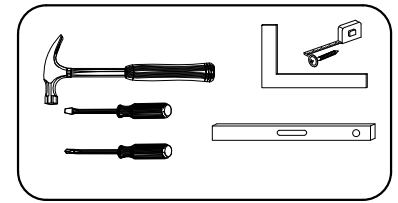
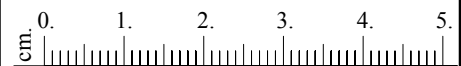
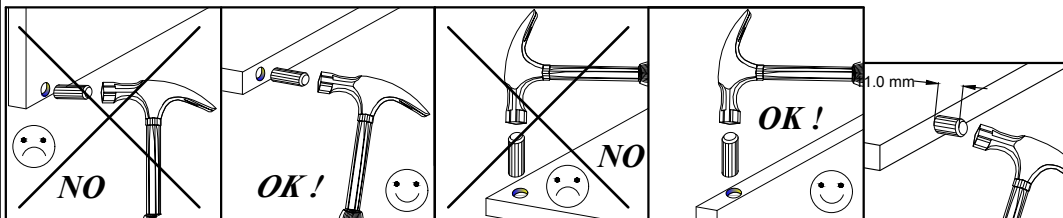


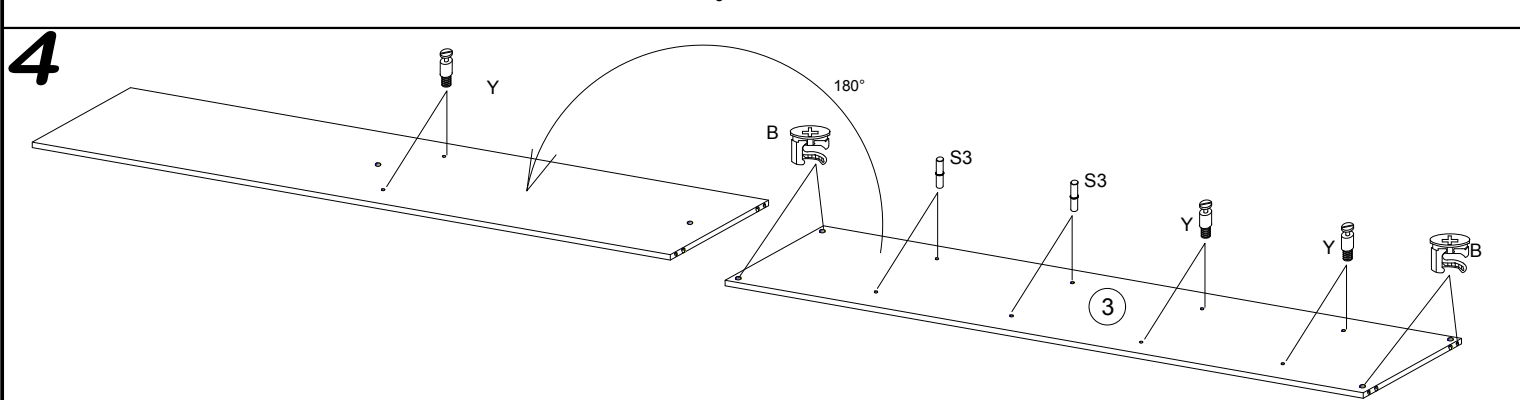
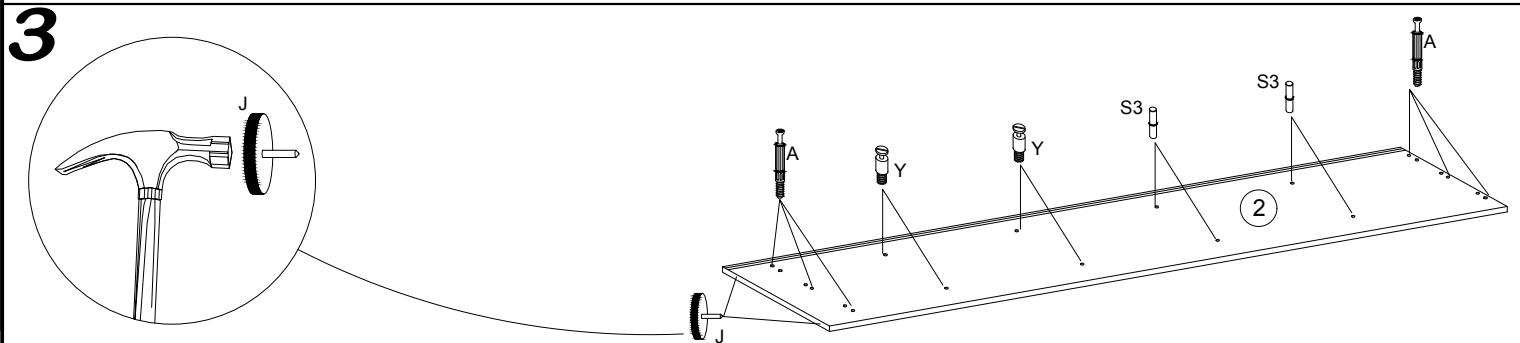
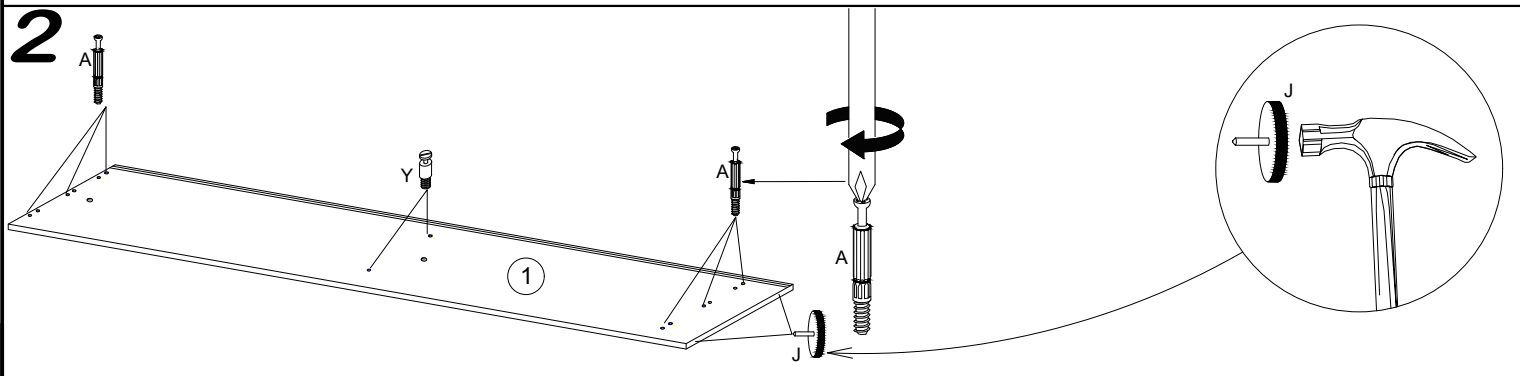
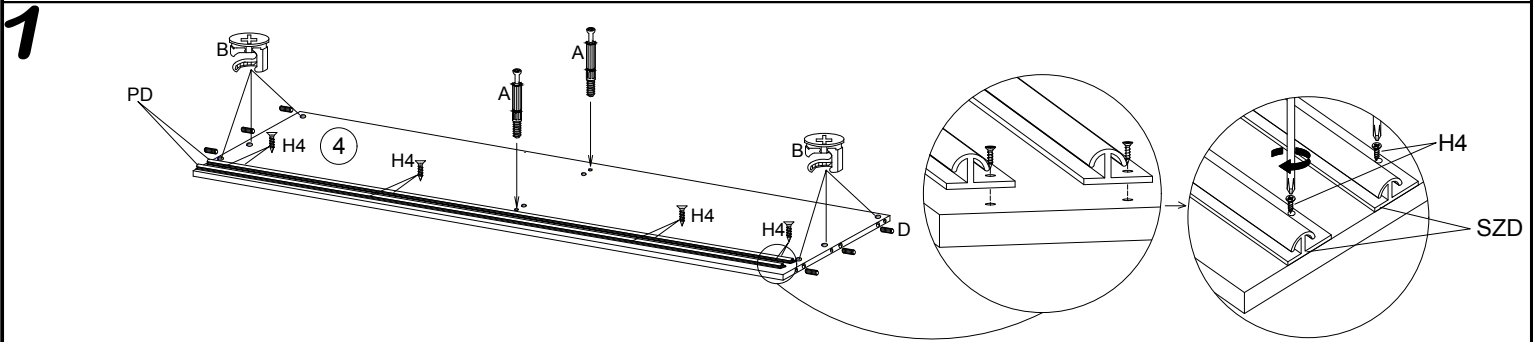
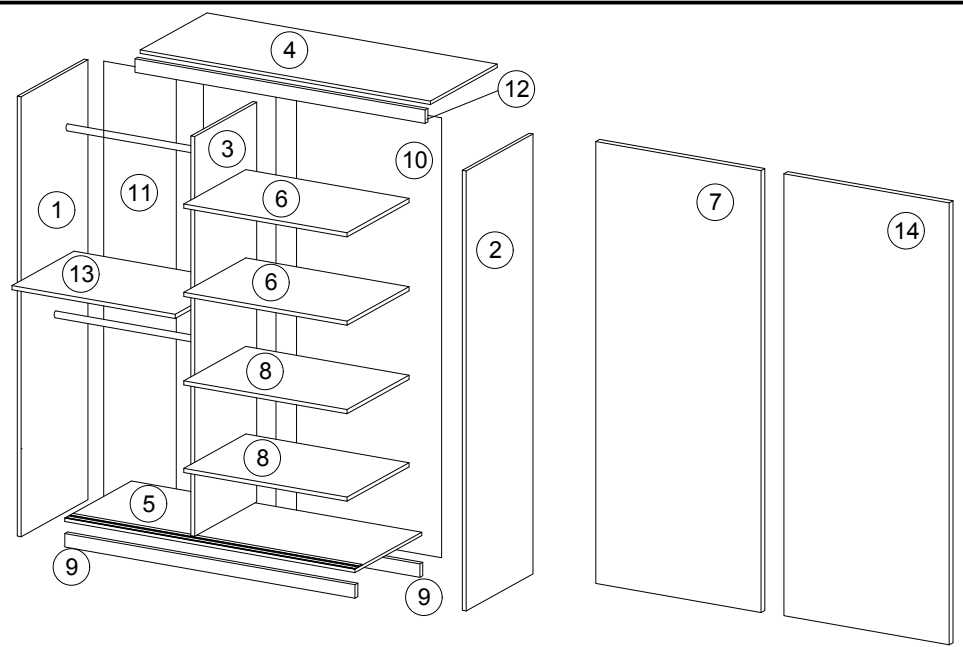
3 hours  
3 zeit  
3 godz.



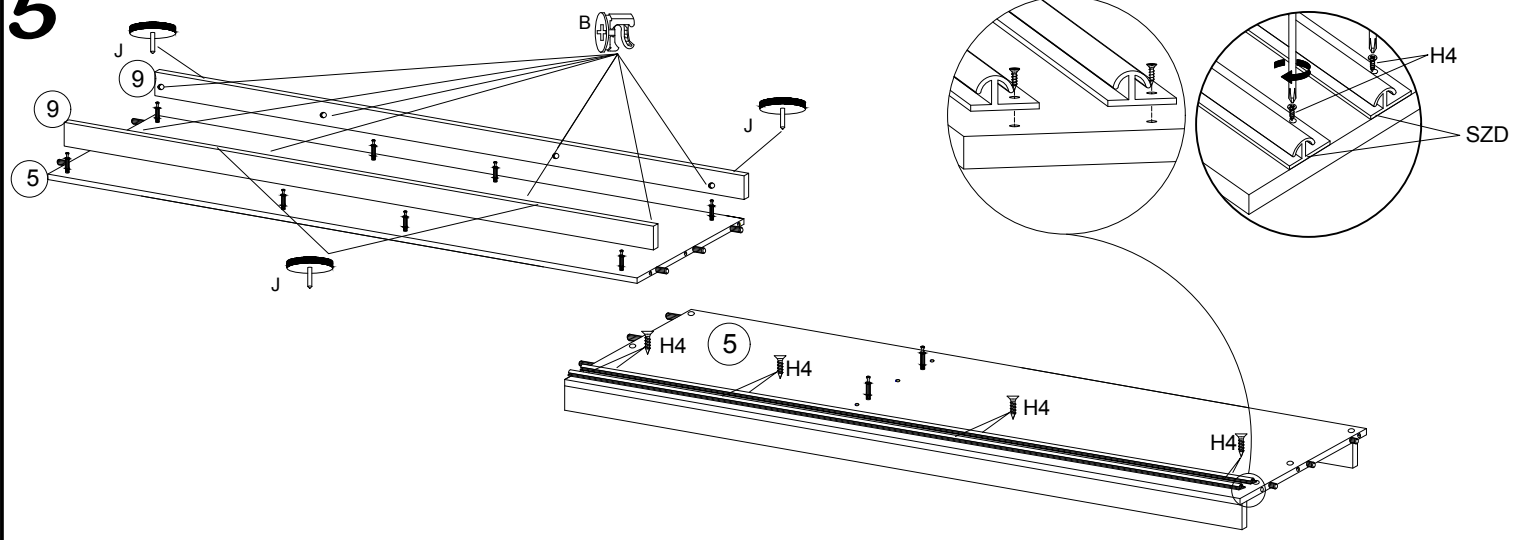
8.0x35  D 16	4.0x25  G 4	 Y 12	 A 28	 B 28	3.5x16  H 24	 V 12	 N 4	 K2 4	 K1 4	 S3 8
 X 20	 F 2	 S 19	 S1 40	 I 30	L-465  V1 2	L-1850  L 1	6.3x13  Q 8	 J 8	 PD 4	3.0x13  H4 16



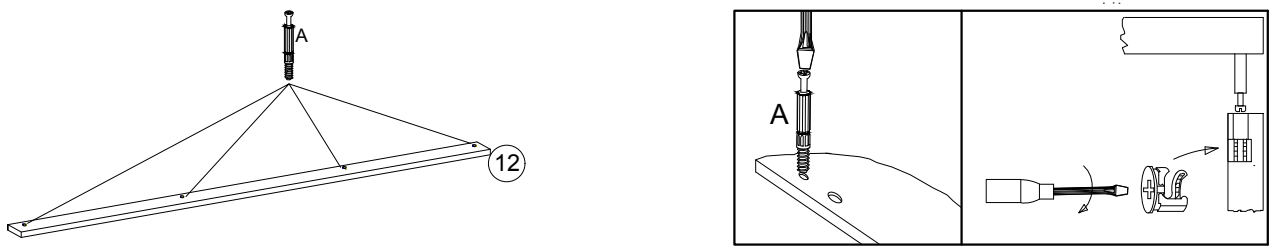
No.	Pcs.	L	W	D
1.	1	2000	620	16
2.	1	2000	620	16
3.	1	1888	480	16
4.	1	1468	582	16
5.	1	1468	600	16
6.	2	475	480	6.
7.	1	1873	750	16
8.	2	475	480	16
9.	2	1468	80	16
10.	1	1918	492	3
11.	2	1918	496	3
12.	1	1468	70	16
13.	1	976	480	16
14.	1	1873	750	16



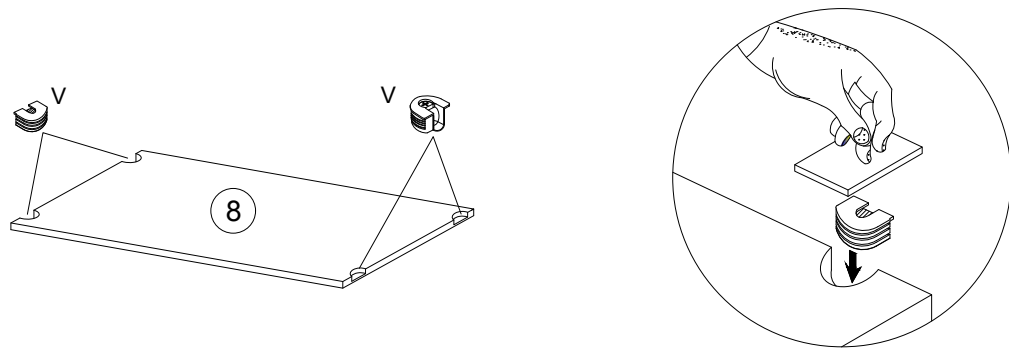
5



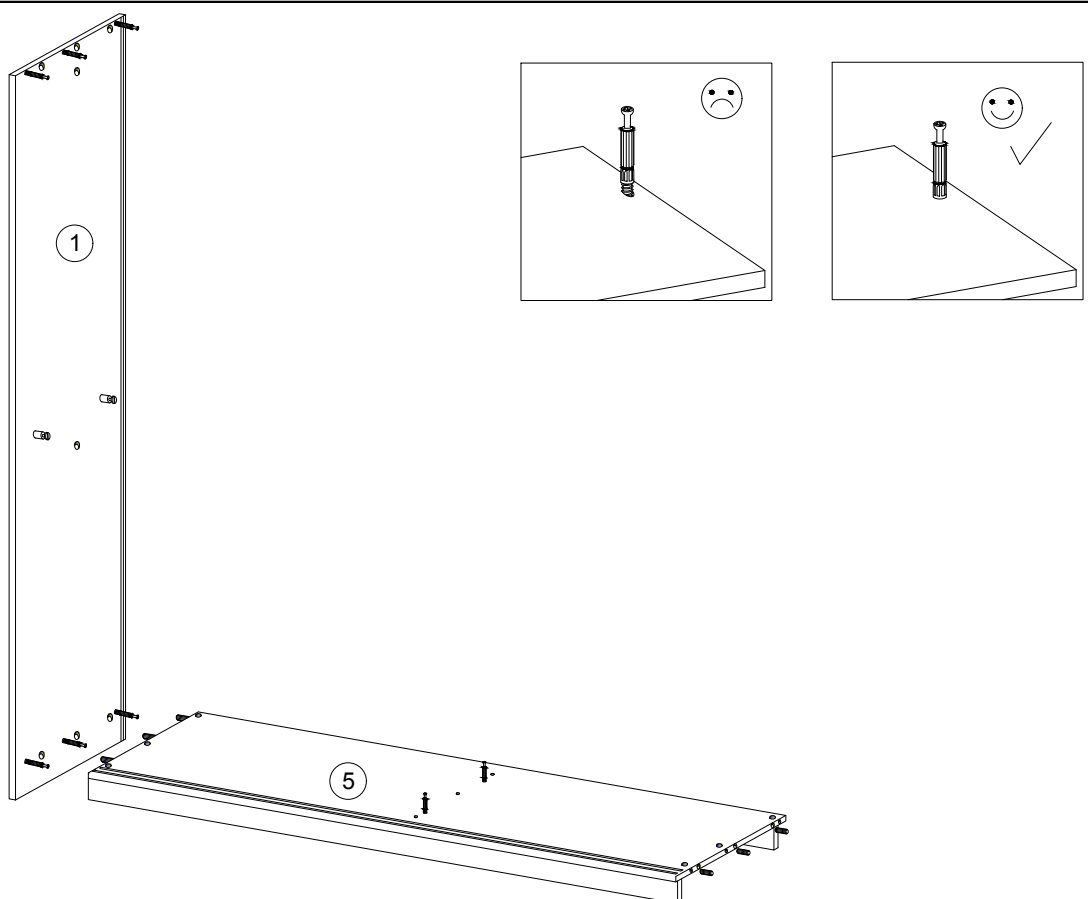
6



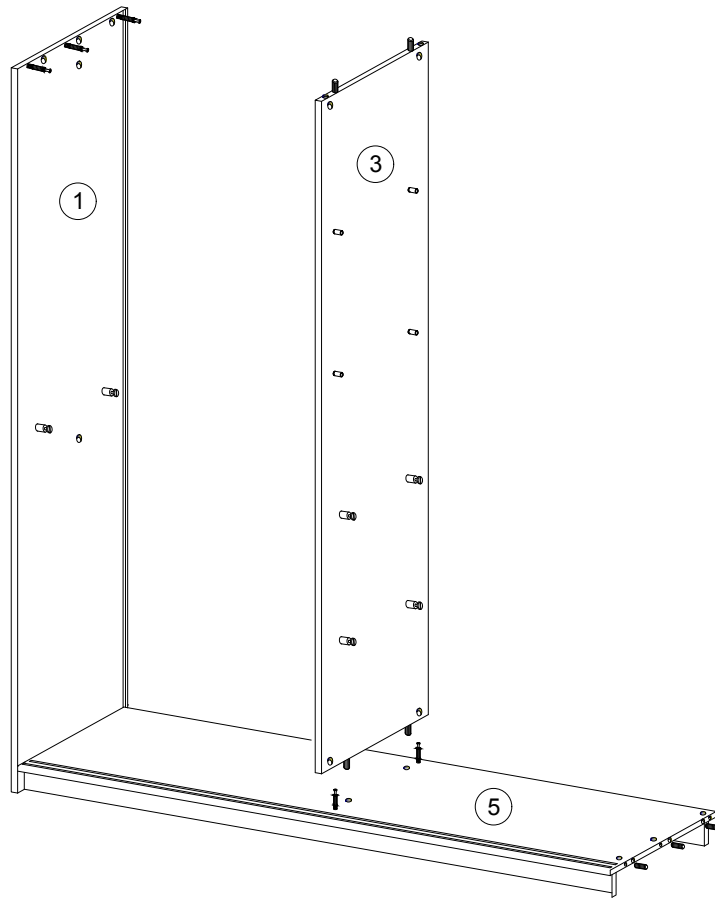
7



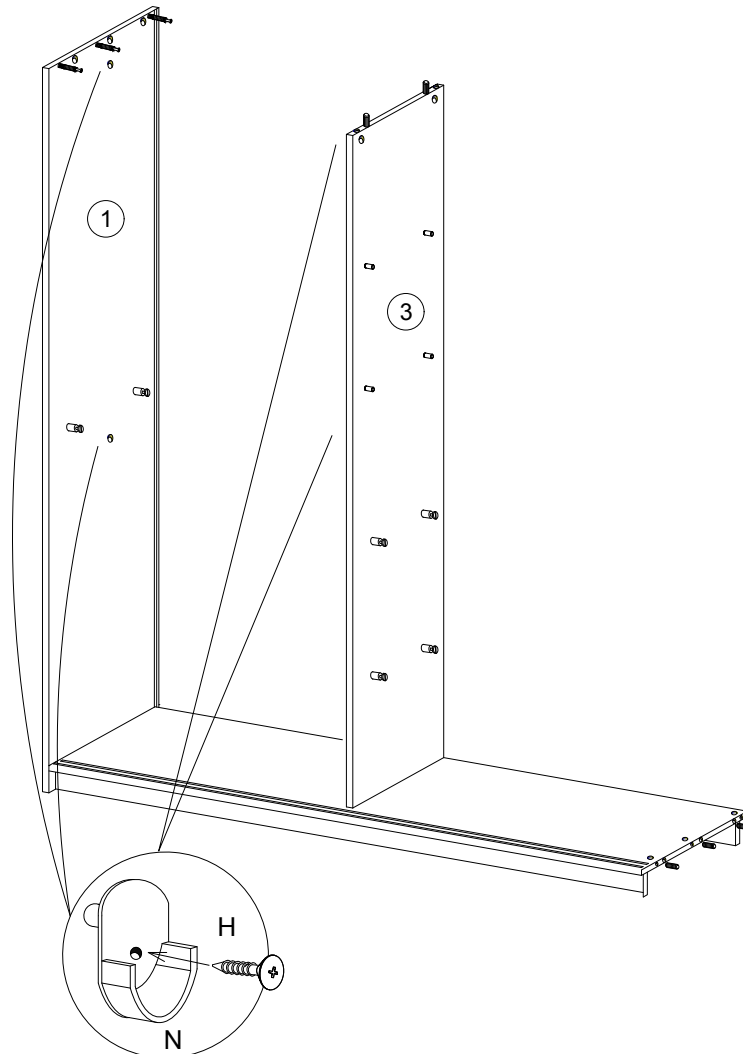
8



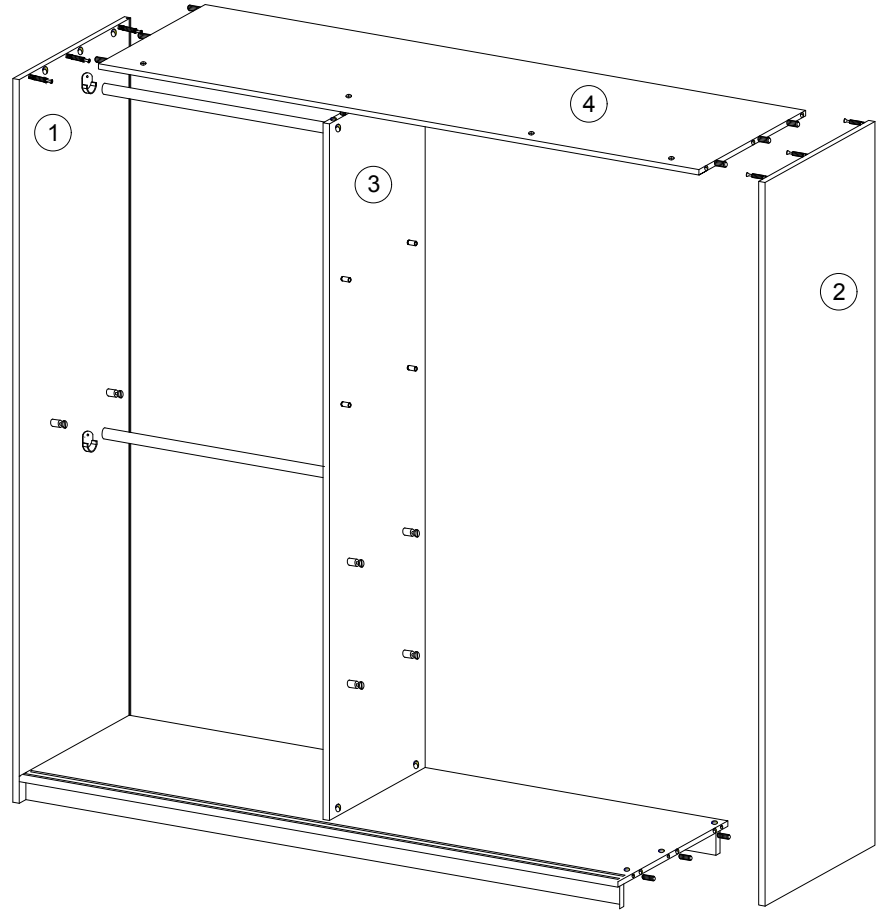
9



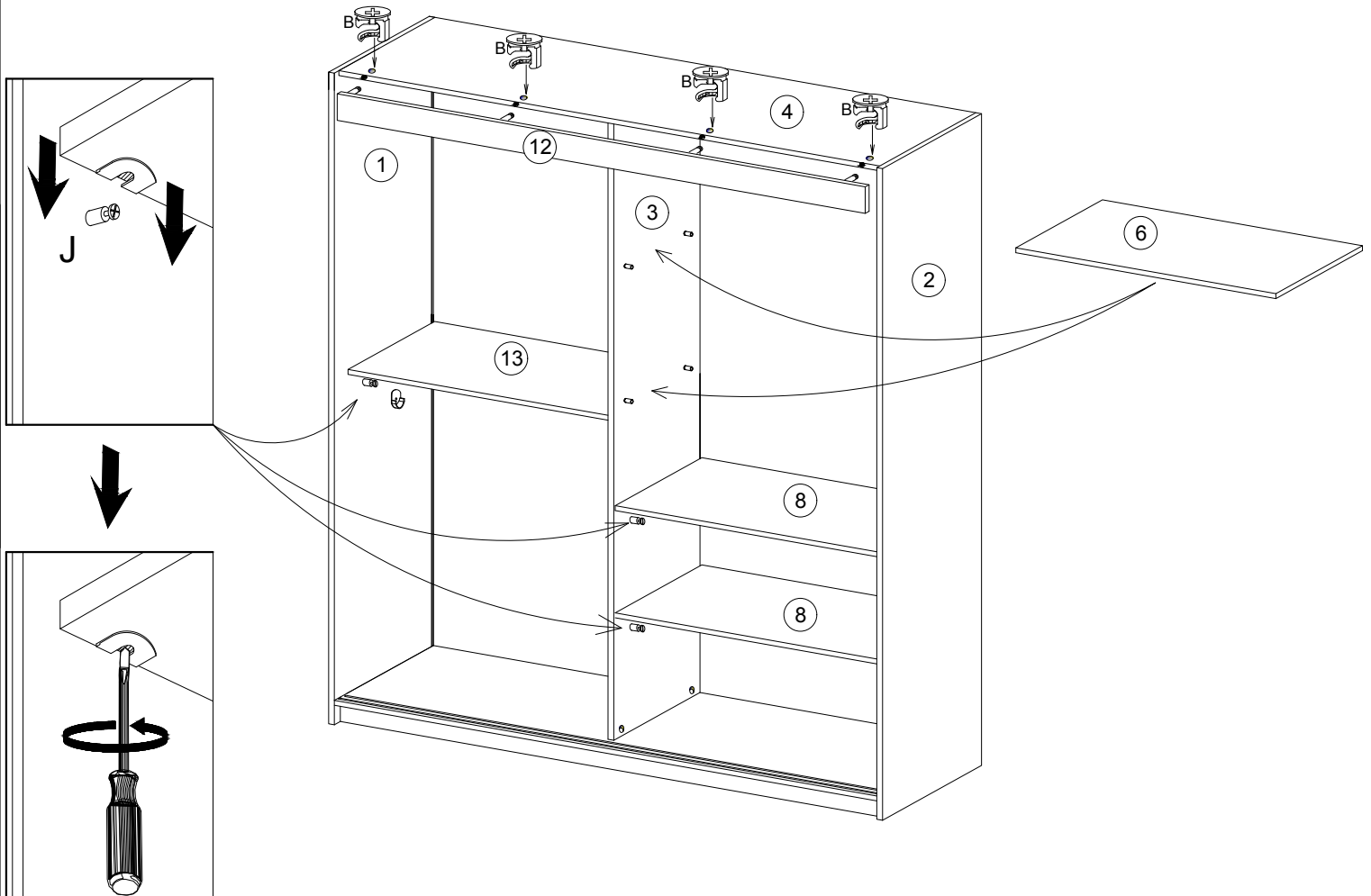
10



# 11

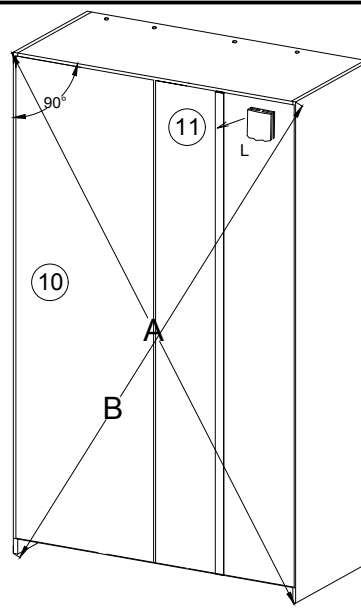


# 12

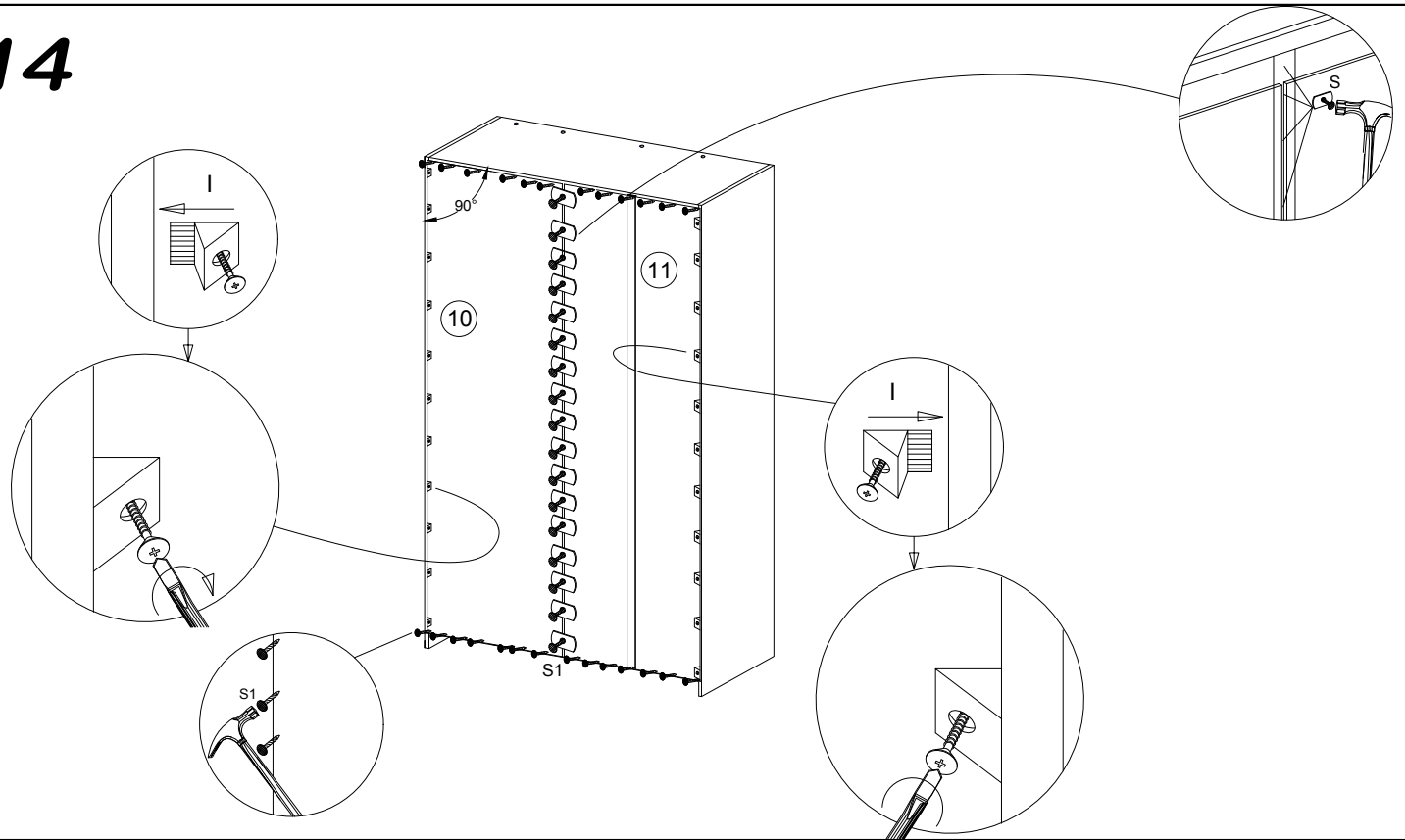


# 13

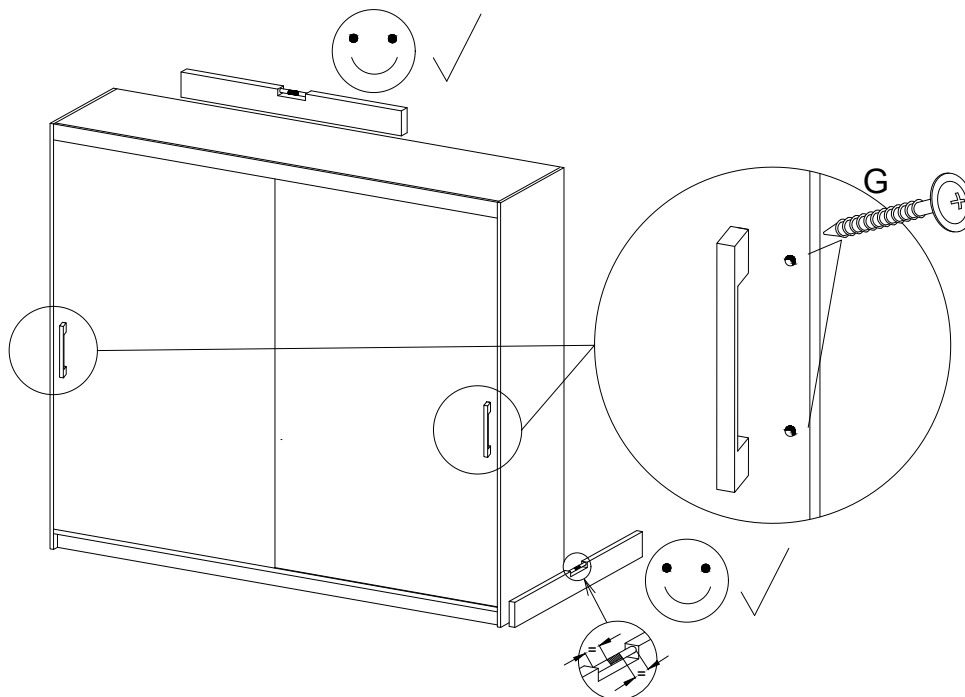
**A=B**



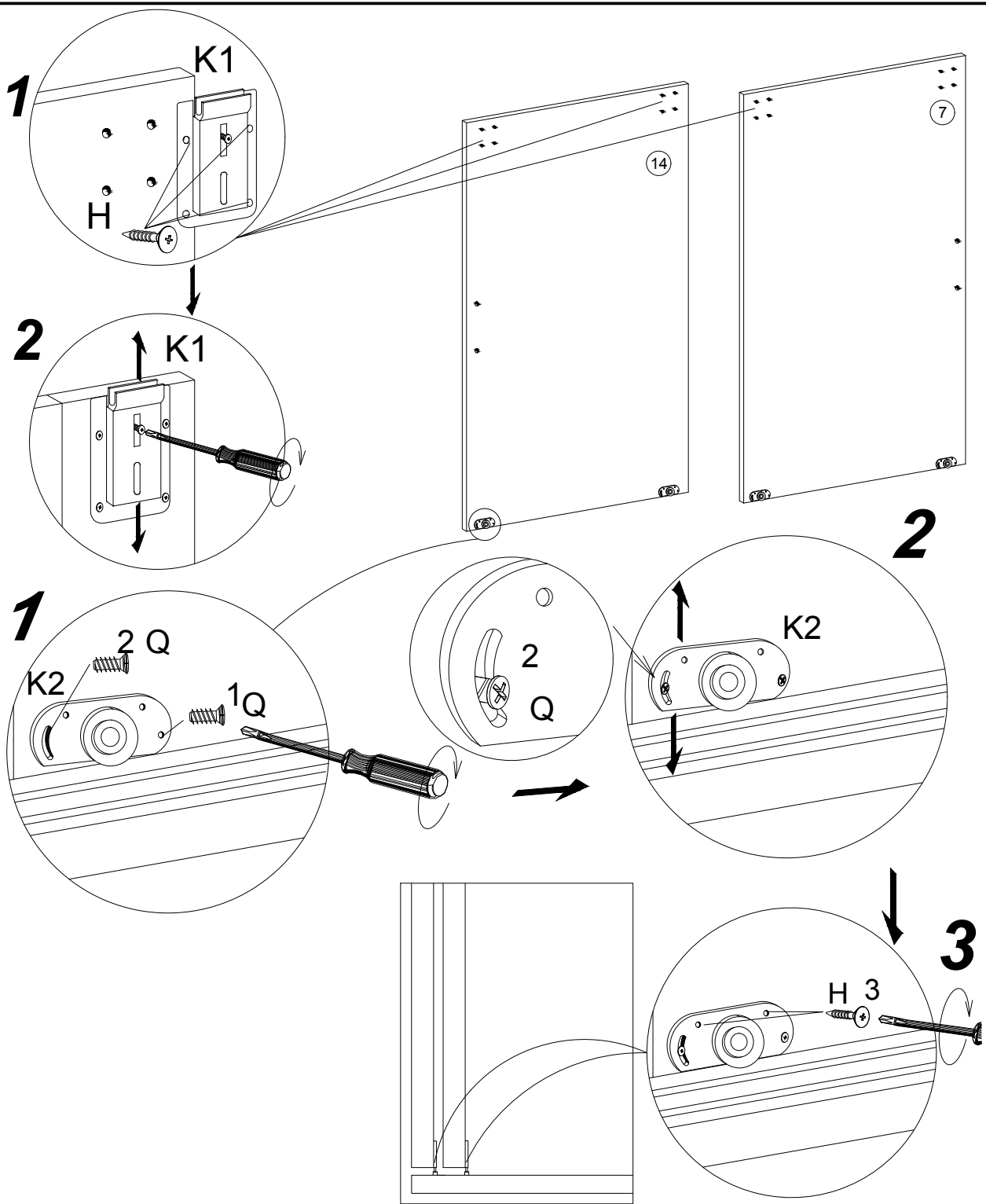
# 14



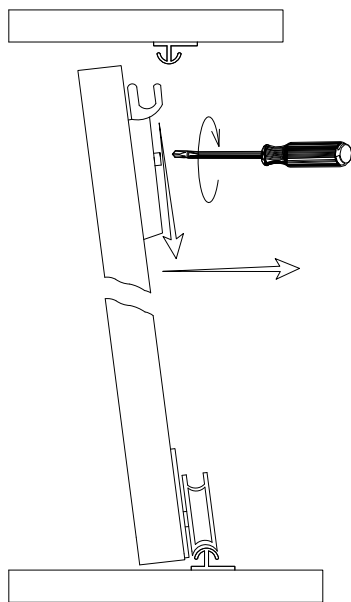
# 15



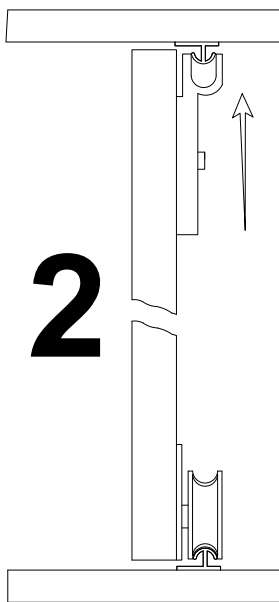
# 16



# 1



# 2



# 3

