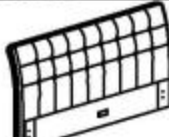










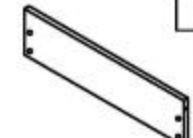












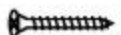
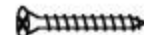










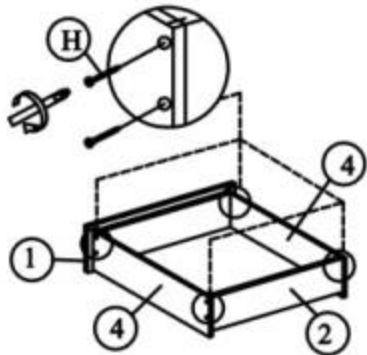
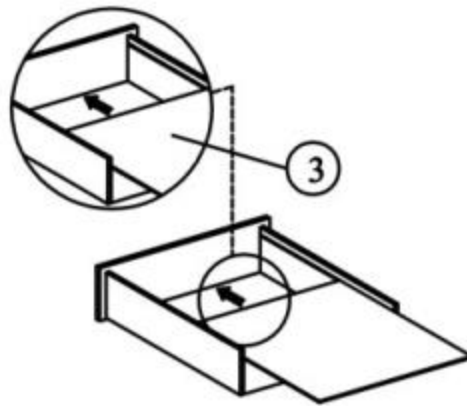
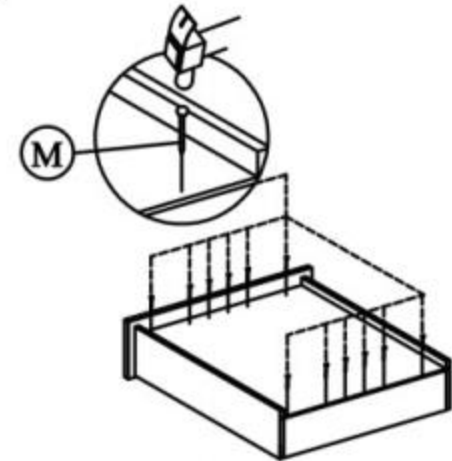
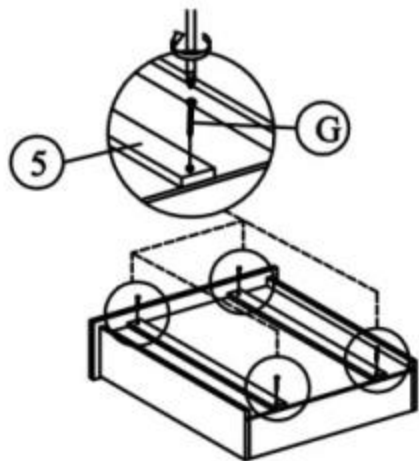
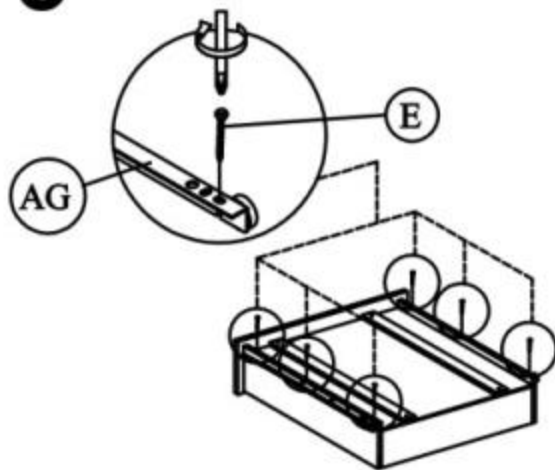
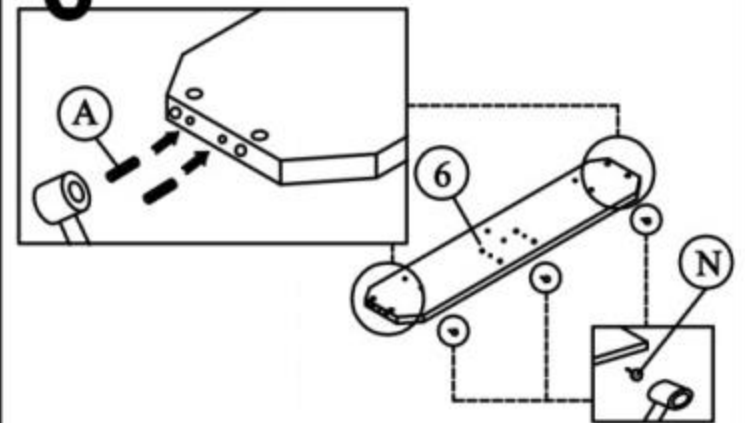
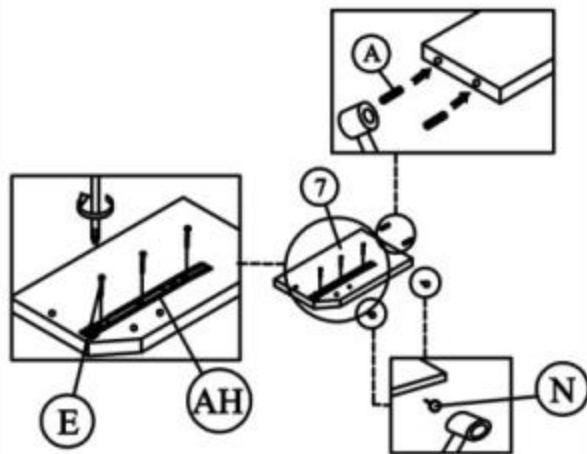


<b>A</b>  1 pc	<b>B</b>  1 pc	<b>C</b>  2 pcs	
<b>D</b>  1 pc	<b>E</b>  1 pc	<b>F</b>  2 pcs	
<b>G</b>  4 pcs	<b>H</b>  4 pcs		
<b>I</b>  2 pcs	<b>J</b>  2 pcs	<b>K</b>  2 pcs	<b>L</b>  4 pcs
<b>M</b>  4 pcs	<b>N</b>  1 pc	<b>O</b>  1 pc	<b>P</b>  1 pc
<b>Q</b>  1 pc	<b>R</b>  1 pc	<b>S</b>  1 pc	

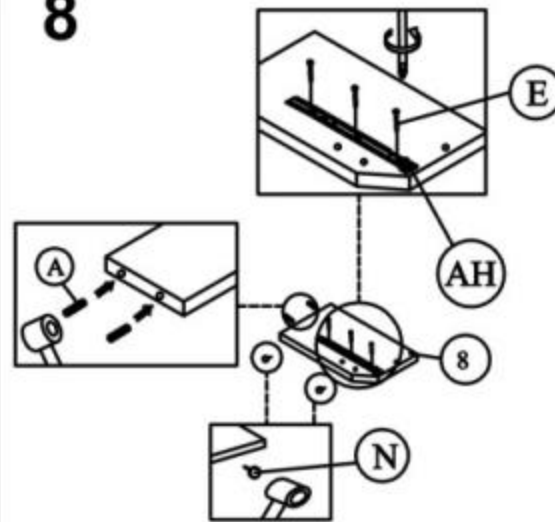
<b>T</b>  15 pcs (8 x 25)	<b>U</b>  9 pcs JCBC W M6 x 40	<b>V</b>  2 pcs JCBC M6 x 40	<b>W</b>  2 pcs JCBC M6 x 60
<b>X</b>  28 pcs CSK M3.5 x 16 mm	<b>Y</b>  1 pc CSK M4 x 25 mm	<b>Z</b>  18 pcs CSK M4 x 32 mm	<b>Z1</b>  16 pcs CSK M4 x 50 mm
<b>Z2</b>  10 pcs	<b>Z3</b>  6 pcs	<b>Z4</b>  6 pcs	<b>Z5</b>  6 pcs
<b>Z6</b>  24 pcs	<b>Z7</b>  9 pcs	<b>Z8</b>  1 pc	<b>Z9</b>  2 pcs
<b>Z10</b>  8 pcs JCBC M6 x 30			

**1****2****3****4****5****6**

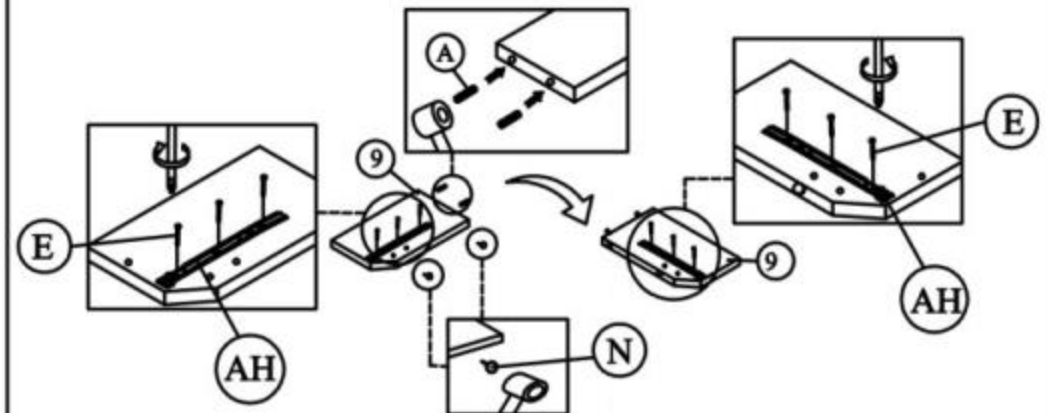
7



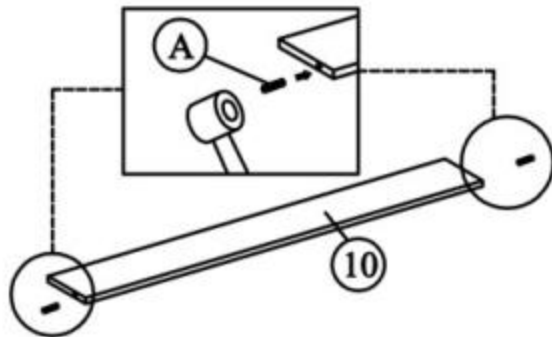
8



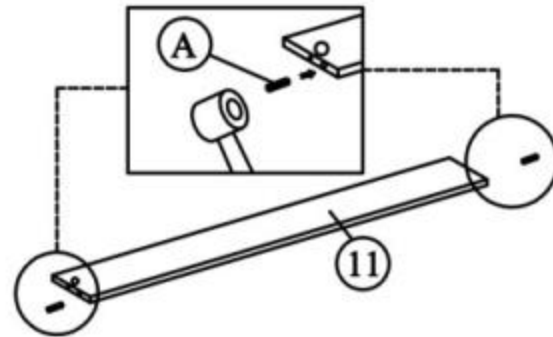
9



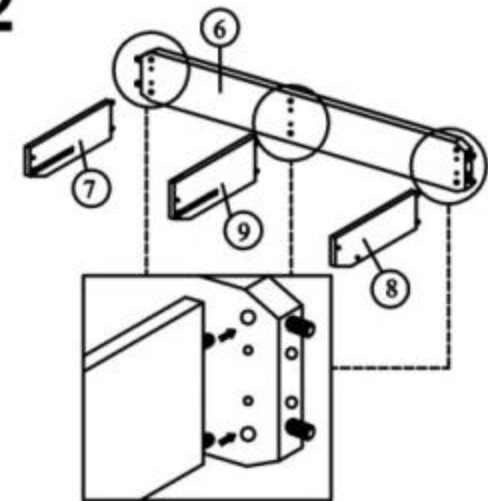
10



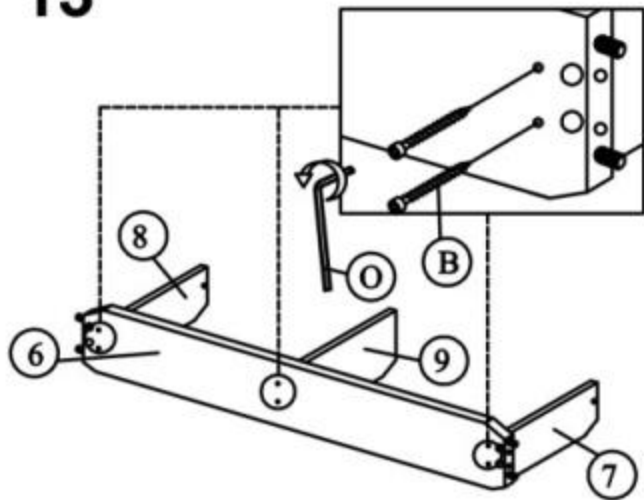
11



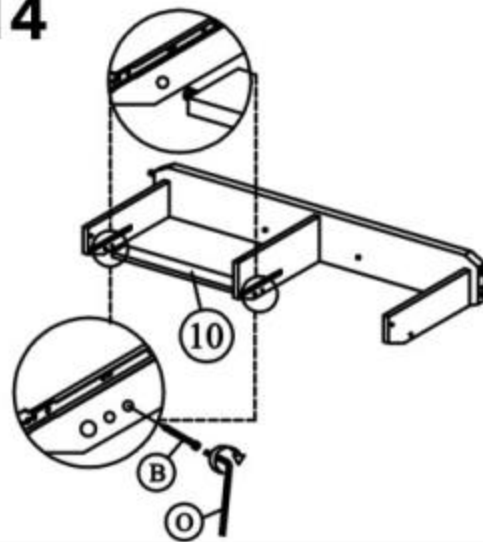
12



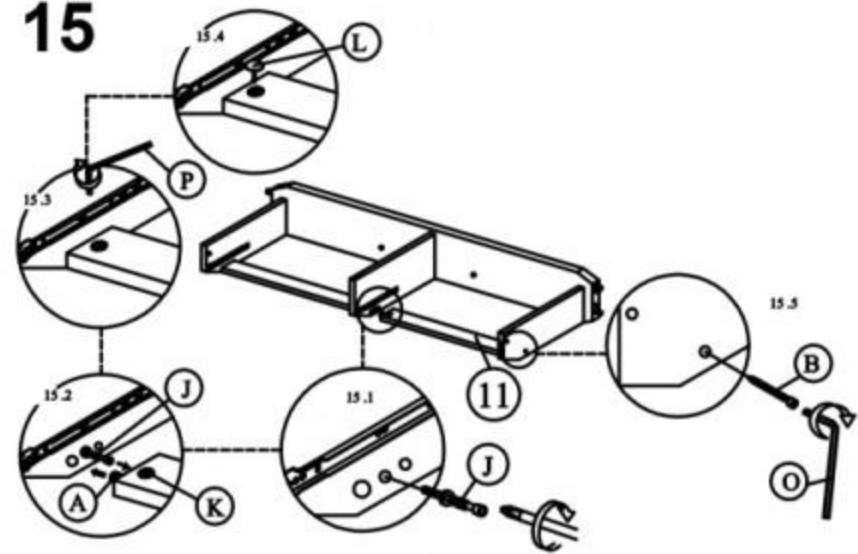
13



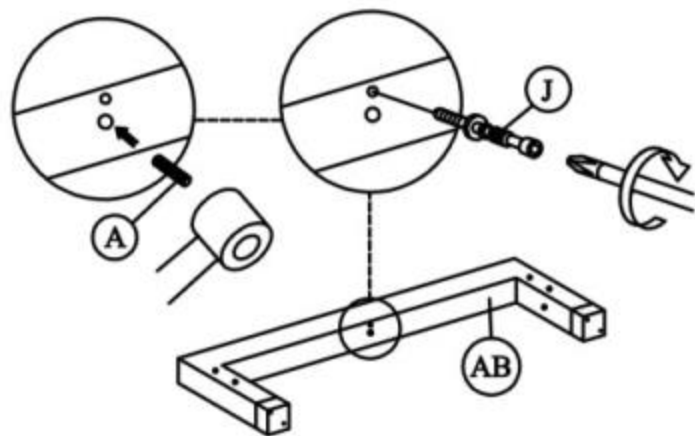
14



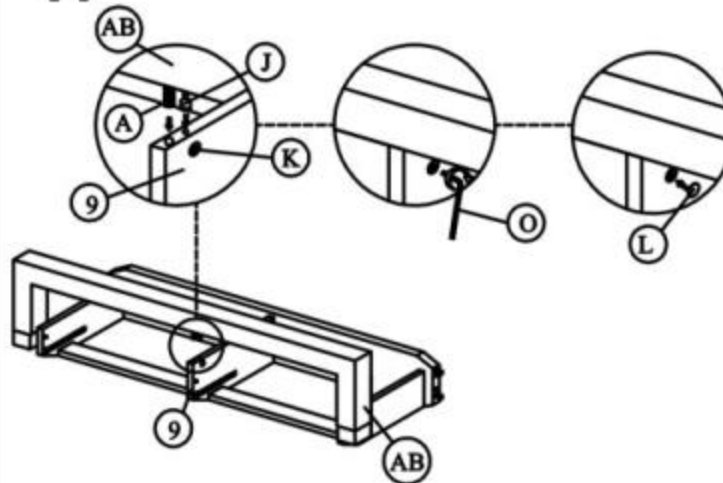
15



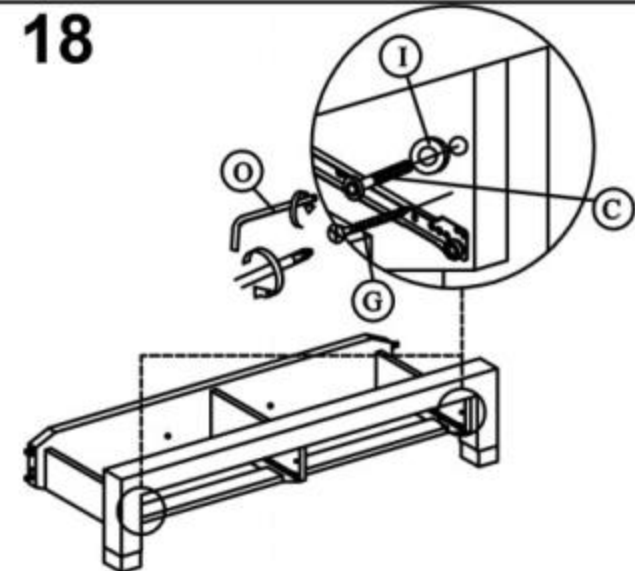
16



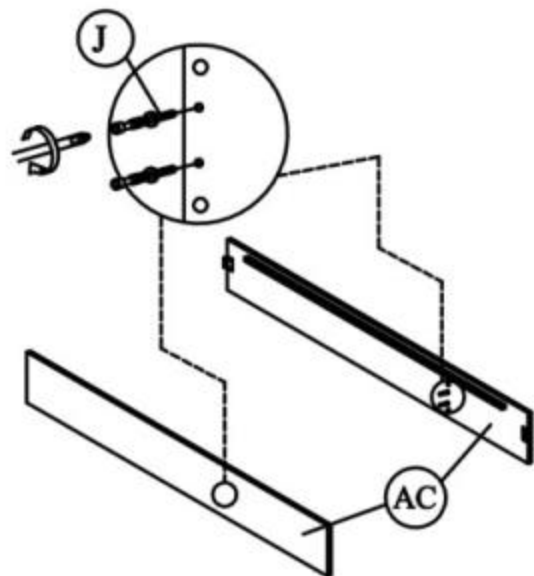
17



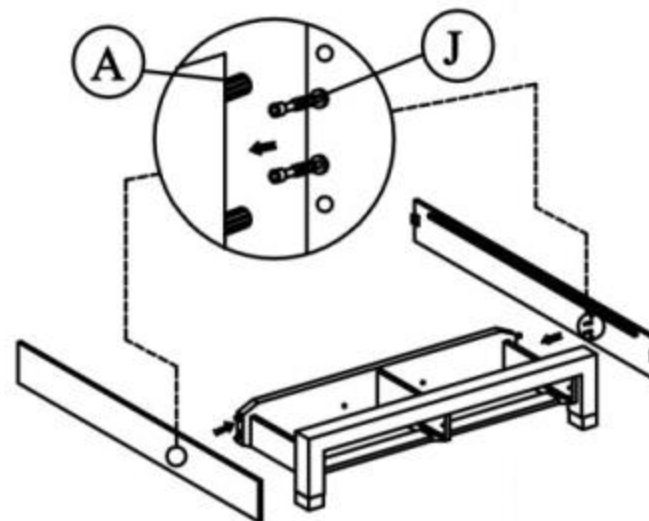
18



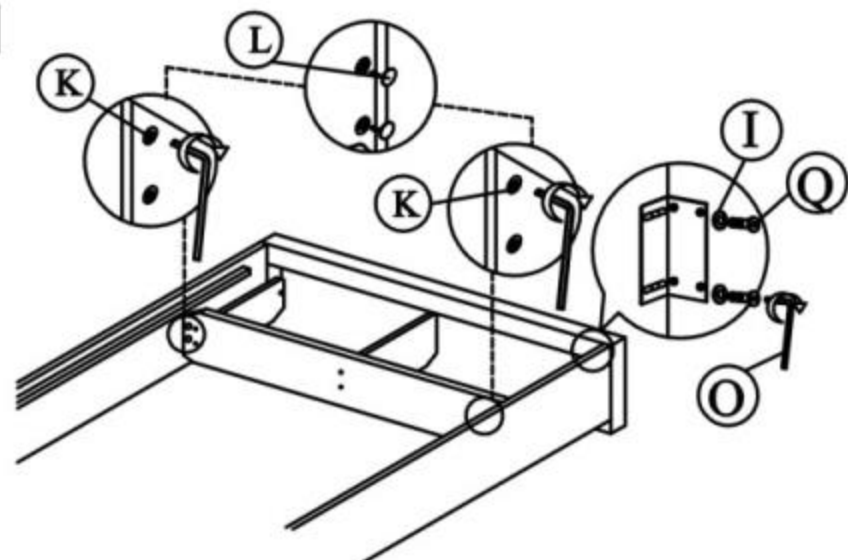
19



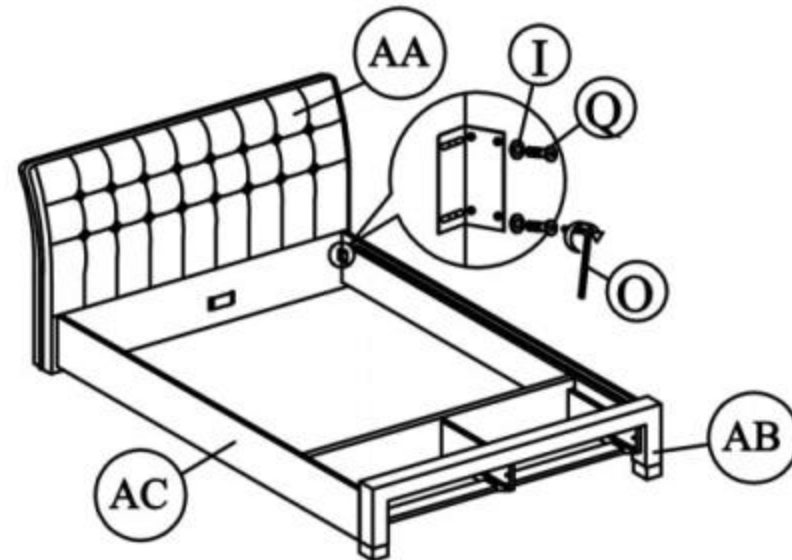
20



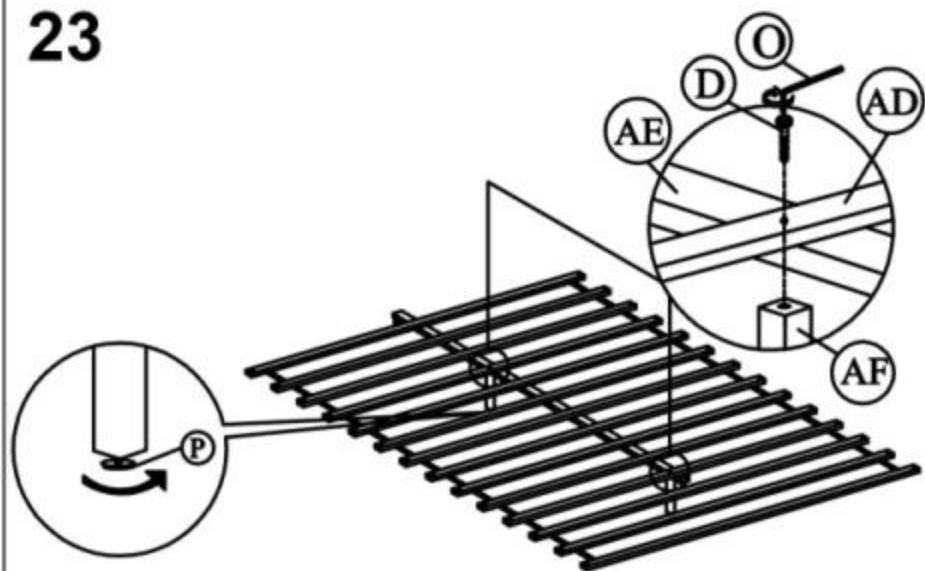
21



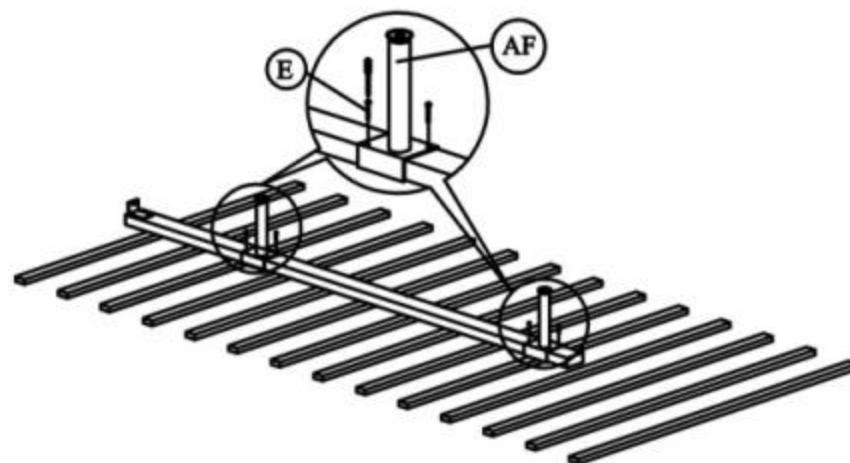
22



23



24



25

