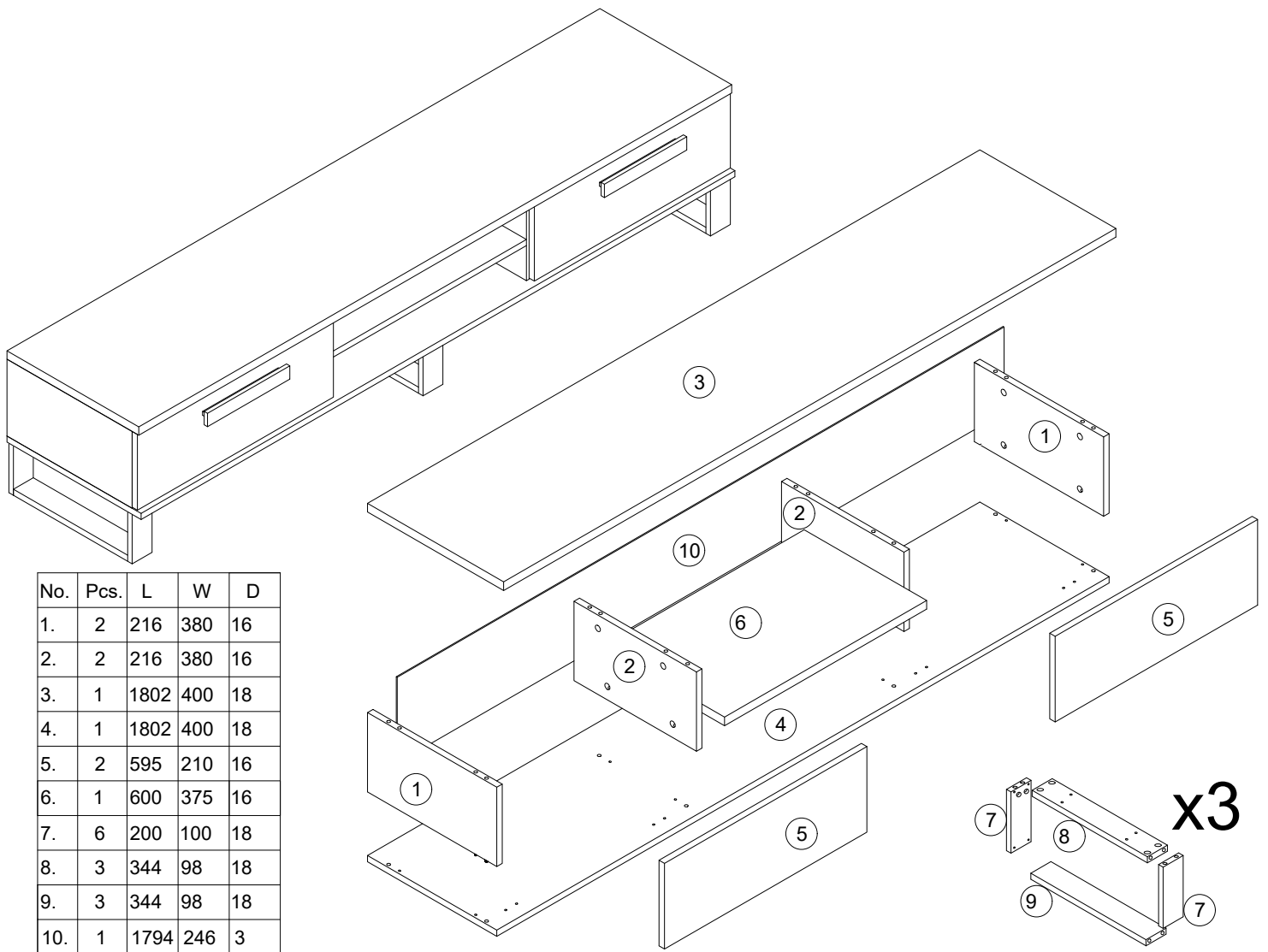
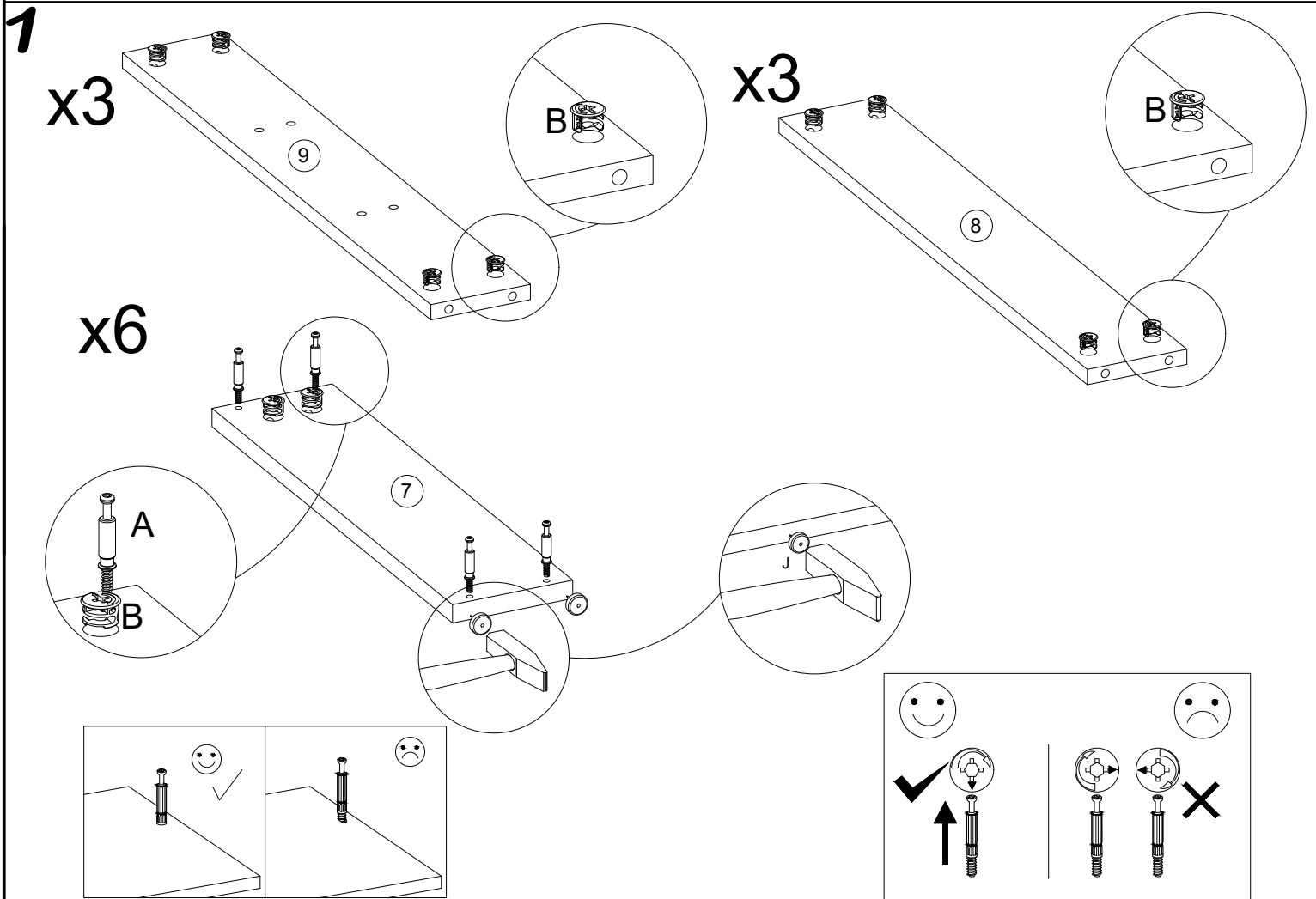


8.0x35  D 16 czarna	4.0x25  G 4 kraft złoty	 A 52 czarna	 B 52	3.5x16  H 8	 O1 12	 Z1 4	 L 4	 J 12
 X 36	 X 16	 X1 12	 T 20	 F 2	 S 4	 Q 1		



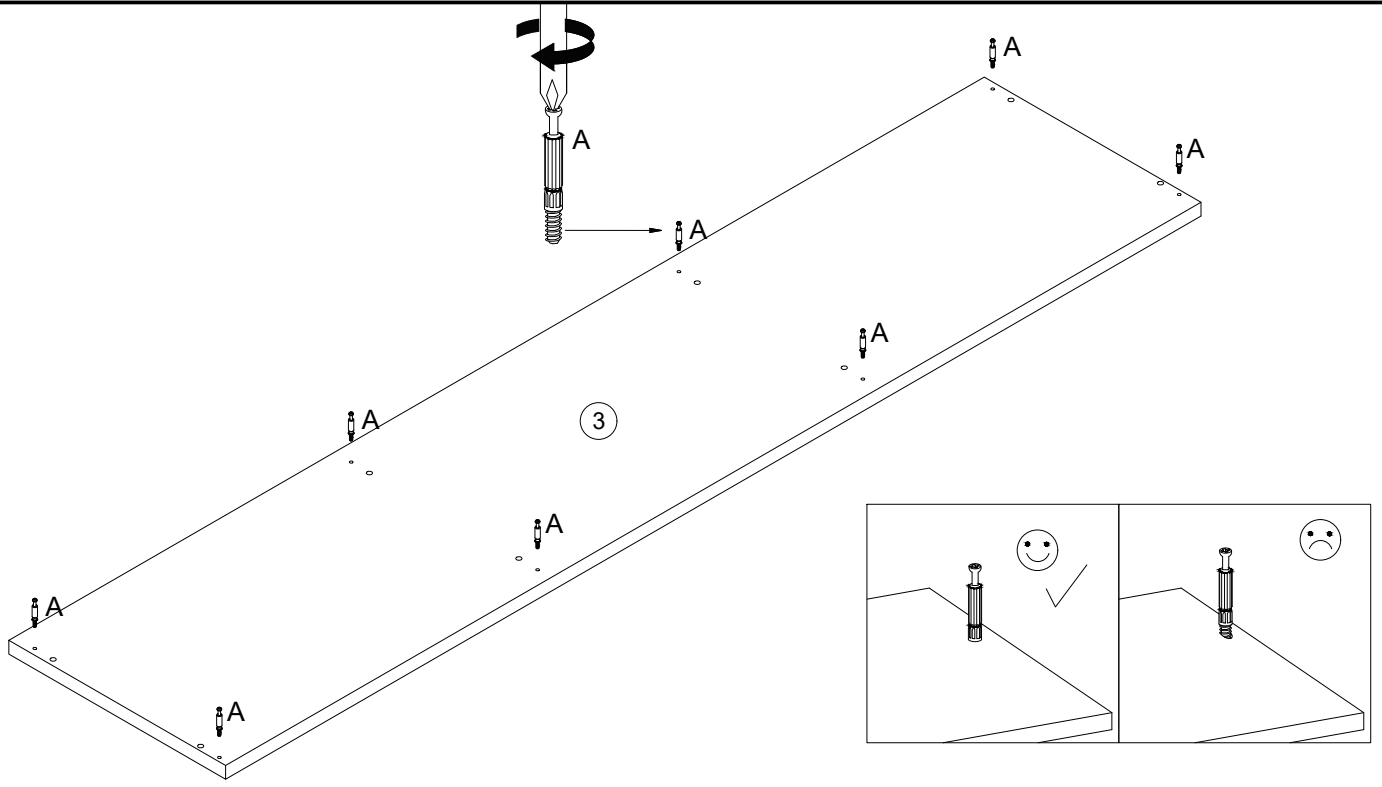


No.	Pcs.	L	W	D
1.	2	216	380	16
2.	2	216	380	16
3.	1	1802	400	18
4.	1	1802	400	18
5.	2	595	210	16
6.	1	600	375	16
7.	6	200	100	18
8.	3	344	98	18
9.	3	344	98	18
10.	1	1794	246	3

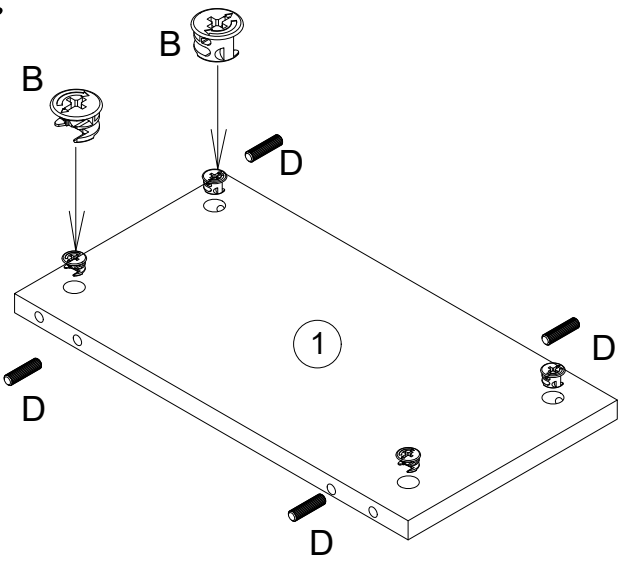




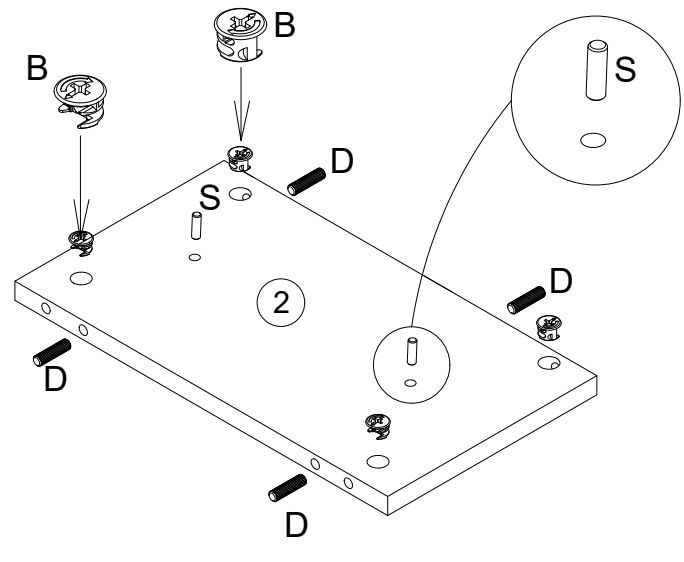
4



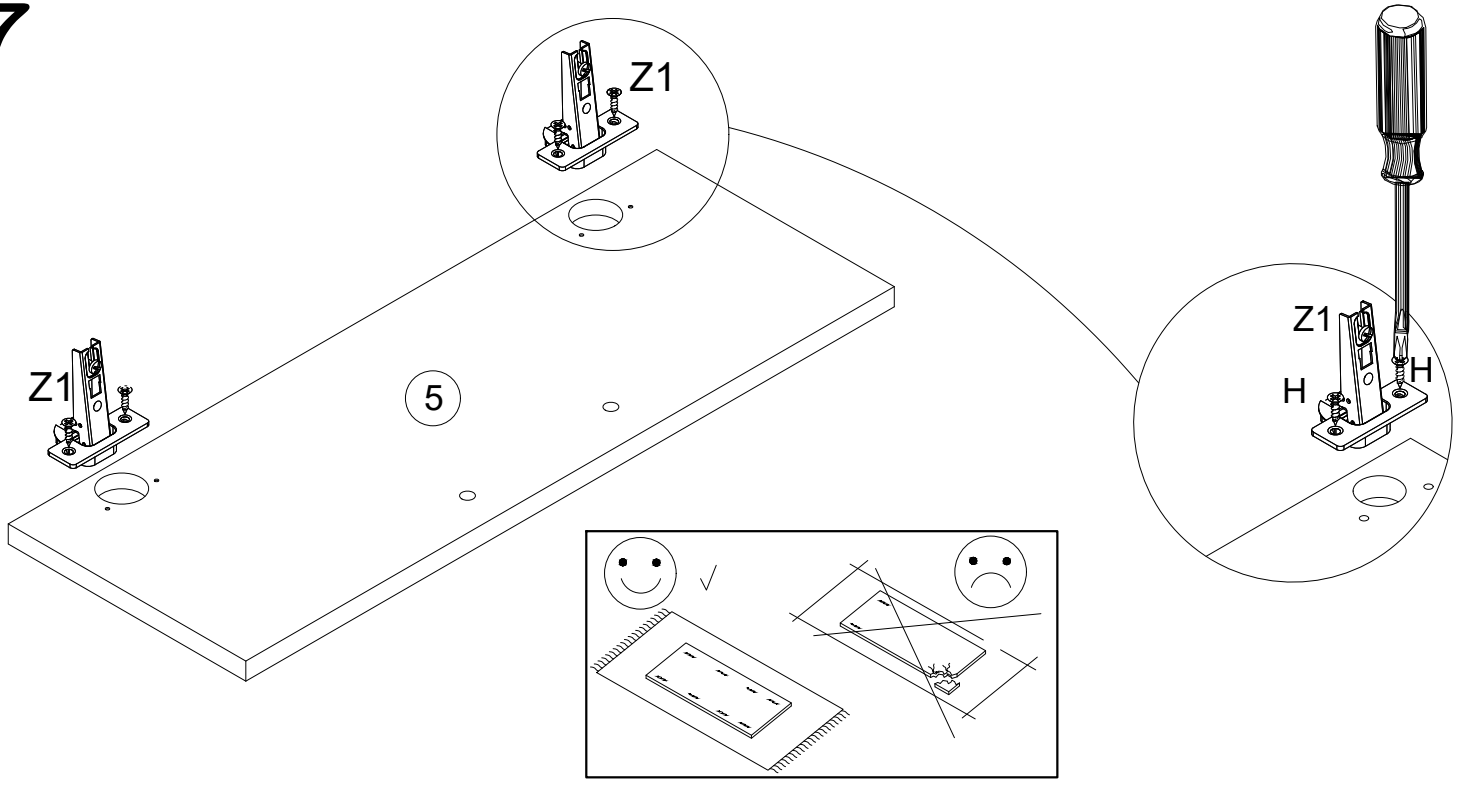
5



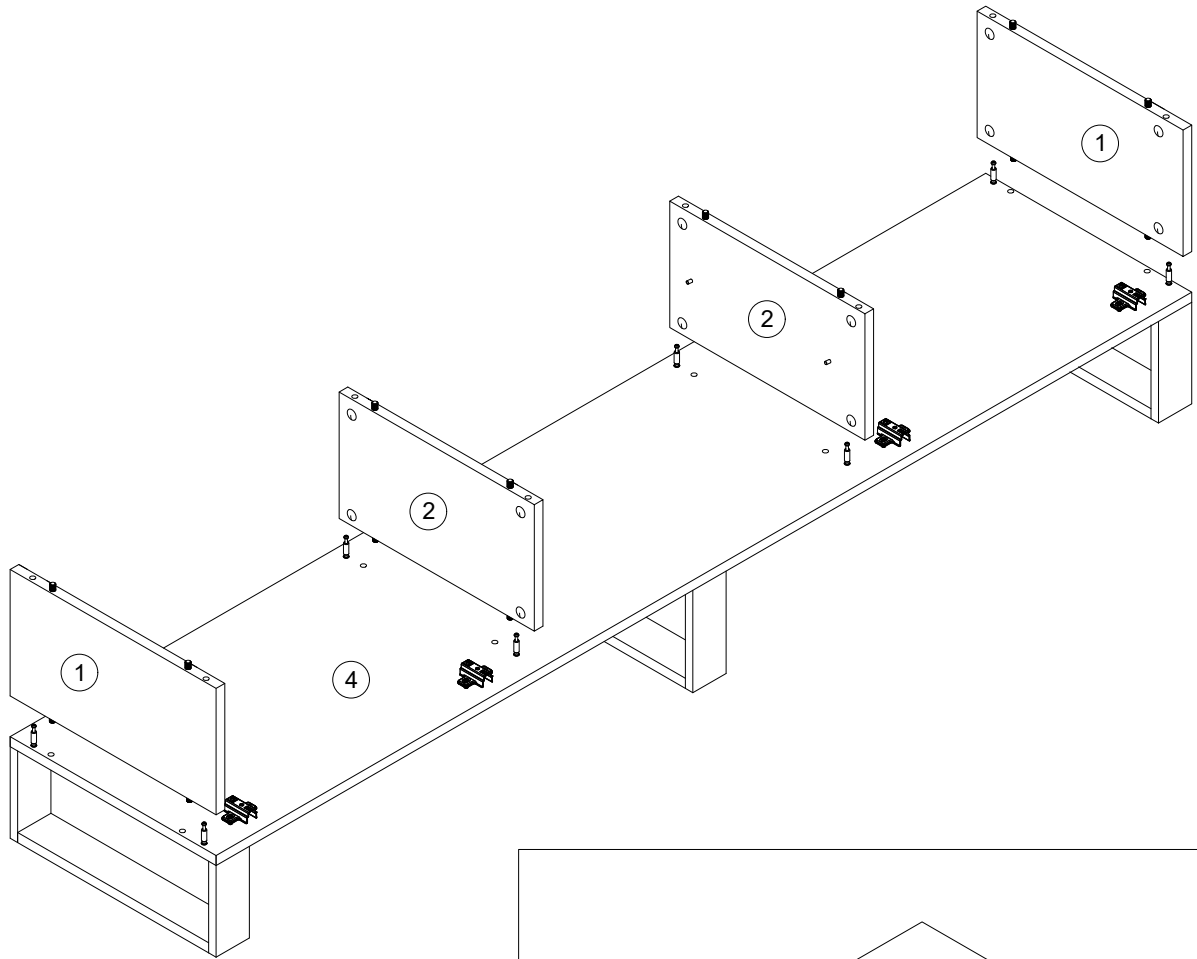
6



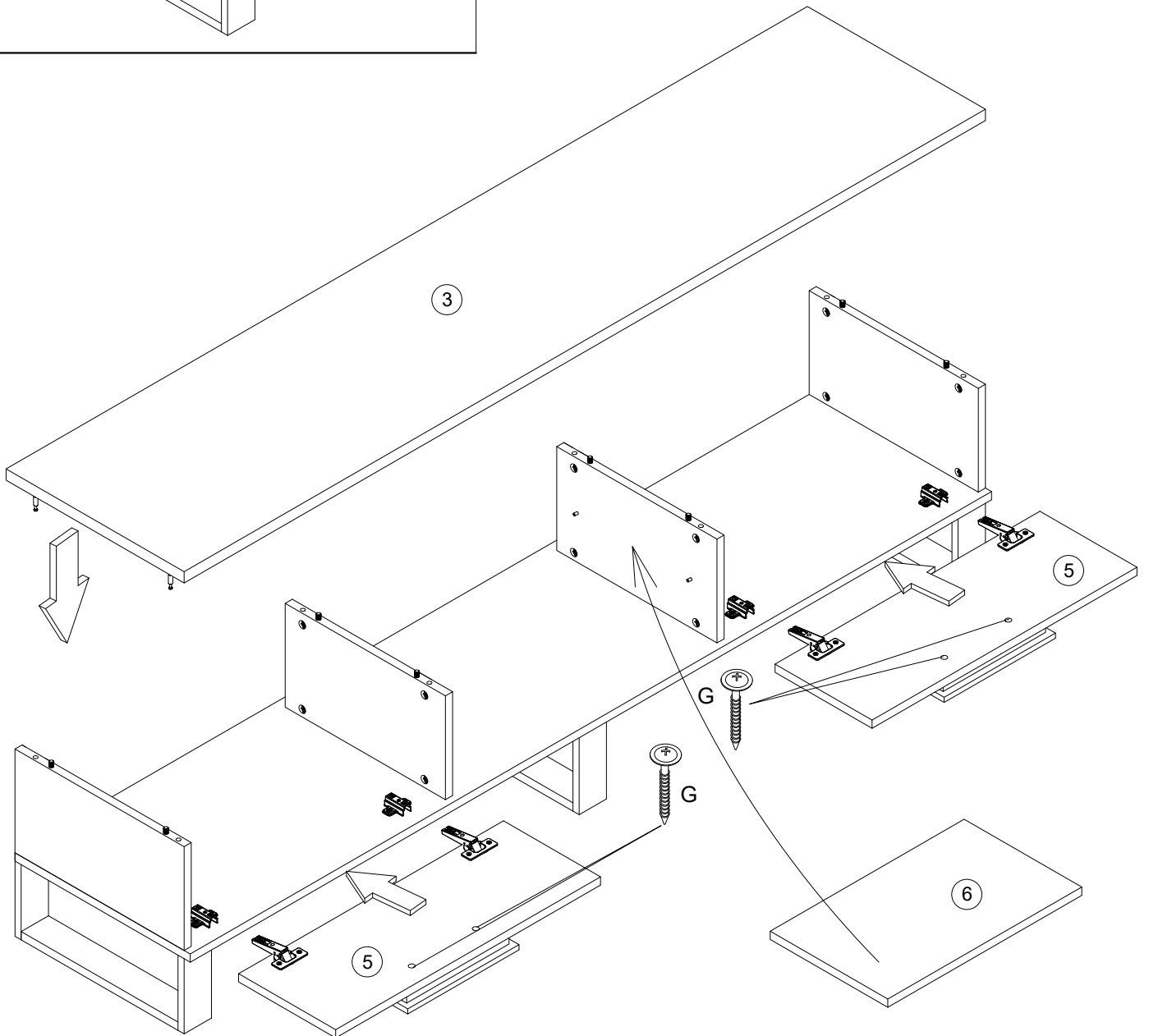
7



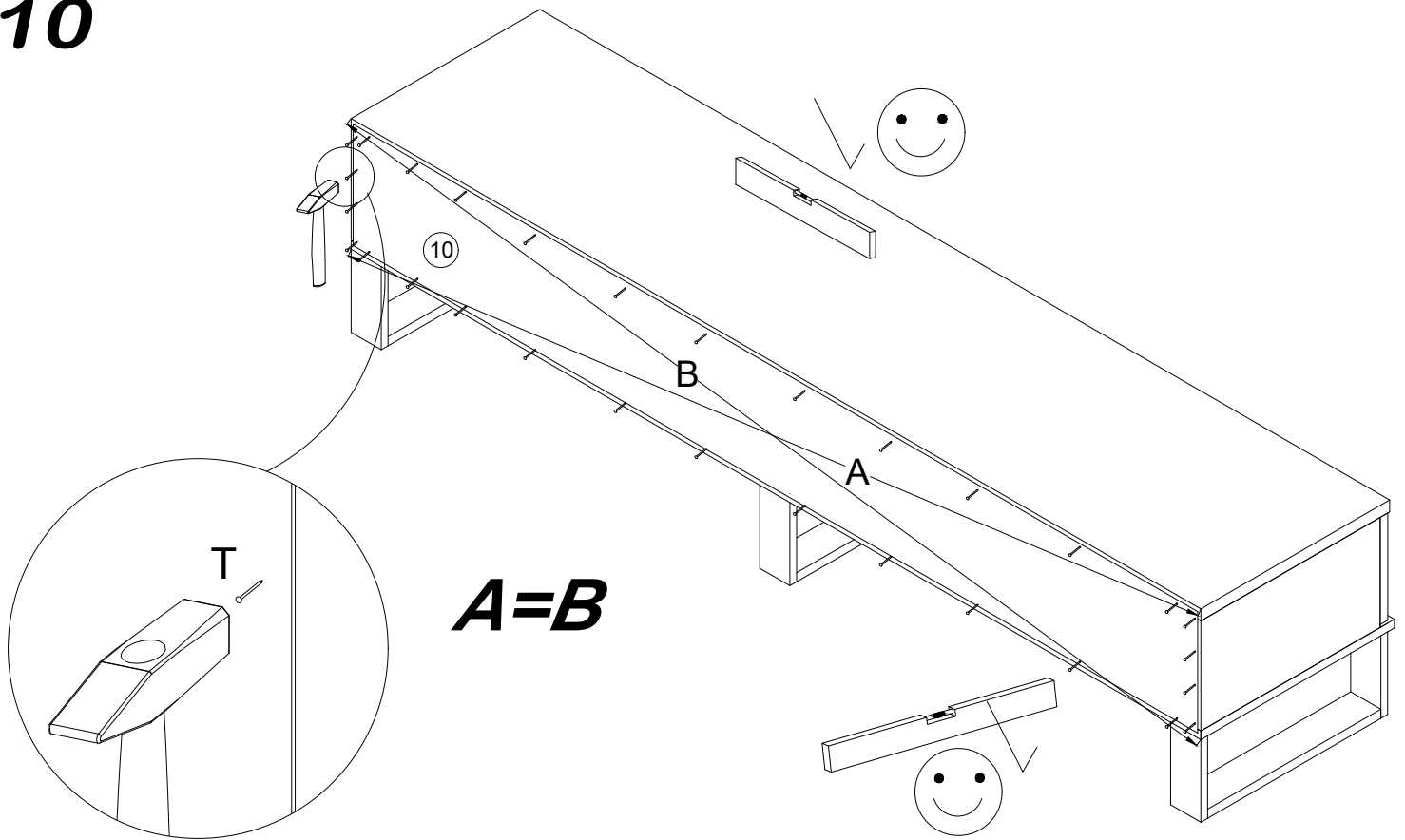
8



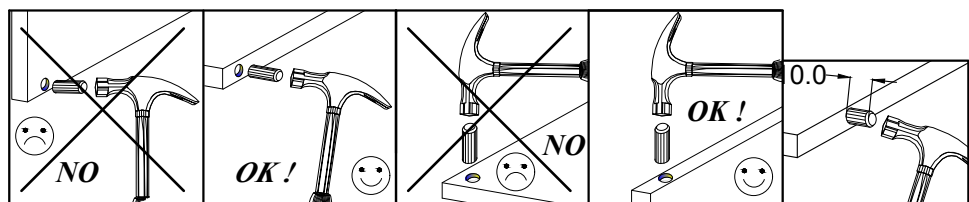
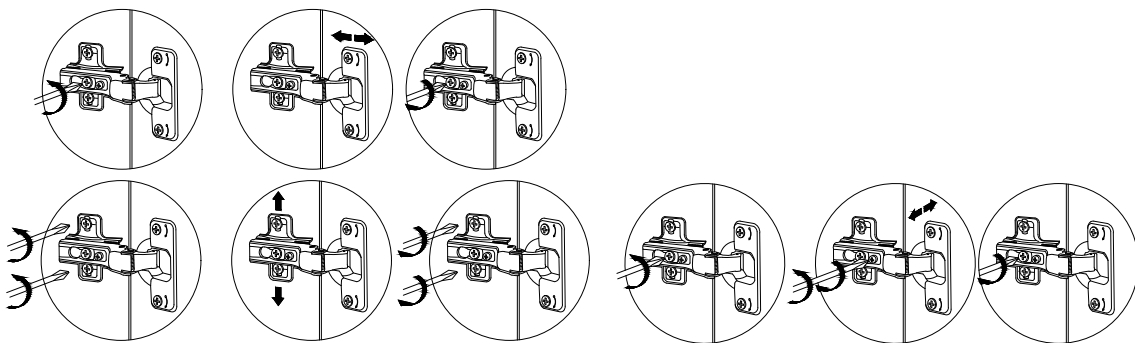
9

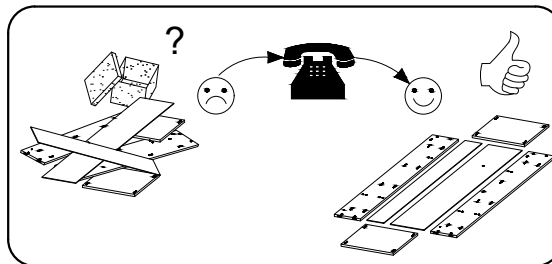
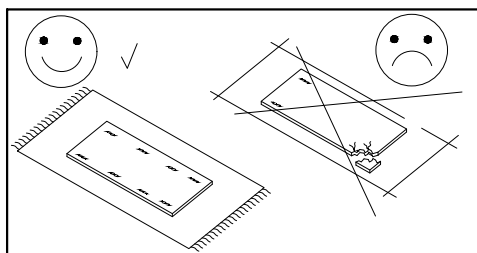
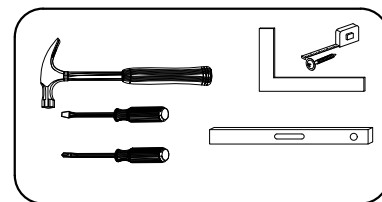
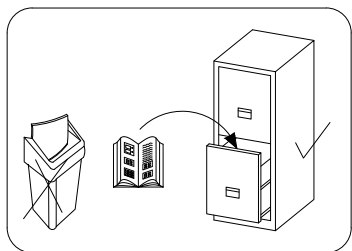
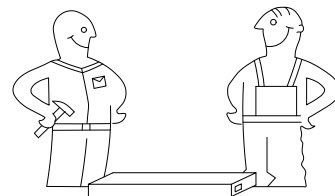


# 10

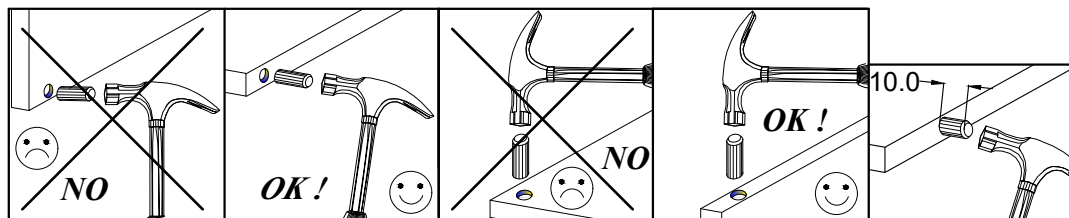


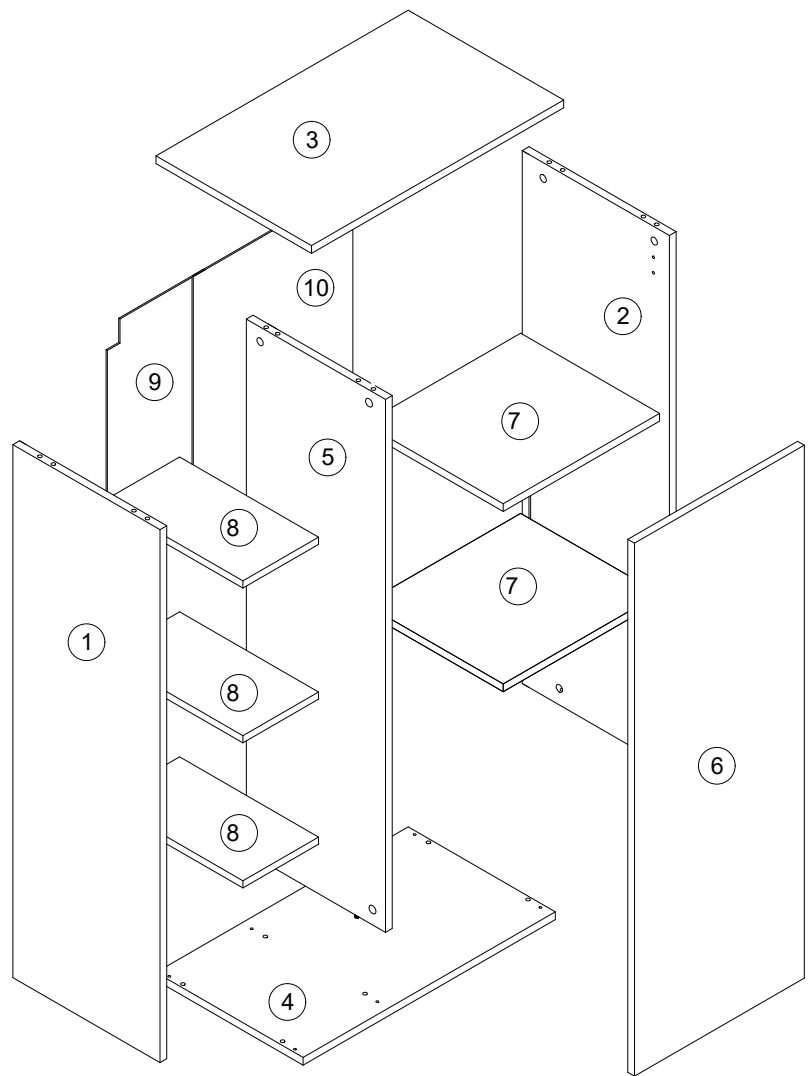
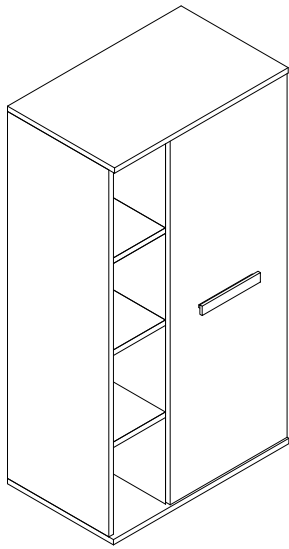
**A=B**





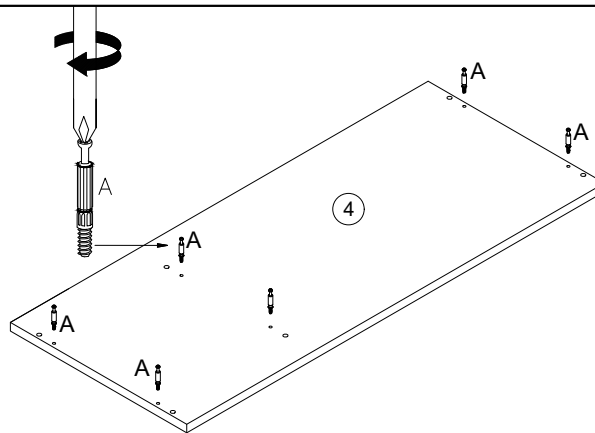
8.0x35  D 12	4.0x25  G 2	 A 12	Ø-15x12  B 12	3.5x16  H 4	 Z 2	 L 2	 T1 6
kraft złoty  X 12	 F 1	 L P W 1	 T 30	 S 20	4.0x30  P2 4	 BL 2	





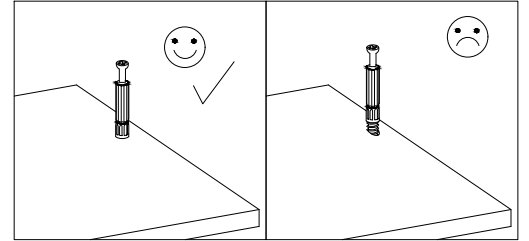
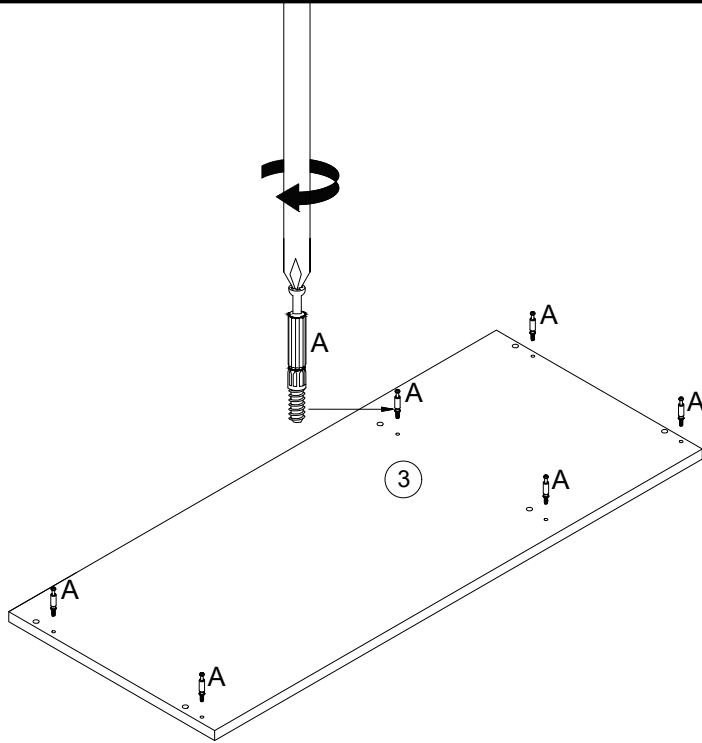
No.	Pcs.	L	W	D
1.	1	1100	280	16
2.	1	1100	280	16
3.	2	602	300	18
4.	1	602	300	18
5.	1	1100	280	16
6.	1	1094	395	16
7.	2	367	270	16
8.	3	183	270	16
9.	1	1130	204	3
10.	1	1130	387	3

1

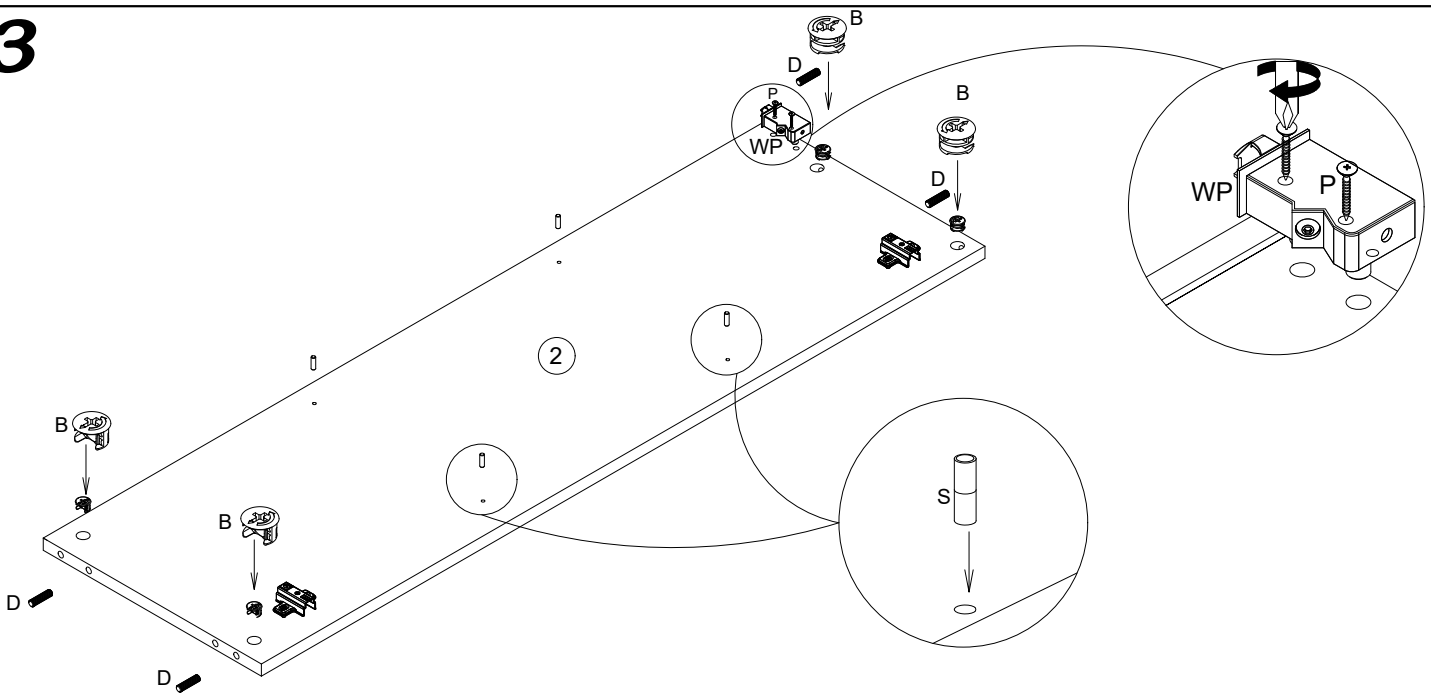




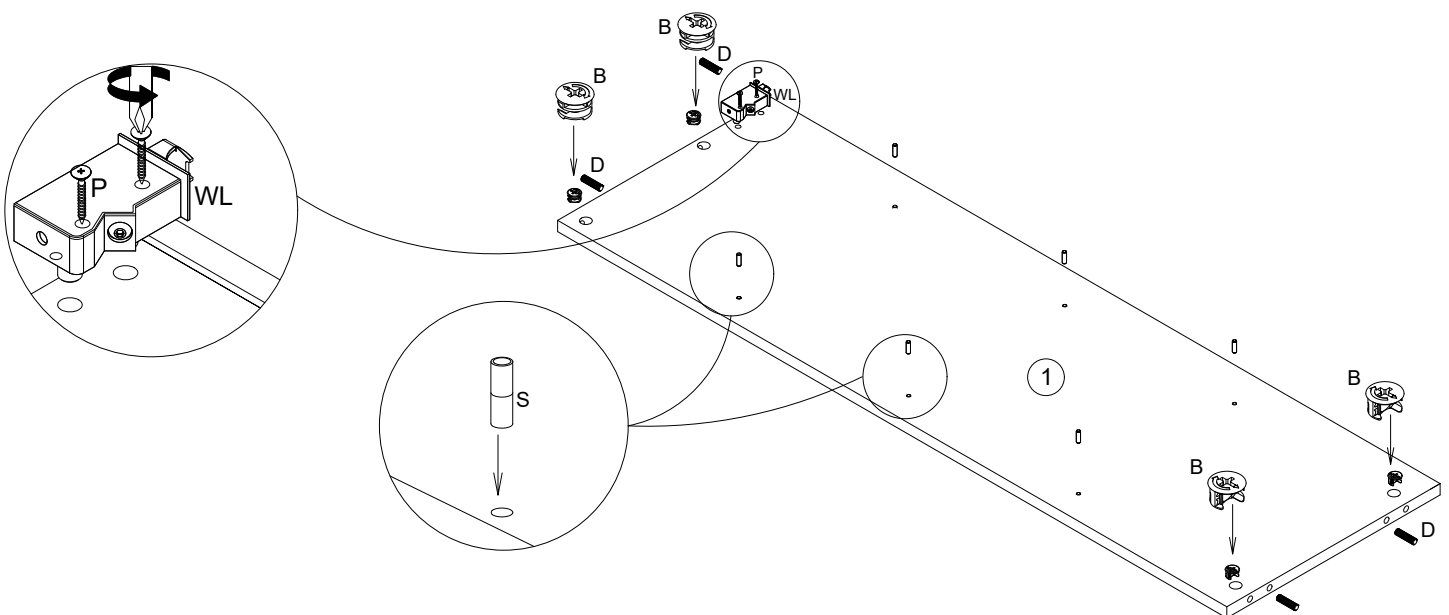
# 2



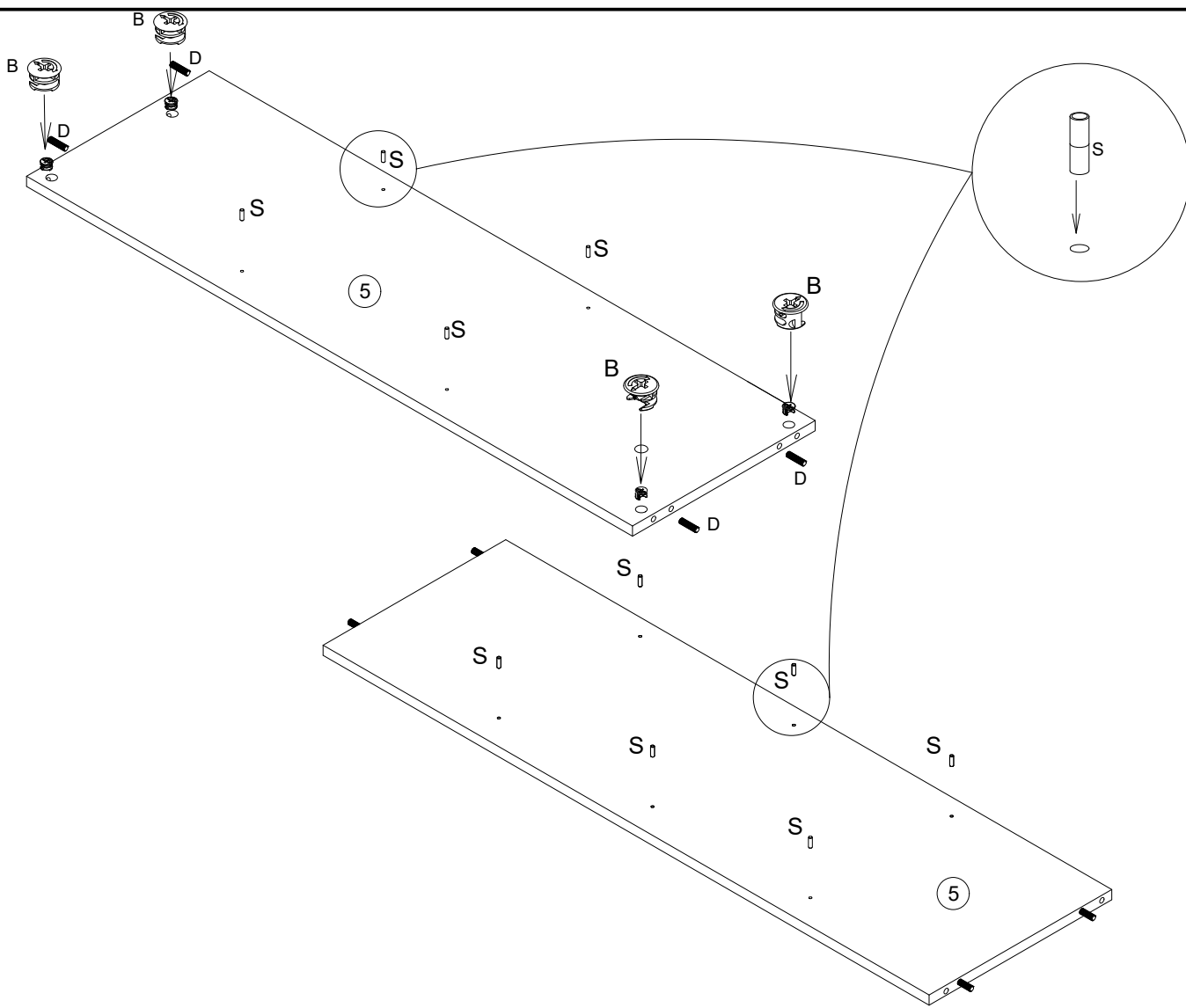
# 3



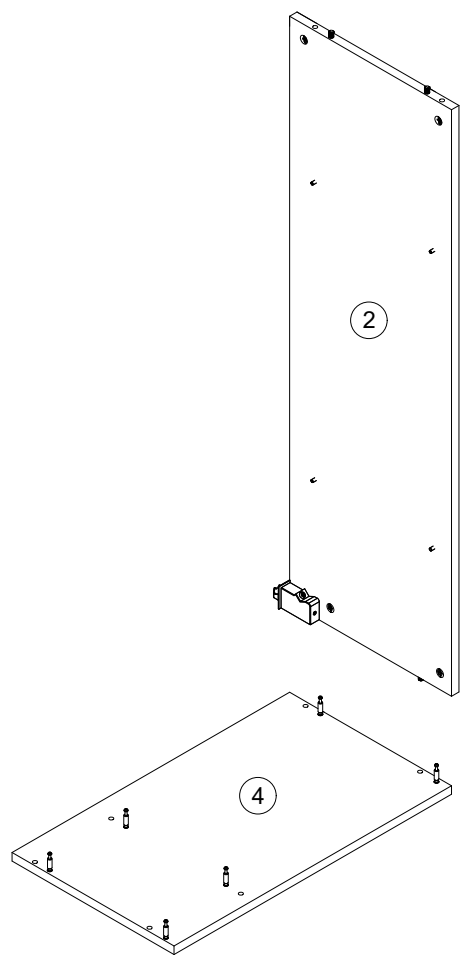
# 4



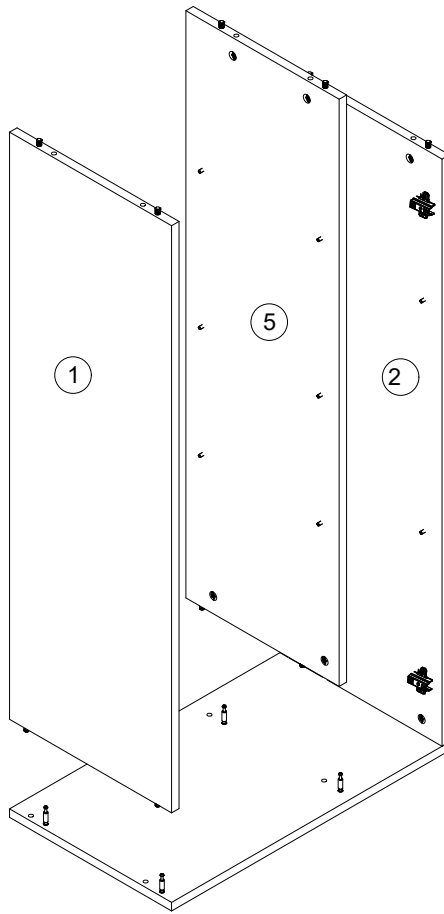
5



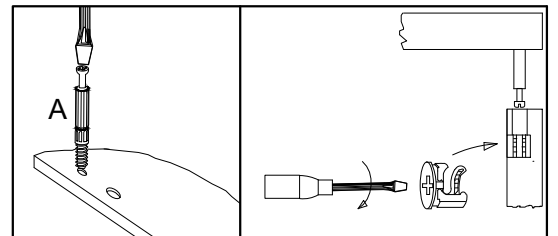
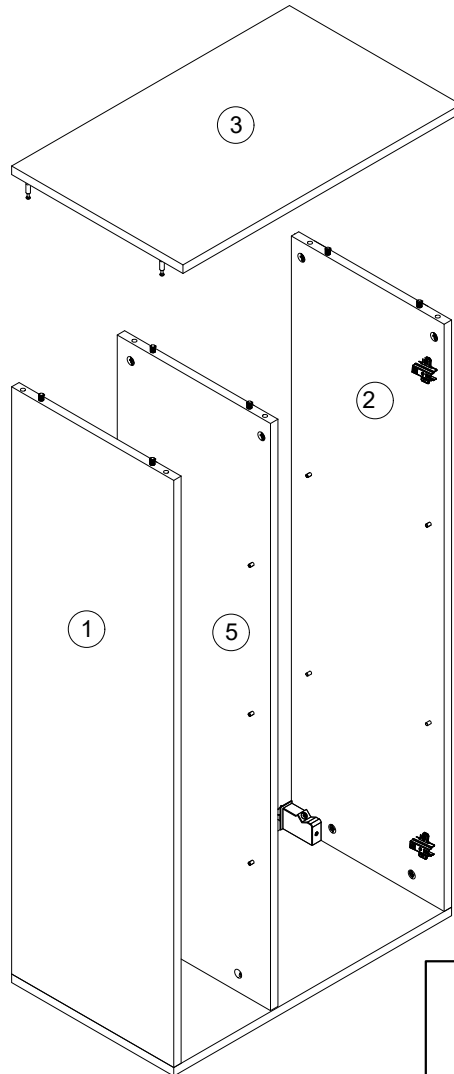
6



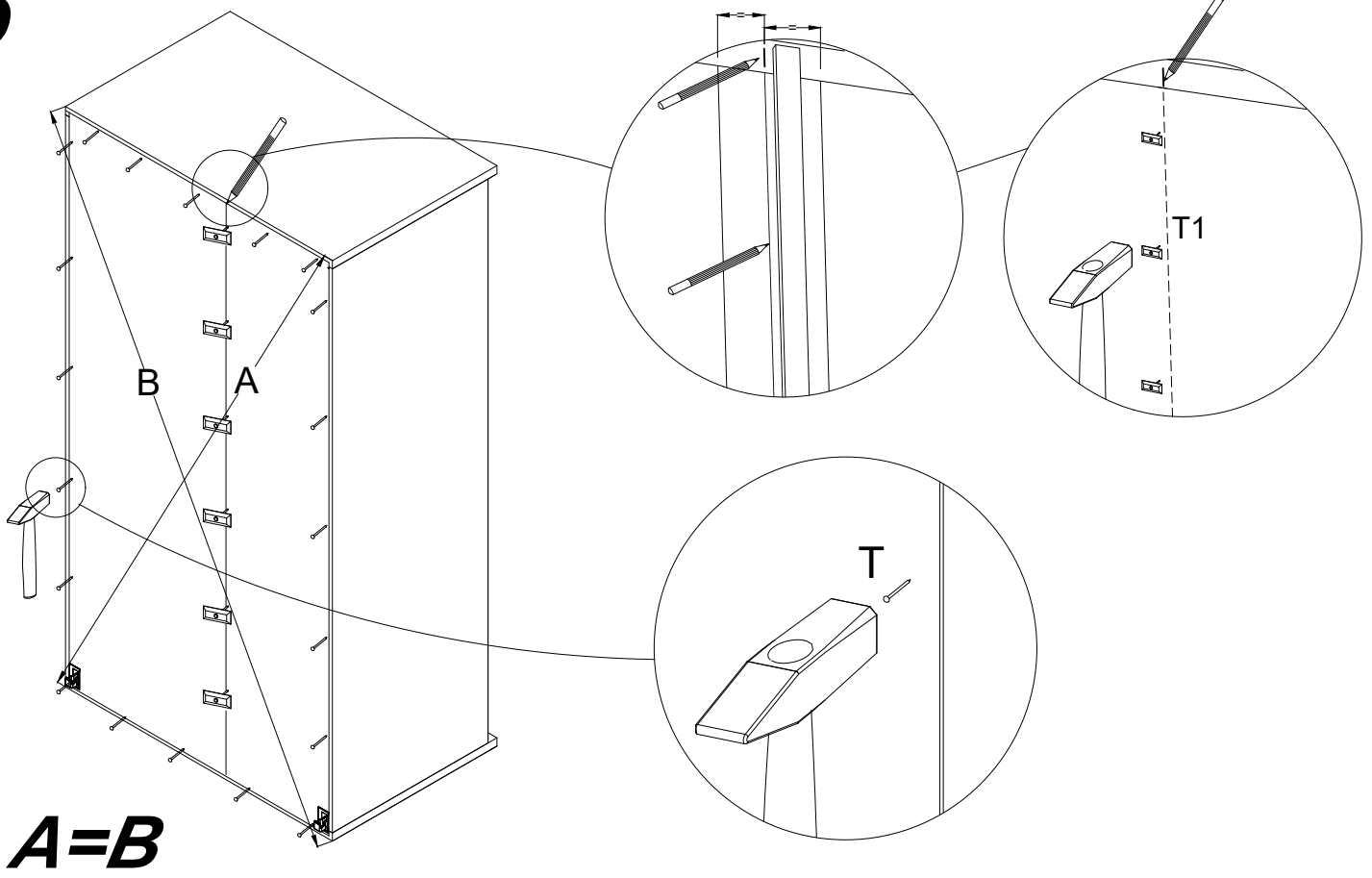
7



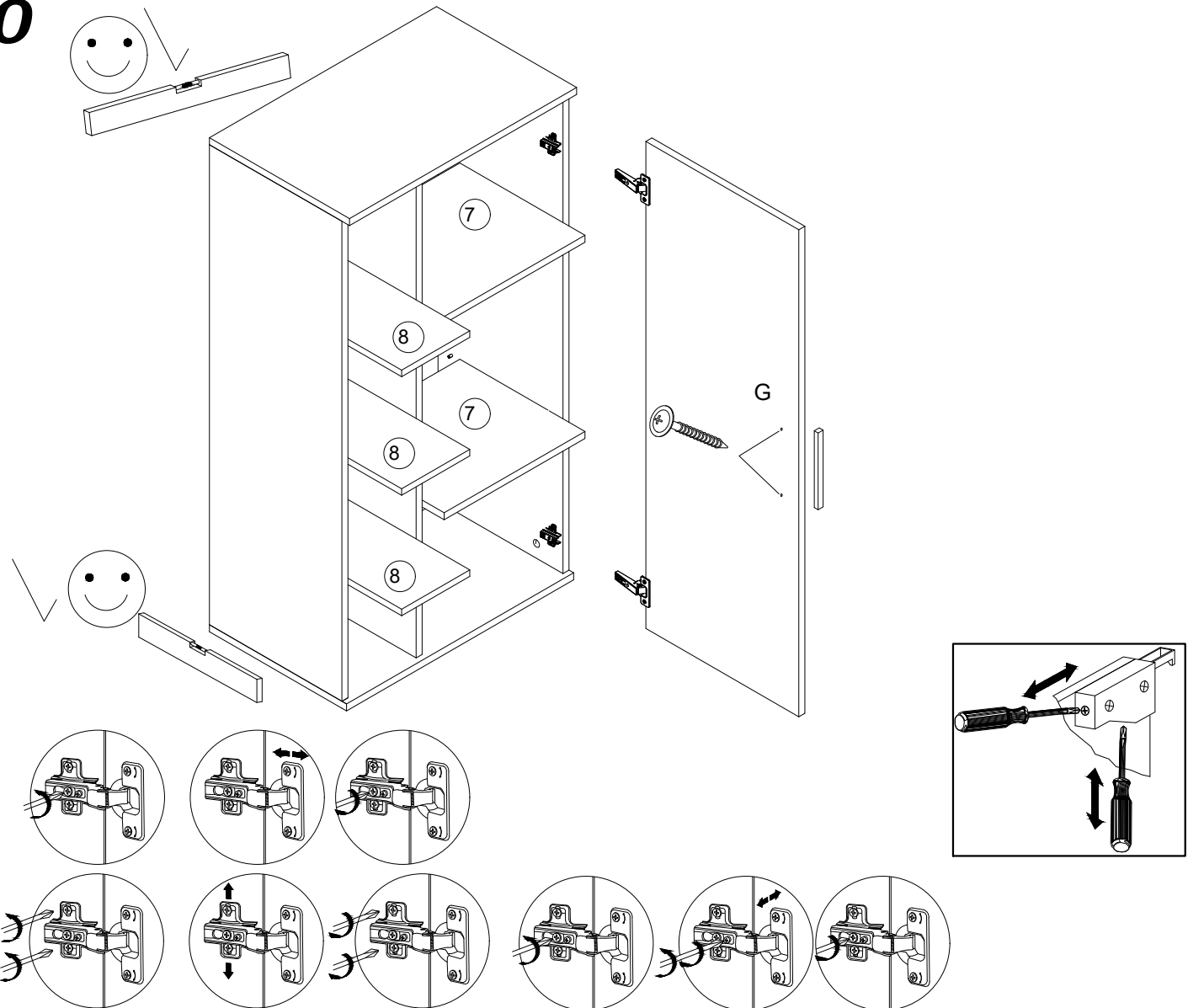
8

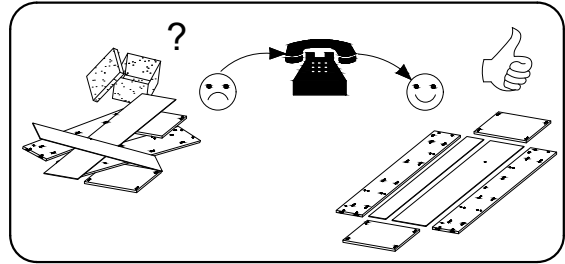
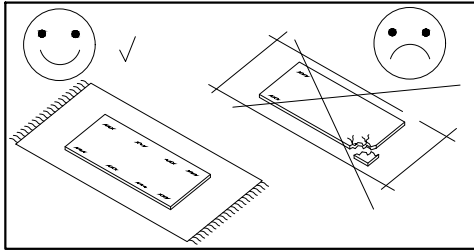
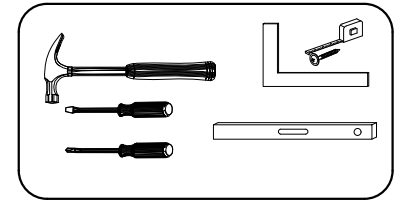
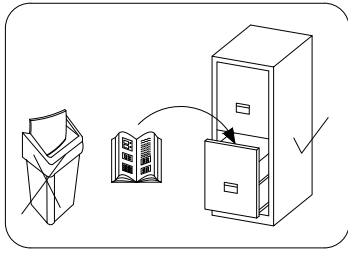
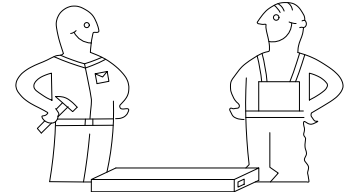


# 9

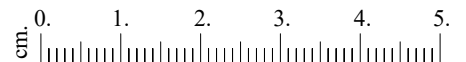
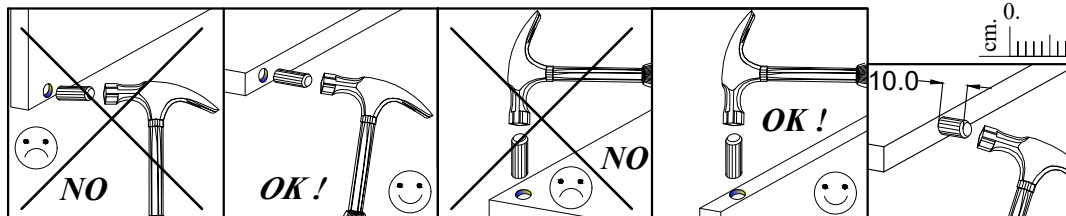


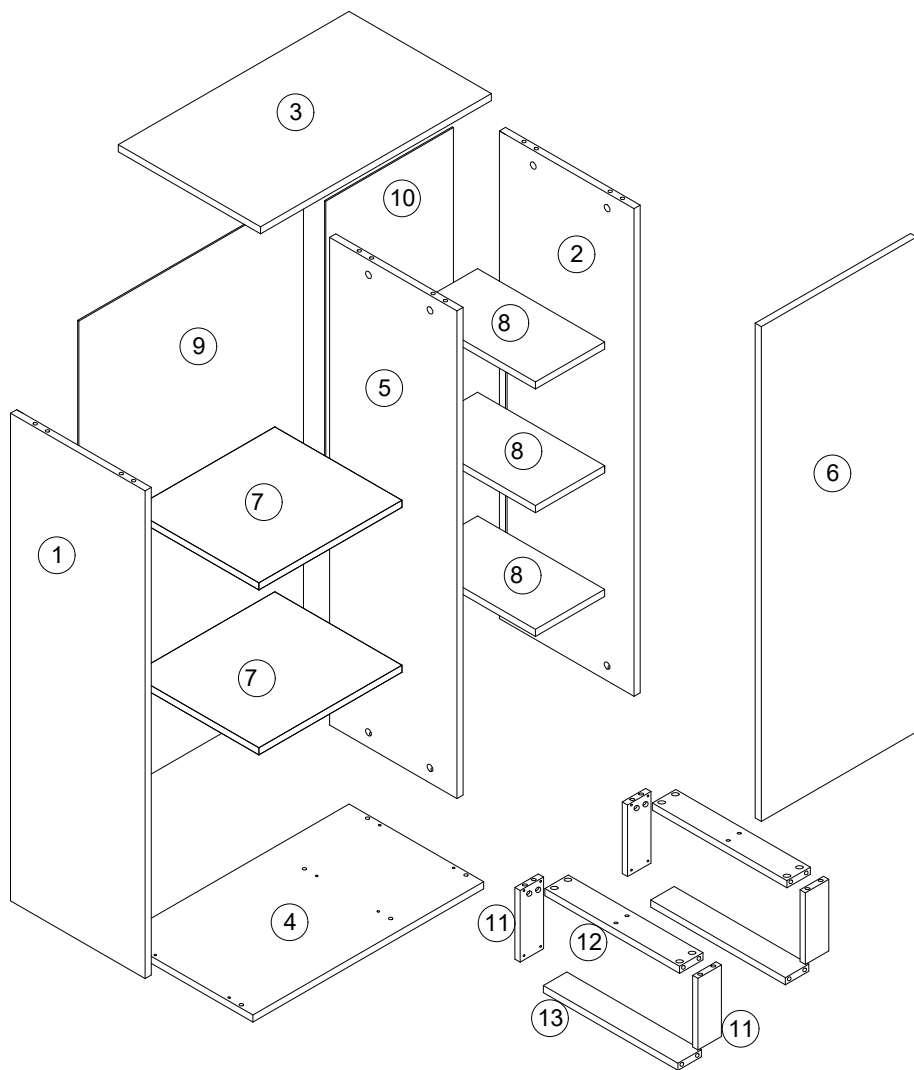
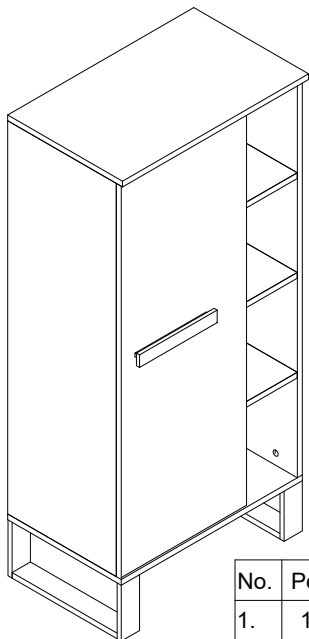
# 10





8.0x35  D 12 czarna	4.0x25  G 2 kraft złoty	 A 36 czarna	Ø-15x12  B 36	3.5x16  H 4	 T 30	 Z 2	 L 2	 T1 6	 J 8	Ø7.0x30  O1 4
 X 24	 X 12	 X1 6	 F 1	 Q 1	 S 20	 MS 1				

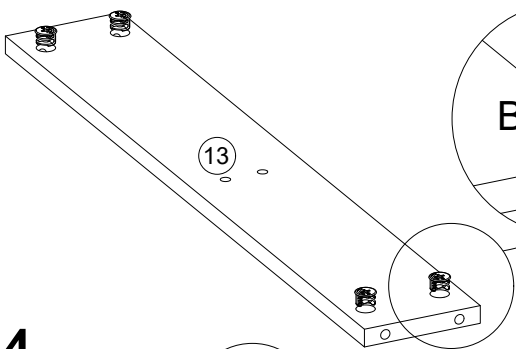




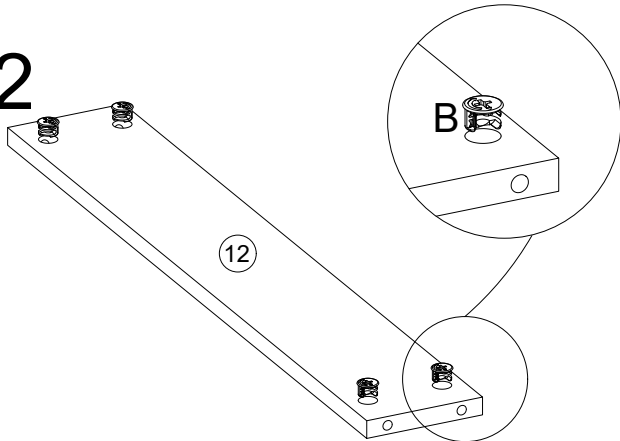
No.	Pcs.	L	W	D
1.	1	1100	330	16
2.	1	1100	330	16
3.	1	602	350	18
4.	1	602	350	18
5.	1	1100	330	16
6.	1	1094	395	16
7.	2	367	300	16
8.	3	183	320	16
9.	1	1130	387	3
10.	1	1130	204	3
11.	4	200	100	16
12.	2	294	98	18
13.	2	294	98	18

1

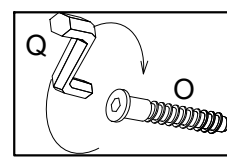
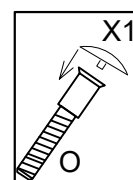
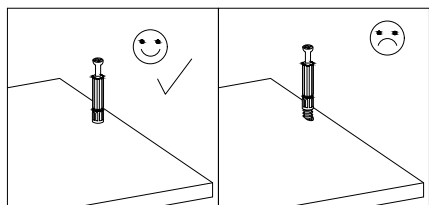
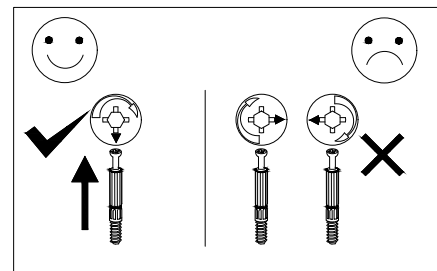
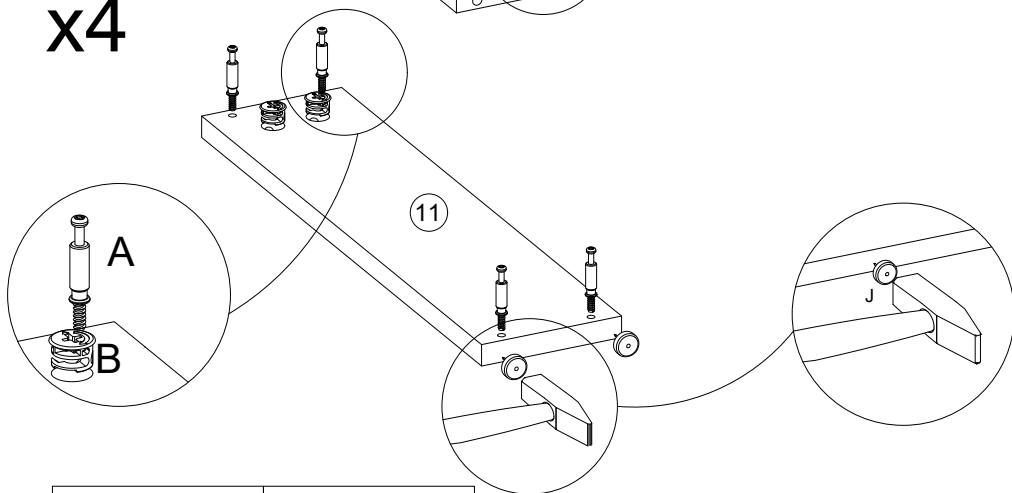
x2



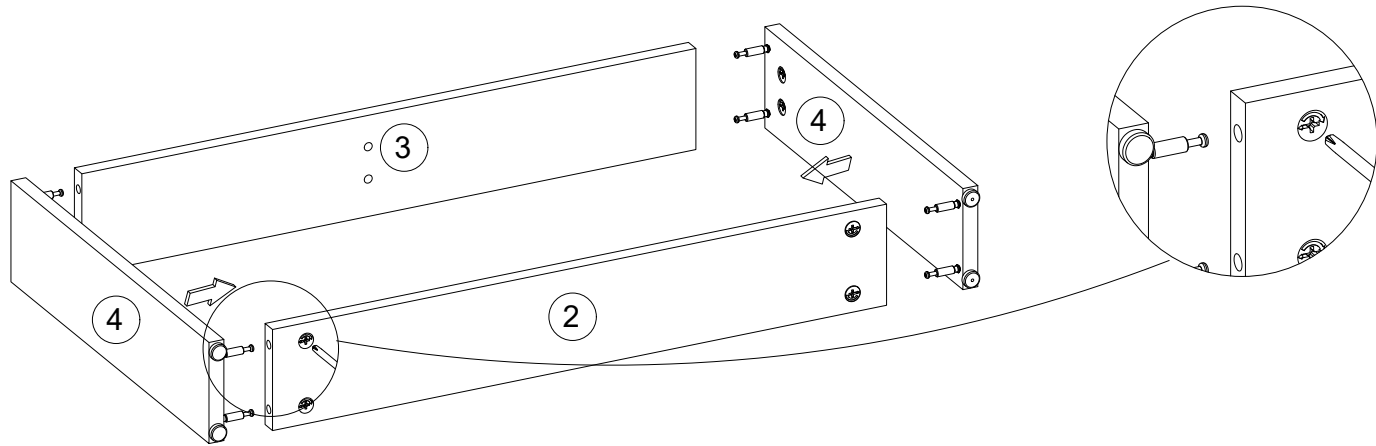
x2



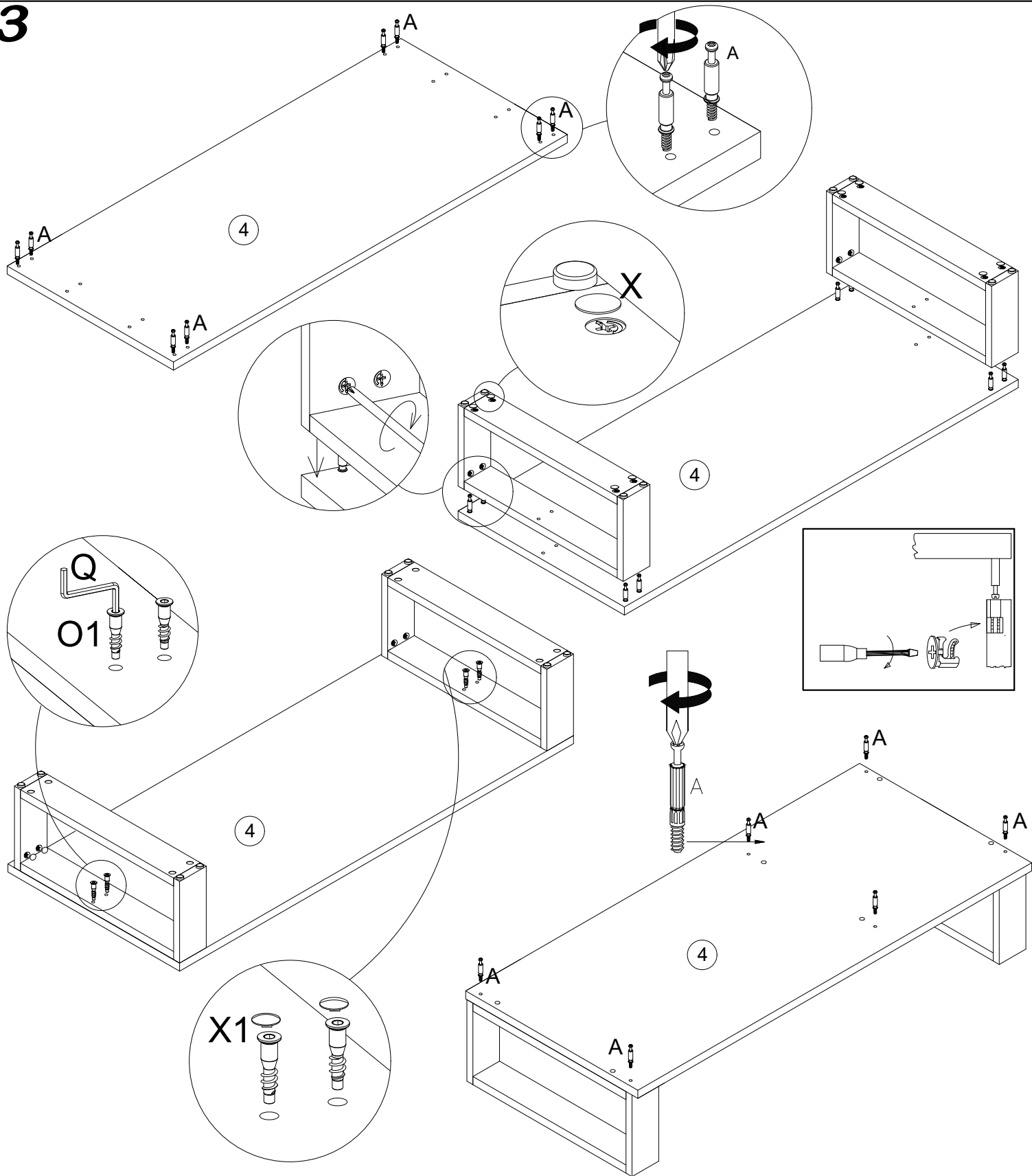
x4



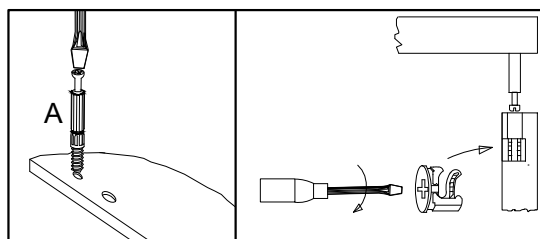
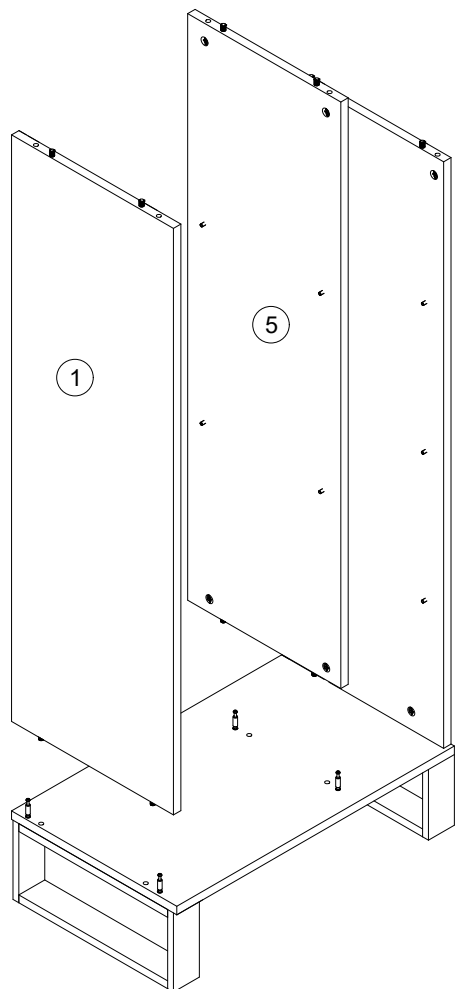
2



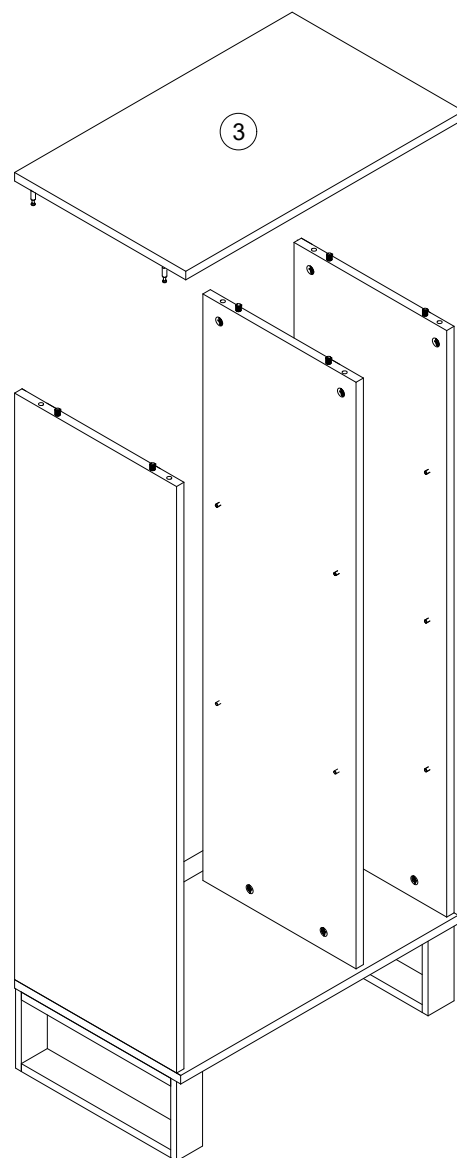
3



9

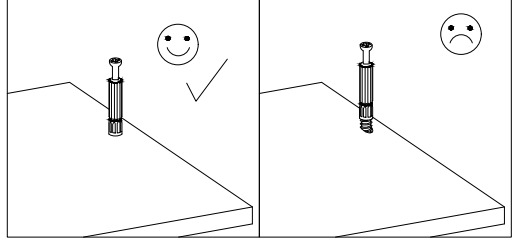
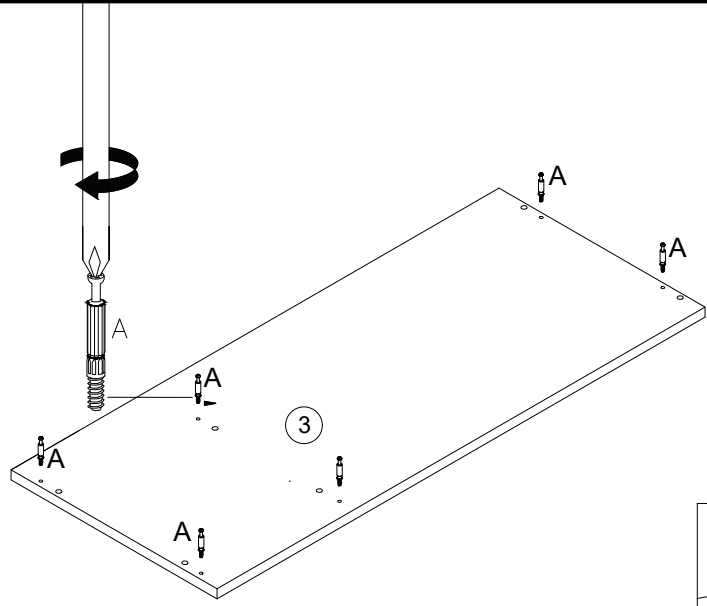


10

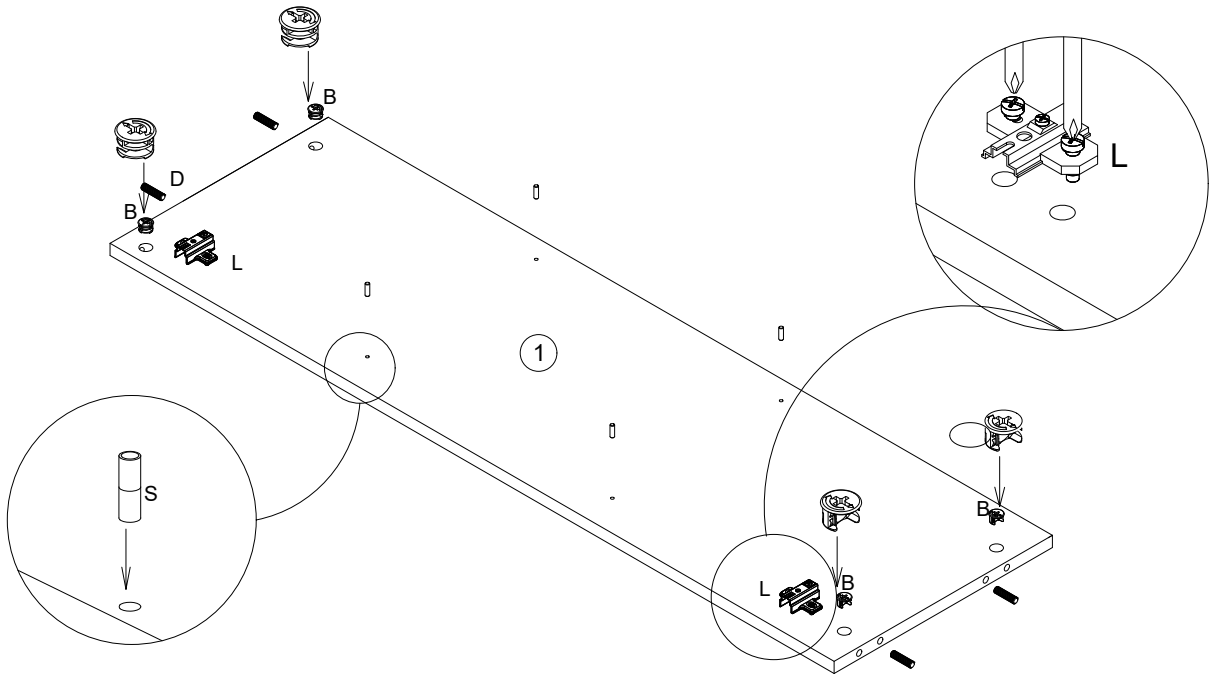




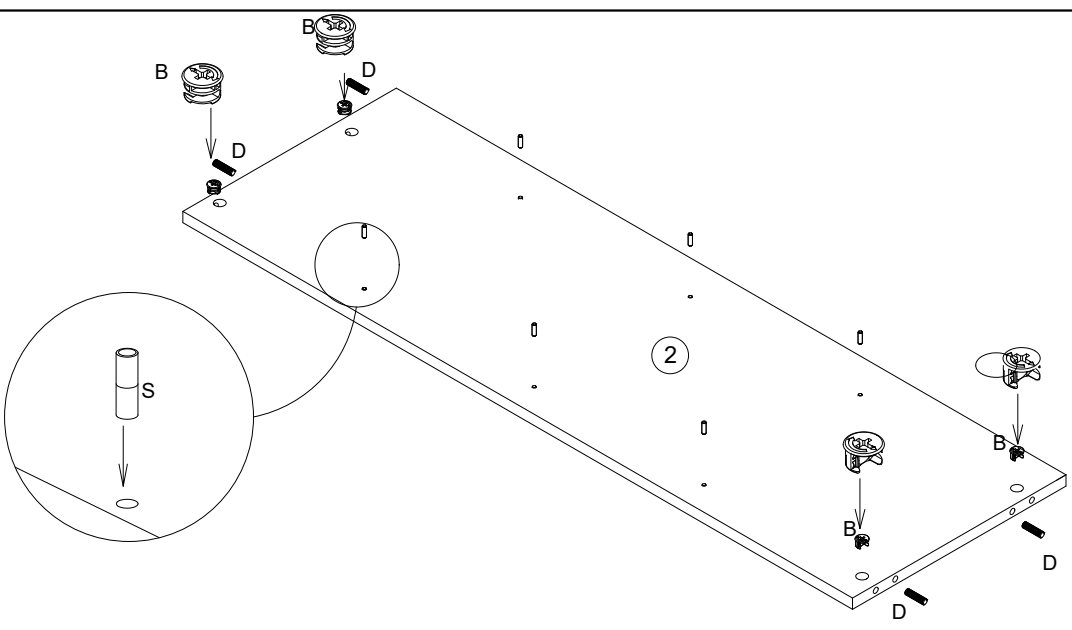
4



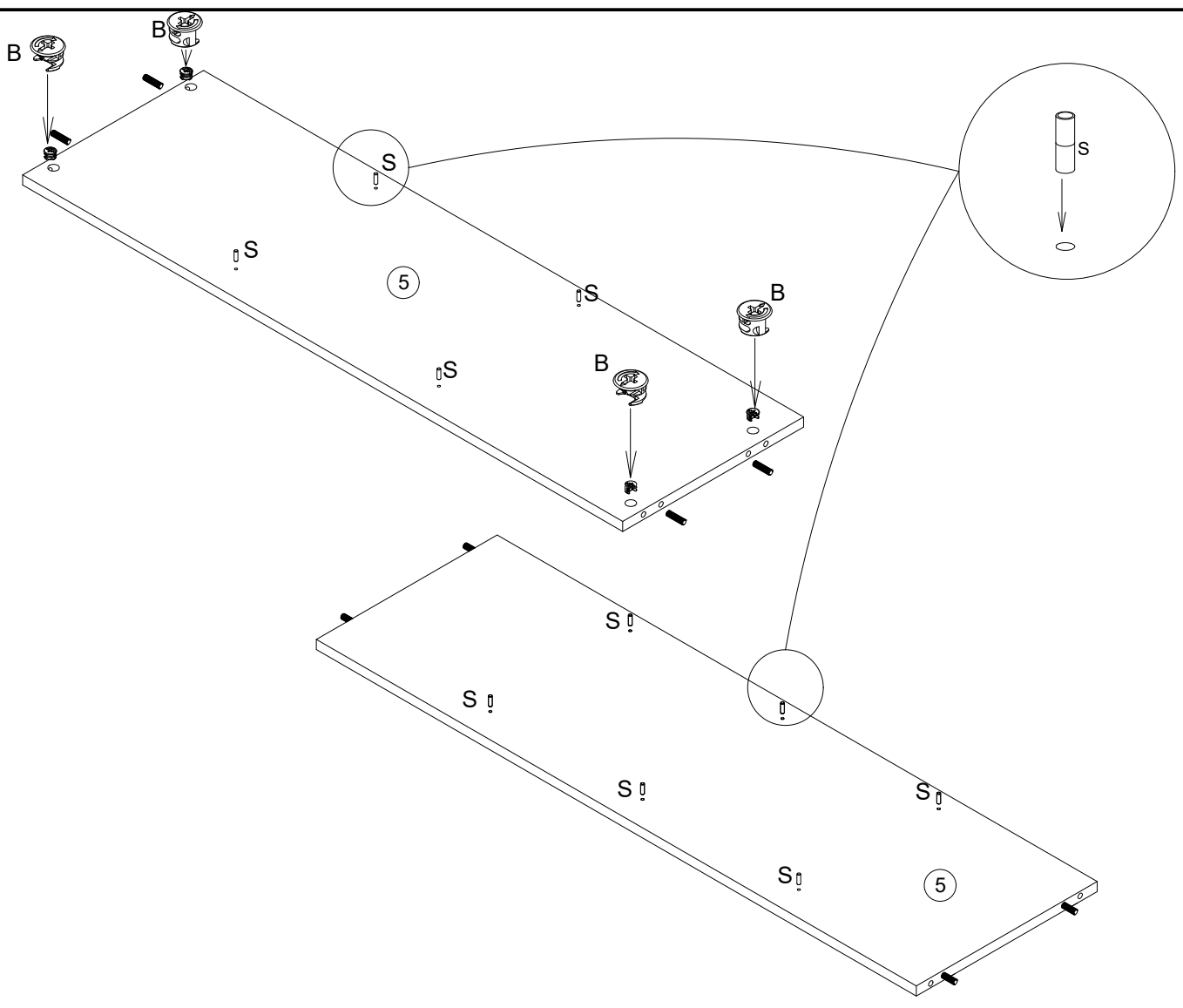
5



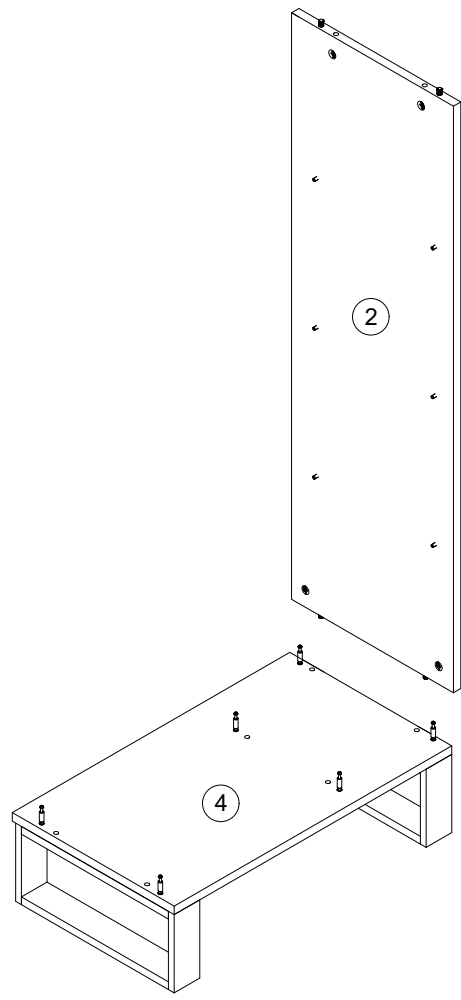
6



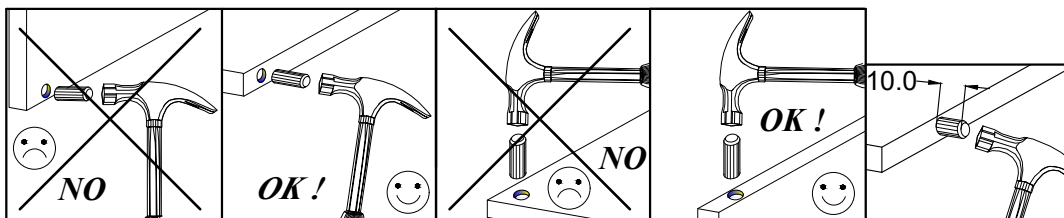
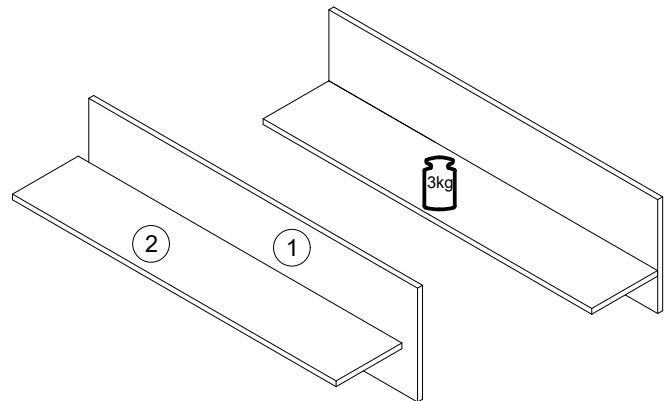
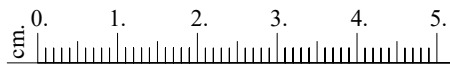
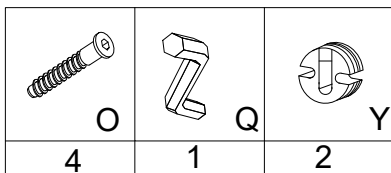
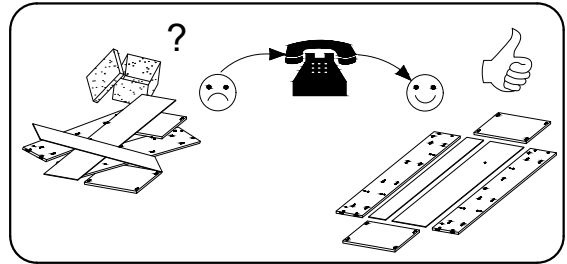
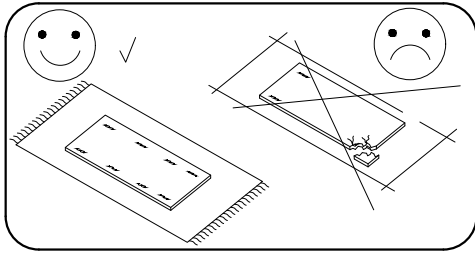
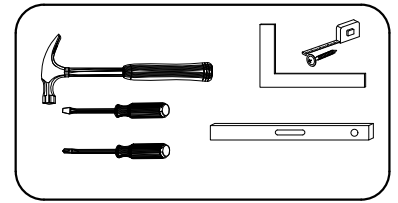
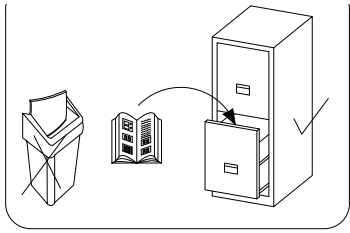
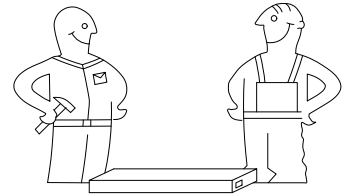
7



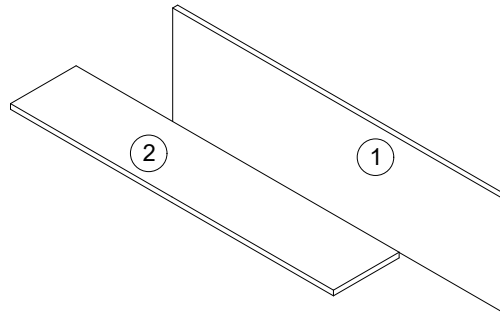
8



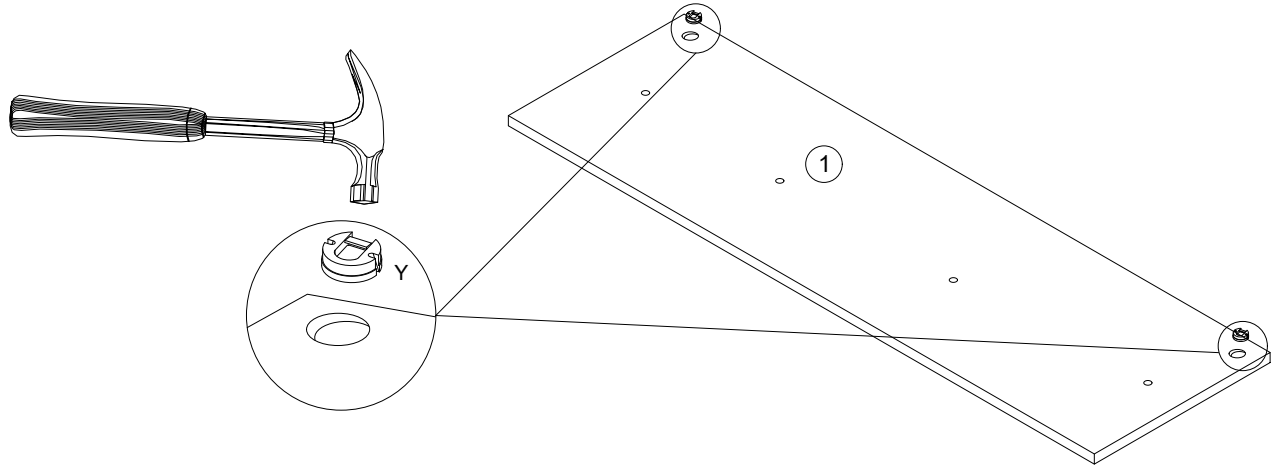




No.	Pcs.	L	W	D
1.	1	1000	120	16
2.	1	995	200	18



**1**



**2**

