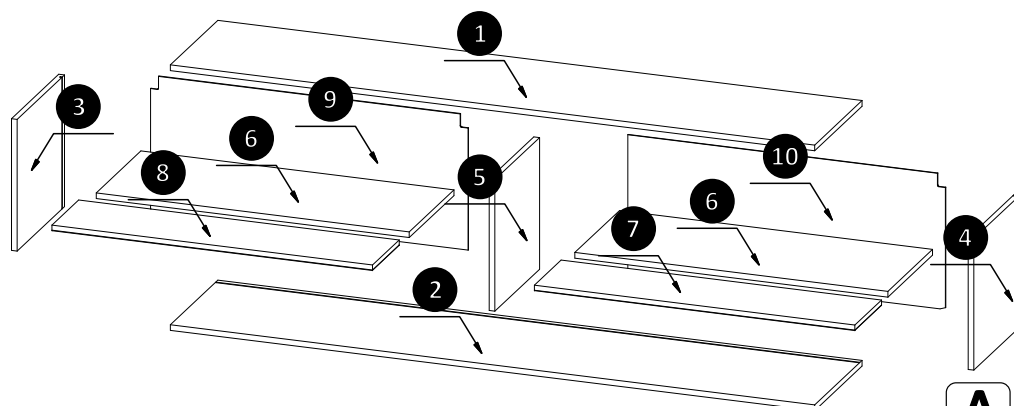
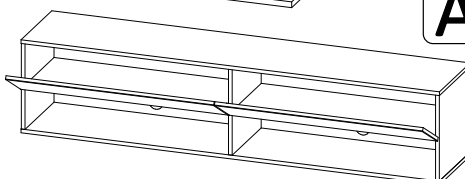


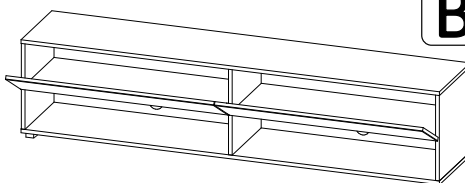
RTV 180



1	1	1800	360	16
2	1	1800	360	16
3	1	368	359	16
4	1	368	359	16
5	1	368	339	16
6	2	874.5	338	16
7	1	895.5	205	16
8	1	895.5	205	16
9	1	888	377	3
10	1	888	377	3

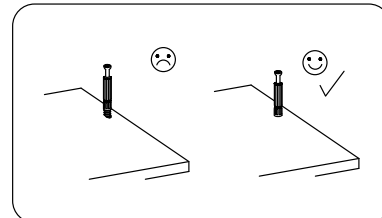
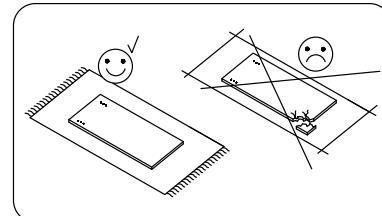
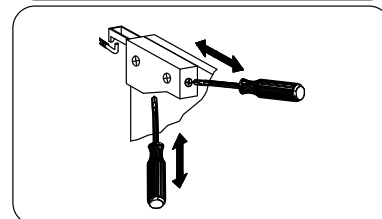
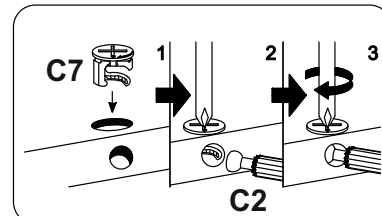
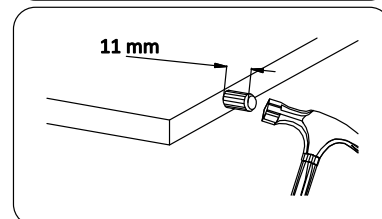
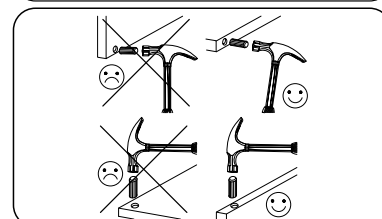
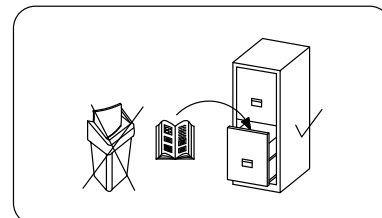
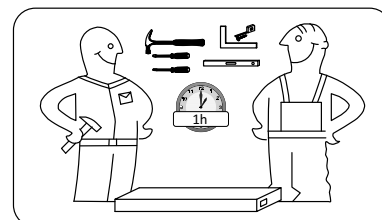


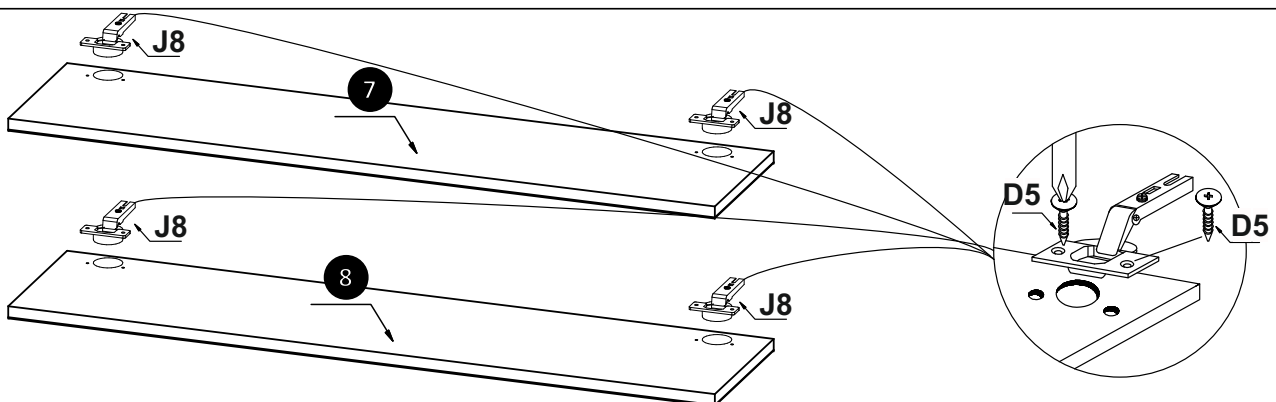
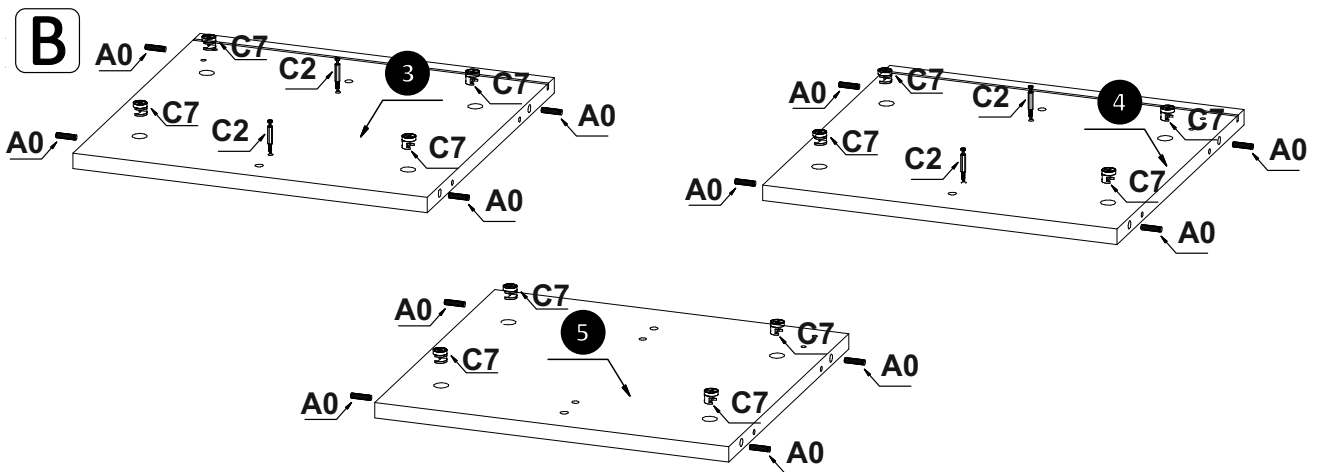
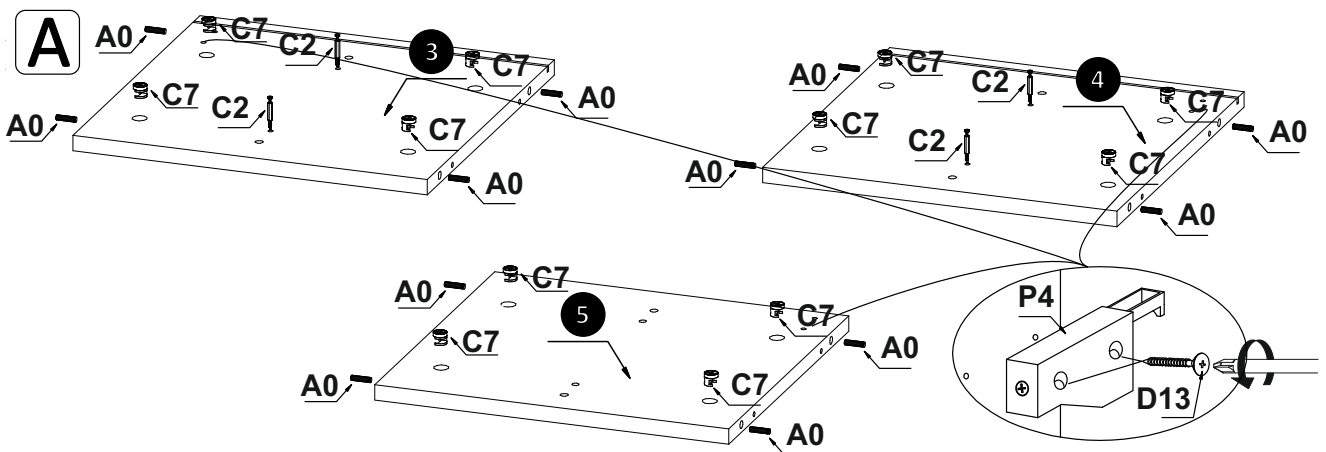
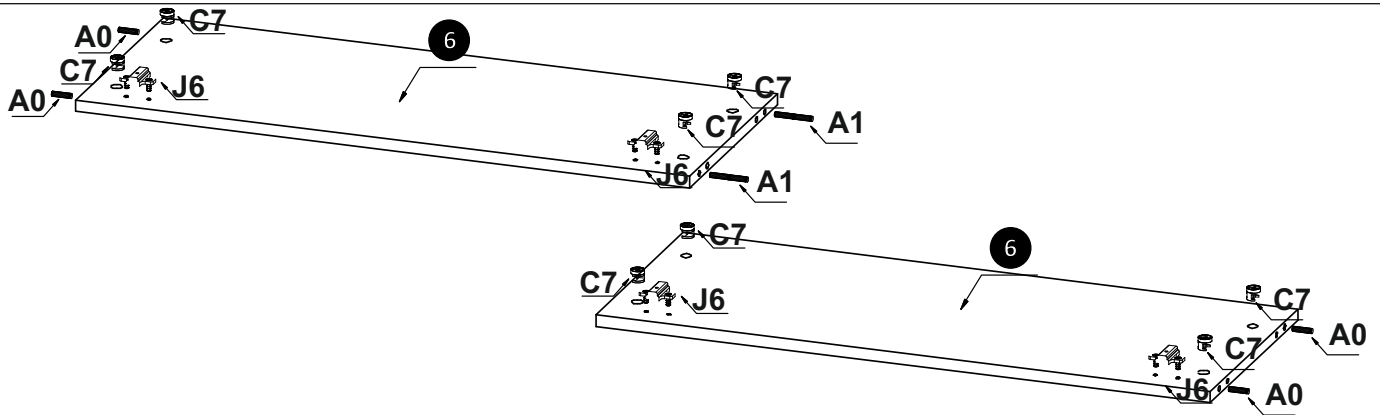
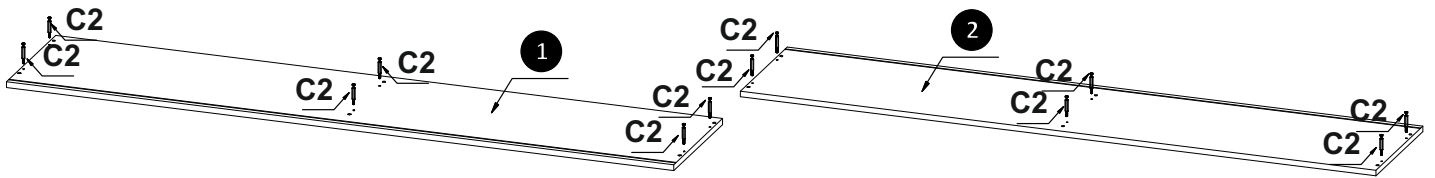
A

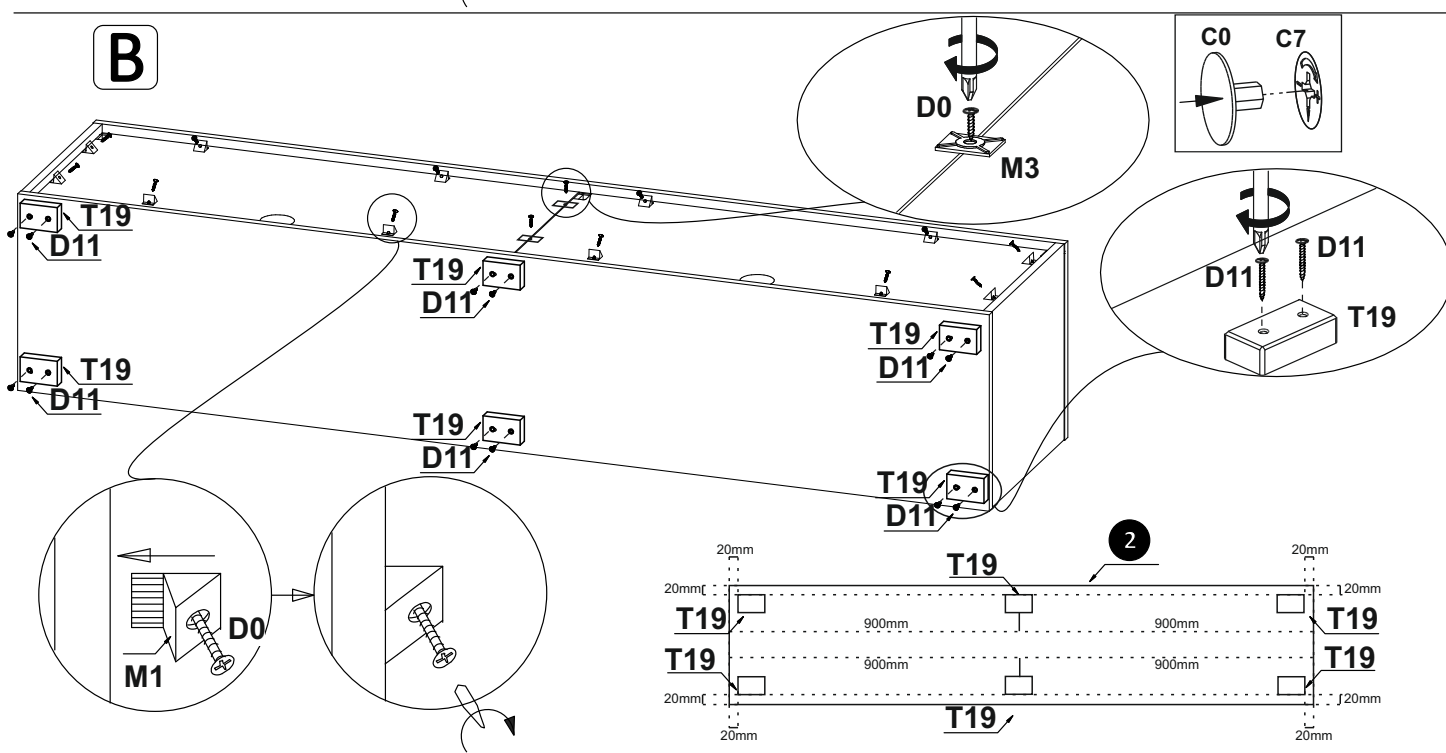
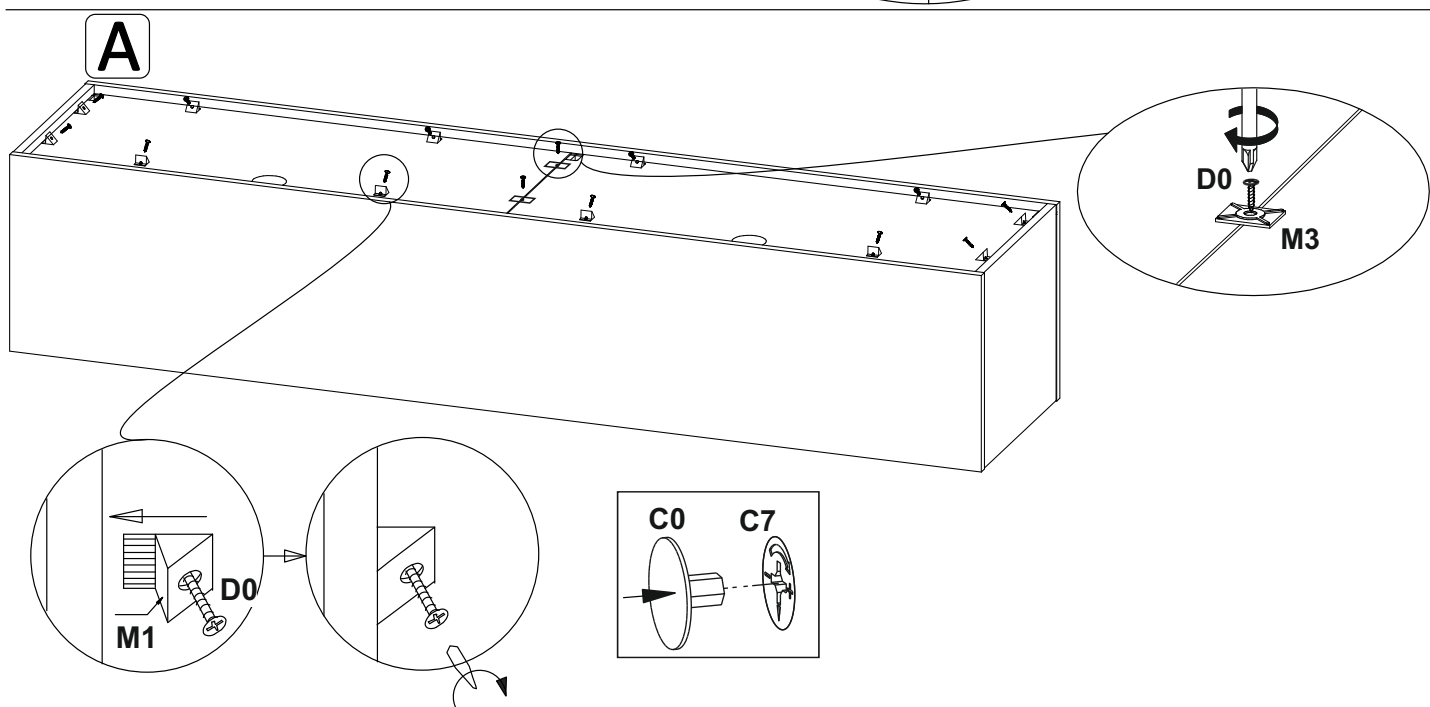
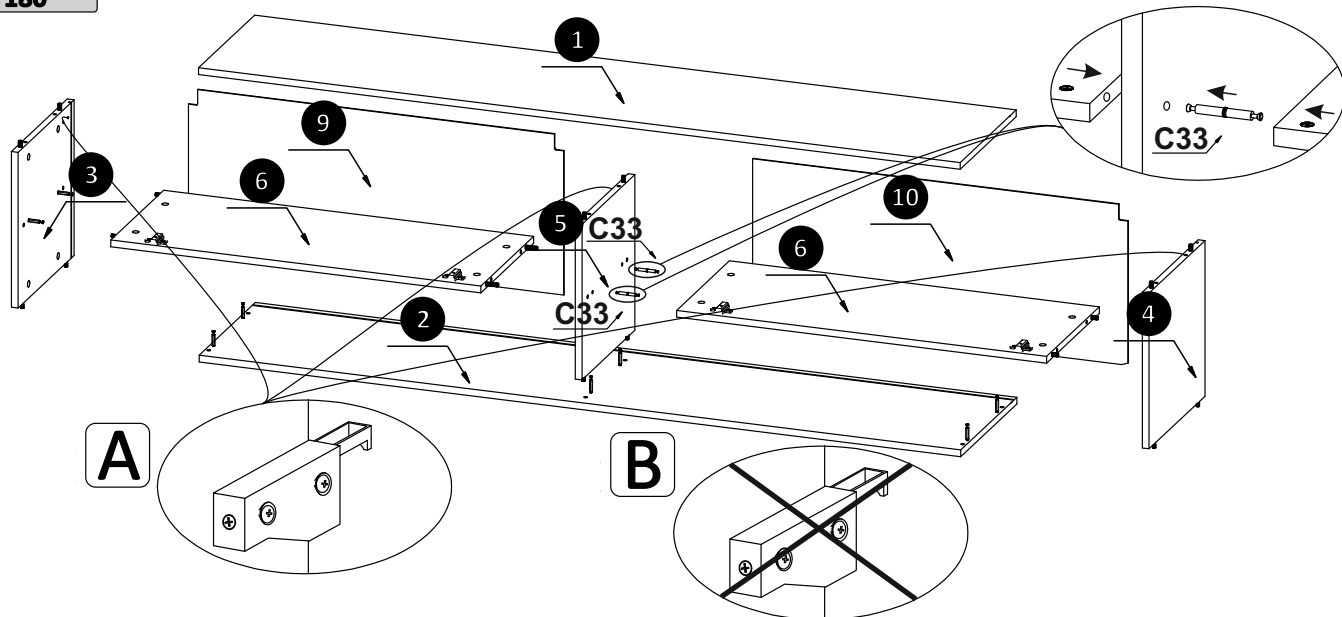


B

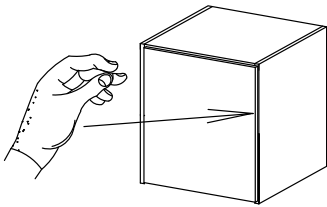
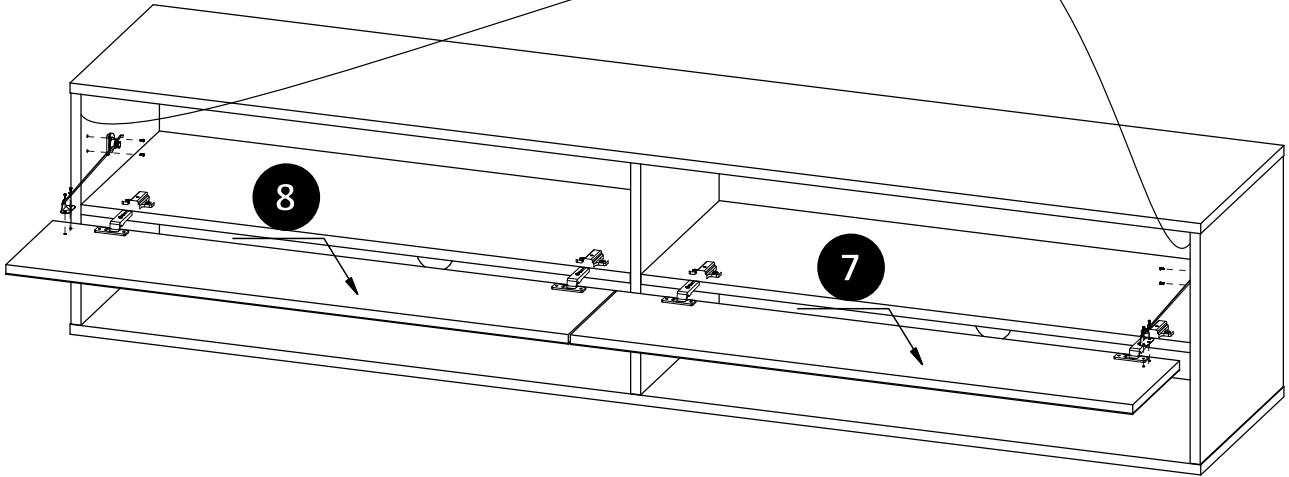
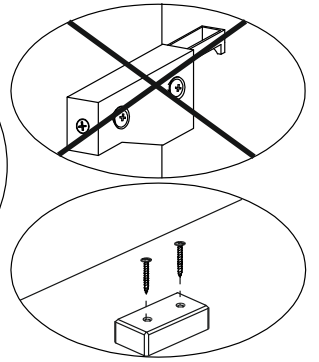
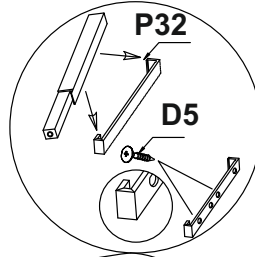
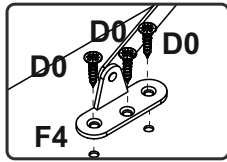
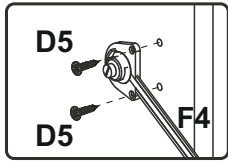
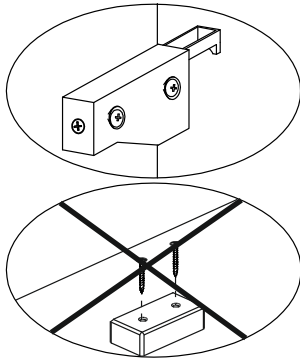
A0 8x30 16	A1 8x50 2	C0 20	C2 16	C7 20	C33 2	D0 3x15 20	D5 3.5x16 16	D11 4x20 12
D13 4x30 6	F4 2	J6 H=2 4	J8 4	M1 12	M3 2	P4 3	P32 2	T19 6







A



Push to open

