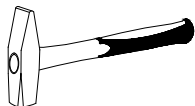


XII



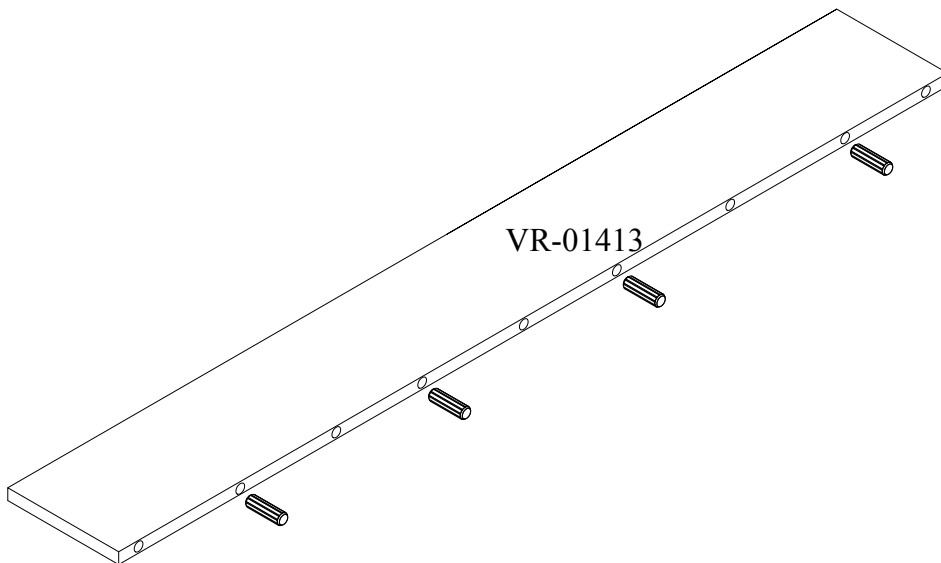
8.0x30



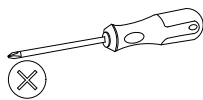
D

4

VR-01413



XIII



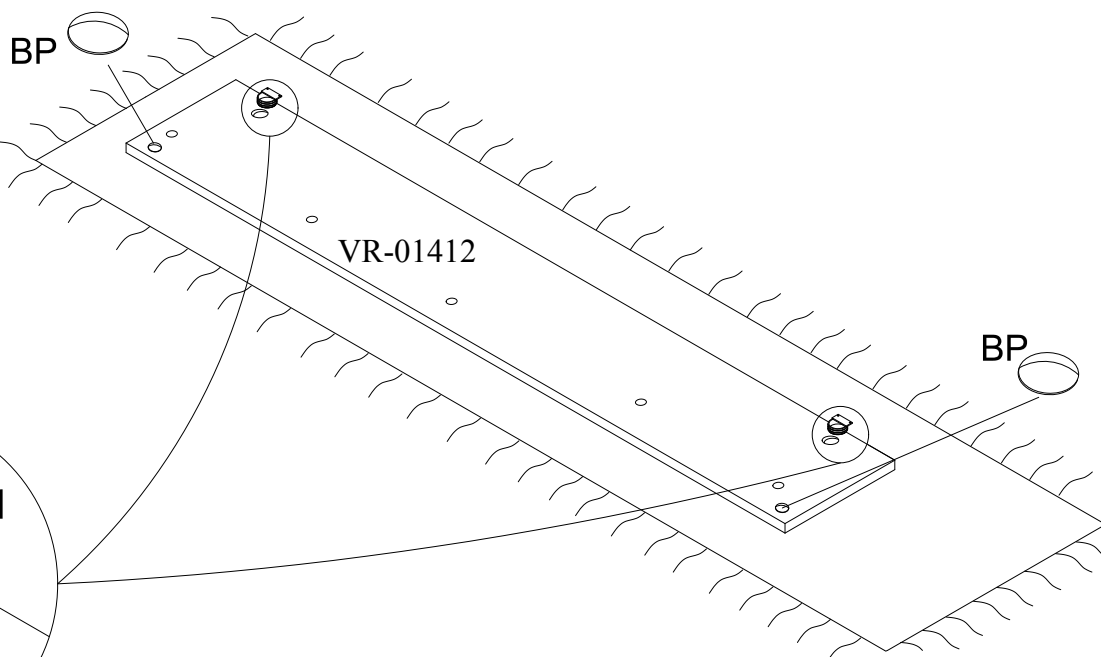
Y1

2



BP

2



BP

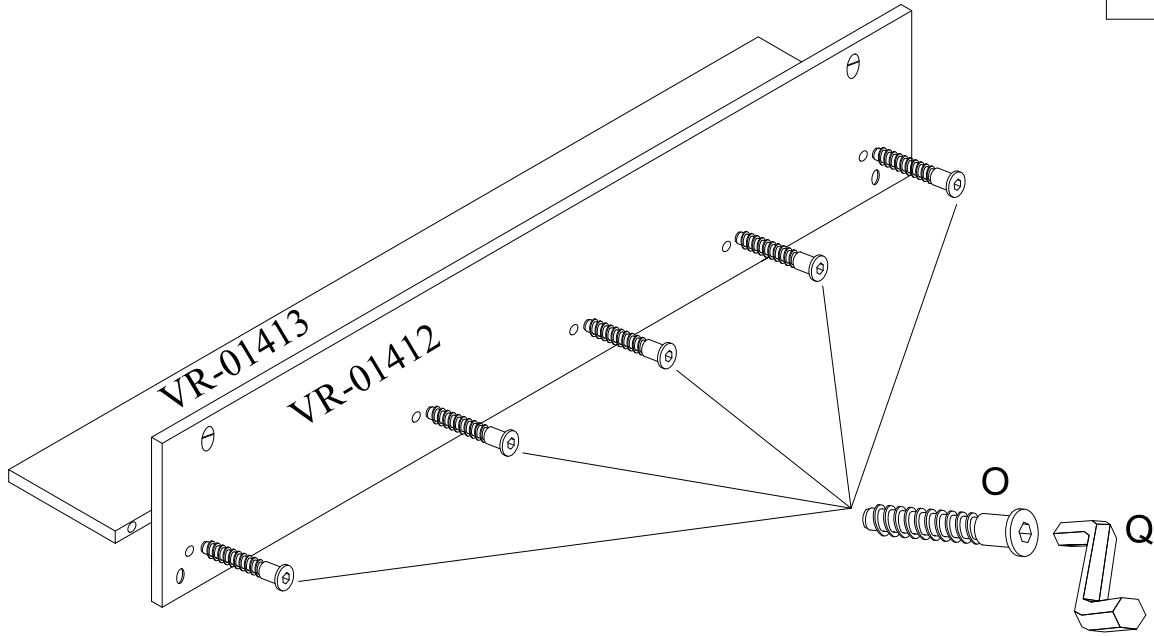
VR-01412


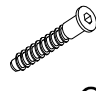
BP

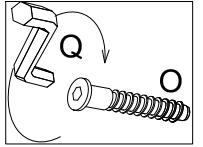
H1

Y1

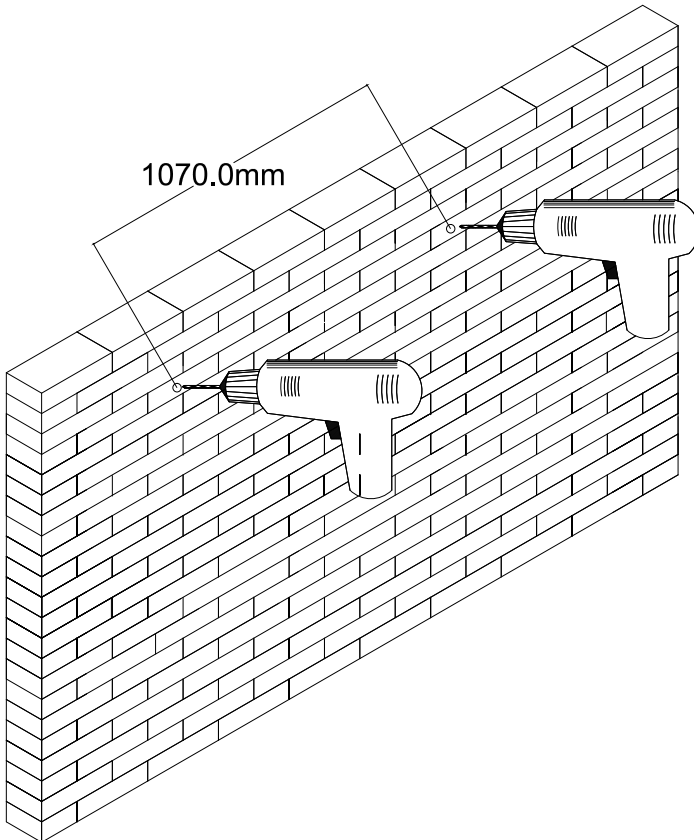
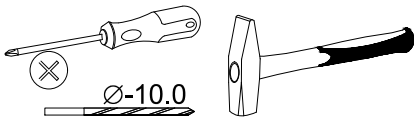
XIV




	
Q	O
1	5



XV



Ø-10.0

KR
1

