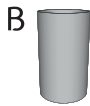
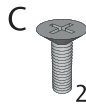


65x6



x6



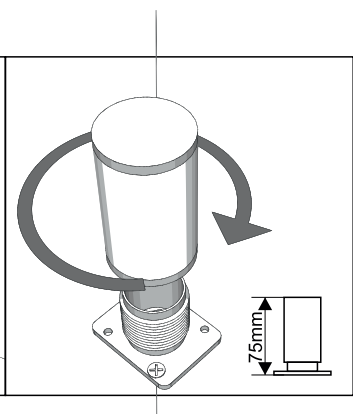
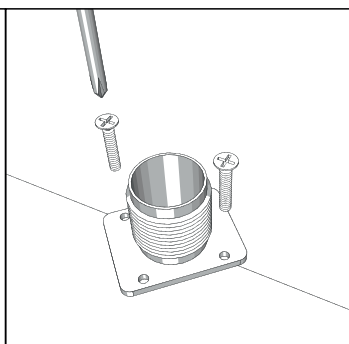
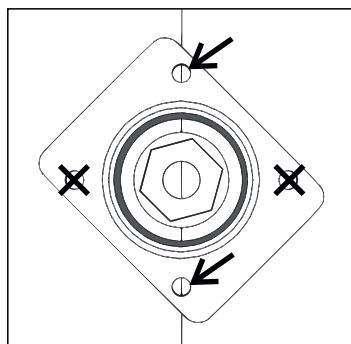
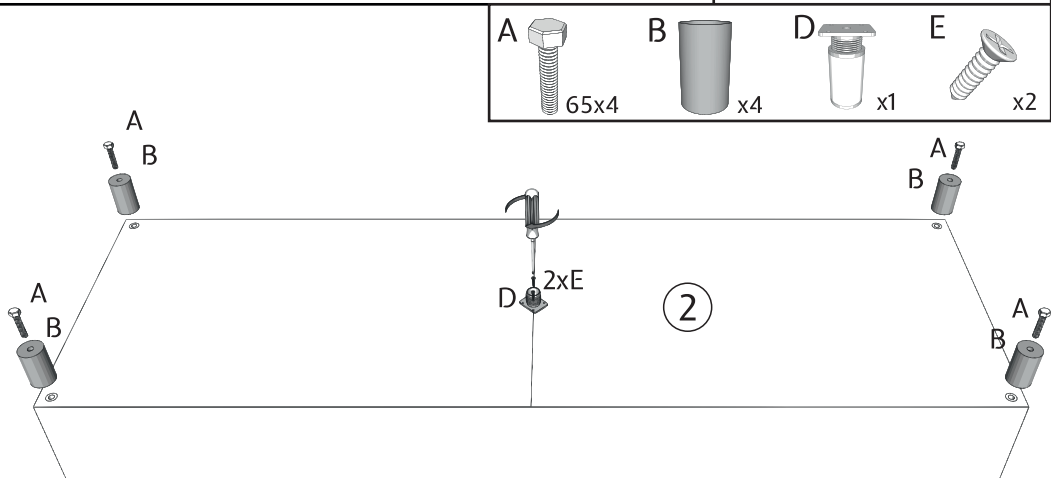
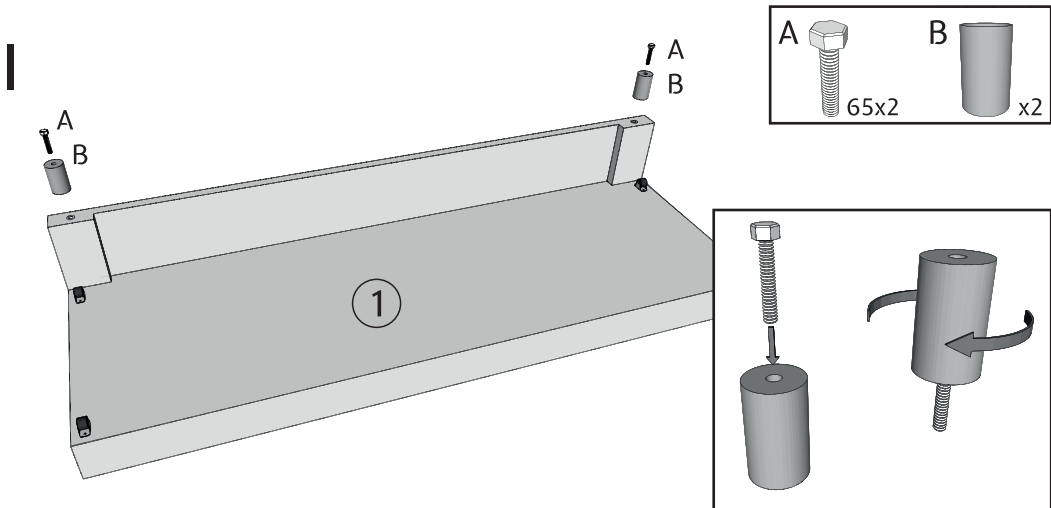
20x6



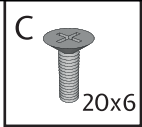
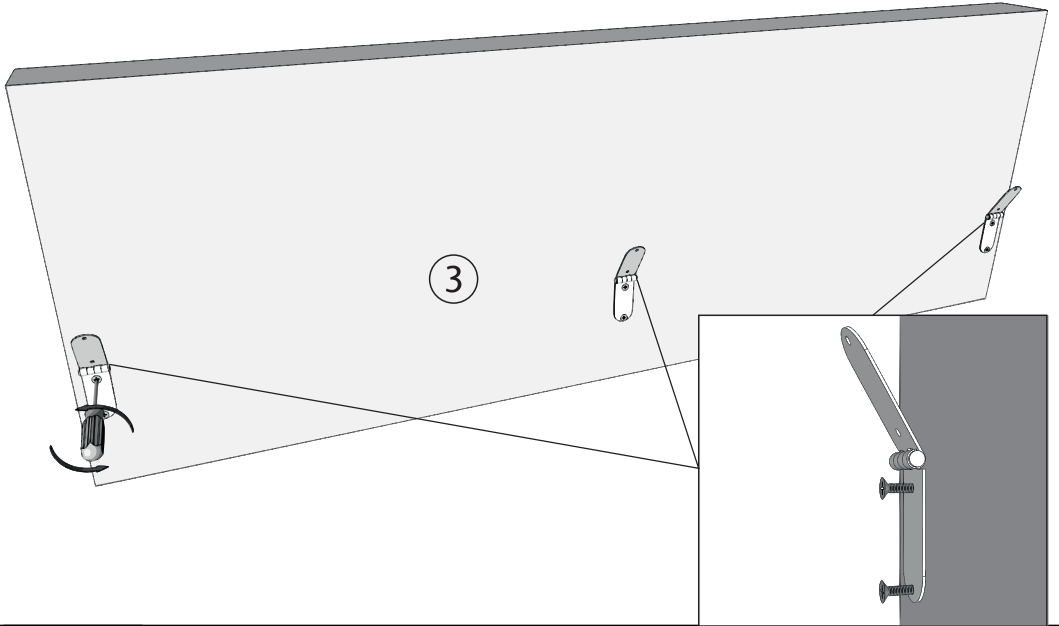
x1



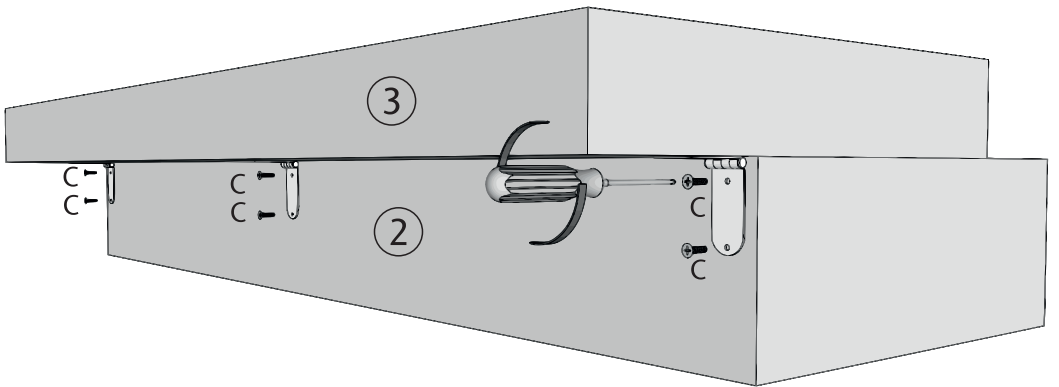
x2



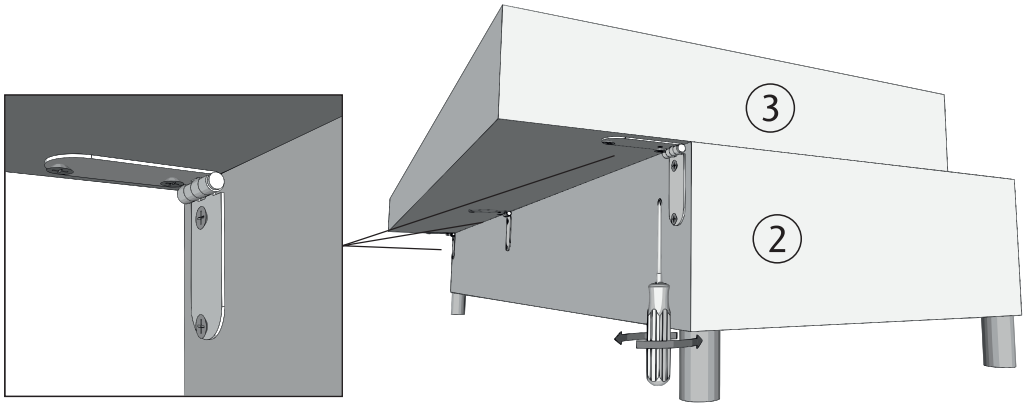
III



IV



V



VI

