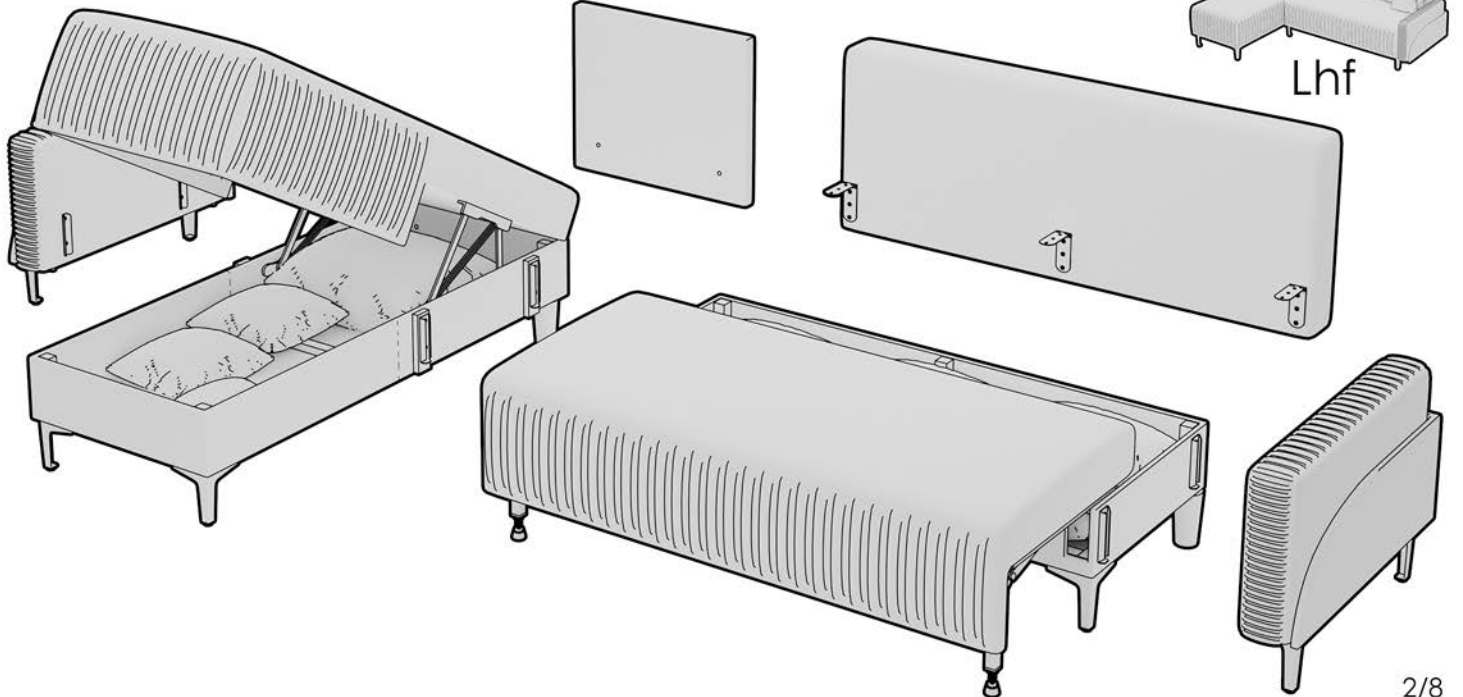
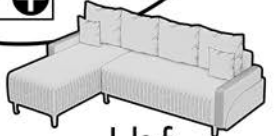
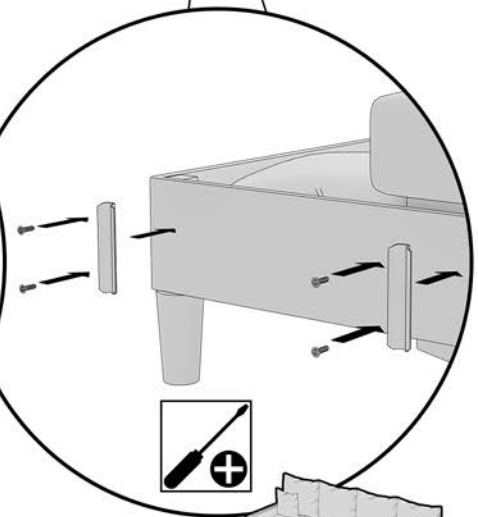
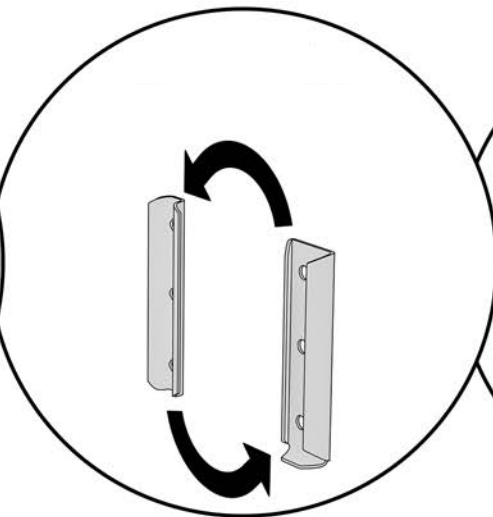
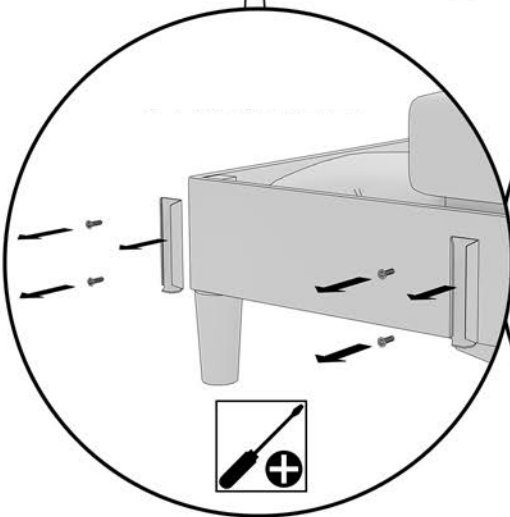
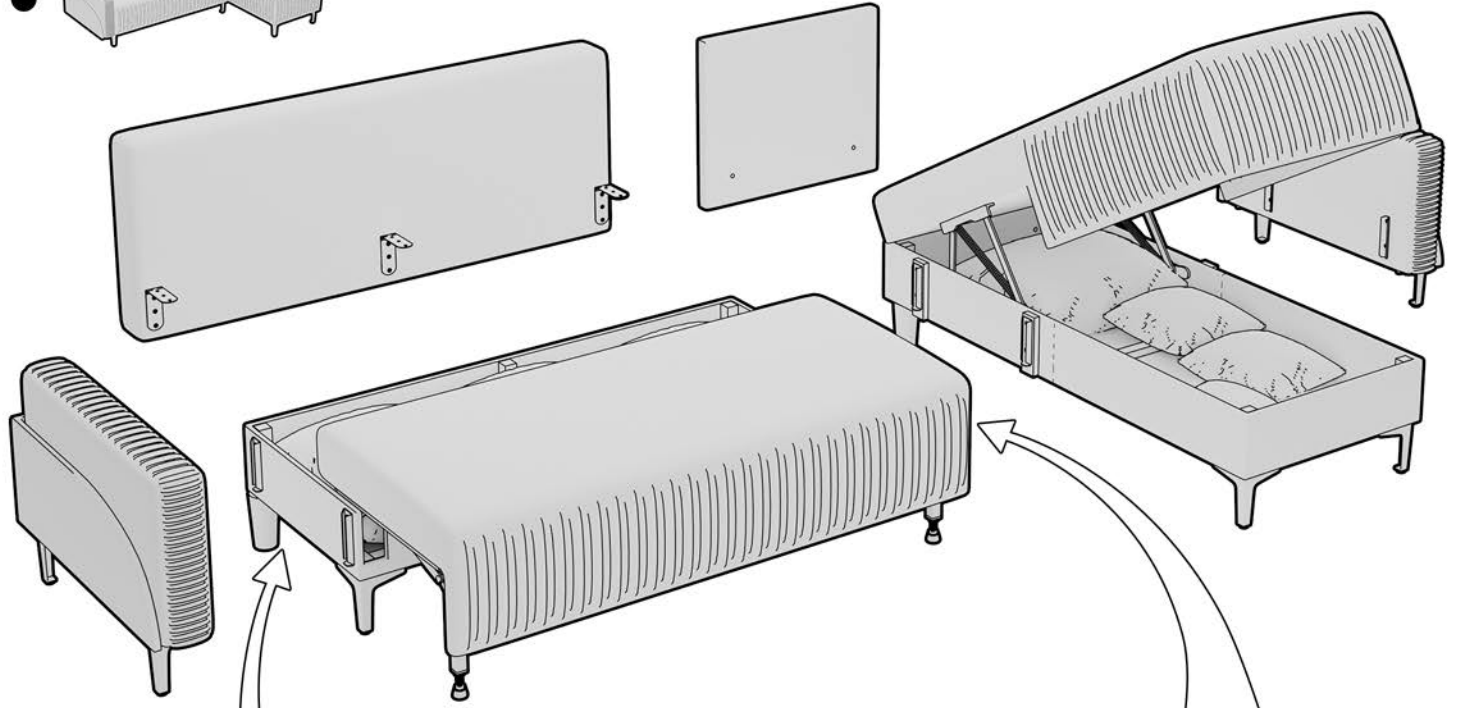






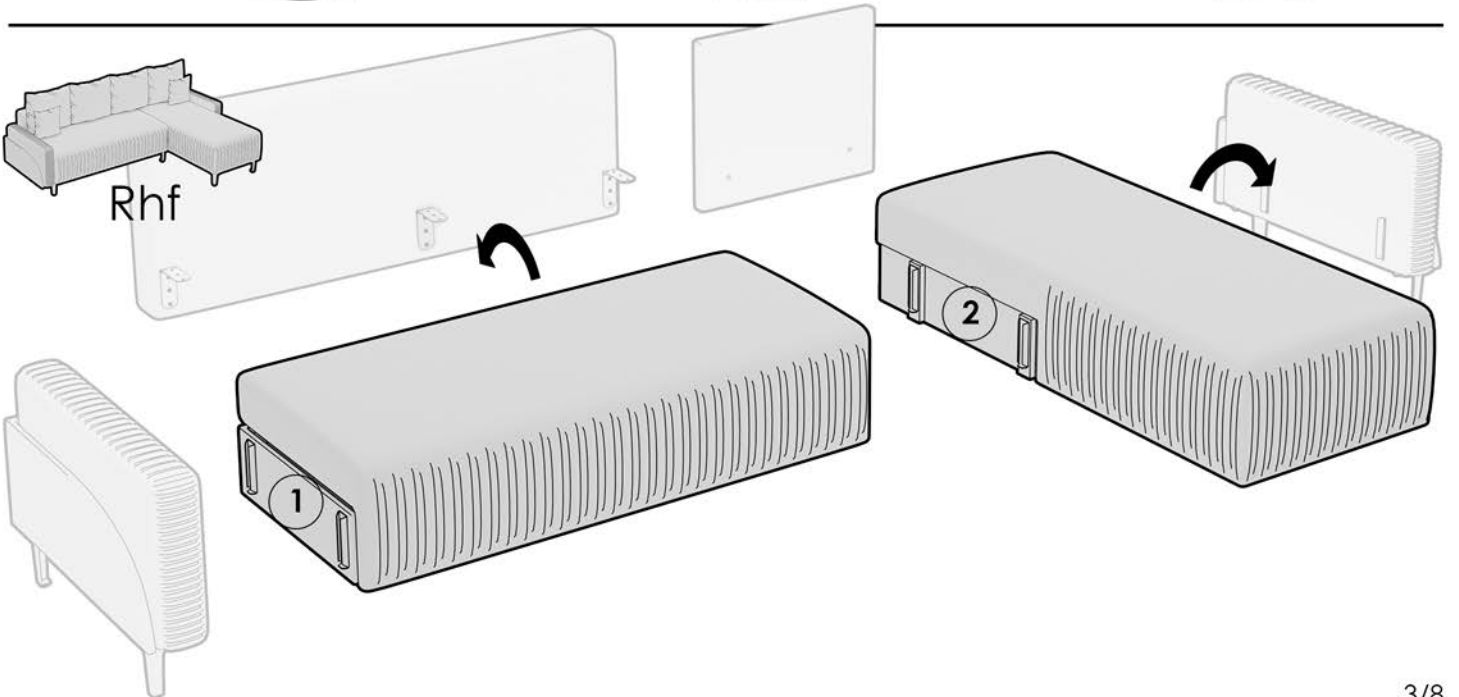
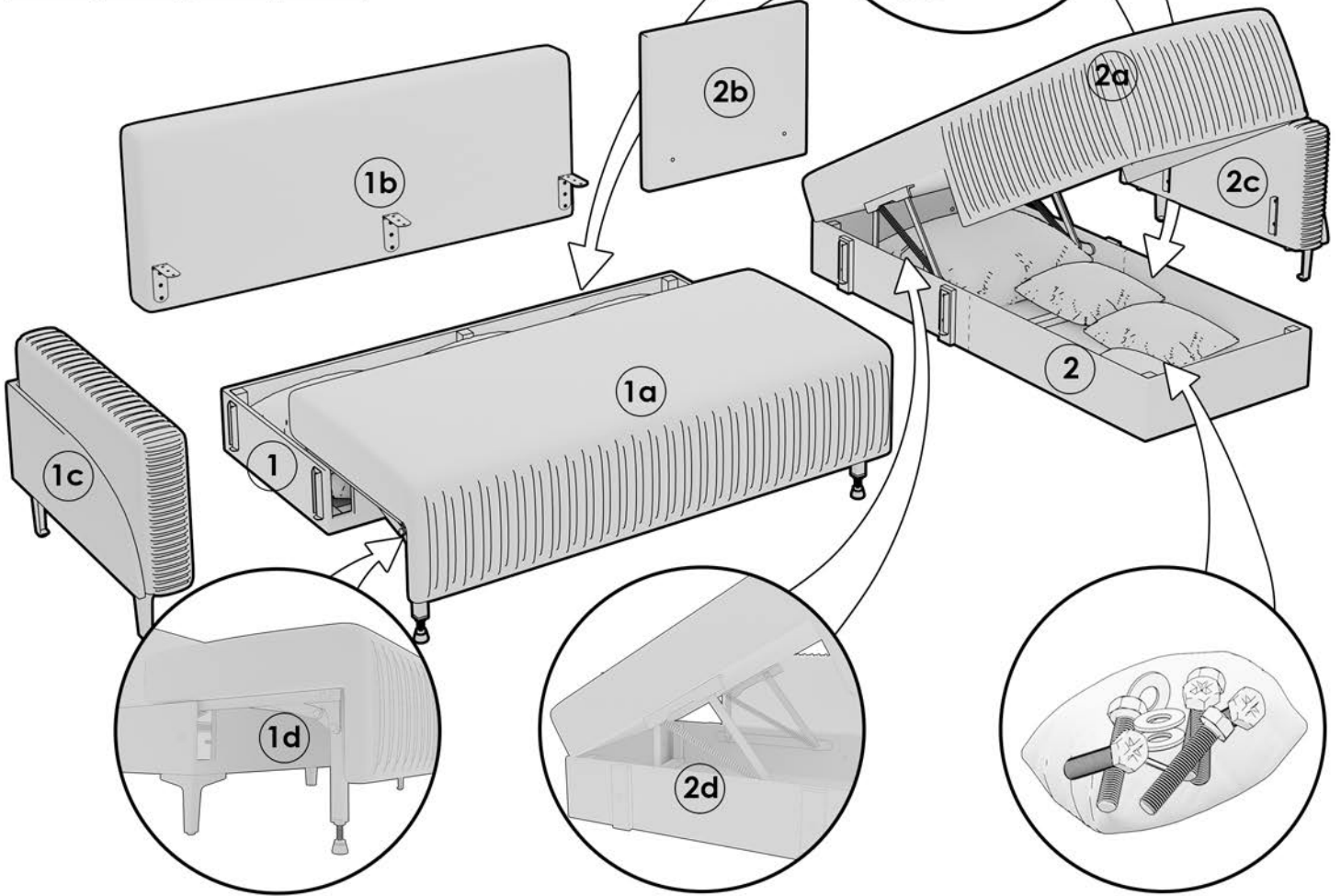
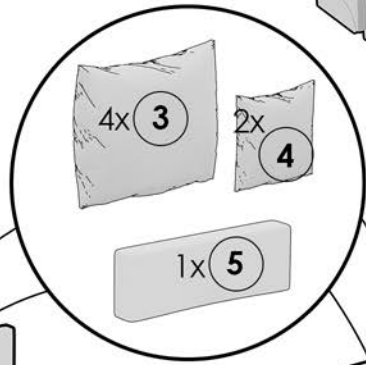
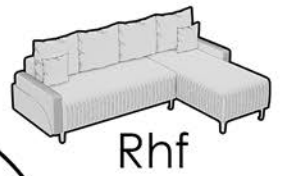
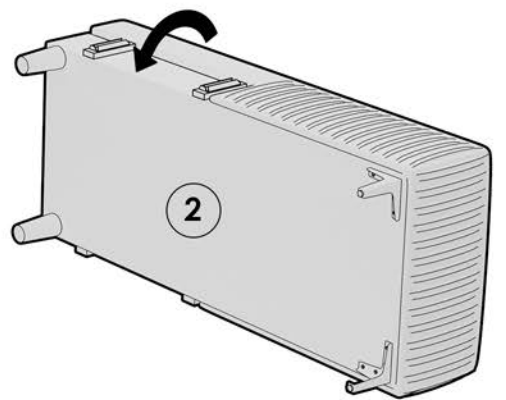
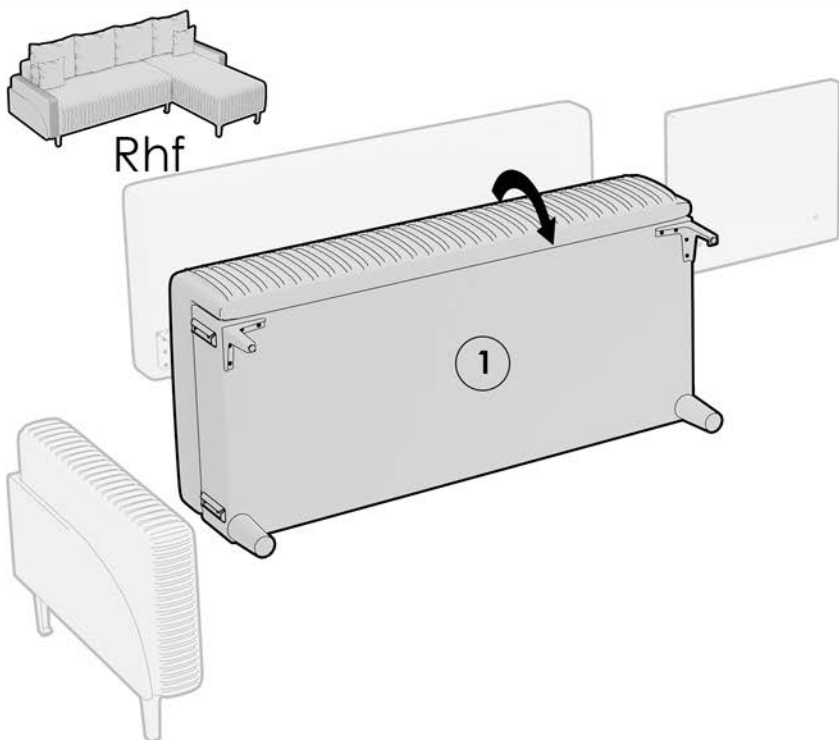
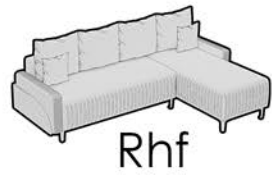
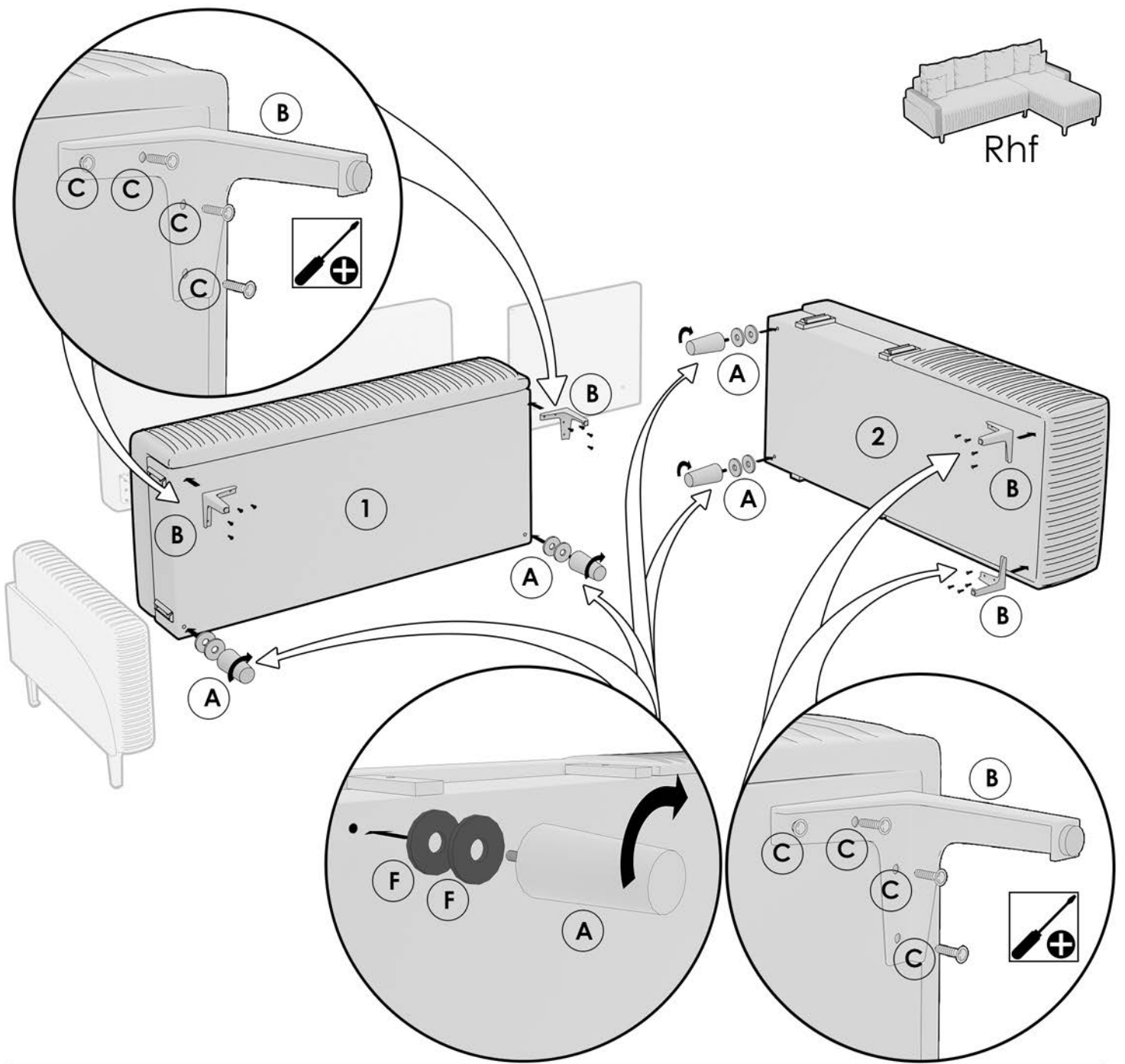


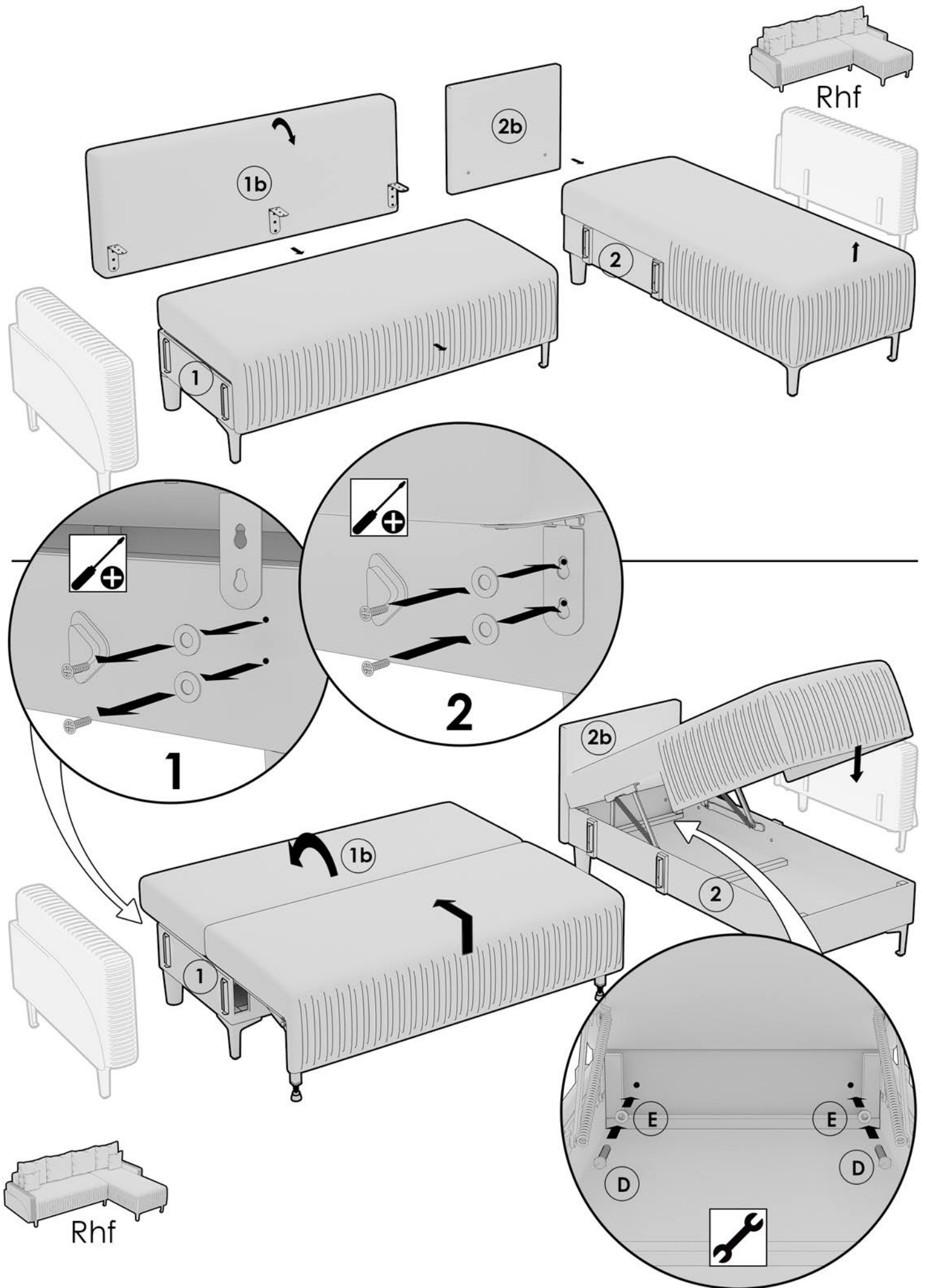
STANDARD RIGHT

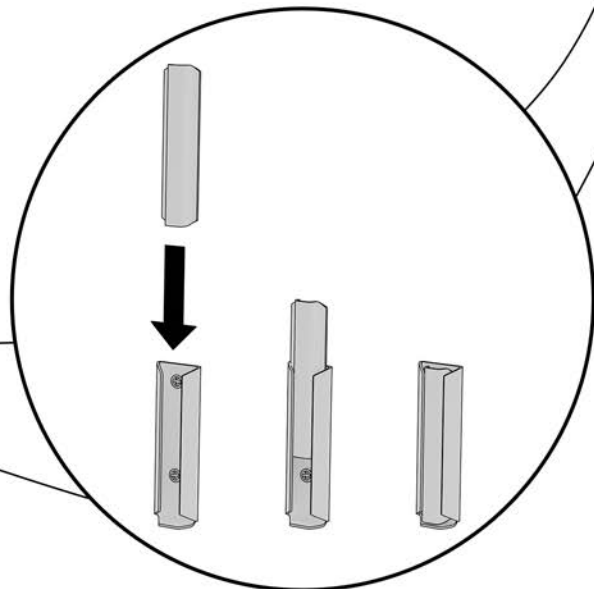
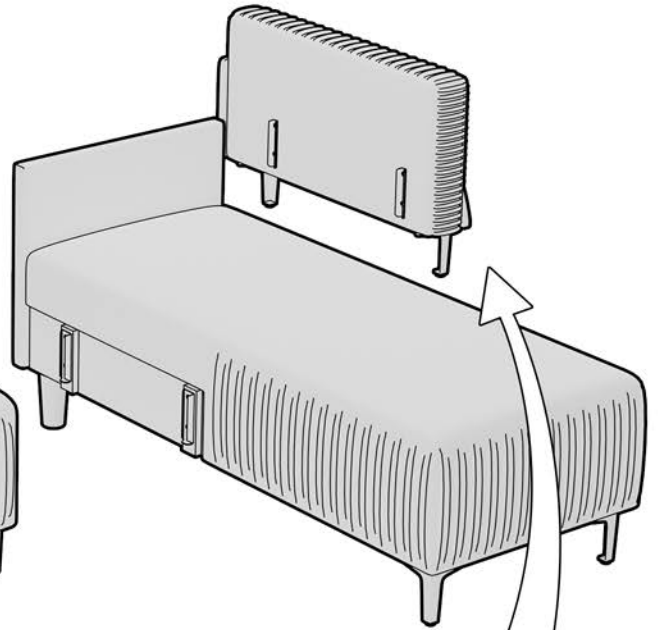
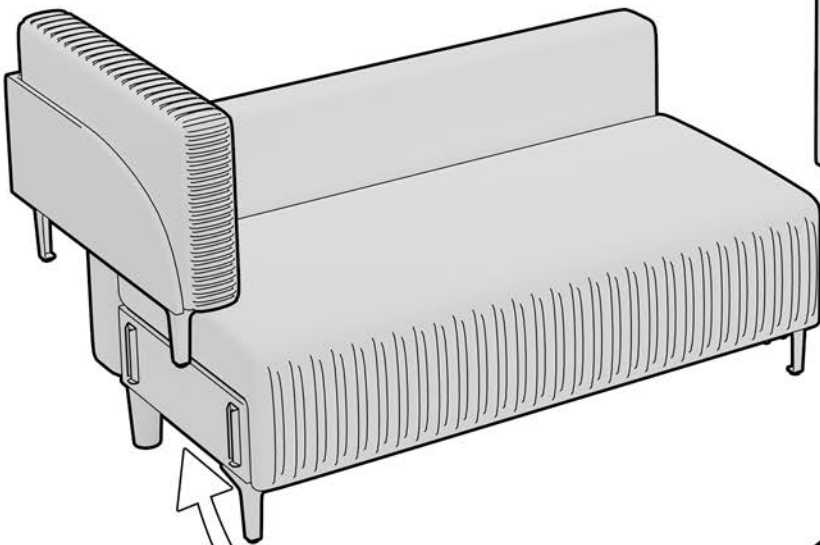
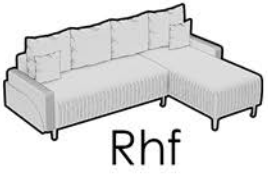
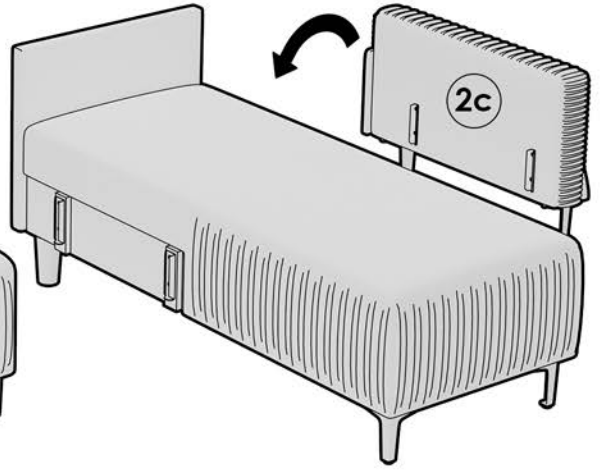
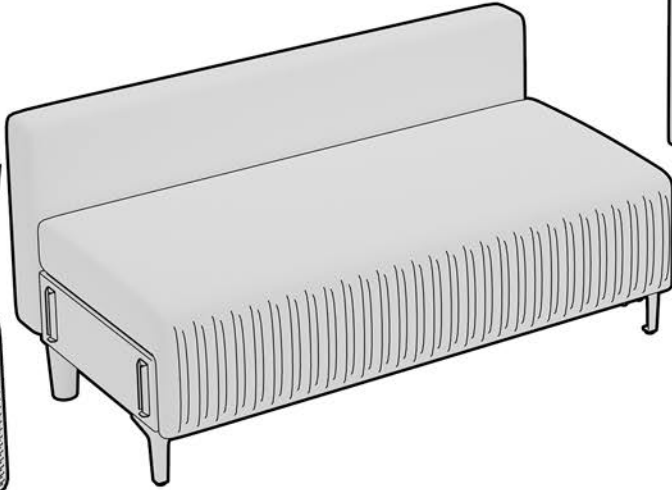
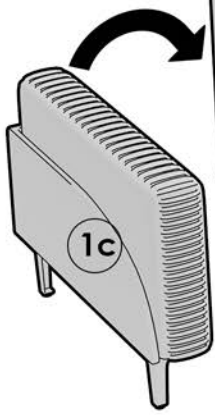
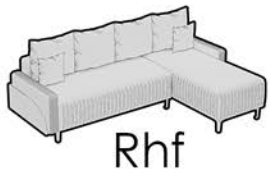


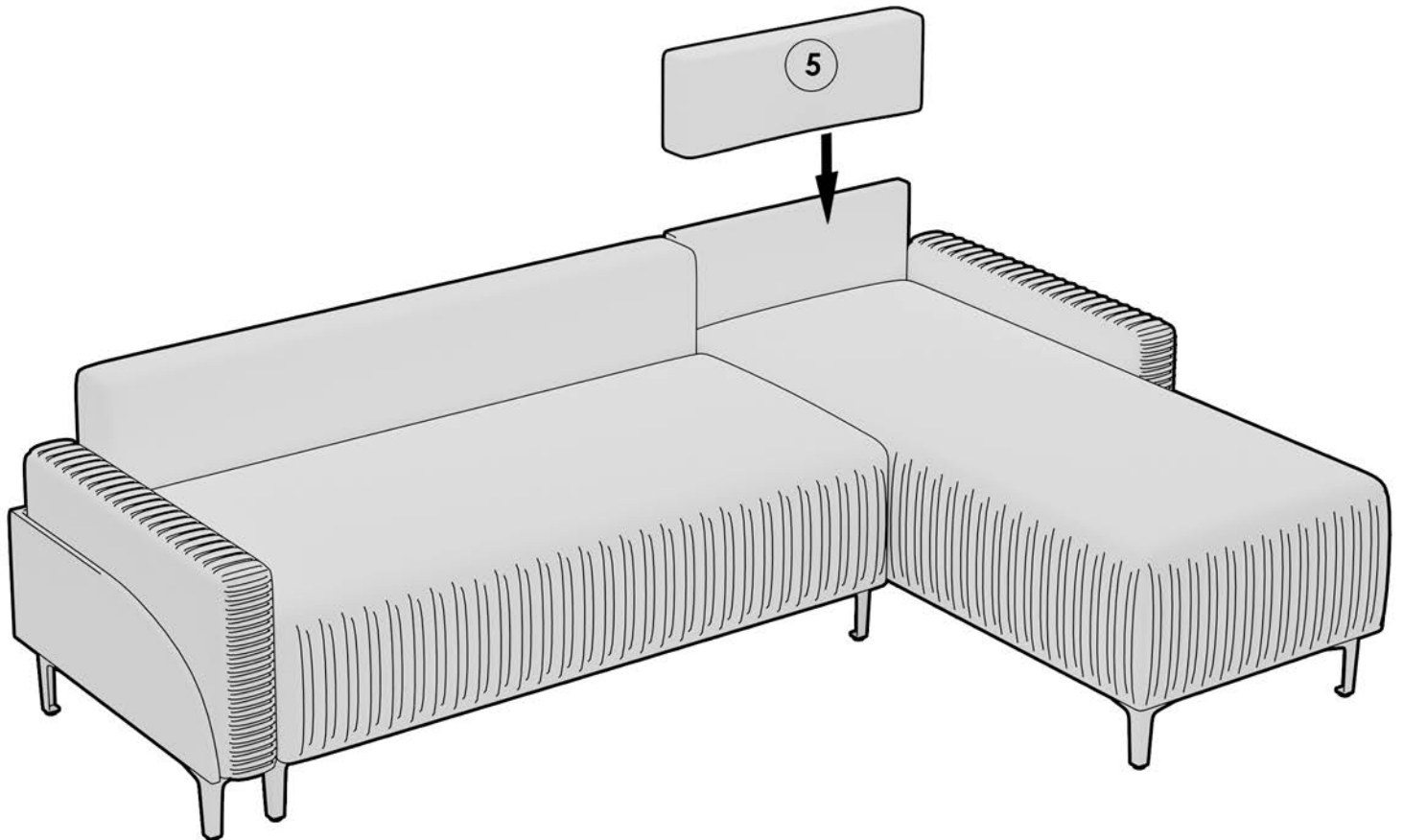
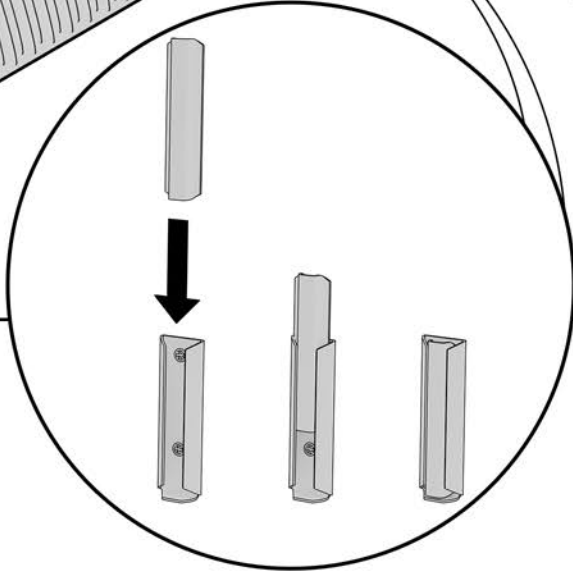
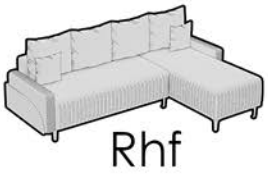
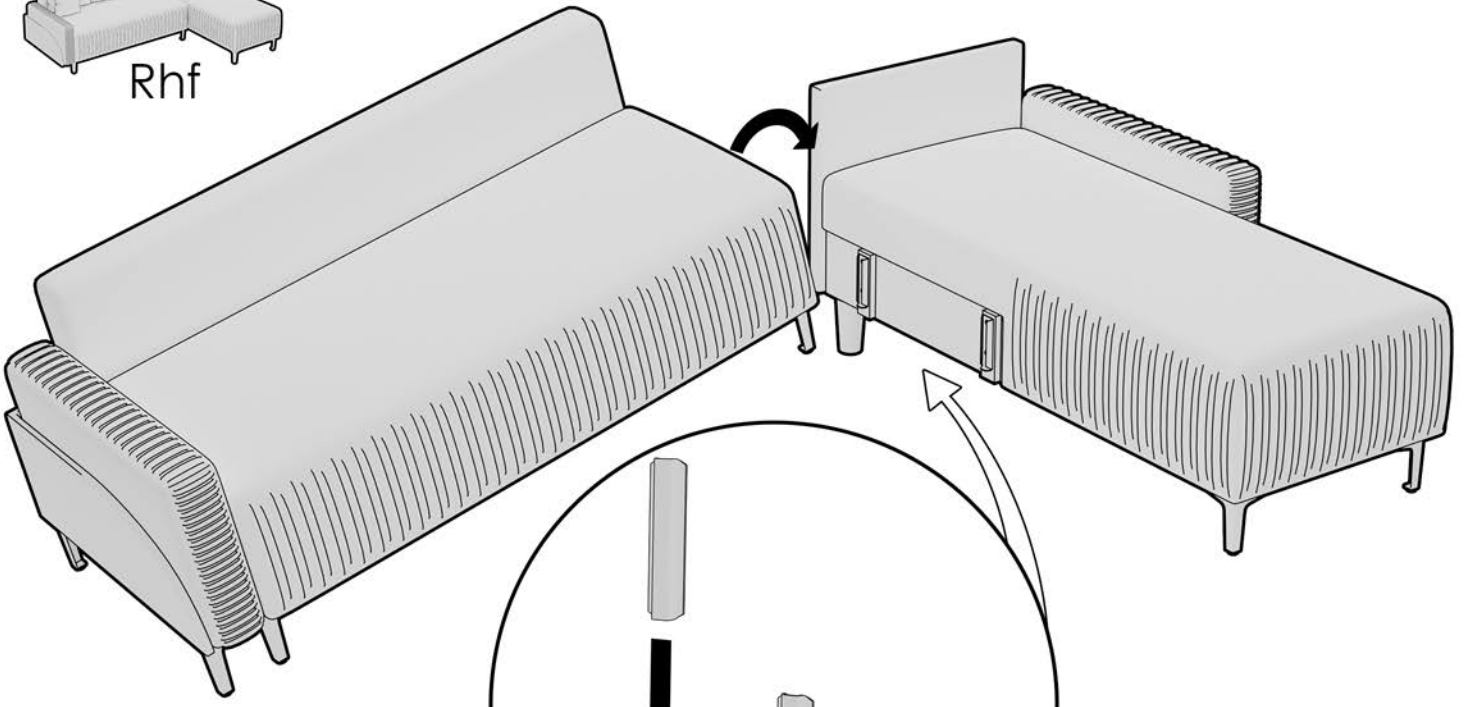
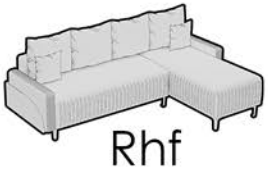
A		x4	D	 M8 60mm	x2
B		x4	E		x2
C	 25mm	x16	F		x8

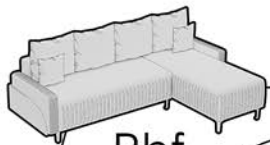




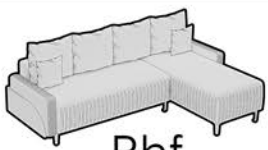
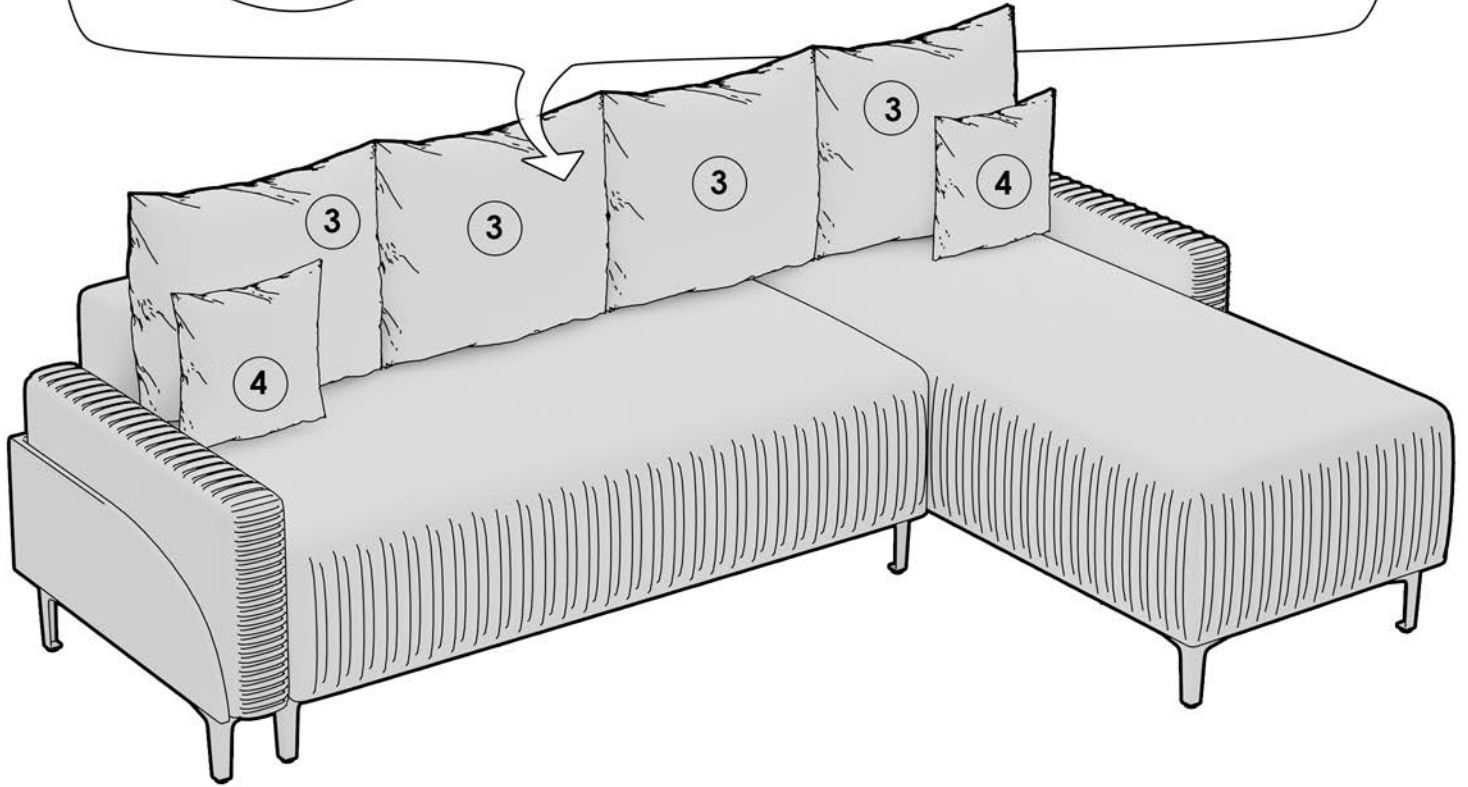
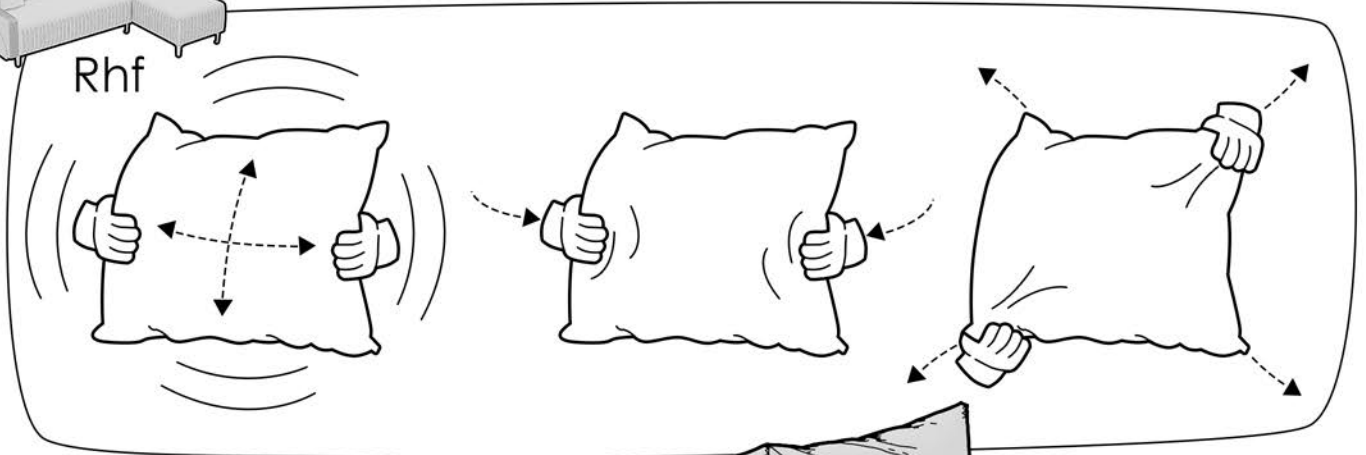








Rhf



Rhf

