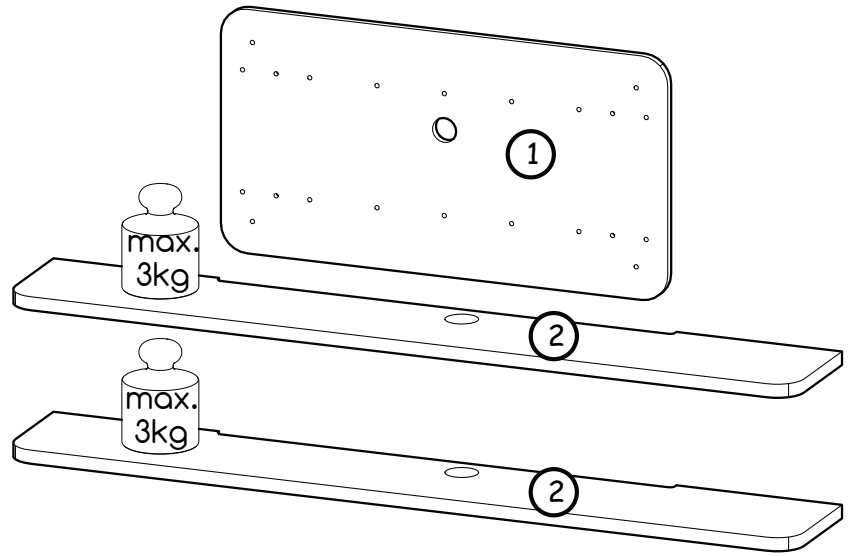






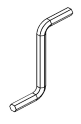
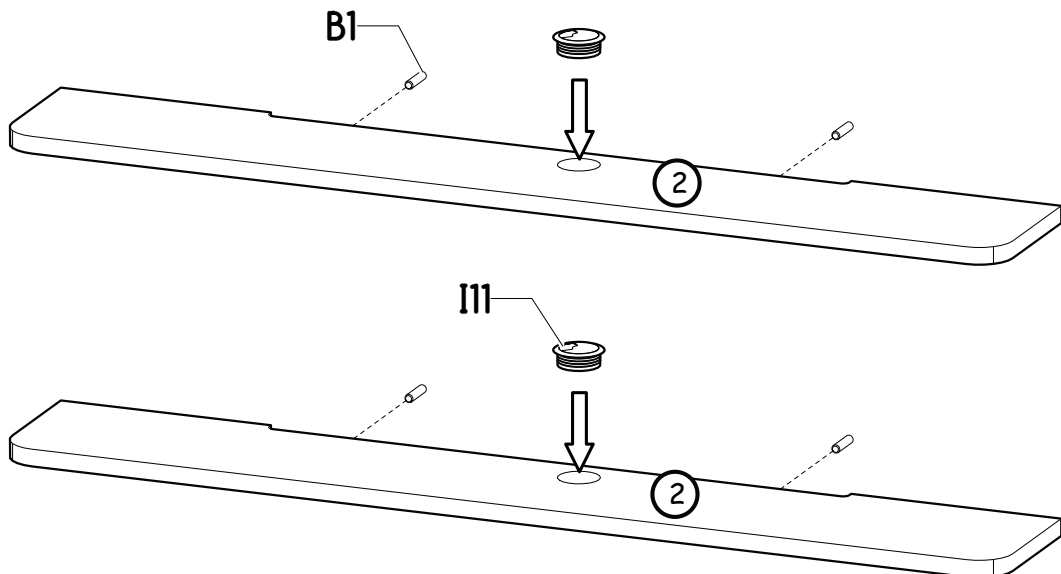


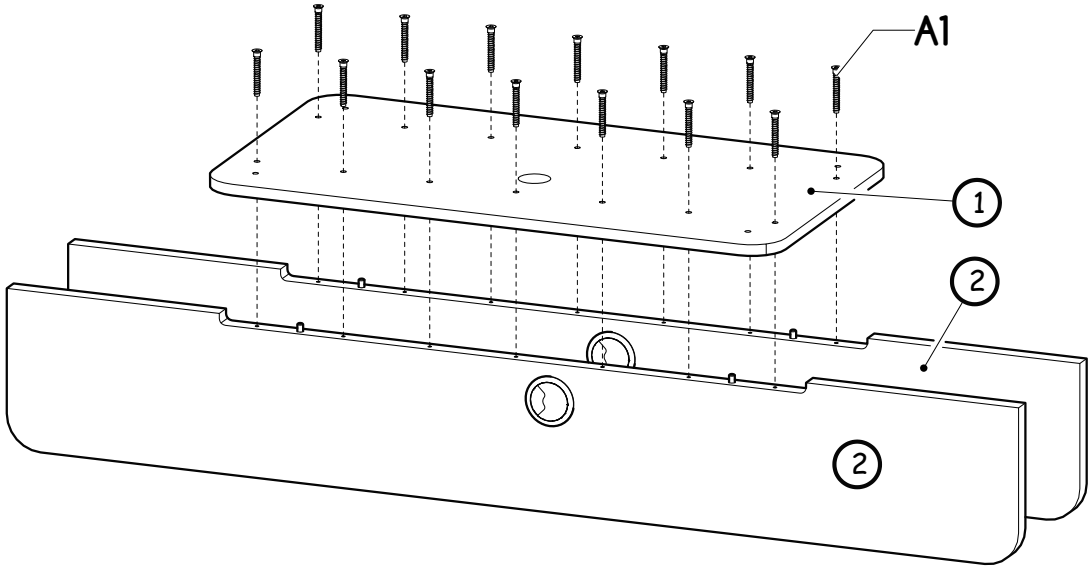
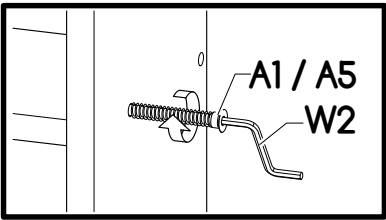
Nr	Xmm	Ymm	Zmm	x
1	850	450	16	1
2	1500	230	25	2



<b>B1</b>  4x Ø8x35	<b>A1</b>  14x Ø7x50	<b>I11</b>  2x Ø60	<b>U8</b>  4x Ø10x50	<b>I12</b>  4x Ø4/Ø11	<b>A2</b>  4x Ø7x70
<b>W2</b>  1x 4mm					



II



III

