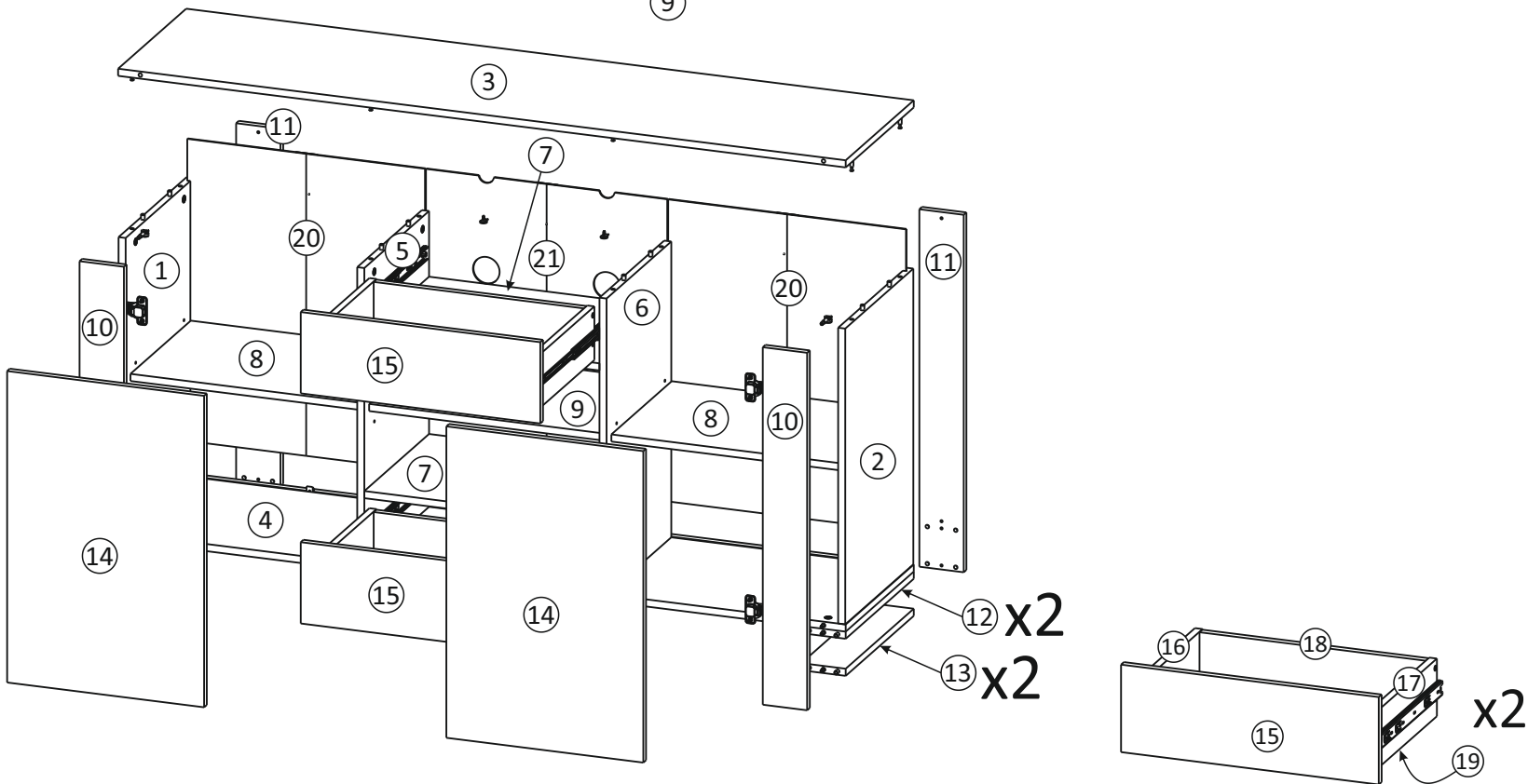
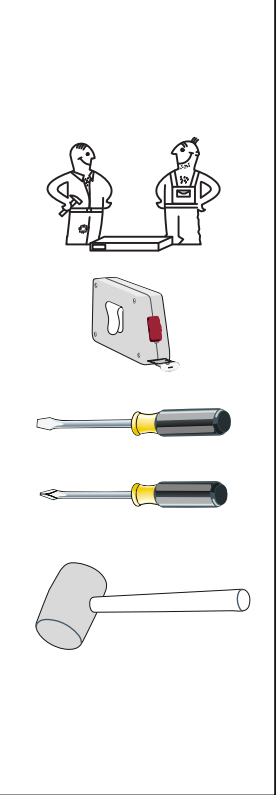


7 max.  
8 5 kg  
9

3 max.  
18 kg



Bag 1

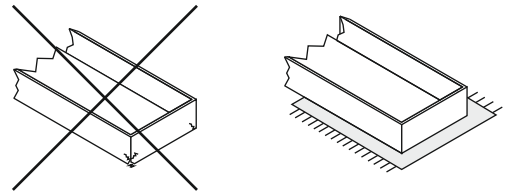
<b>K2</b>  x44	<b>T1</b>  x32	<b>M1</b>  x32	<b>S10</b>  3x18 x8	<b>P2</b>  UP 3,5x18 x20	<b>W2</b>  x12	<b>W3</b>  US 4x30 x4	<b>S9</b>  x4	<b>K11</b>  x16	<b>K7</b>  x1	<b>Z1</b>  x4	<b>B2</b>  x10
----------------------	----------------------	----------------------	------------------------------	-----------------------------------	----------------------	--------------------------------	---------------------	-----------------------	---------------------	---------------------	----------------------

Bag 2

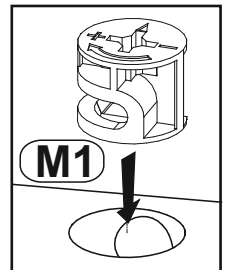
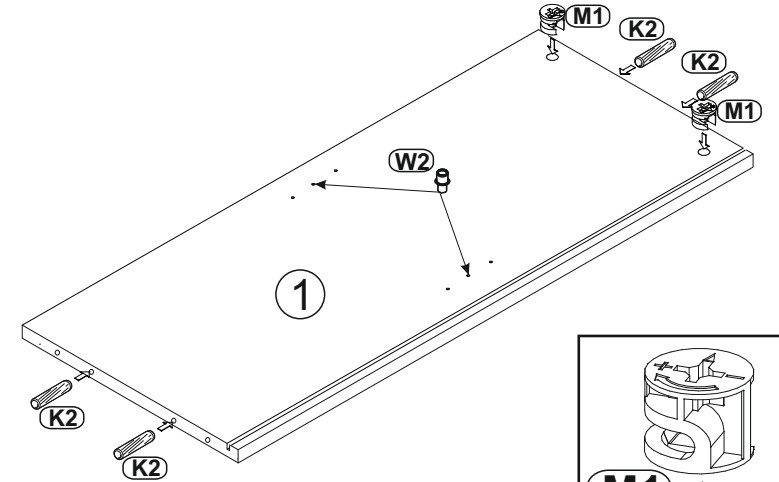
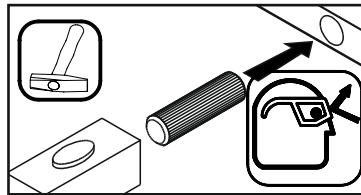
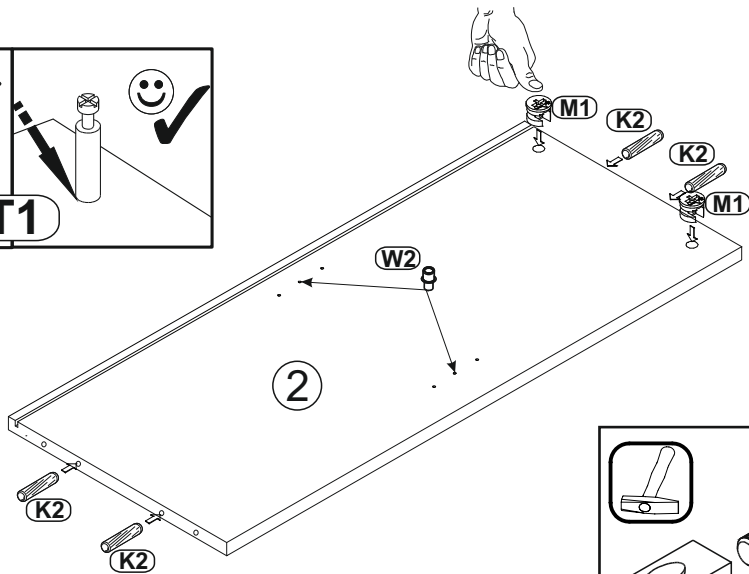
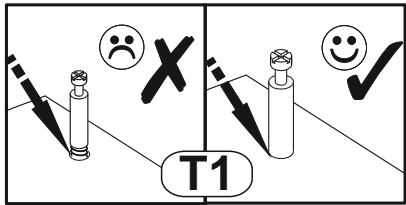
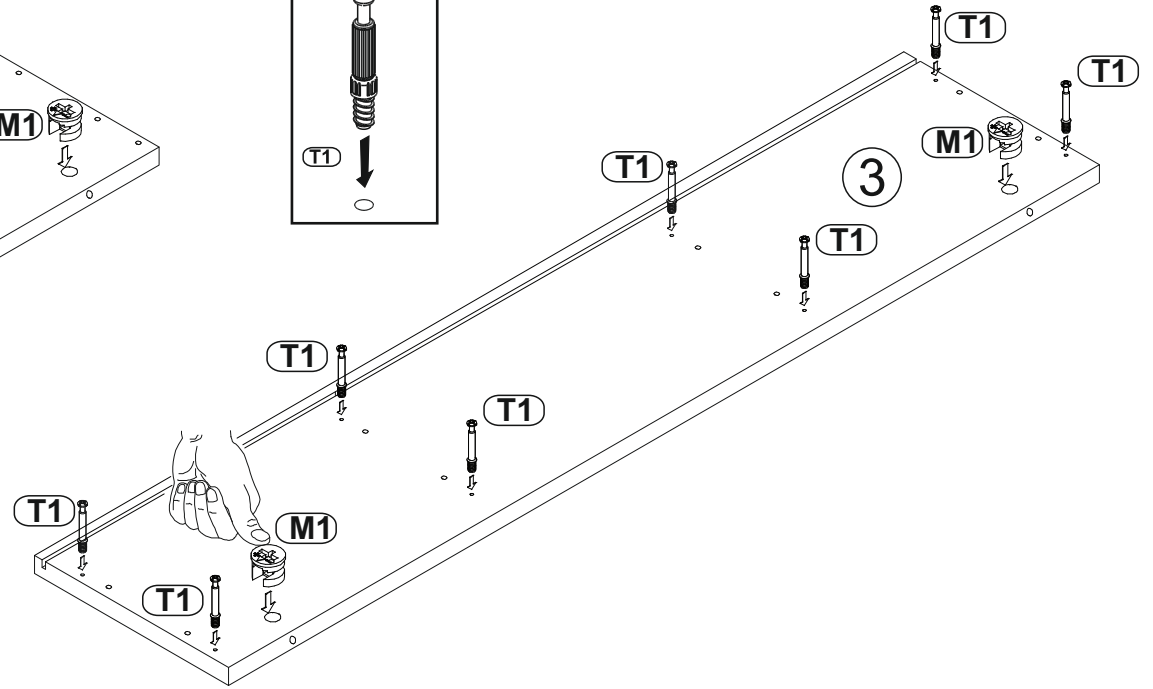
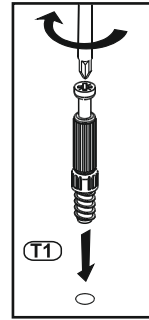
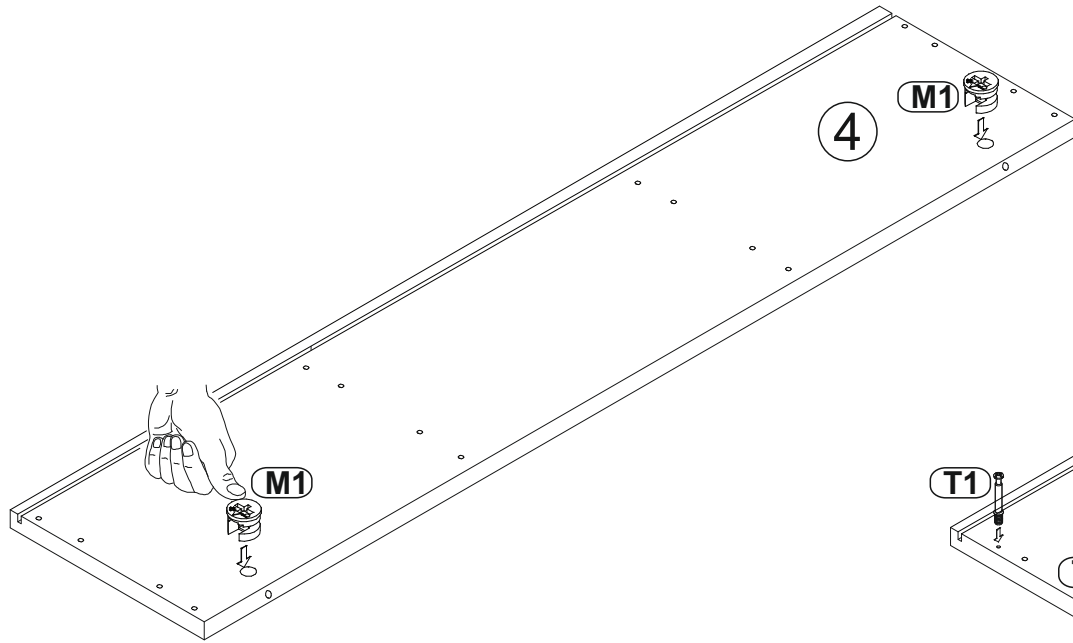
<b>Z7</b>  x4	<b>S3</b>  US 4x13 x12
---------------------	---------------------------------

Bag 3

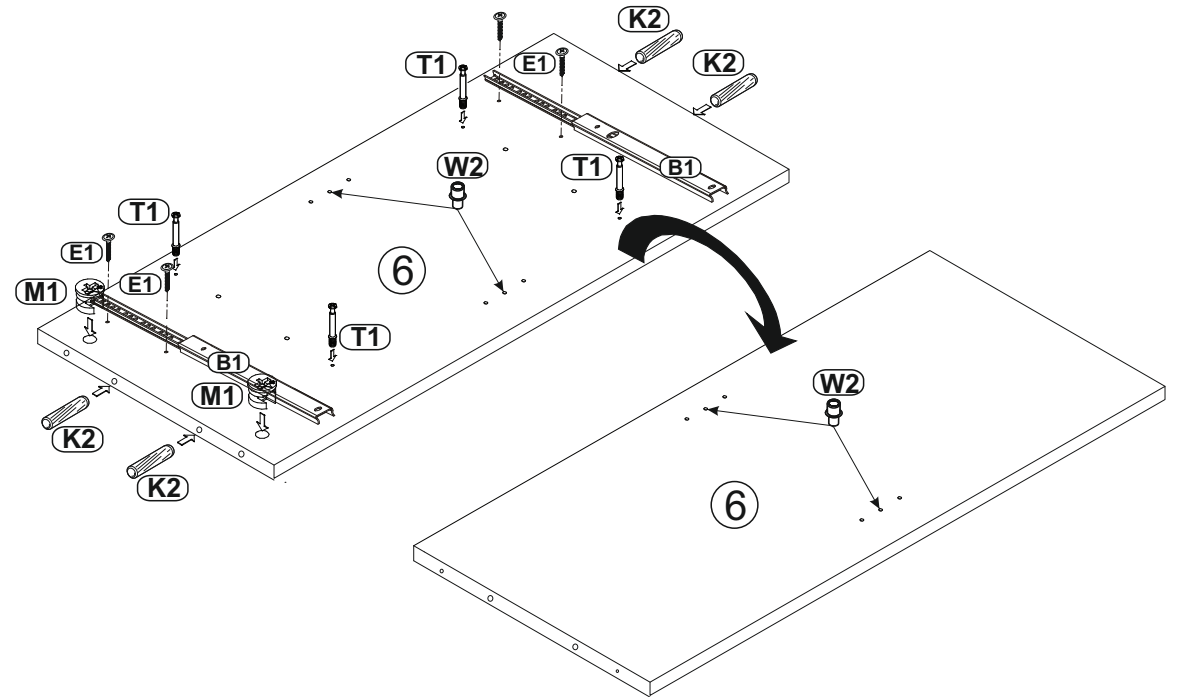
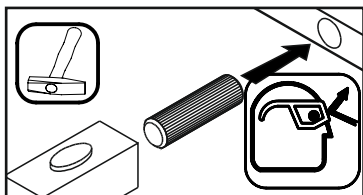
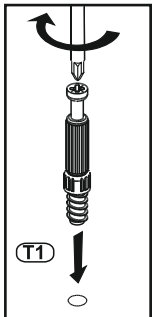
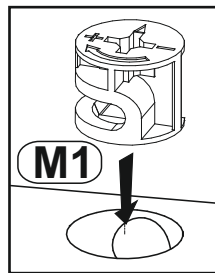
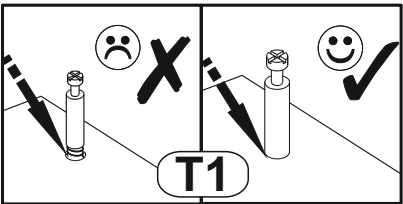
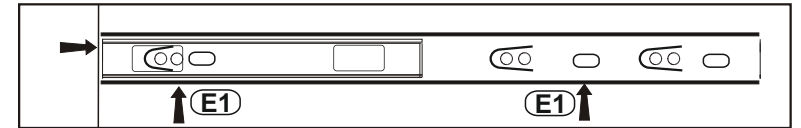
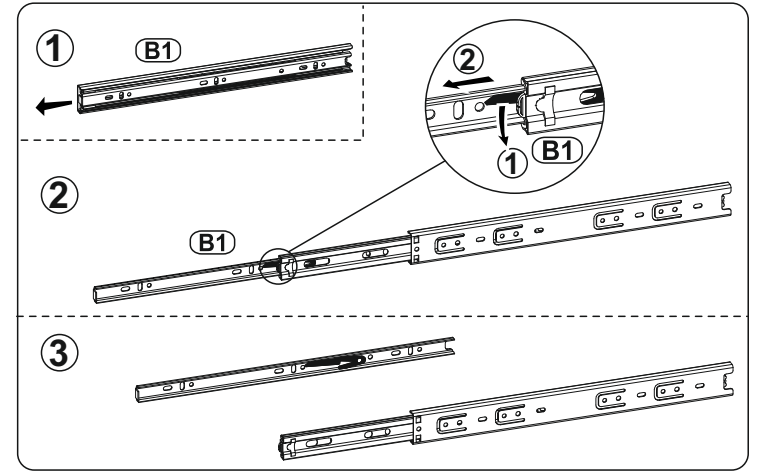
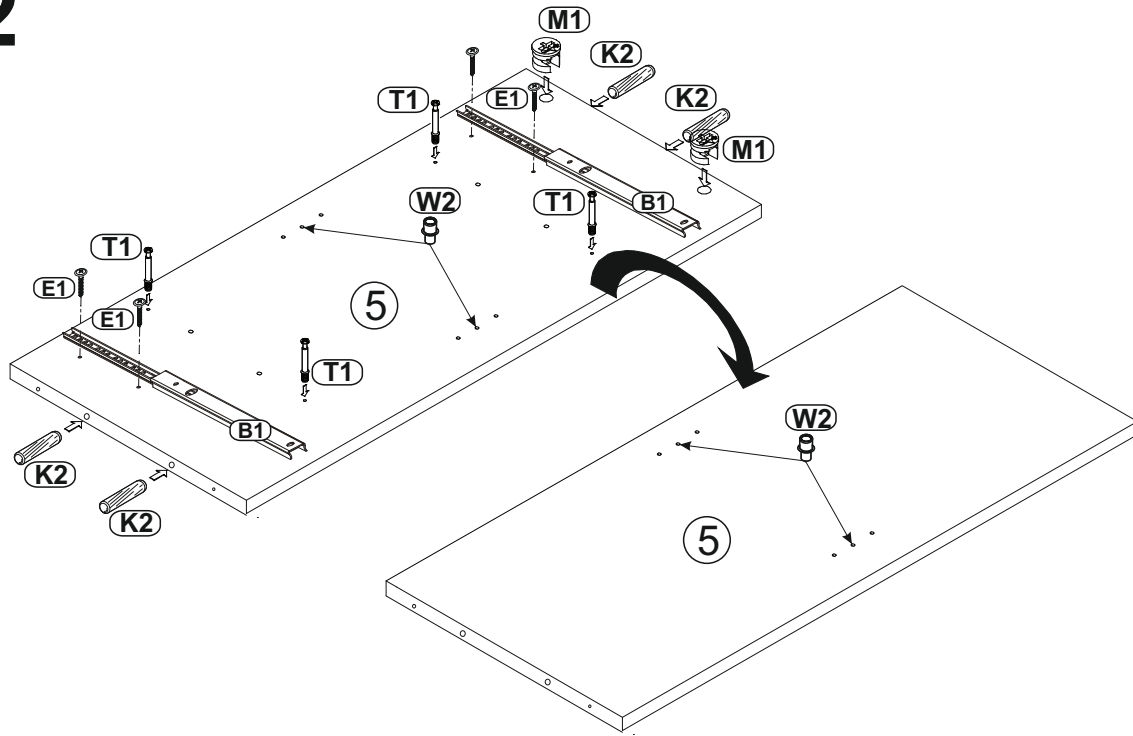
<b>B1</b>  x2	<b>E1</b>  UP 3,5x13 x16	<b>B5</b>  x2	<b>F1</b>  x1
---------------------	-----------------------------------	---------------------	---------------------



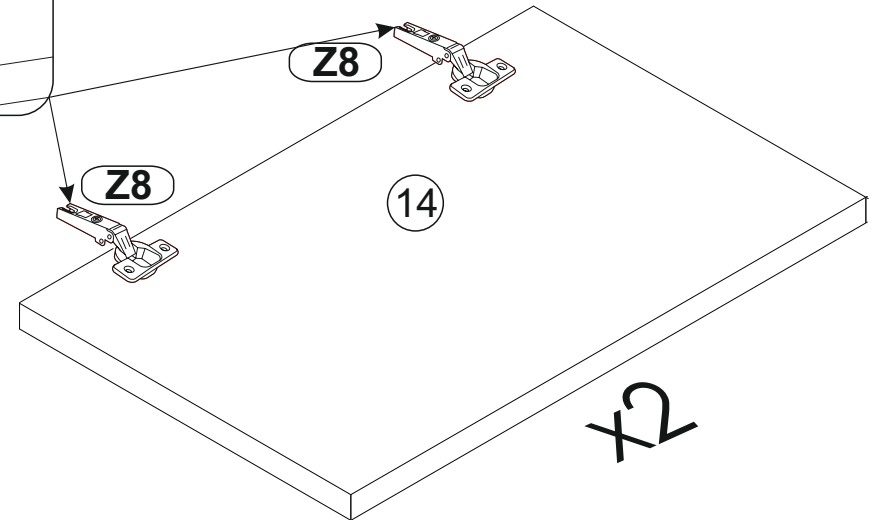
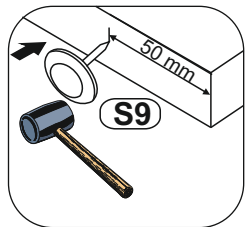
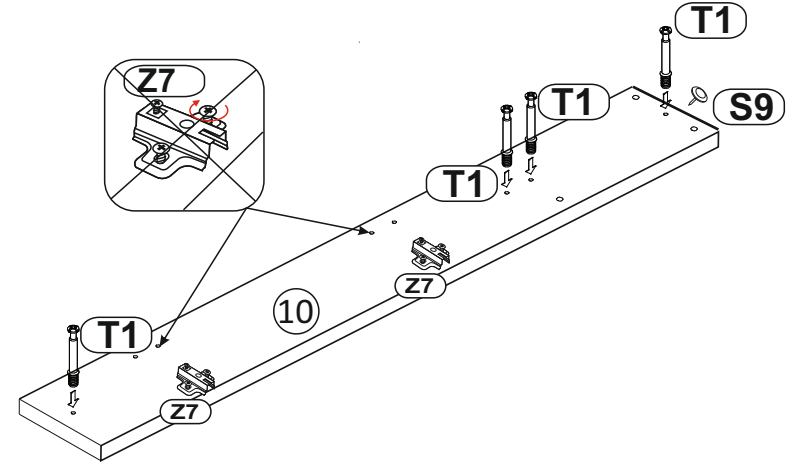
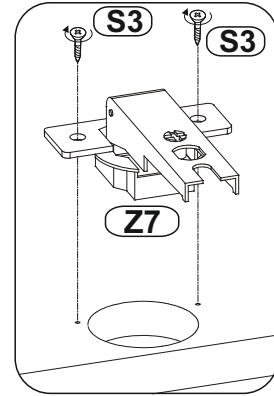
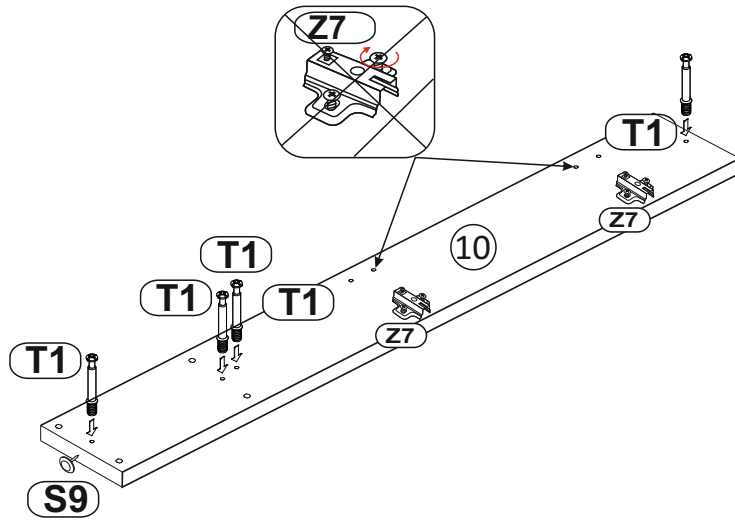
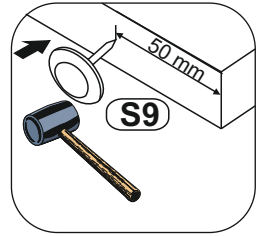
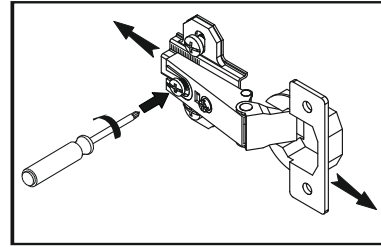
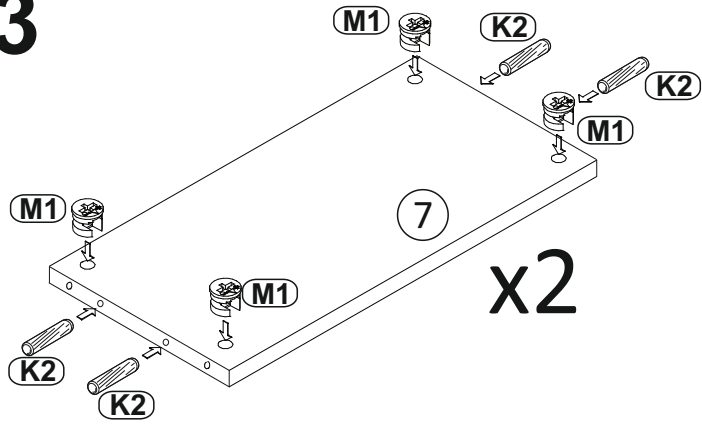
# 1



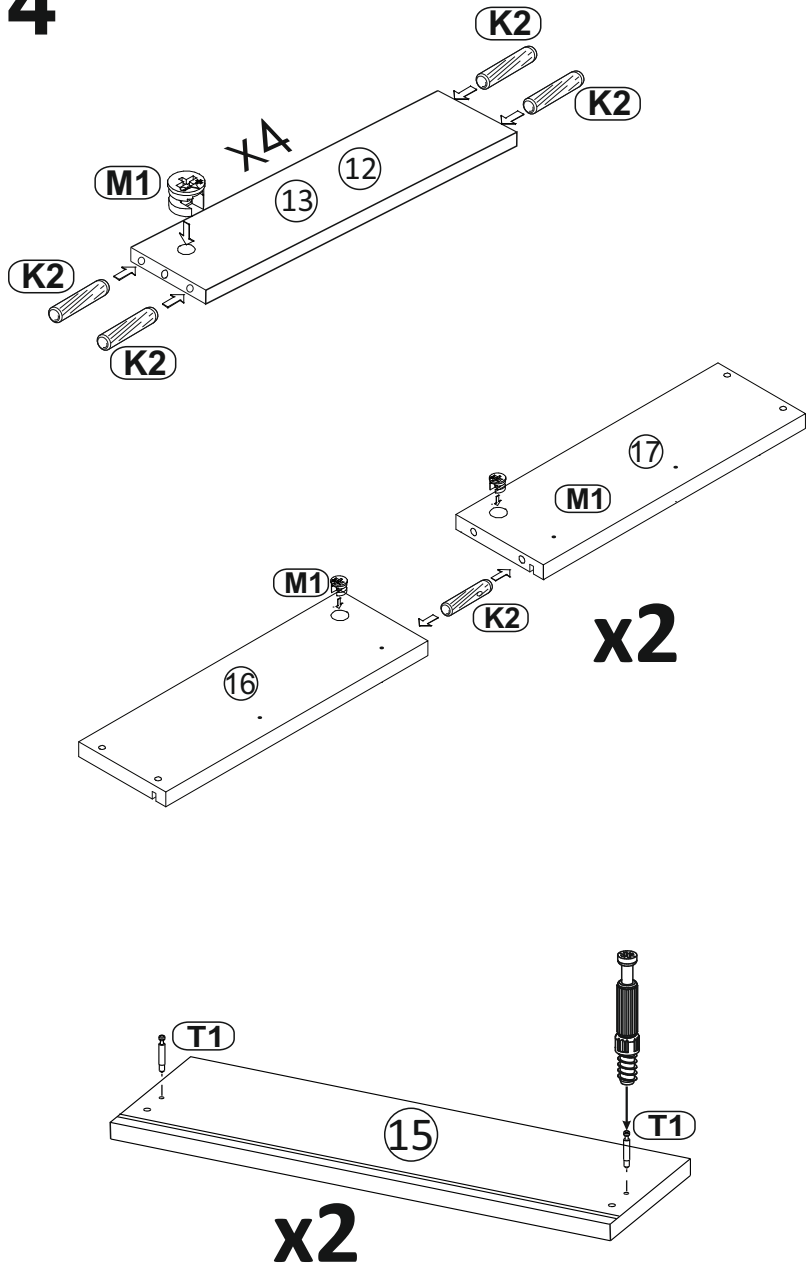
# 2



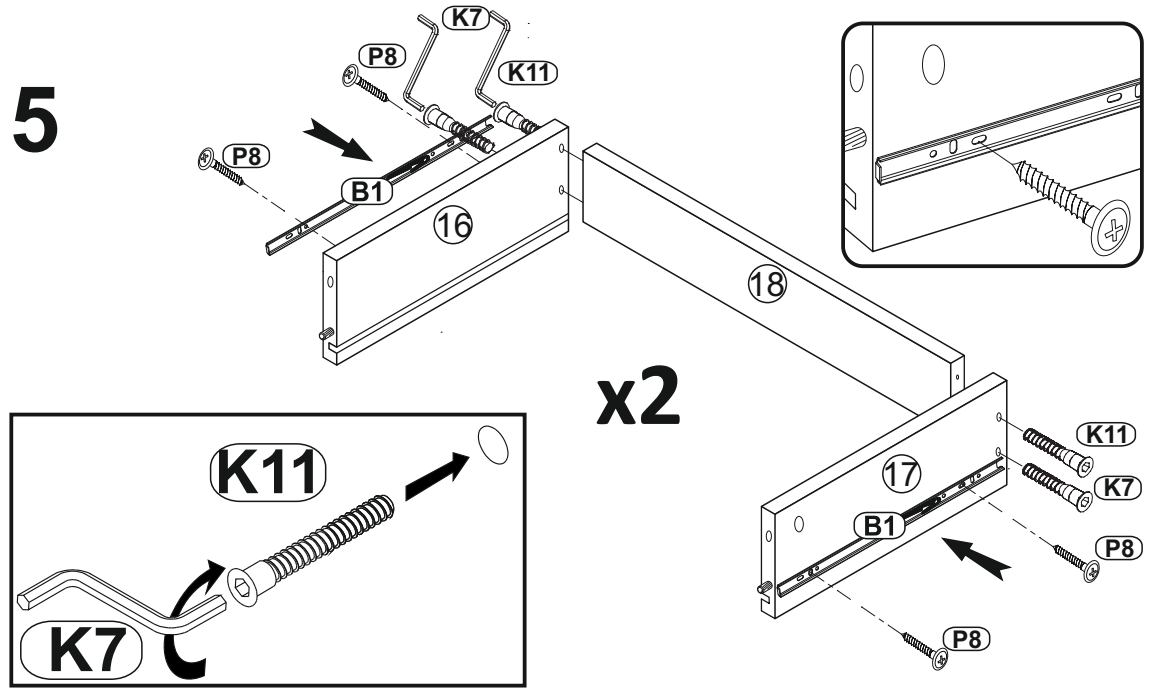
3



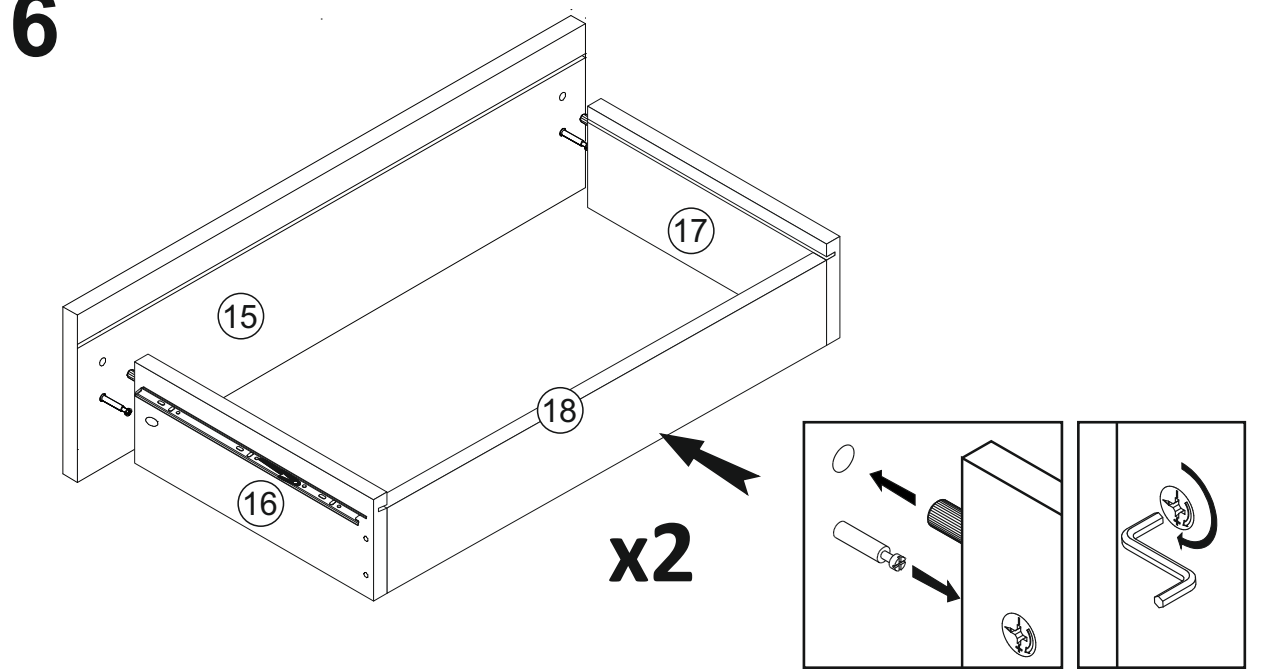
4



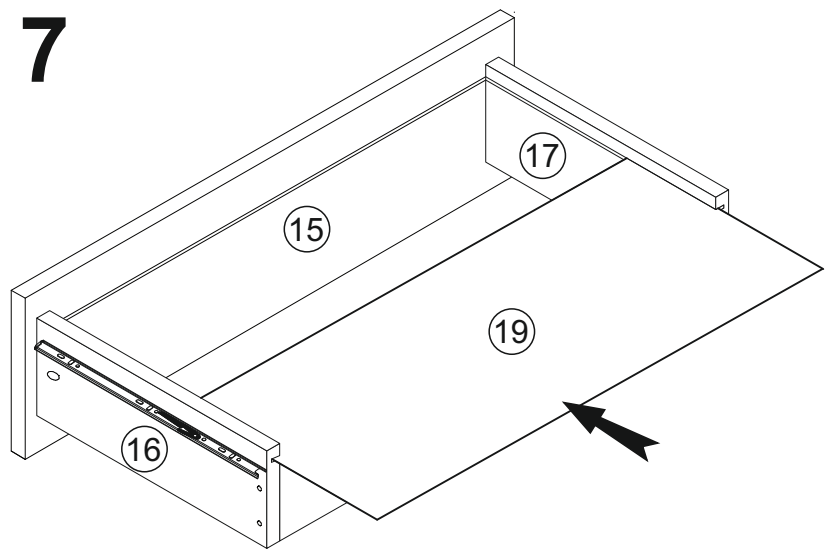
5



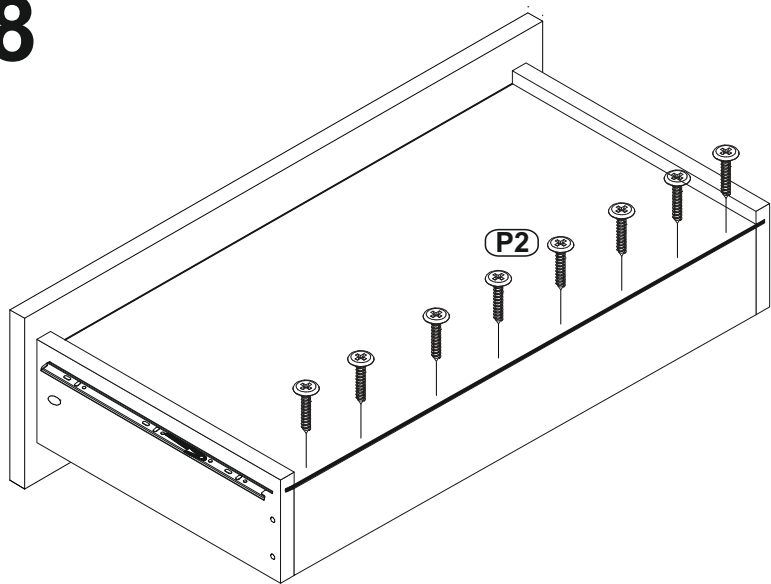
6



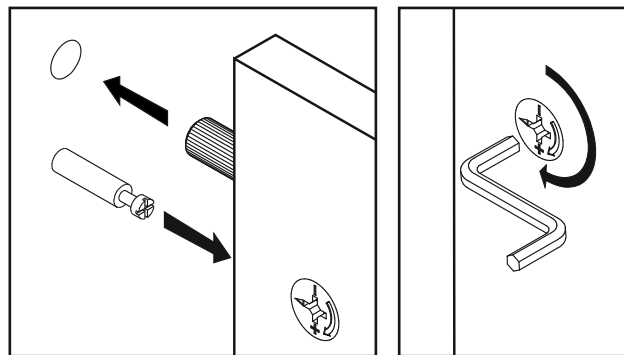
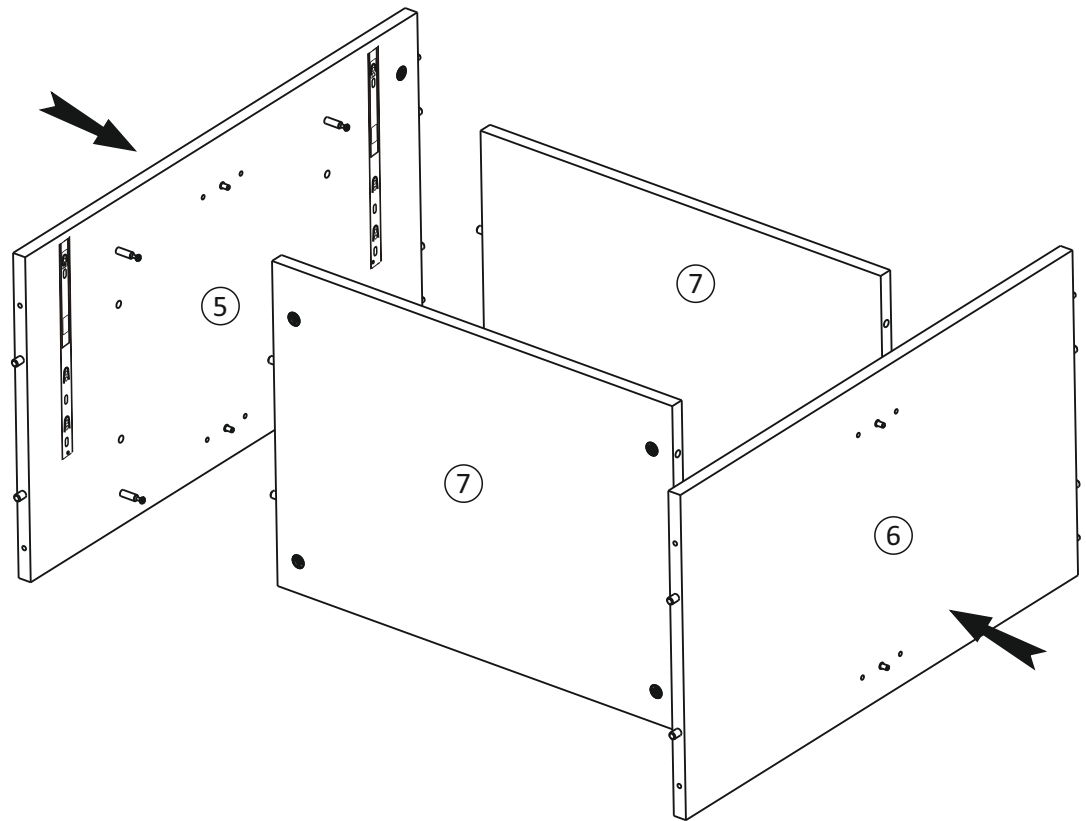
7



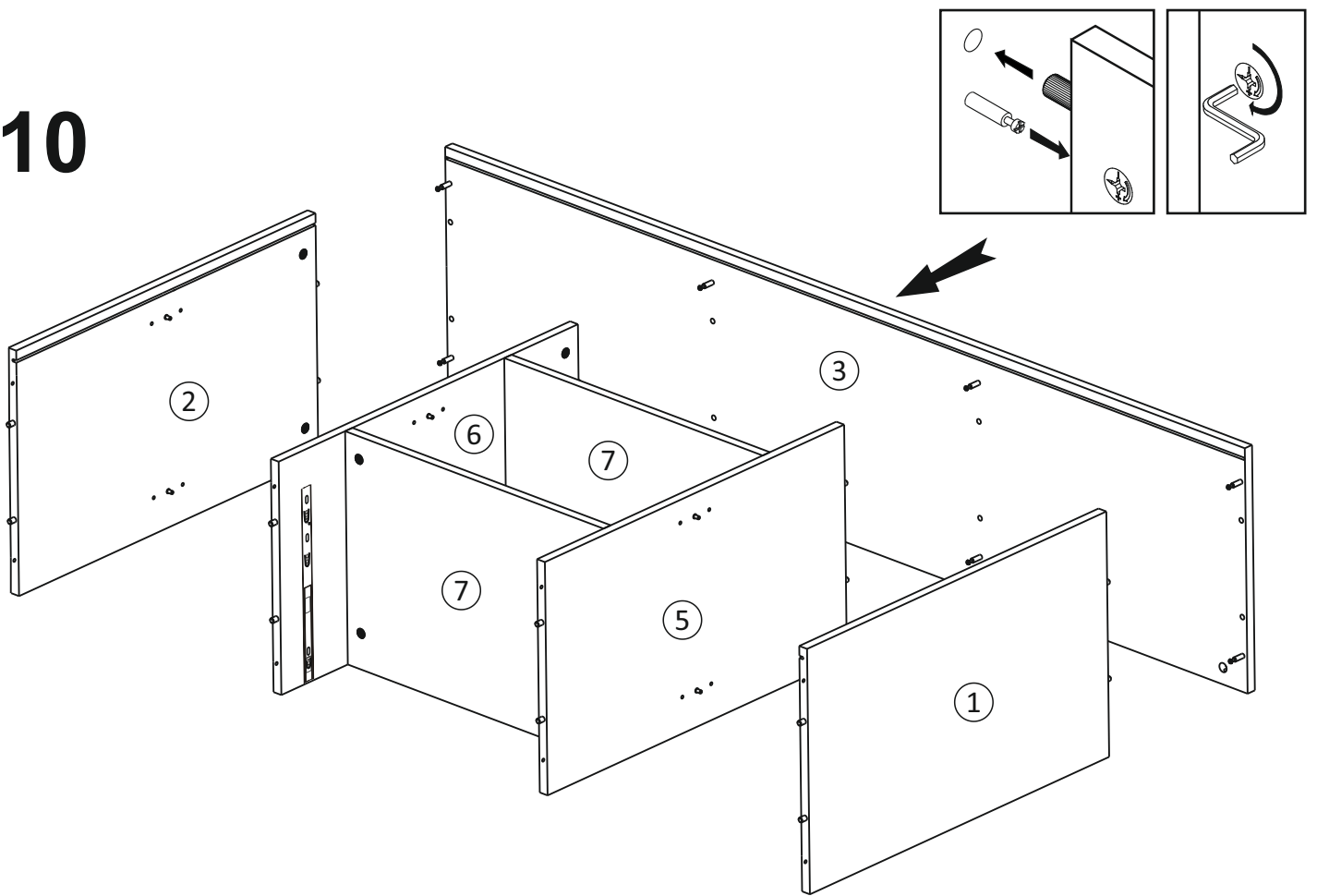
8



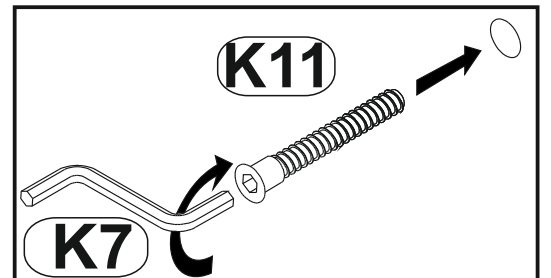
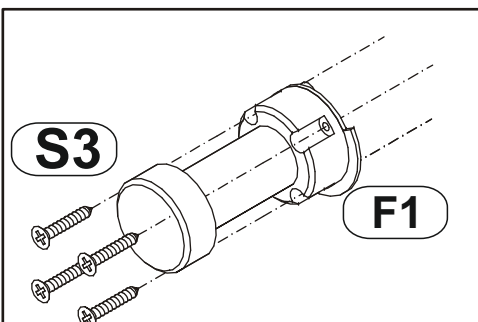
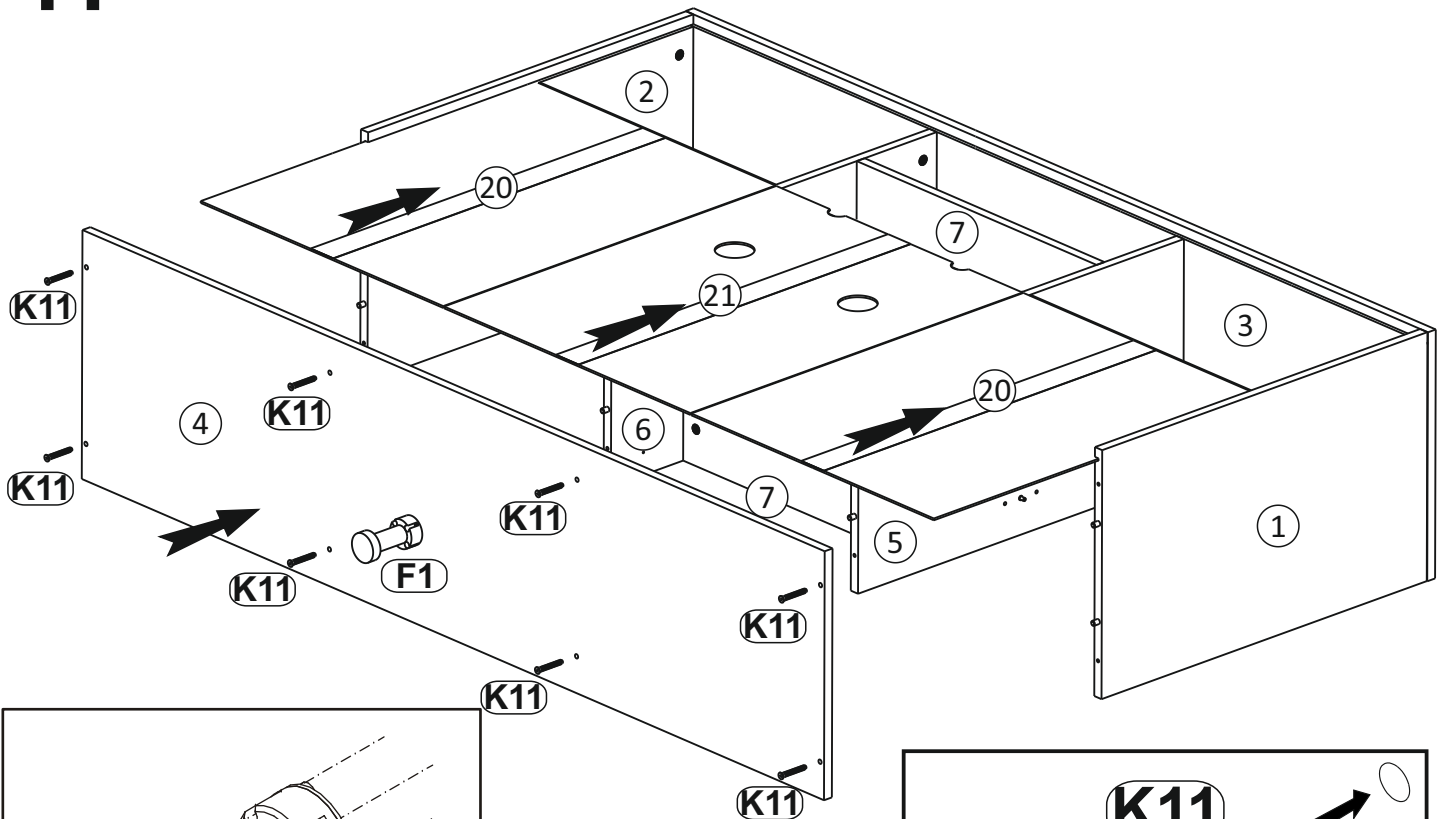
9



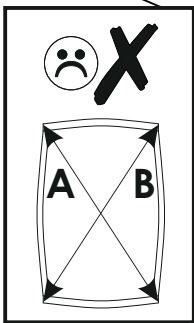
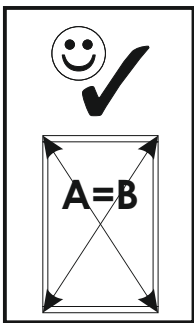
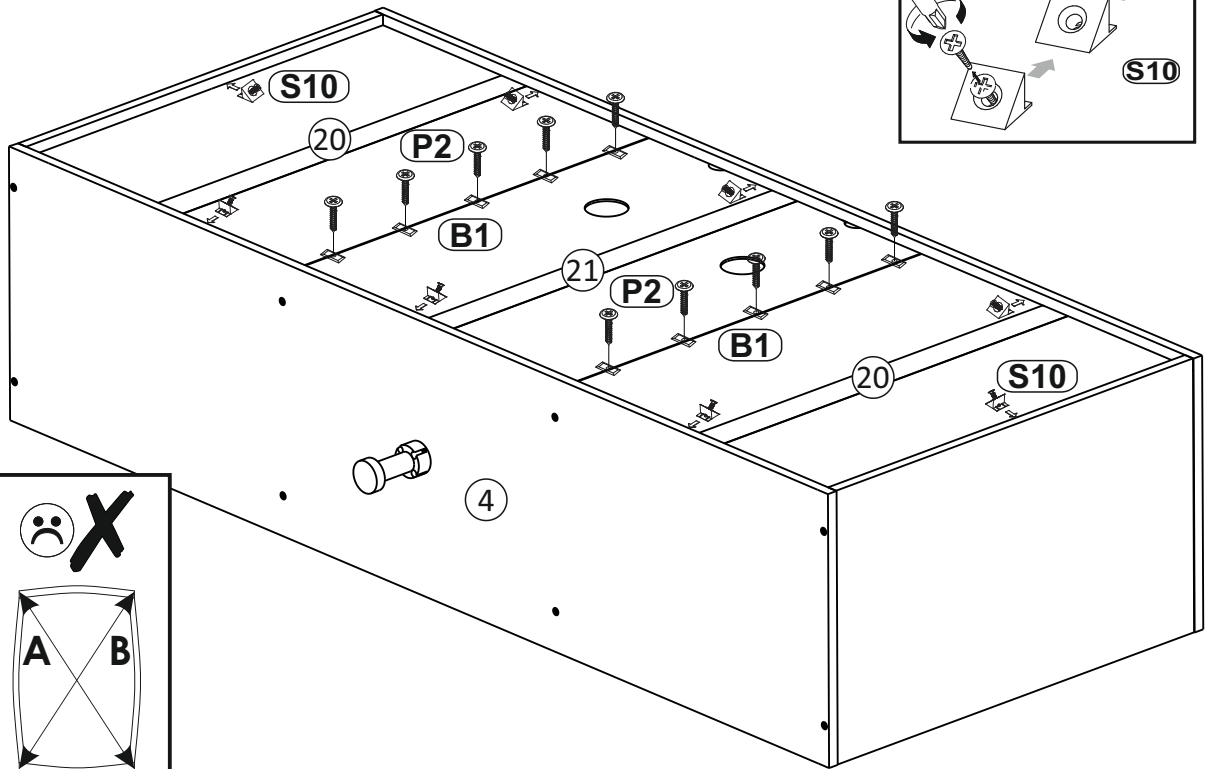
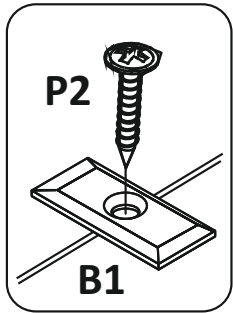
# 10



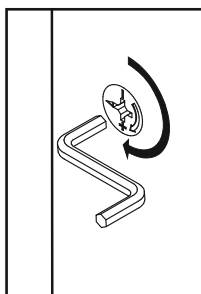
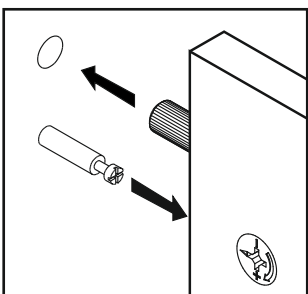
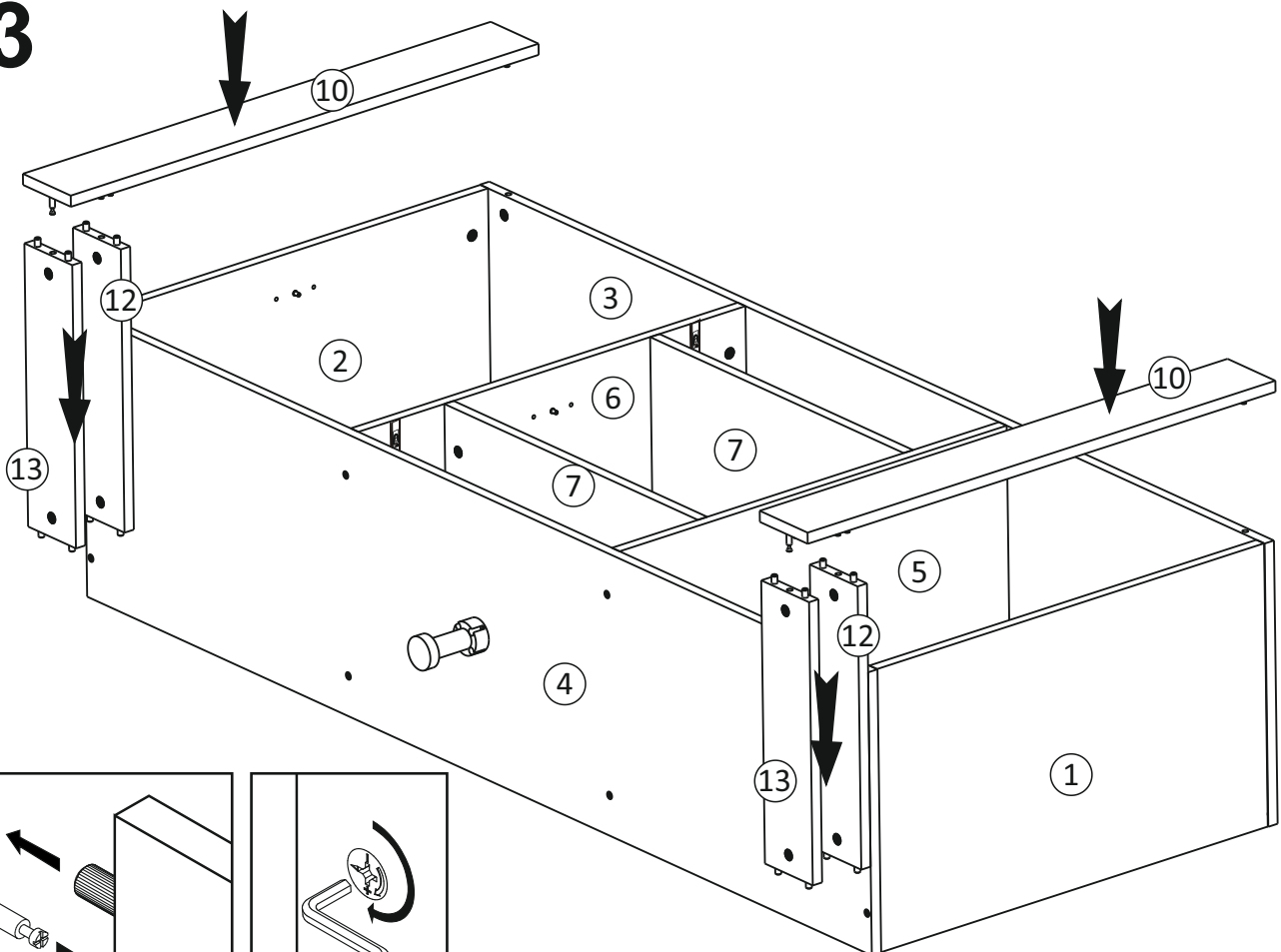
# 11



# 12

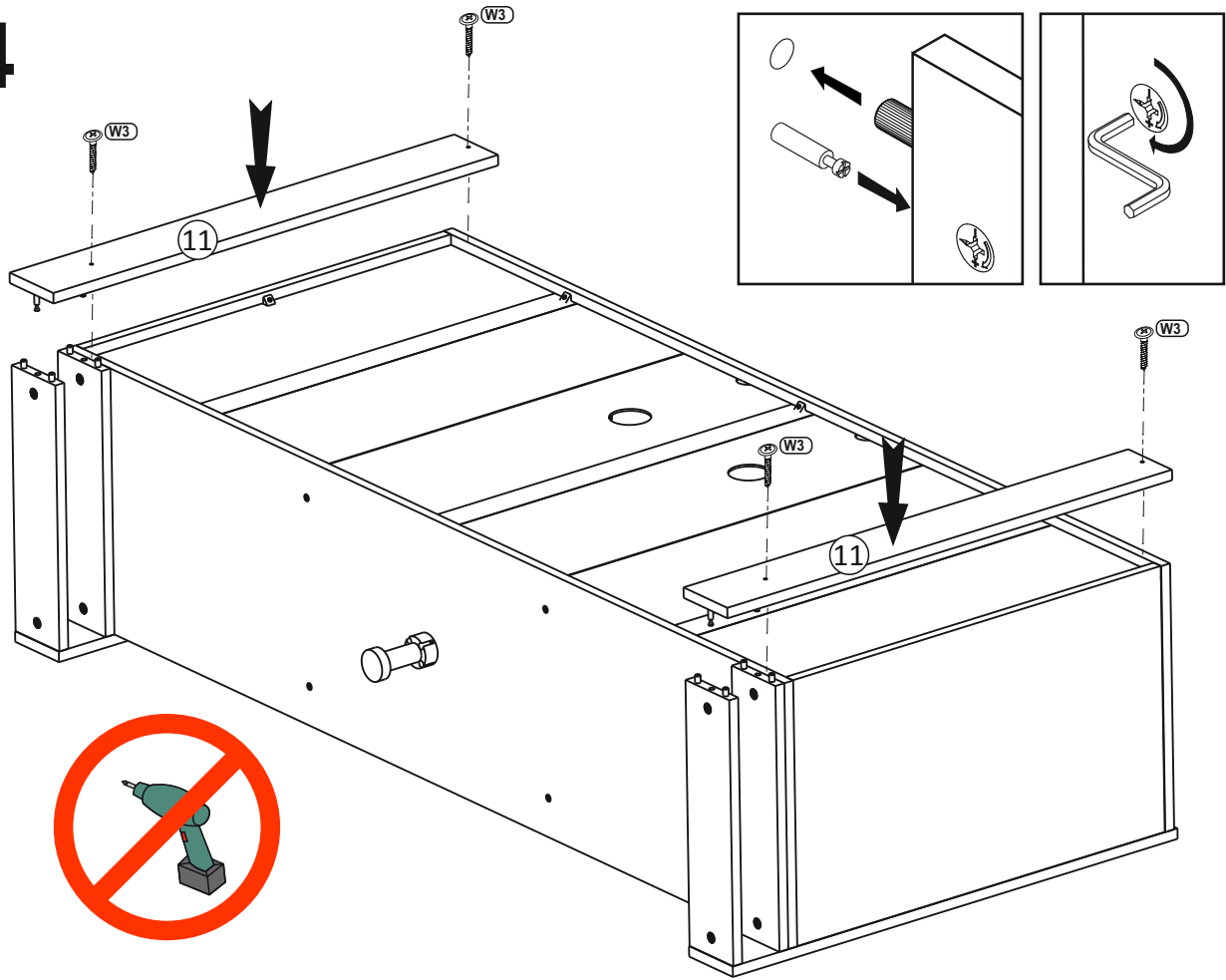


# 13

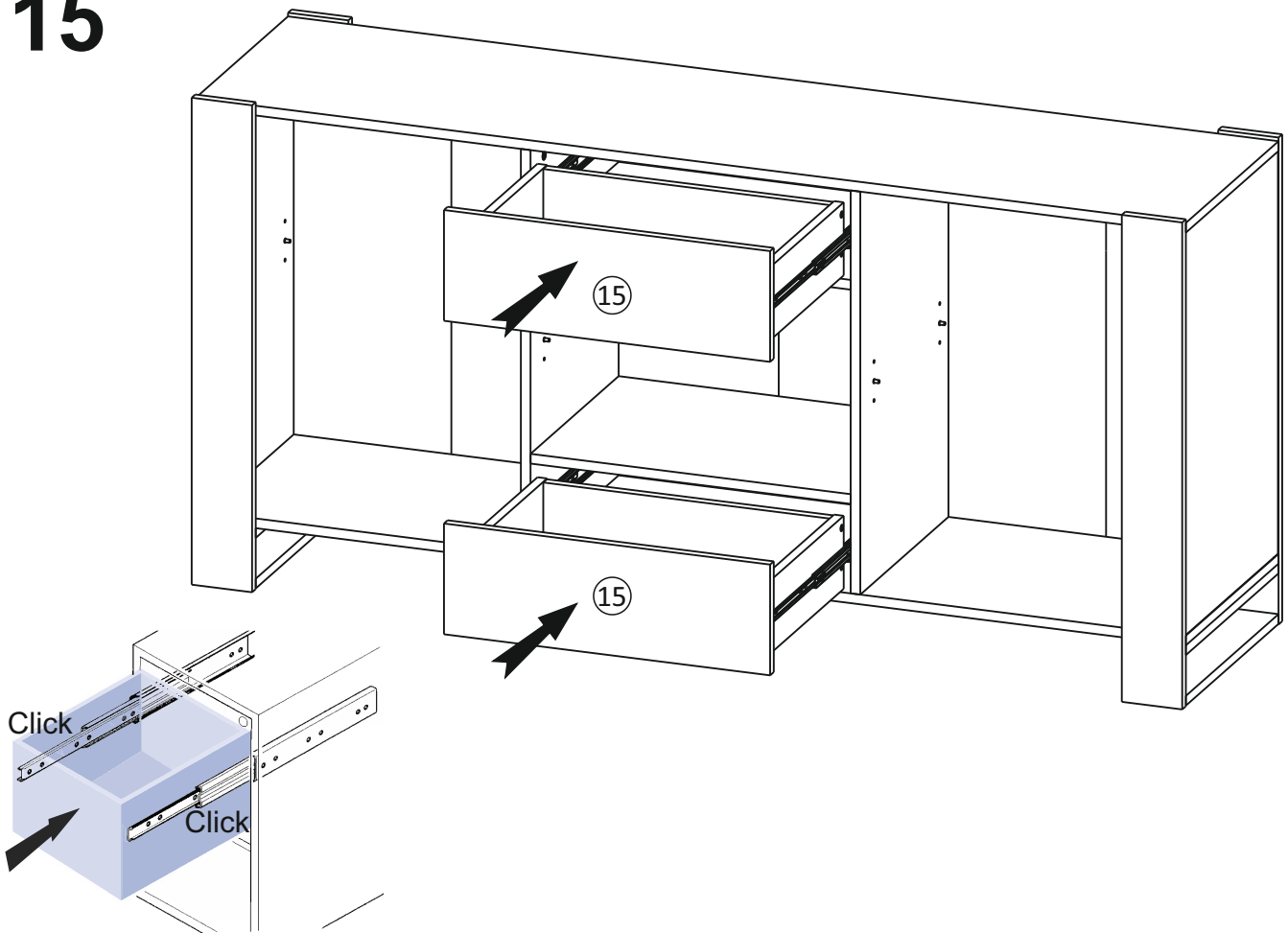




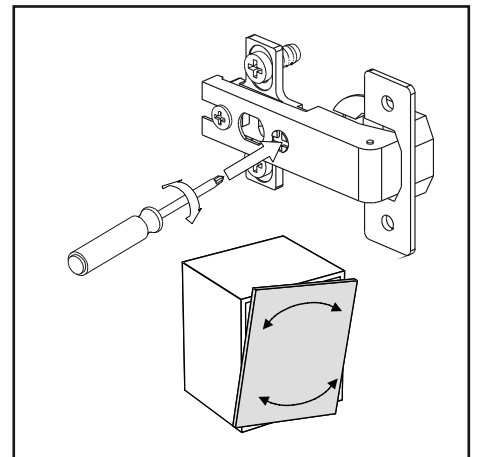
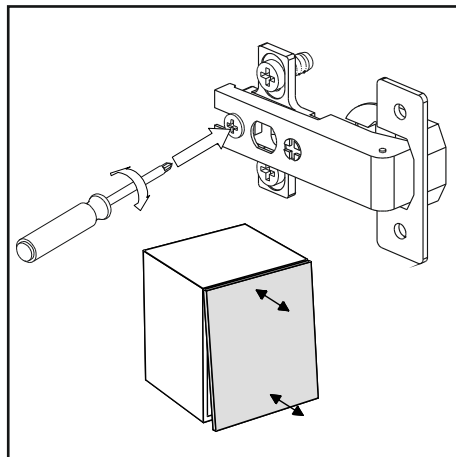
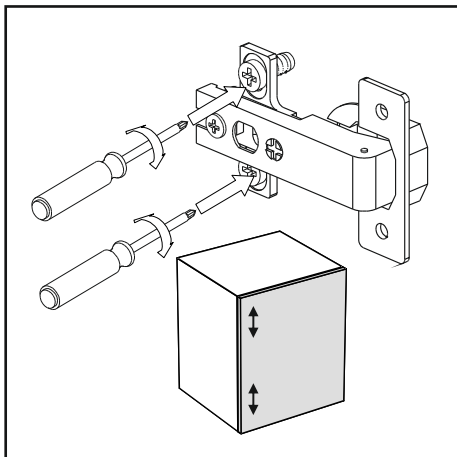
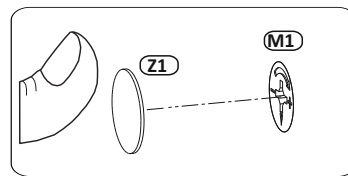
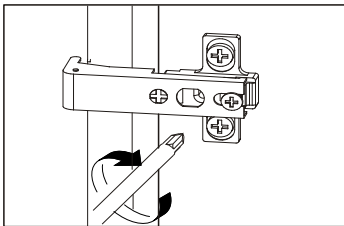
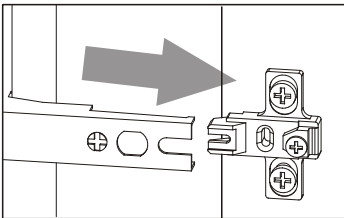
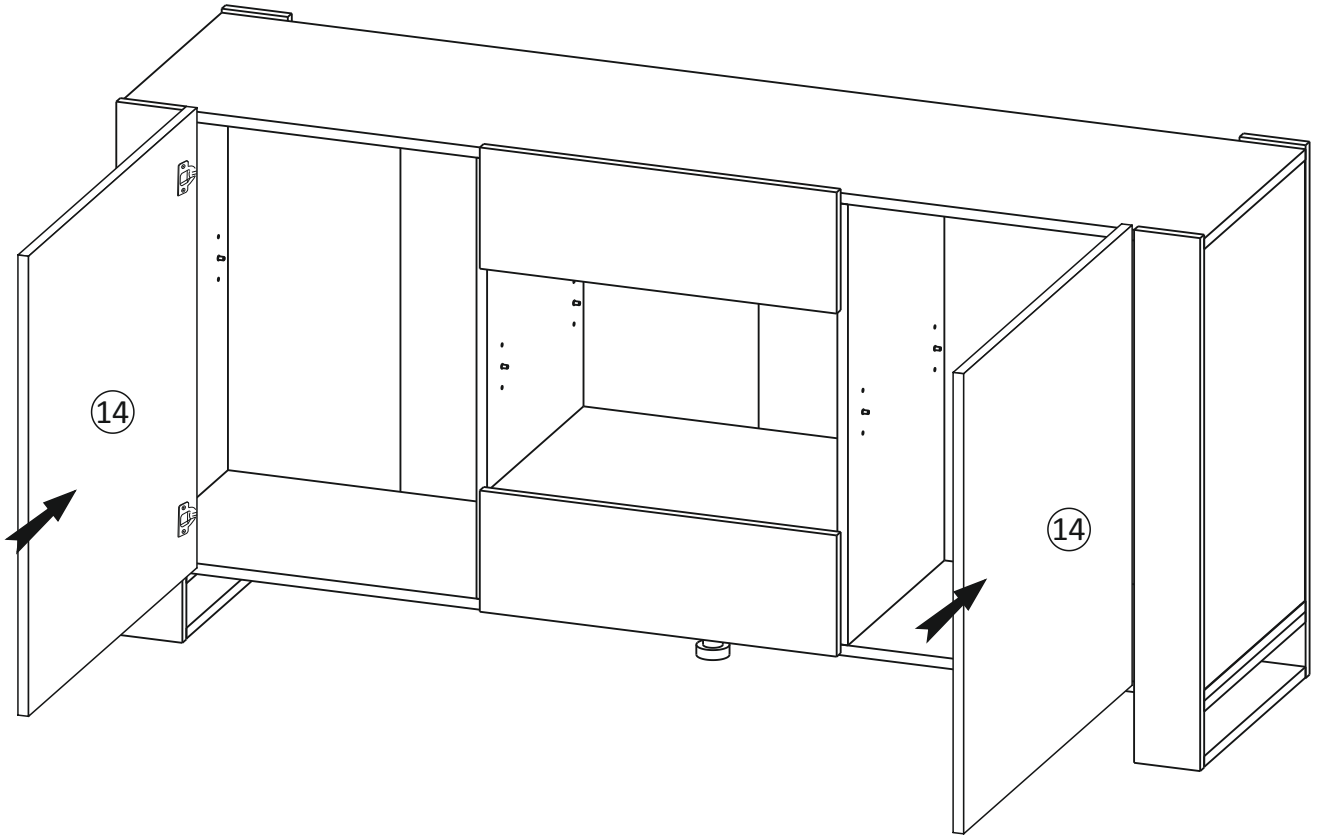
# 14



# 15



# 16



# 17

