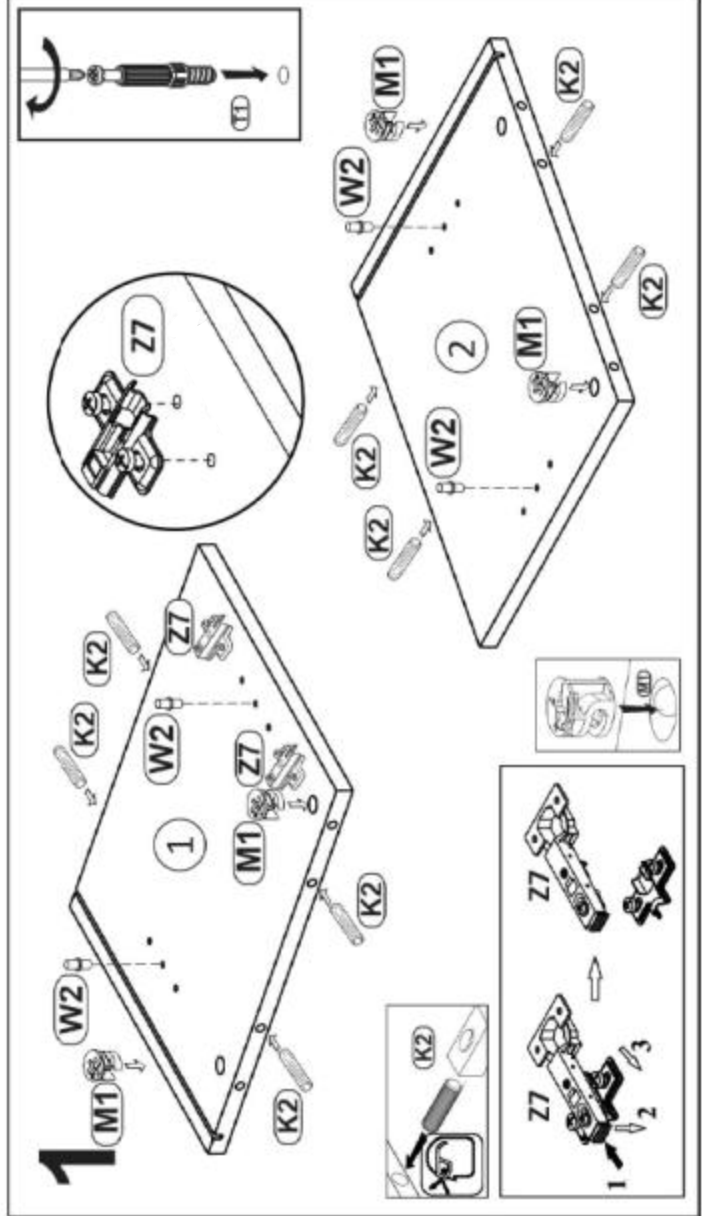
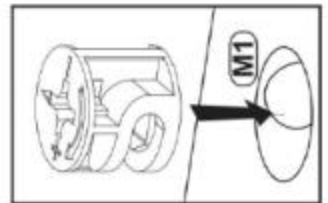
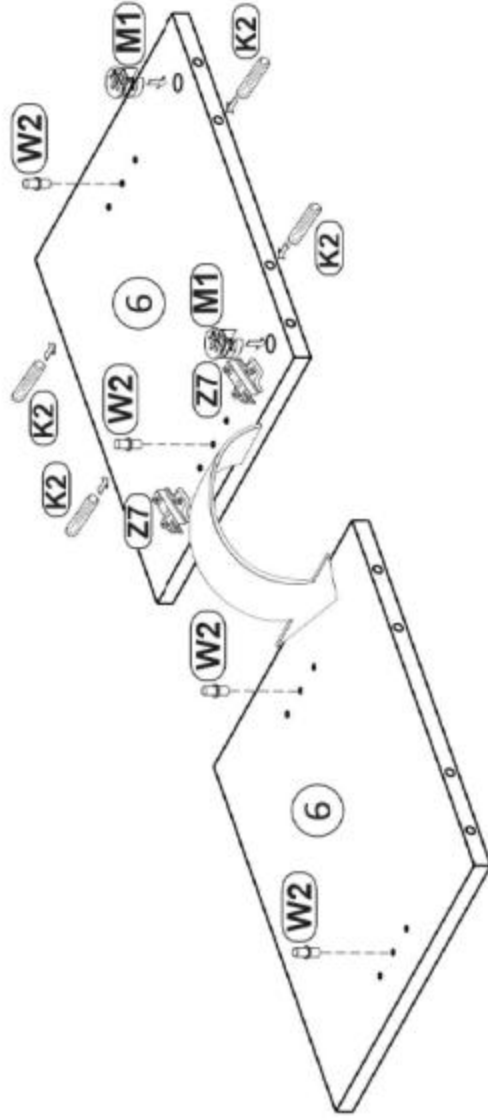
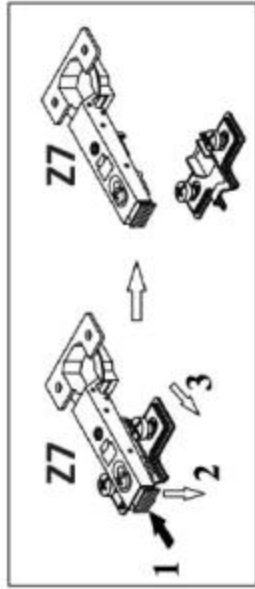
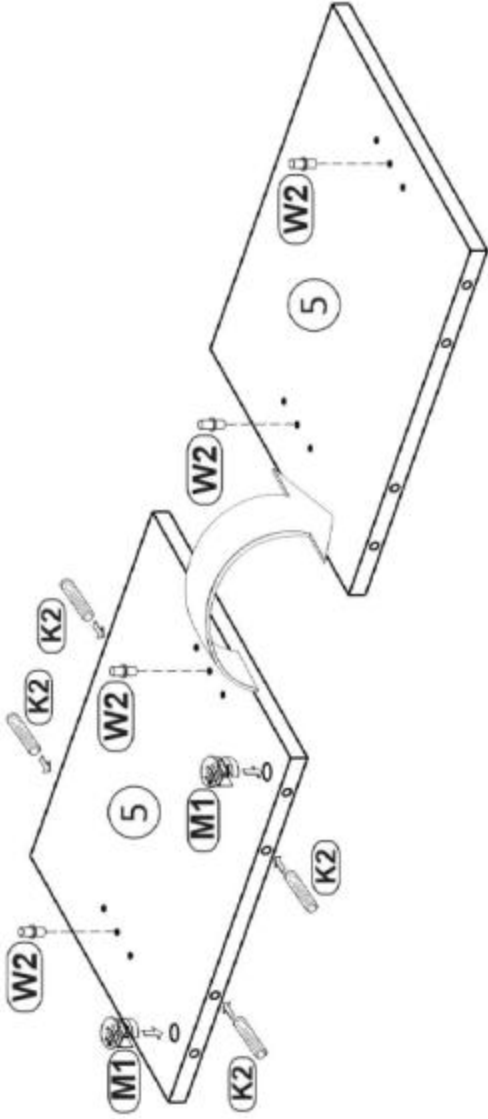
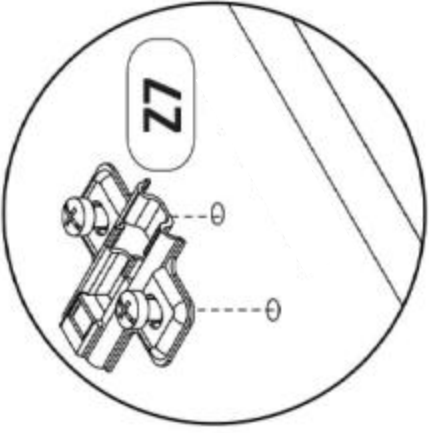


- | | | |
|---|-------|------------|
| 1 | (K2) | x16 |
| | (T1) | x8 |
| | (M1) | x8 |
| | (S10) | US 3x18 x8 |
| | (P2) | 3,5x18 x6 |
| | (K7) | x1 |
| | (K11) | x8 |
| | (W2) | x12 |
| | (Z2) | x8 |
| 2 | (Z7) | x4 |
| | (S3) | 4x13 x8 |
| 3 | (ST1) | x6 |
| | (P3) | 3,5x18 x24 |
| 4 | (B5) | x1 |

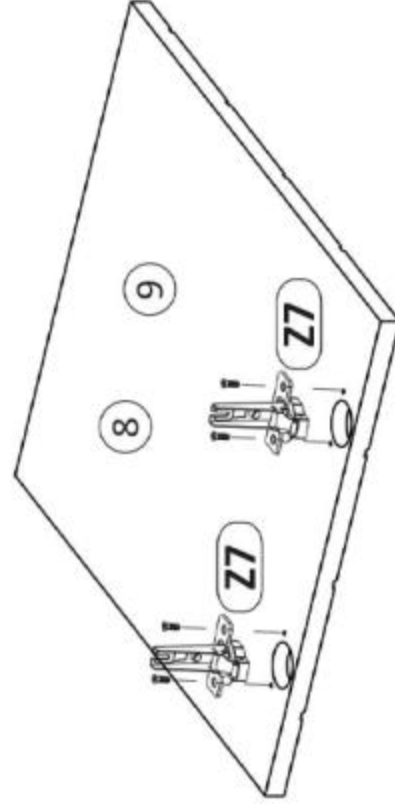
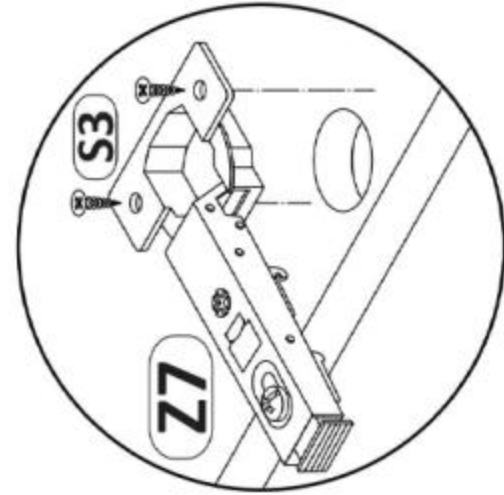
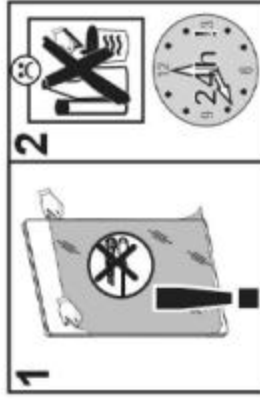
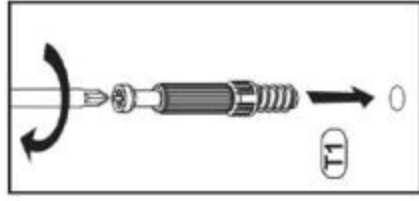
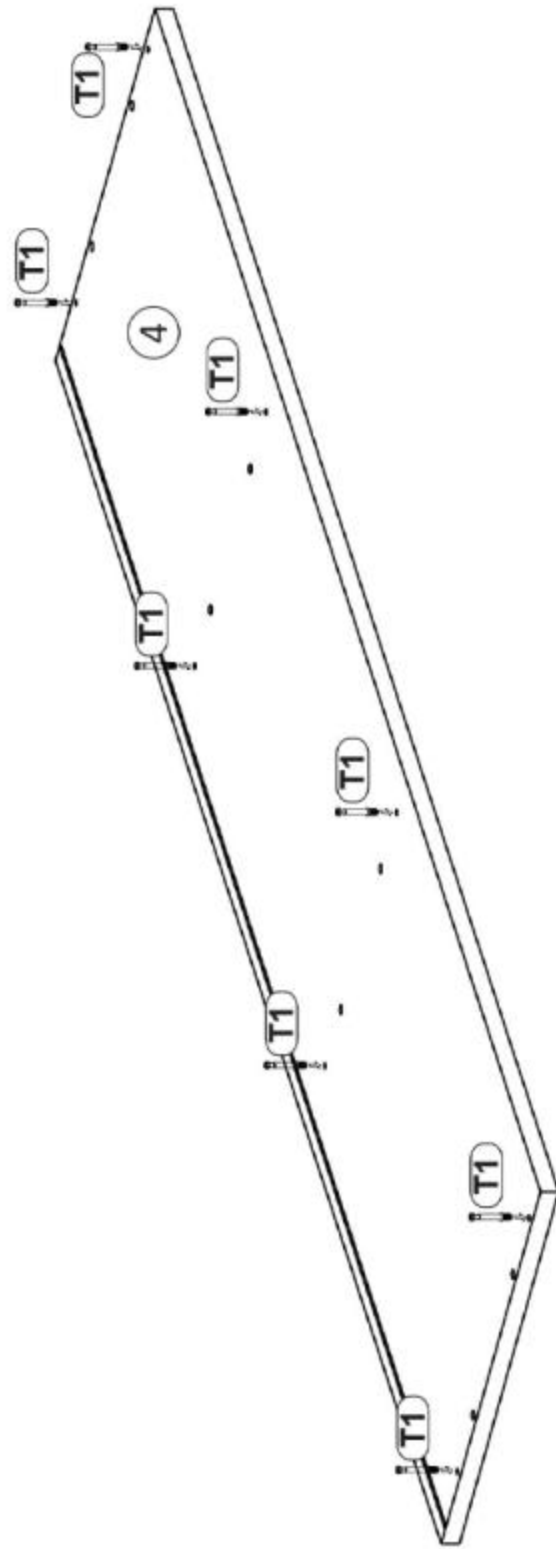


2

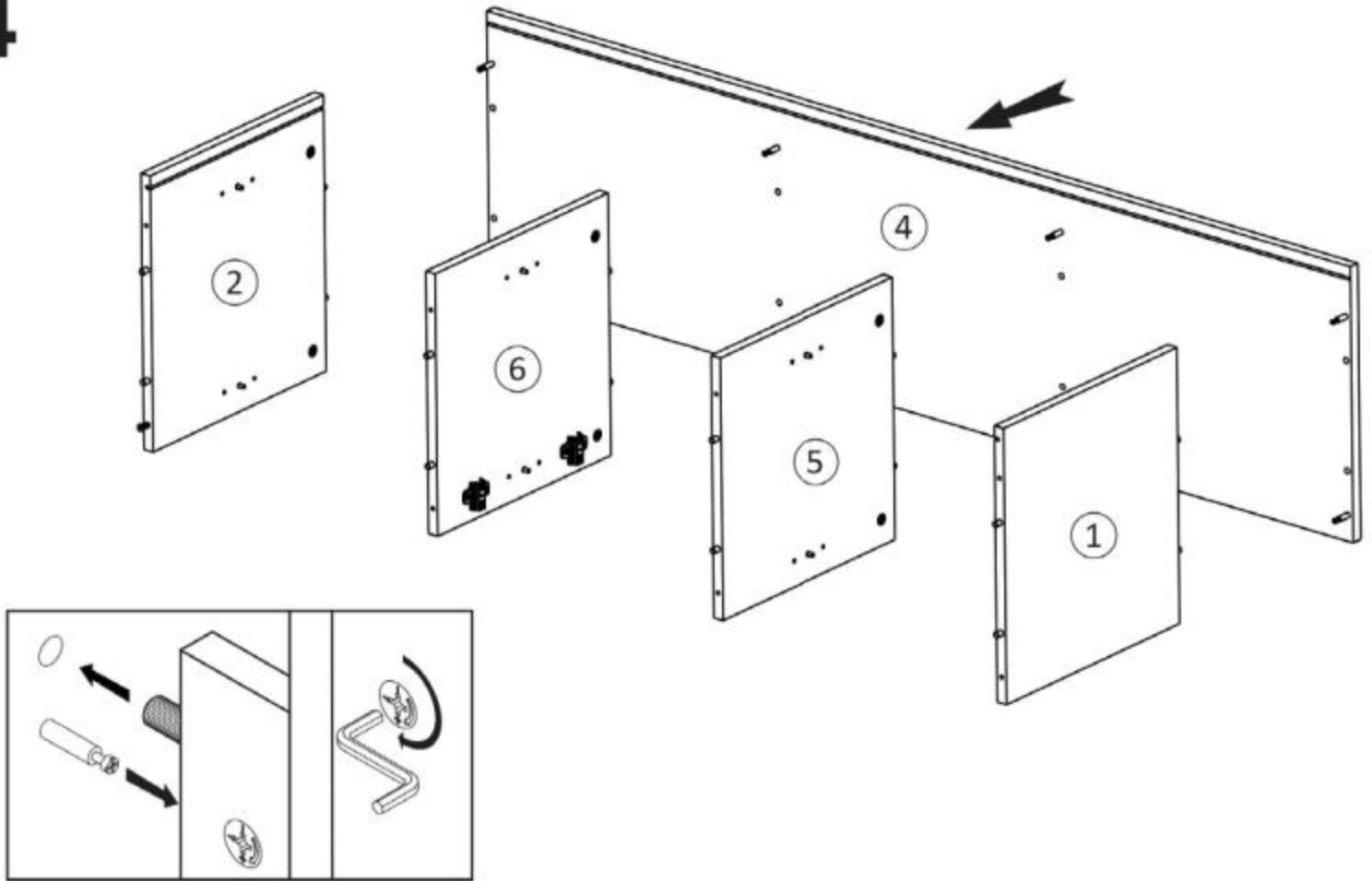
2/7



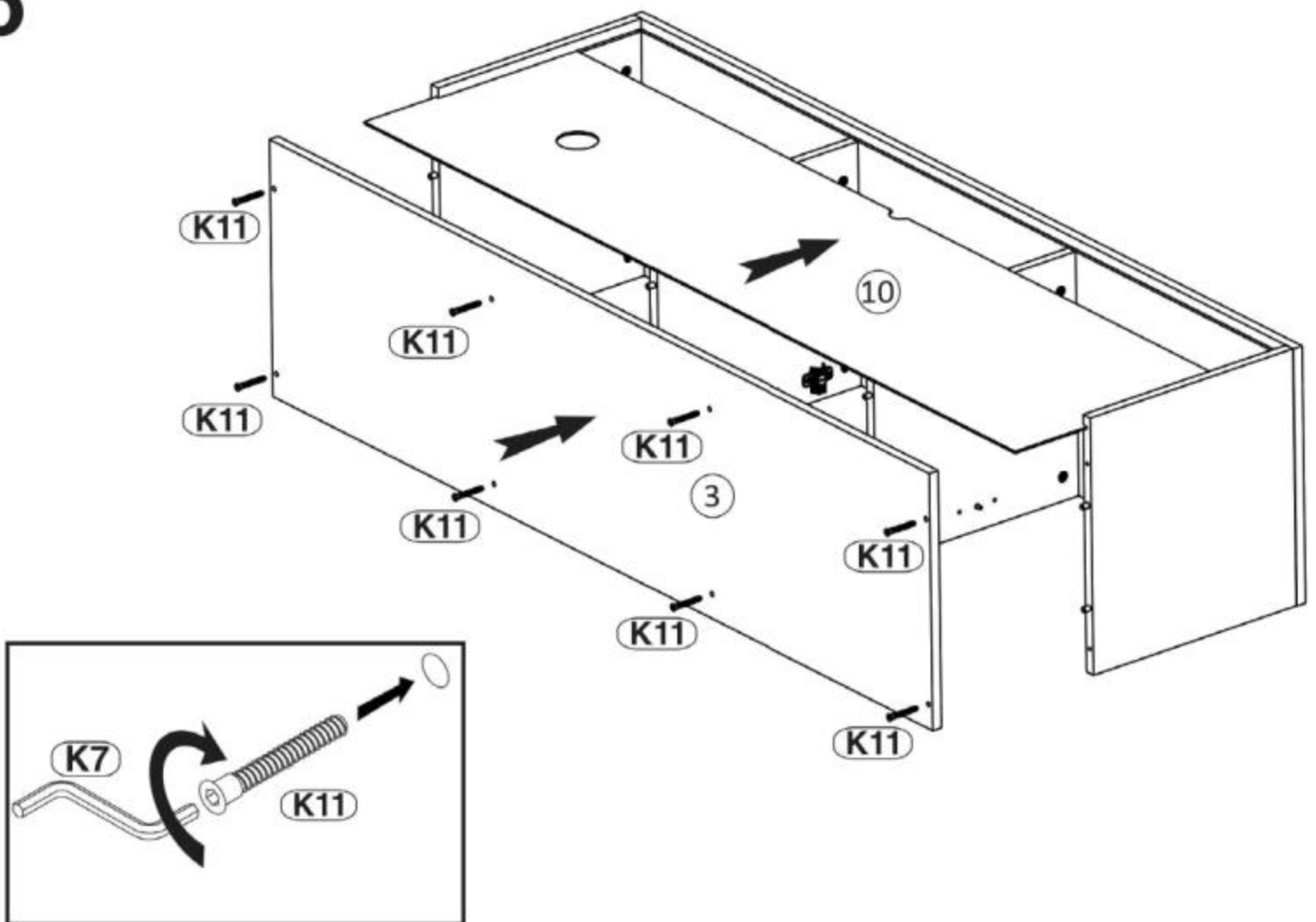
3



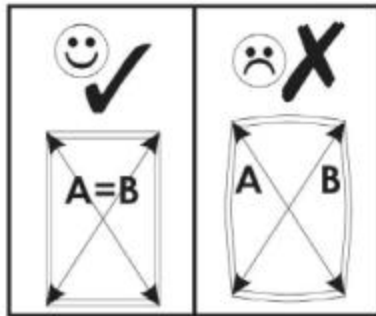
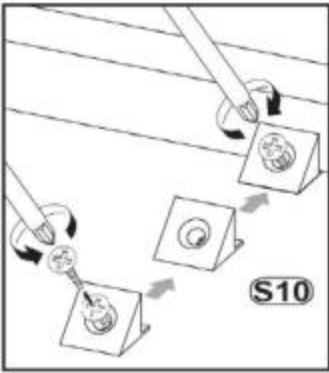
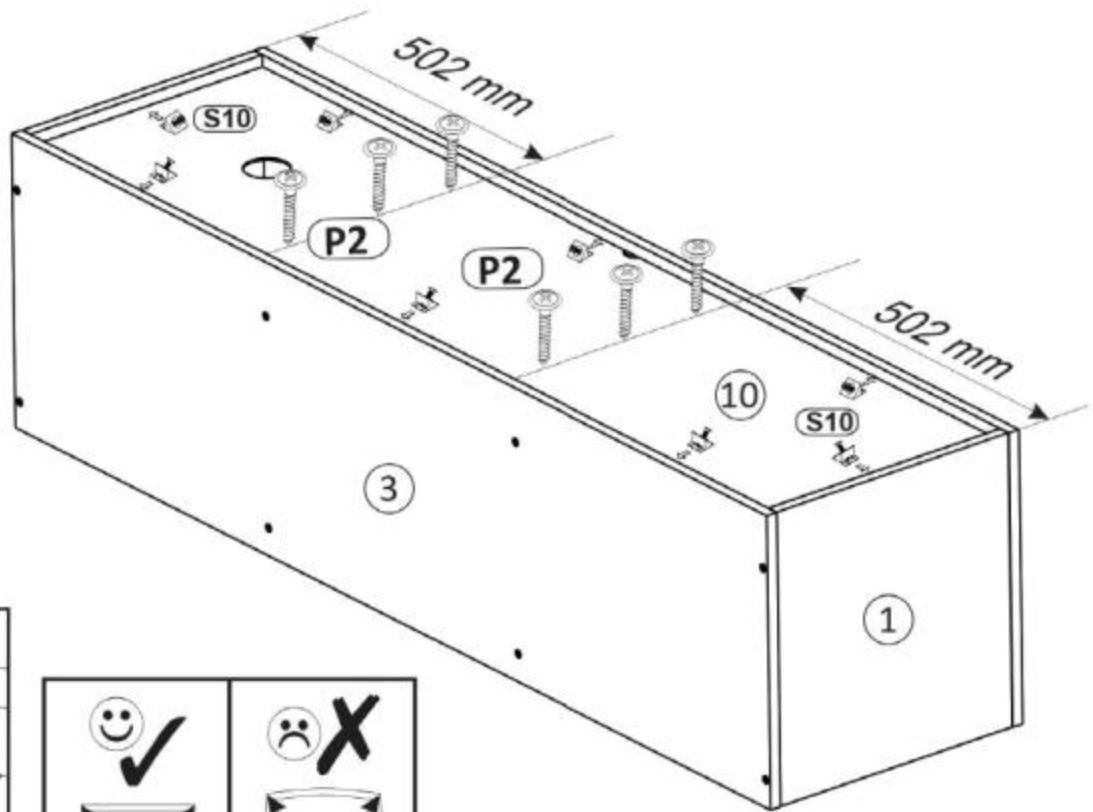
4



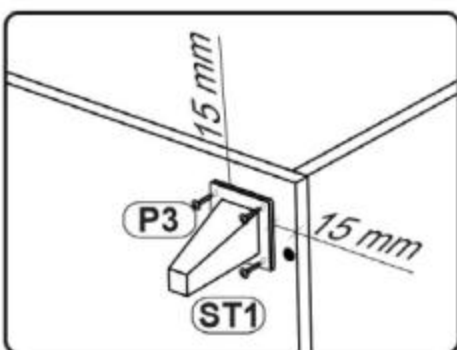
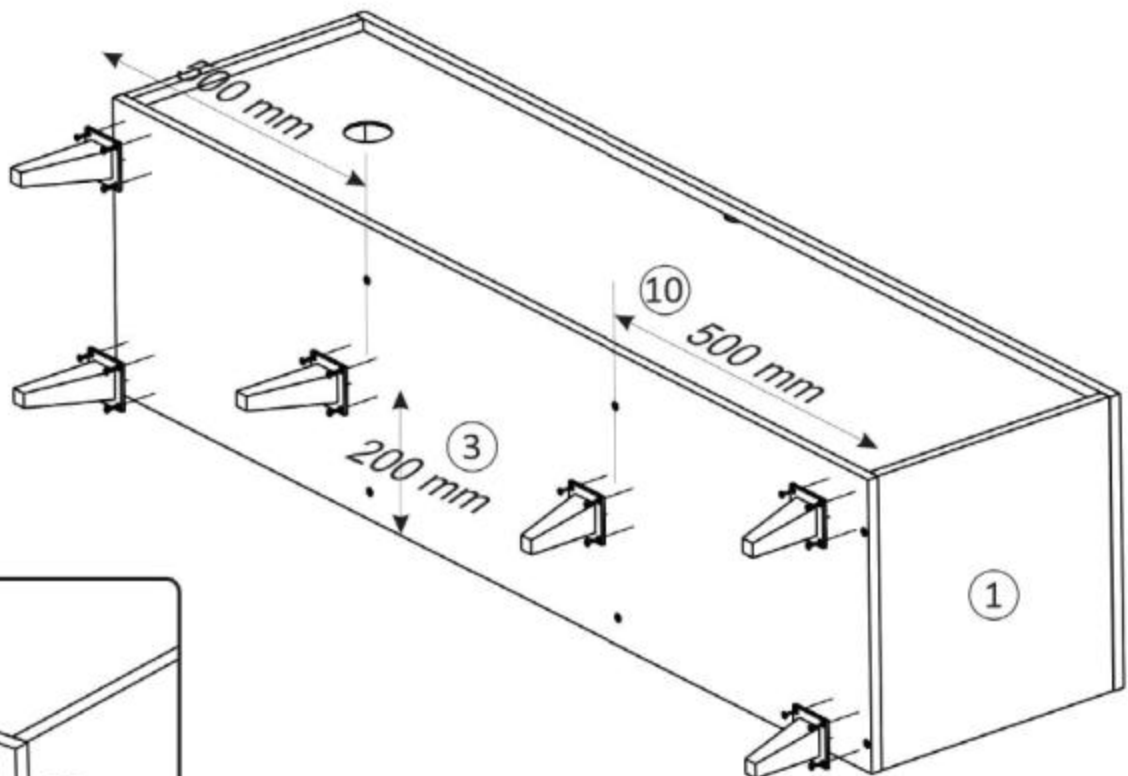
5



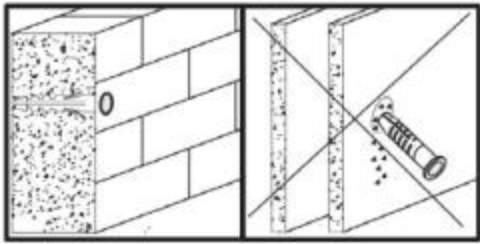
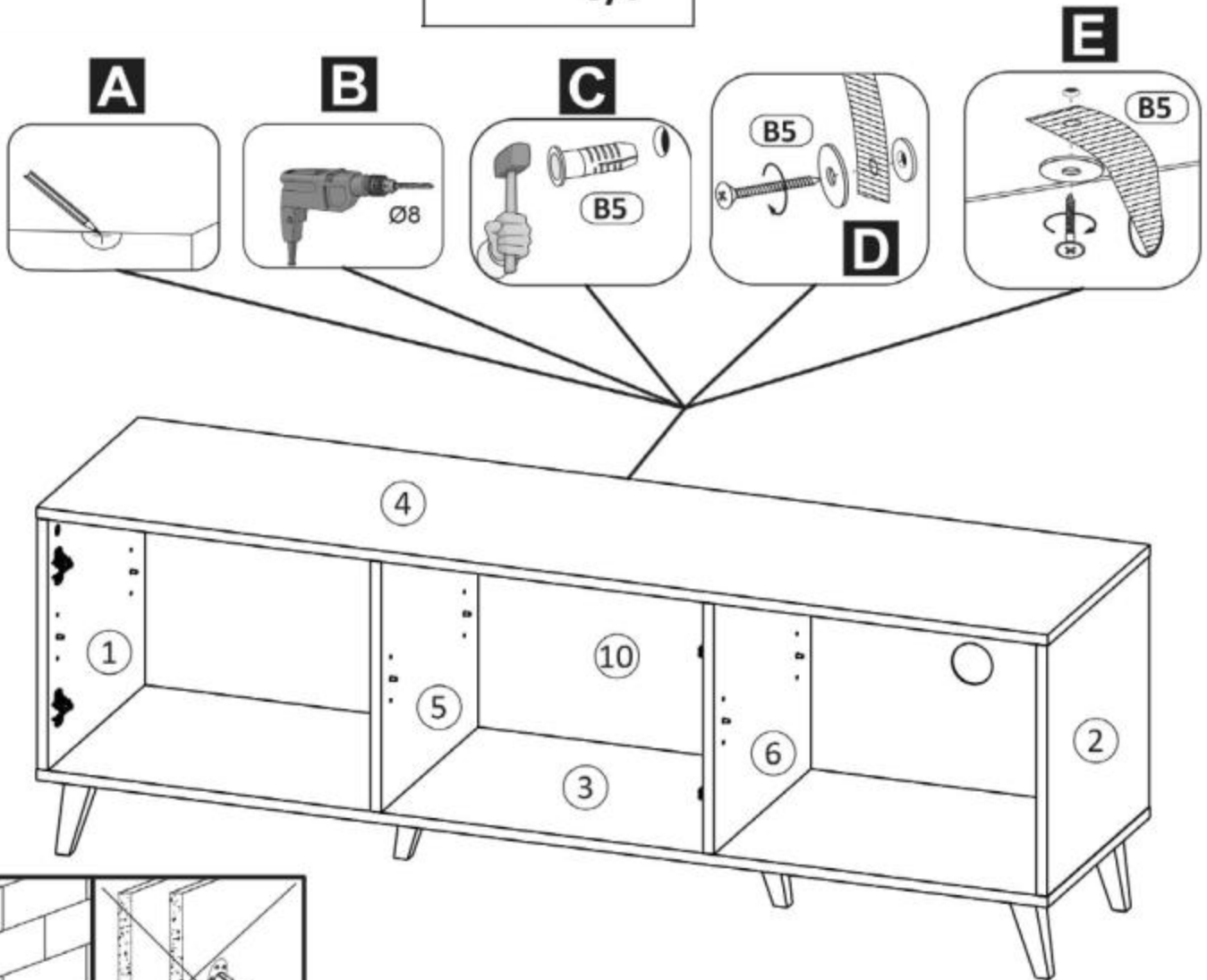
6



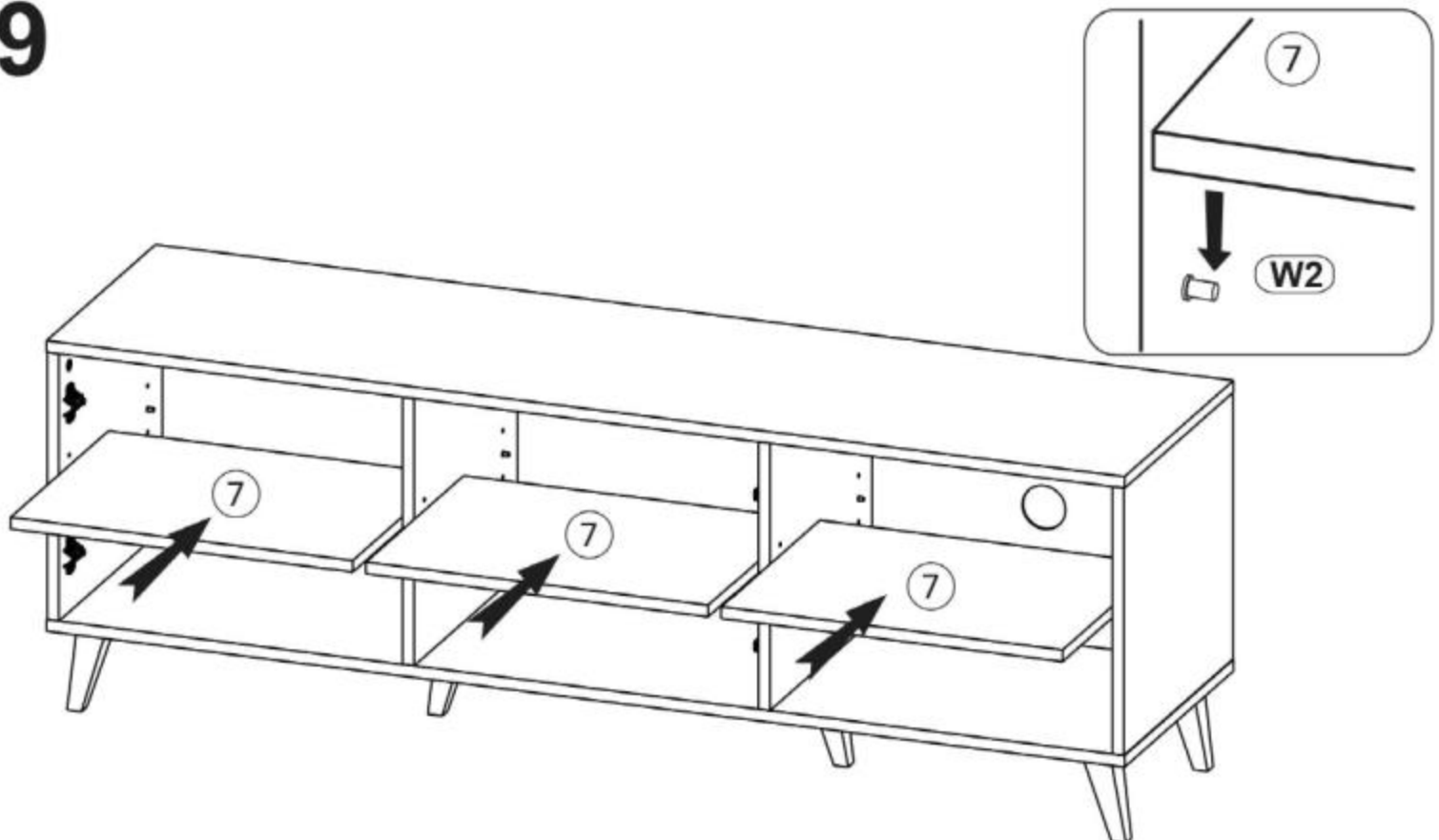
7



8



9



10

