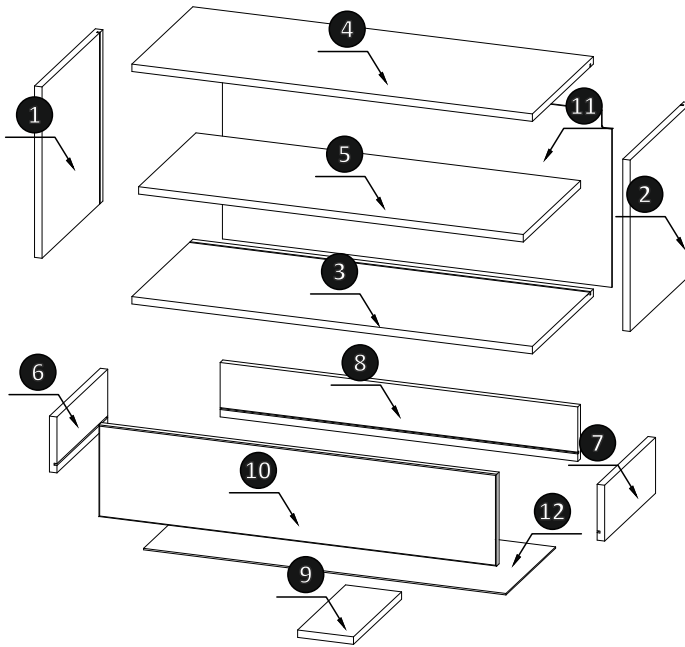


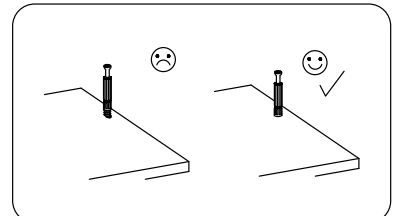
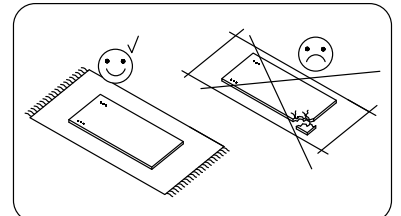
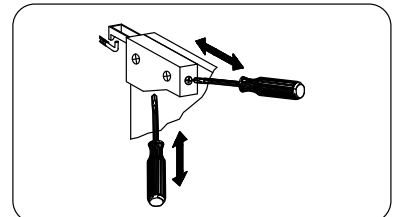
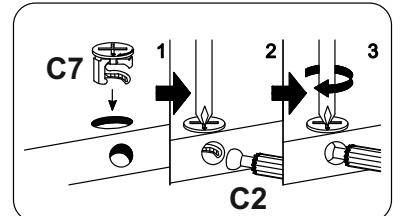
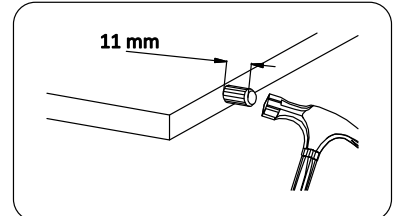
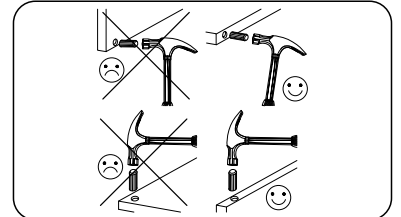
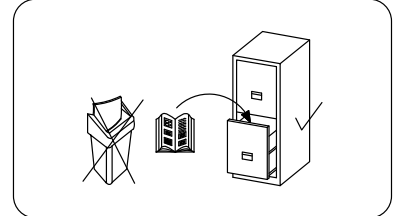
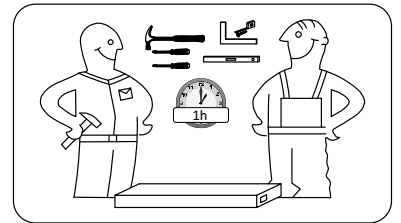
# E8

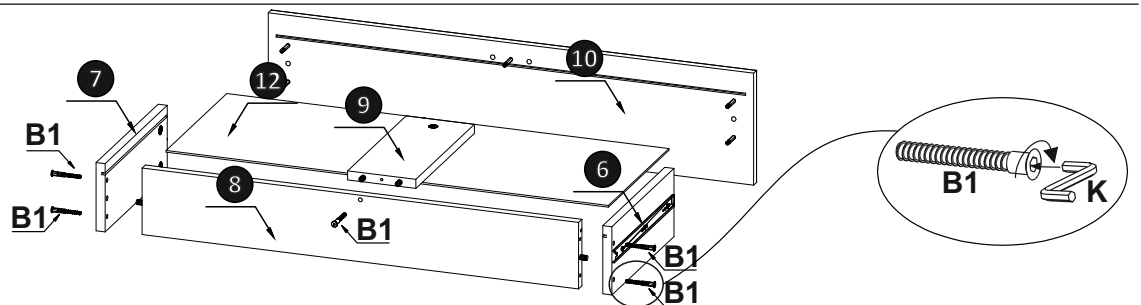
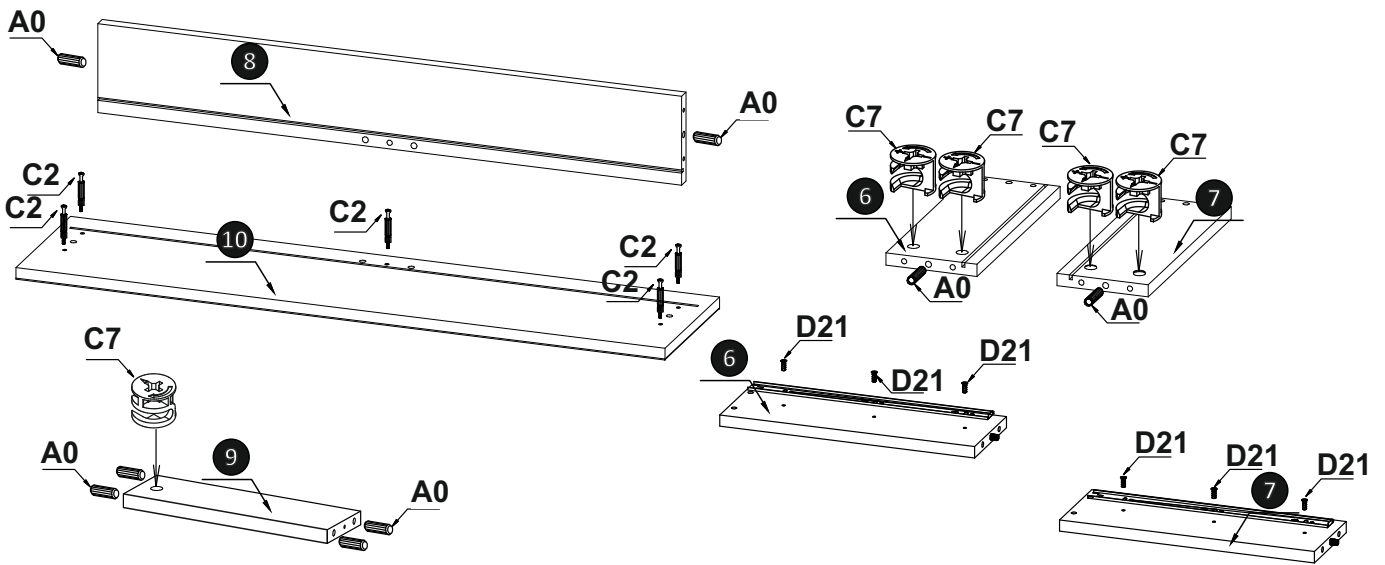
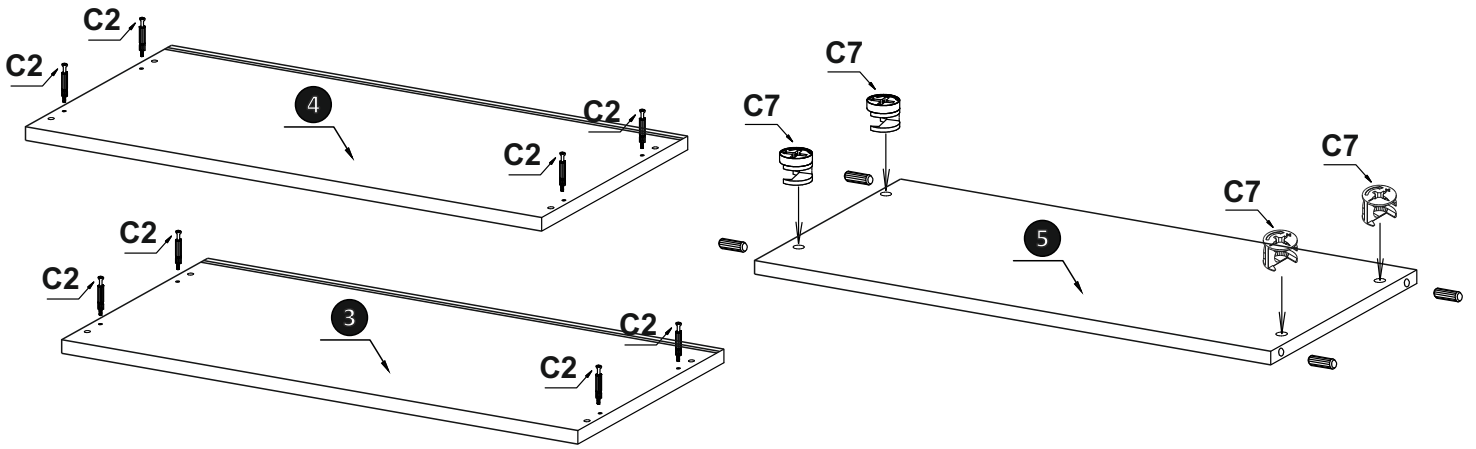
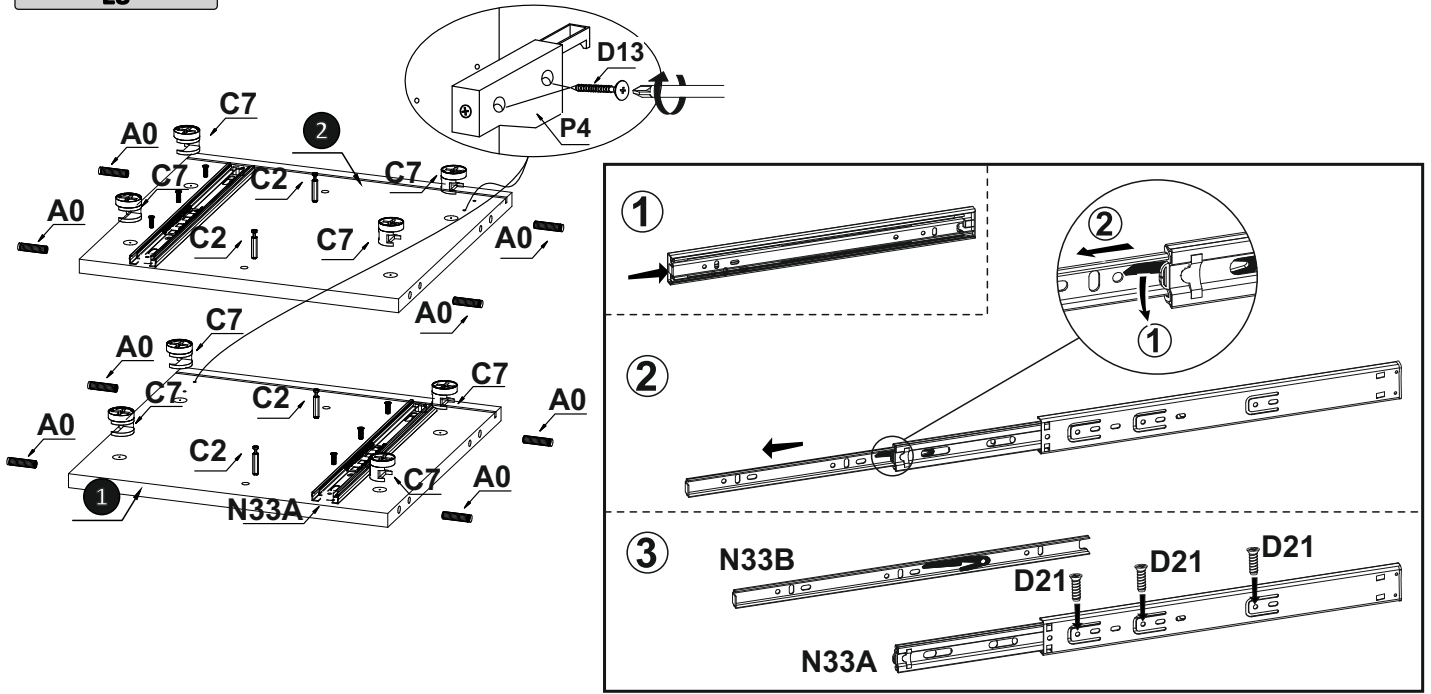


					8	1	768	117	16
1	1	386	359	16	9	1	283	120	16
2	1	368	359	16	10	1	854	197	16
3	1	860	360	16	11	1	836	377	3
4	1	860	360	16	12	1	778	293	3
5	1	826	338	16					
6	1	300	120	16					
7	1	300	120	16					

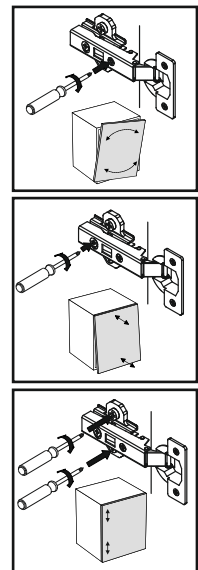
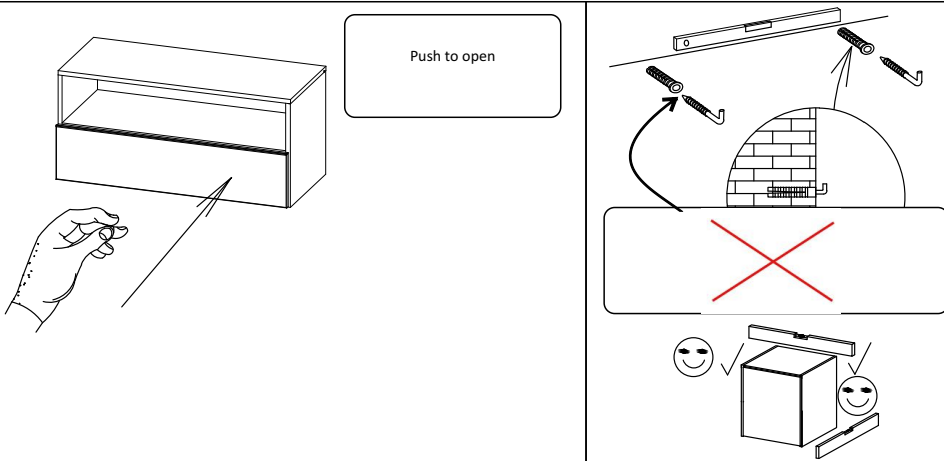
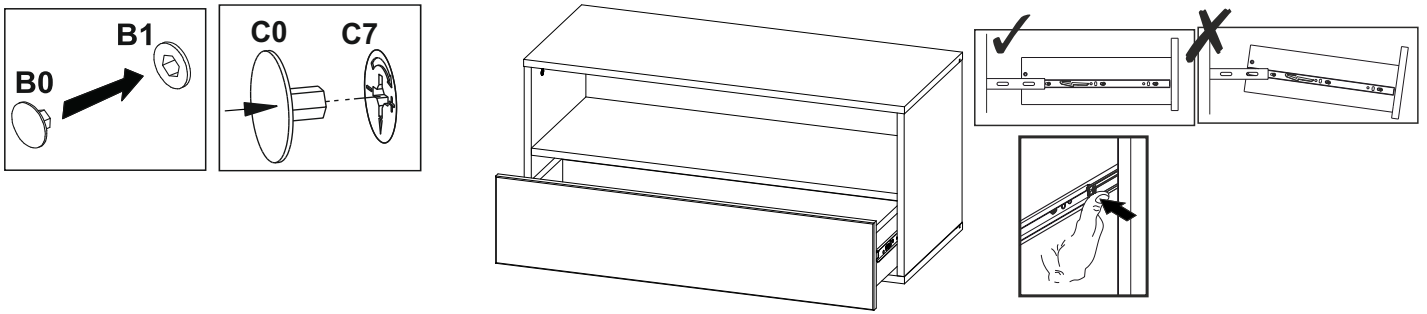
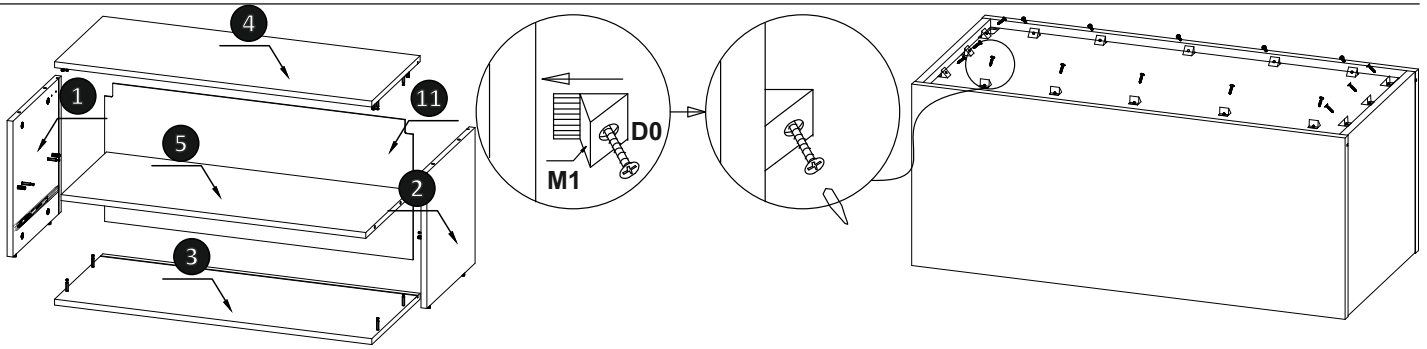
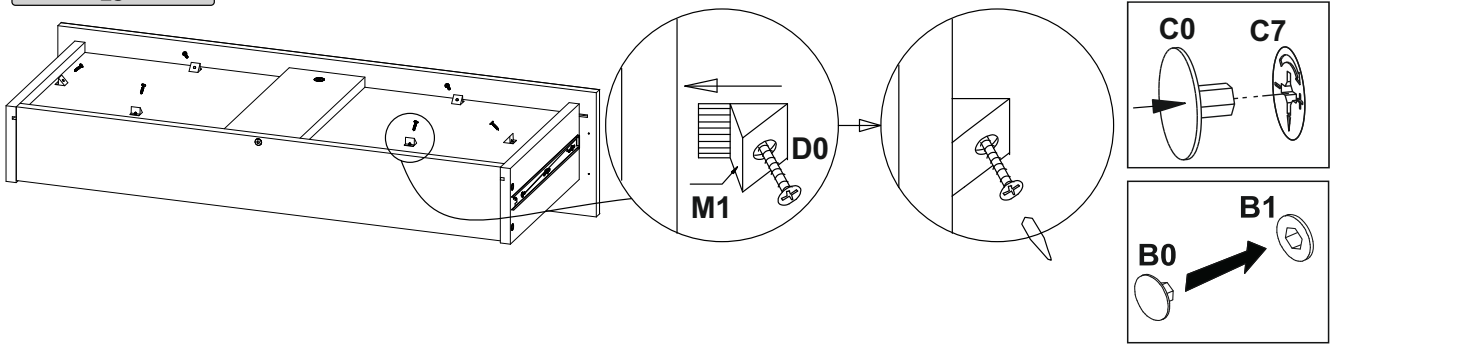
<b>A0</b>  8x30 20	<b>B1</b>  7x50 5	<b>C0</b>  17	<b>C2</b>  17	<b>C7</b>  17	<b>D0</b>  3x15 16	<b>D5</b>  3,5x16 4	<b>D13</b>  4x30 4	<b>D21</b>  5x13 12
-----------------------------	----------------------------	---------------------	---------------------	---------------------	-----------------------------	------------------------------	-----------------------------	------------------------------

<b>K</b>  4mm 1	<b>M1</b>  16	<b>N33</b>  L-300 1	<b>P4</b>  2
--------------------------	---------------------	------------------------------	--------------------

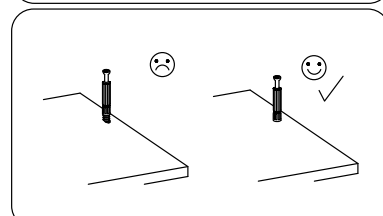
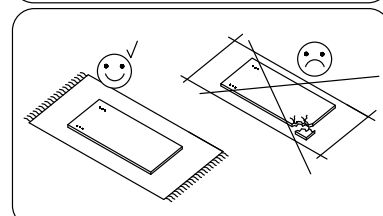
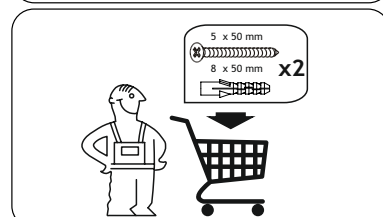
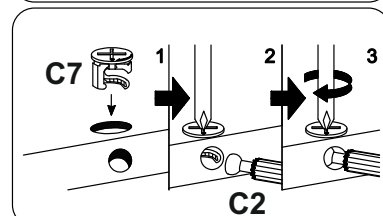
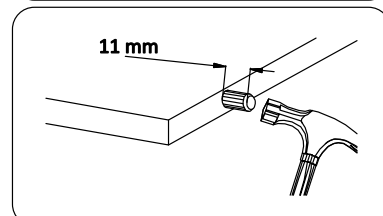
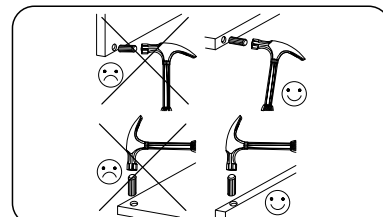
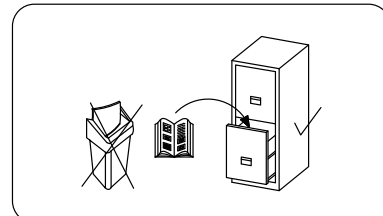
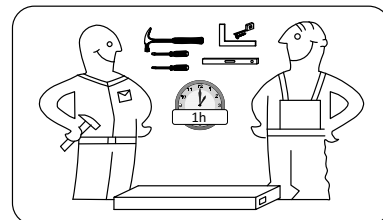
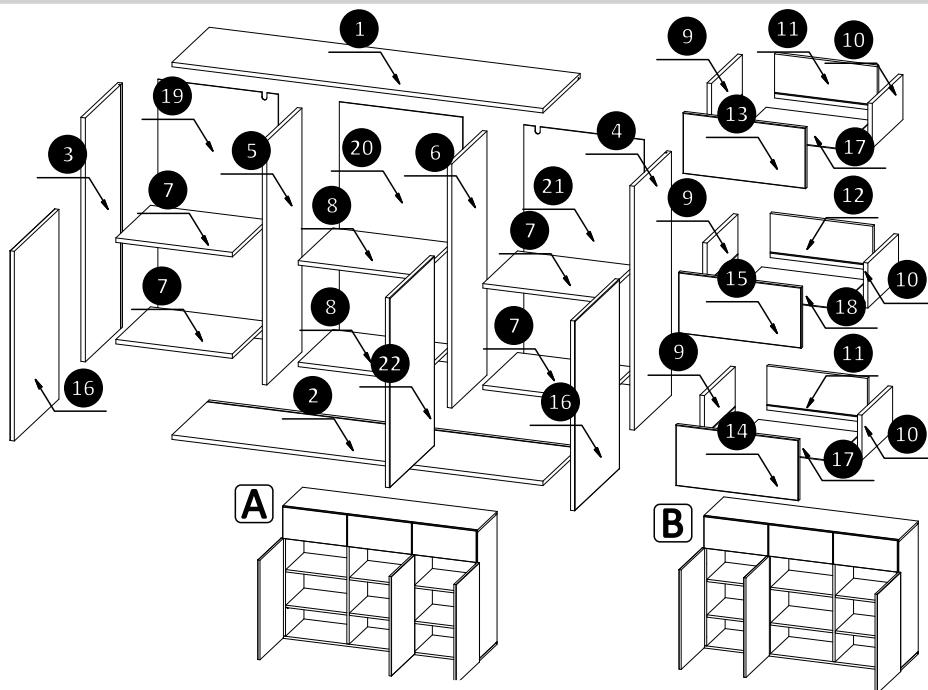




E9



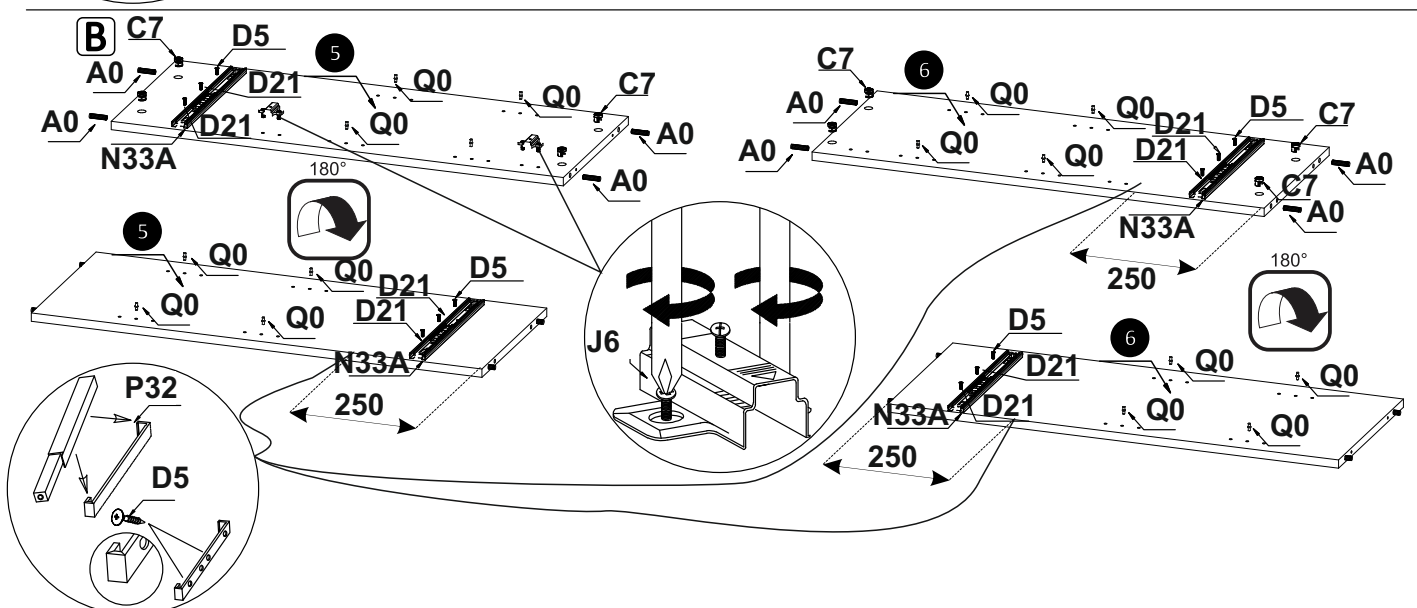
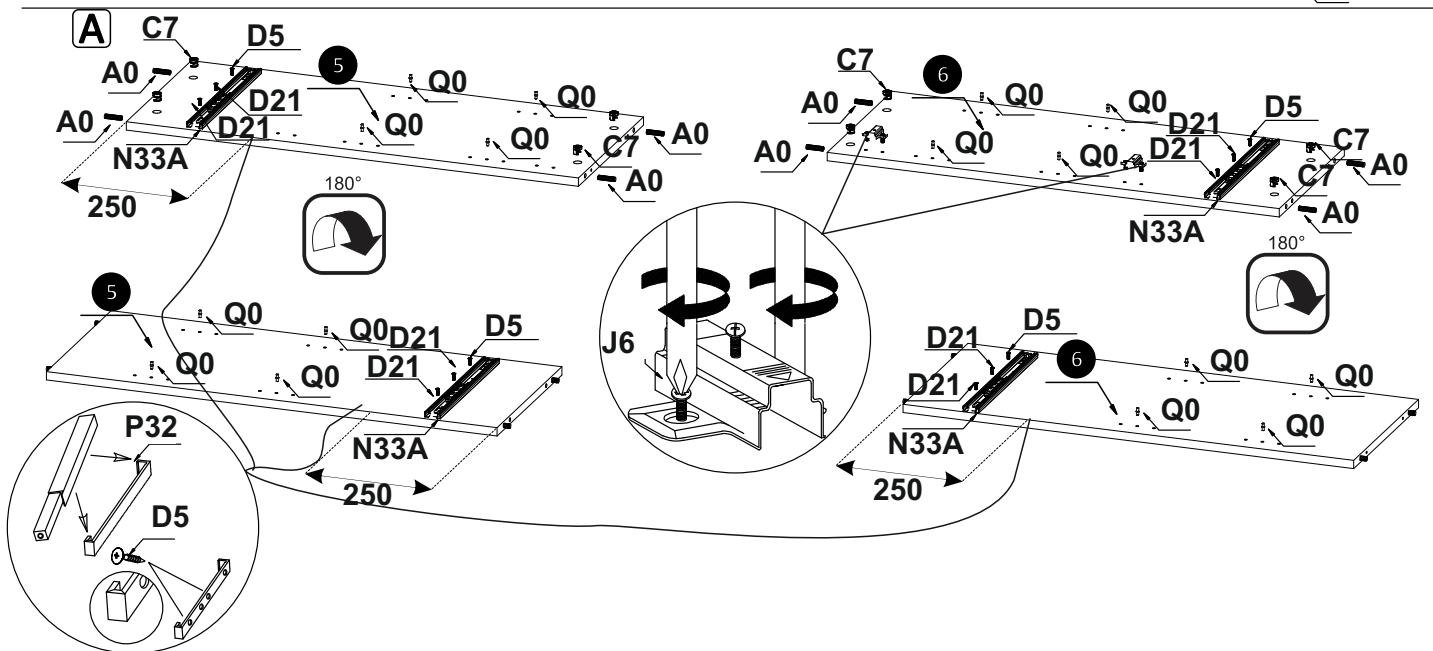
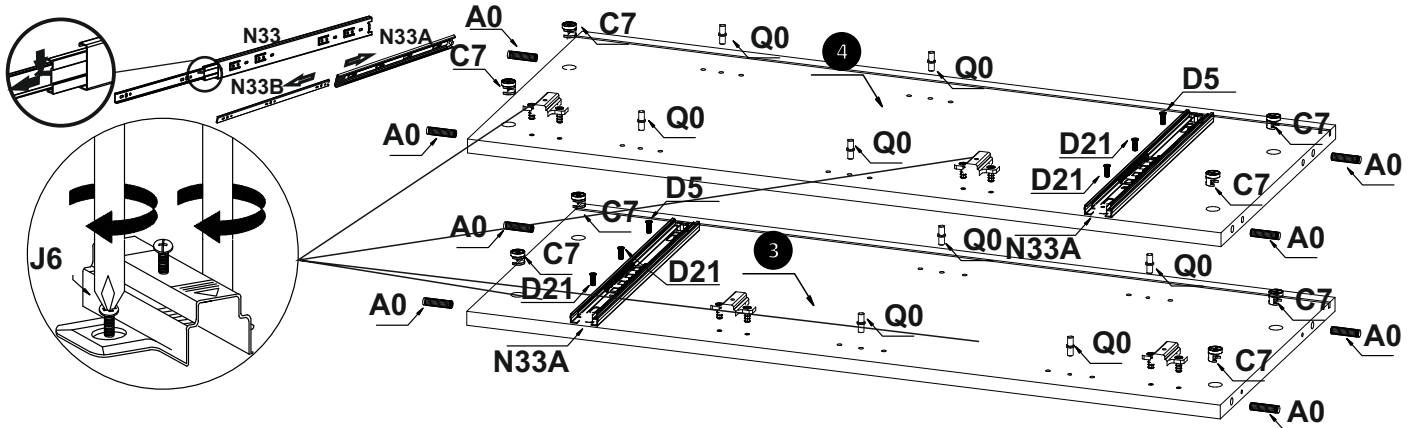
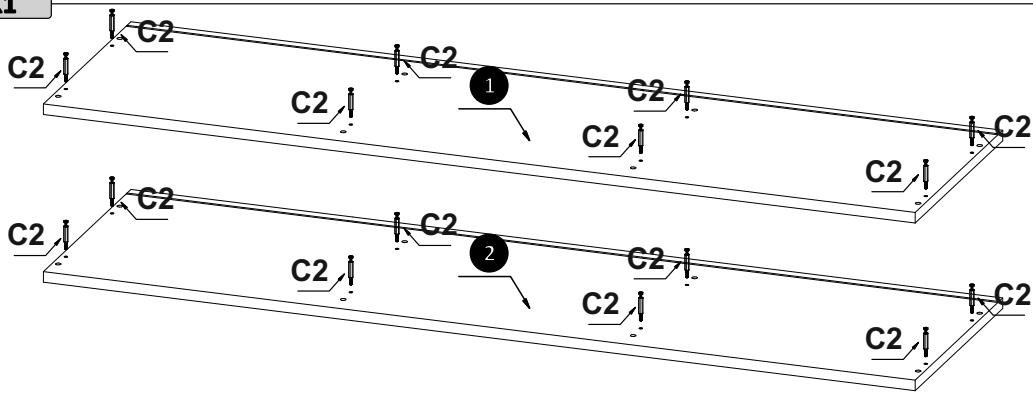
# Komoda K1

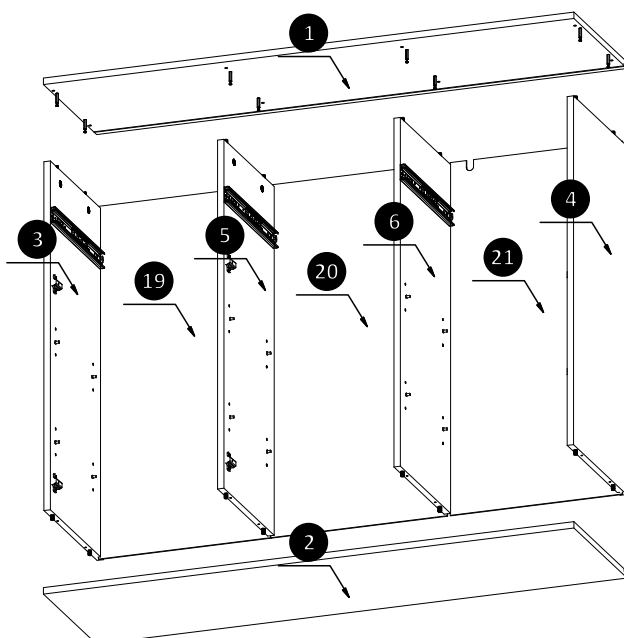
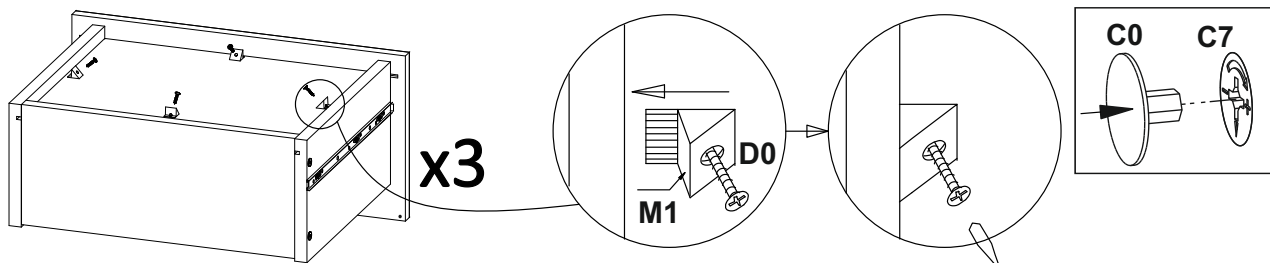
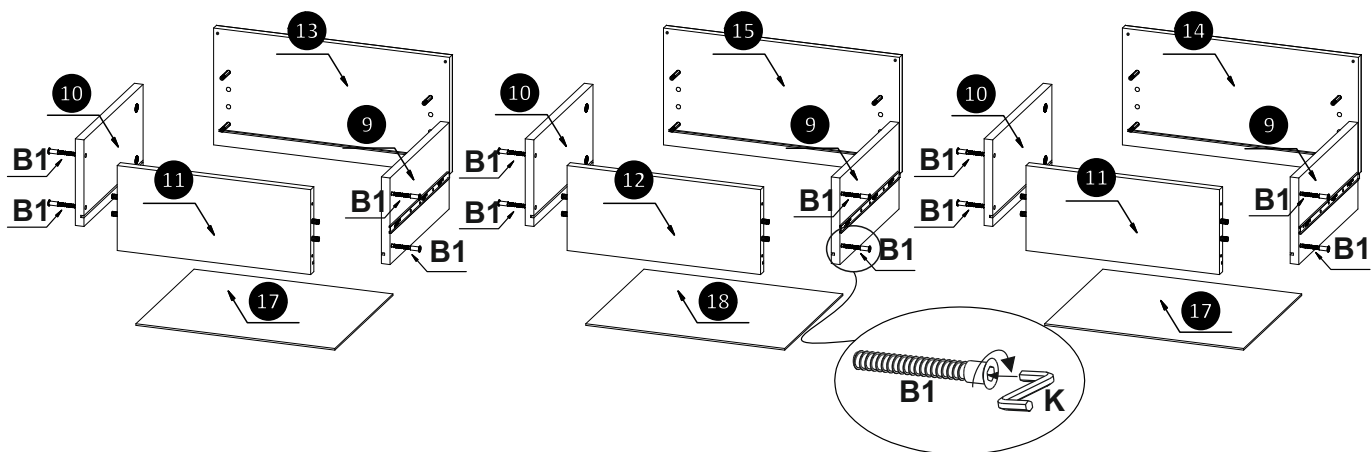
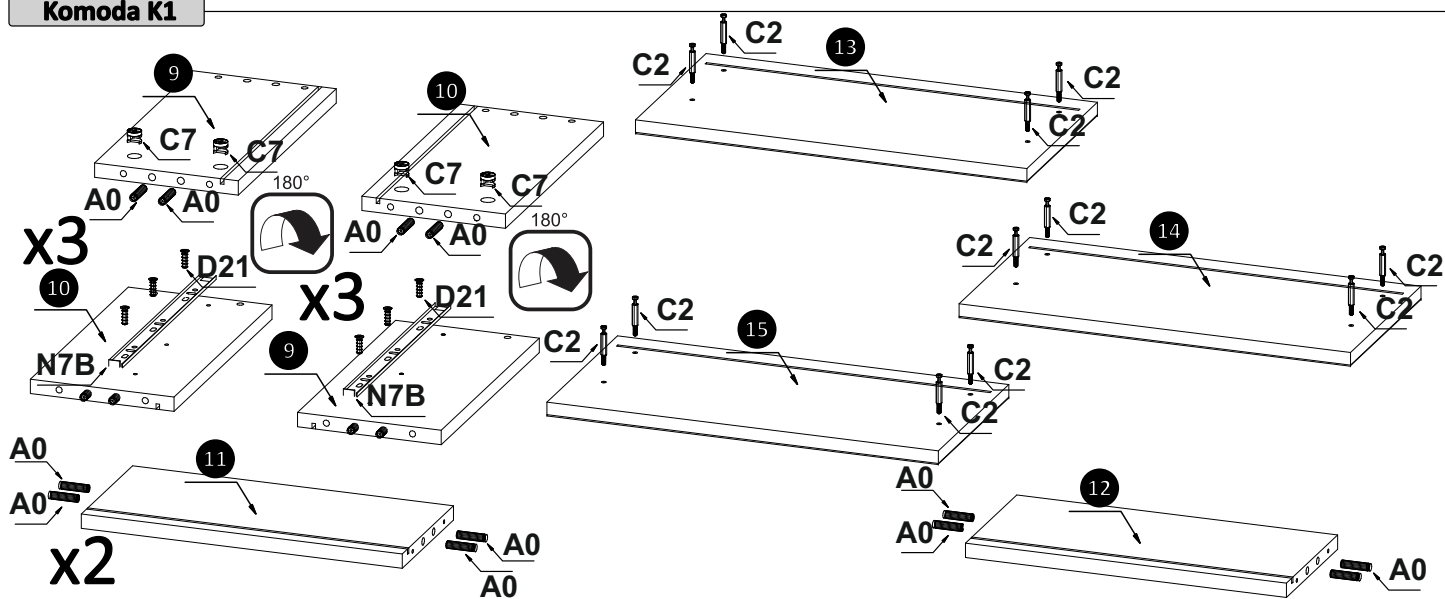


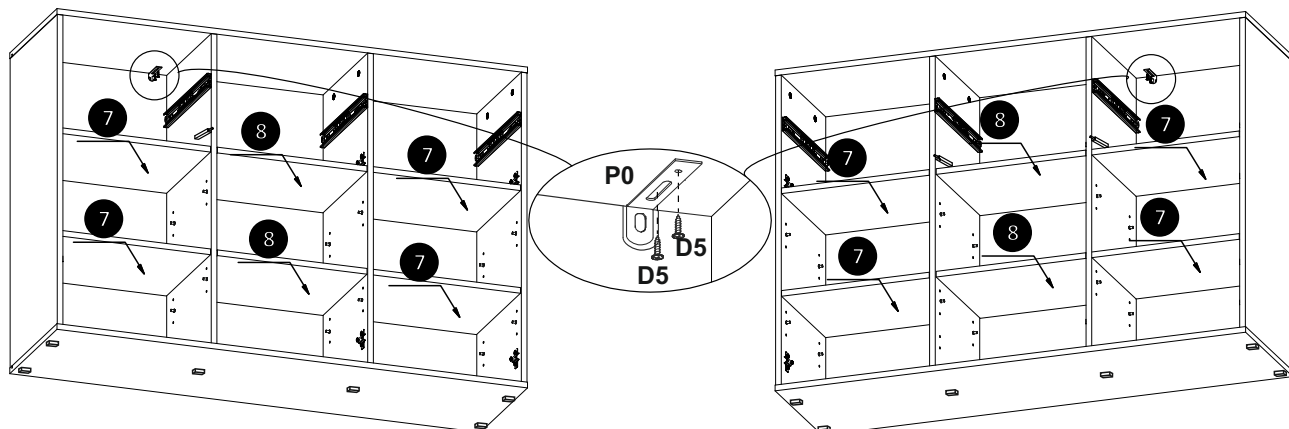
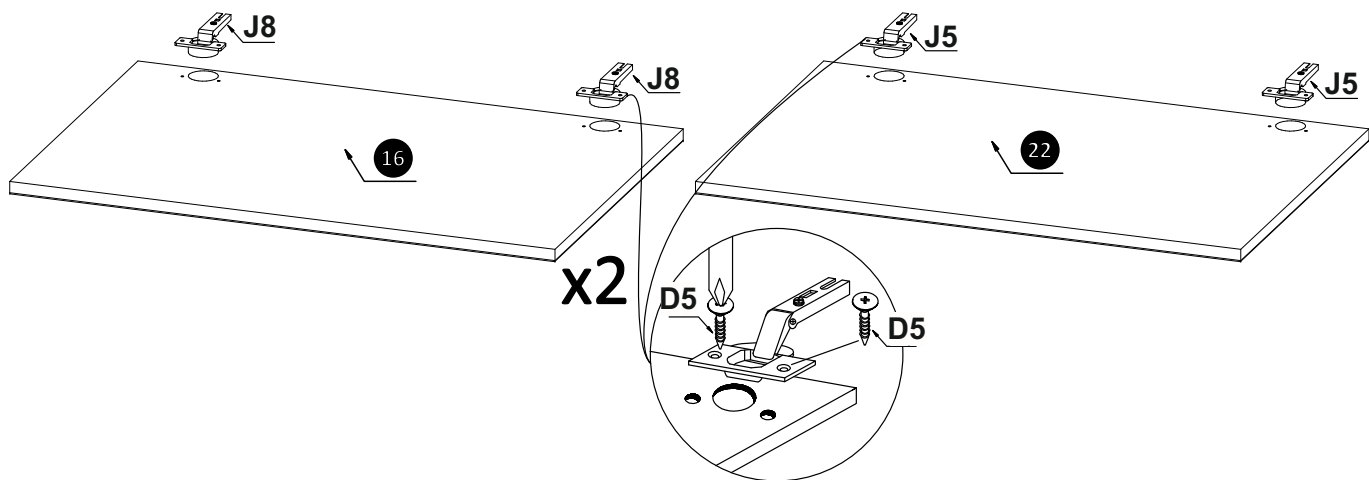
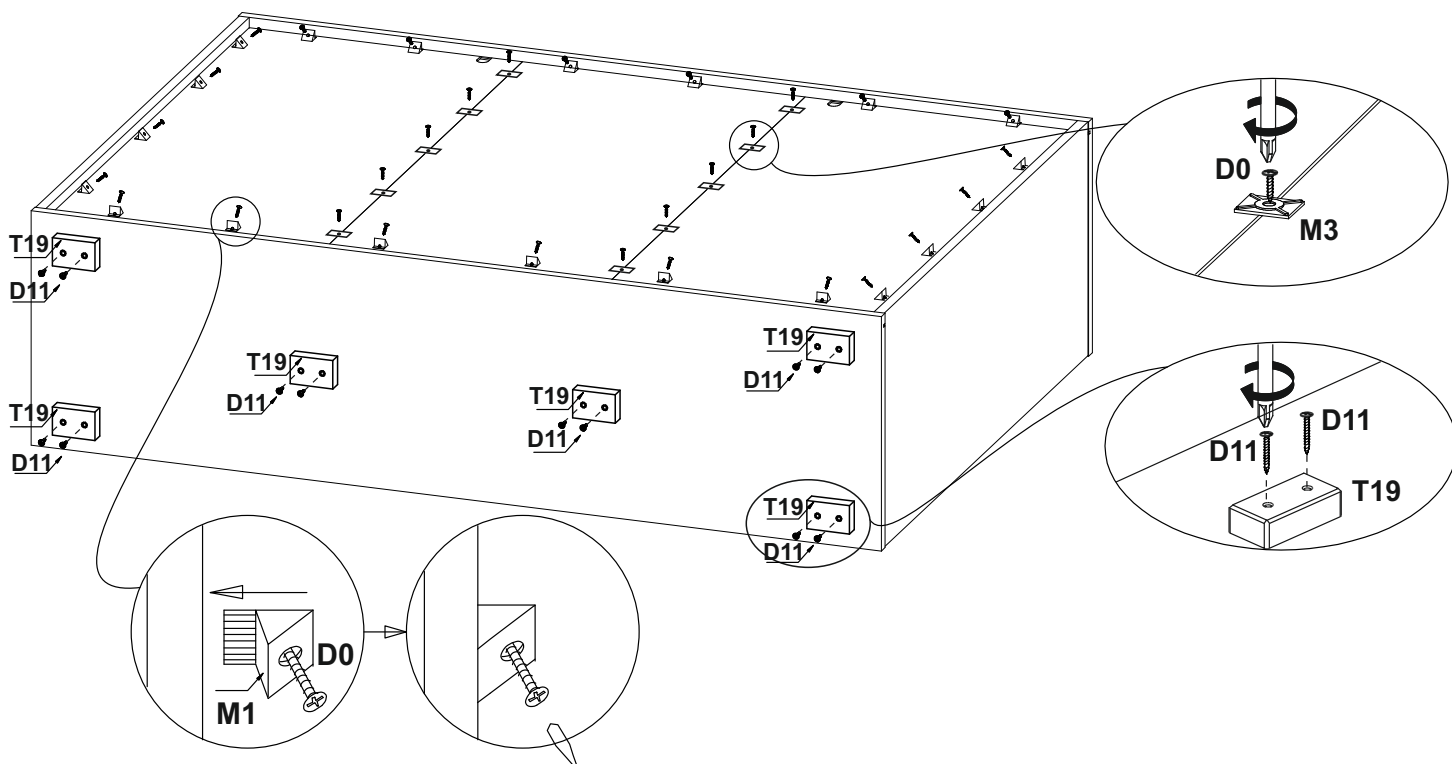
1	1	1320	364	16	12	1	365	157	16
2	1	1320	364	16	13	1	436	216	16
3	1	868	363	16	14	1	436	216	16
4	1	868	363	16	15	1	436	216	16
5	1	868	343	16	16	2	675	436	16
6	1	868	343	16	17	2	367.5	295	3
7	4	414.5	339	16	18	1	375	295	3
8	2	422	339	16	19	1	878	428	3
9	3	300	160	16	20	1	878	439	3
10	3	300	160	16	21	1	878	428	3
11	2	357.5	157	16	22	1	675	436	16

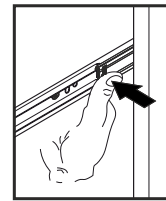
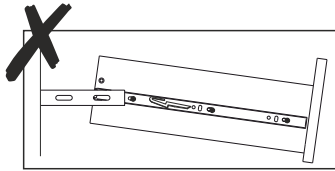
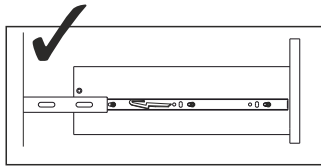
A0 8x30 40	B4 12	B1 6.4x50 12	C0 28	C2 28	C7 28	D0 3x15 42	D5 3.5x16 30	D11 4x20 12	D21 5x13 30	J5 2
J6 H=2 6	J8 4	K 4mm 1	M1 32	M3 10	N33 L-300 3	P0 2	P32 3	Q0 24	T19 6	

Komoda K1

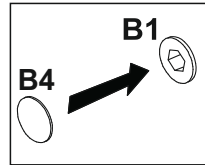
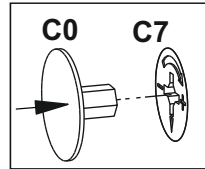
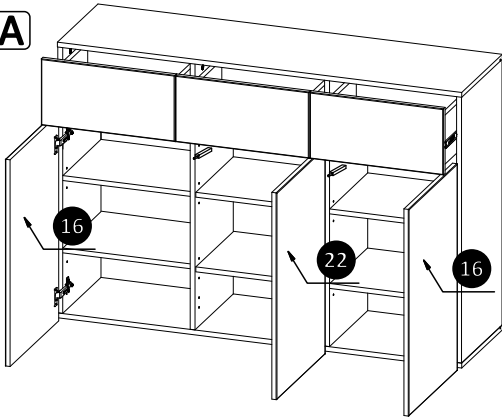




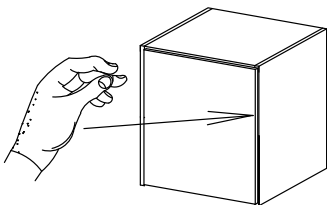
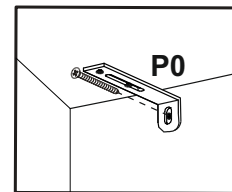
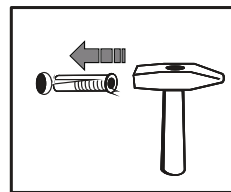
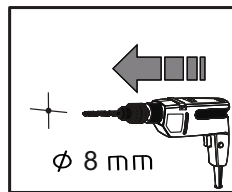
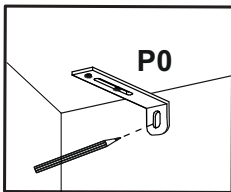
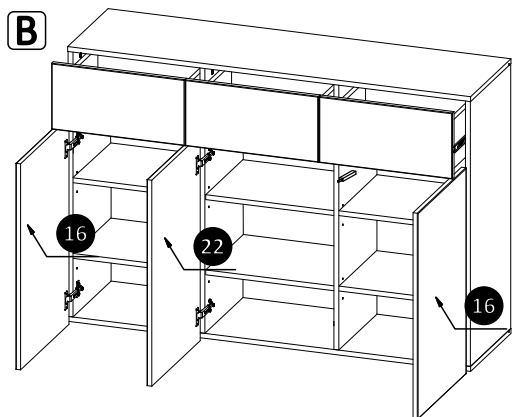




**A**



**B**



Push to open

