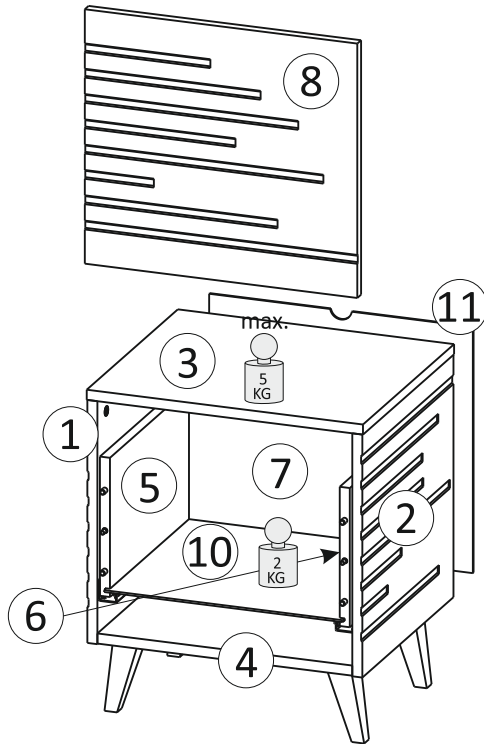
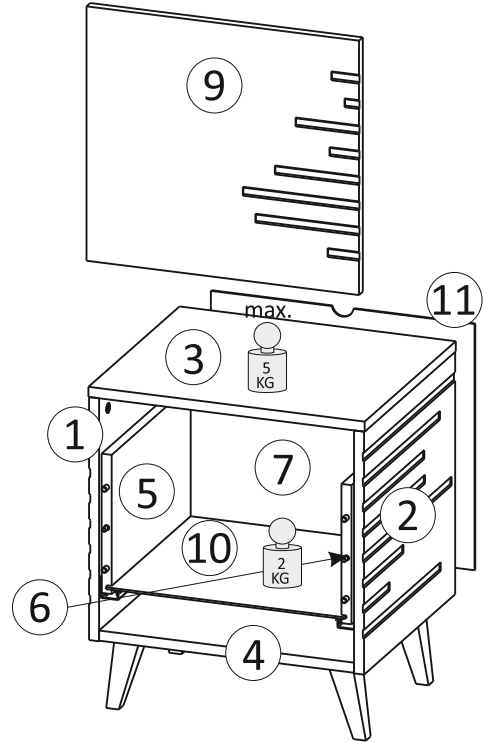






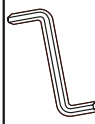


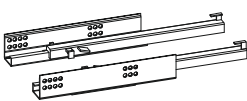


„L”





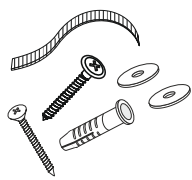
„R”



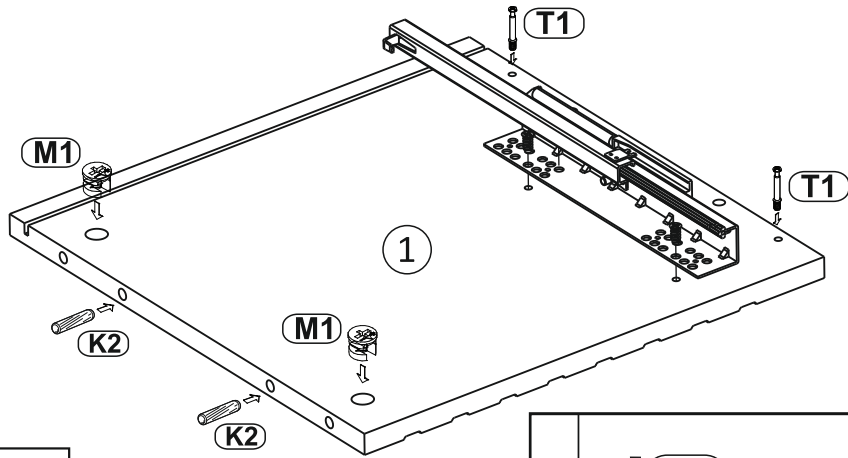
K2  x24	T1  x20	M1  x20	S10  3x18 x6	P2  3,5x18 x6	K11  x8	K7  x1
--	---	---	---	--	---	--

U1  L-350 x2L x2R	P10  6,3x13 x8	P2  3,5x18 x8
---	---	--

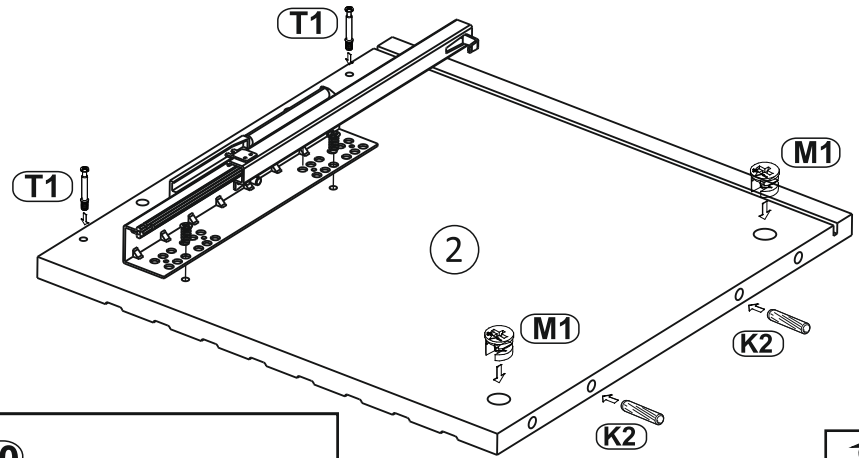
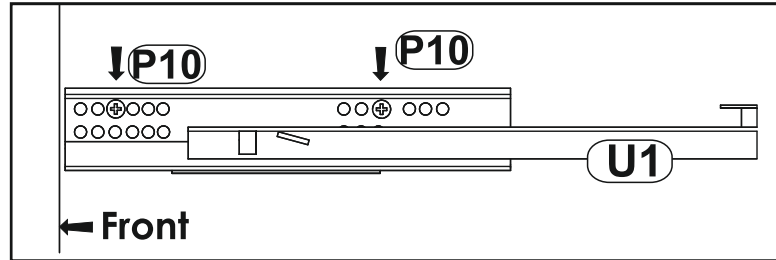
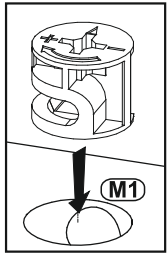
ST1  x8	P3  3,5x18 x32
--	---

B5  x2
--

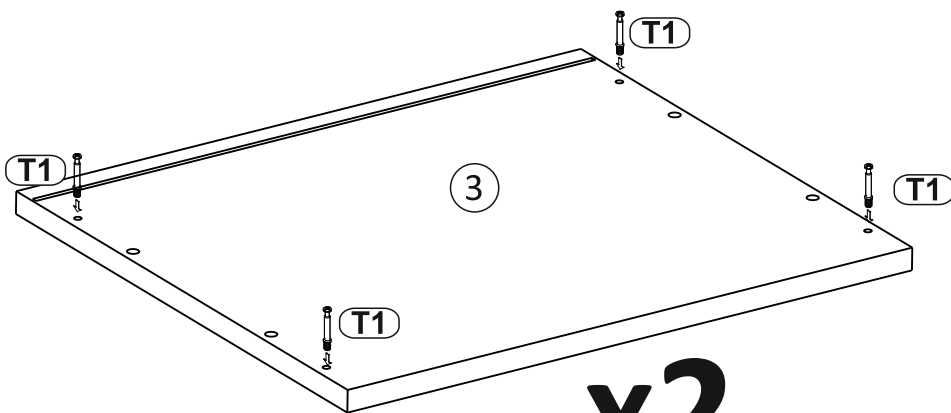
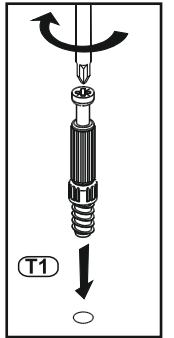
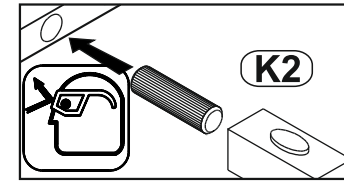
1



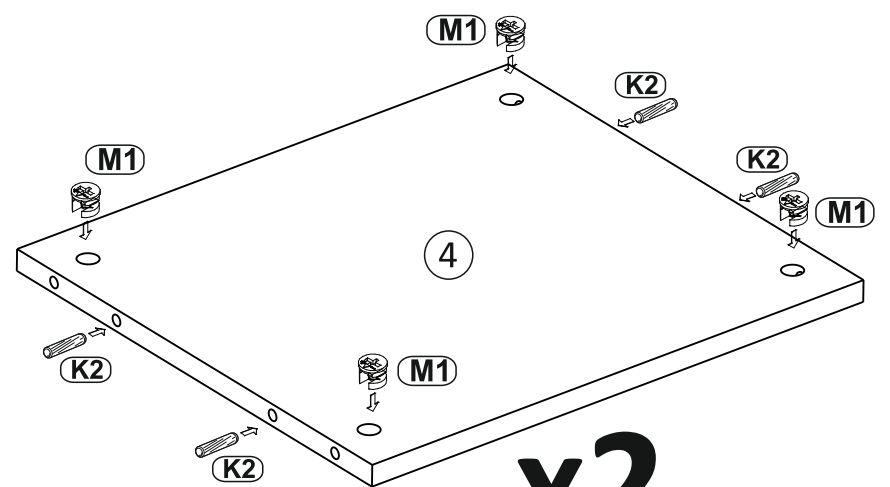
x2



x2

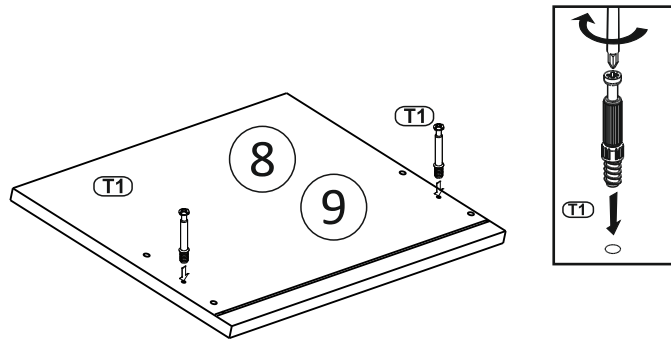


x2

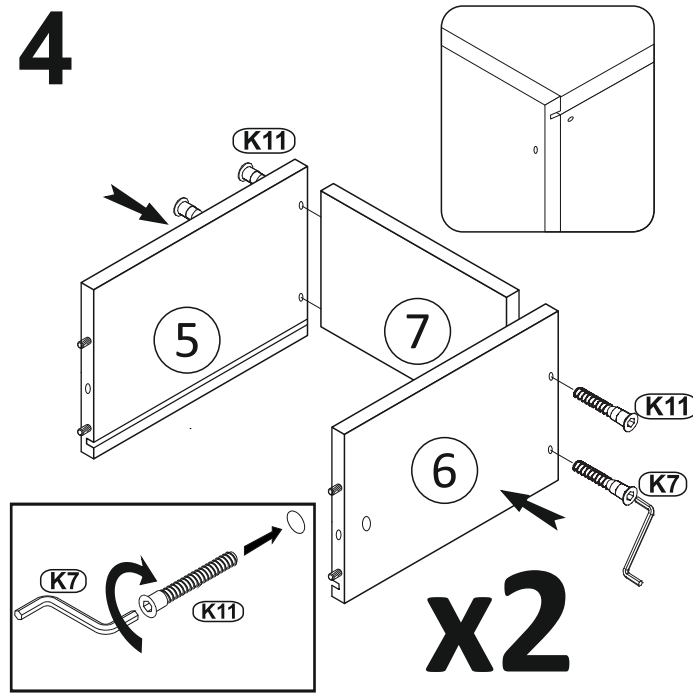


x2

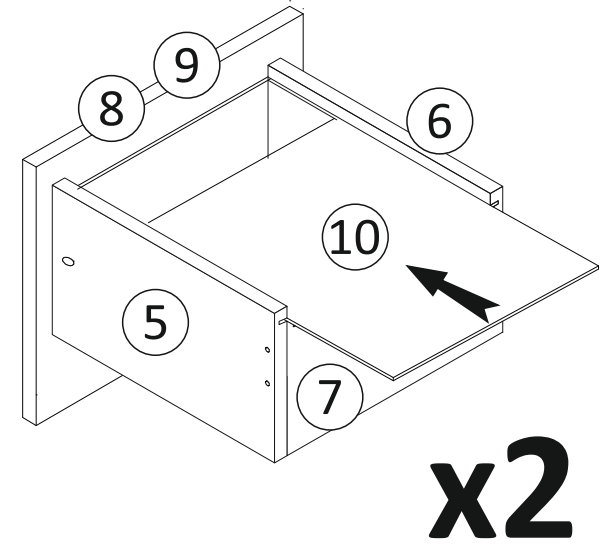
2



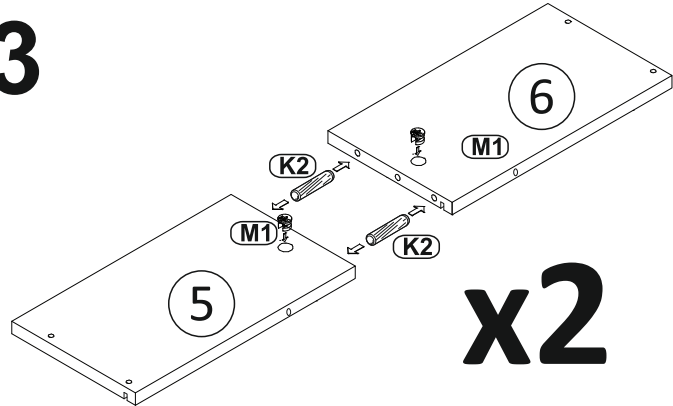
4



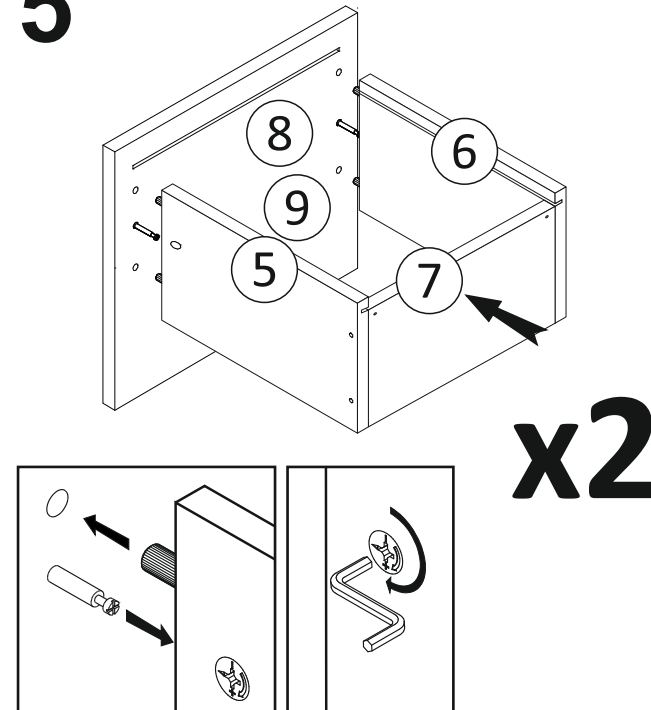
6



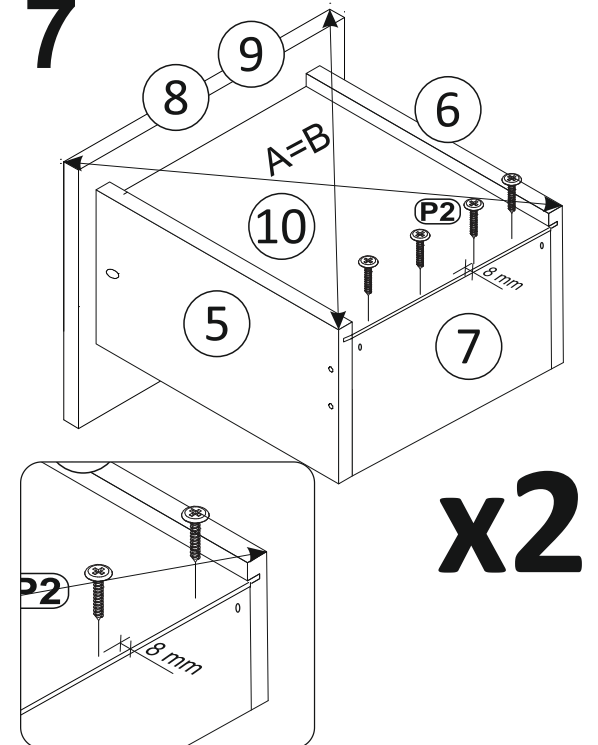
3



5



7



x2

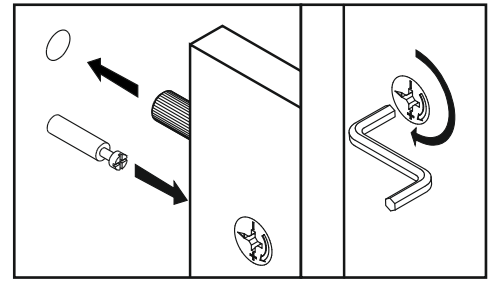
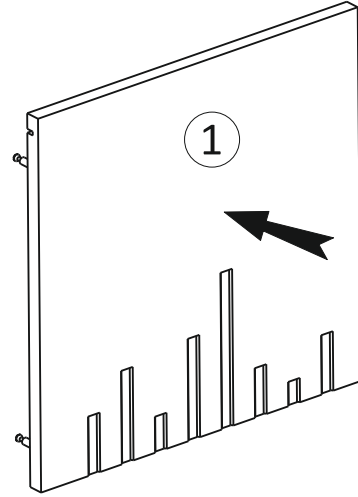
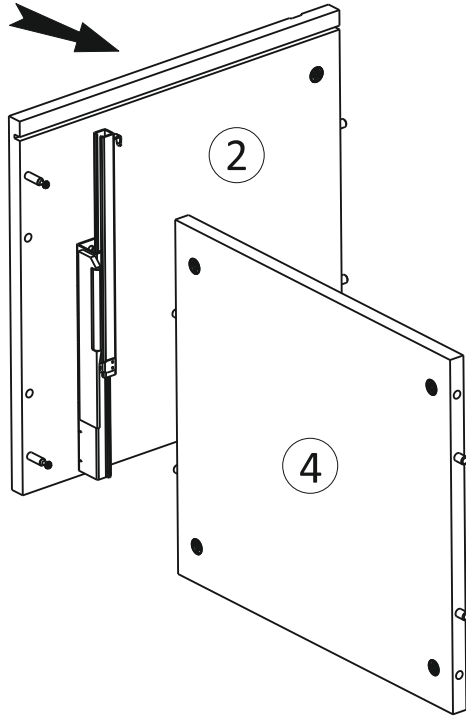
x2

x2

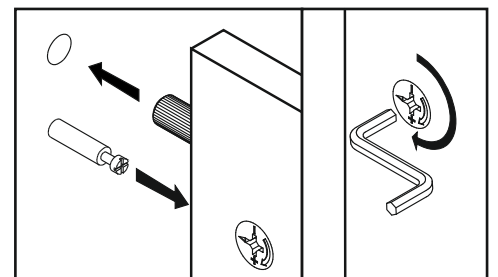
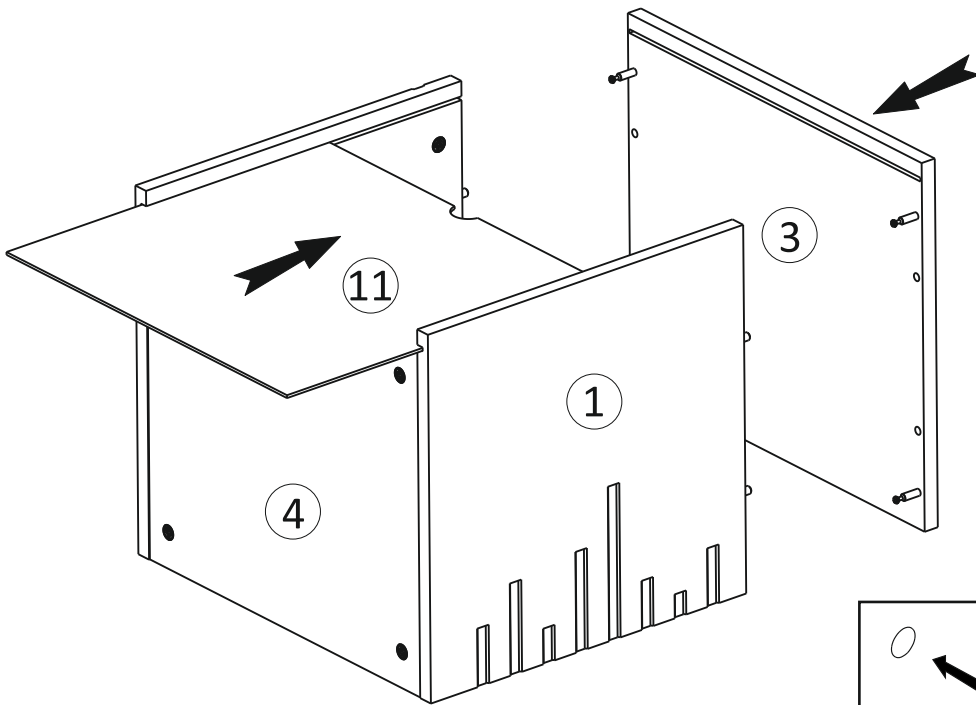
x2

x2

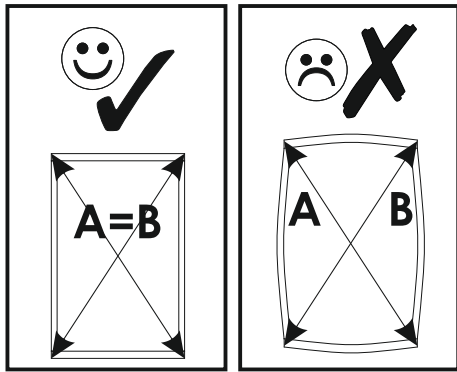
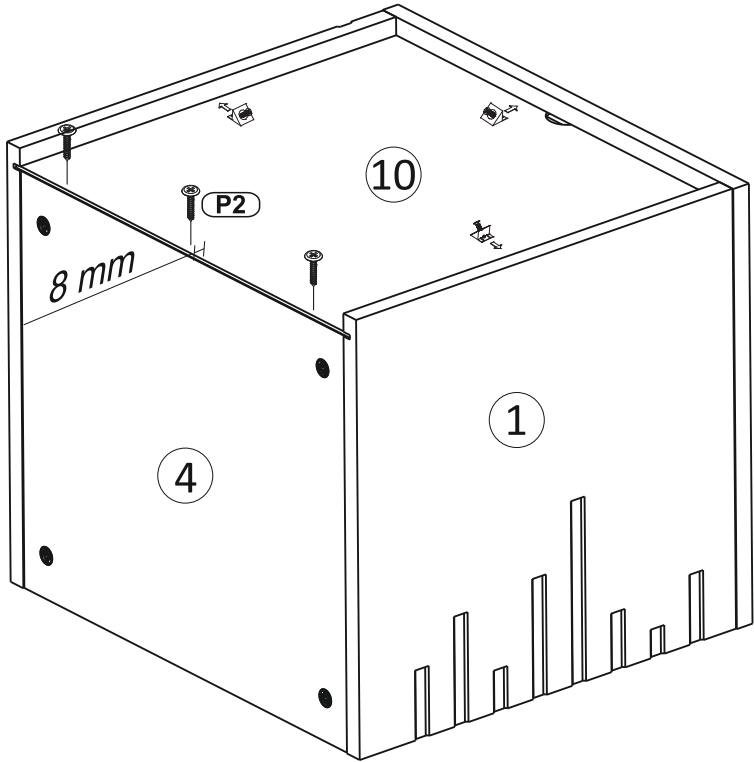
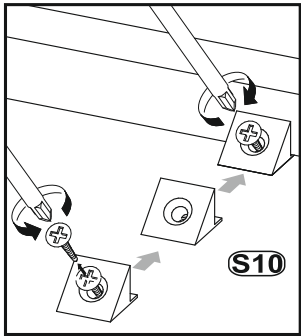
8



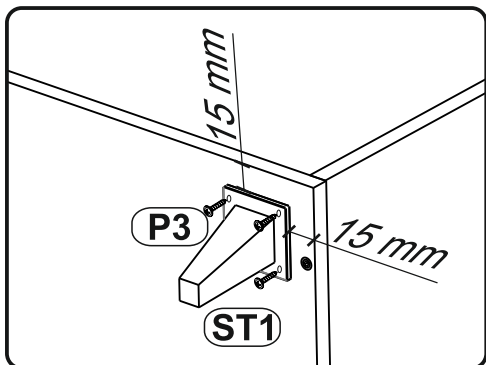
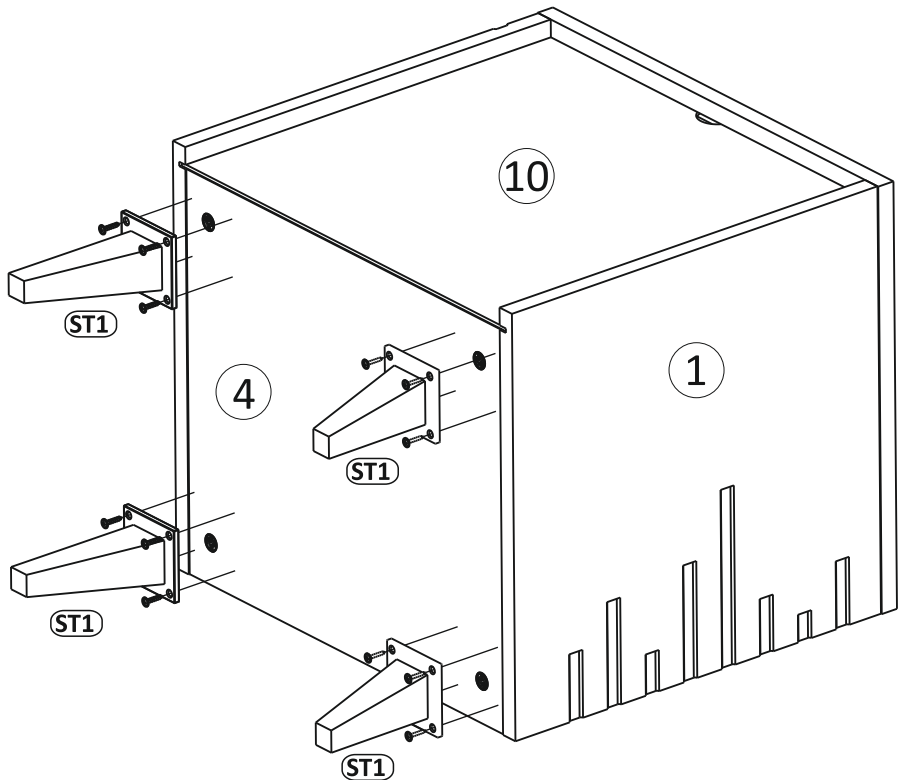
9



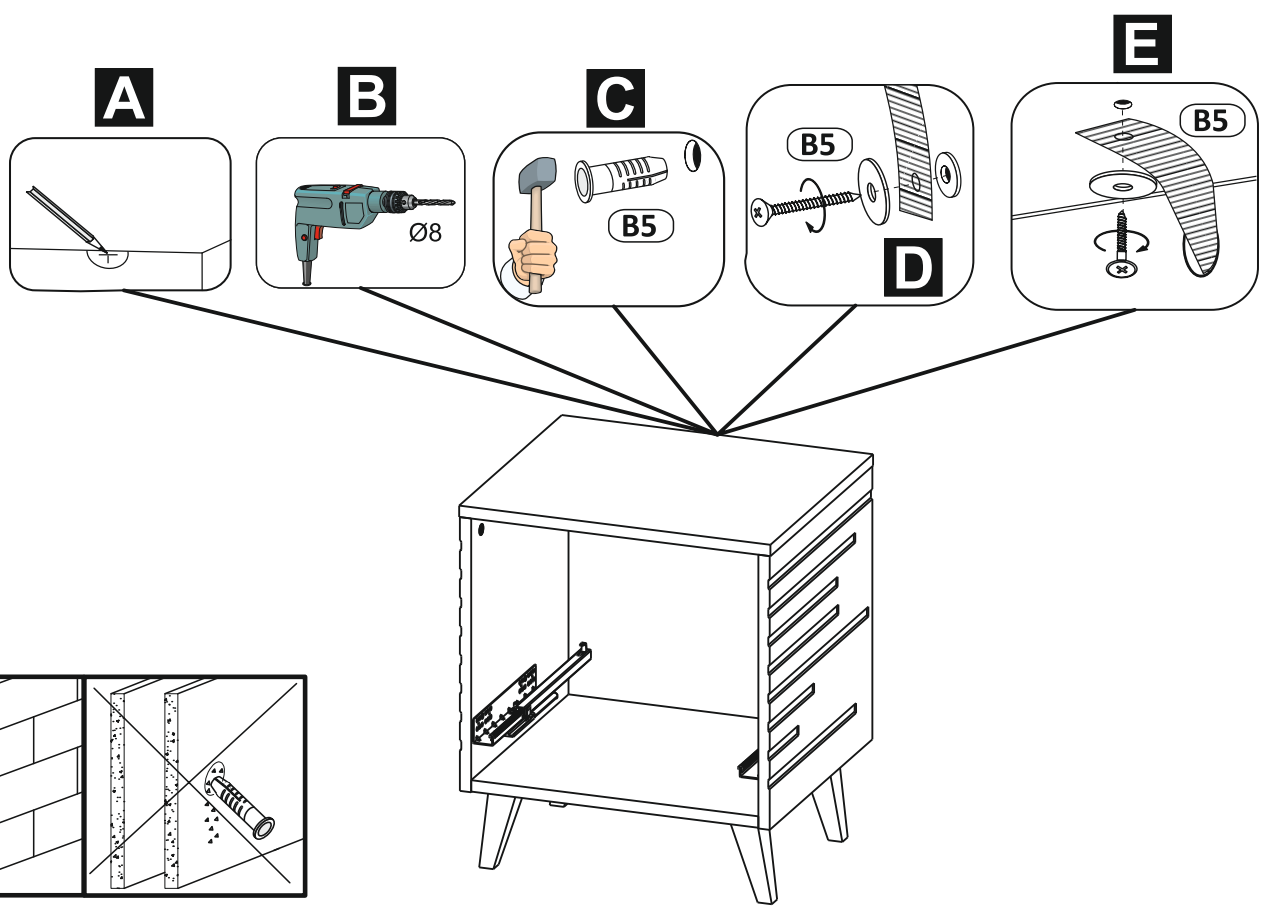
10



11



12



13

