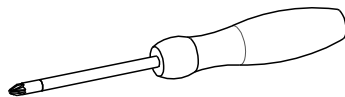
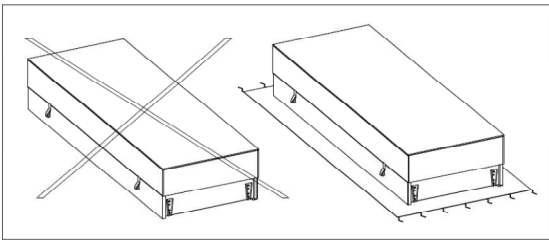


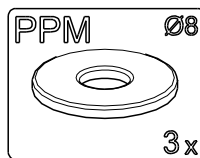
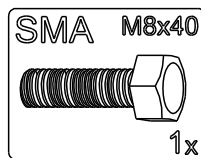
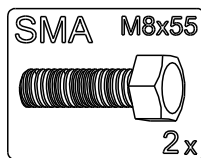
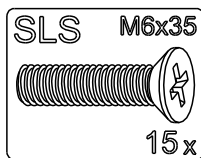
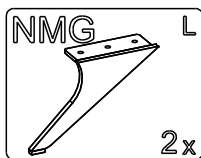
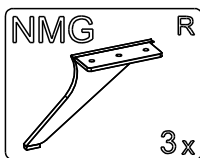
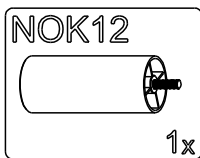
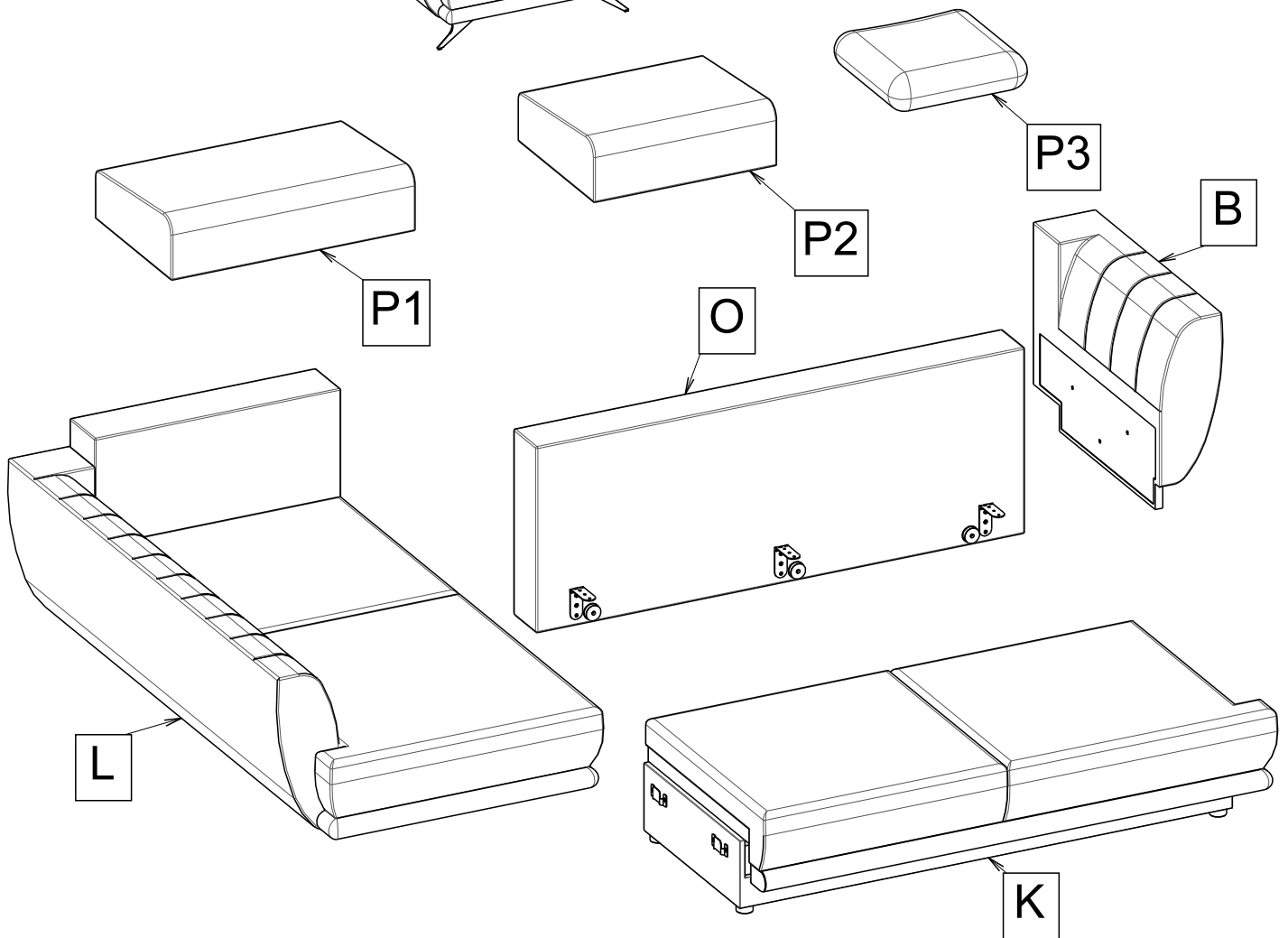
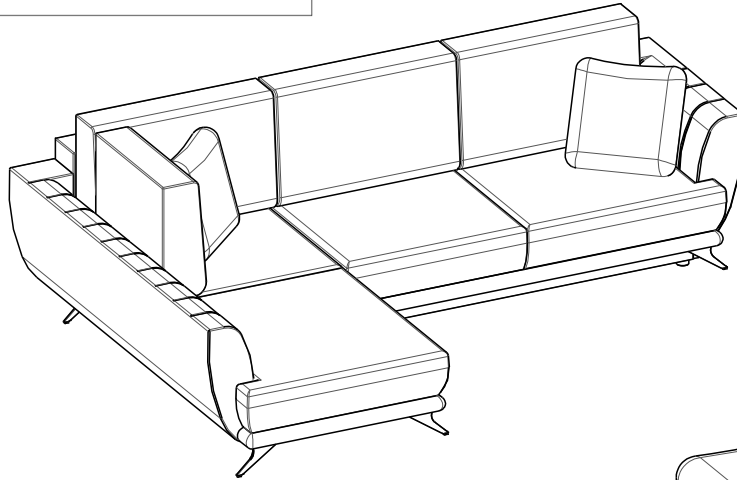
13"

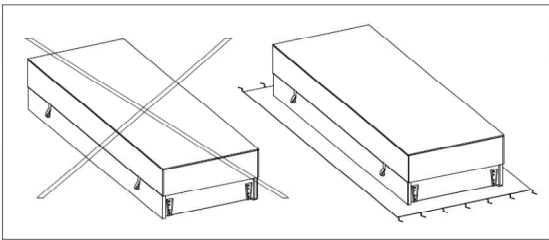


40min

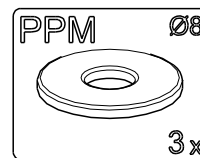
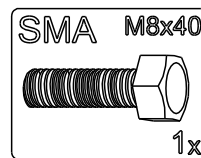
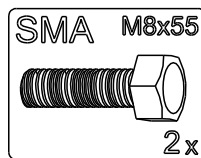
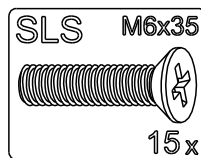
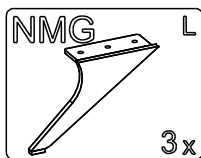
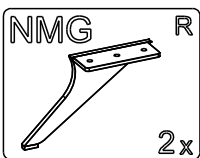
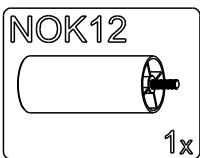
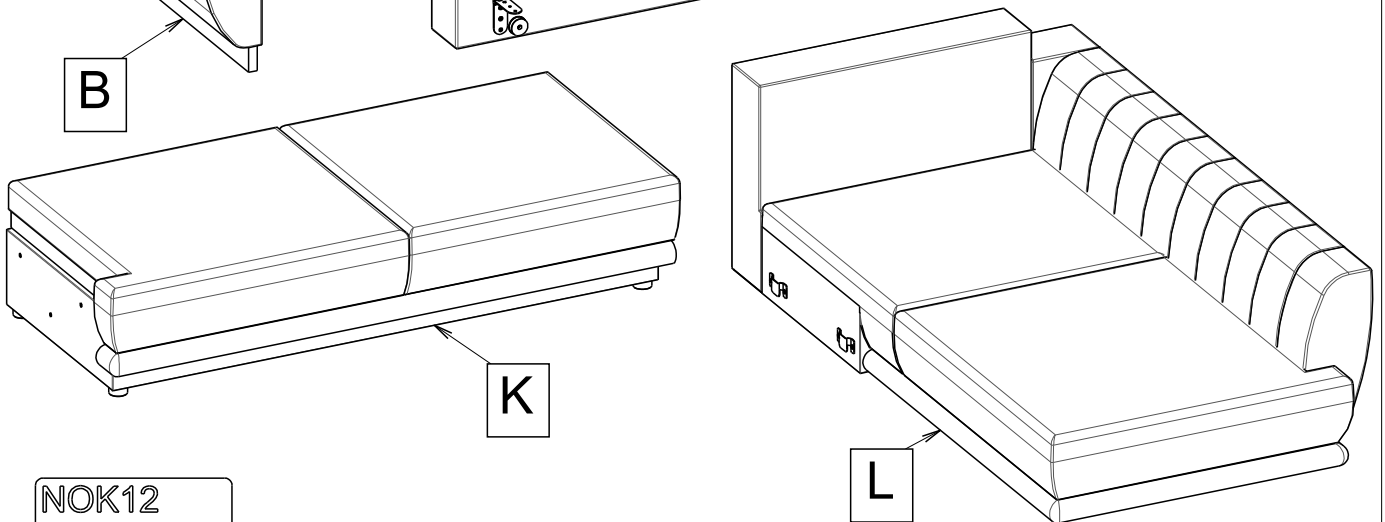
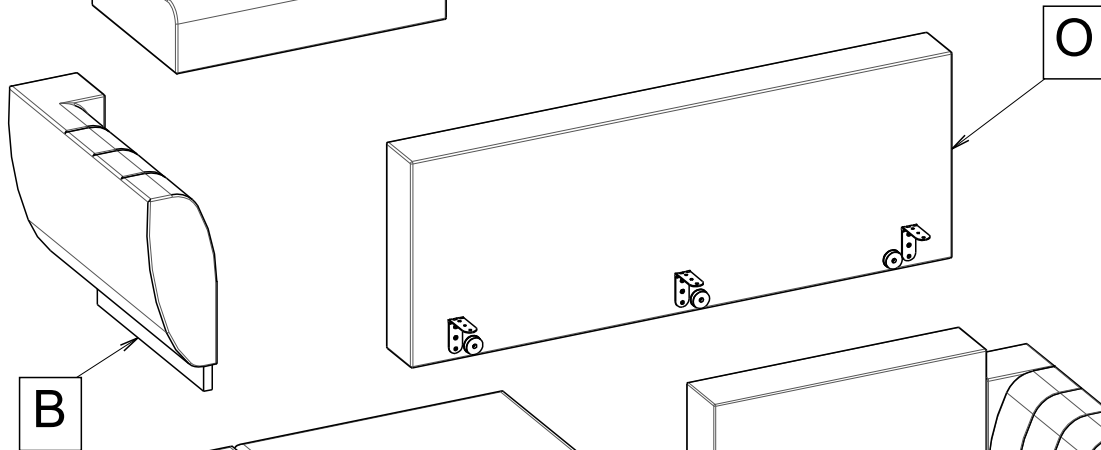
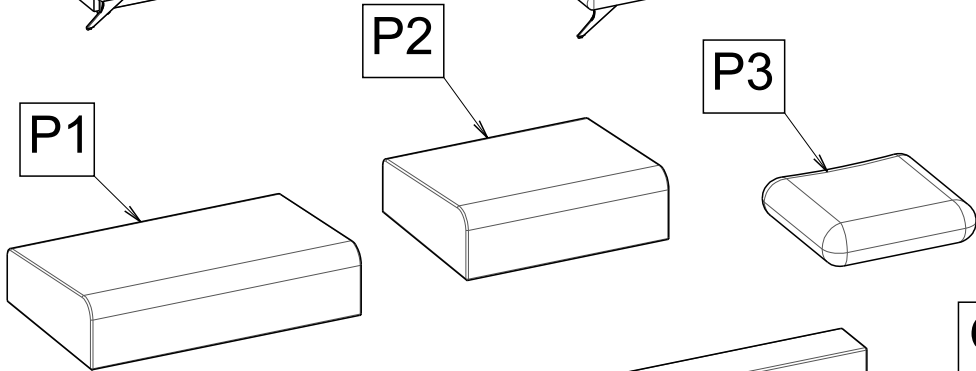
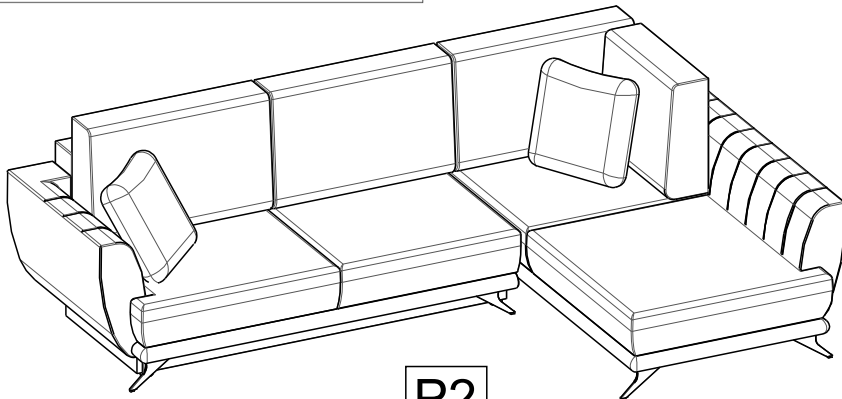


O	1x
K	1x
L	1x
B	1x
P1	3x
P2	1x
P3	2x

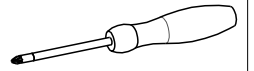
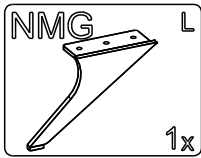
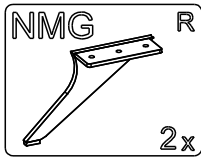
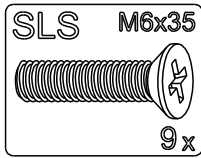
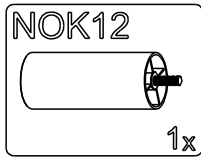




O	1x
K	1x
L	1x
B	1x
P1	3x
P2	1x
P3	2x

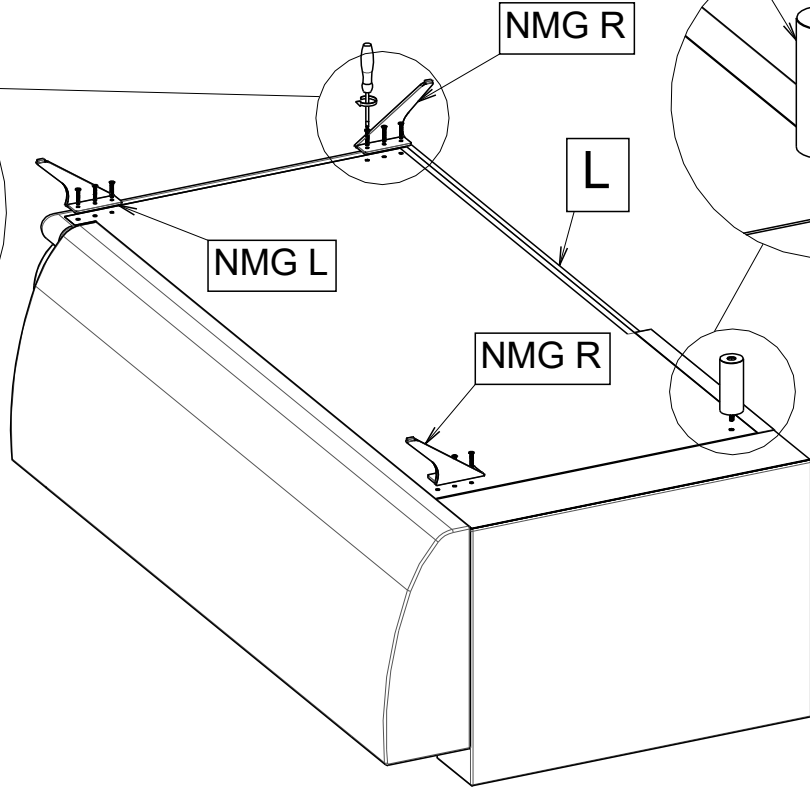
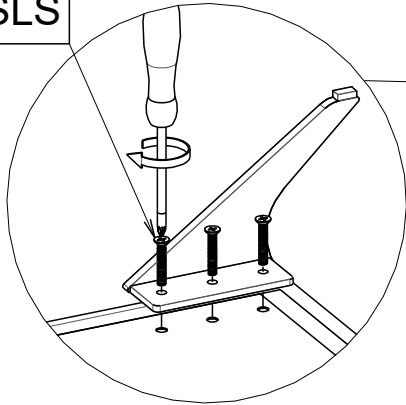


1

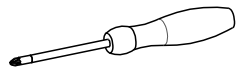
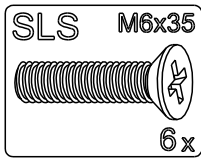
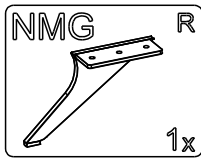
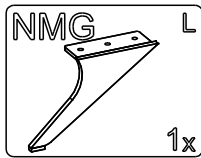


NOK12

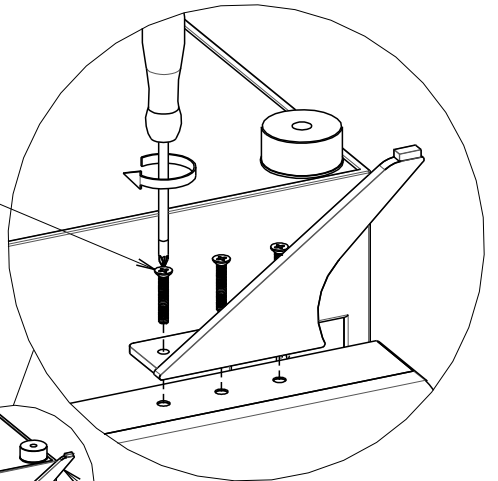
SLS



2



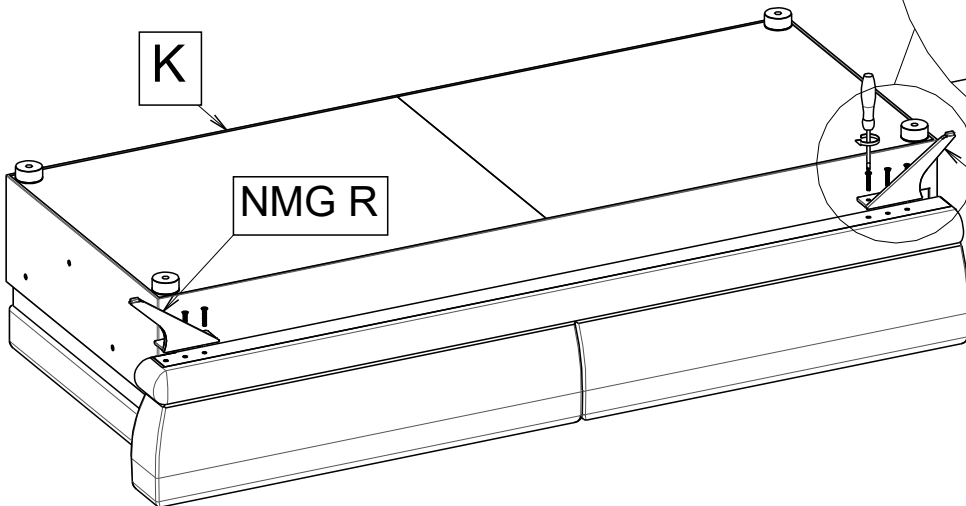
SLS



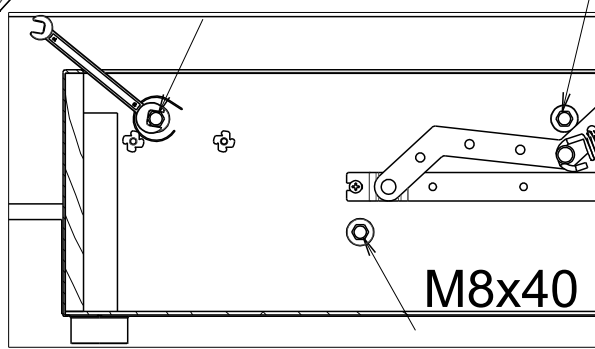
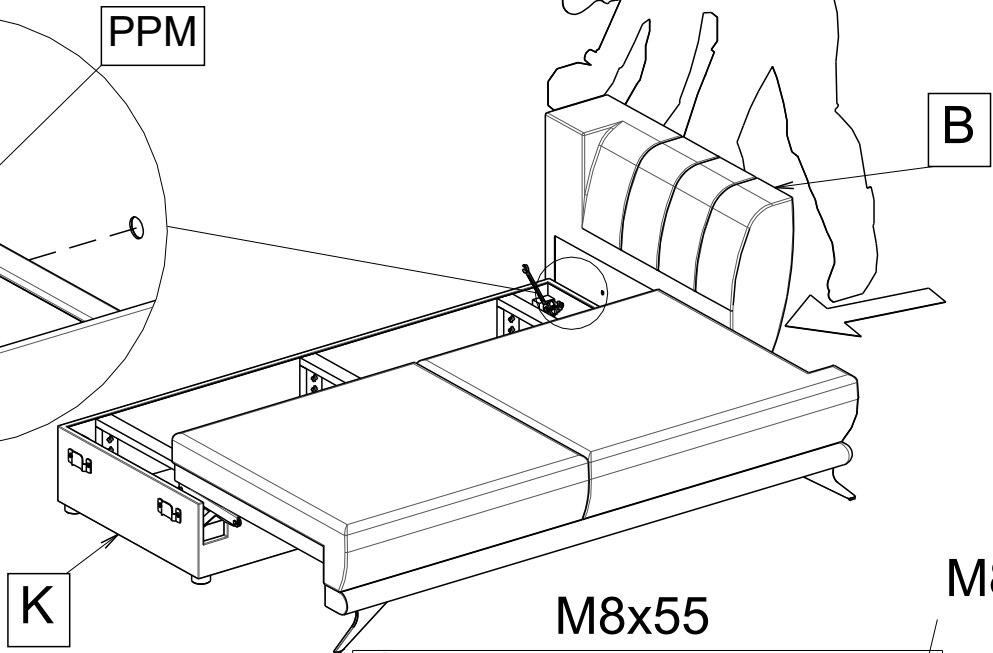
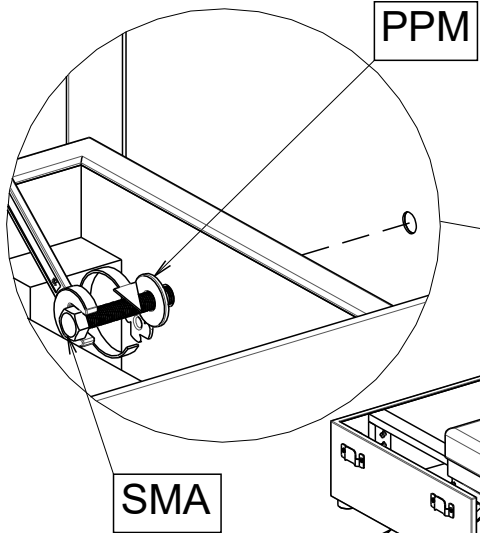
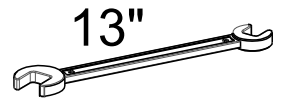
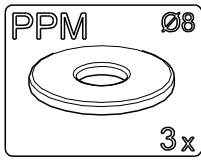
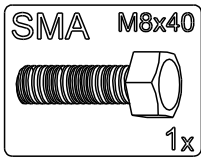
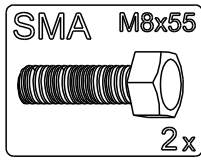
K

NMG R

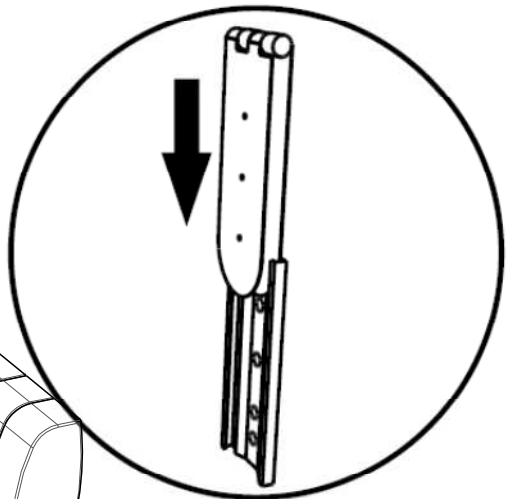
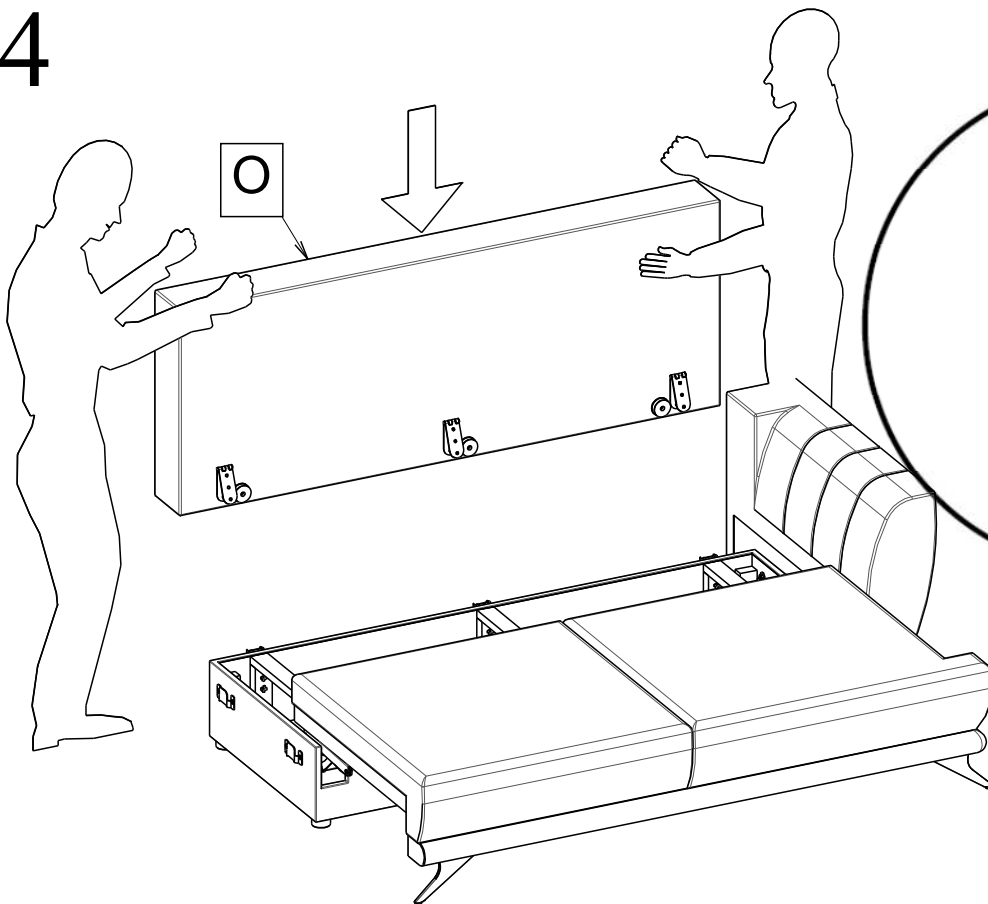
NMG L



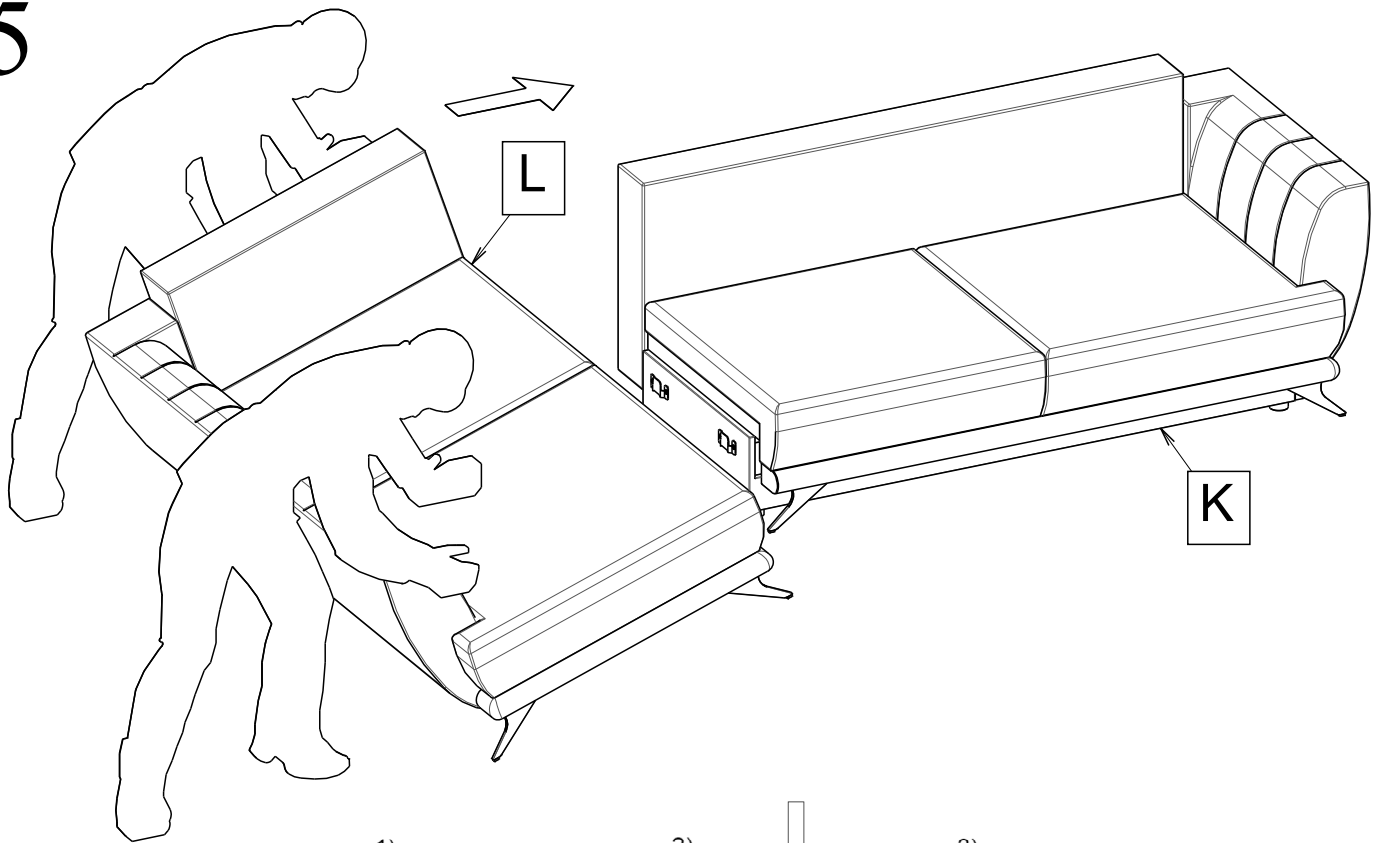
3



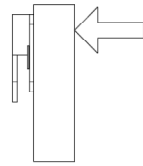
4



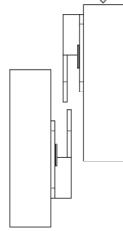
5



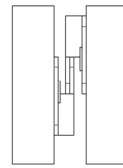
1)



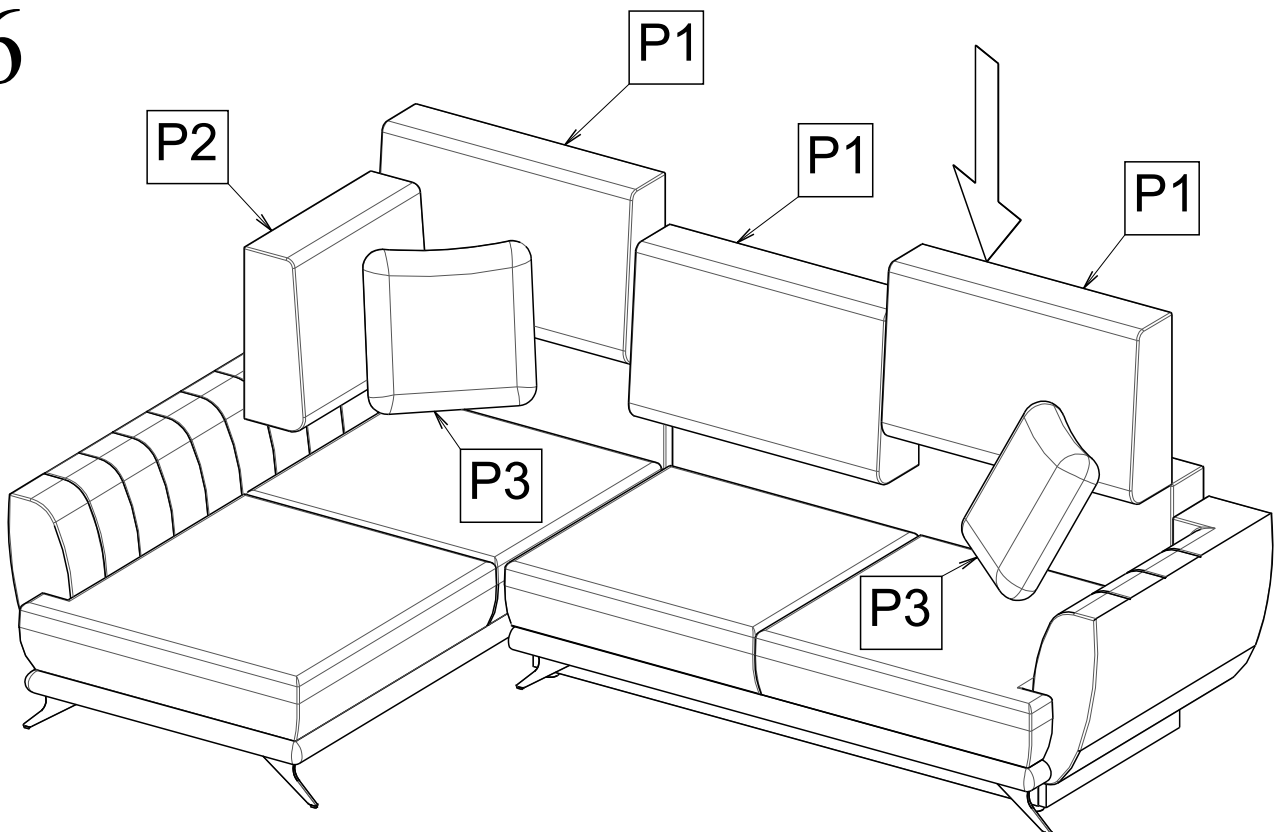
2)



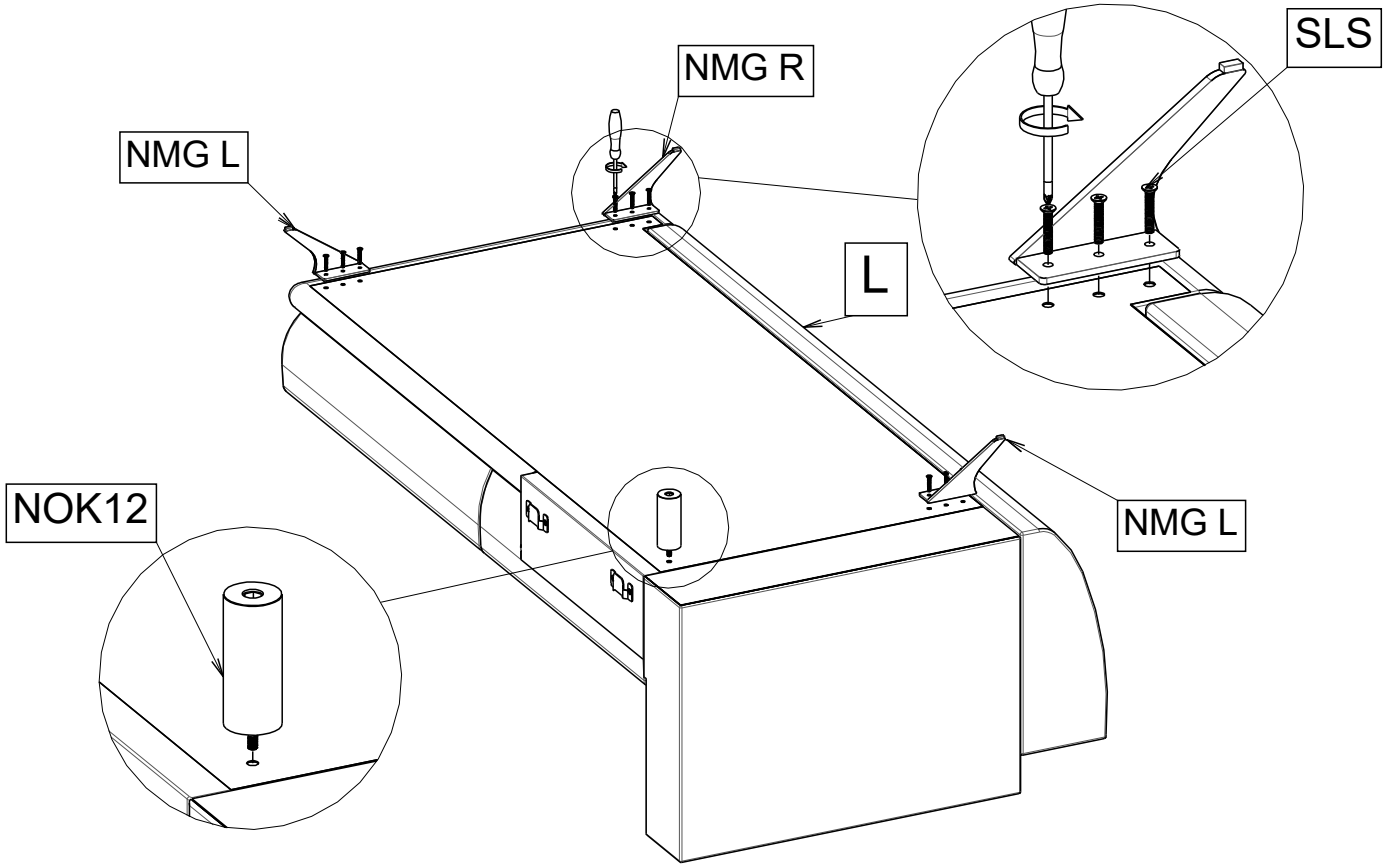
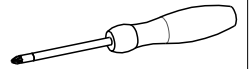
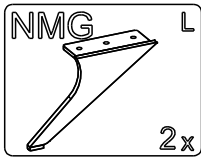
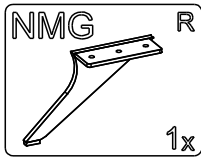
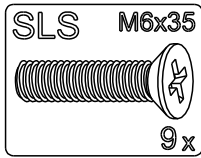
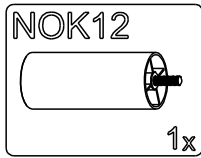
3)



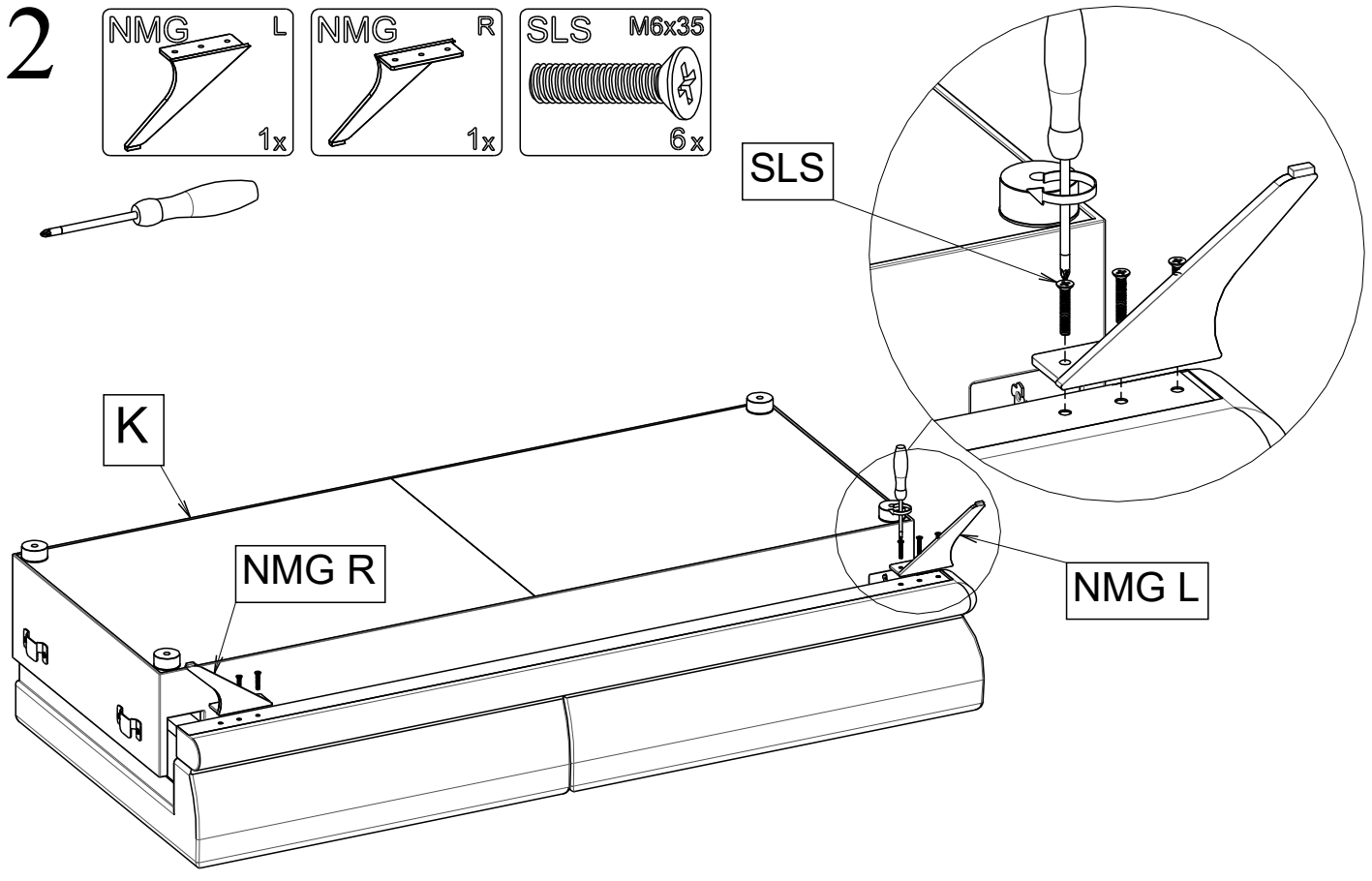
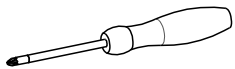
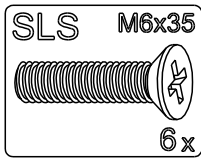
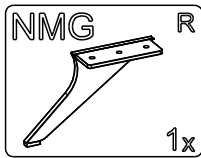
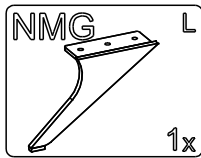
6



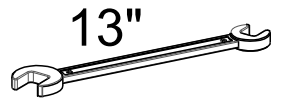
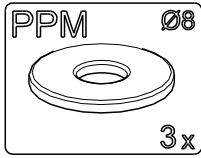
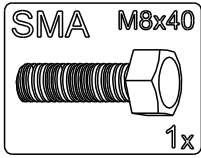
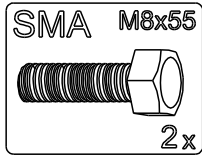
1



2



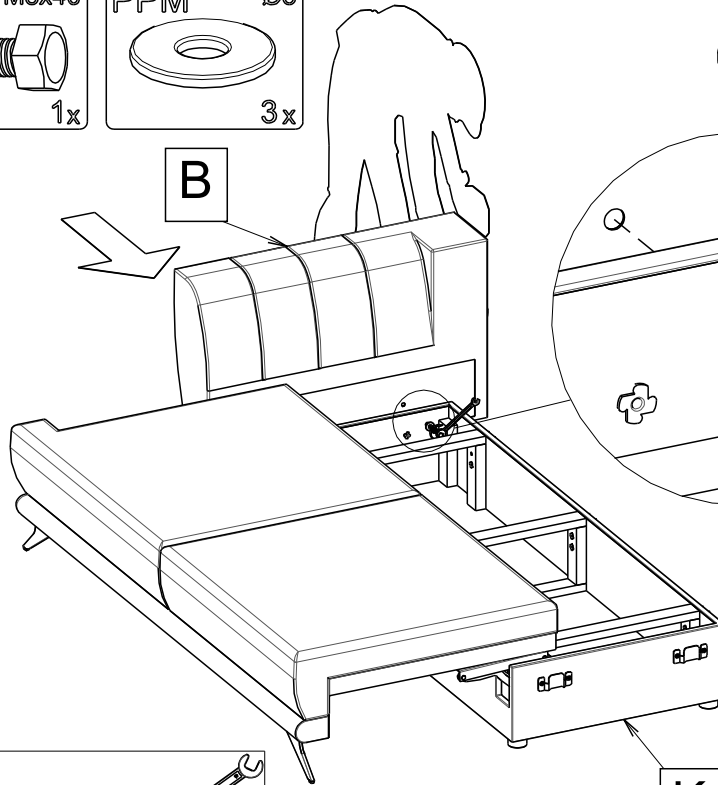
3



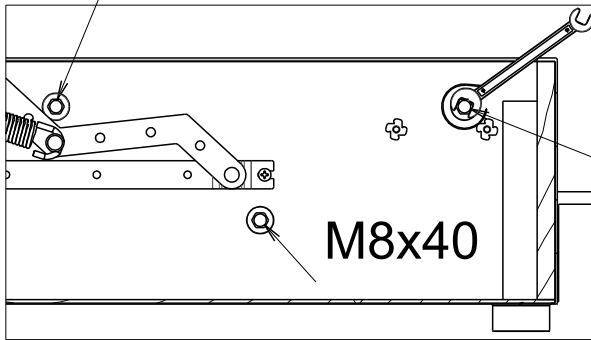
PPM

SMA

B



M8x55

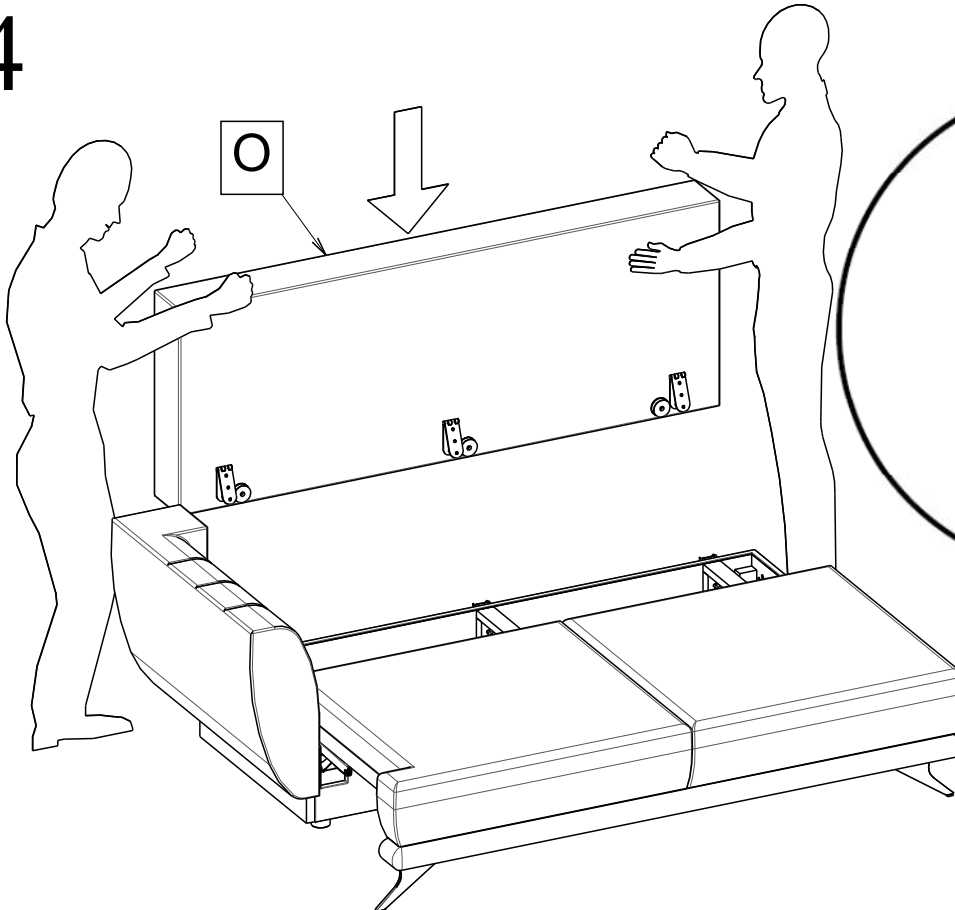


M8x55

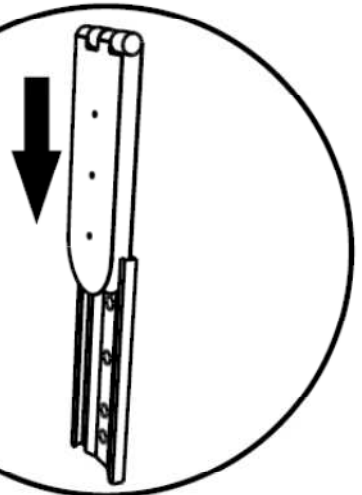
M8x40

K

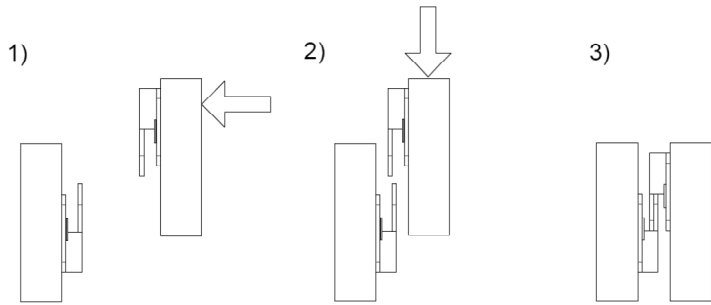
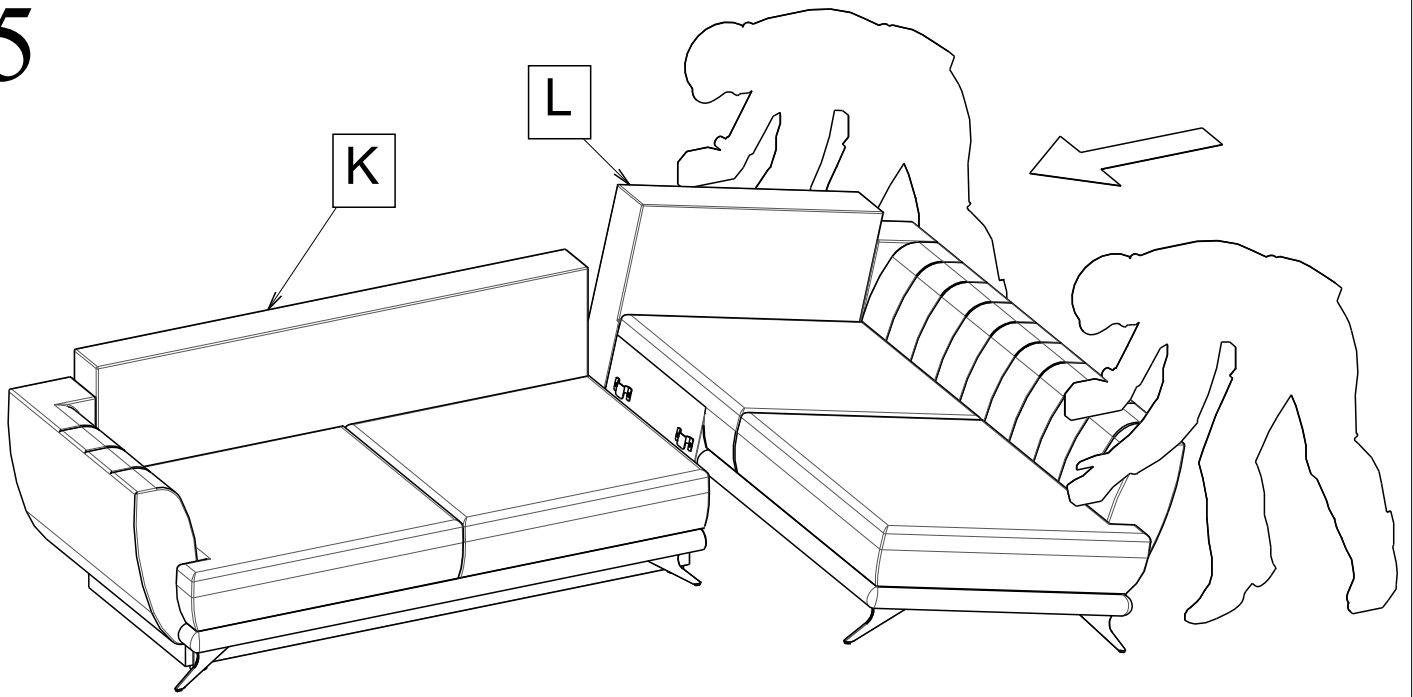
4



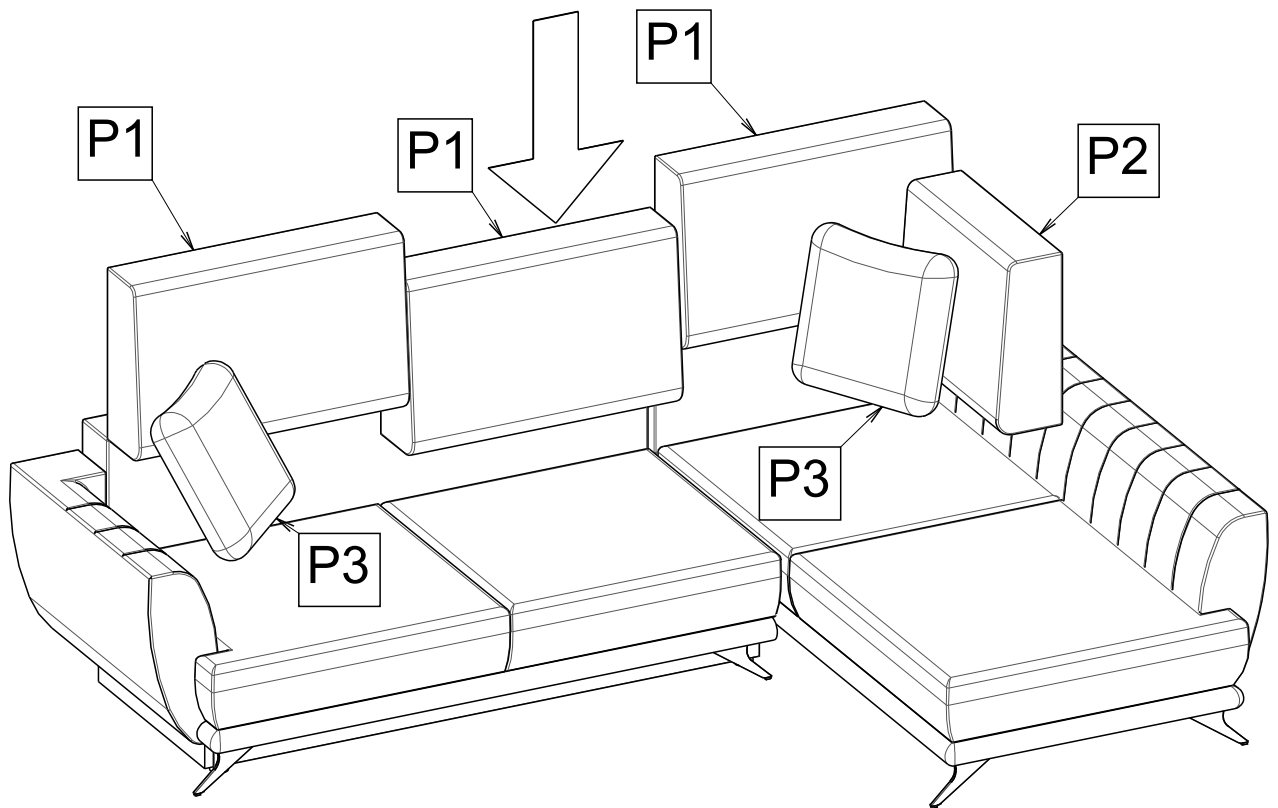
O



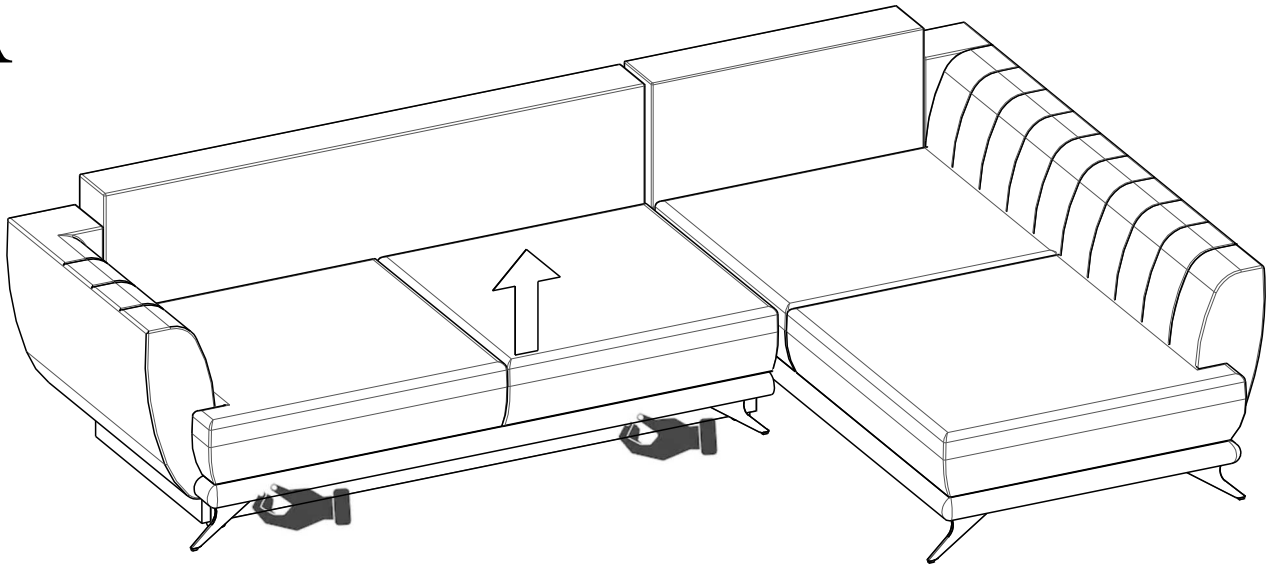
5



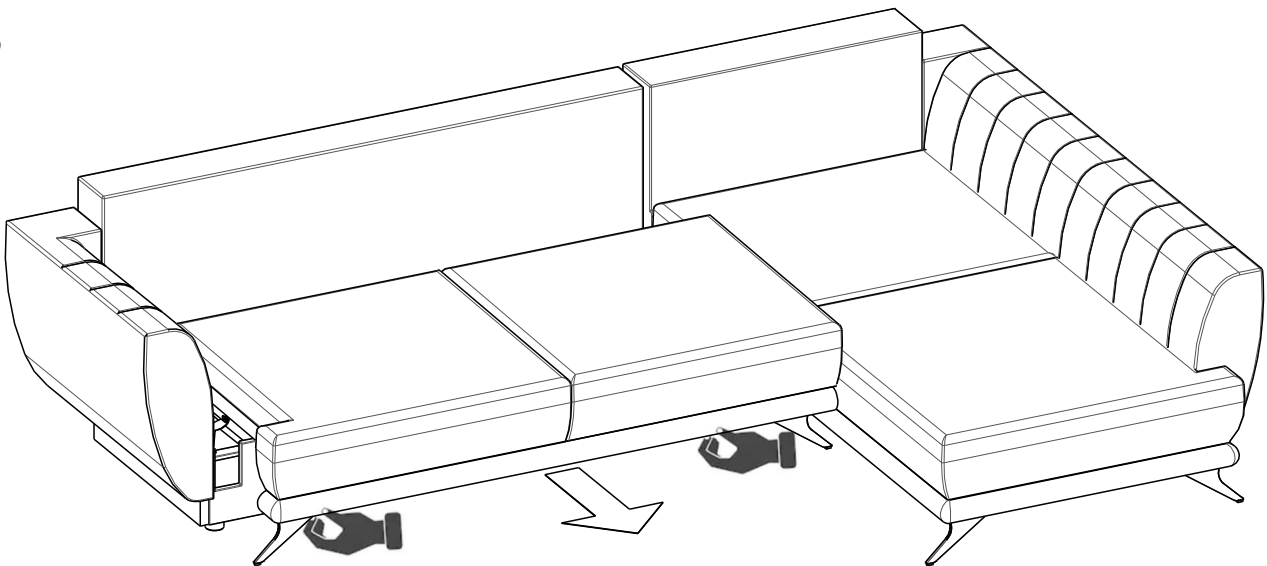
6



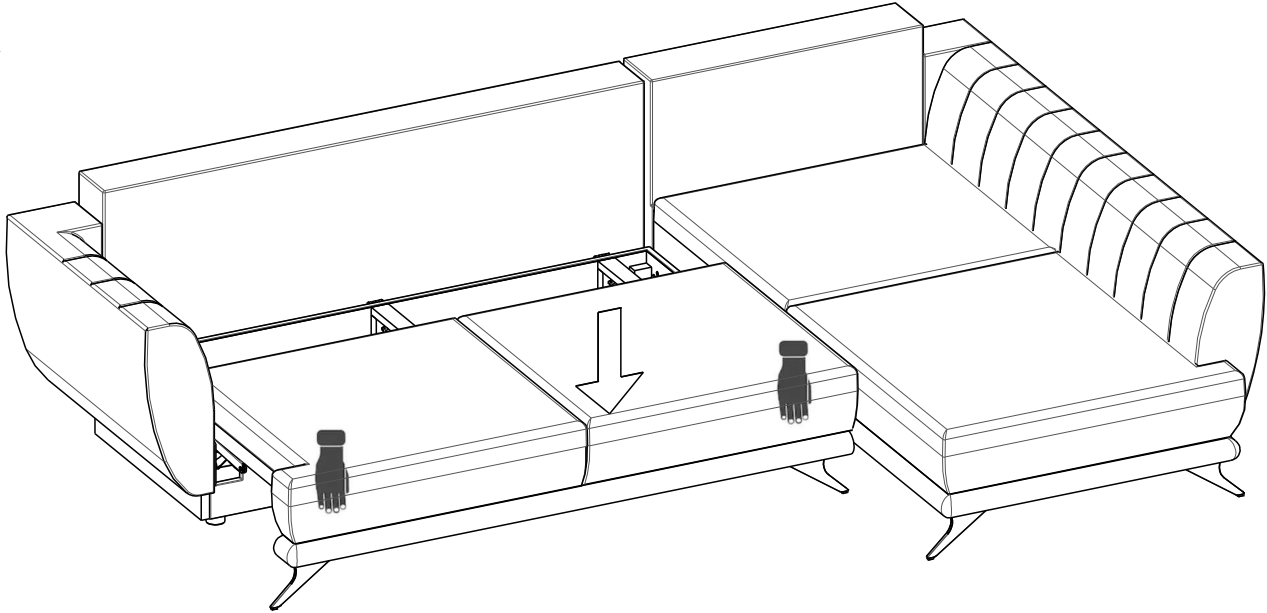
A



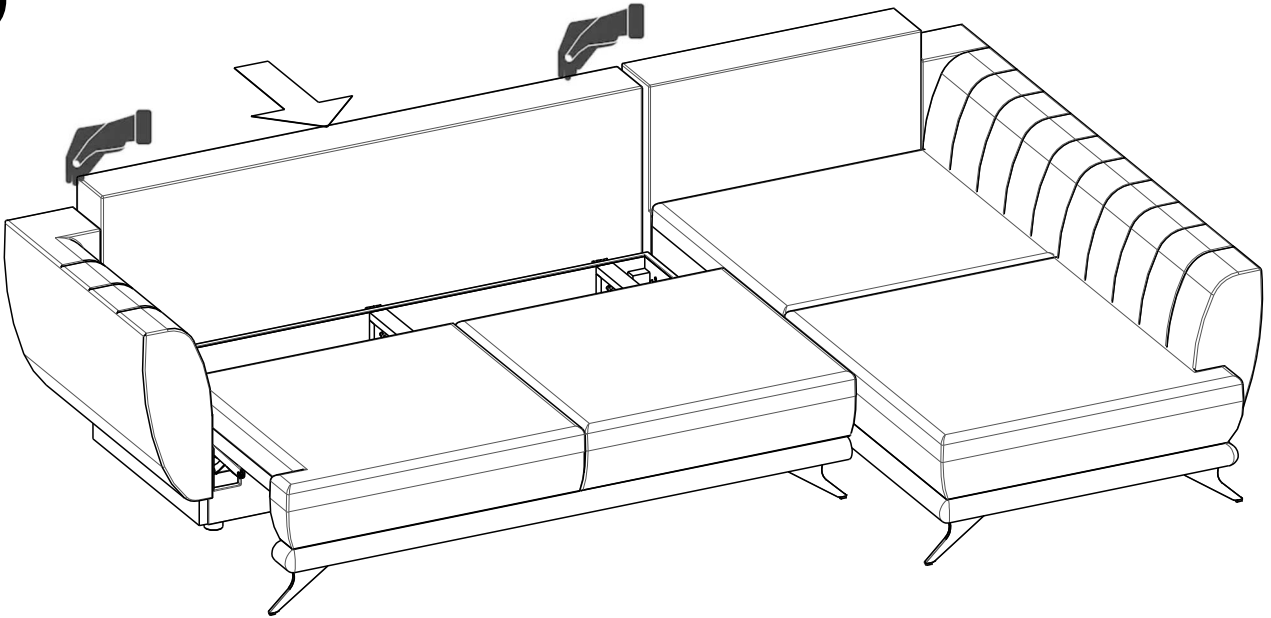
B



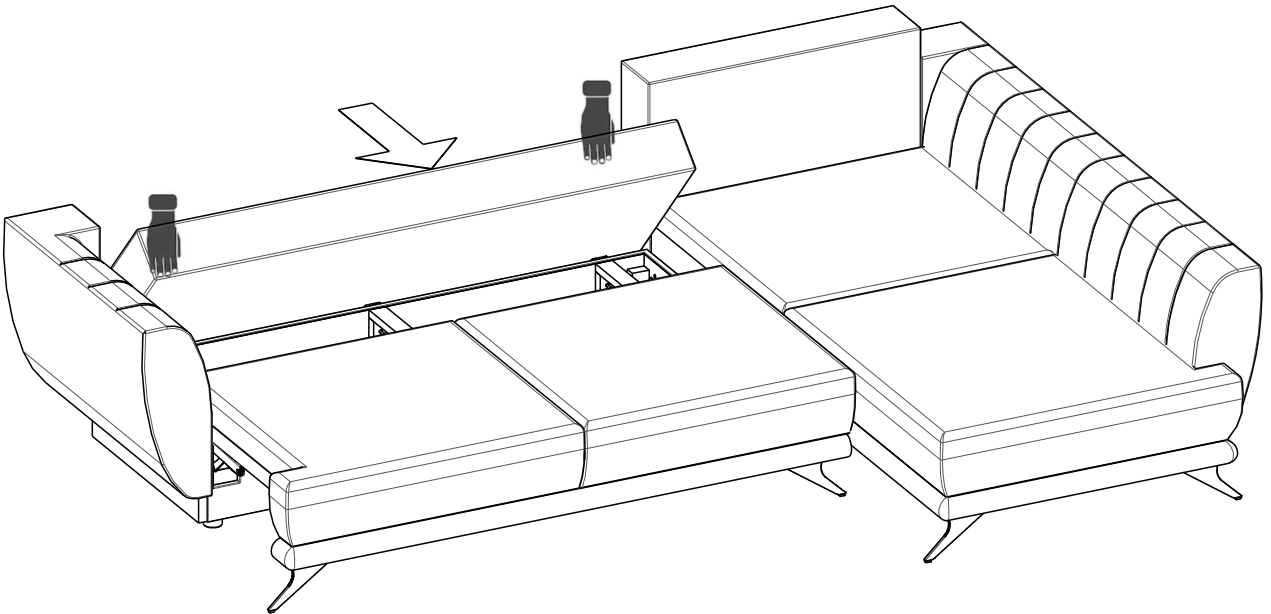
C



D



E



F

