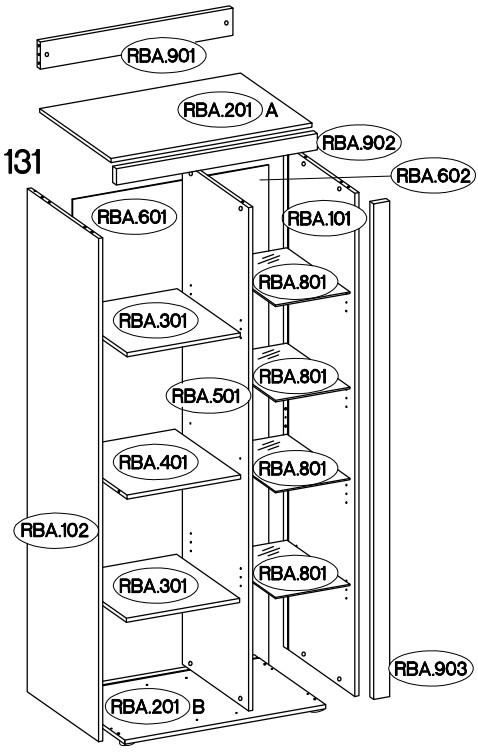
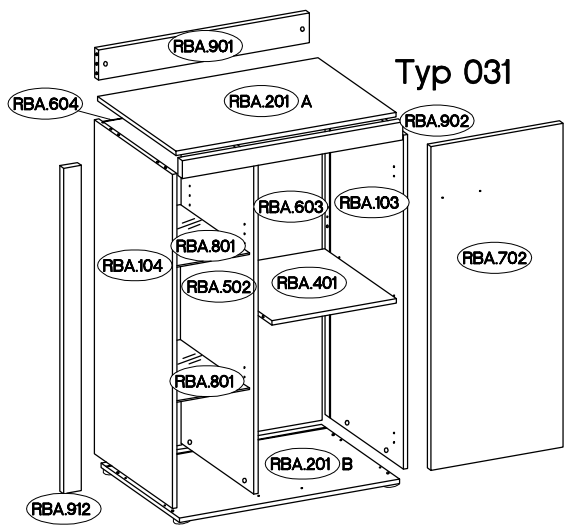


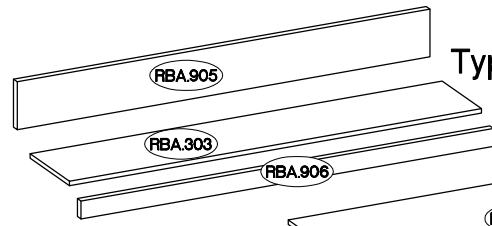
Typ 131



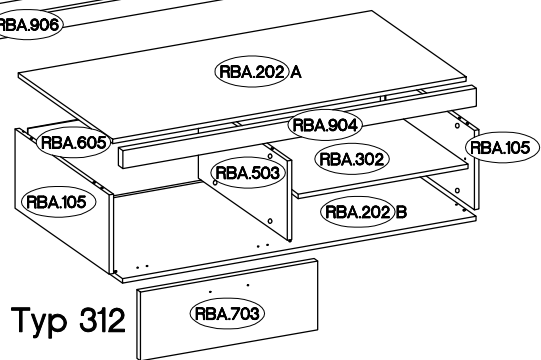
1/3	031	RBA.103	1120x320x15
		RBA.104	1120x320x15
		RBA.604	291x1129x2,5
		RBA.912	1091x60x16
	312	RBA.105	265x384x15 x2
		RBA.202	1200x384,5x15 x2
		RBA.302	576x357x15
		RBA.503	265x362x15
		RBA.605	595x274x2,5
		RBA.703	601x230x15
	481	RBA.303	1398x160x15
		RBA.905	1400x160x15
	RBA.906	1400x60x16	



2/3	131	RBA.201	750x320,5x15 x2
		RBA.301	423x283x14 x2
		RBA.401	424x293x15
		RBA.901	718x100x15
	031	RBA.902	750x60x18
		RBA.201	750x320,5x15 x2
		RBA.401	424x293x15
		RBA.502	1120x298x15
		RBA.603	436x1129x2,5
		RBA.702	450x1085x15
		RBA.901	718x100x15
		RBA.902	750x60x18
RBA.801	278x283x5 x6		

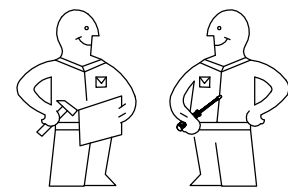
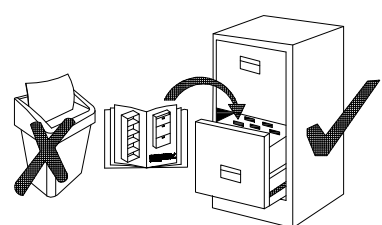


Typ 481




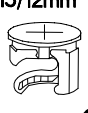
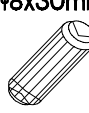
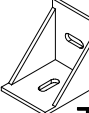
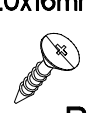
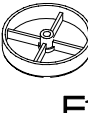
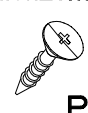
Typ 312

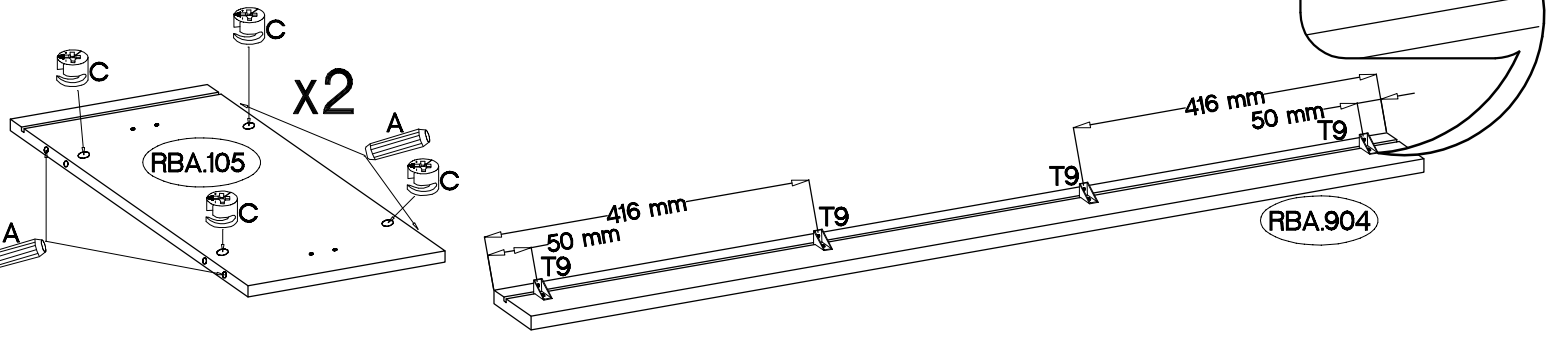
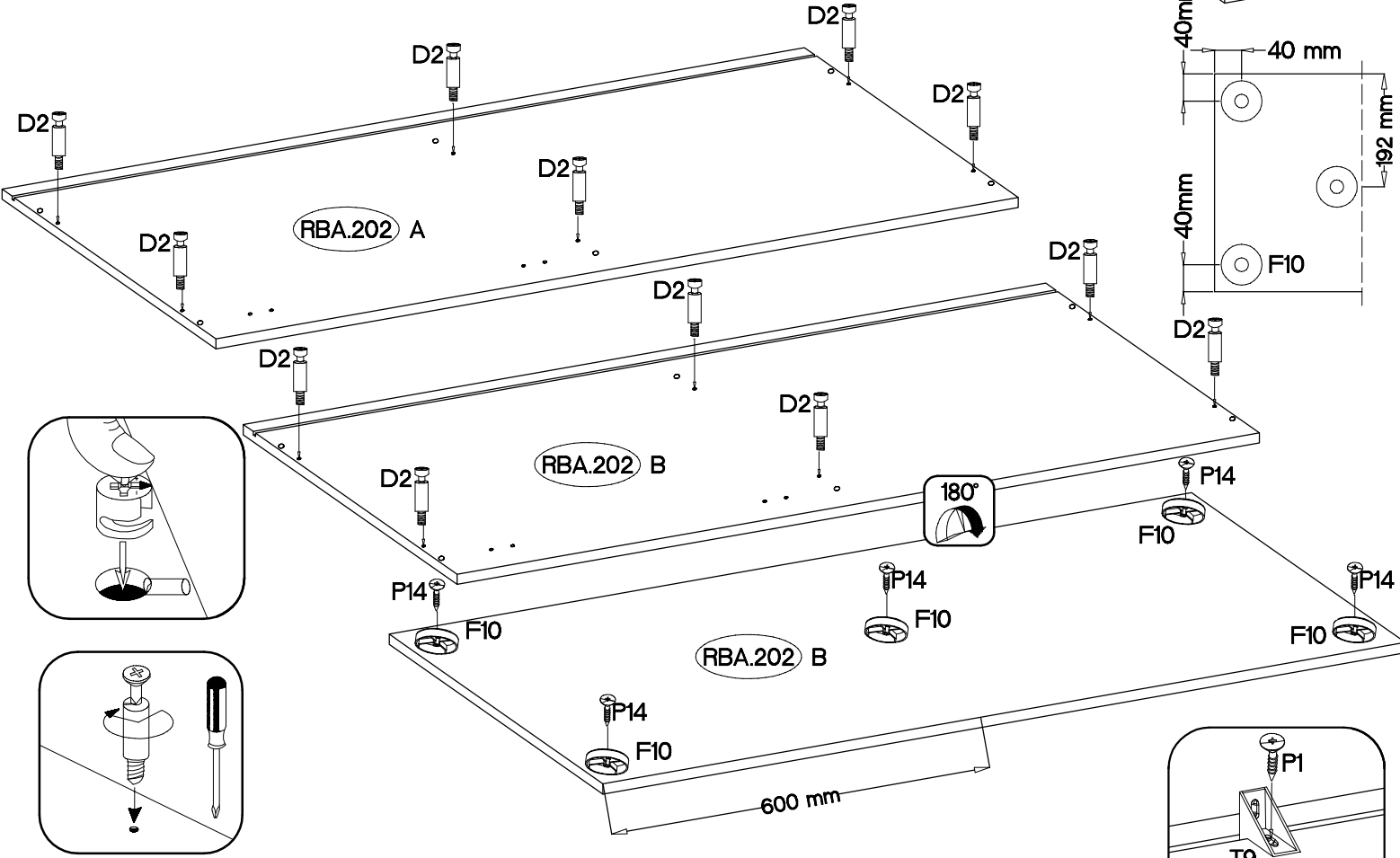
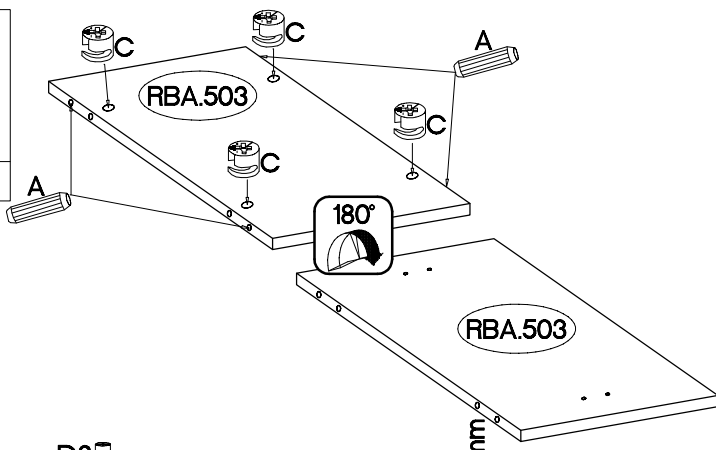
3/3	131	RBA.101	1850x320x15
		RBA.102	1850x320x15
		RBA.501	1850x298x15
		RBA.601	436x1859x2,5
		RBA.602	291x1859x2,5
		RBA.701	450x1815x15
	RBA.903	1821x60x16	






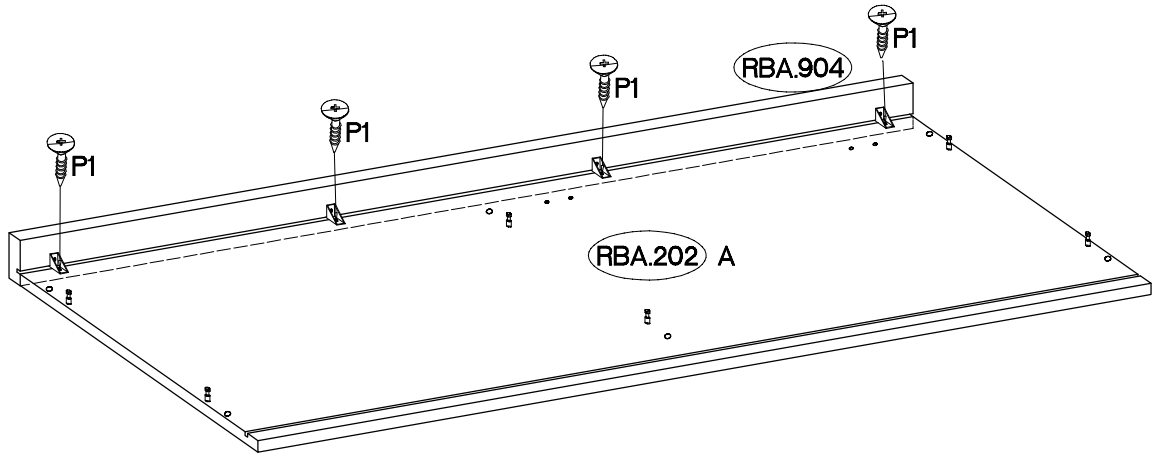
1

L=20mm  <b>D2</b> 12	±15/12mm  <b>C</b> 12	±8x30mm  <b>A</b> 12	 <b>T9</b> 4	±4.0x16mm  <b>P1</b> 4
 <b>F10</b> 5	±4.0x25mm  <b>P14</b> 5			

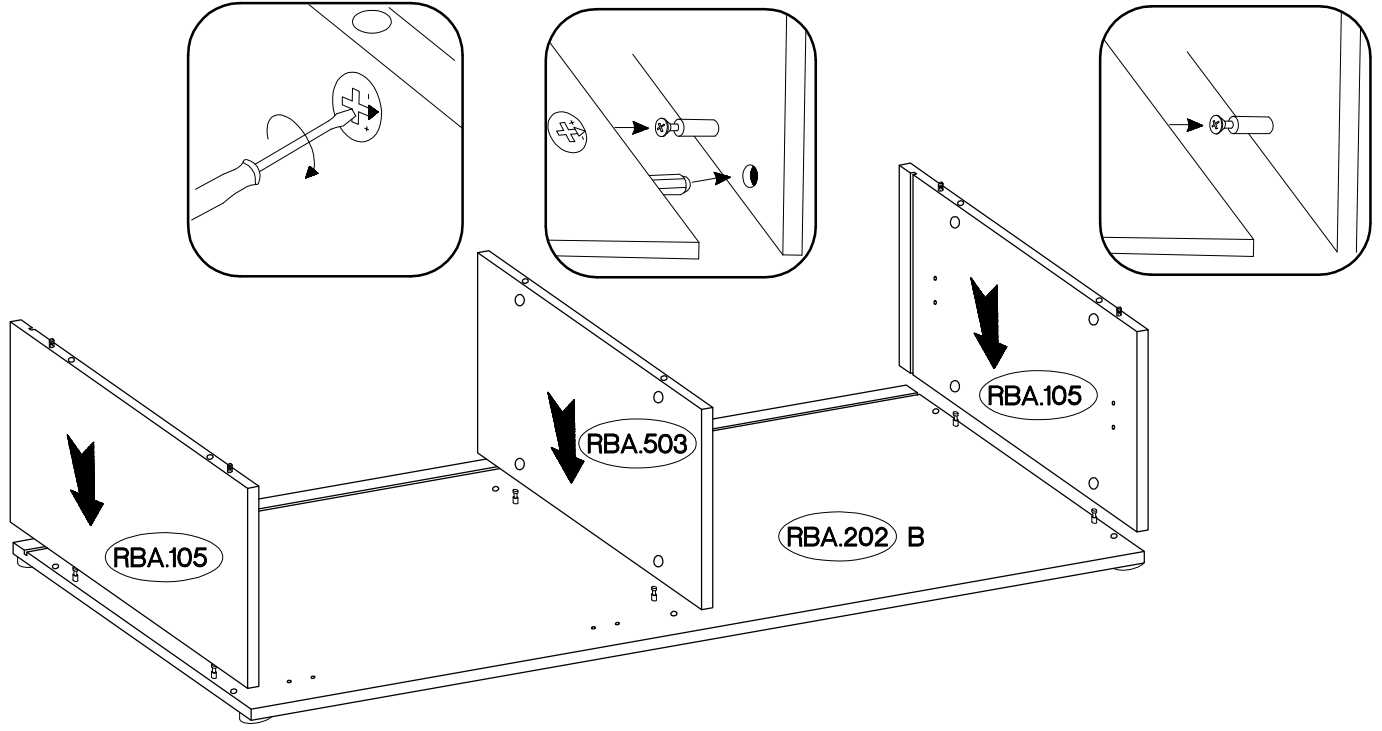


2

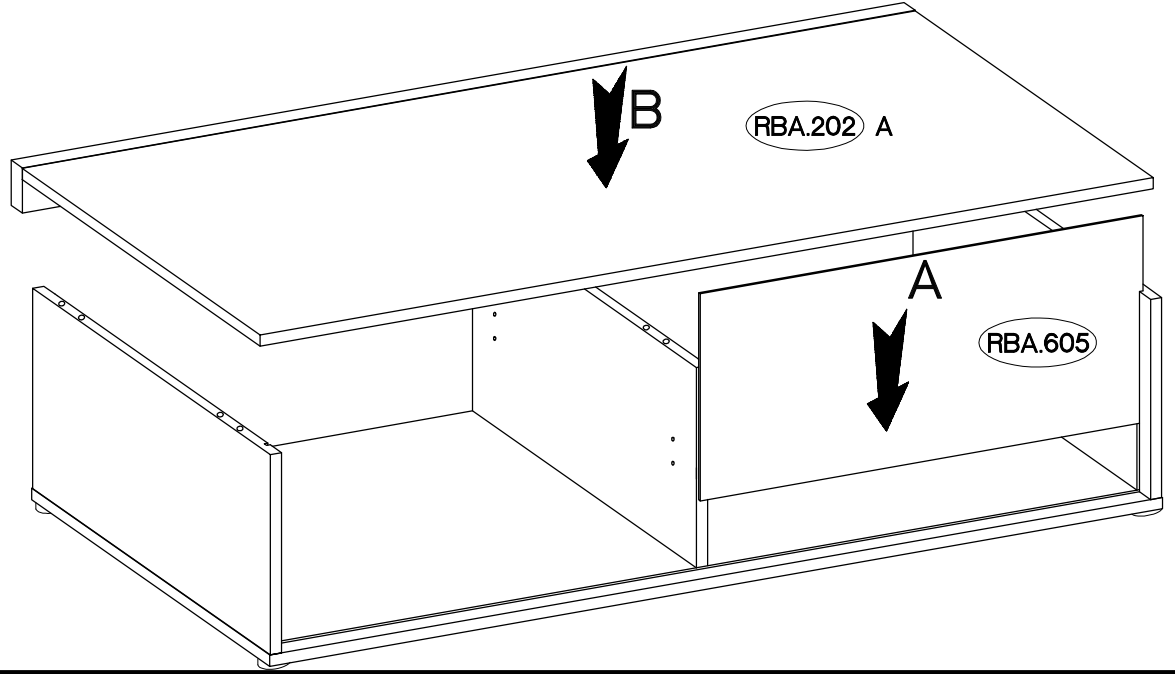
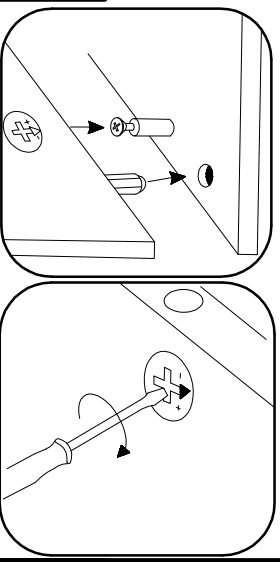
±4.0x16mm  <b>P1</b> 4
--



3

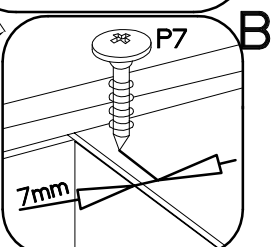
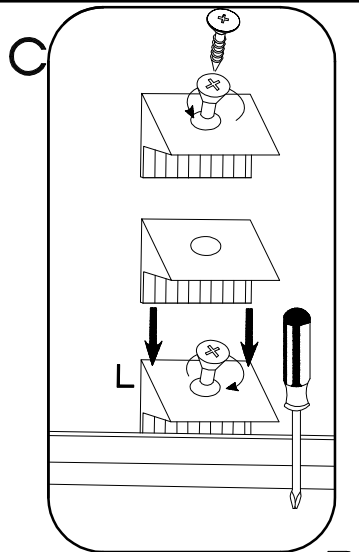
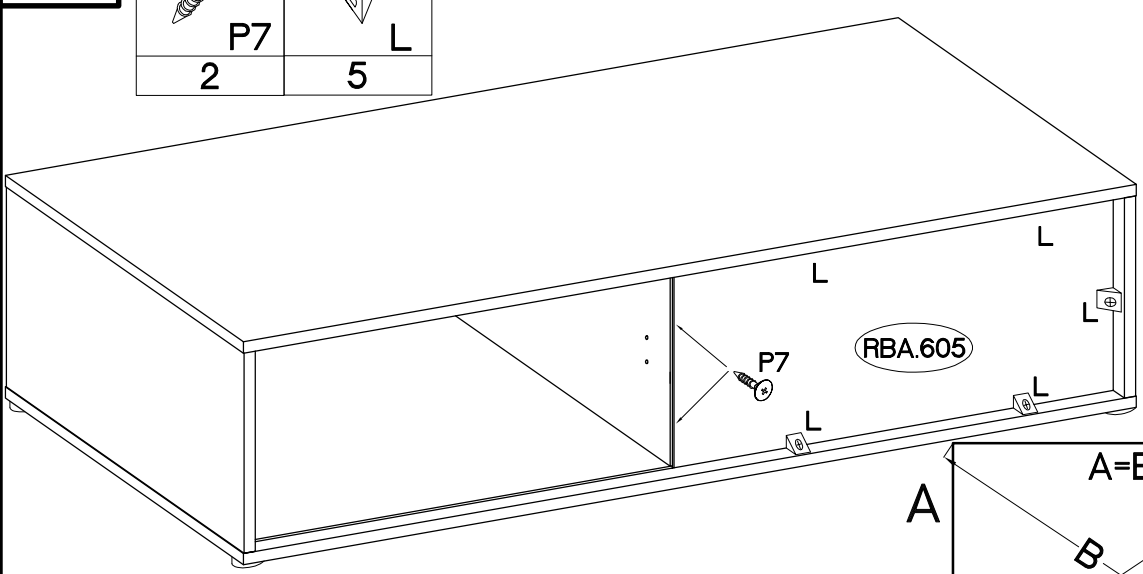


4

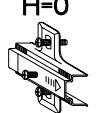





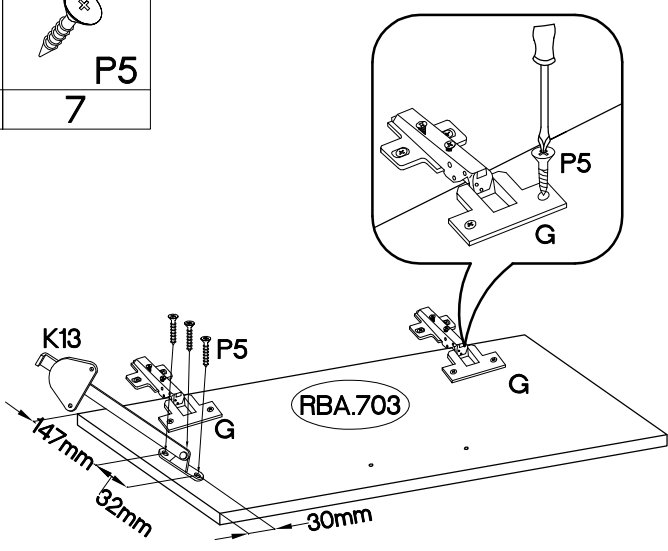
5

#3.0x20mm	
P7	L
2	5








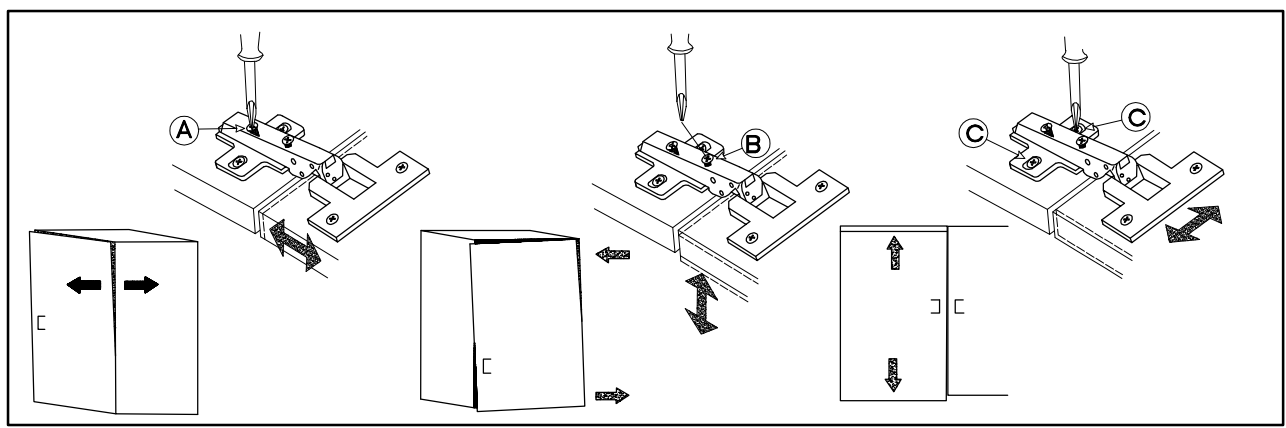
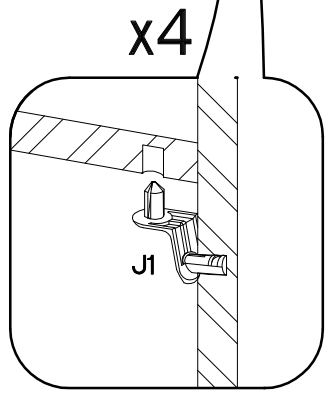
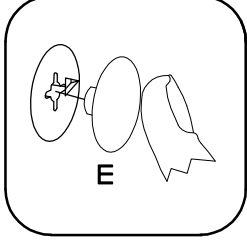
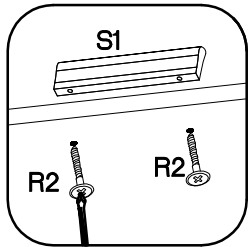
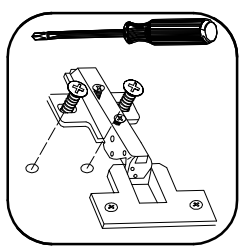
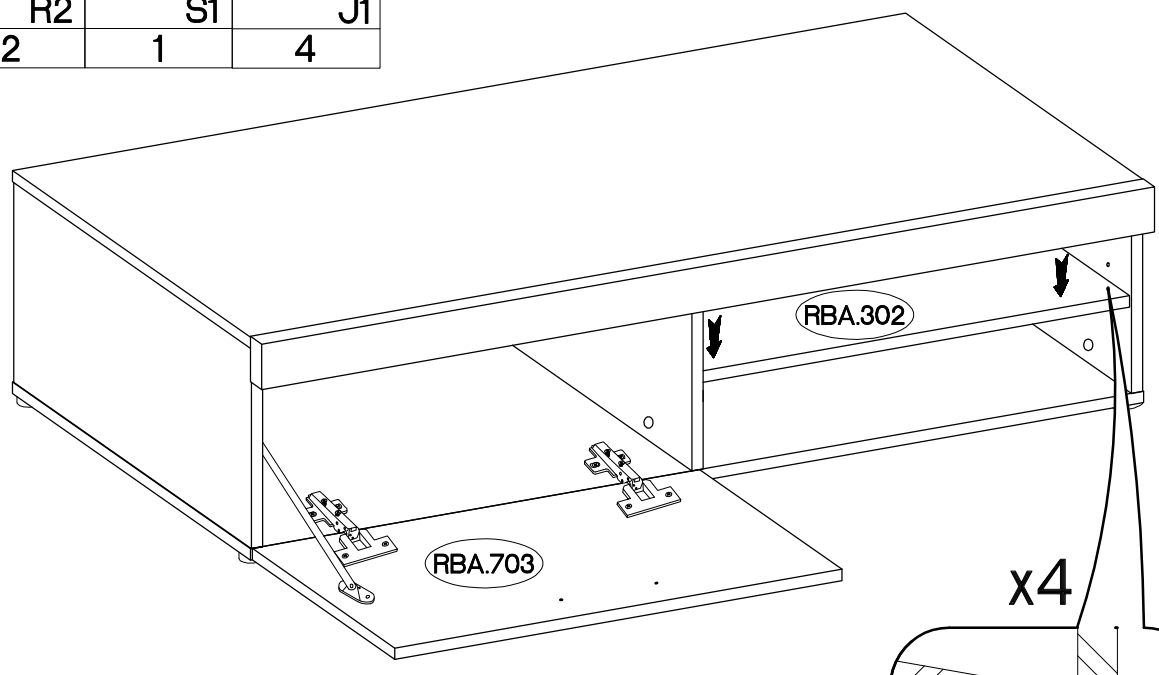
6

H=0  H 2	±35/0mm  G 2	±3.5x13mm  P5 7
 K13 1		



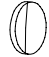
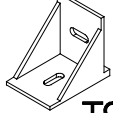



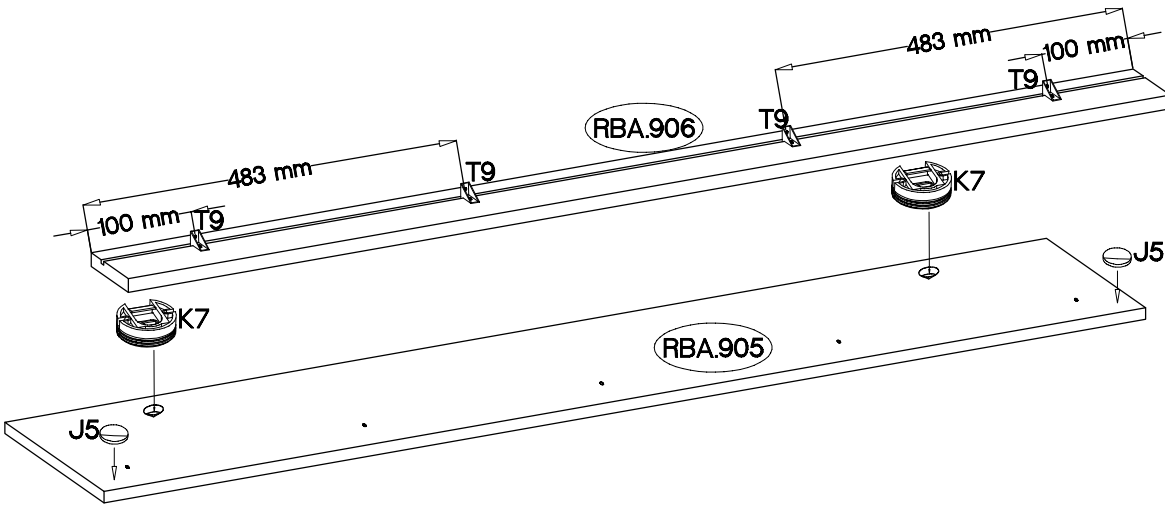
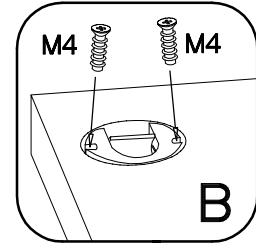
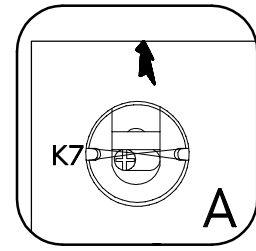
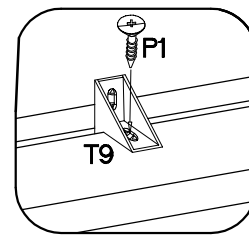
7

 E 12	±4.0x30mm  R2 2	L=128mm  S1 1	 J1 4
±3.0x16mm  P11 3			




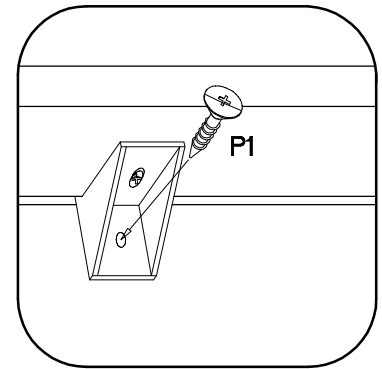
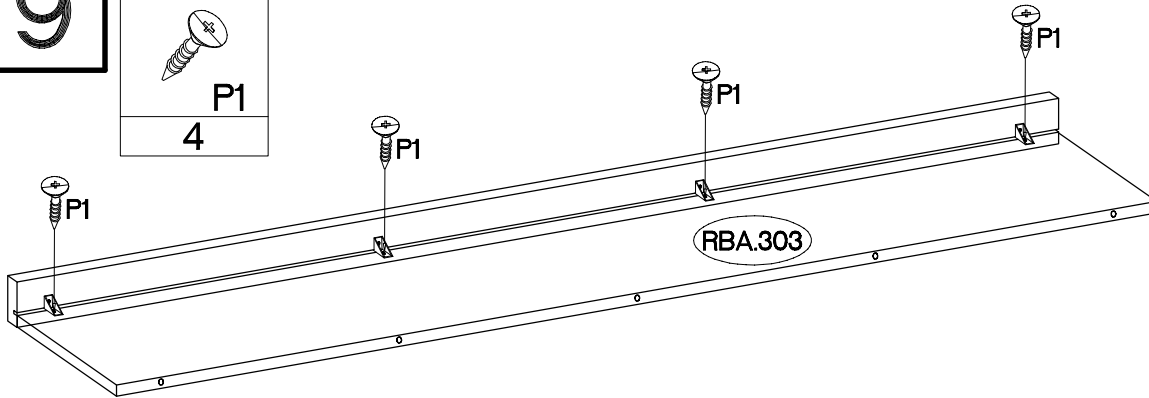
# 8

 K7	$\pm 6,3 \times 9 \text{ mm}$  M4	$\pm 7 / 2 \text{ mm}$  J5	 T9	$\pm 4.0 \times 16 \text{ mm}$  P1
2	4	2	4	4


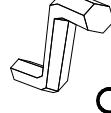


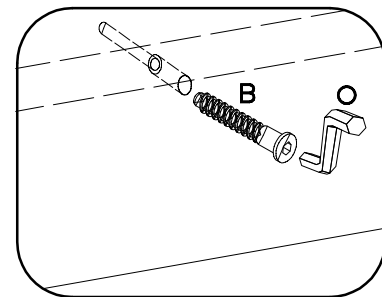
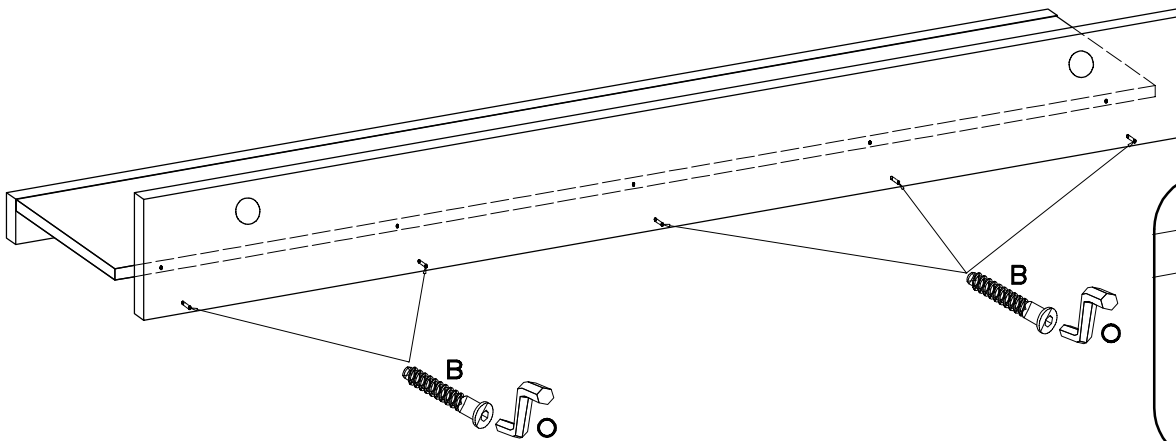
# 9

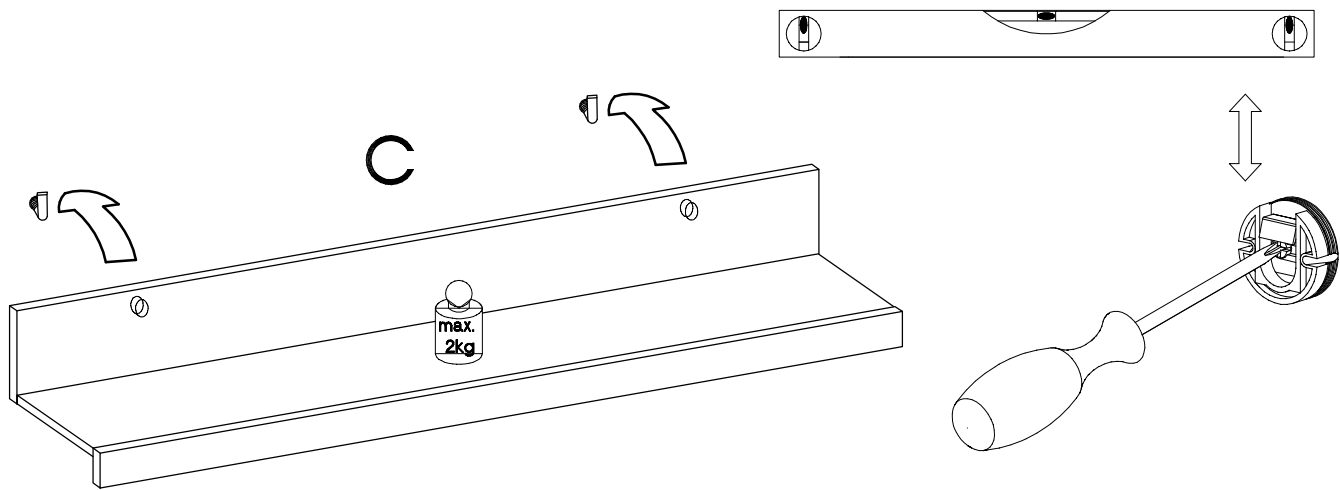
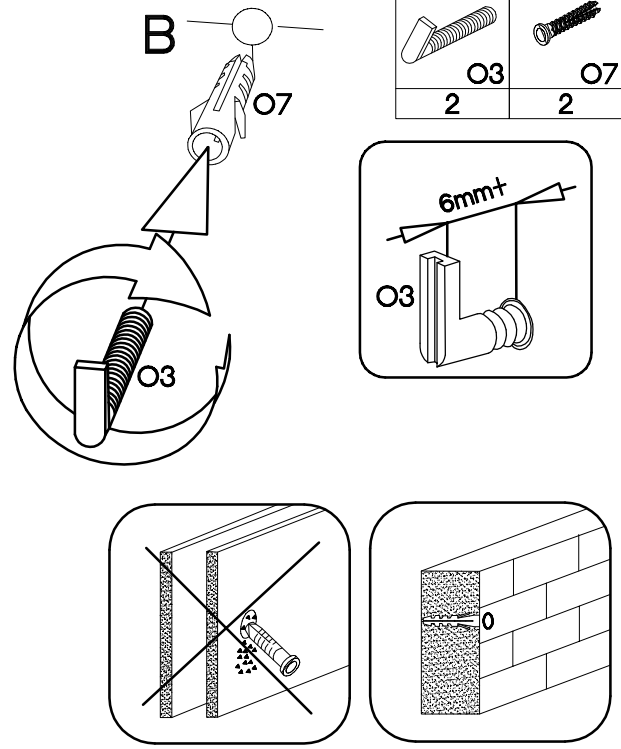
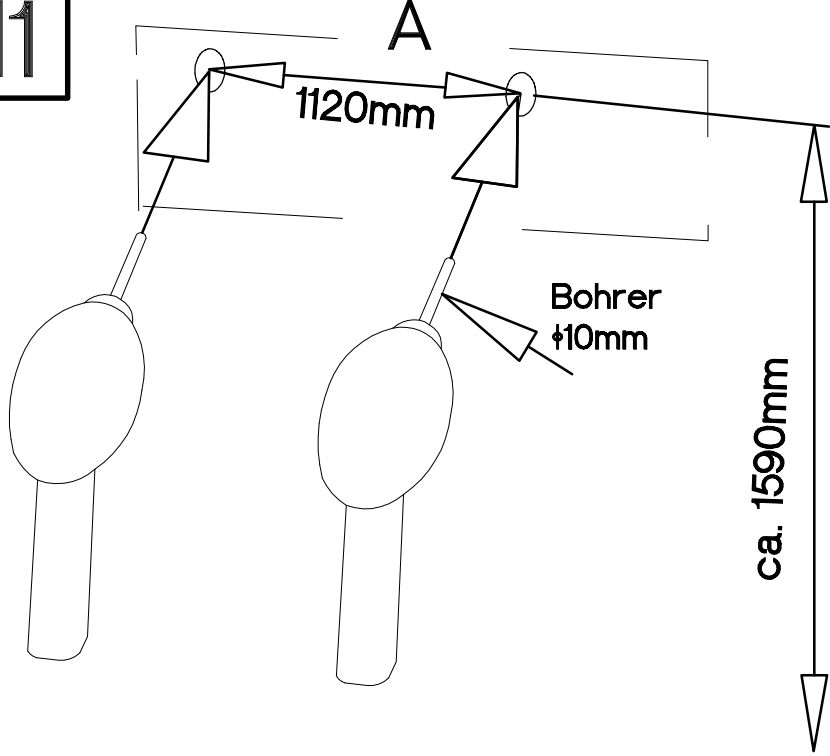
$\pm 4.0 \times 16 \text{ mm}$  P1
4



# 10

$6,4 \times 50 \text{ mm}$  B	 O
5	1

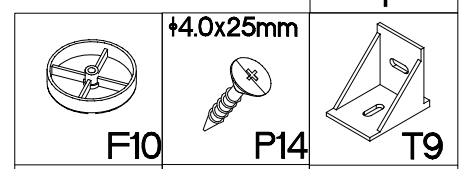
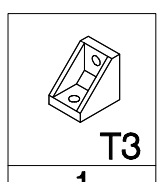
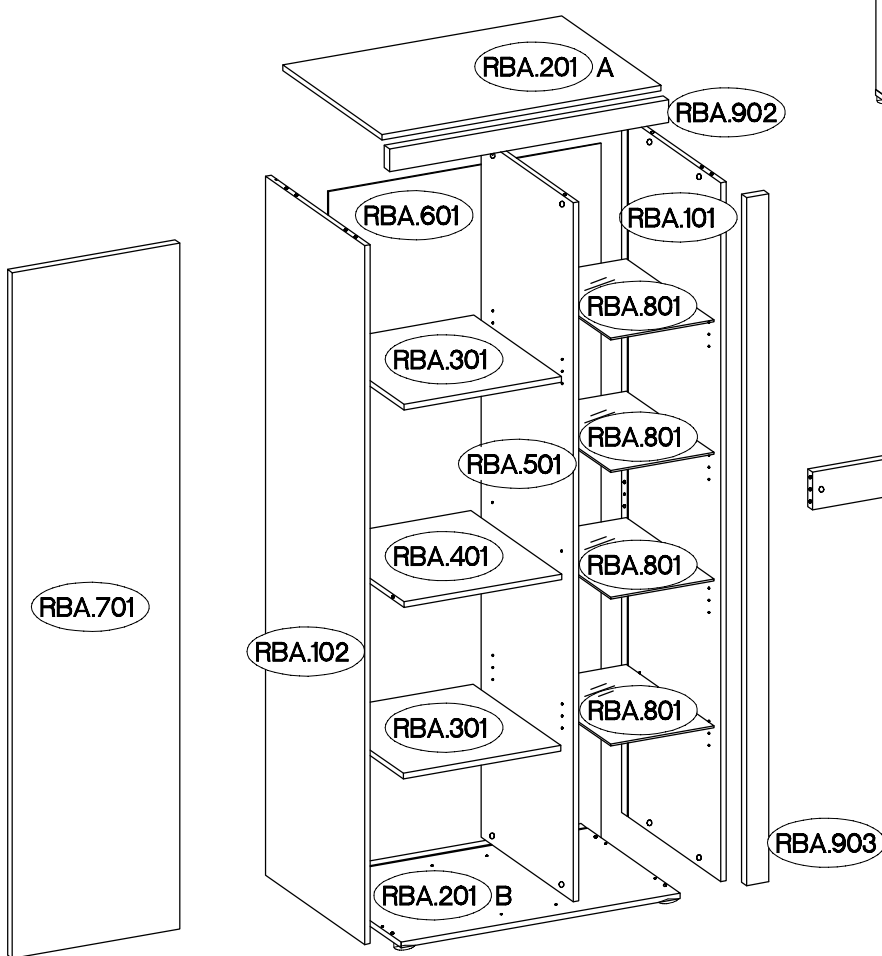
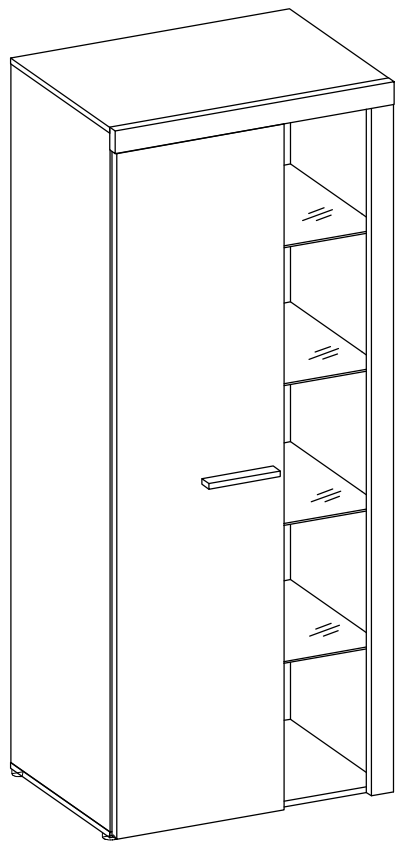





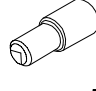

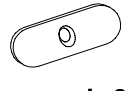

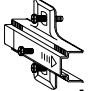
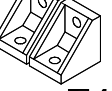





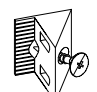
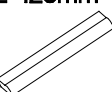
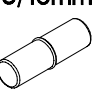



RBA.801 = max. 2kg

RBA.301 = max. 5kg

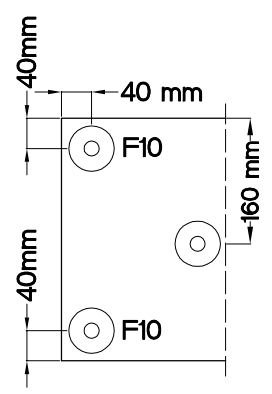
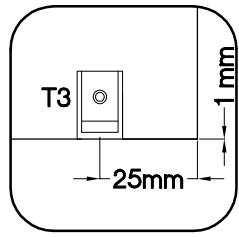
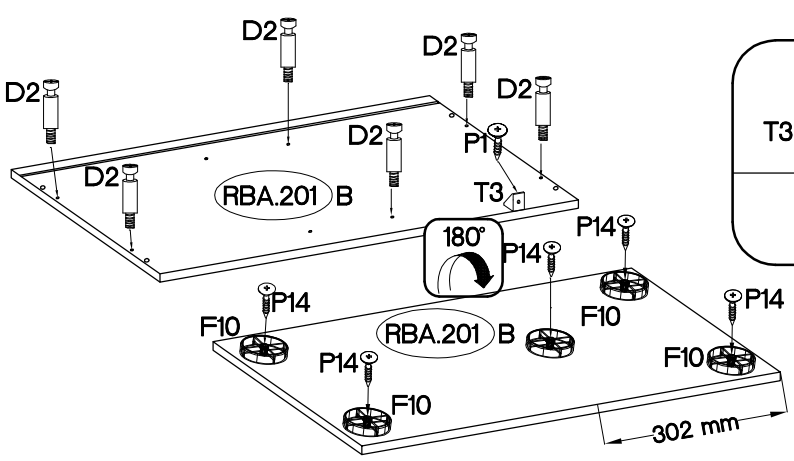
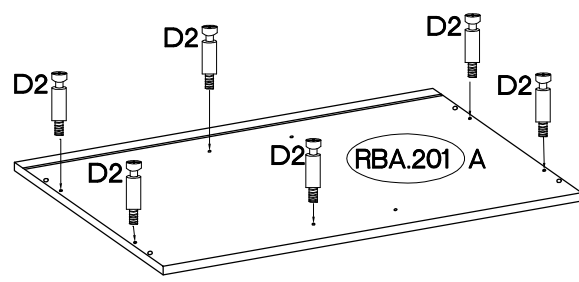
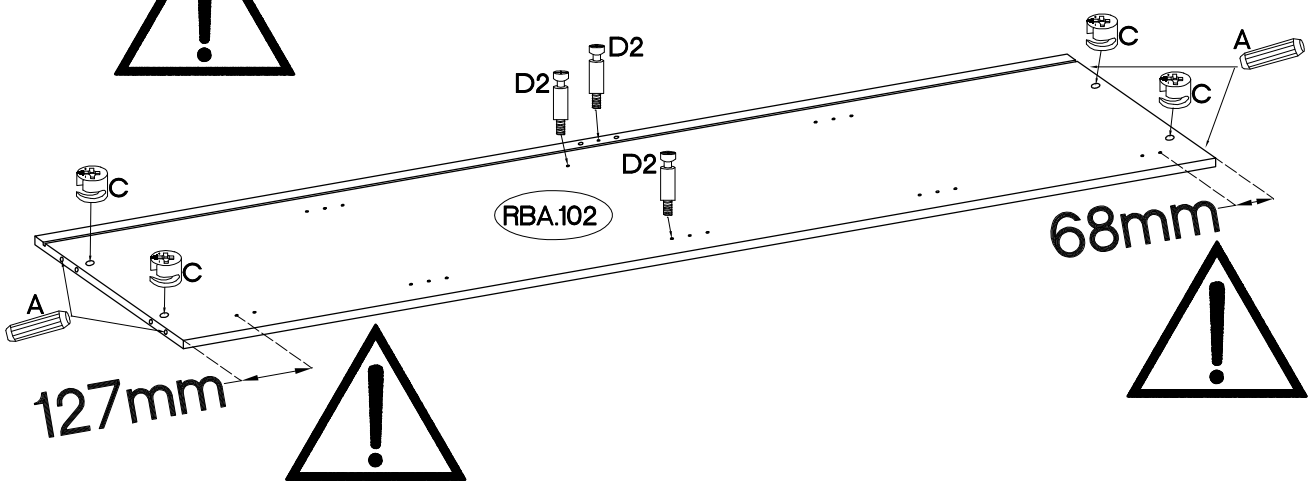
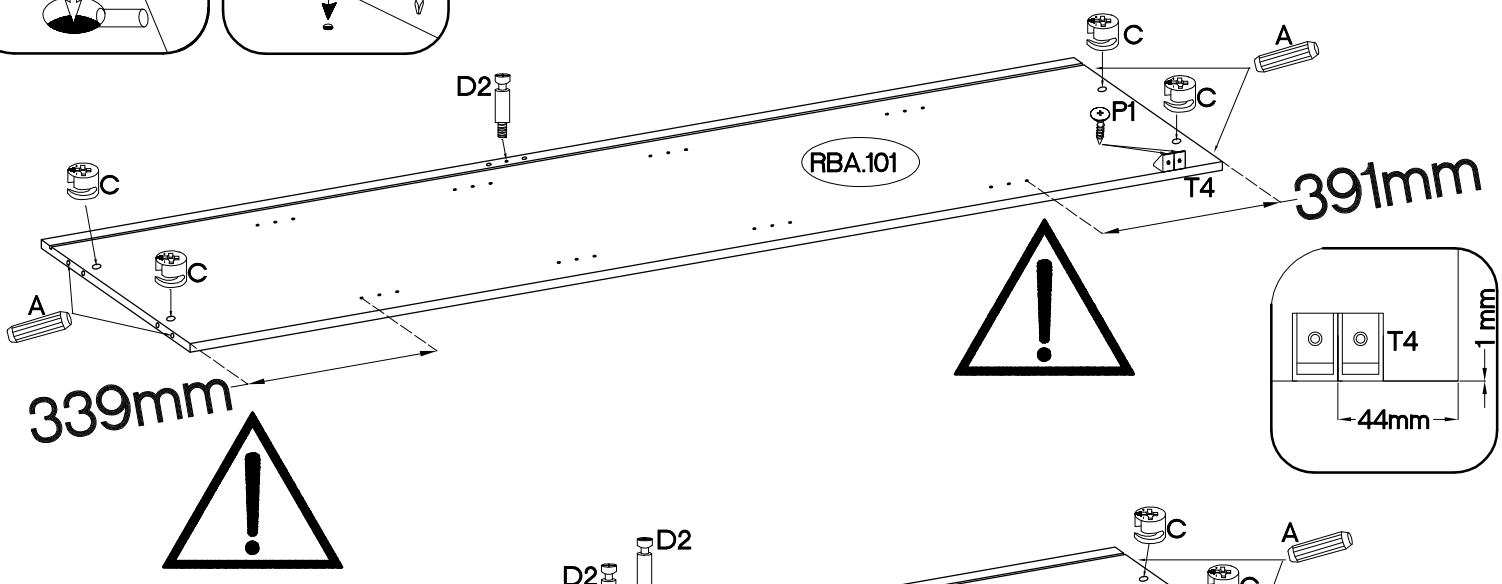
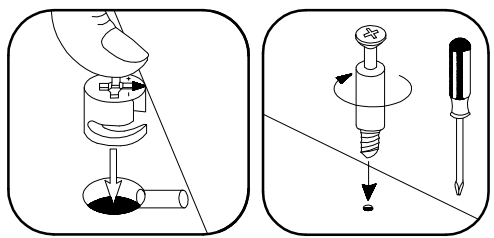
RBA.401

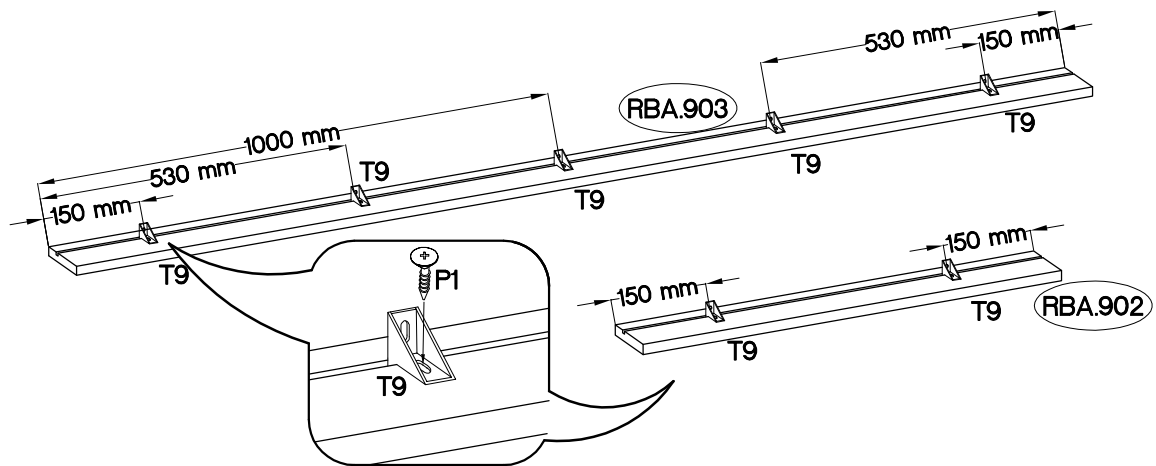
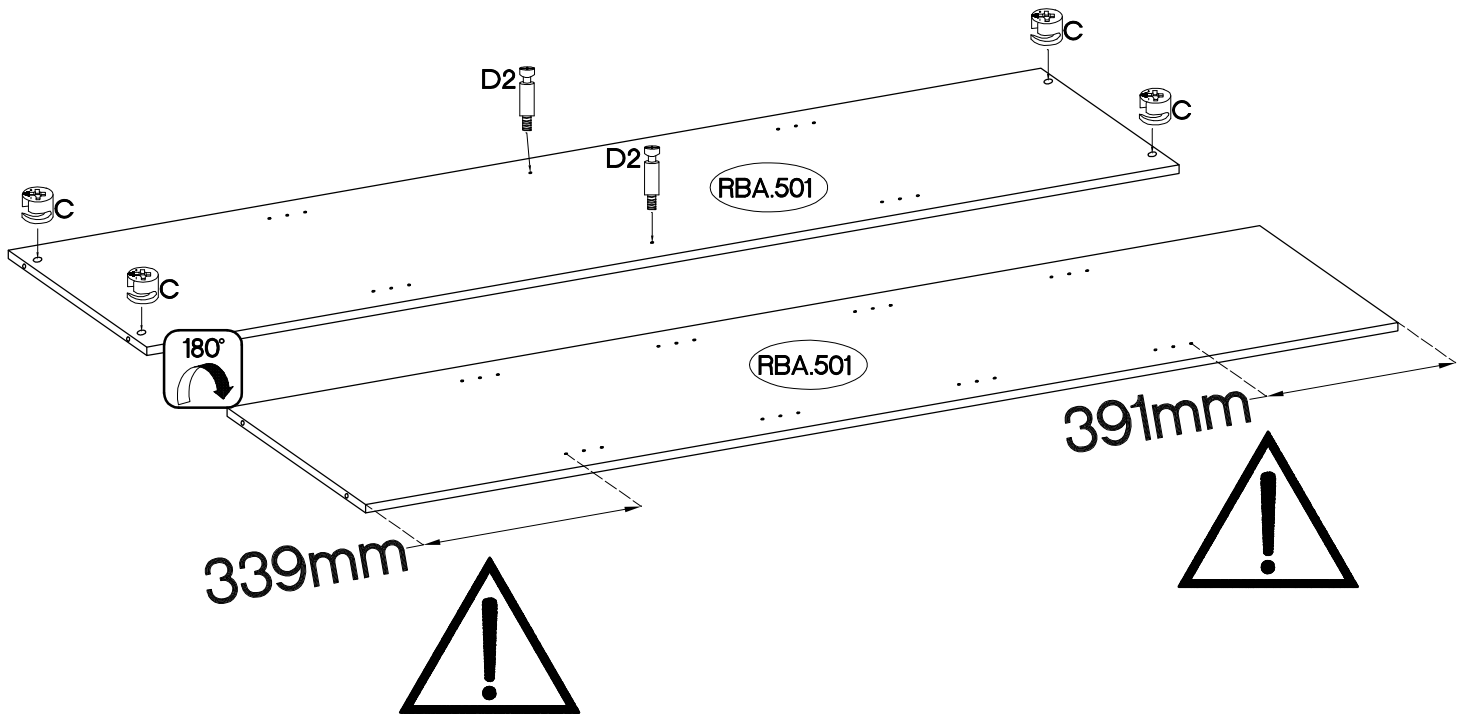
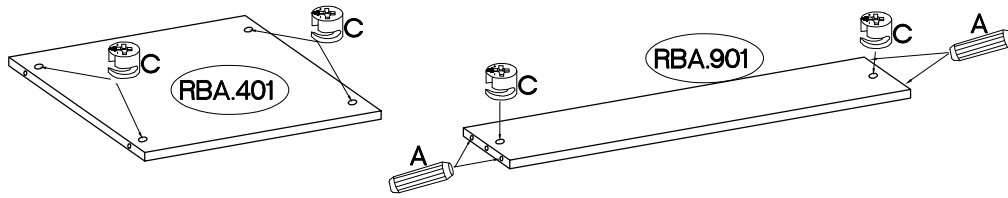
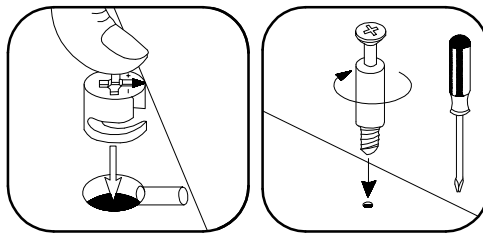


 O7	 L9	 E	 J12	 P5	 L2	 P1	 H	 T4
1	1	16	16	7	10	20	3	1
 R2	 P7	 D2	 C	 A	 12	 S1	 J3	 G
2	9	18	18	12	12	1	8	3

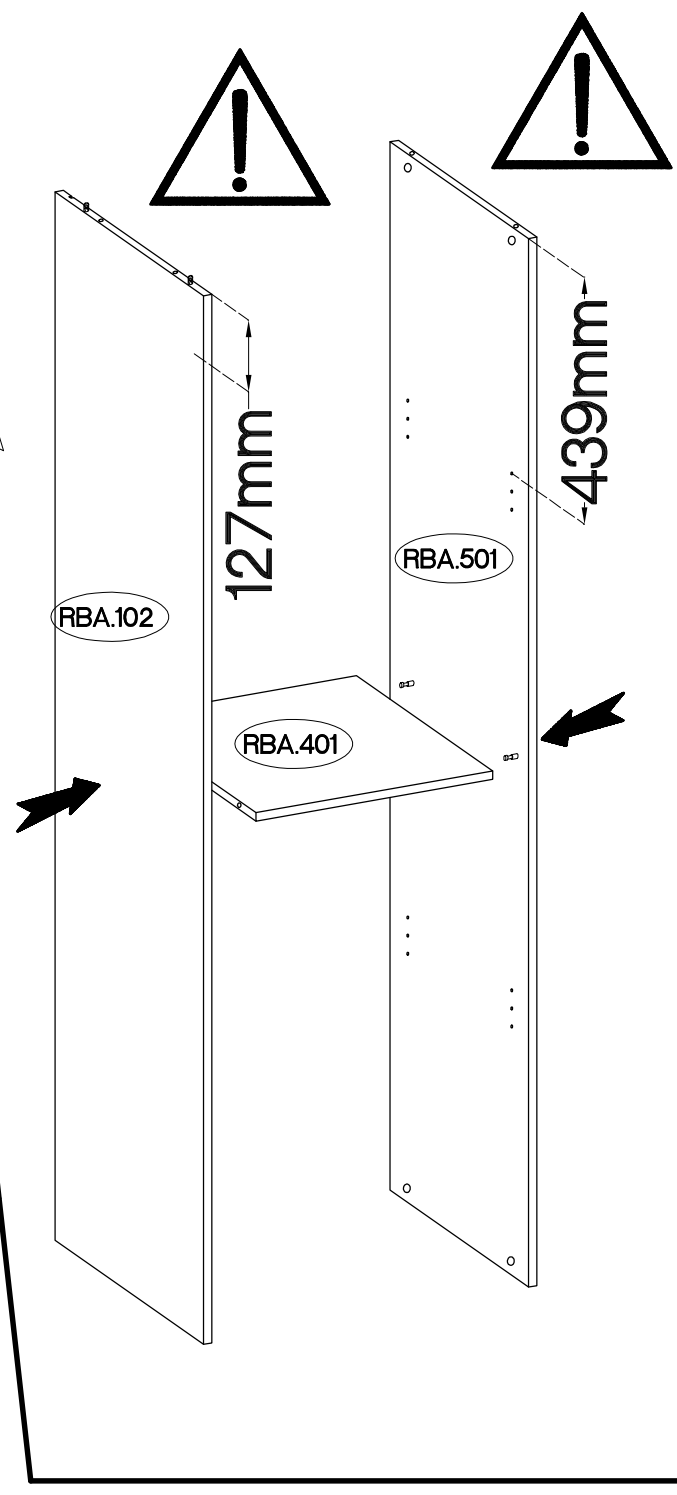
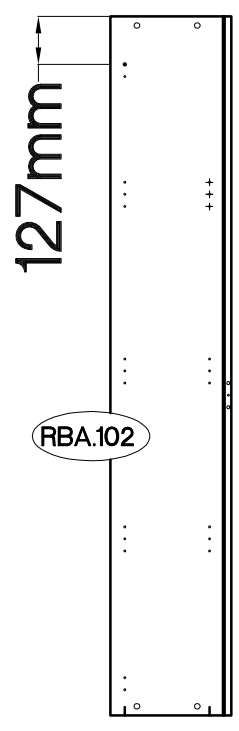
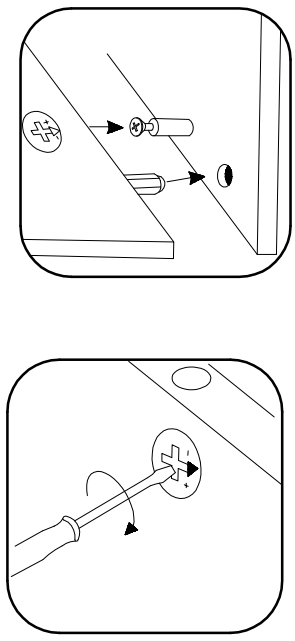


L=20mm	+15/12mm	+8x30mm				+4.0x16mm		+4.0x25mm
D2	C	A	T9	T4	T3	P1	F10	P14
18	18	12	7	1	1	10	5	5

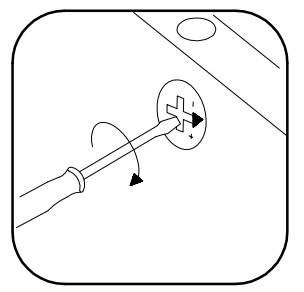
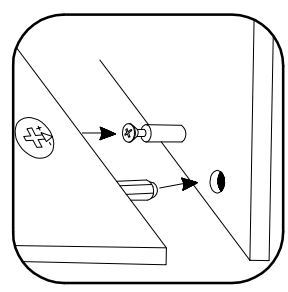
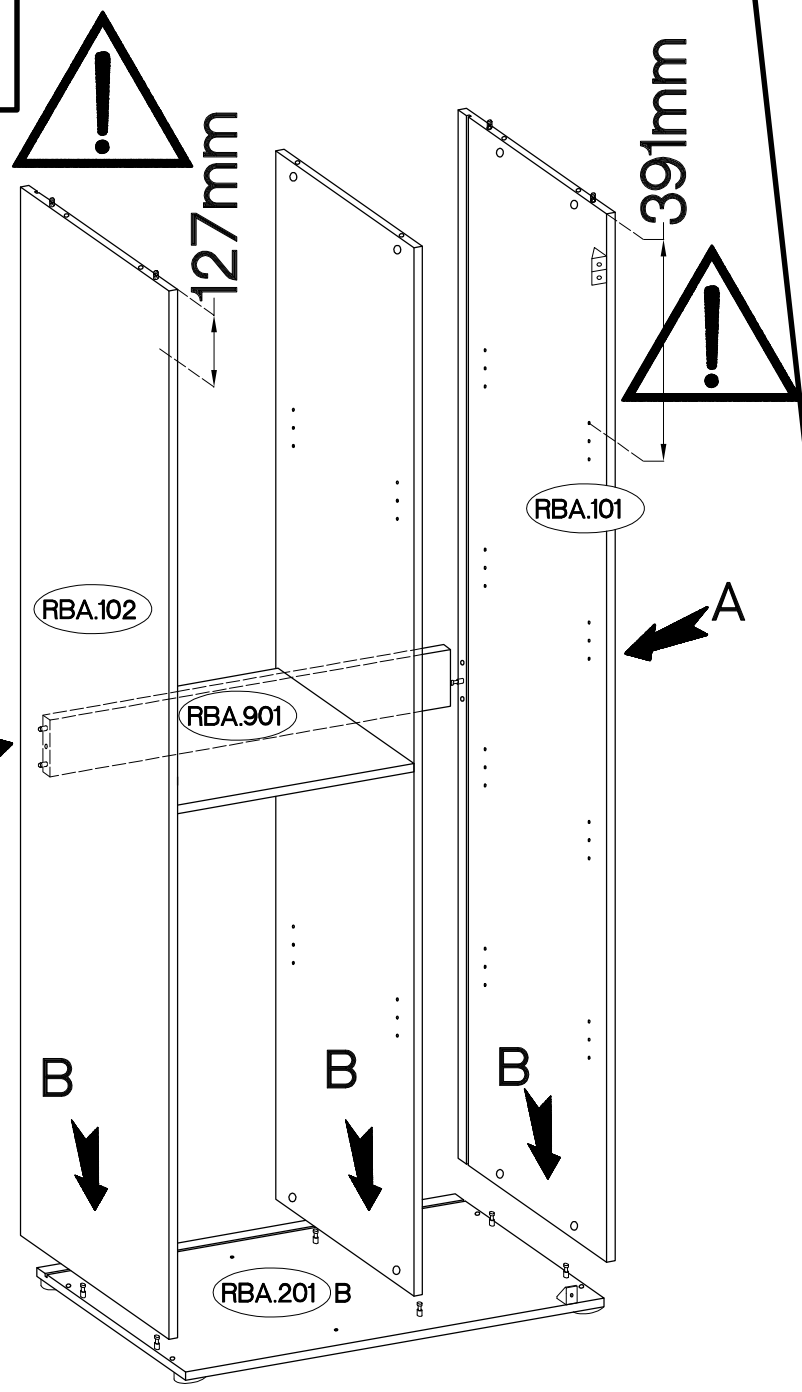




14



15



A

B

B

B

RBA.201 B

RBA.102

RBA.901

RBA.101

A

127mm

391mm

RBA.102

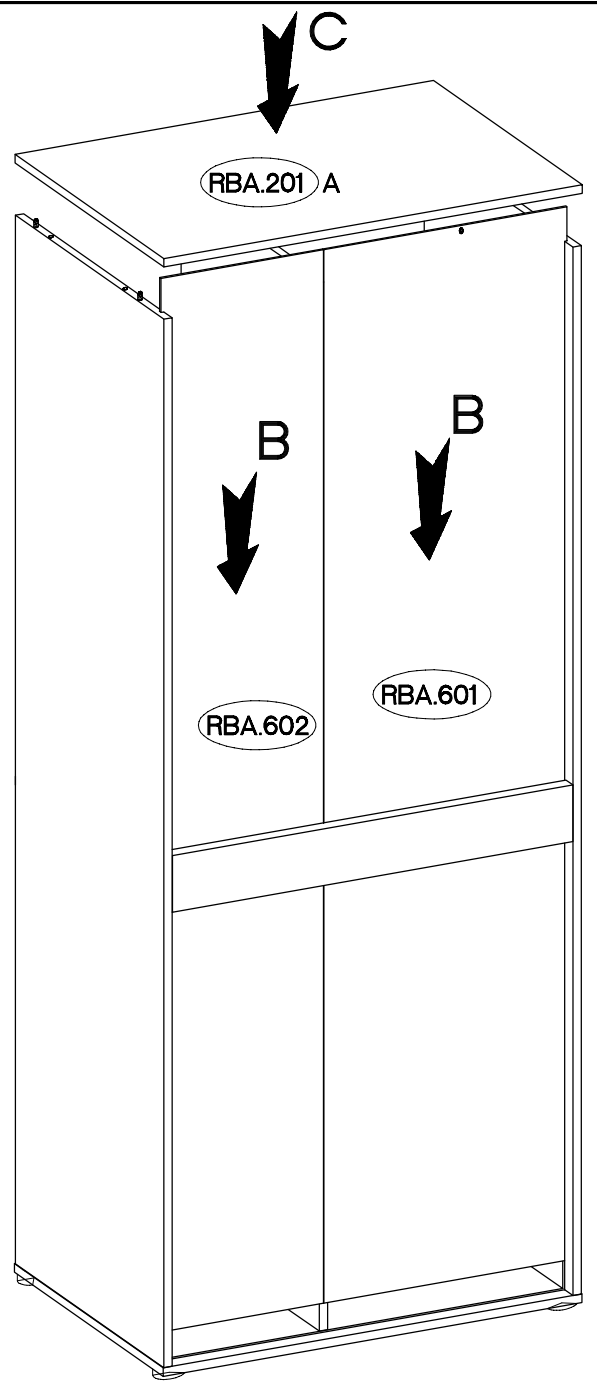
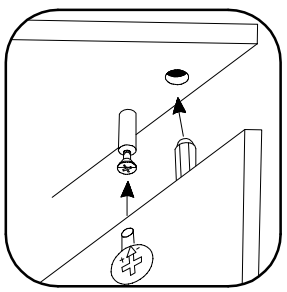
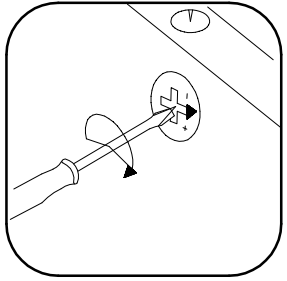
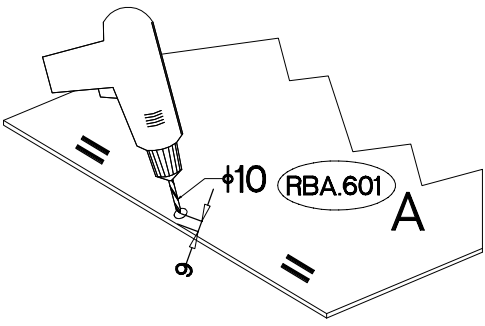
RBA.401

RBA.501

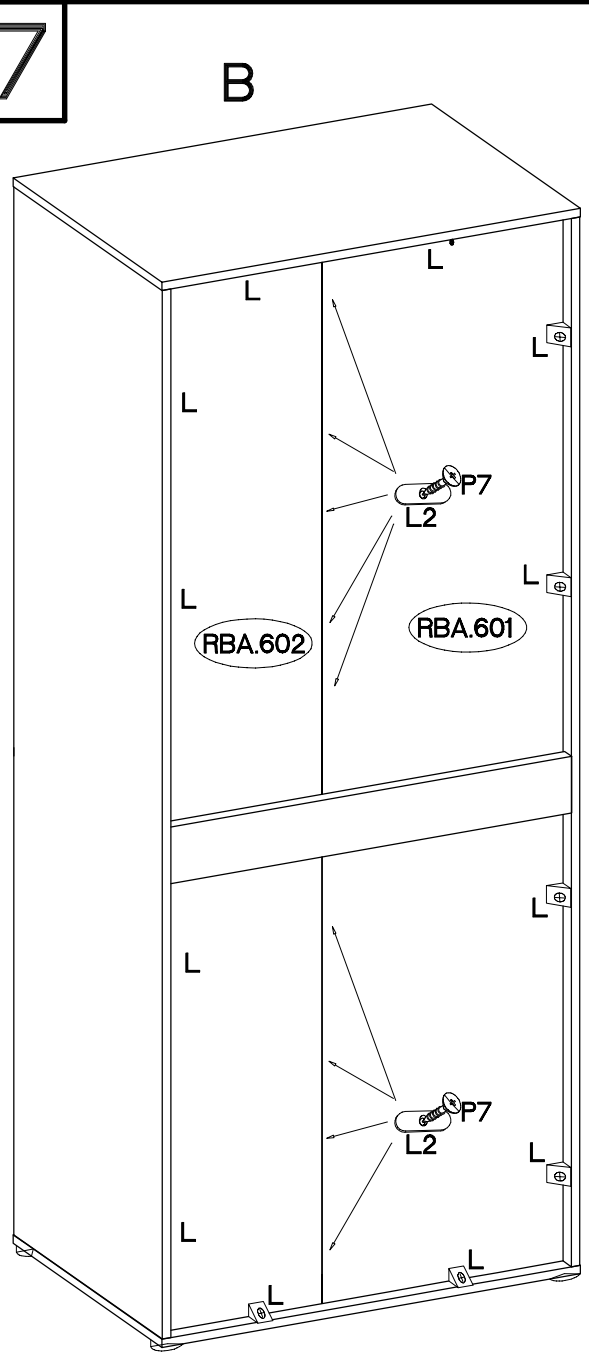
127mm

439mm

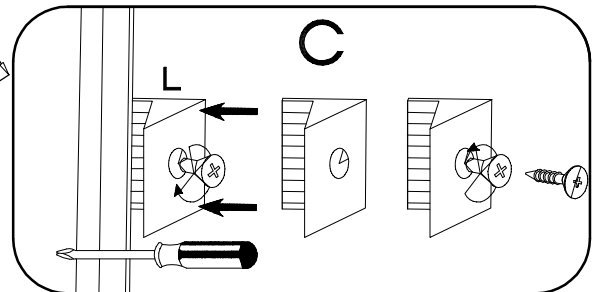
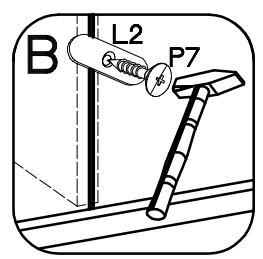
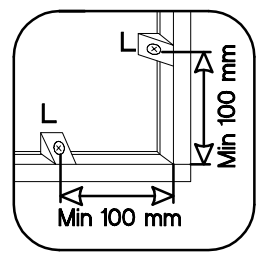
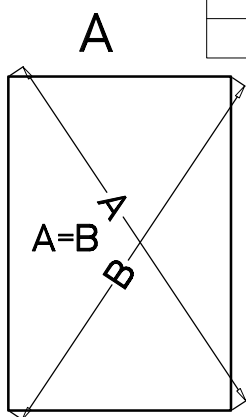
16




17

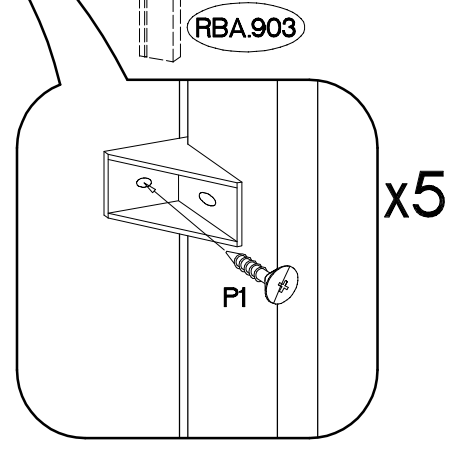
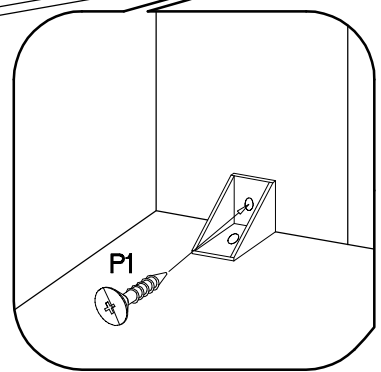
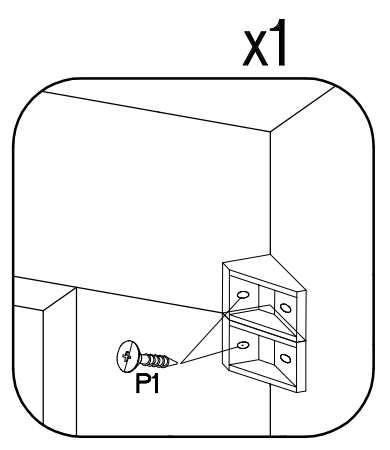
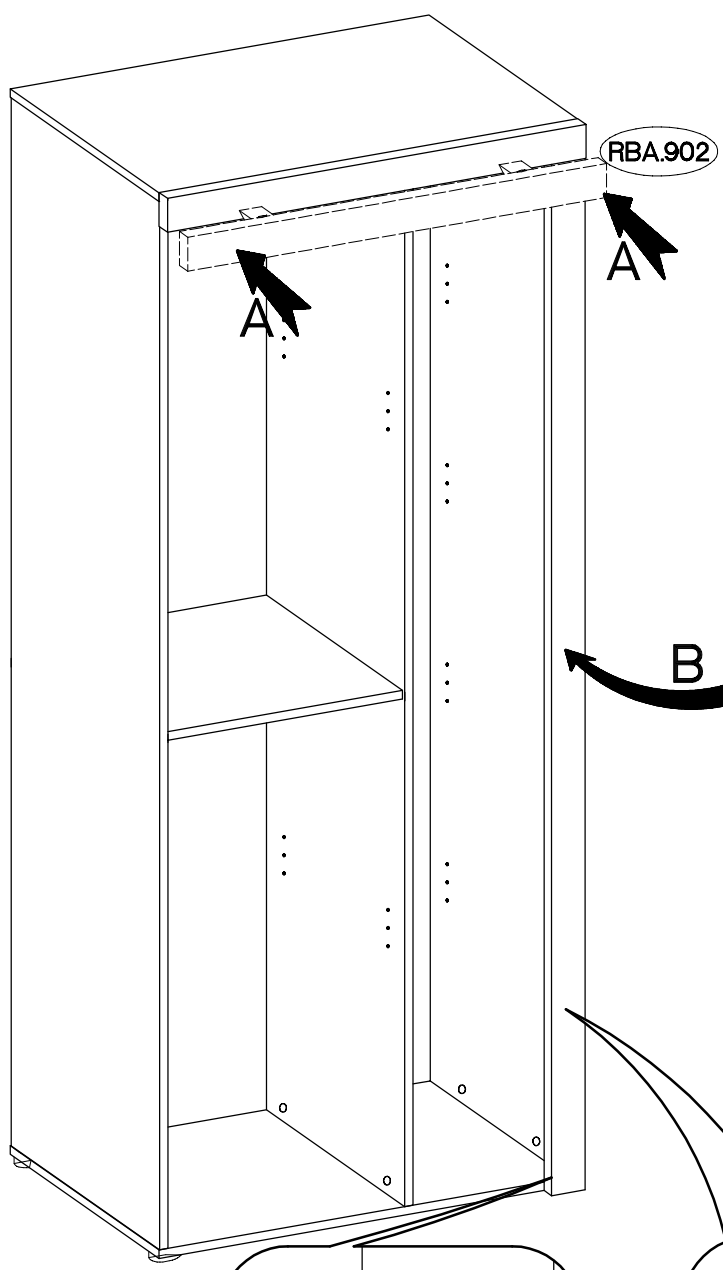


+3.0x20mm		
P7	L2	L
9	9	12

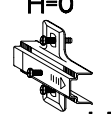
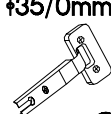



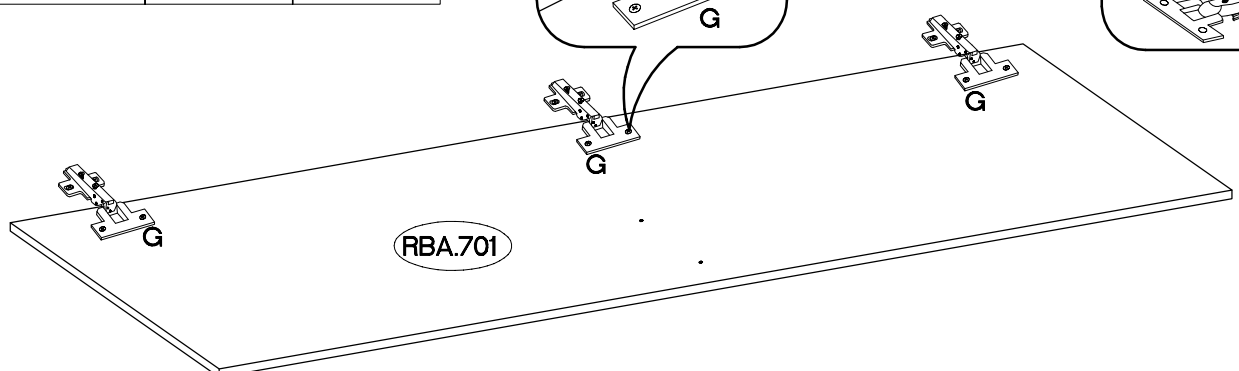
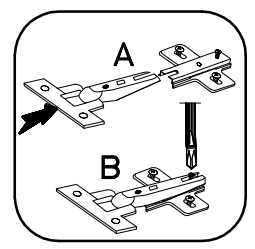
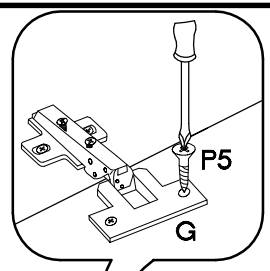
18

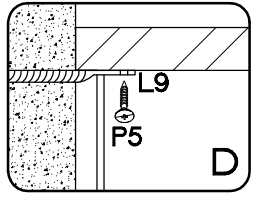
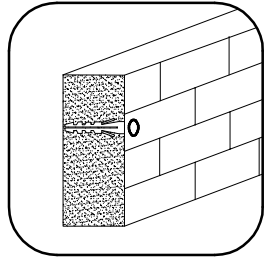
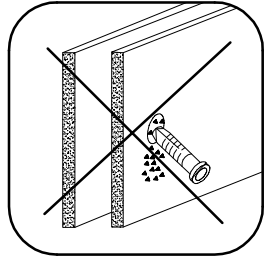
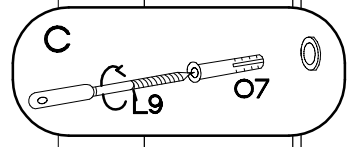
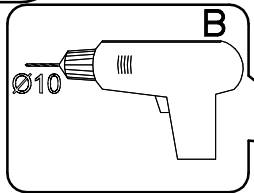
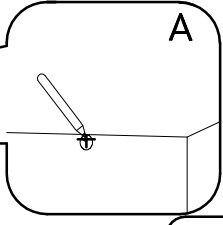
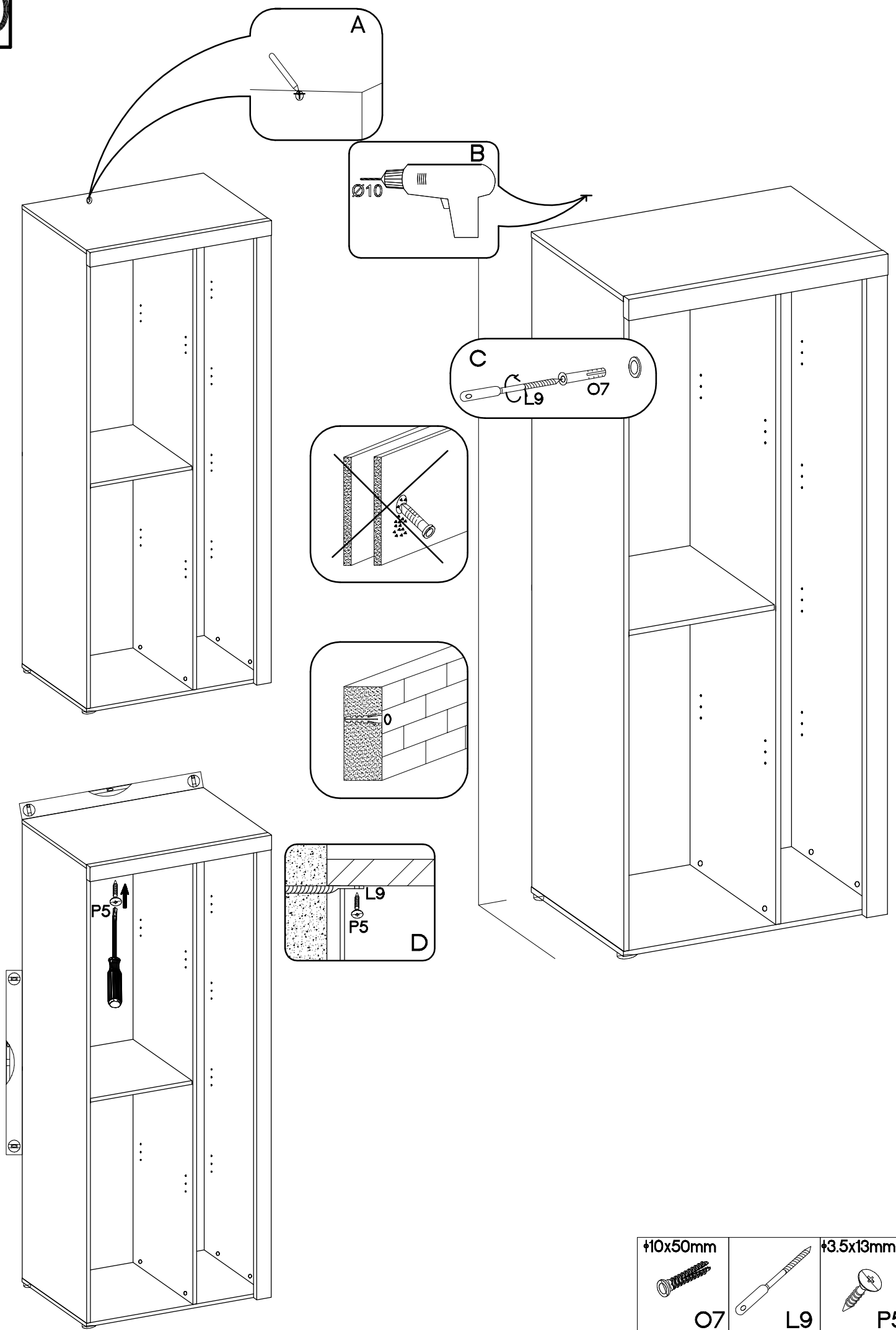
4.0x16mm

P1
10



19

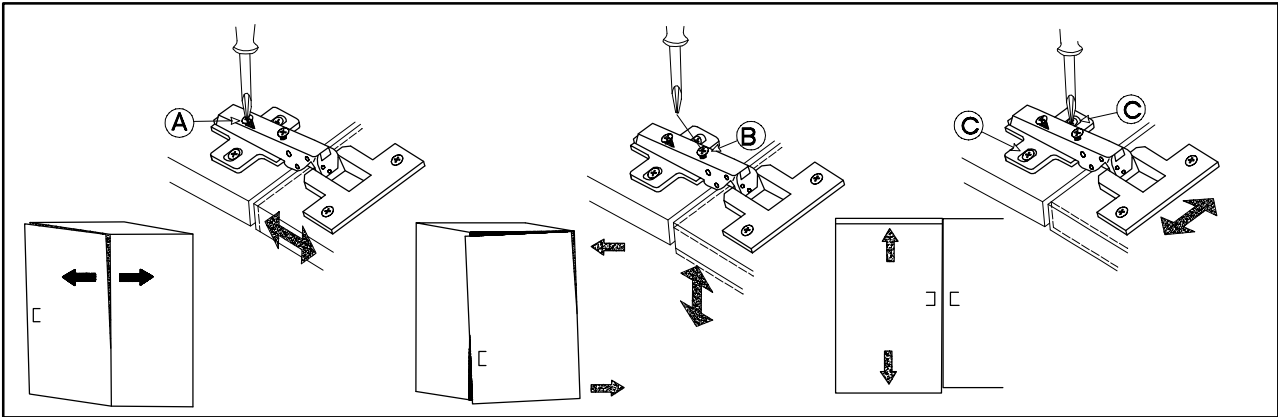
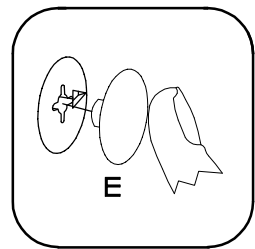
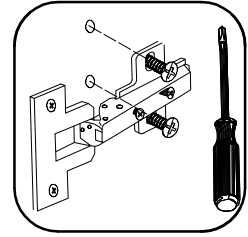
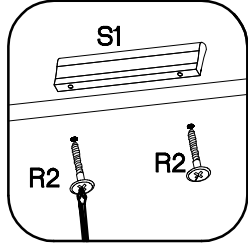
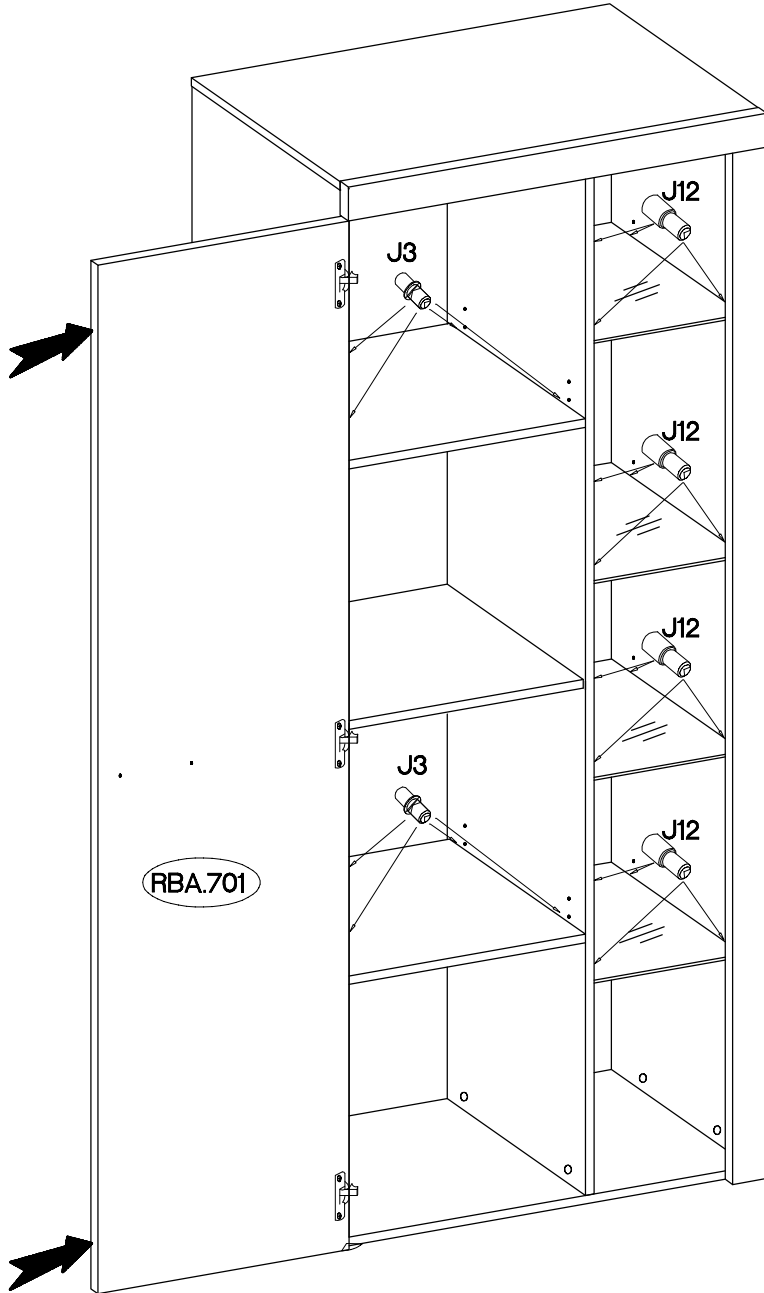
H=0	35/0mm	3.5x13mm
		
H	G	P5
3	3	6







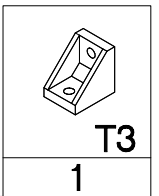
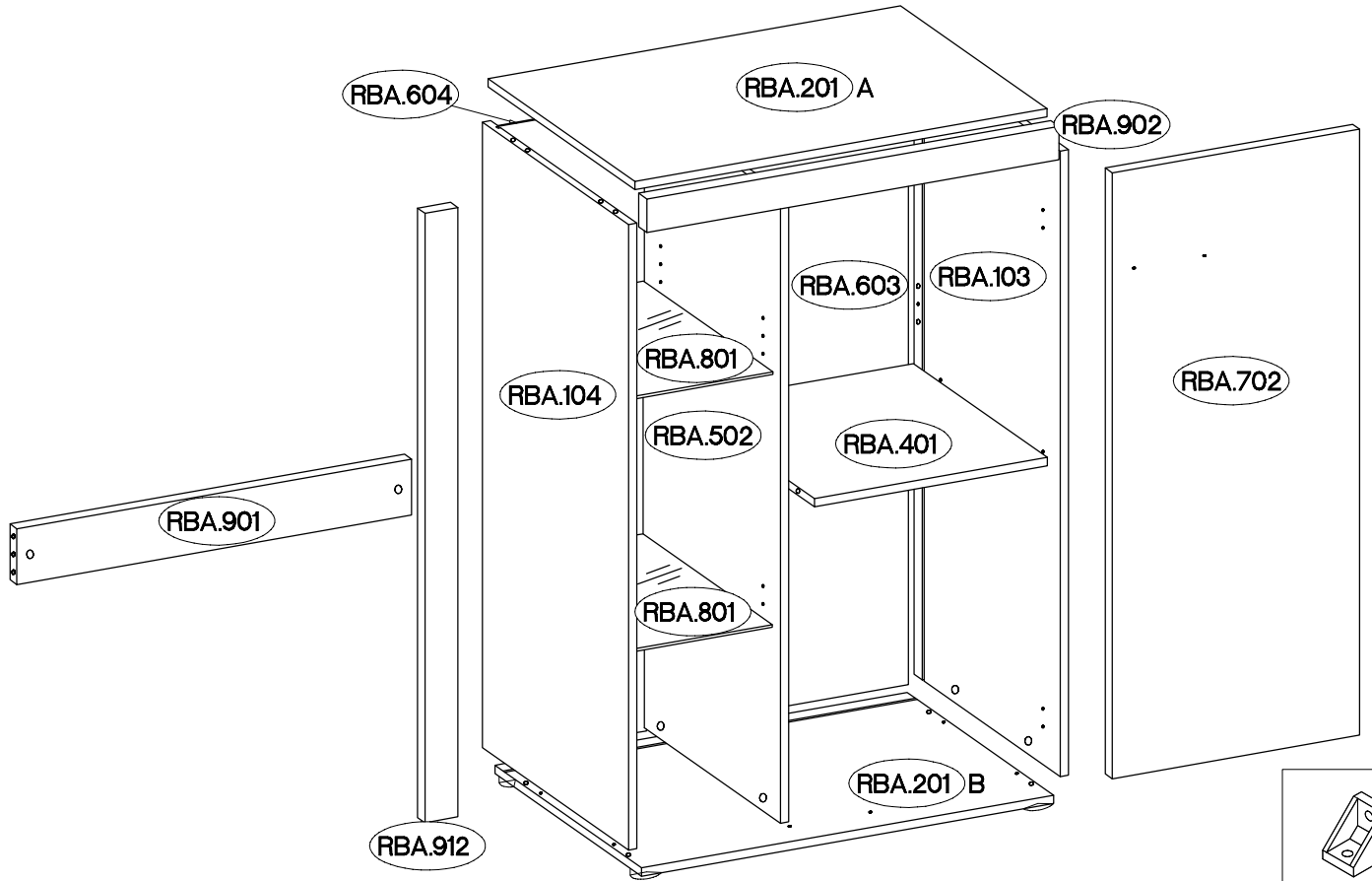
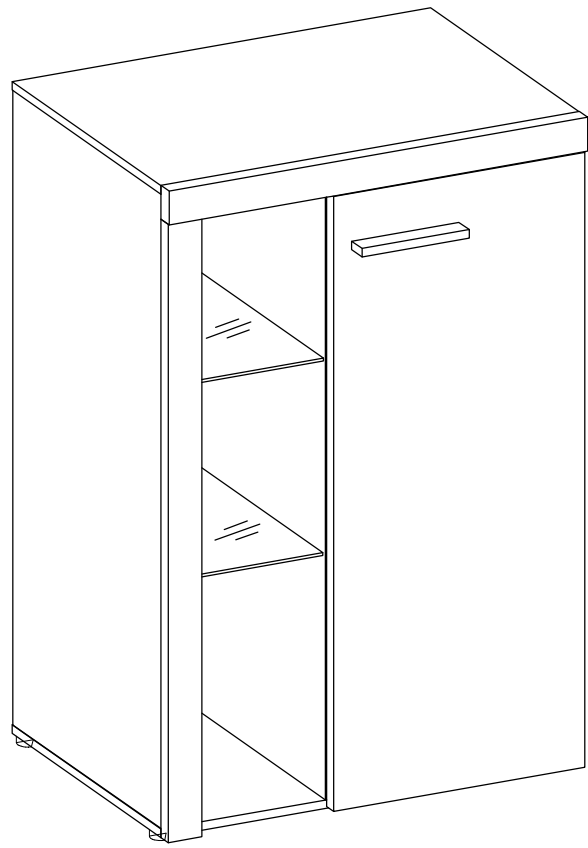
+10x50mm		+3.5x13mm
O7	L9	P5
1	1	1

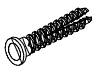

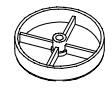

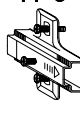
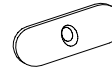

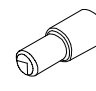
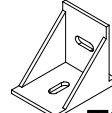
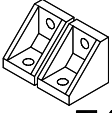




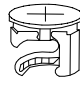
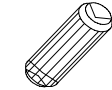
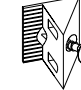
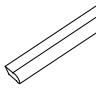
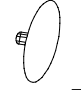
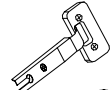
$\pm 5/16$ mm			$\pm 4.0 \times 30$ mm	L=128mm
J3	E	J12	R2	S1
8	16	16	2	1



RBA.801 =  max. 2kg

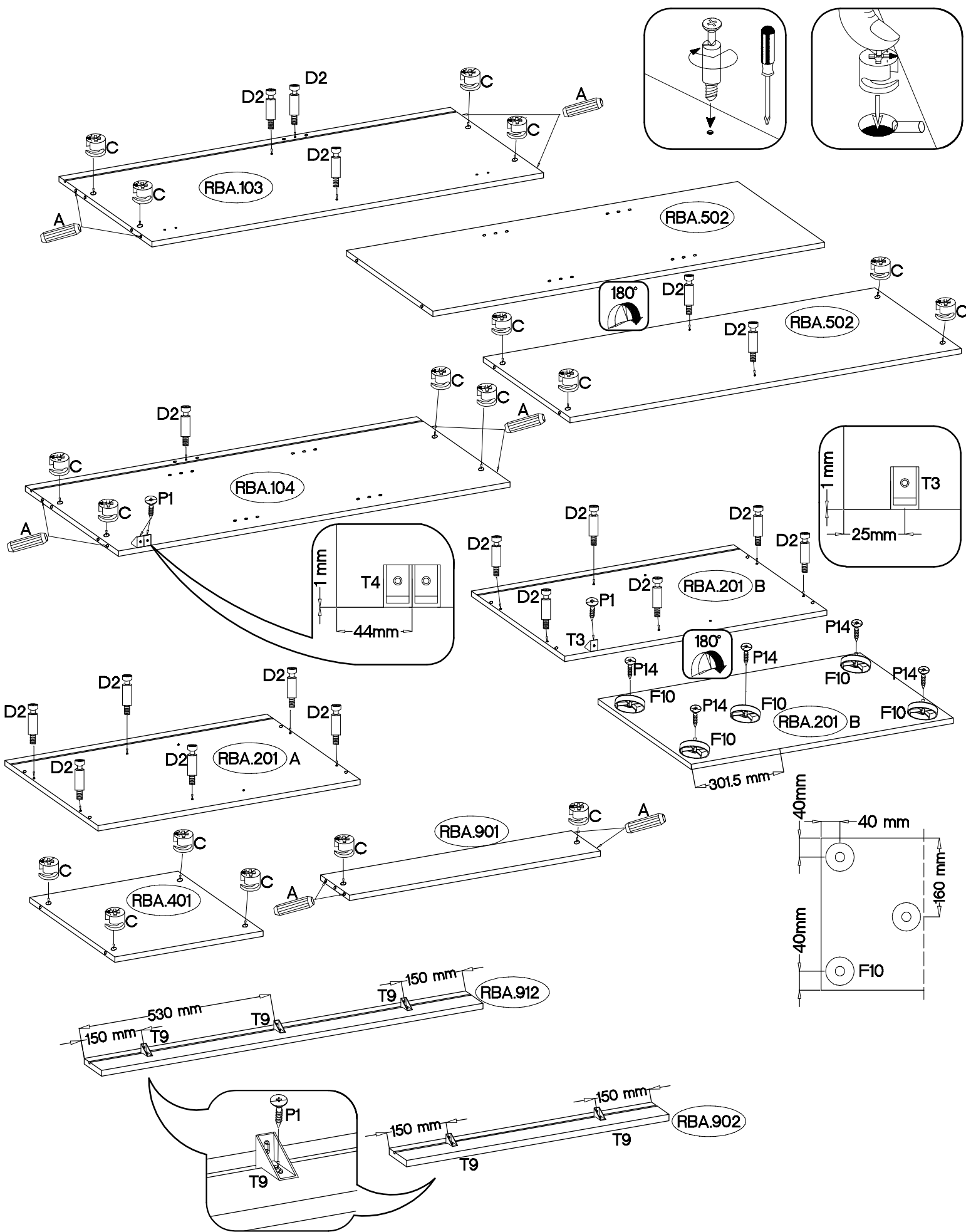
RBA.401 =  max. 5kg



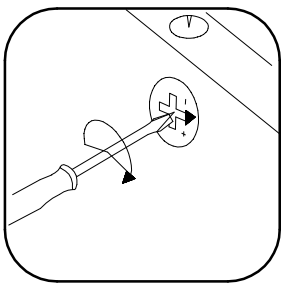
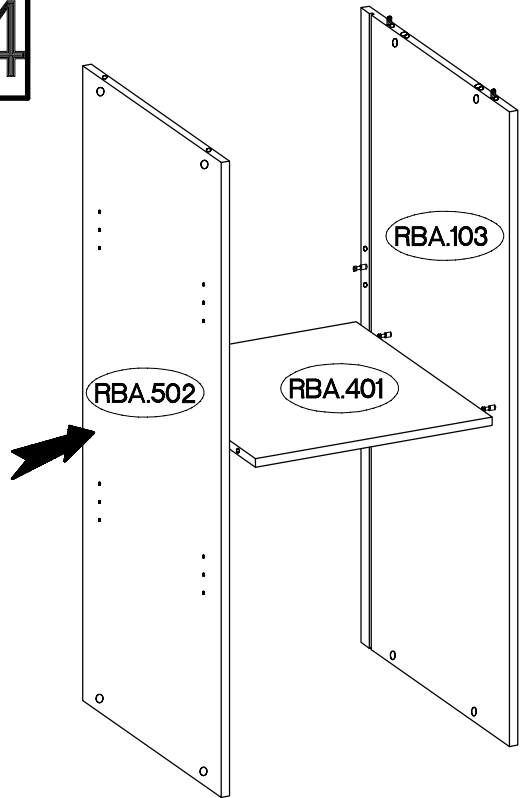
 O7 1	 L9 1	 F10 5	 P14 5	 H=0 H 2	 L2 7	 P5 5	 J12 8	 T9 5	 T4 1
 R2 2	 P1 16	 P7 7	 D2 18	 C 18	 A 12	 L 10	 S1 1	 E 16	 G 2



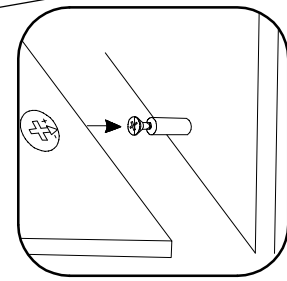
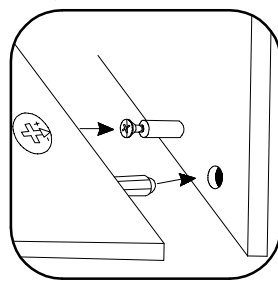
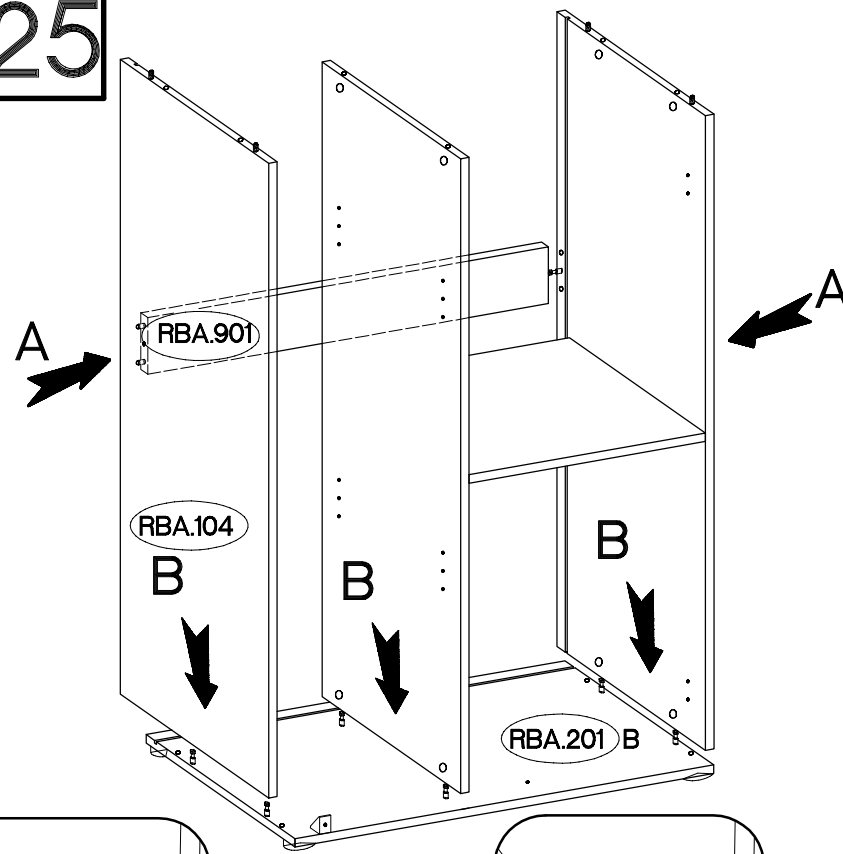
L=20mm	±15/12mm	±8x30mm				±4.0x16mm		±4.0x25mm
<b>D2</b>	<b>C</b>	<b>A</b>	<b>T9</b>	<b>T4</b>	<b>T3</b>	<b>P1</b>	<b>F10</b>	<b>P14</b>
18	18	12	5	1	1	8	5	5



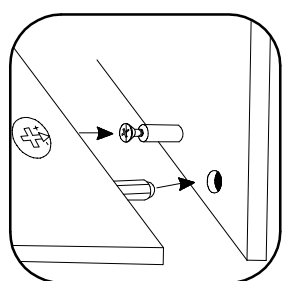
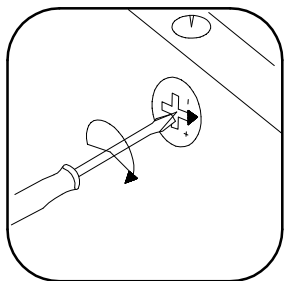
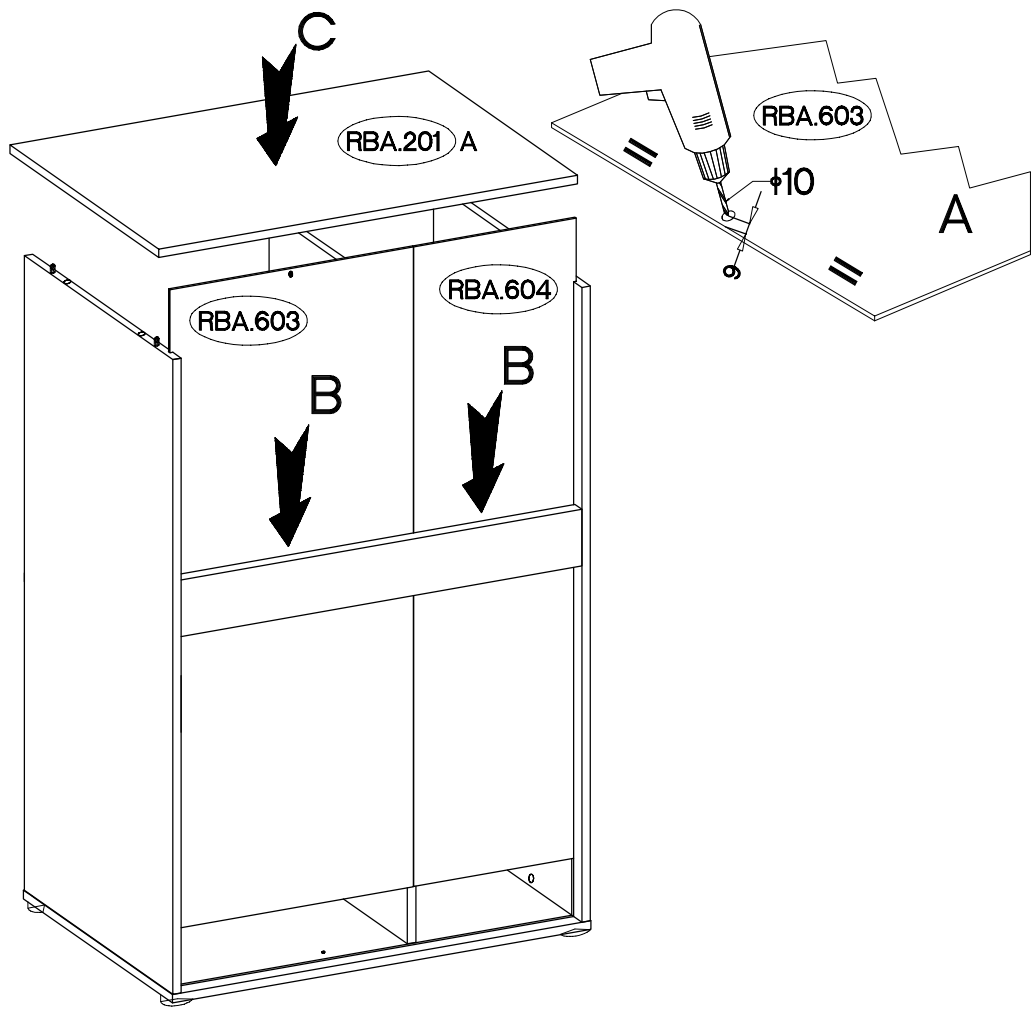
24



25



26



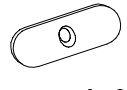
27

±3.0x20mm



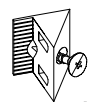
P7

11



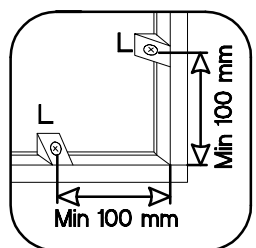
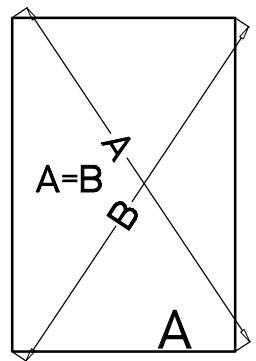
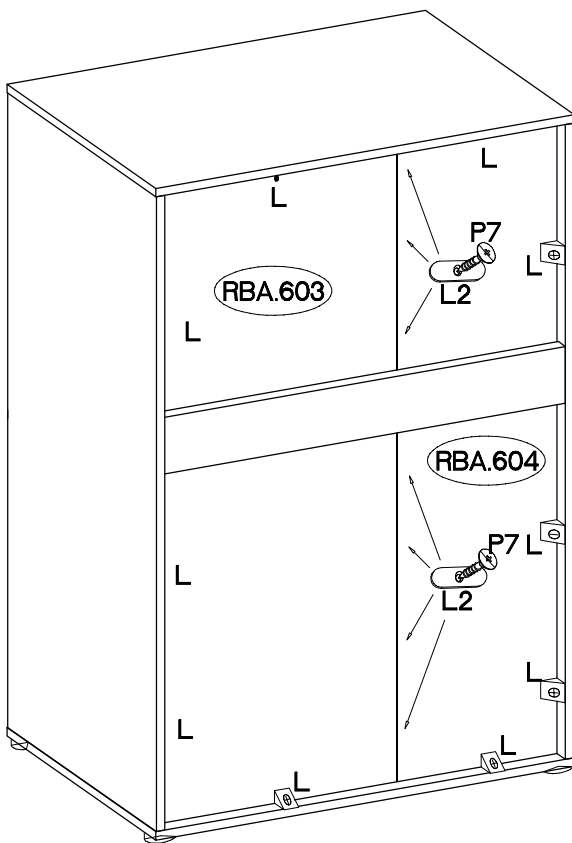
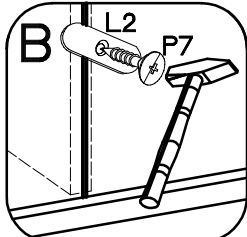
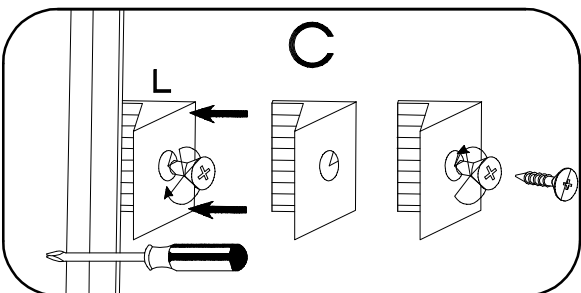
L2

7



L

10



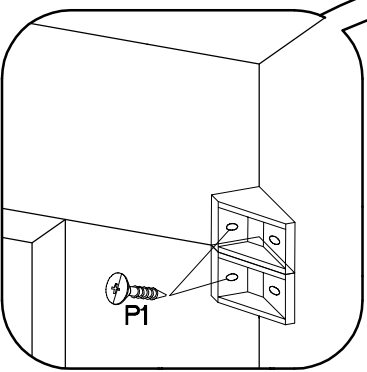
28

±4.0x16mm

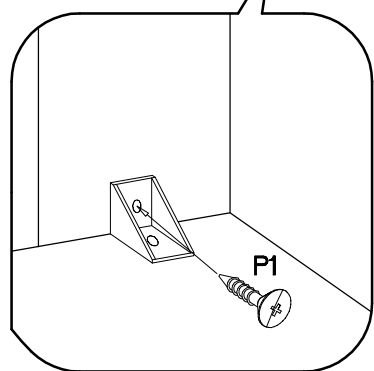
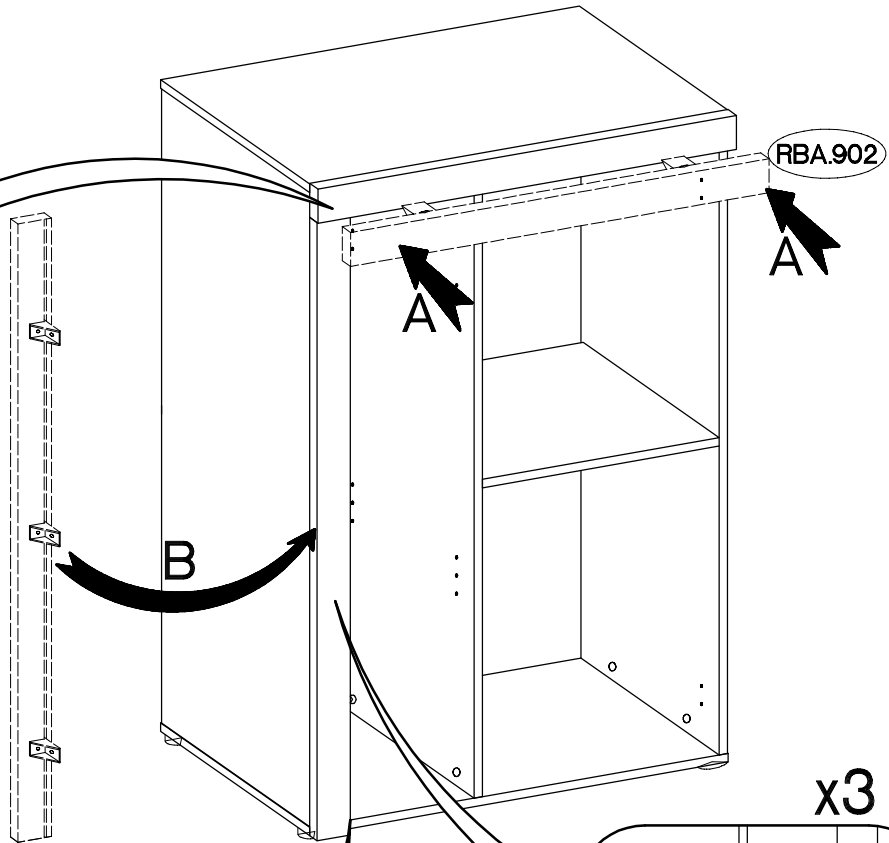


P1

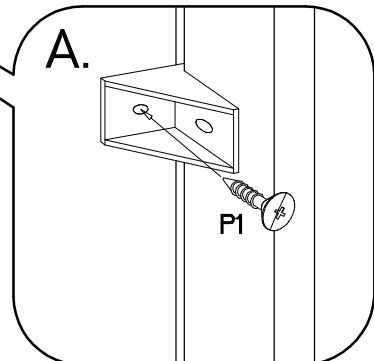
8



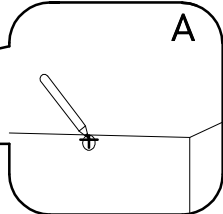
x1

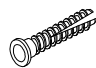
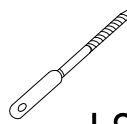



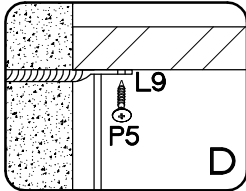
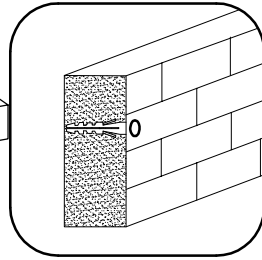
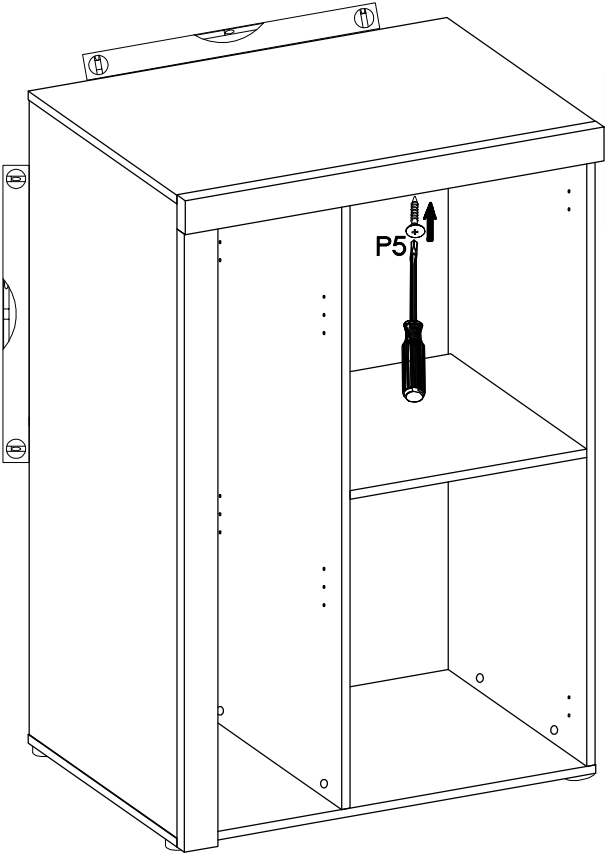
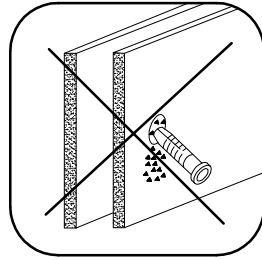
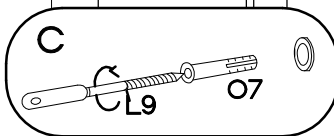
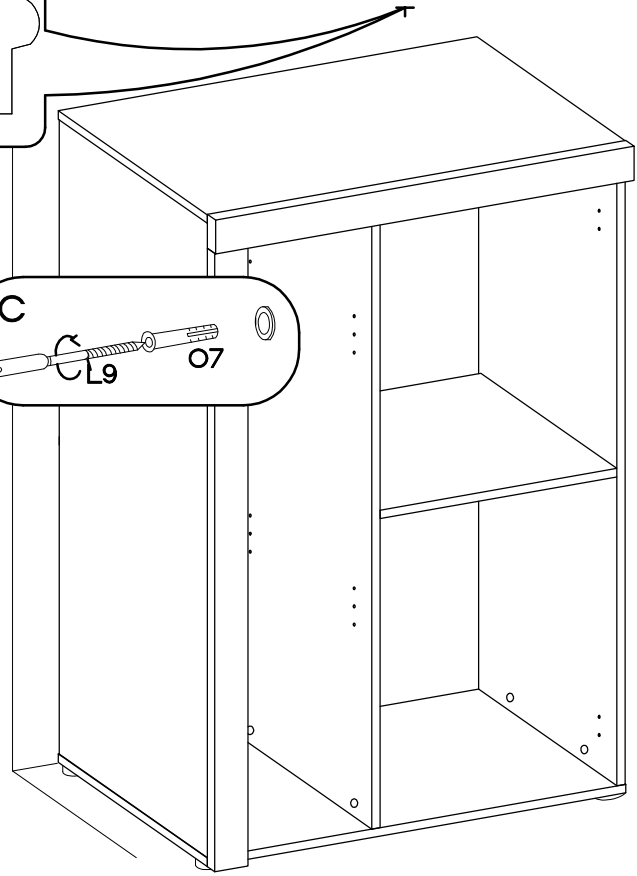
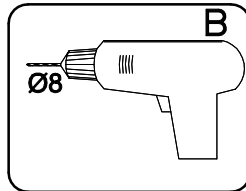
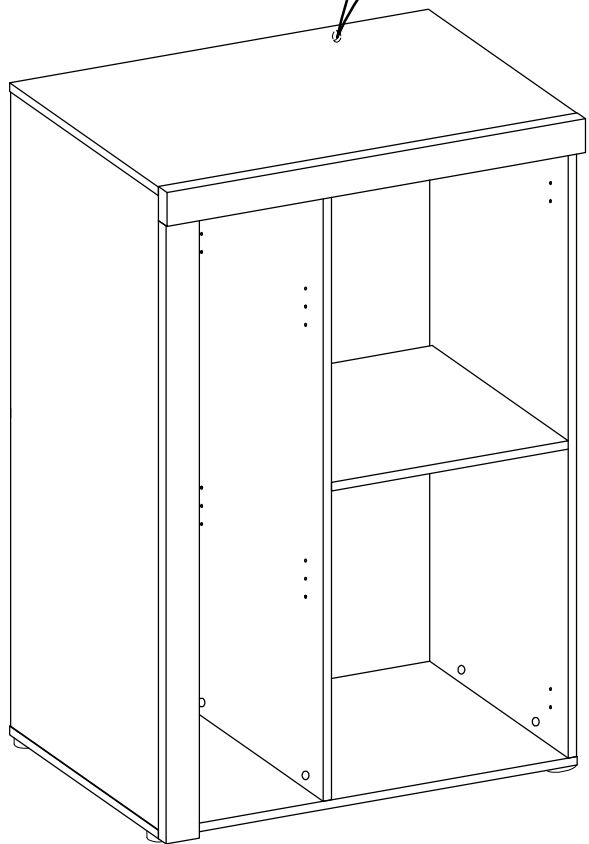
x1



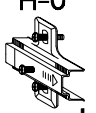


x3

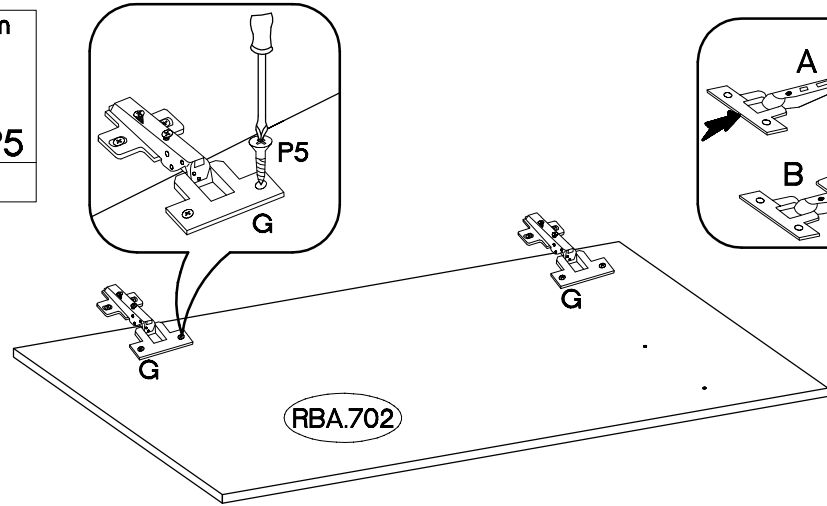


$\pm 10 \times 50 \text{mm}$  O7 1	 L9 1	$\pm 3.5 \times 13 \text{mm}$  P5 1
---	---	--

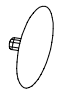


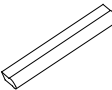


30

H=0  H	±35/0mm  G	±3.5x13mm  P5
2	2	4



31

 E	 J12	±4.0x30mm  R2	L=128mm  S1
16	8	2	1

