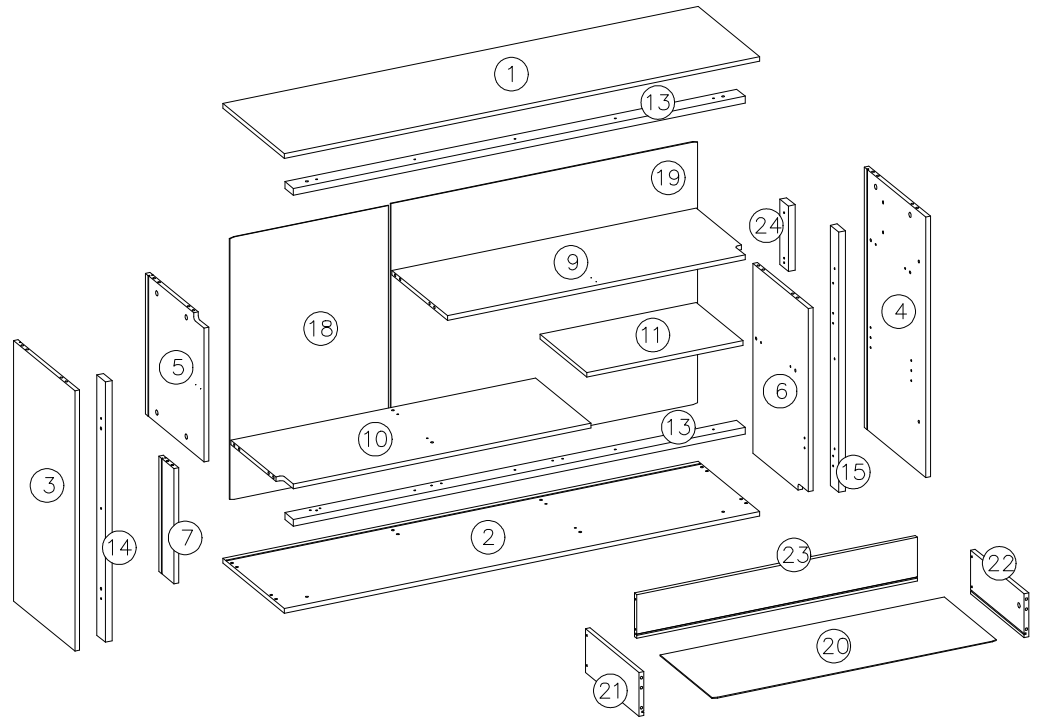

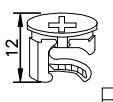
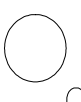
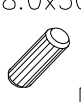
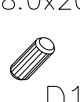



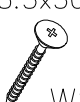


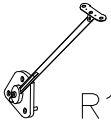
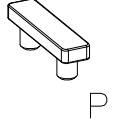
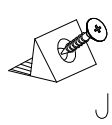

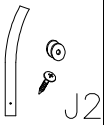
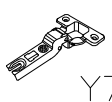
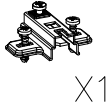




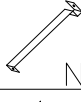
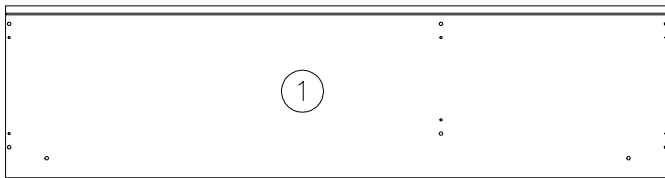


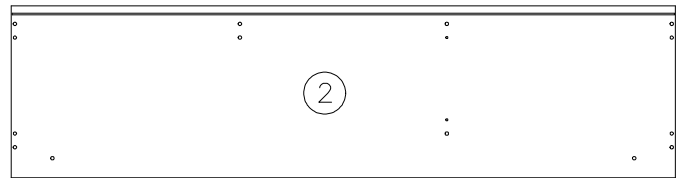

6
7
 MAX
 5kg



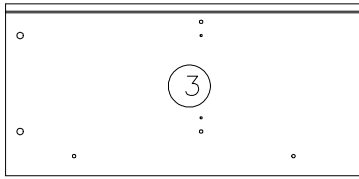
 A	 B	 C1	 D	 D10	 F	 W8	 W3	 W2	 G3
22	22	36	31	10	4	10	14	18	4
5.0x50	6.4x50	3mm	4mm	 E	 R1	 P1	 J	 R2	 J2
4	4	1	1	4	2	7	24	4	1
 Y7	 X1	 W9	 R		 L		 Q5		 N1
7	7	14	1 KPL		1				



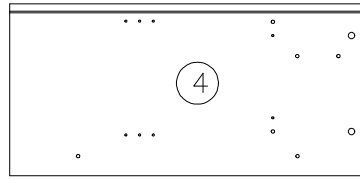
1550x401x15



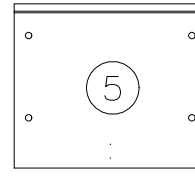
1550x401x15



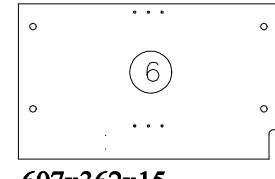
832x401x15



832x401x15



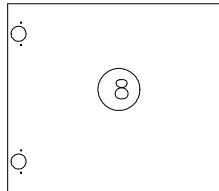
449x383x15



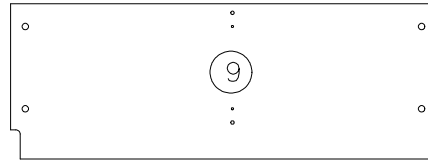
607x362x15



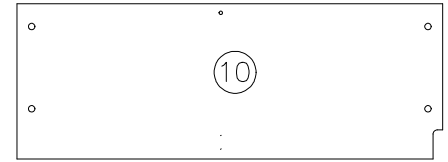
368x100x15



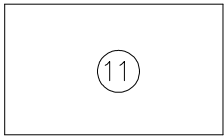
500x438x15



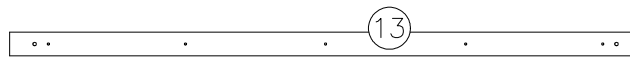
993x362x15



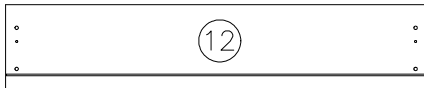
993x362x15



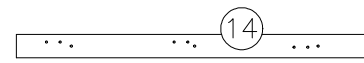
509x305x15



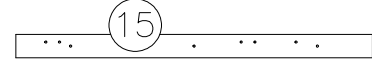
1474x55x22 x2



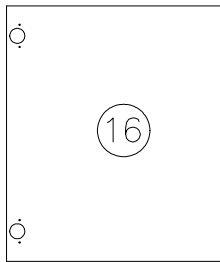
983x200x15



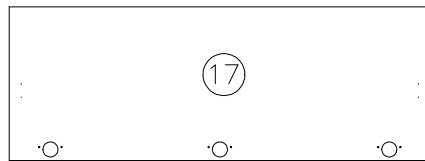
832x55x22



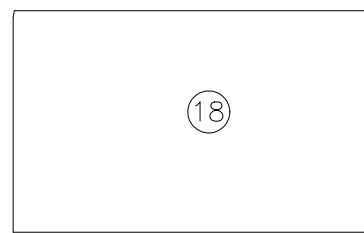
832x55x22



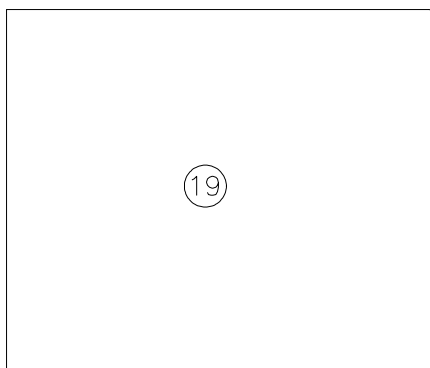
500x596x15



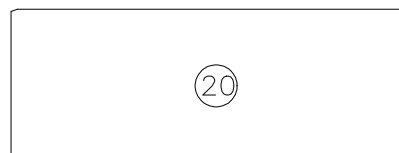
983x358x15



517x839x3



1000x839x3



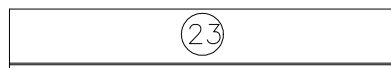
927x344x3



350x140x15



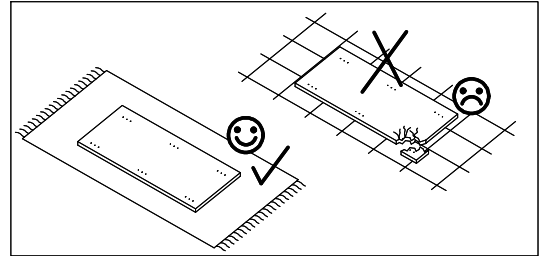
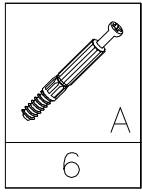
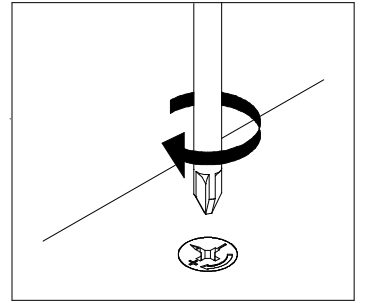
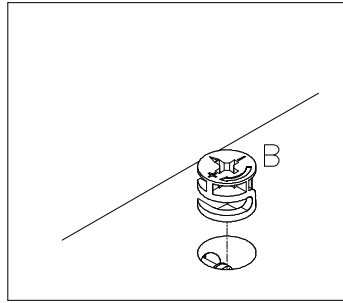
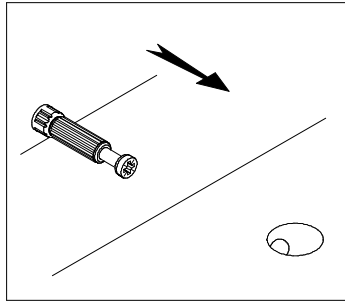
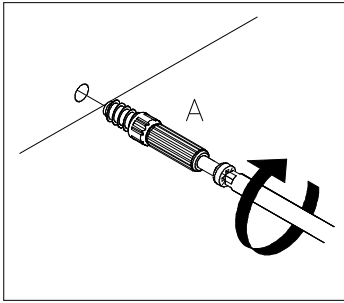
350x140x15



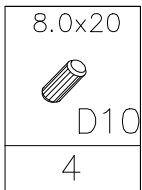
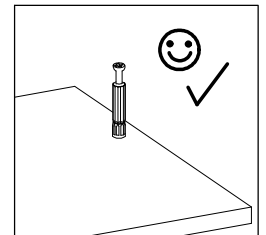
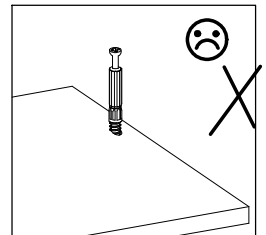
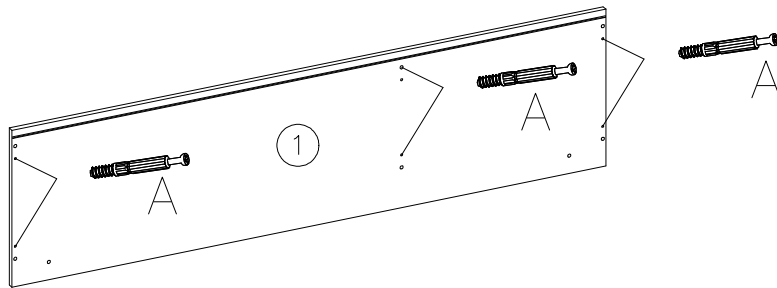
916x140x15



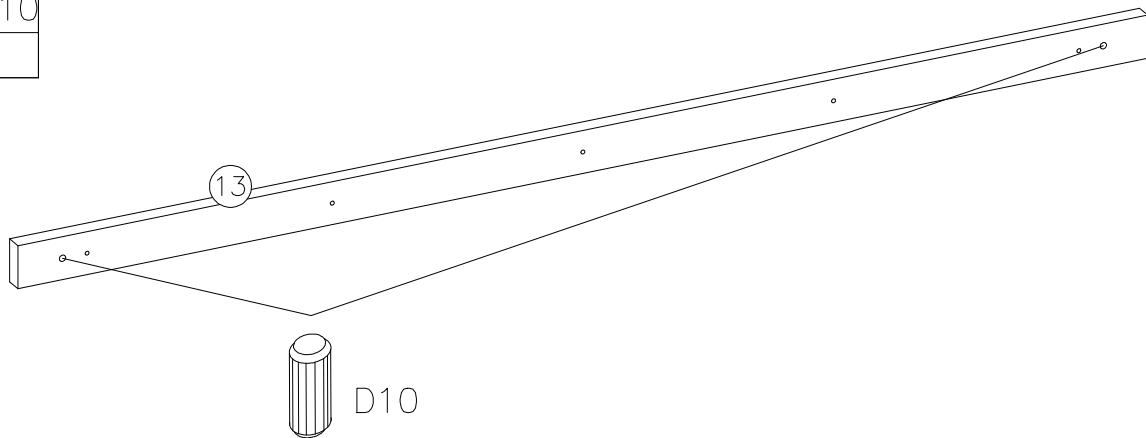
209x55x22



1




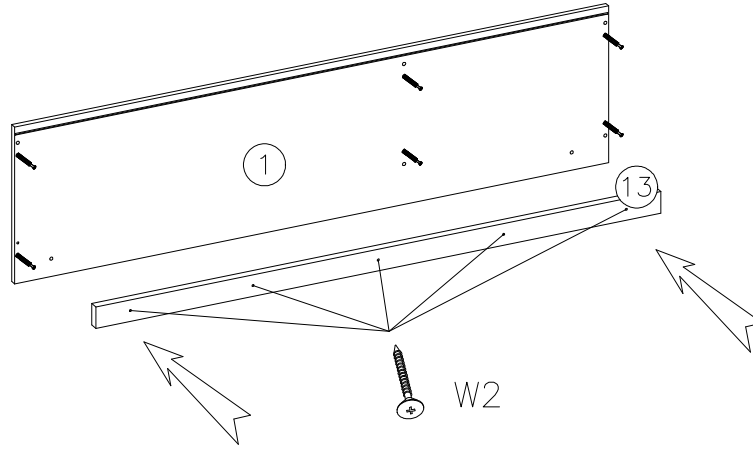
2




x2

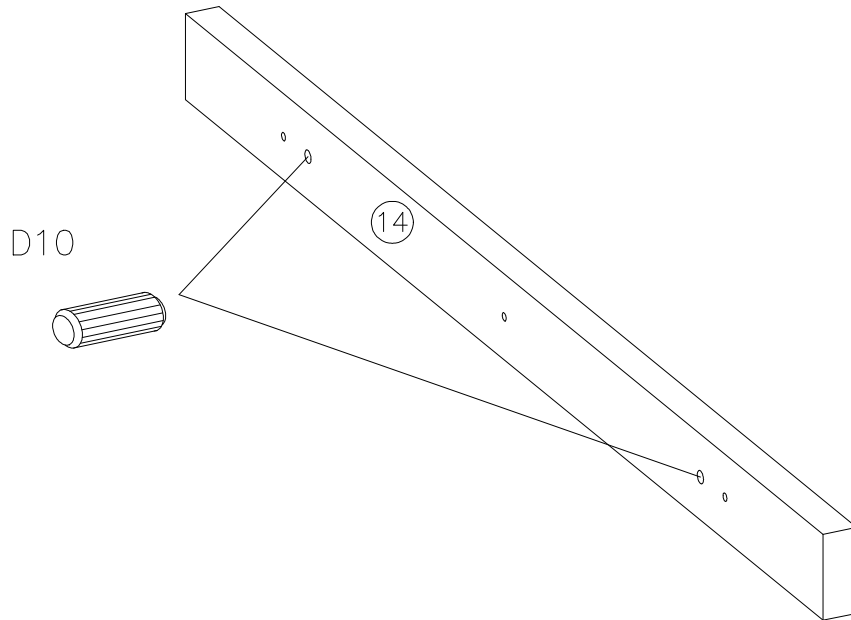
3

3.5x30

W2
5

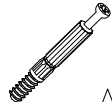
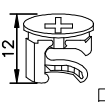



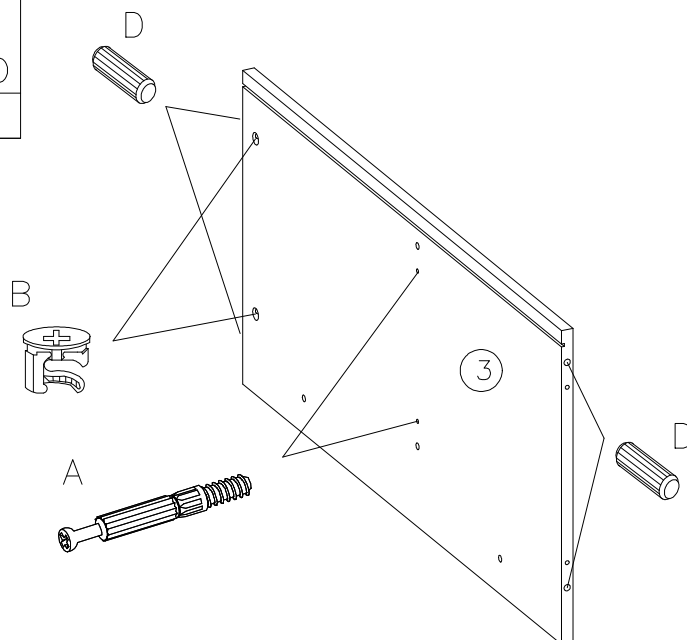
4

8.0x20

D10
2



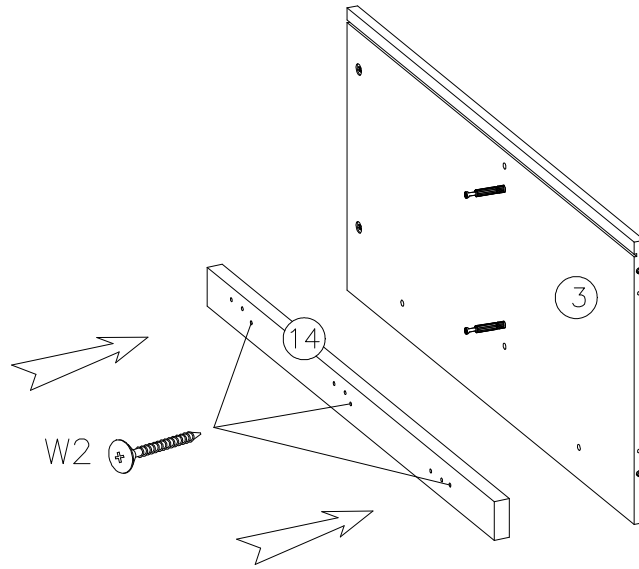
5

		8.0x30
A	B	
2	2	4



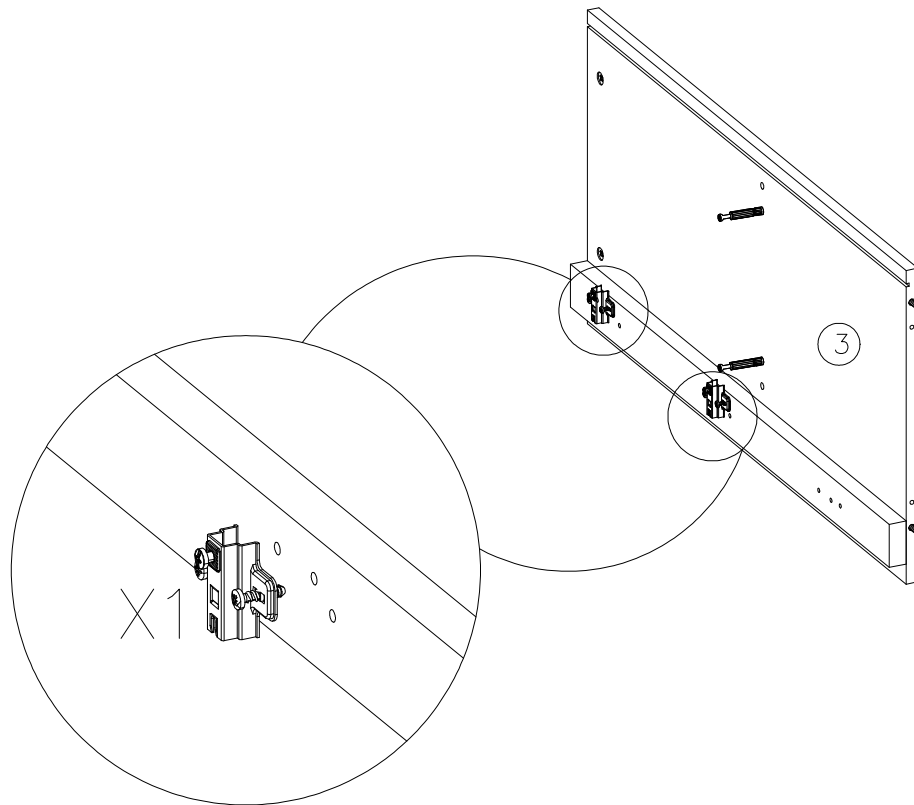
3.5x30
W2
3

6

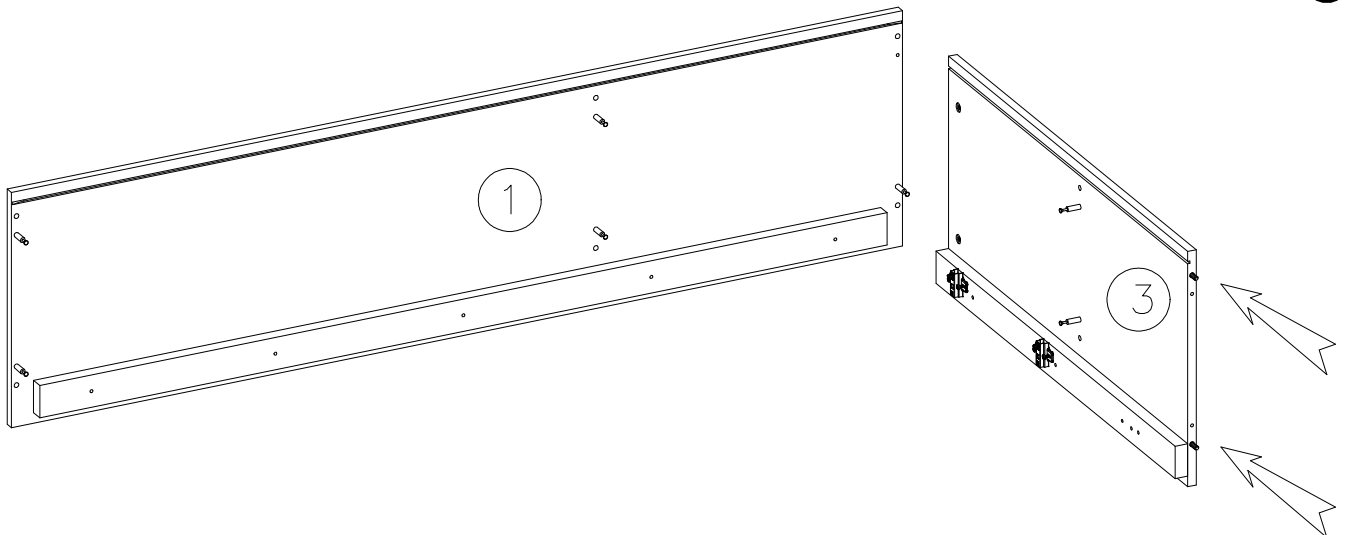


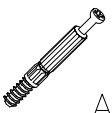


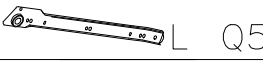
X1
2

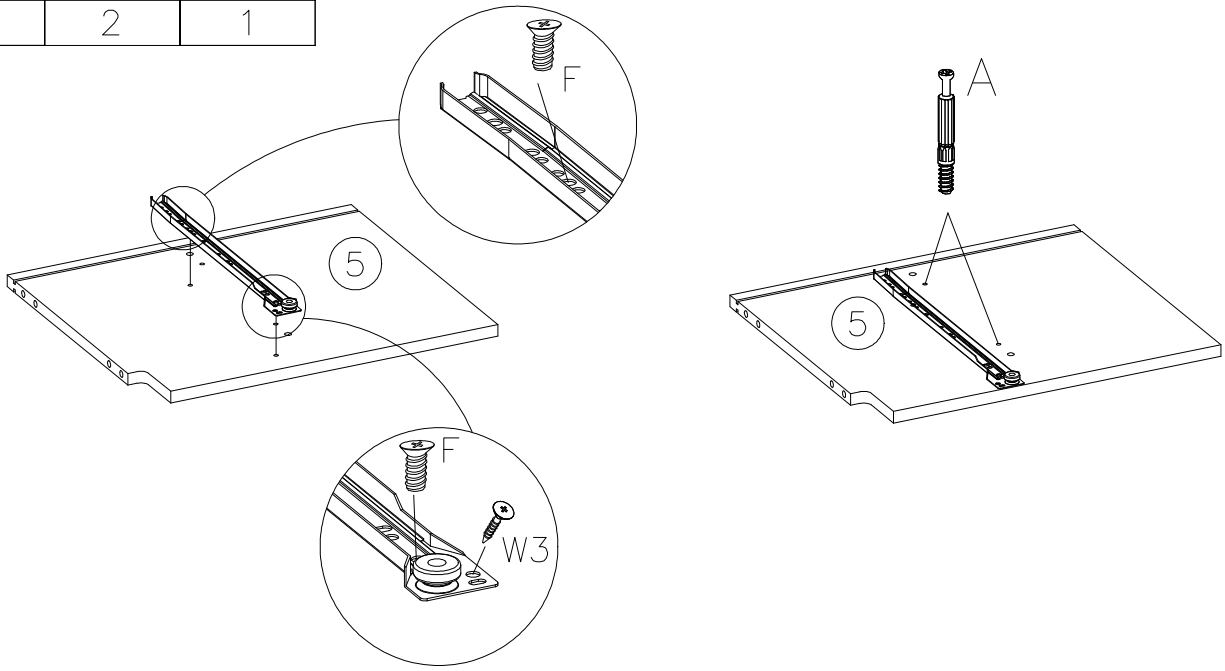
7

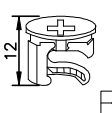
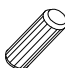

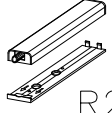


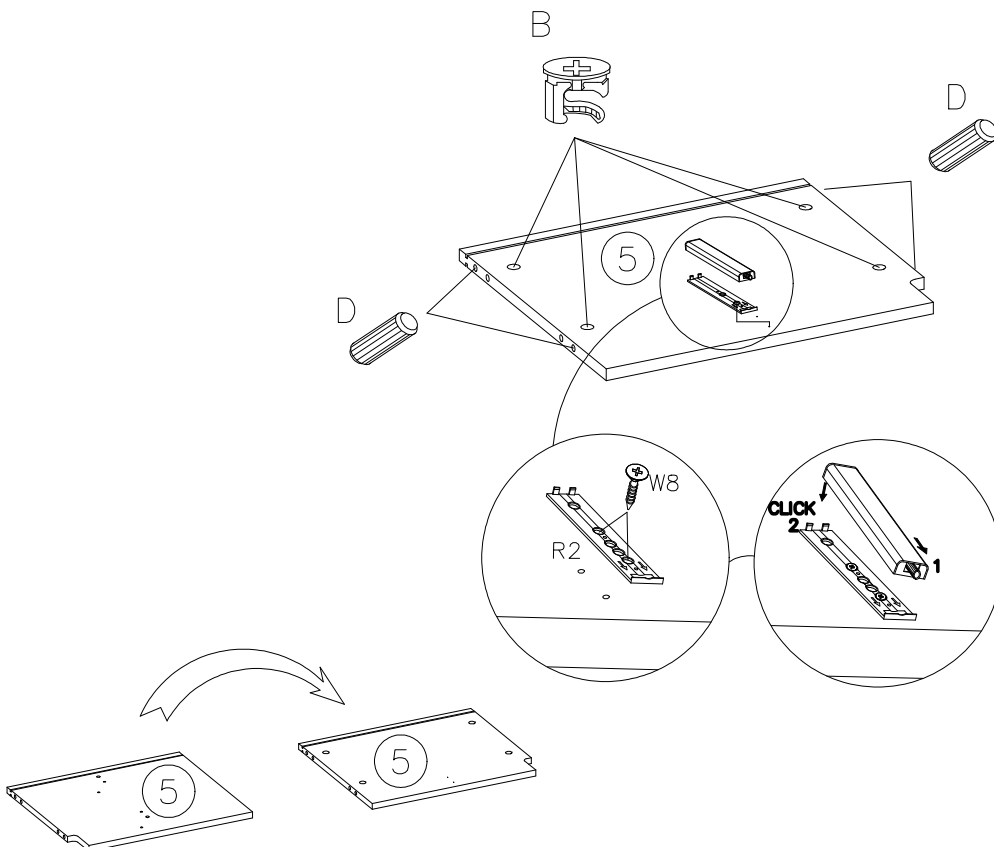
8



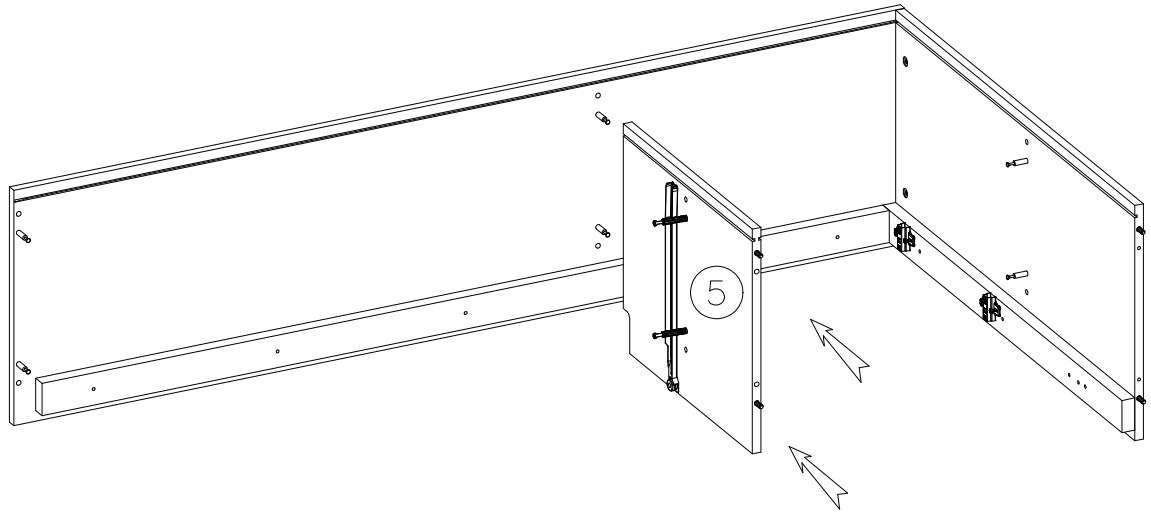
	6.3x13 	3.0x13 	 L Q5
A	F	W3	1 KPL
2	2	1	

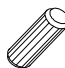

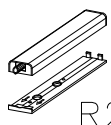


	8.0x30 	3.5x13 	
B	D	W8	R2
4	4	2	1

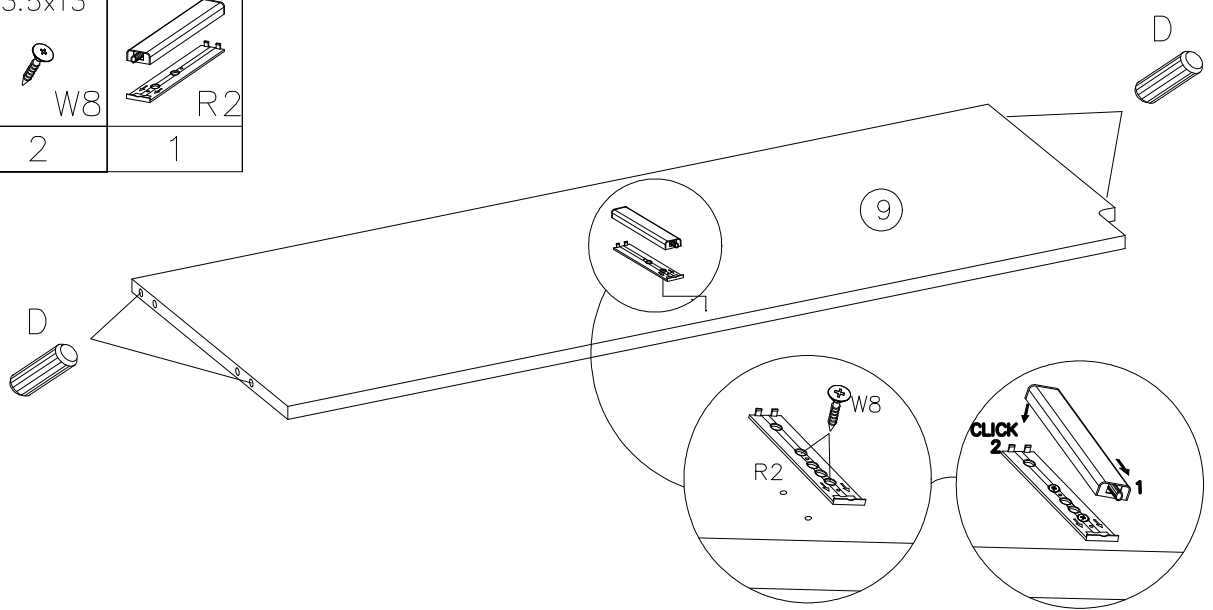



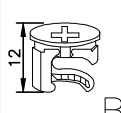
10



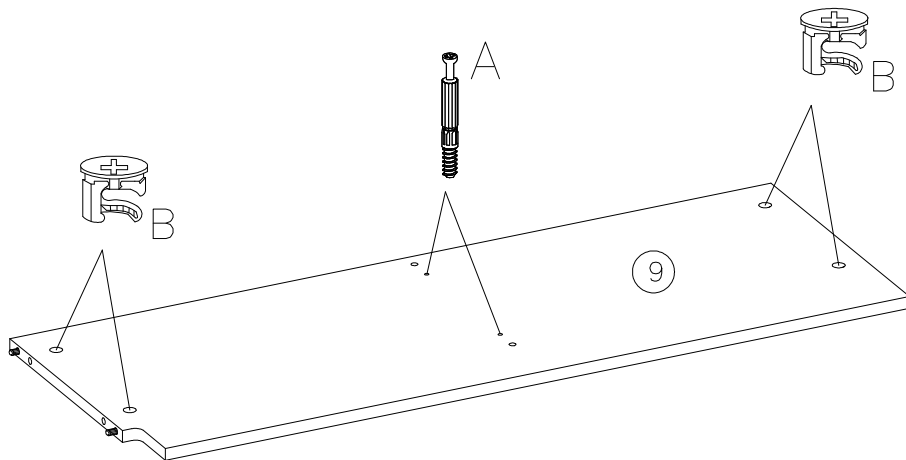
8.0x30  D 4	3.5x13  W8 2	 R2 1
--	--	--

11

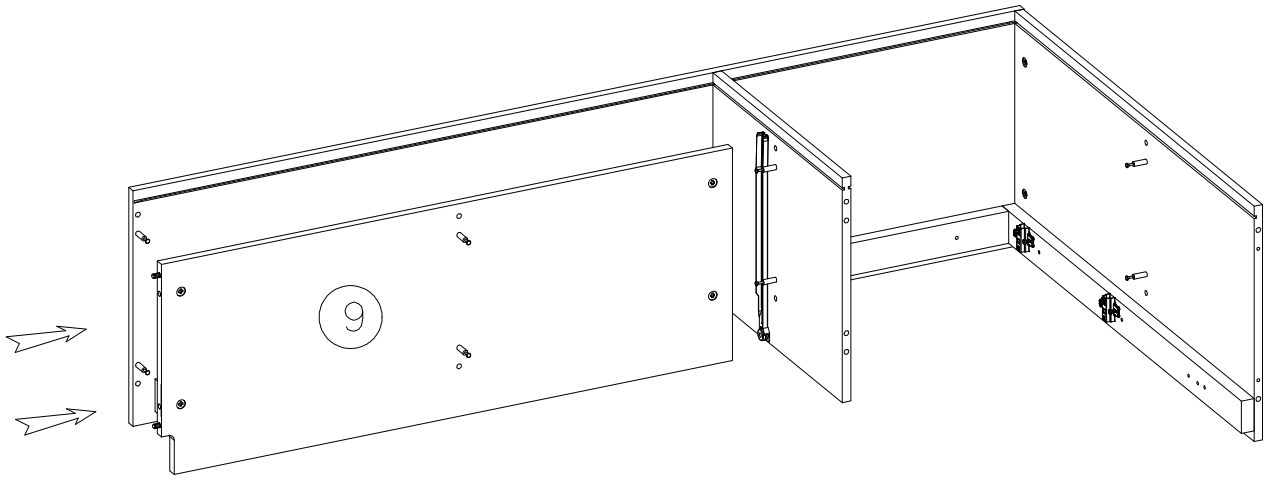


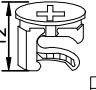
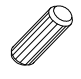

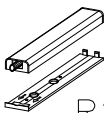
 A 2	 B 4
--	---

12

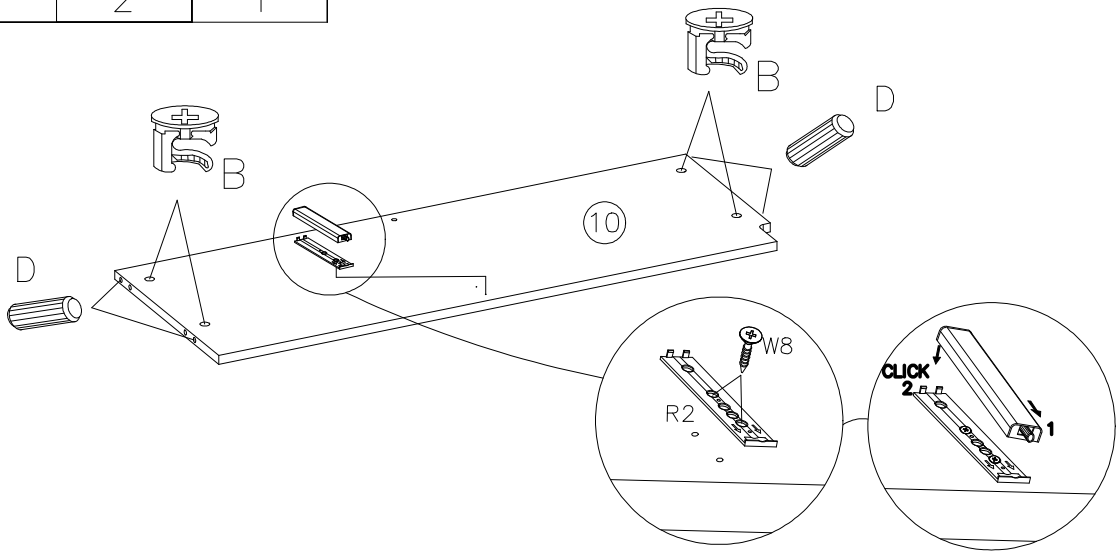



13



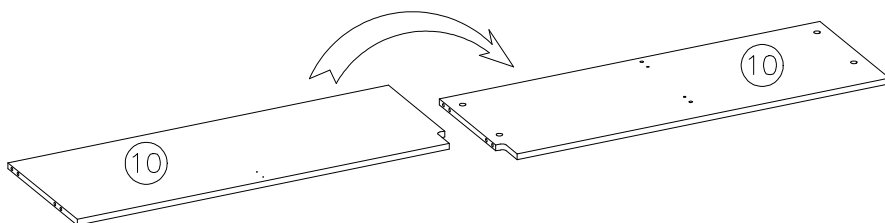
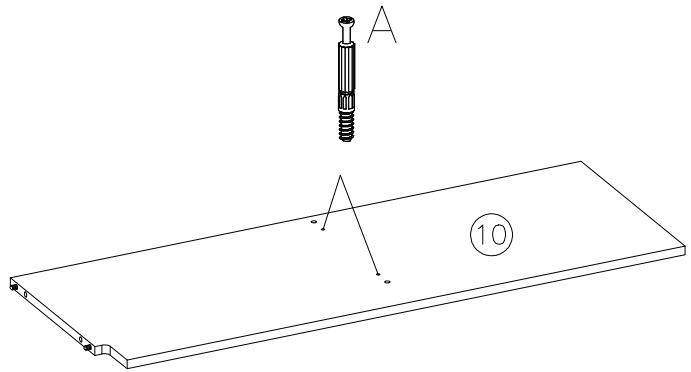
 B	8.0x30  D	3.5x13  W8	 R2
4	4	2	1

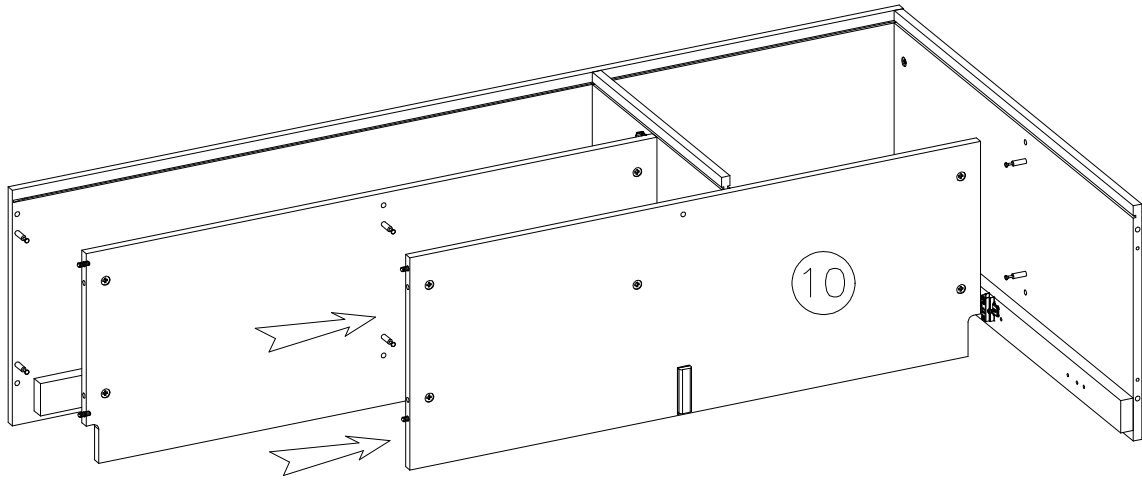
14




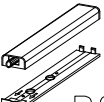


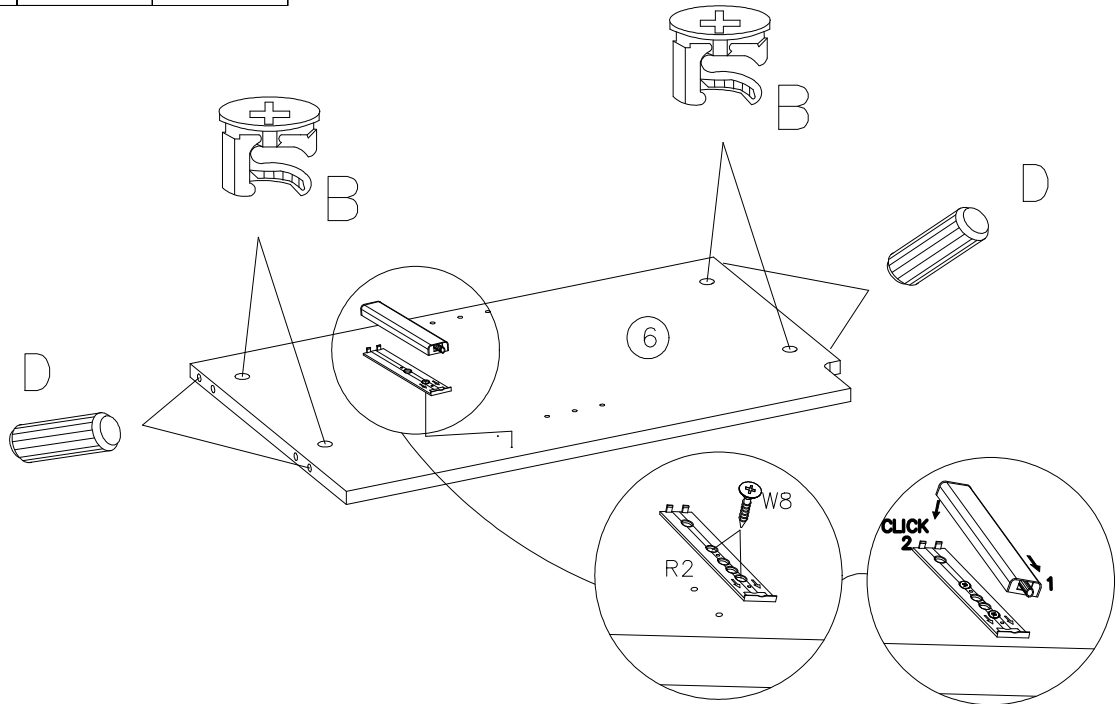
 A
2

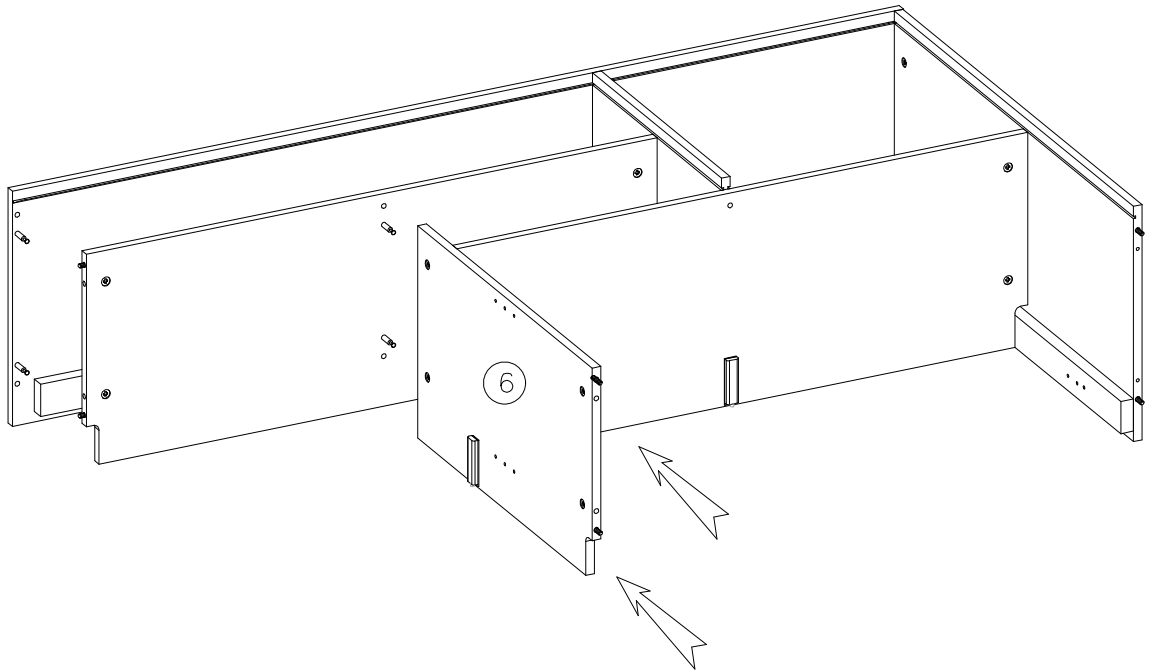
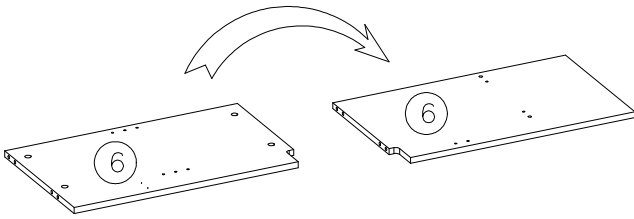
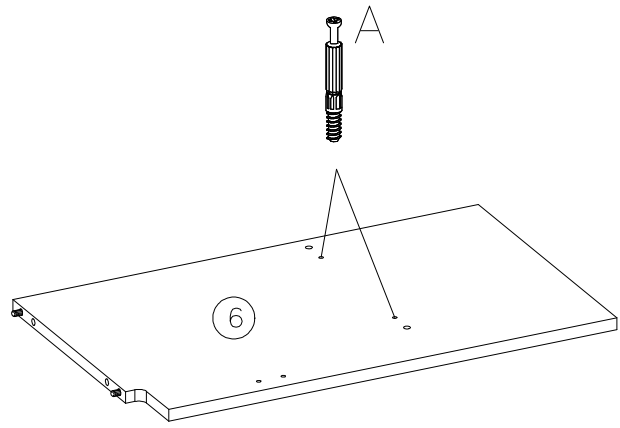
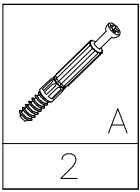
15



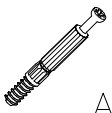
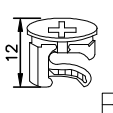
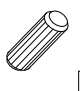


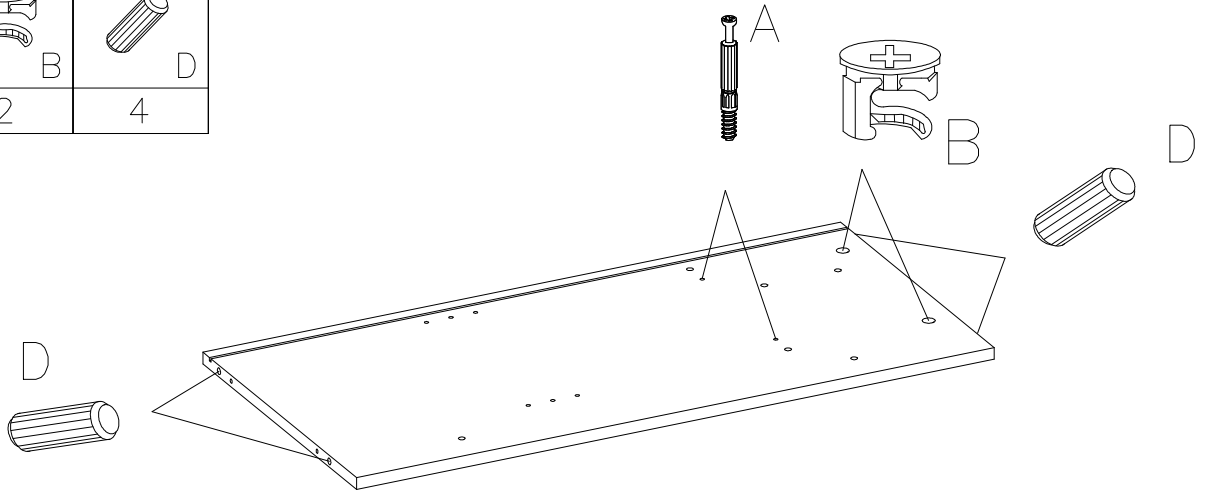
 12 B	 8.0x30 D	 3.5x13 W8	 R2
4	4	2	1



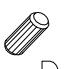


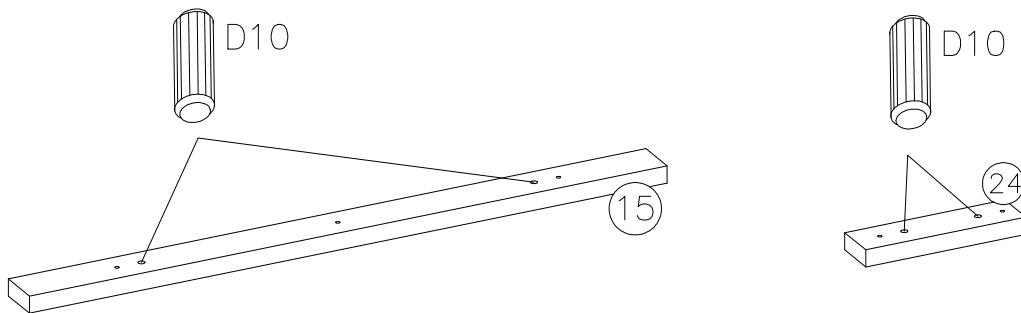
21

		8.0x30
A	B	
2	2	4

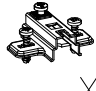
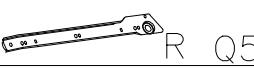





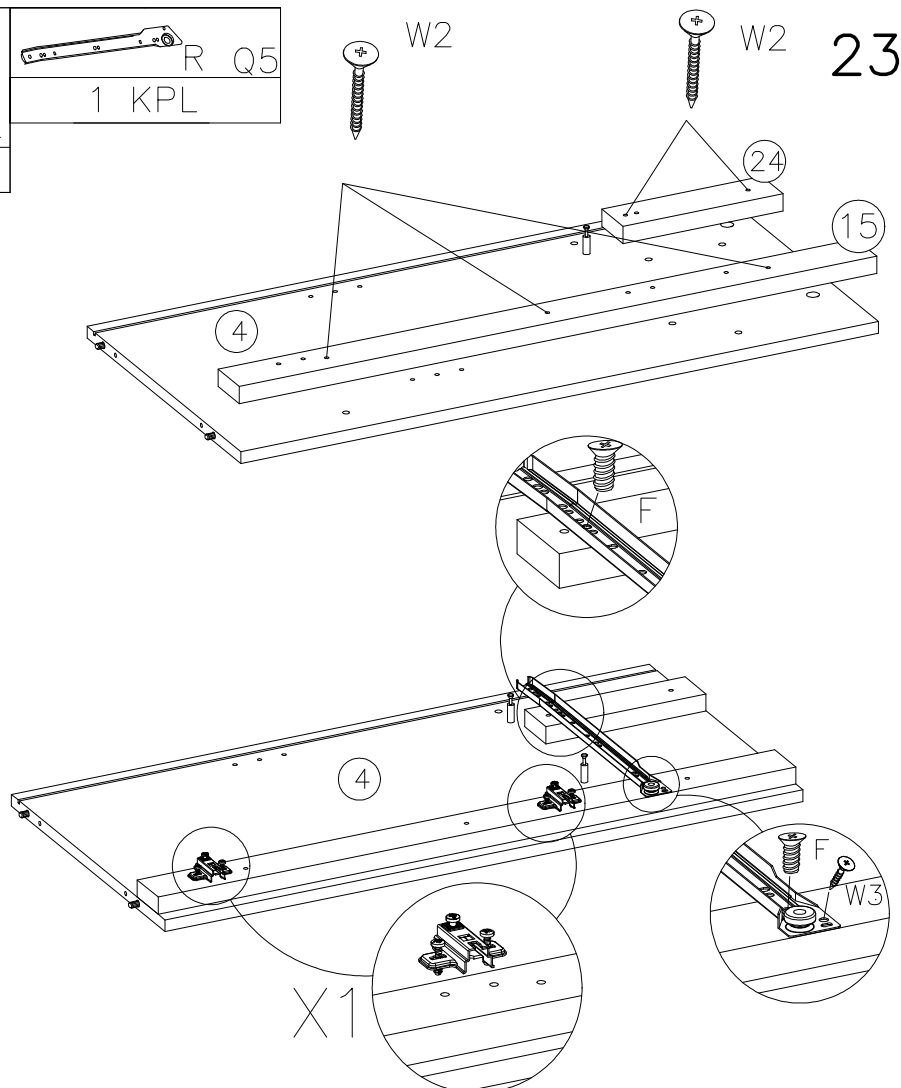
22

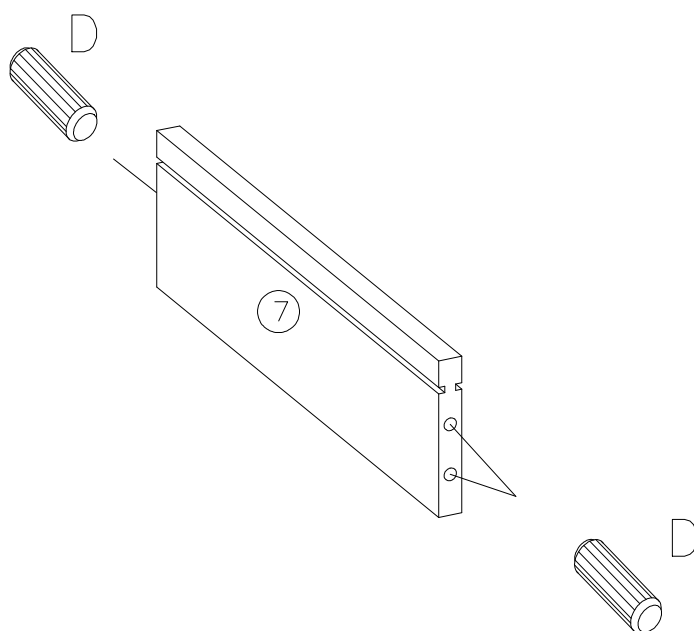
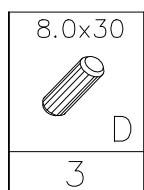
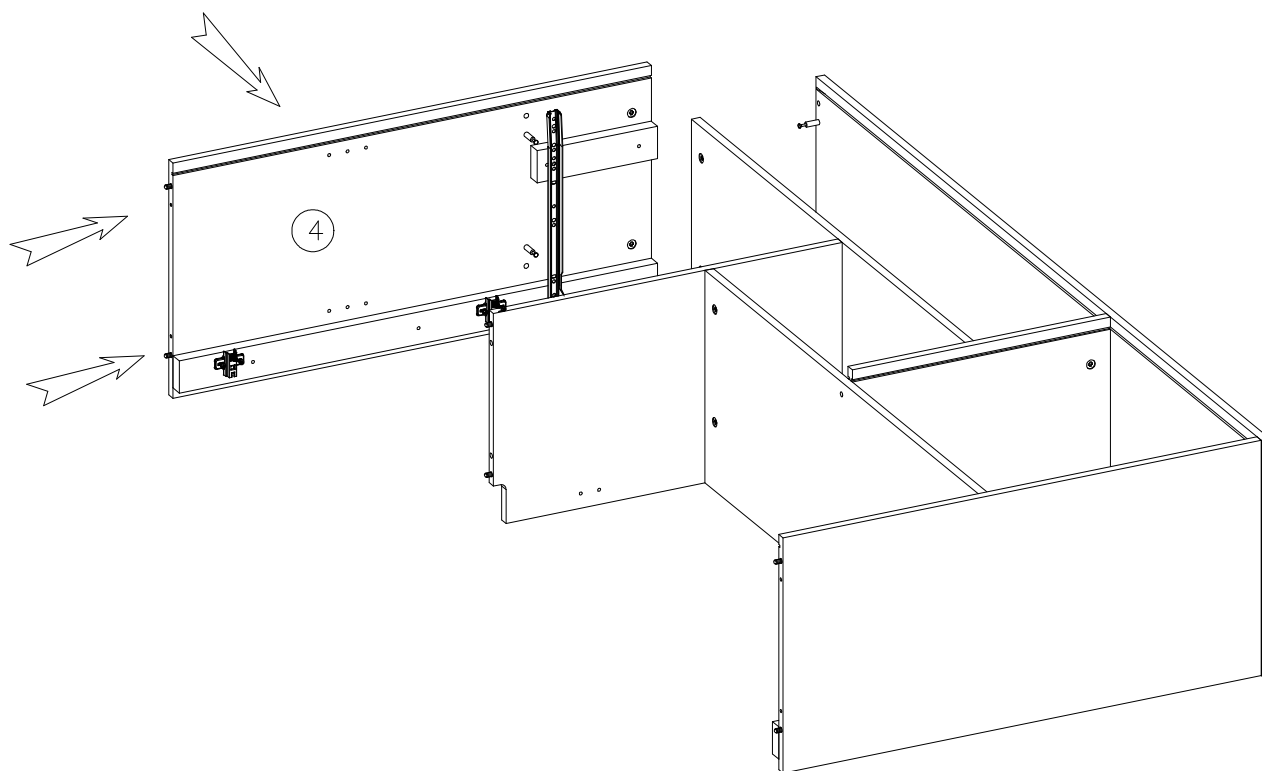
8.0x20

D10
4

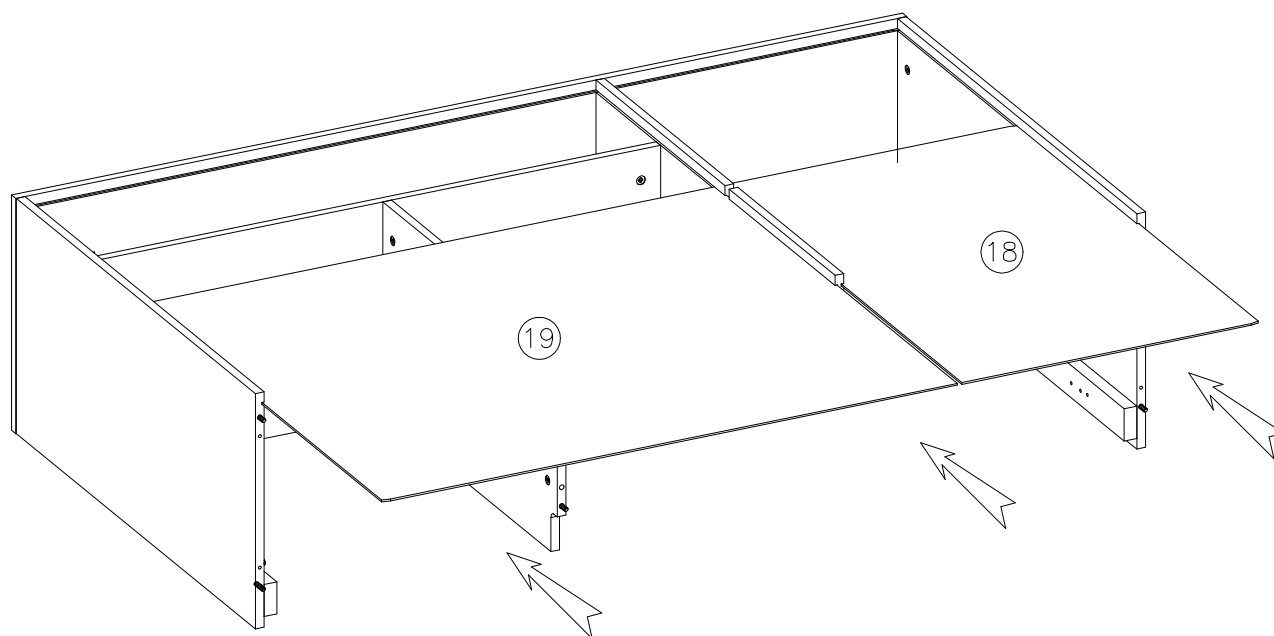
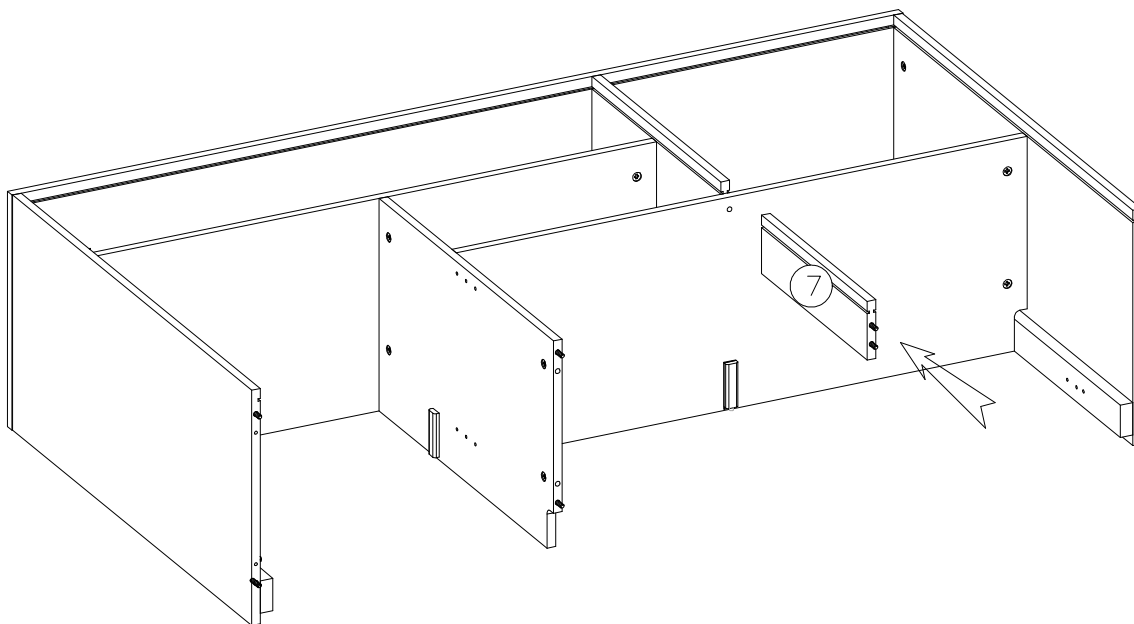




23

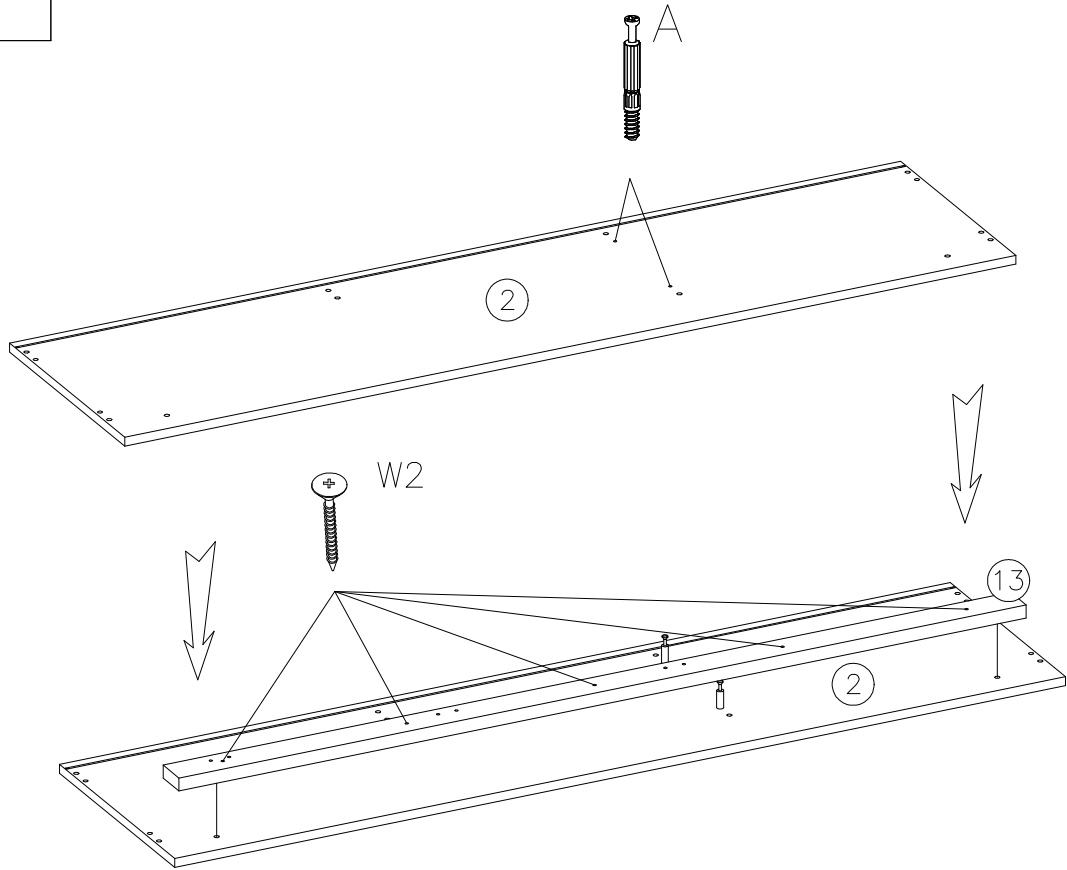
6.3x13	3.0x13		3.5x30	
		X1		R Q5
2	1	2	5	1 KPL

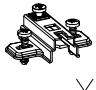


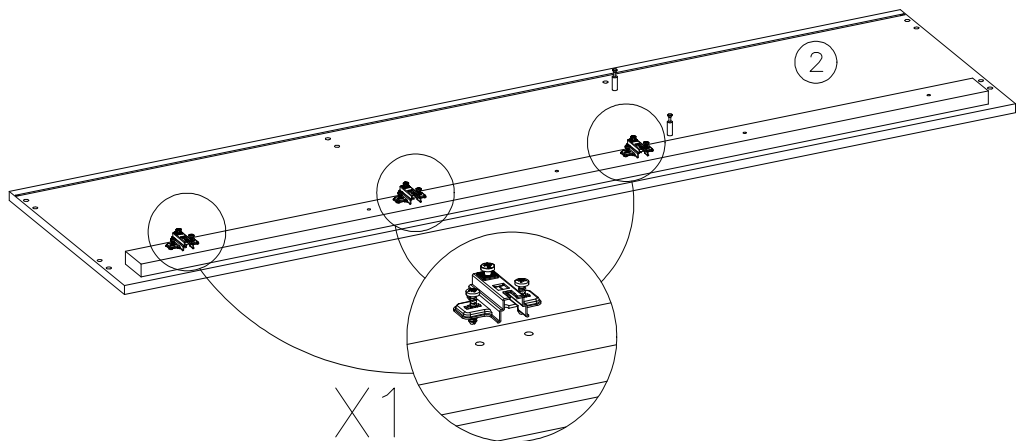


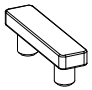


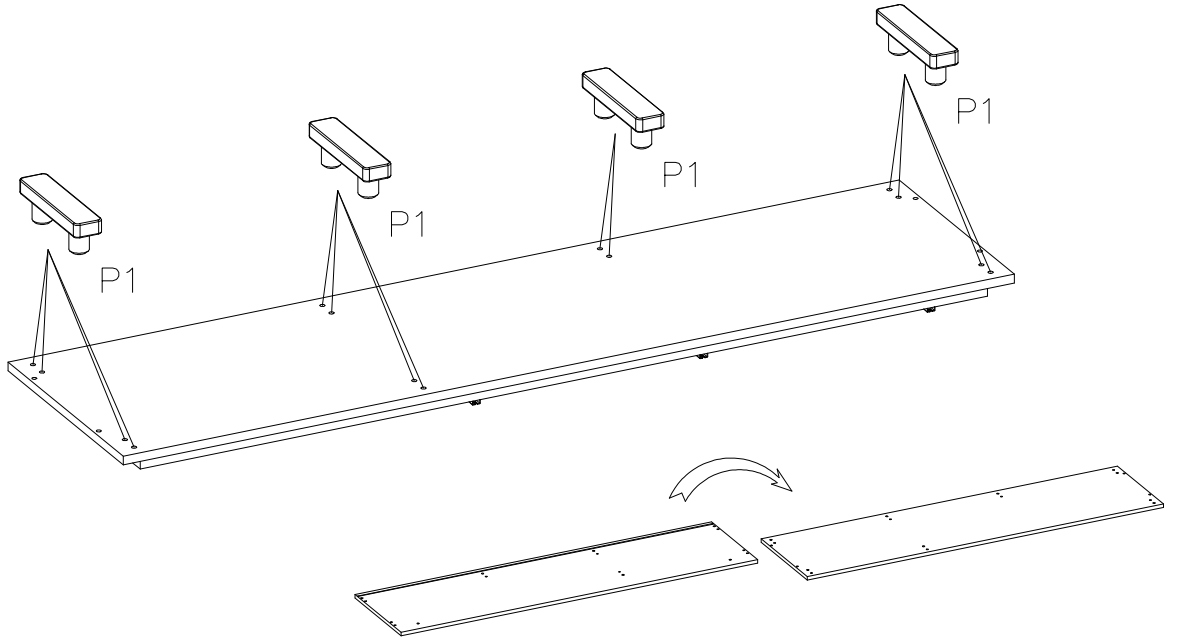
 A	3.5x30  W2
2	5





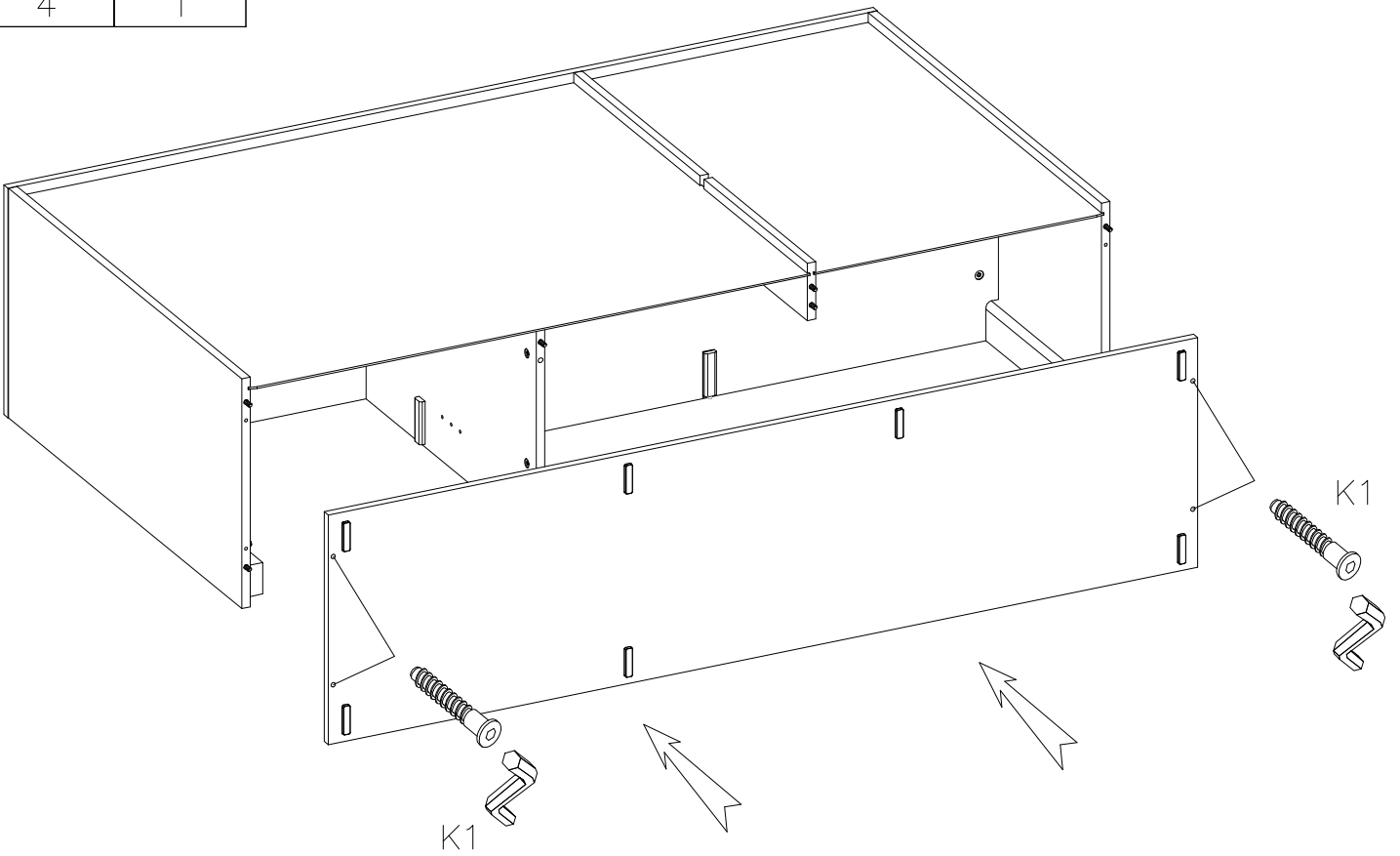
 X1
3

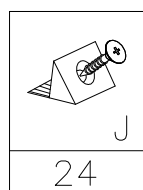
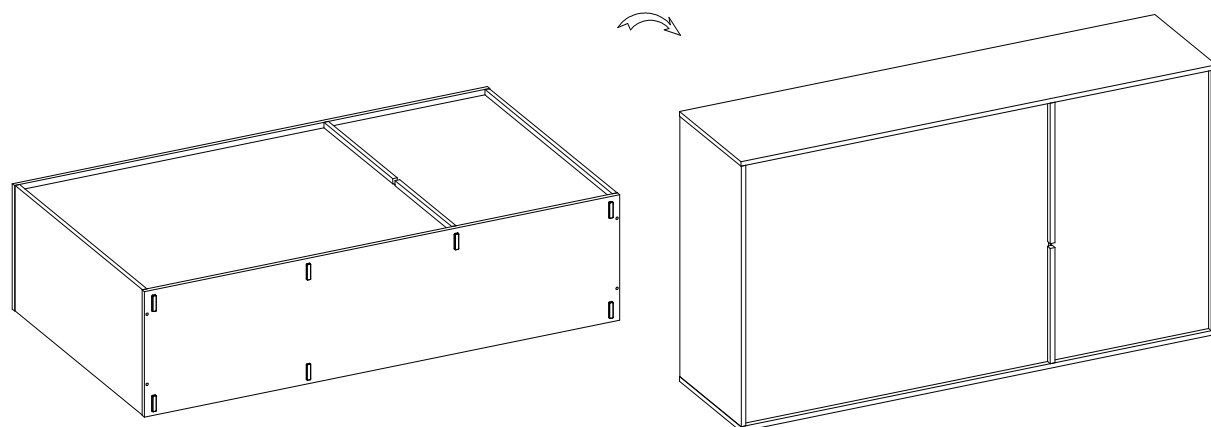



P1
7

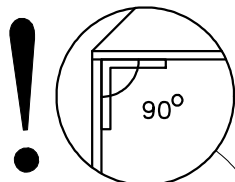


6.4X50	4mm
	
K1	I2
4	1

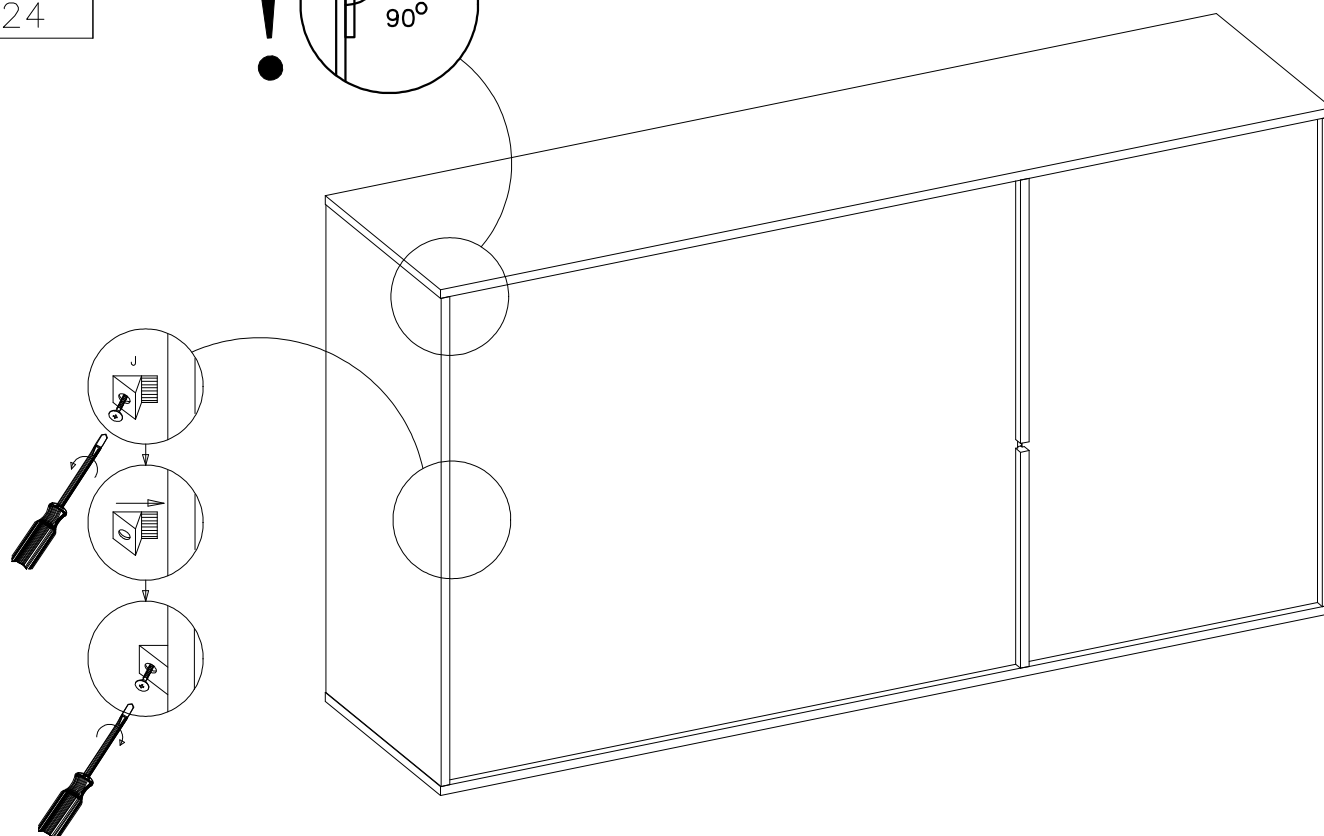



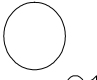


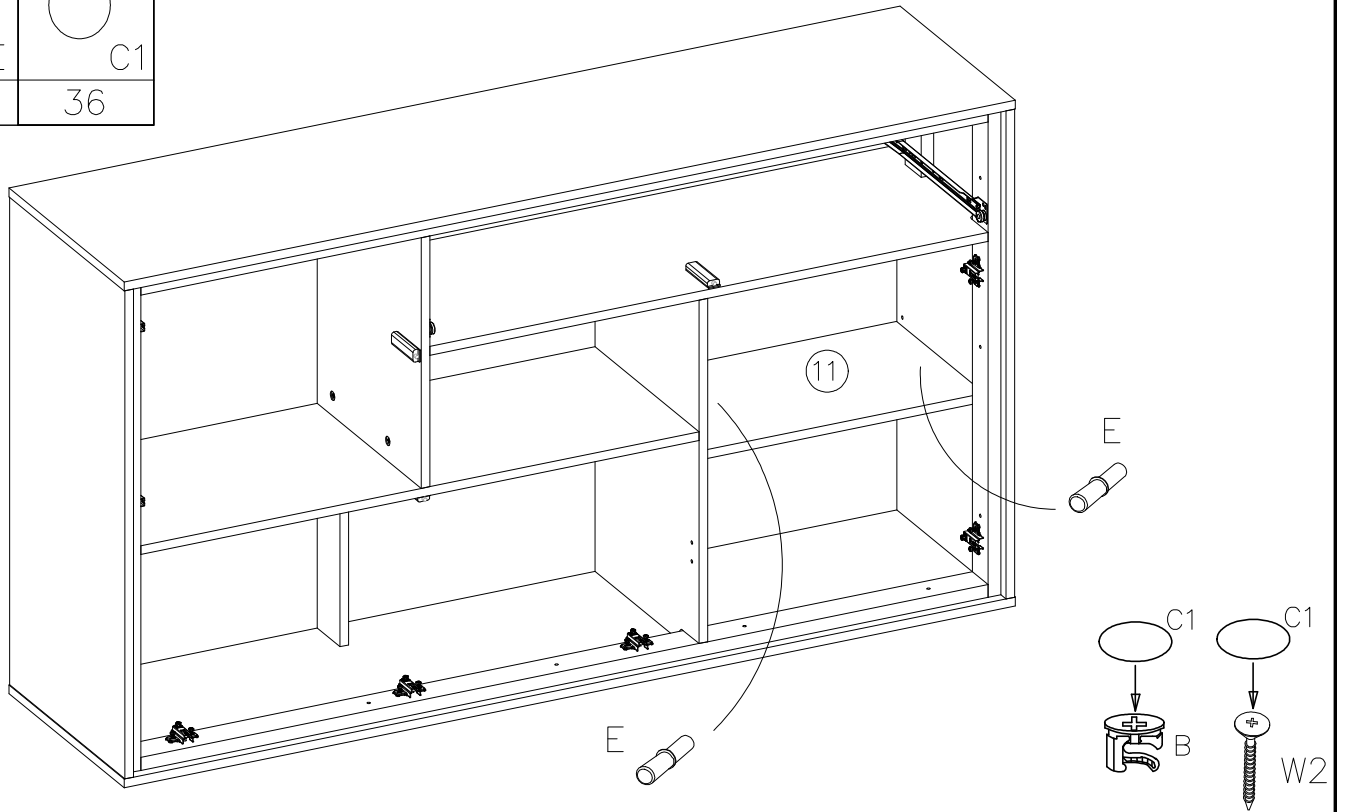
24

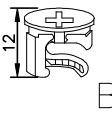
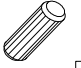

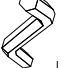


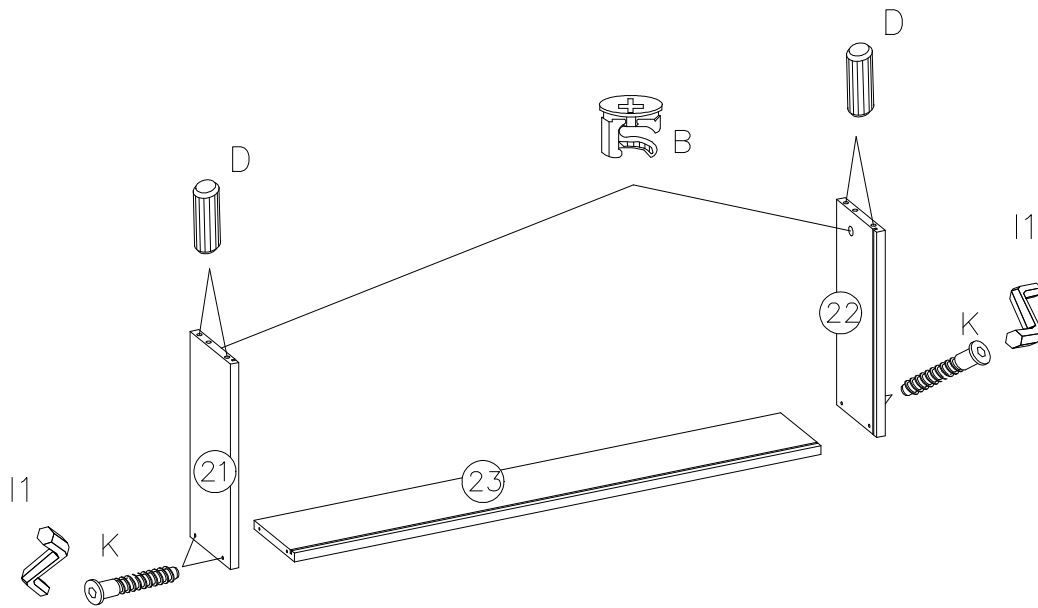
90°

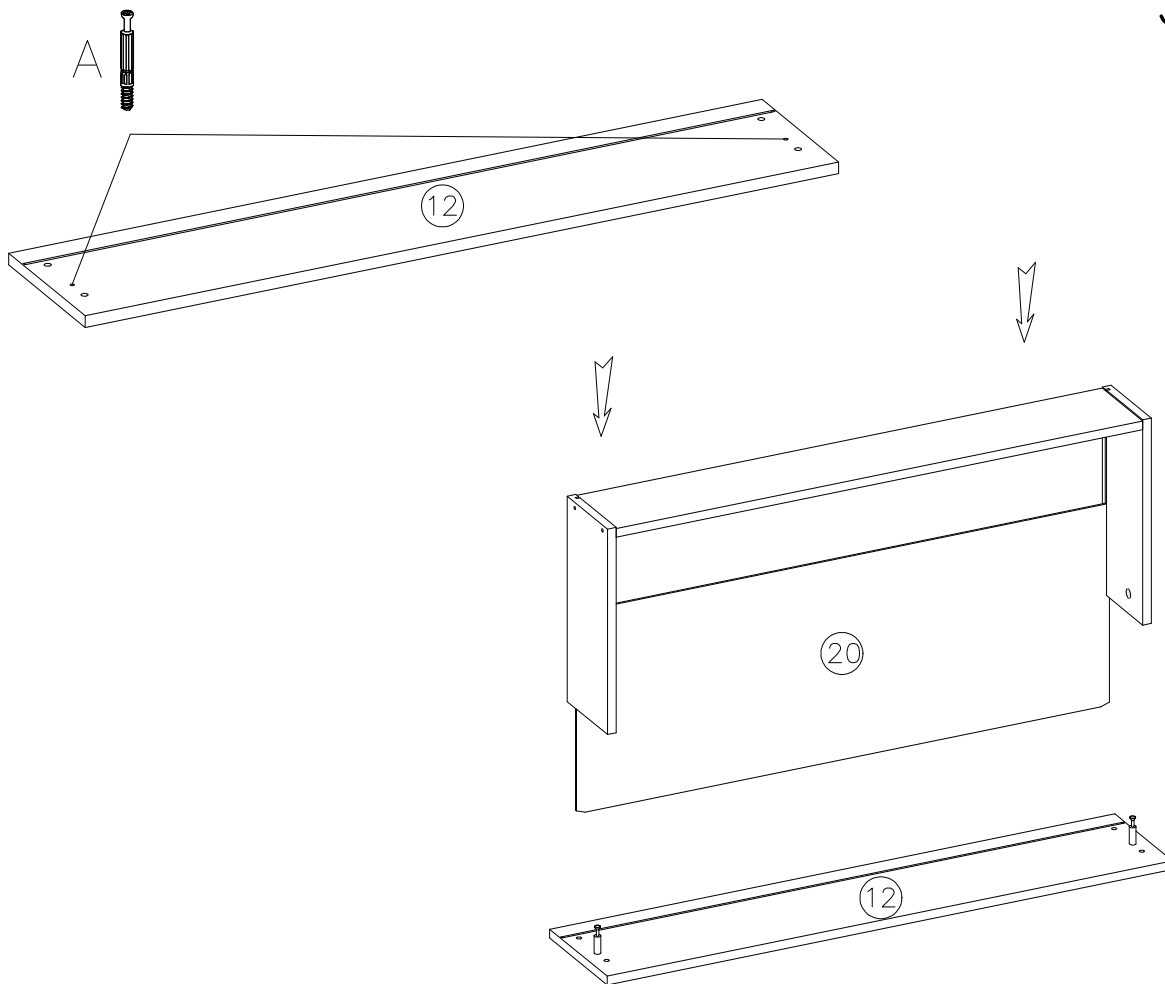
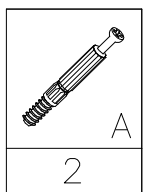


	
E	C1
4	36

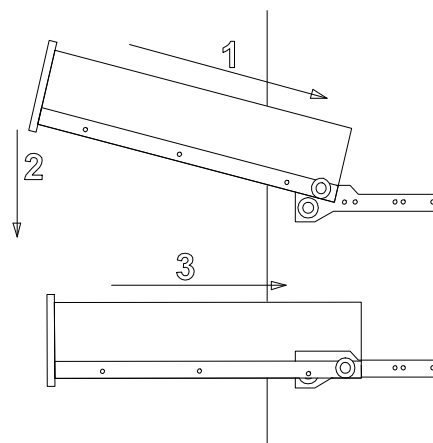
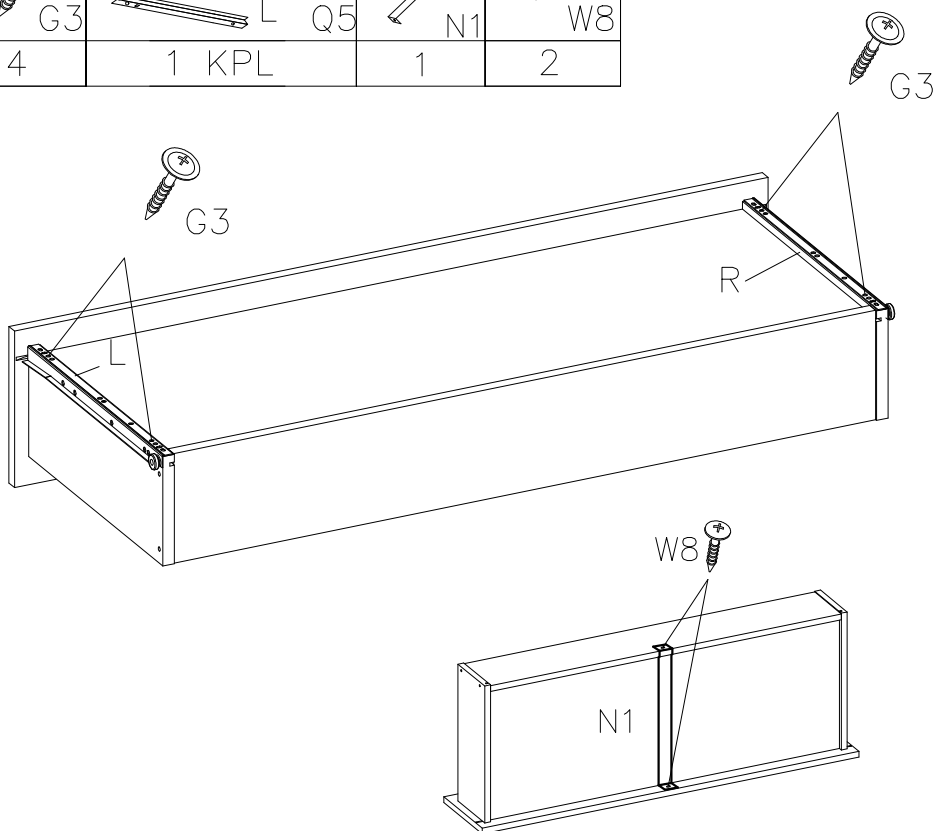


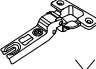

	8.0x30	5.0X50	3mm
B			
2	4	4	1

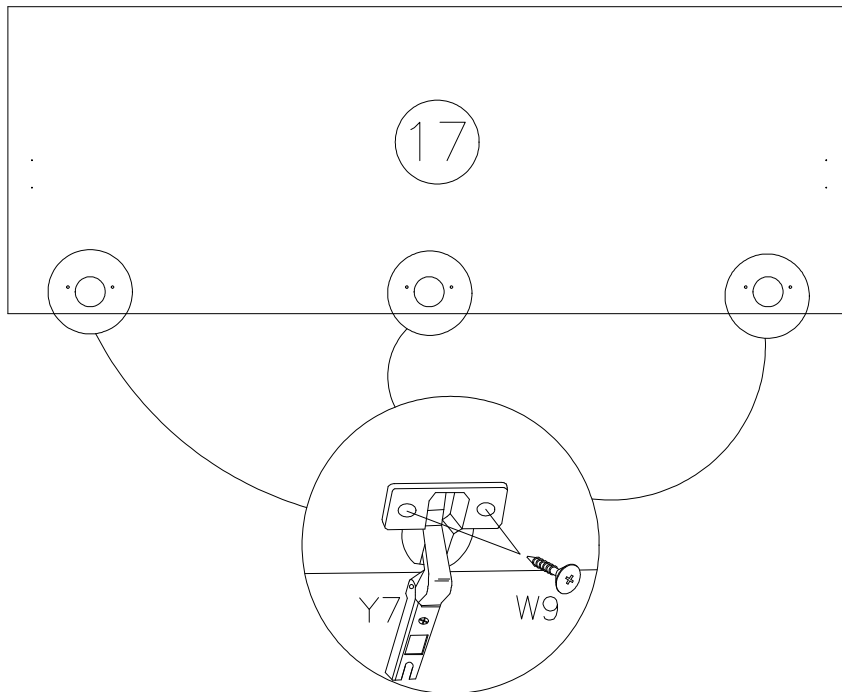
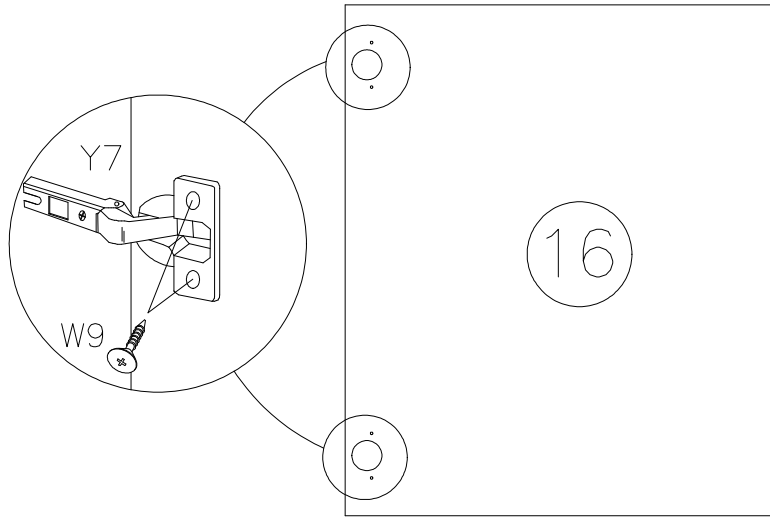
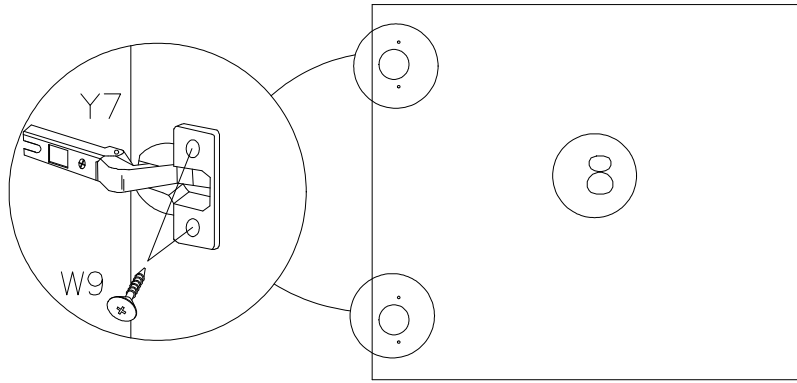



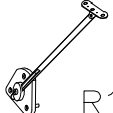


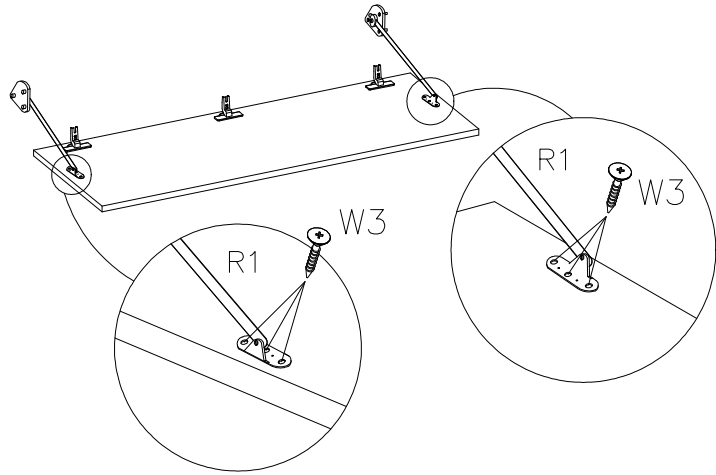
3.0x20 G3	R L Q5	L-348 N1	3.5x13 W8
4	1 KPL	1	2




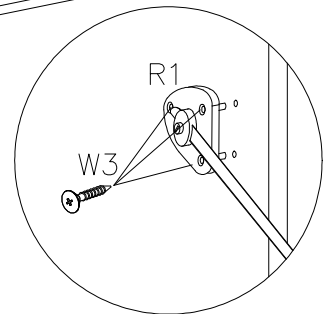
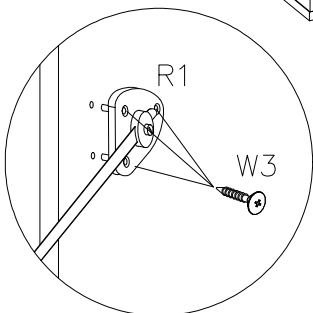
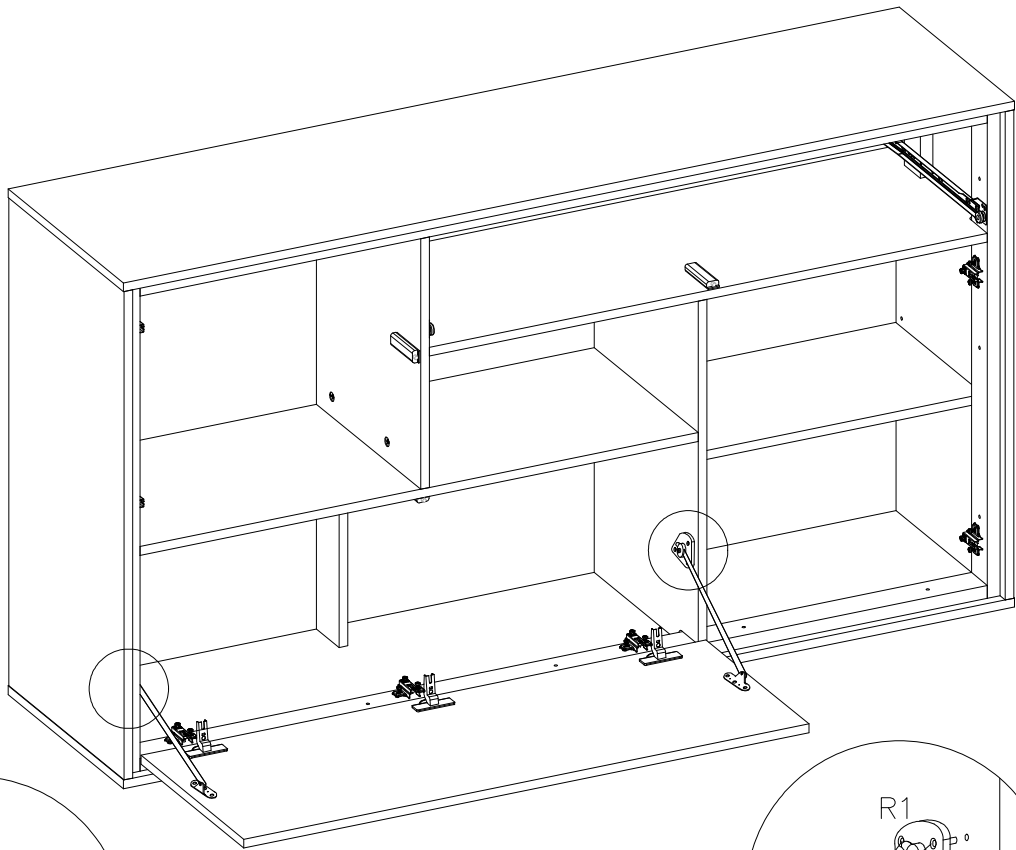
KR-8	4.0x13
 Y7	 W9
7	14

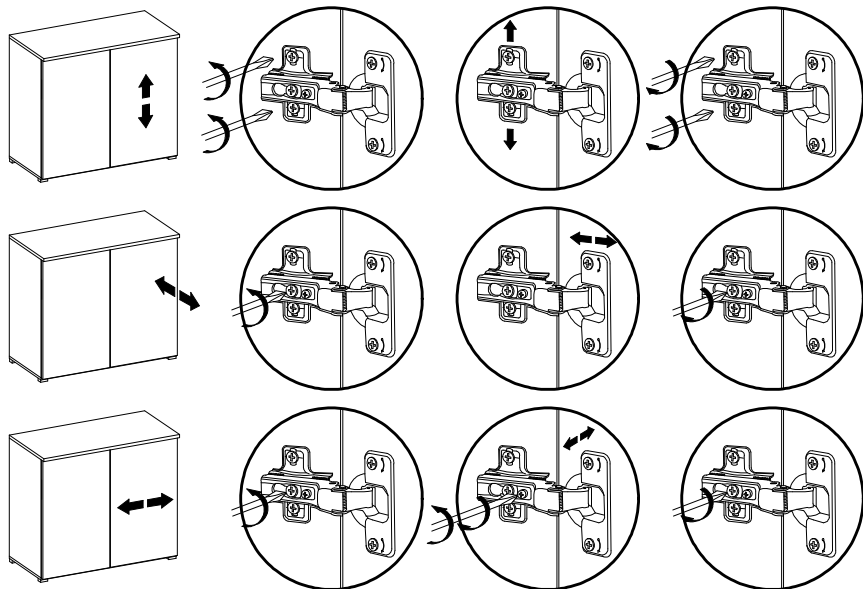
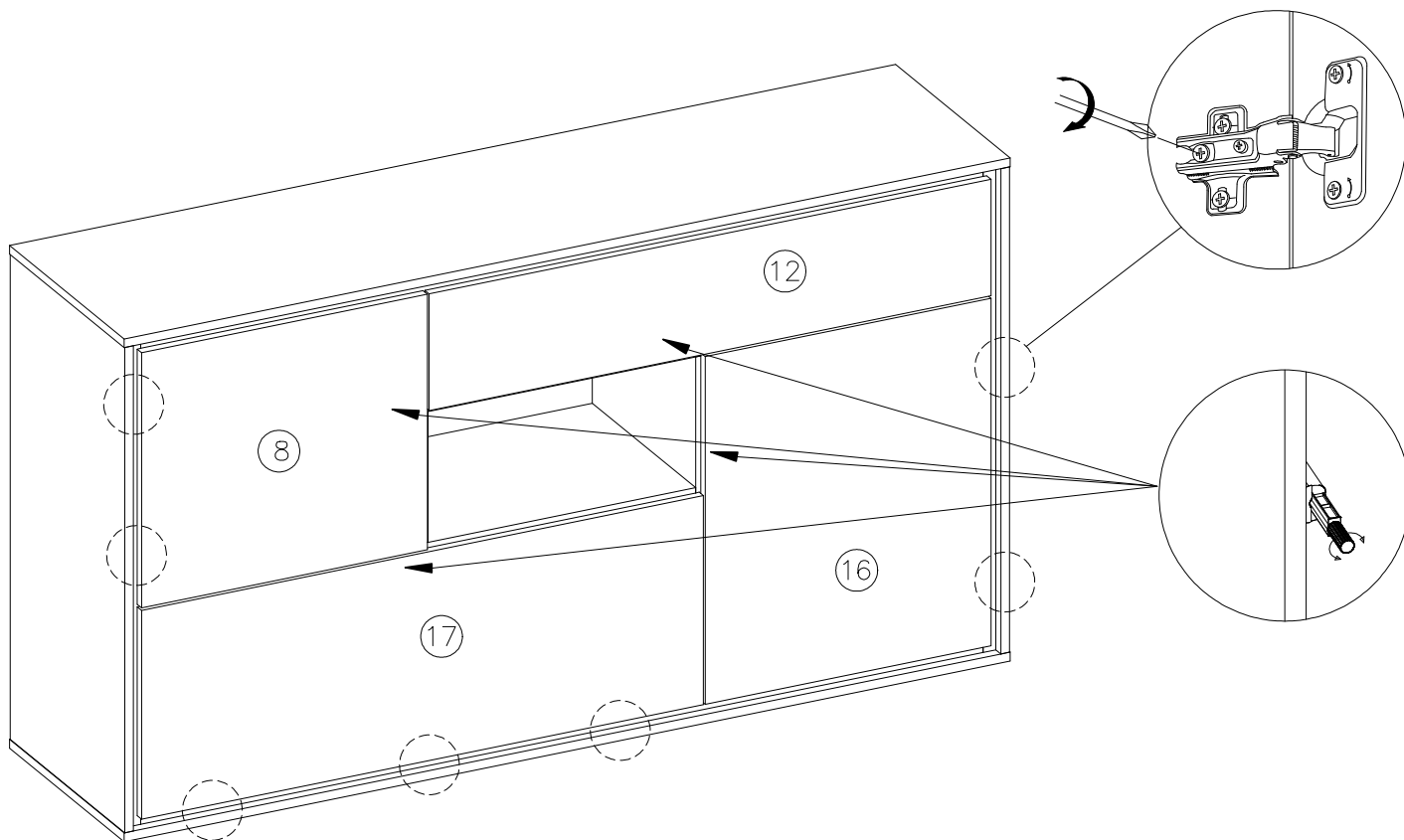


3.0x13  W3	 R1
6	2

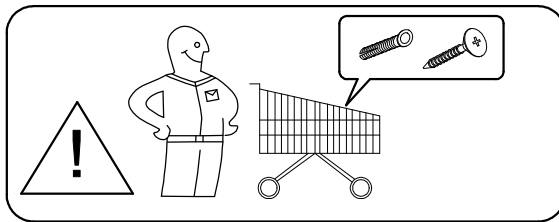
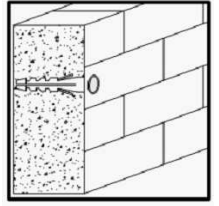
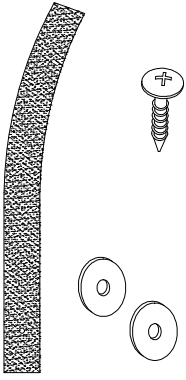


3.0x13  W3
6

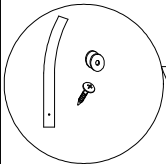
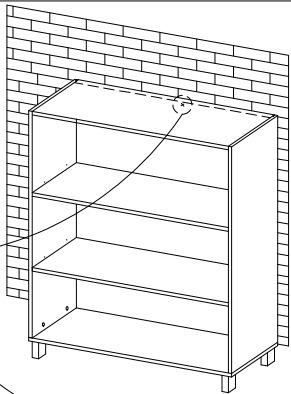




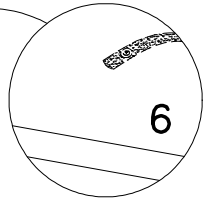
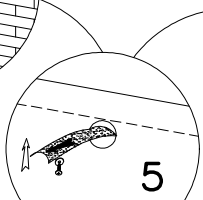
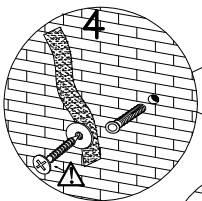
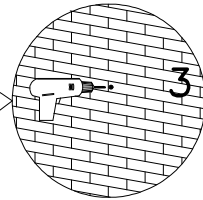
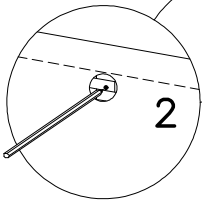
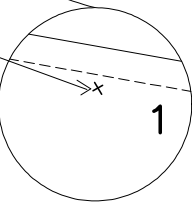
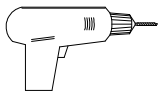
1



2a



ø8.0



2b

