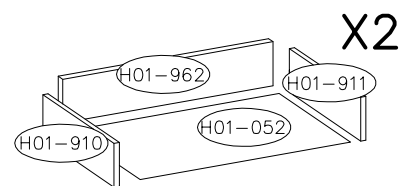
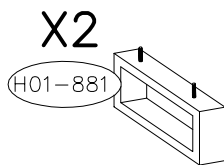
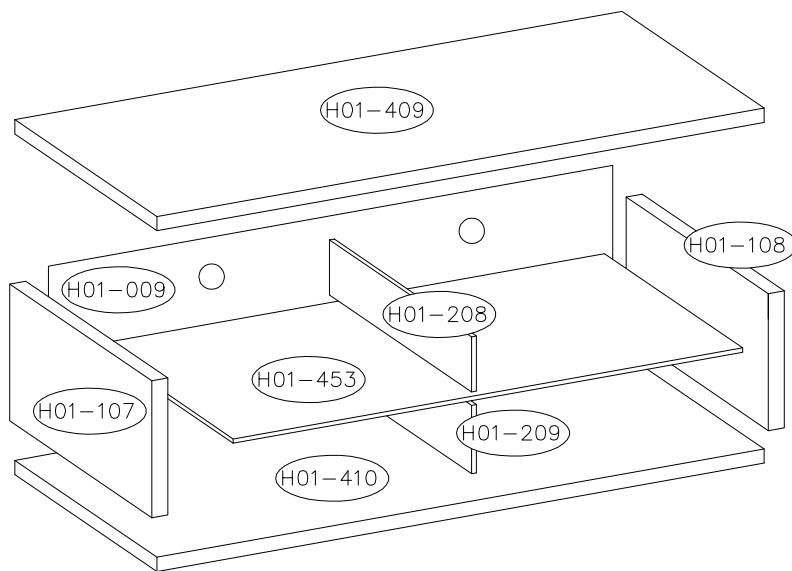

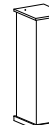
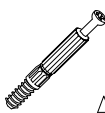
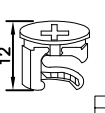
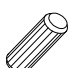






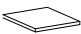

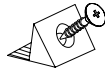







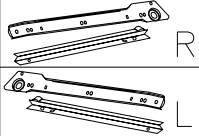
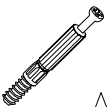
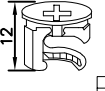
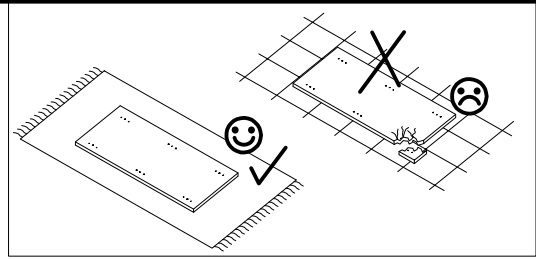

 H01-453  
 MAX  
 5kg



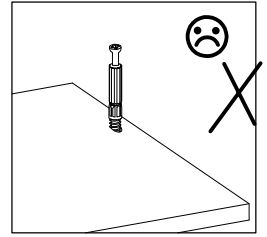
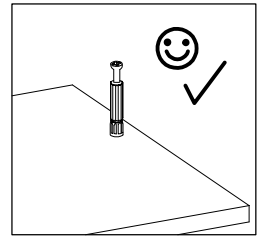
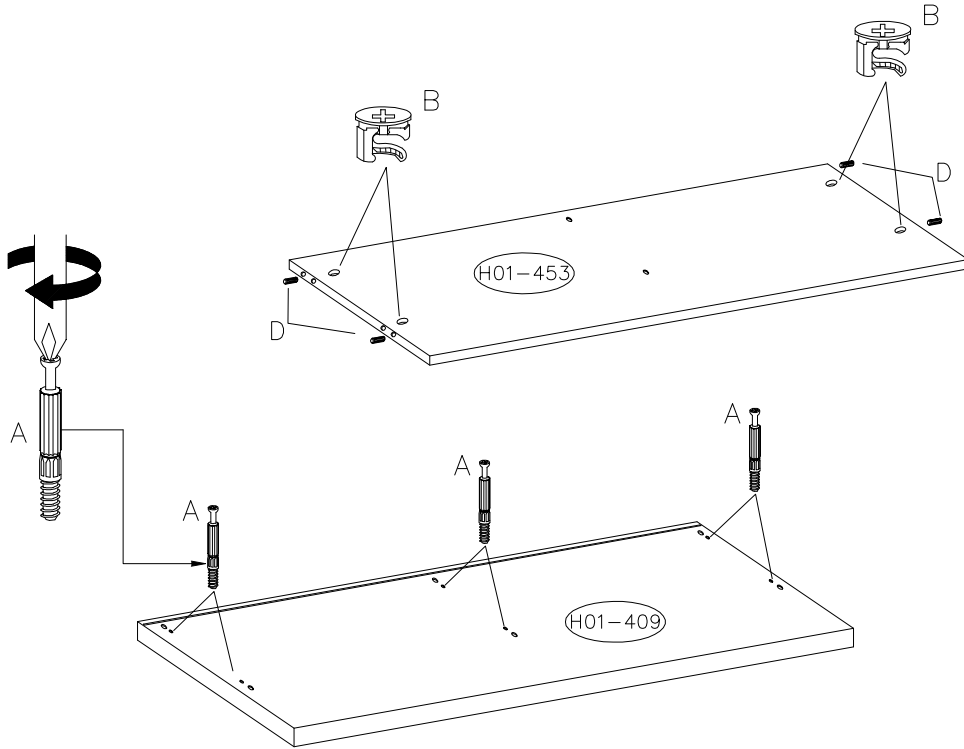
3.5x13  W8	 P7
4	1




 A	 B	8.0x30  D	L-348  N1	3.0x20  G3	5.0x50  K	8.0x50  D2	M4.0x8  M3	6.4x70  K4	 P8
18	18	24	2	8	8	2	4	2	4
 T6	 J	3.0x13  W3	 C	L-296  UA5	4mm  I2	3mm  I1	6.0x11  F1	 T2	 R L
4	8	12	10	2	1	1	4	2	2 KPL

		8.0x30
A	B	D
6	4	4

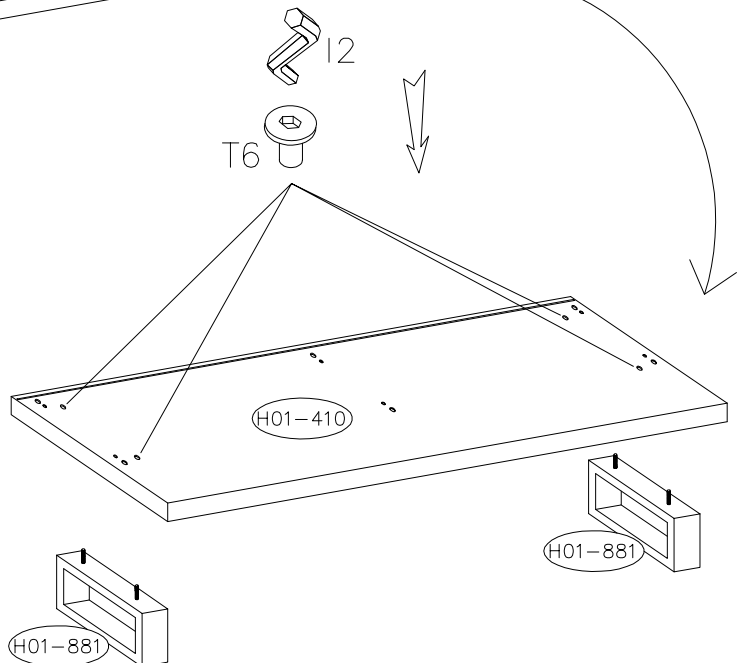
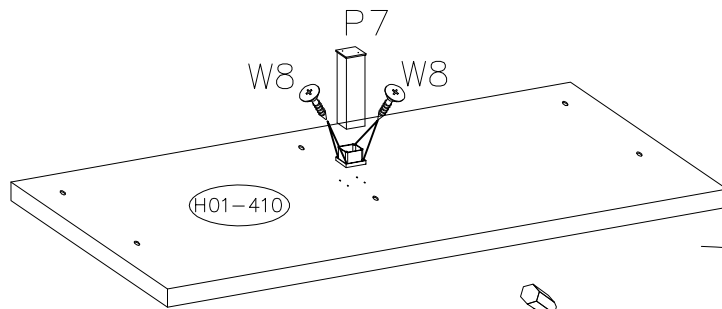


1

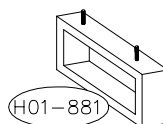
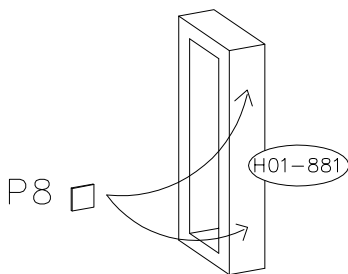


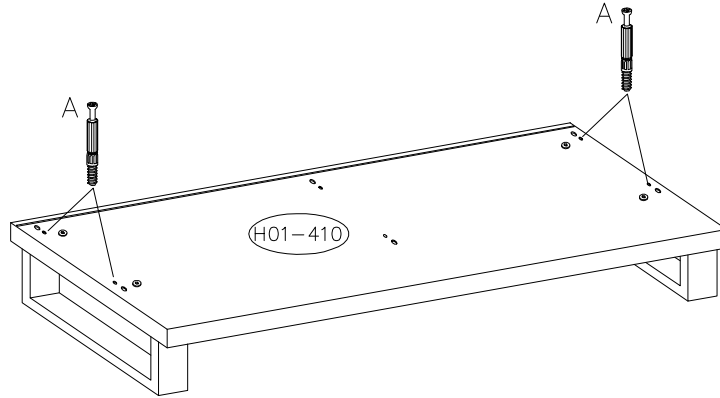
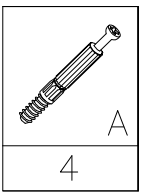
	4mm	3.5x13
T6	I2	W8
4	1	4
		
P7	P8	
1	4	

2

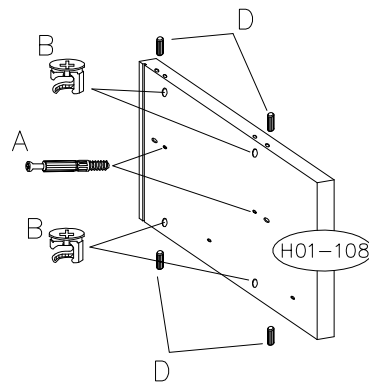
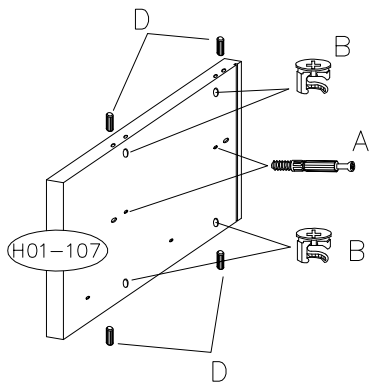


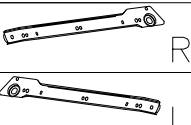
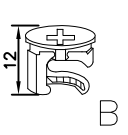
X2

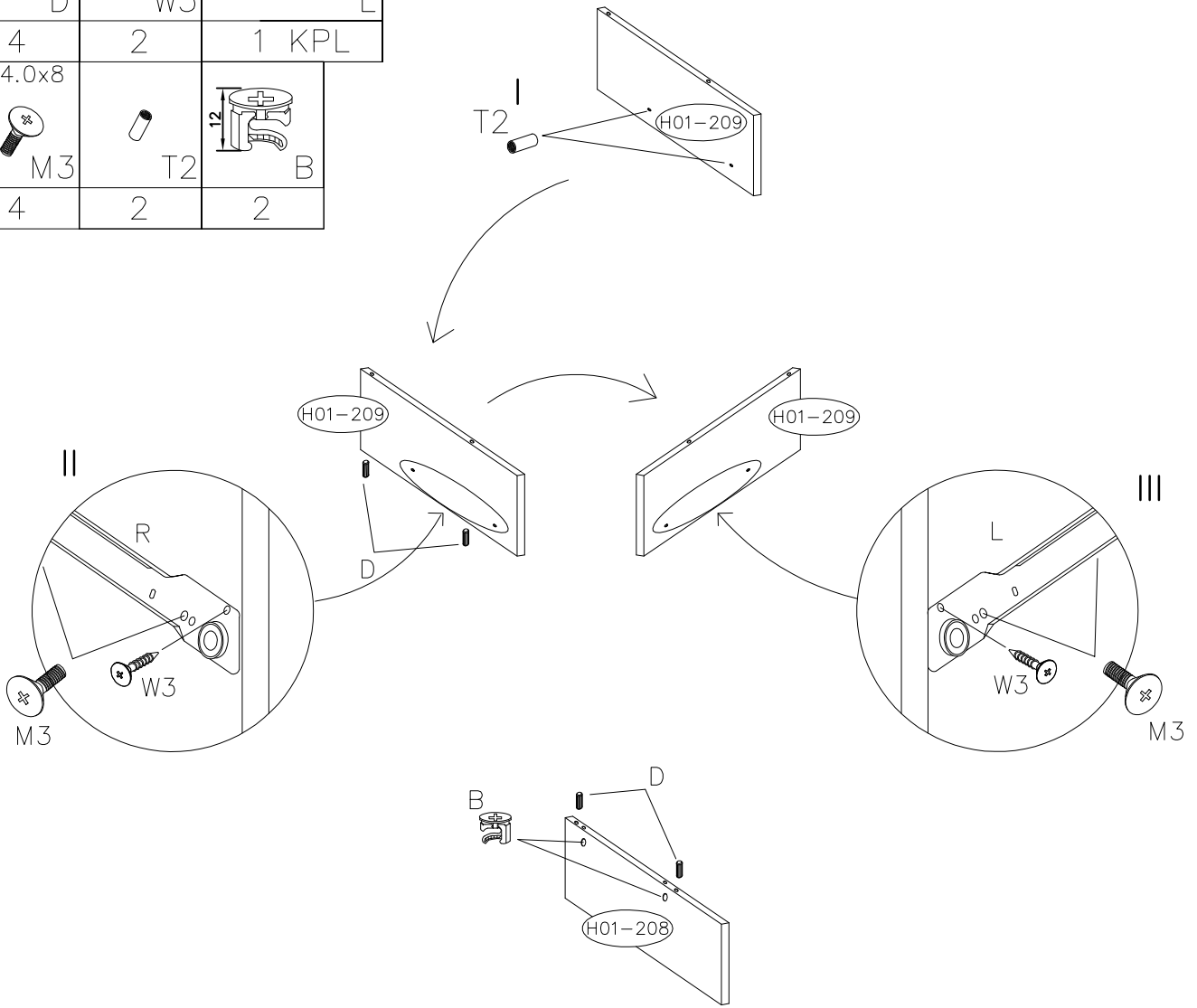




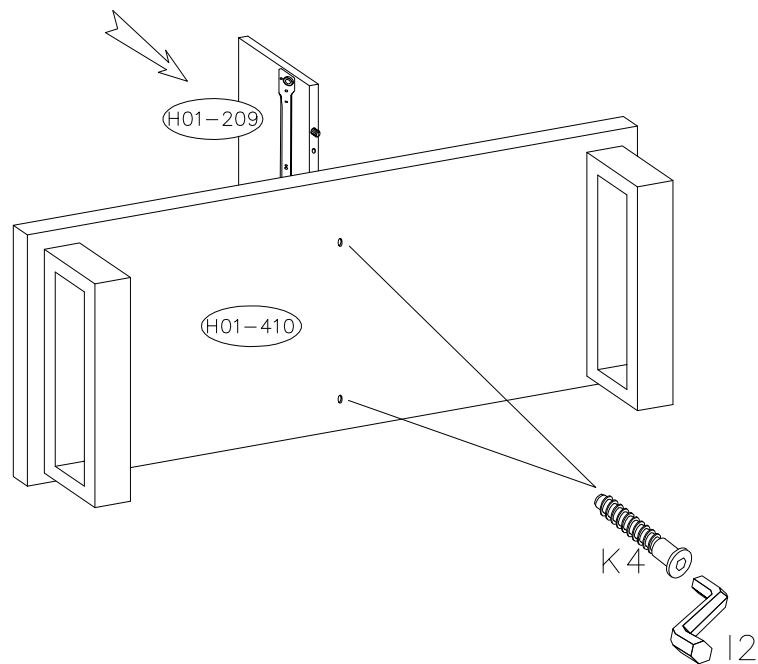
<p>12</p> <p>B</p>	<p>8.0x30</p> <p>D</p>	<p>A</p>
<p>8</p>	<p>8</p>	<p>4</p>

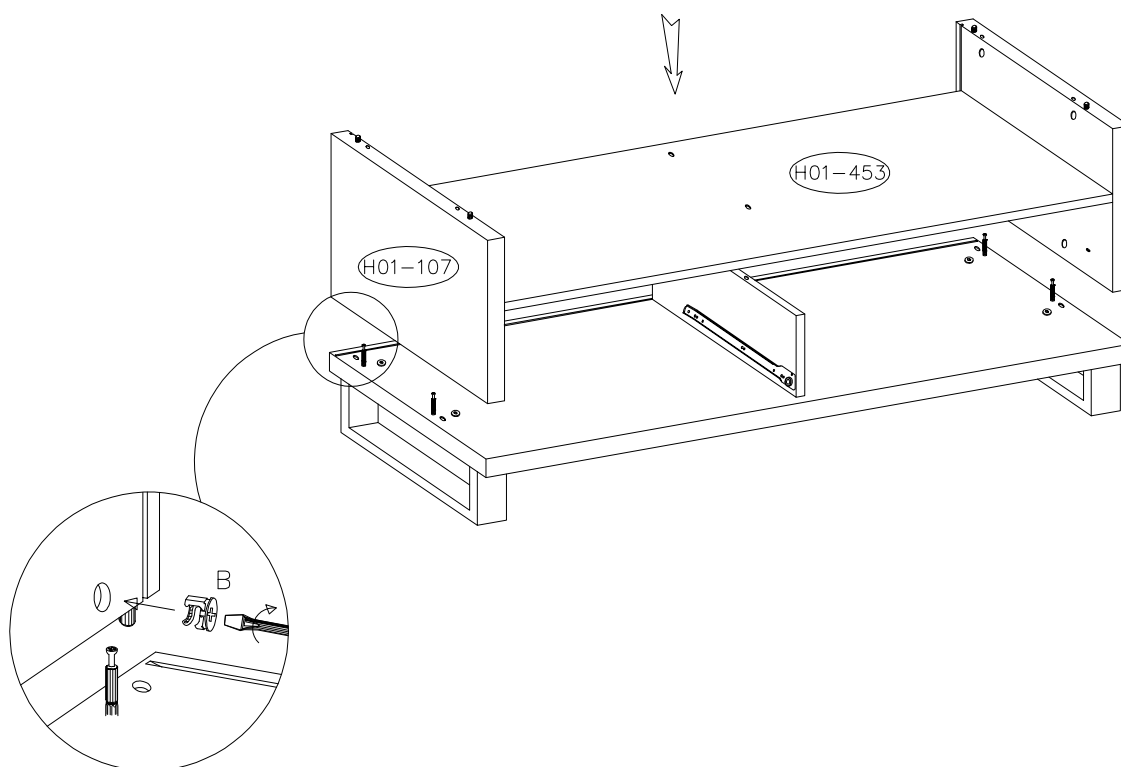
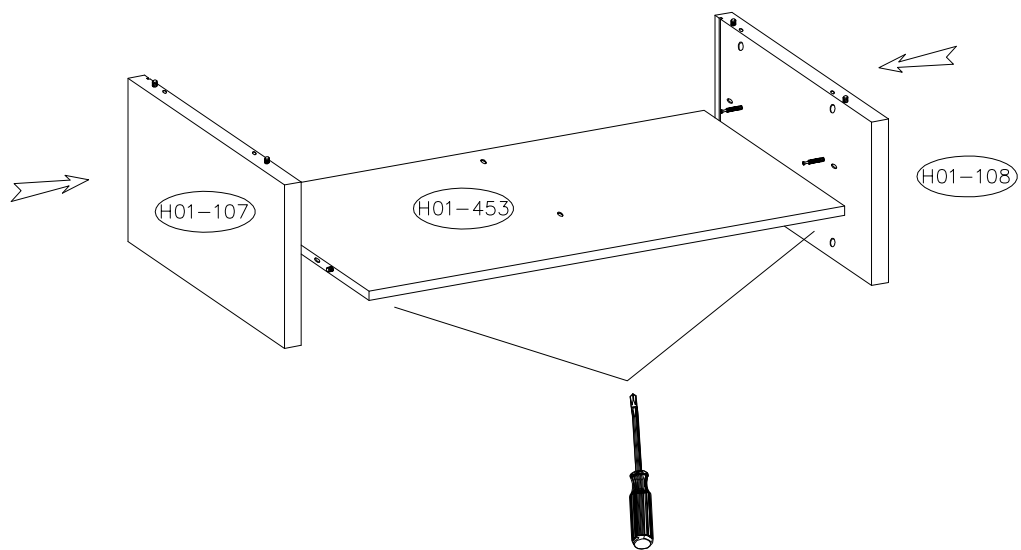


8.0x30 D 4	3.0x13 W3 2	 R L 1 KPL
M4.0x8 M3 4	T2 2	 B 2

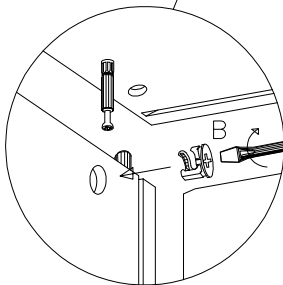
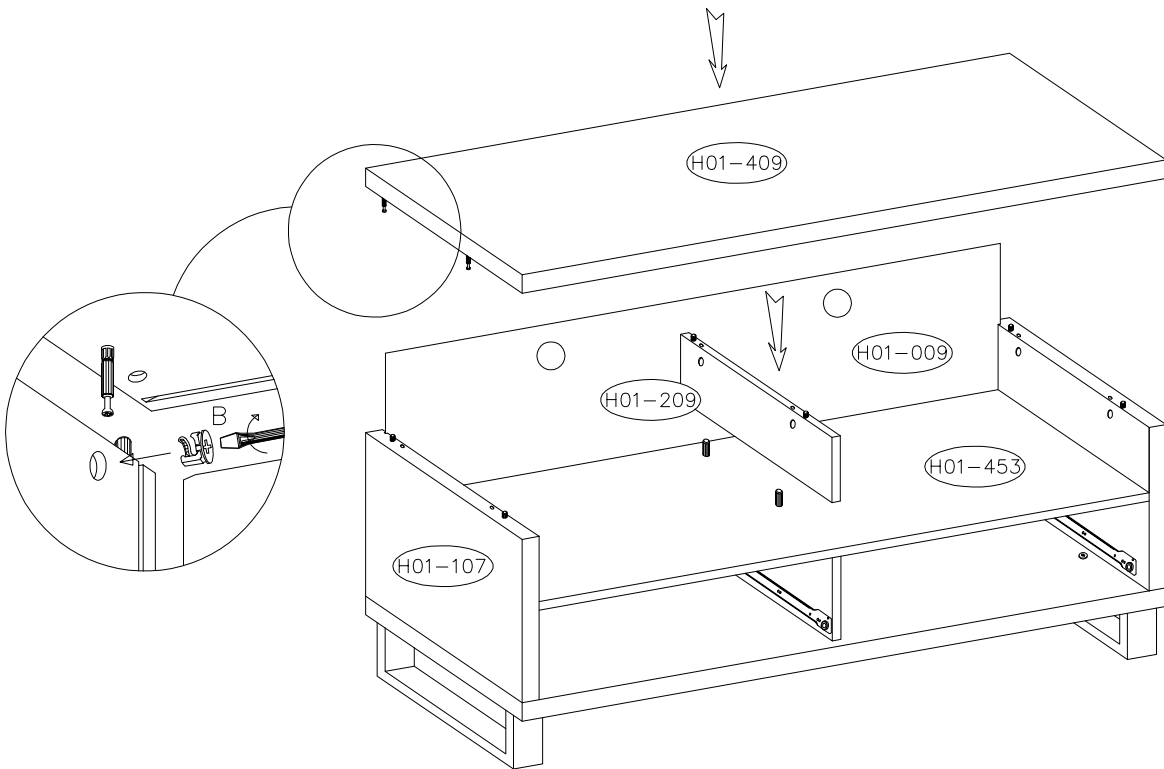
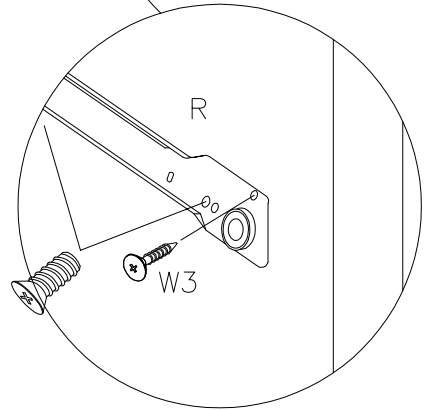
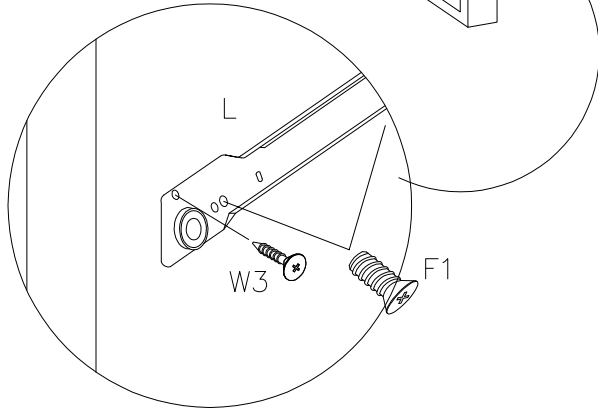
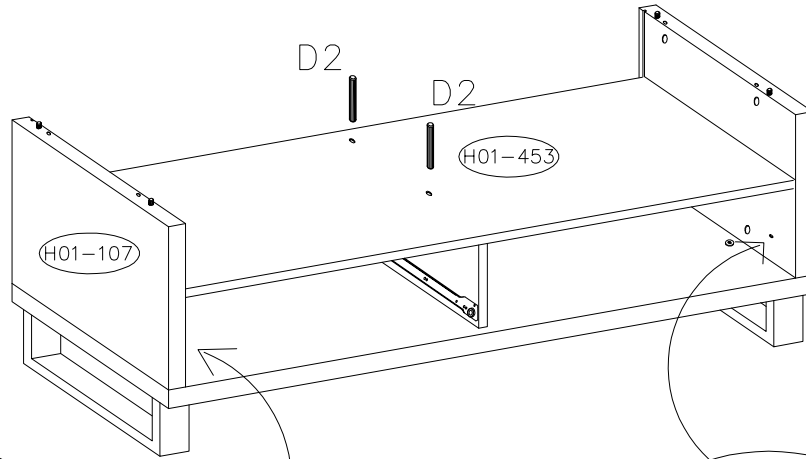


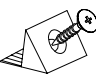

4mm 12	6.4X70 K4
1	2

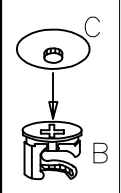
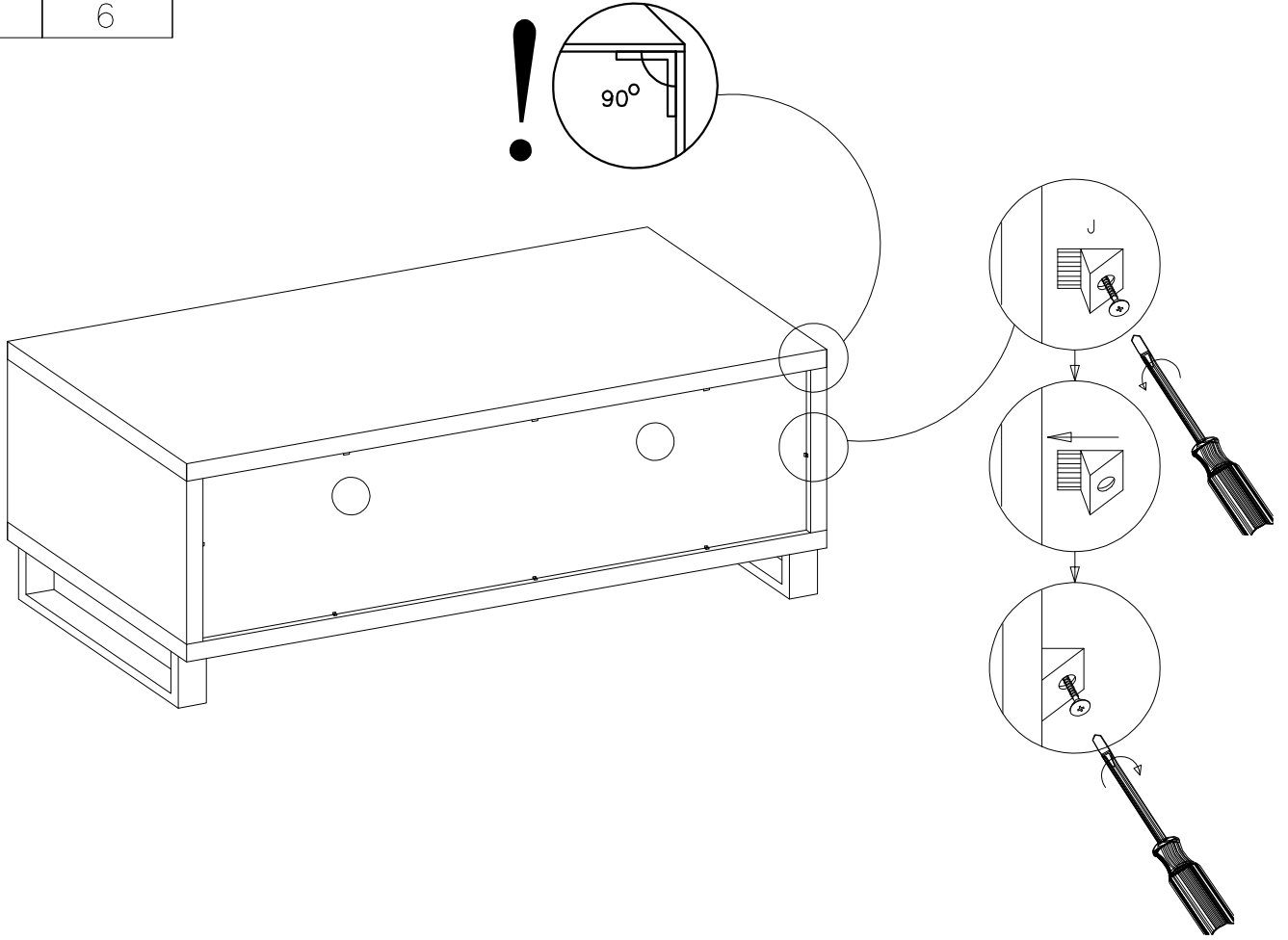


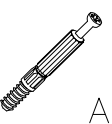


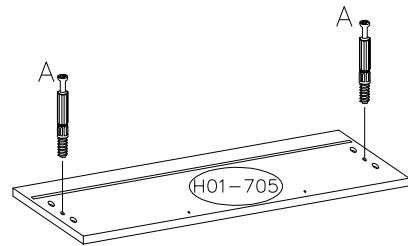
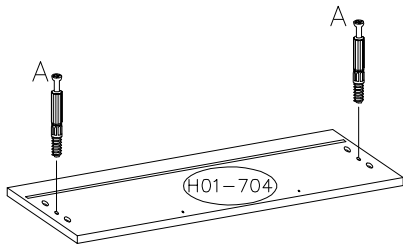
6.0x11 F1 4	3.0x13 W3 2	 R L 1 KPL	8.0x50 D2 2
-------------------	-------------------	---------------------	-------------------



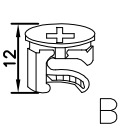




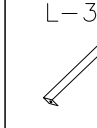
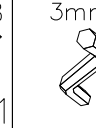
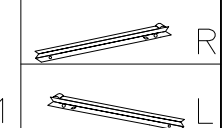

 J	 C
8	6

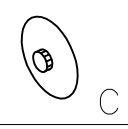


 A
4





	8.0x30 	3.0x20 	5.0x50 	3.0x13 	L-348 	3mm 		L-296 
4	8	8	8	8	2	1	2 KPL	2


4

X2

