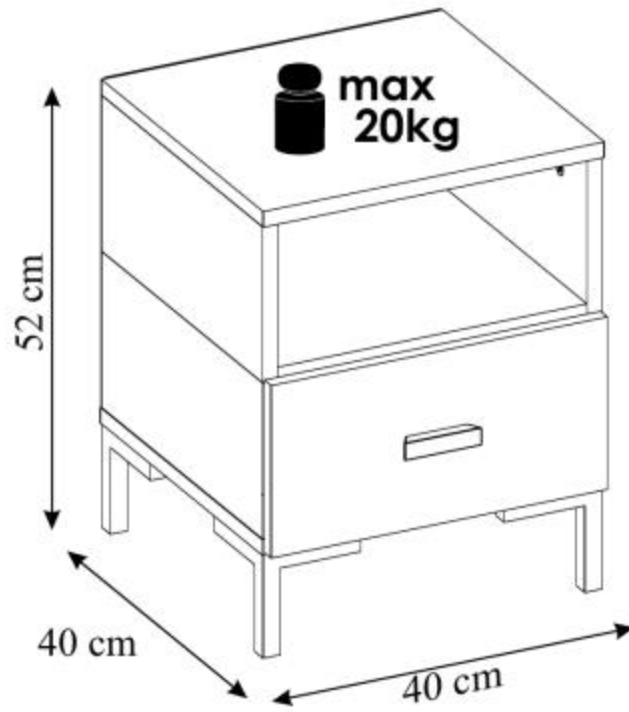
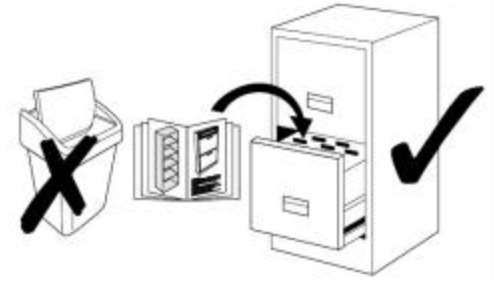




40 min.



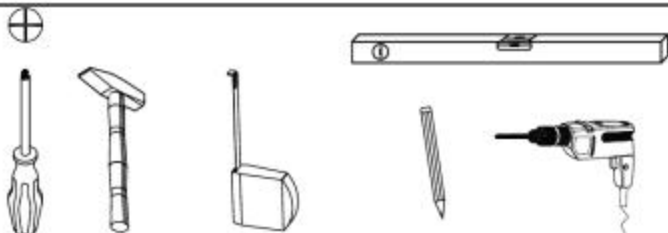
A

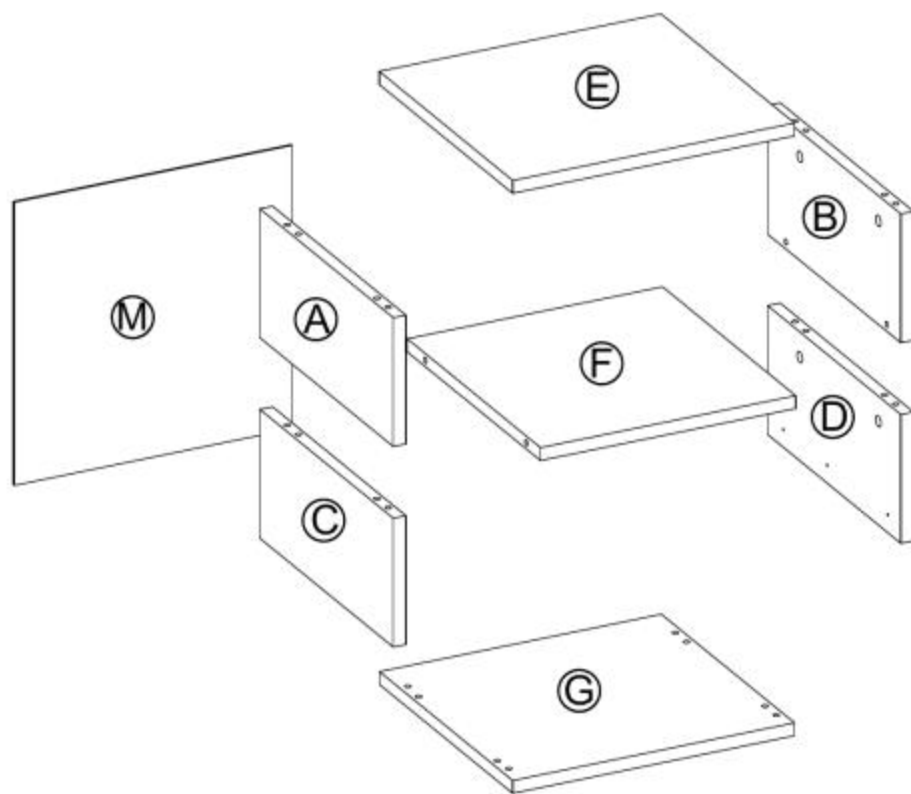


B

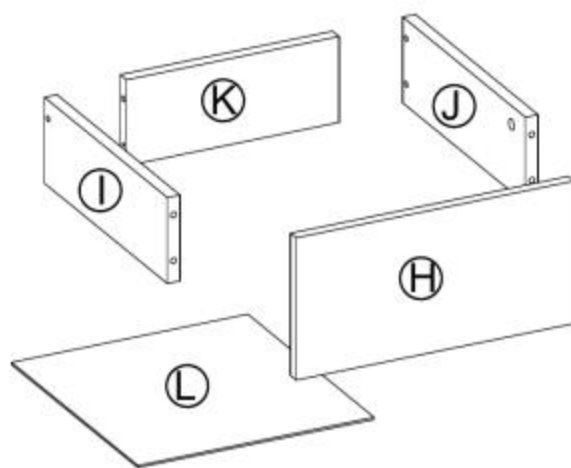













C

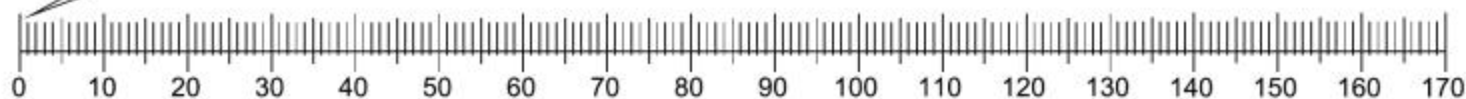
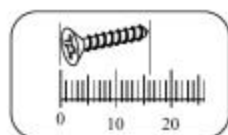
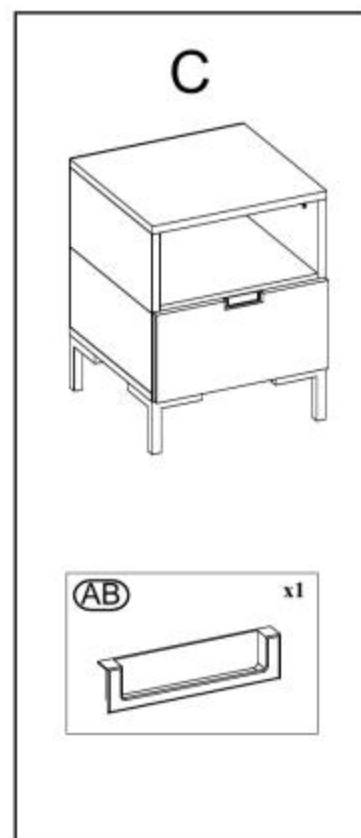
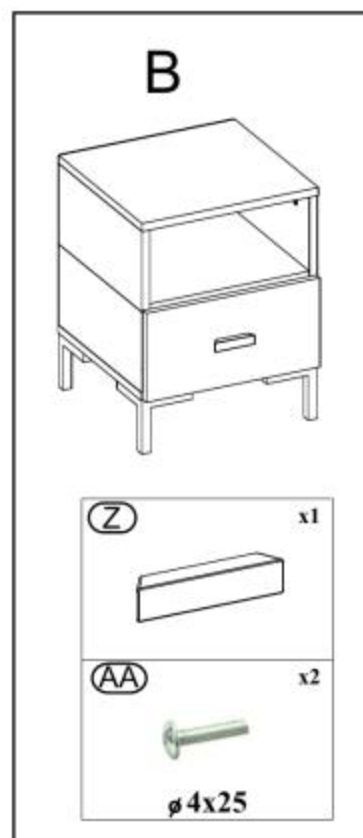
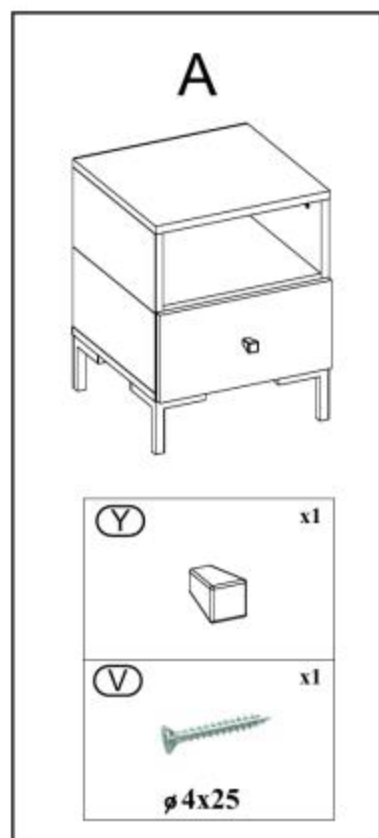


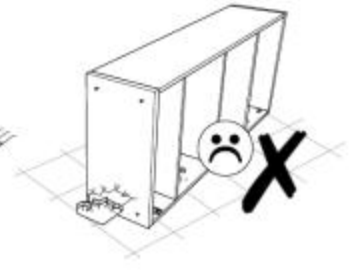
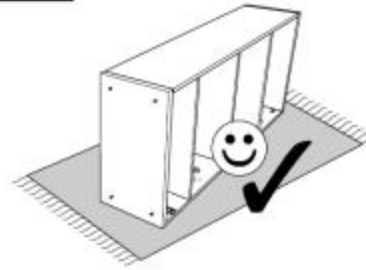
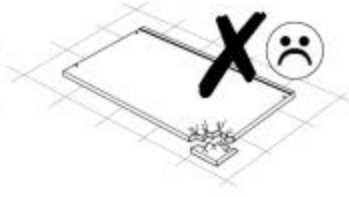
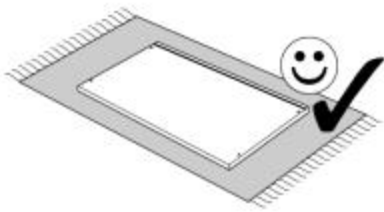


	<b>Kod</b>		<b>Szt.</b>
Ⓐ	SI-01	182x380x18	1
Ⓑ	SI-02	182x380x18	1
Ⓒ	SI-03	182x380x18	1
Ⓓ	SI-04	182x380x18	1
Ⓔ	SI-05	402x381x18	1
Ⓕ	SI-06	364x380x18	1
Ⓖ	SI-07	402x380x18	1
Ⓗ	SI-08	396x199x18	1
Ⓘ	SI-09	350x120x18	1
Ⓙ	SI-10	350x120x18	1
Ⓚ	SI-11	303x120x18	1
Ⓛ	SI-12	337x360x3	1
Ⓜ	SI-13	396x396x3	1

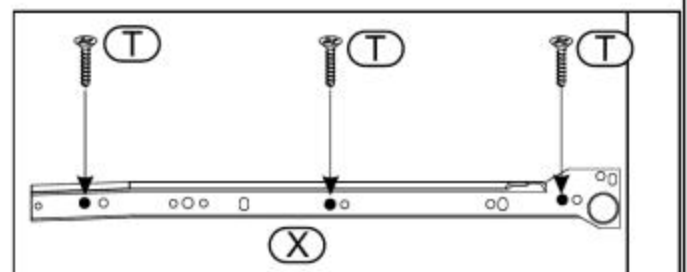
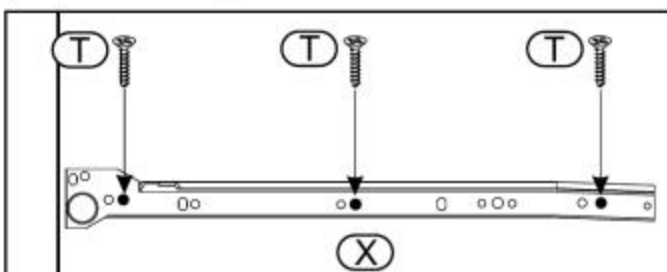
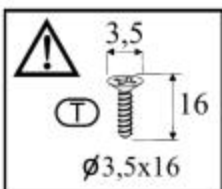
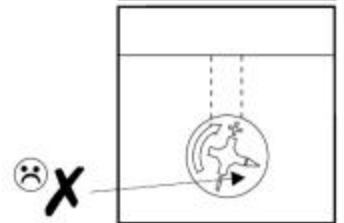
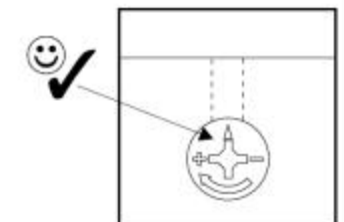
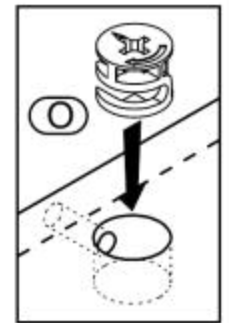
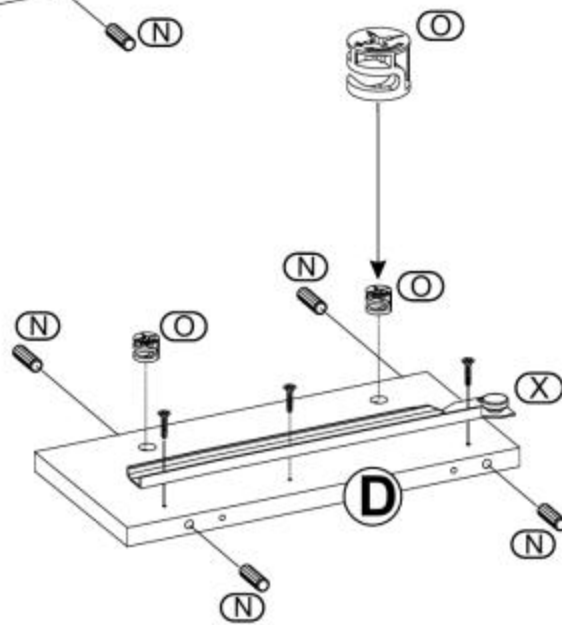
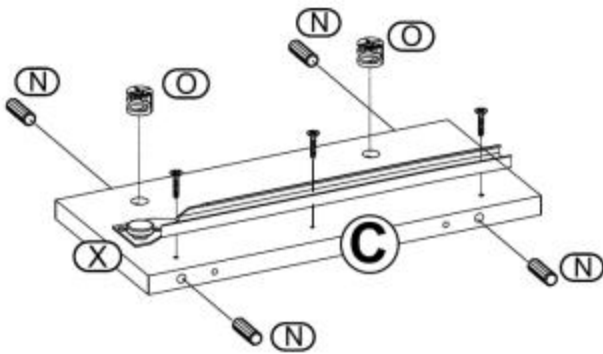
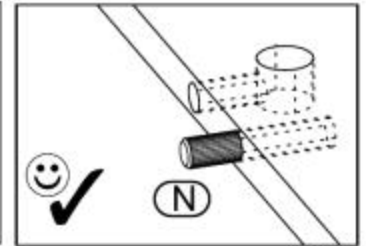
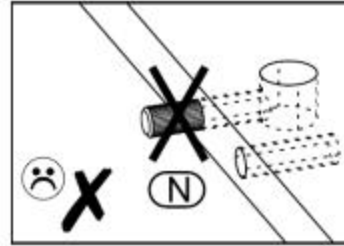
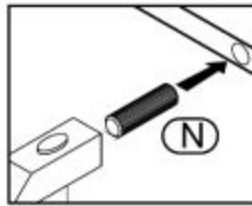


<p>(N) x20</p>  <p>ø8x30</p>	<p>(O) x10</p> 	<p>(P) x6</p>  <p>ø20</p>	<p>(Q) x10</p> 
<p>(R) x6</p>  <p>ø7x50</p>	<p>(S) x1</p> 	<p>(T) x12</p>  <p>ø3,5x16</p>	<p>(U) x19</p> 
<p>(V) x16</p>  <p>ø4x25</p>	<p>(W) x4</p> 	<p>(X) x1</p>  <p>L-350</p>	

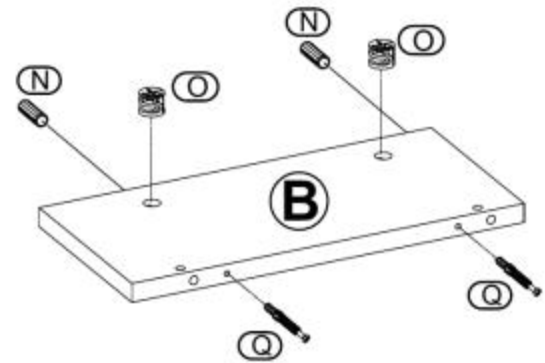
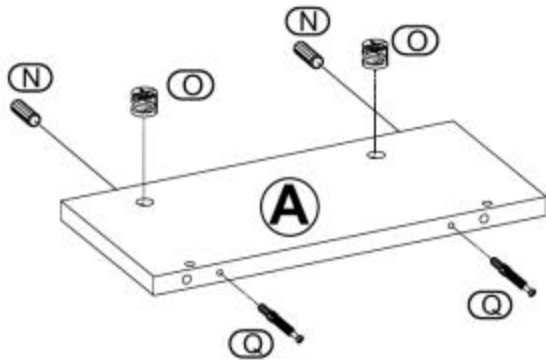
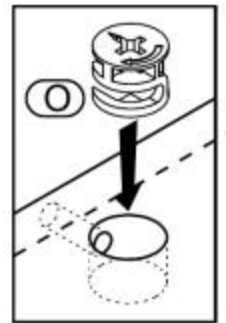
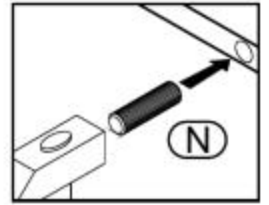
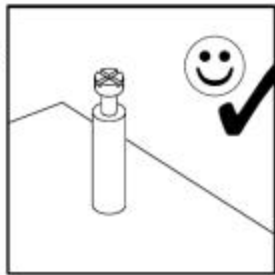
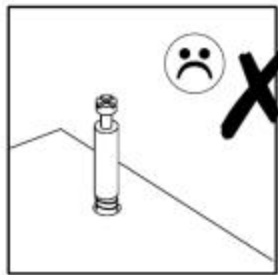




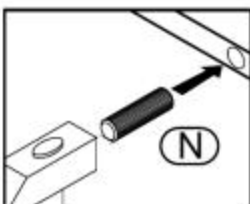
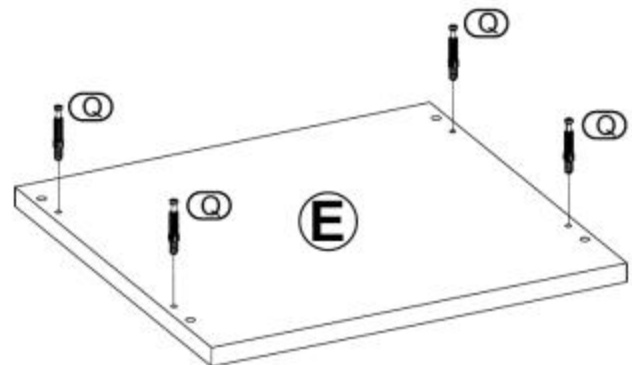
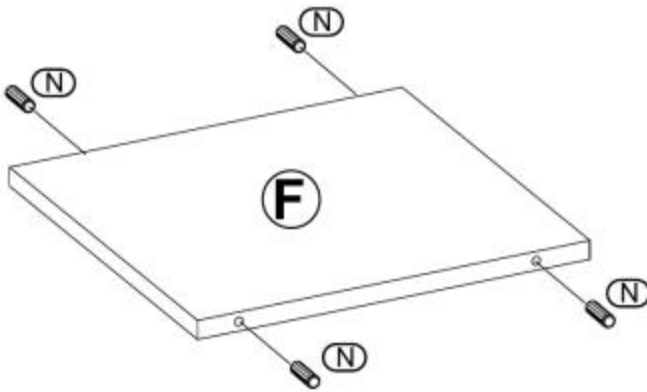
1



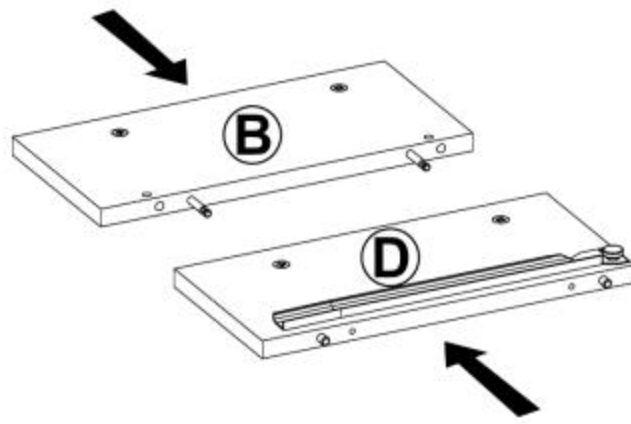
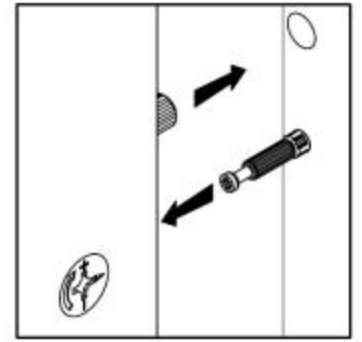
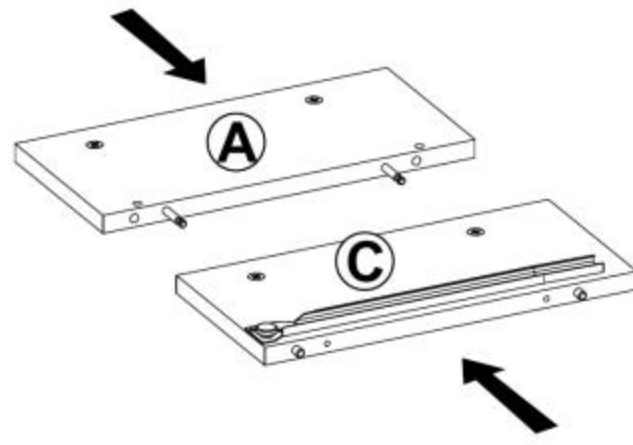
2



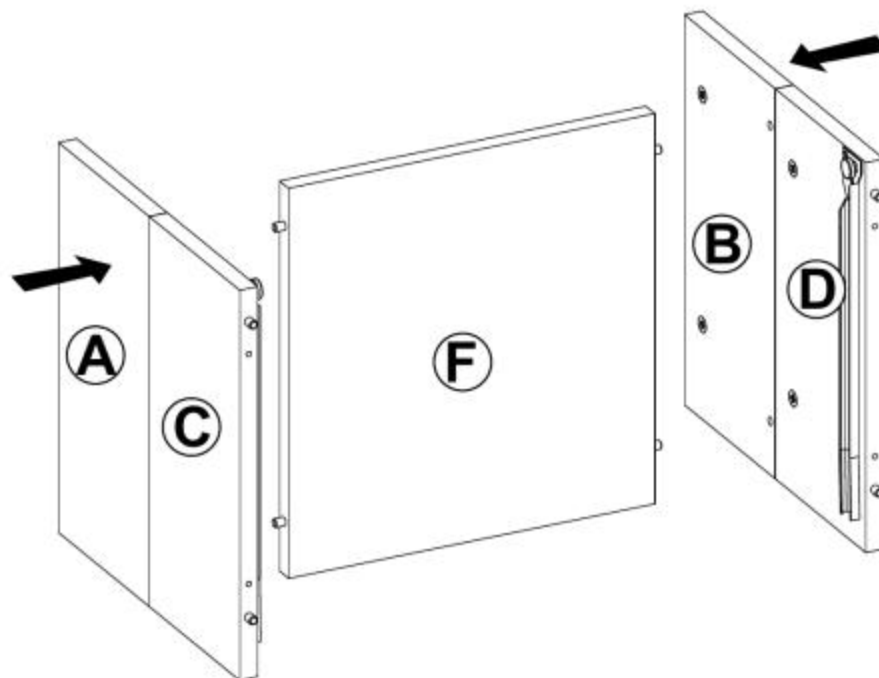
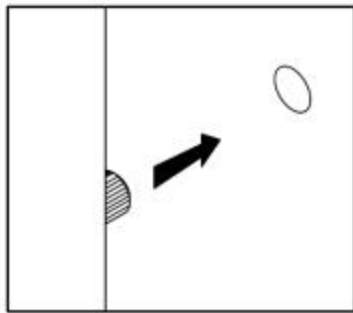
3



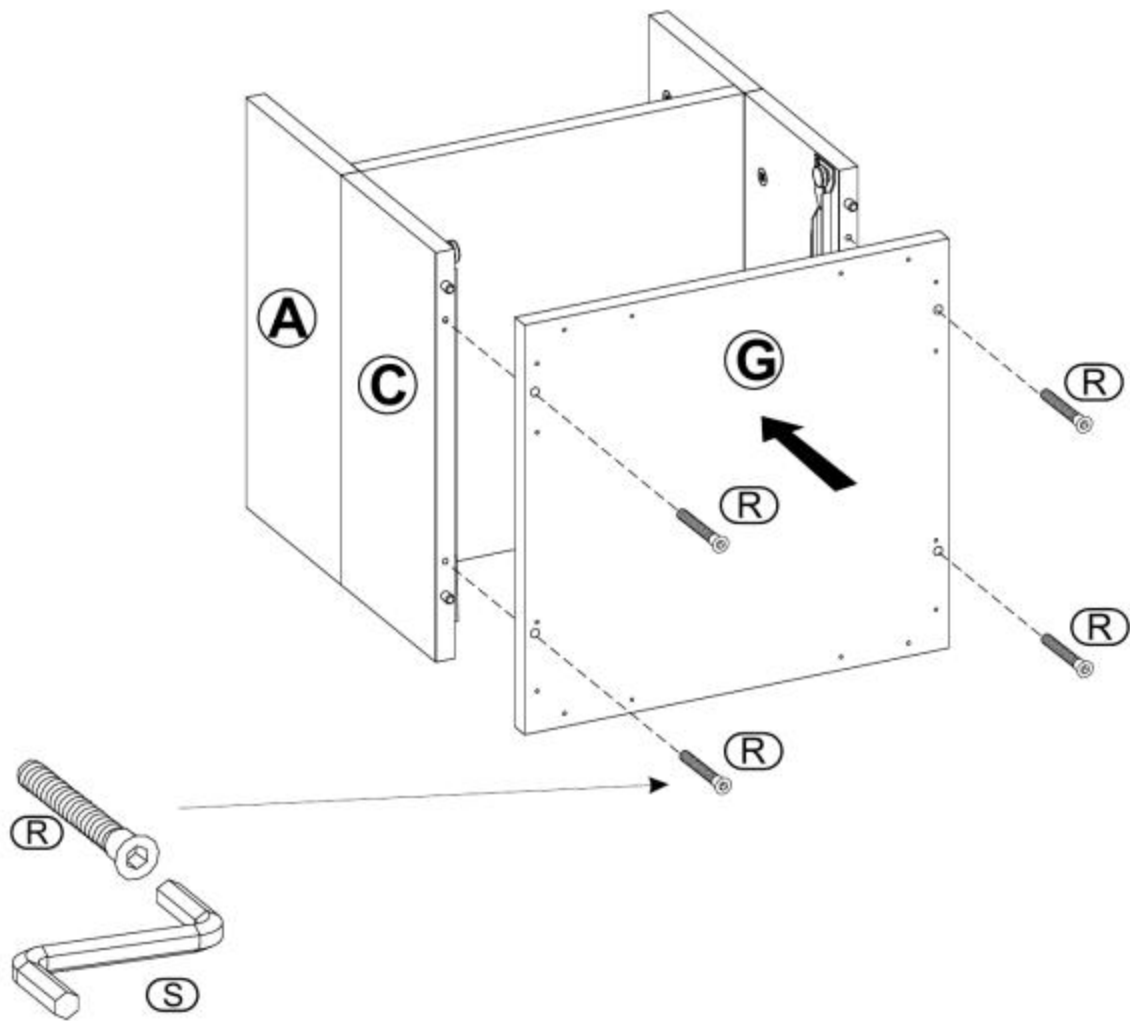
4



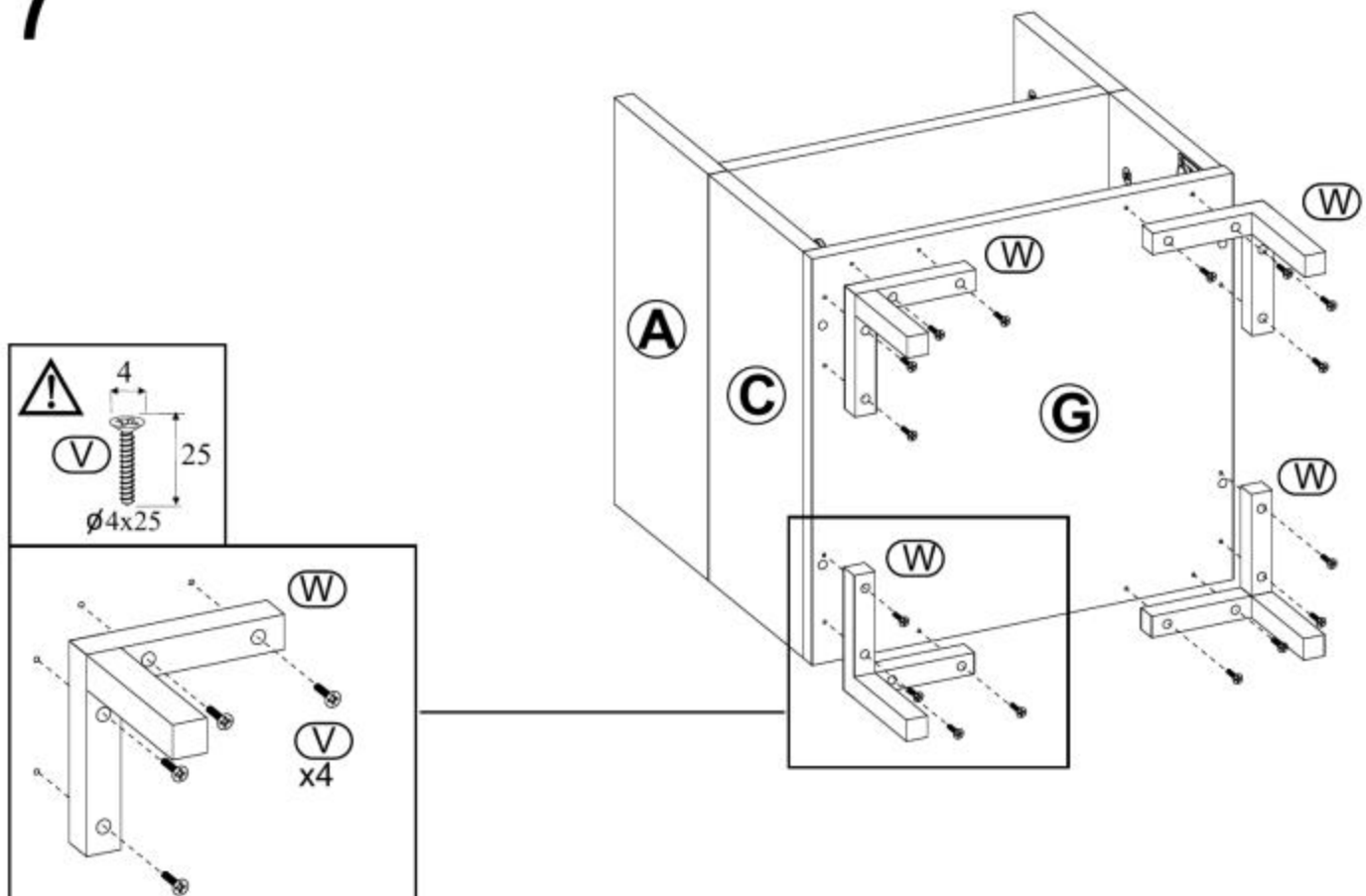
5



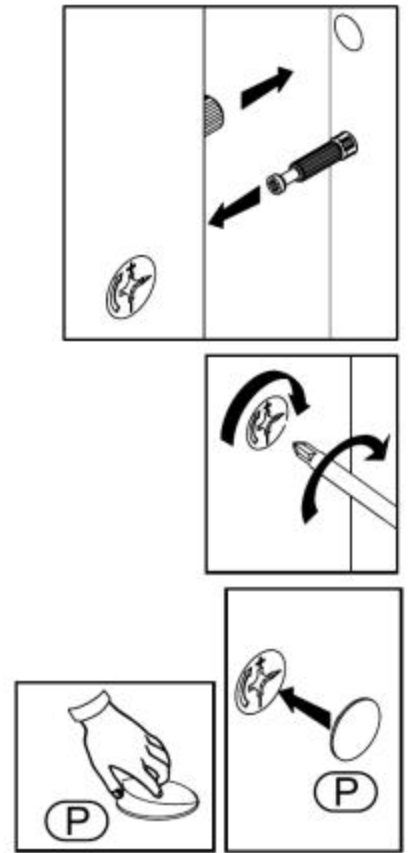
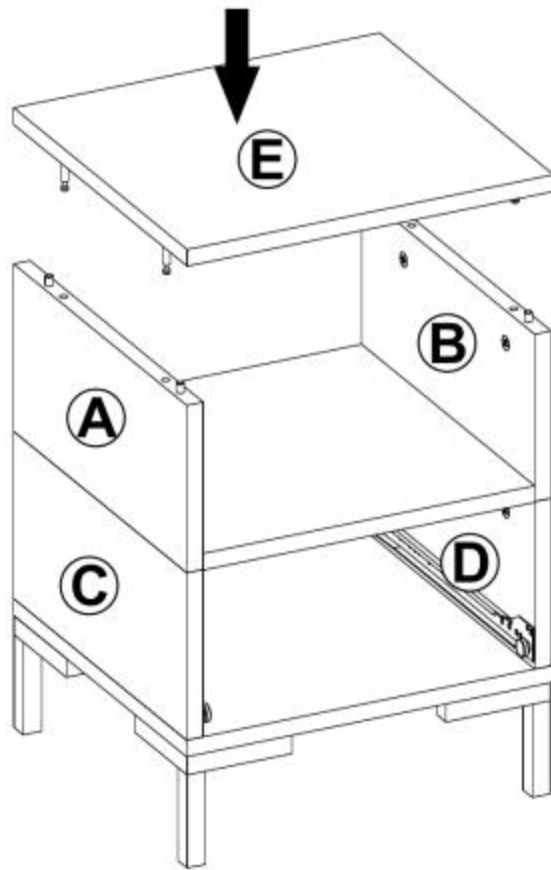
# 6



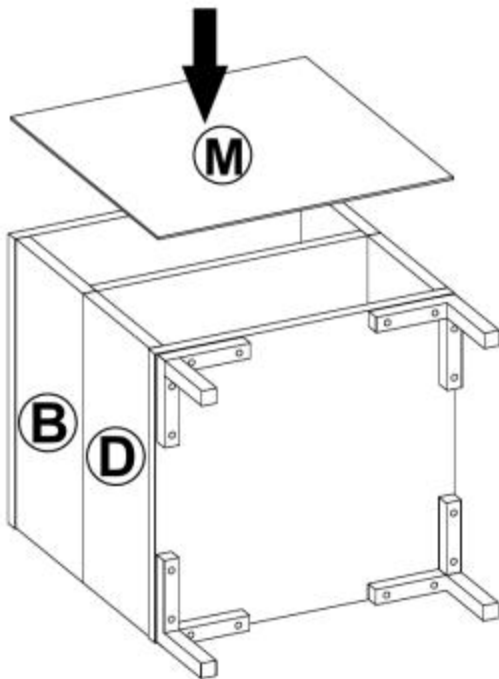
# 7



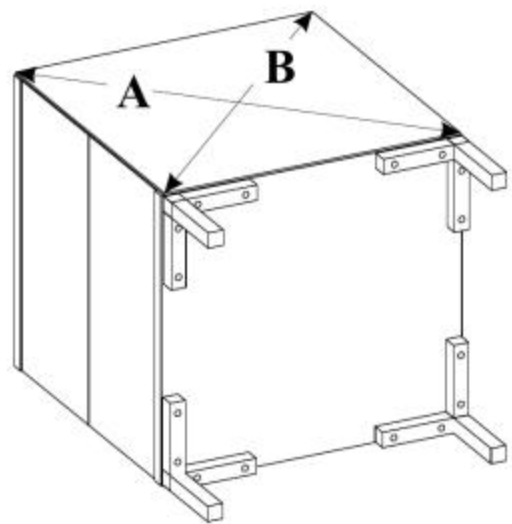
8



9

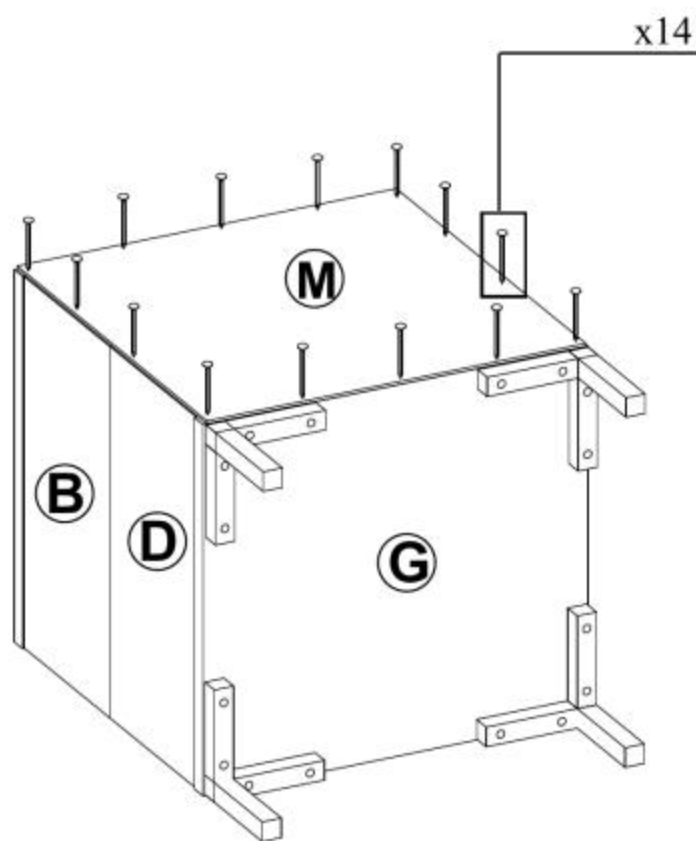
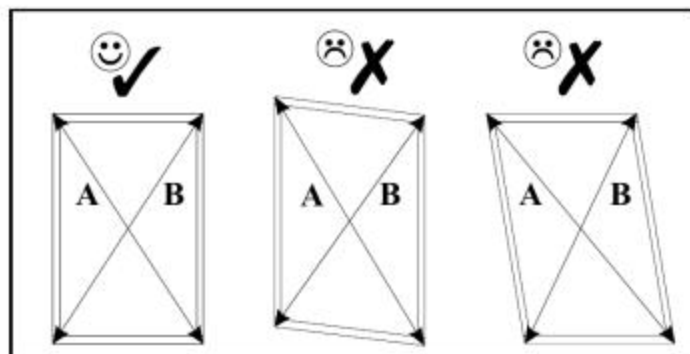


  
 $A=B$

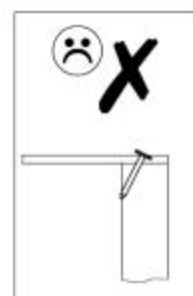
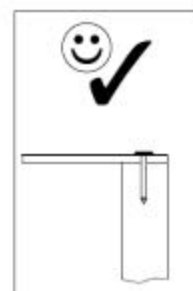
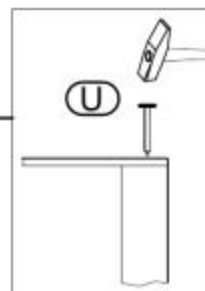




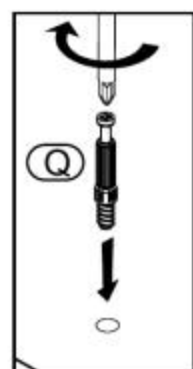
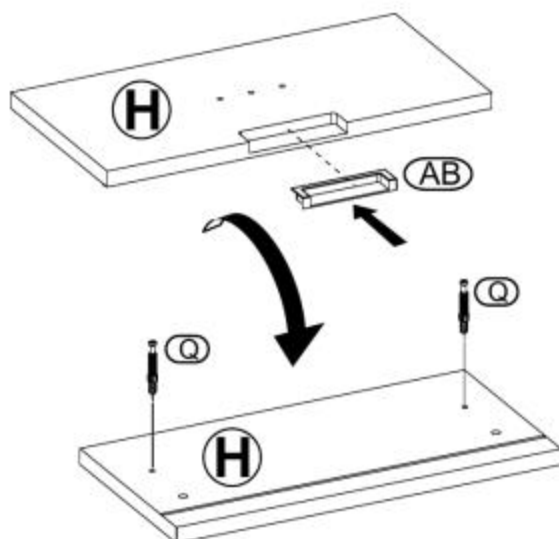
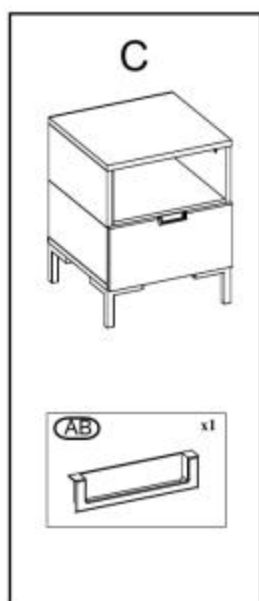
# 10



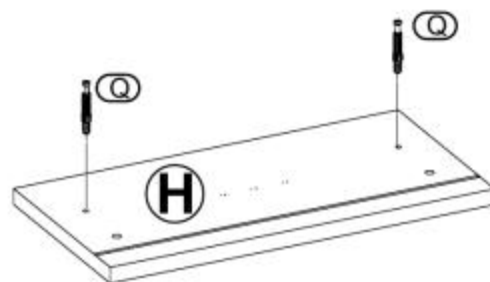
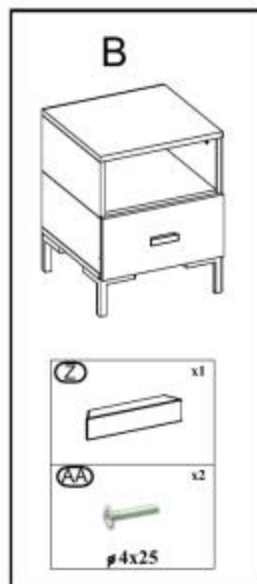
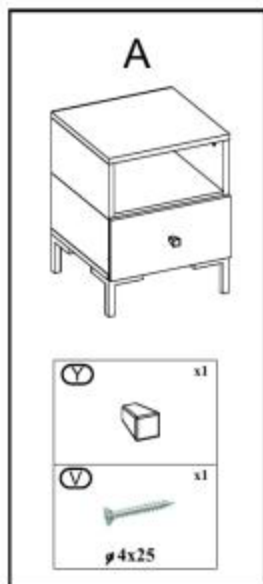
x14



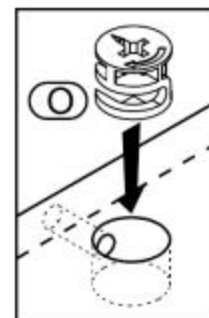
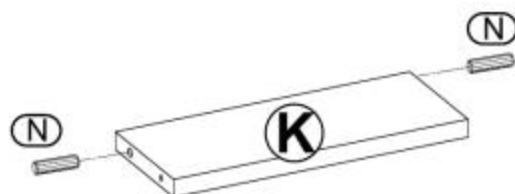
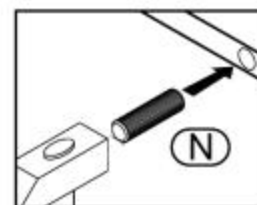
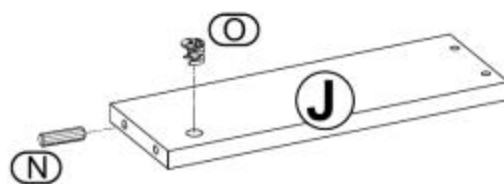
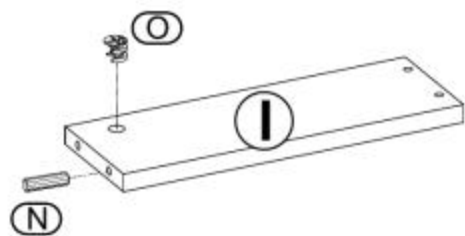
# 11



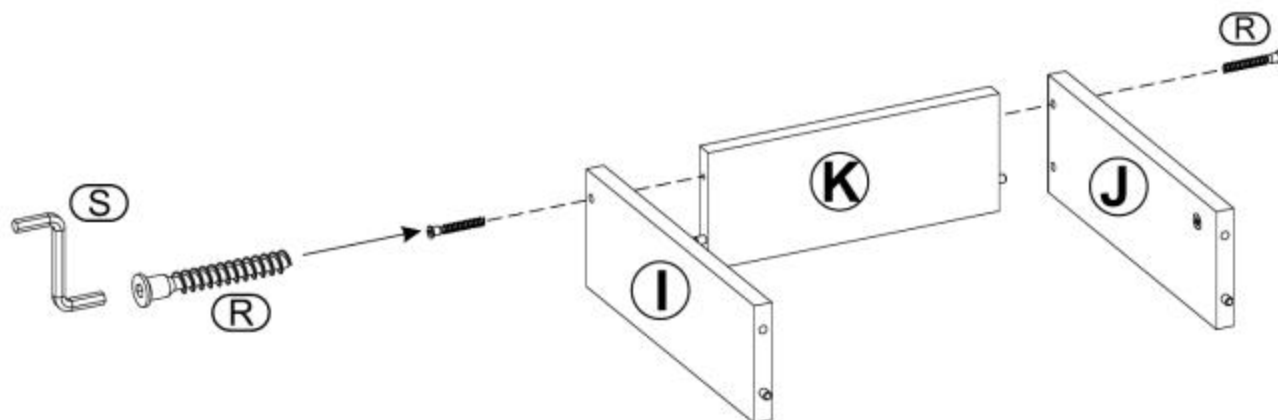
# 12



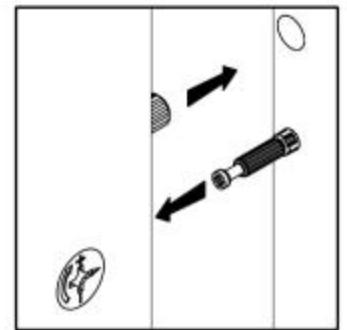
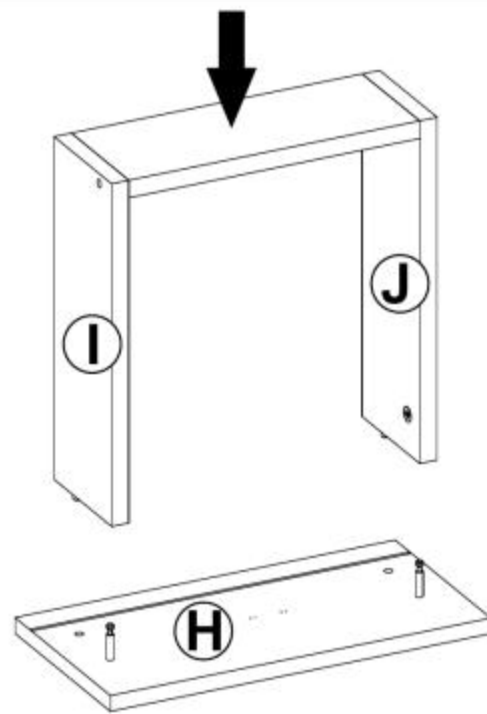
# 13



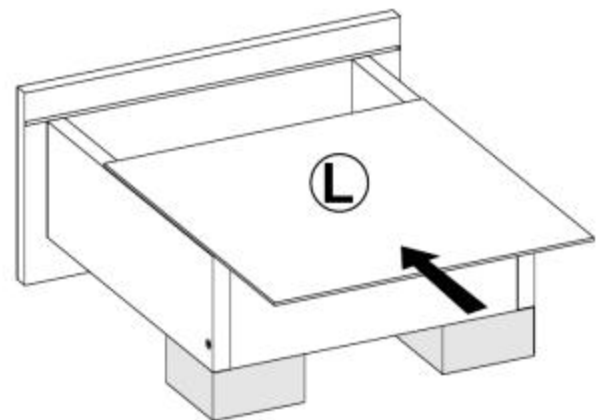
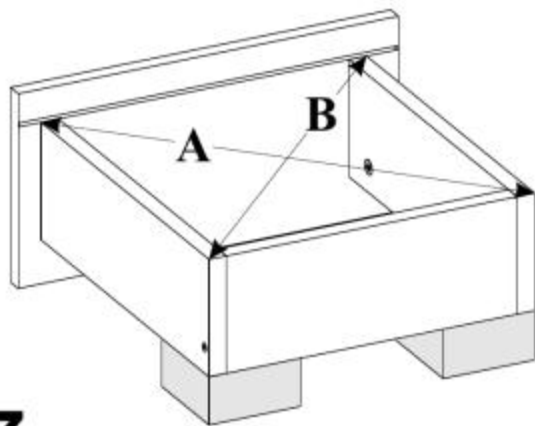
# 14



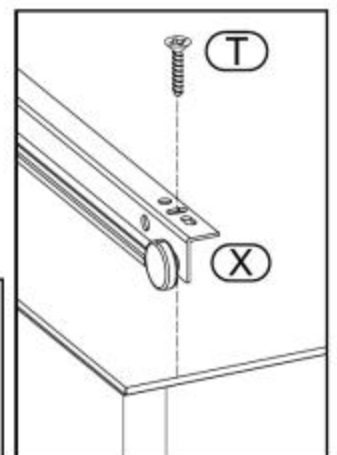
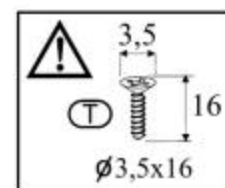
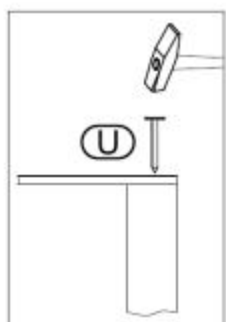
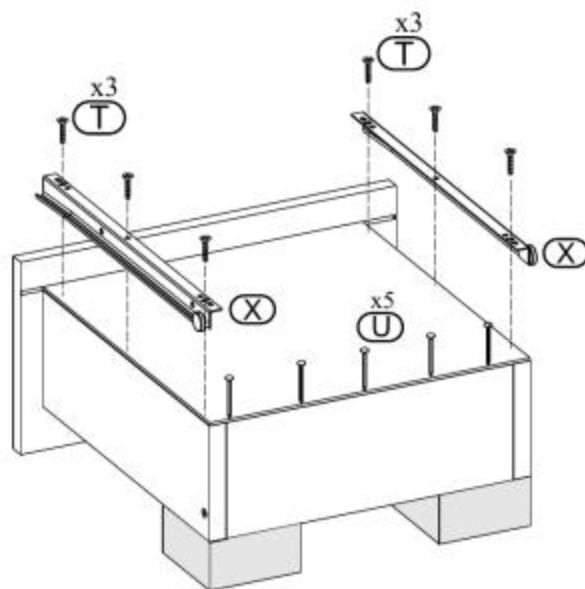
# 15



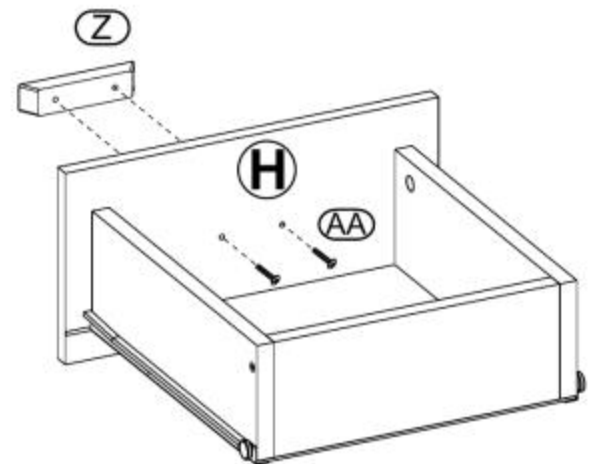
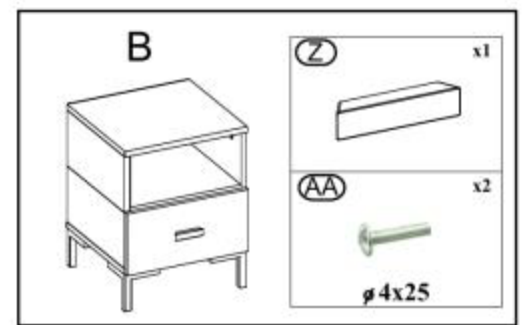
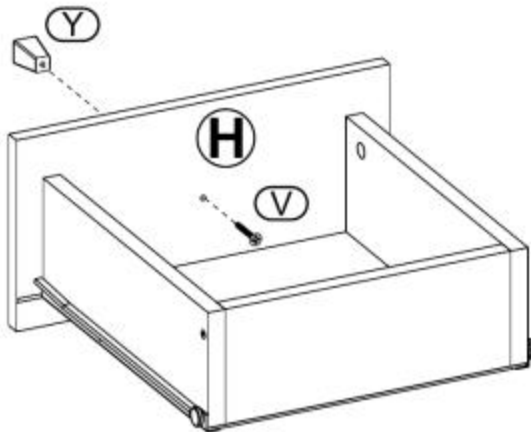
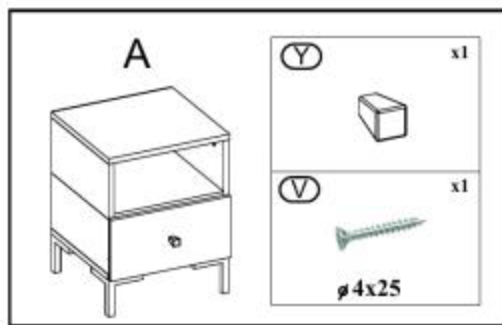
# 16



# 17



# 18



# 19

