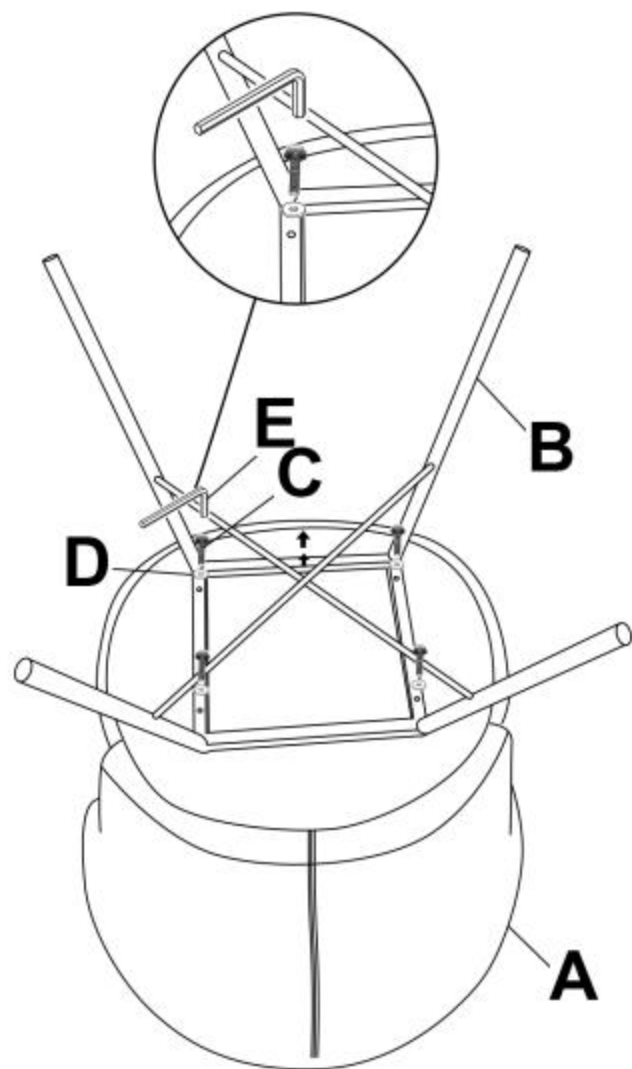
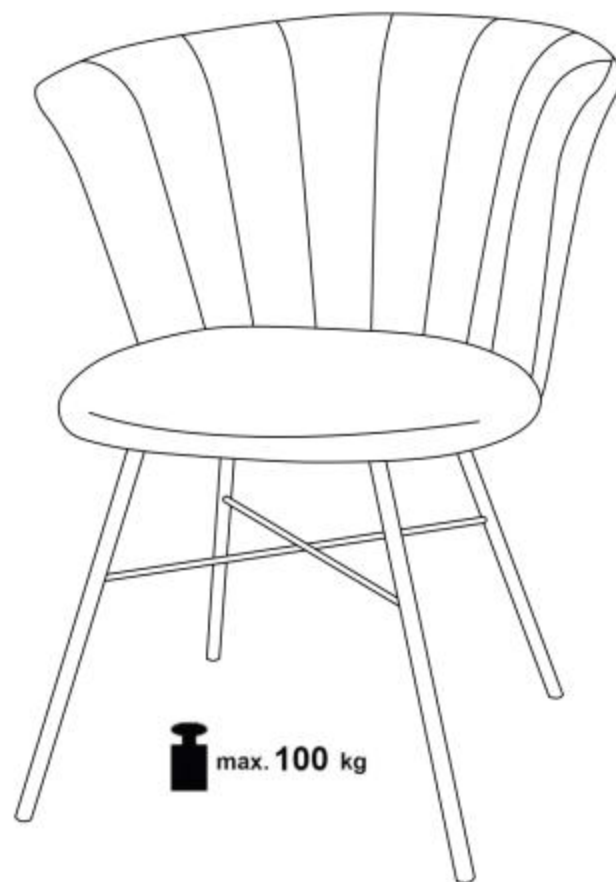


1



2



| | | |
|---|----------------|---|
| A | | 1 |
| B | | 1 |
| C | M6X30MM | 4 |
| D | 6X16X1.5MM | 4 |
| E | M5 | 1 |