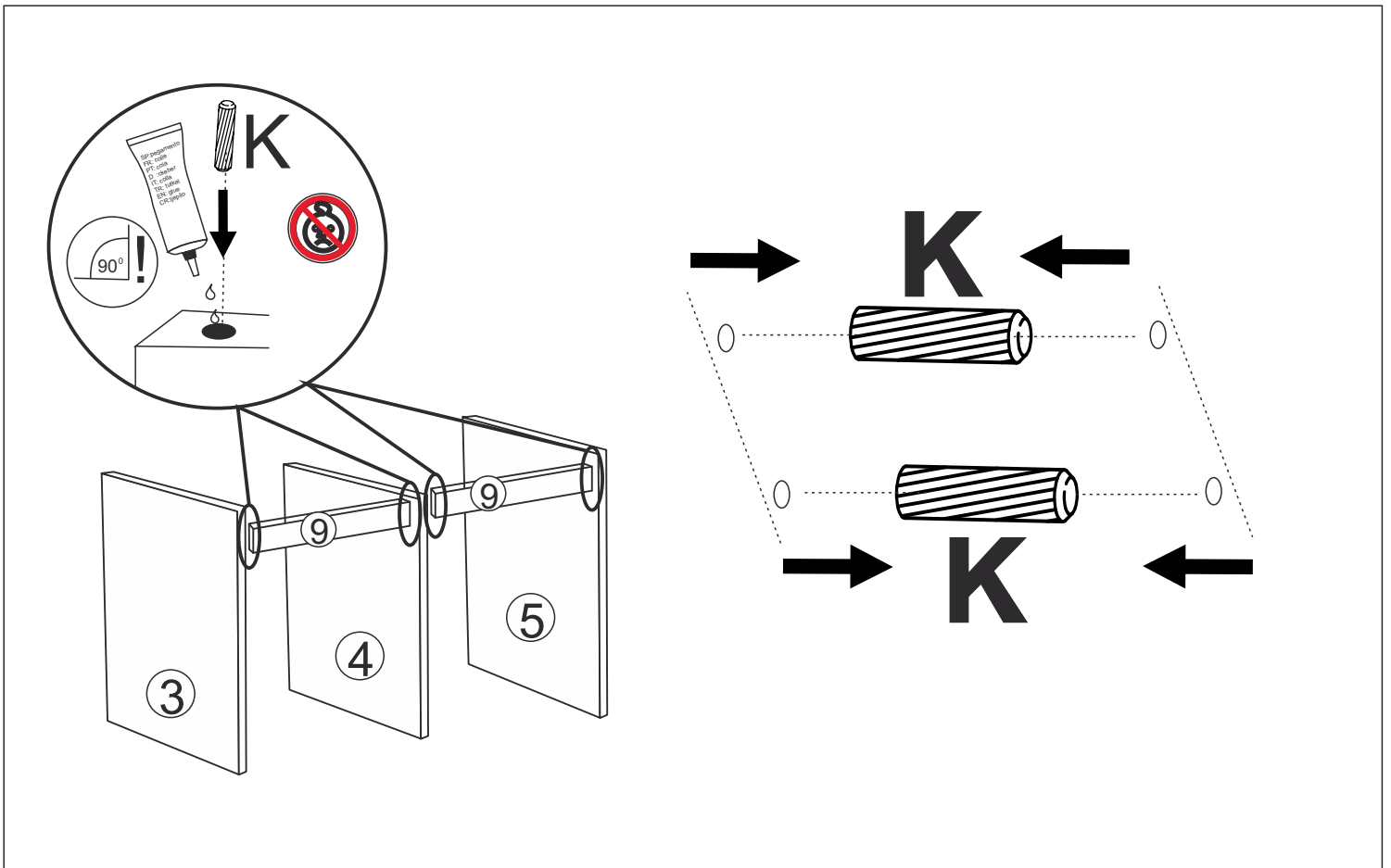
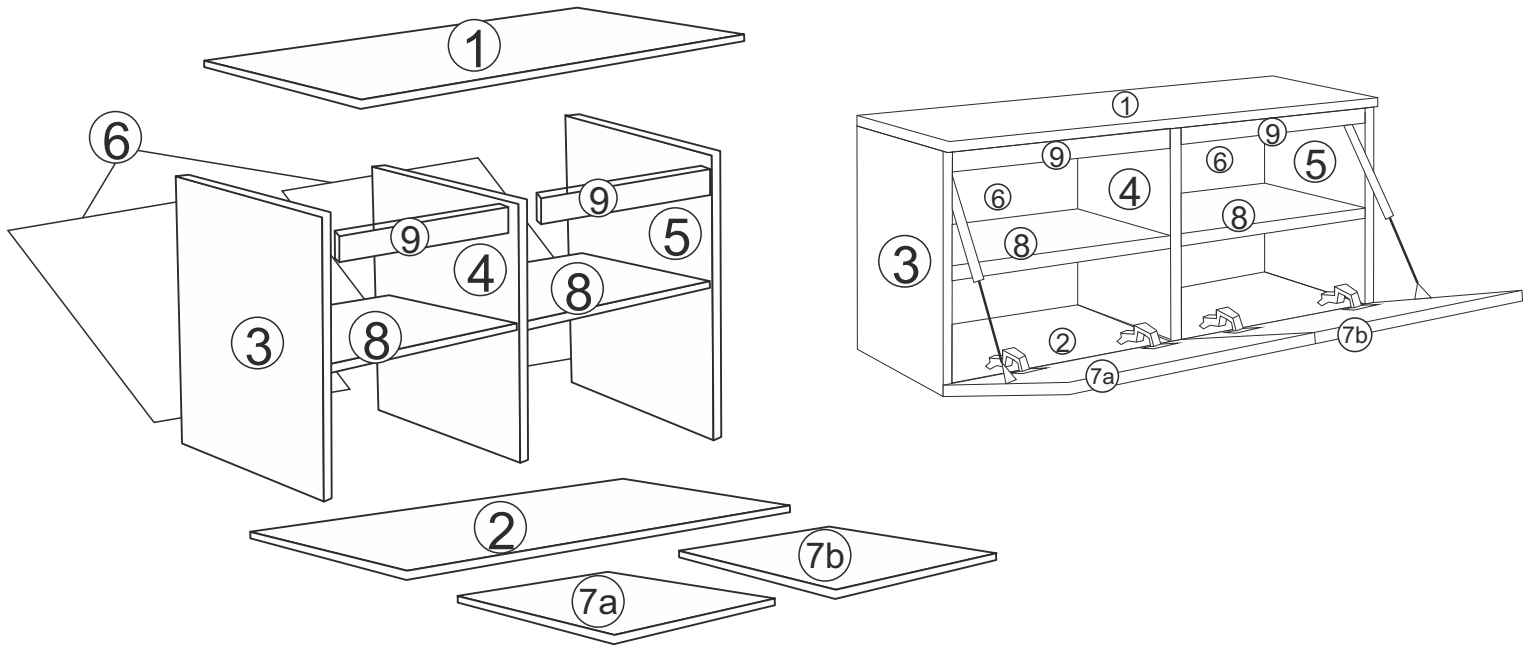
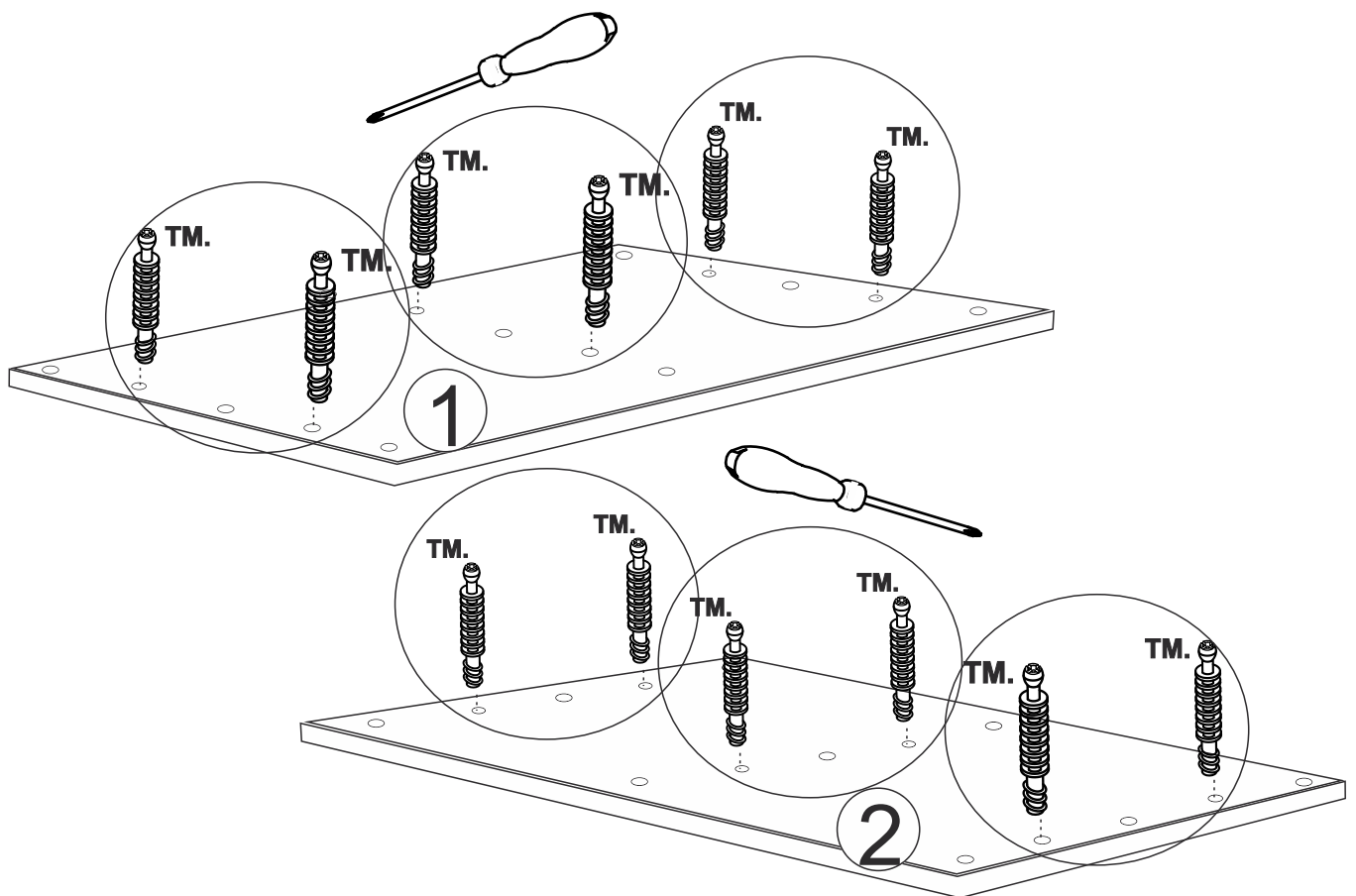
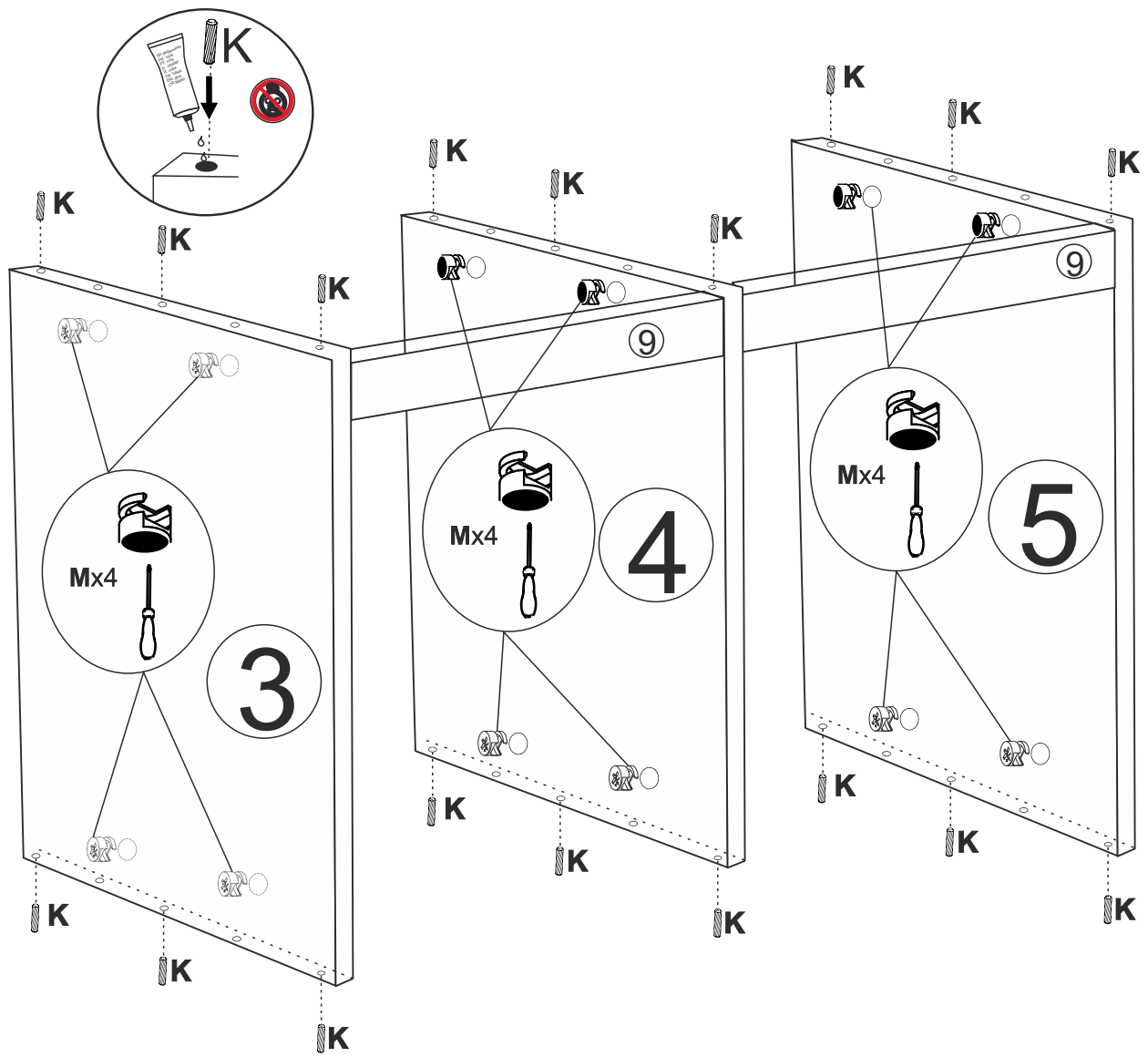
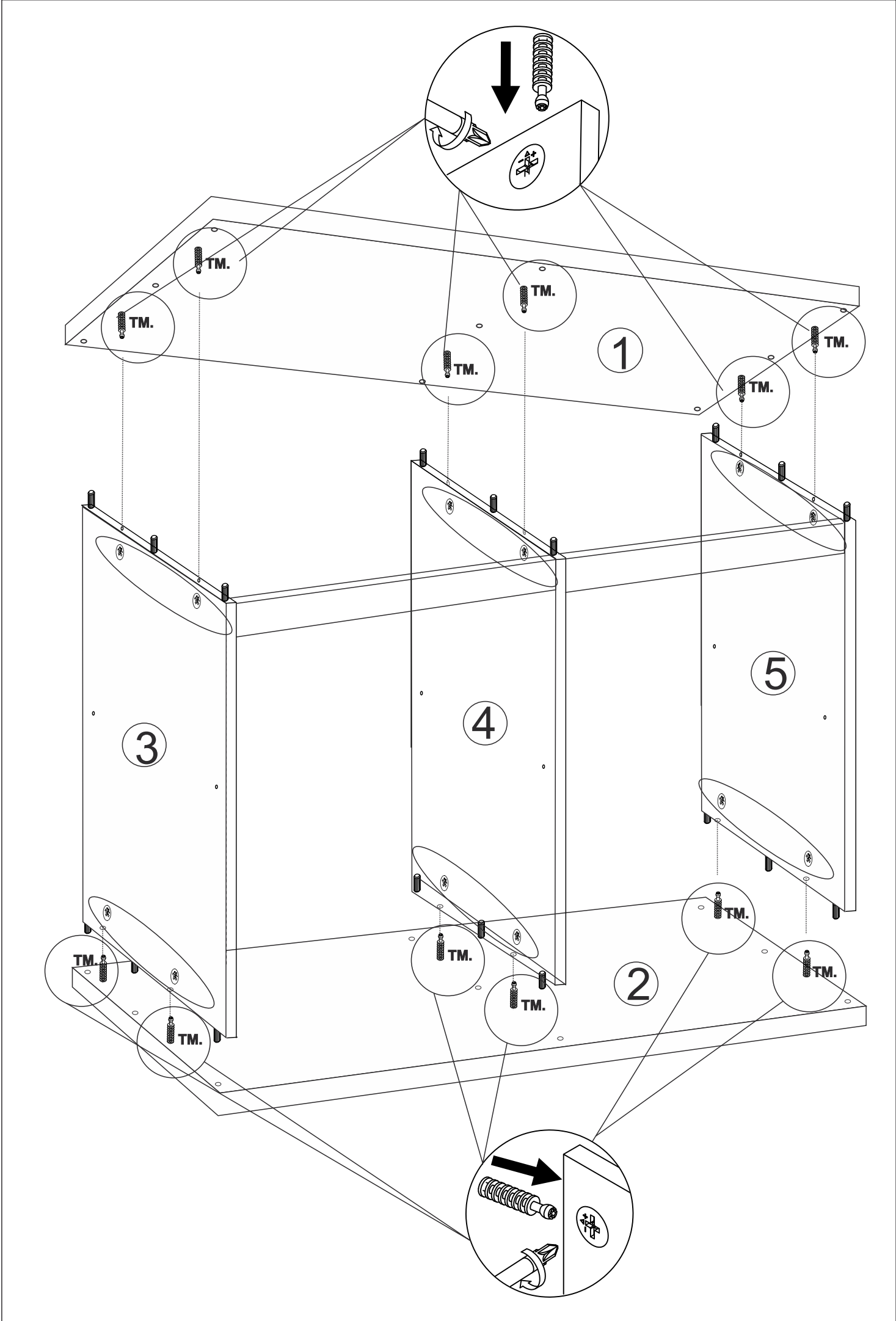
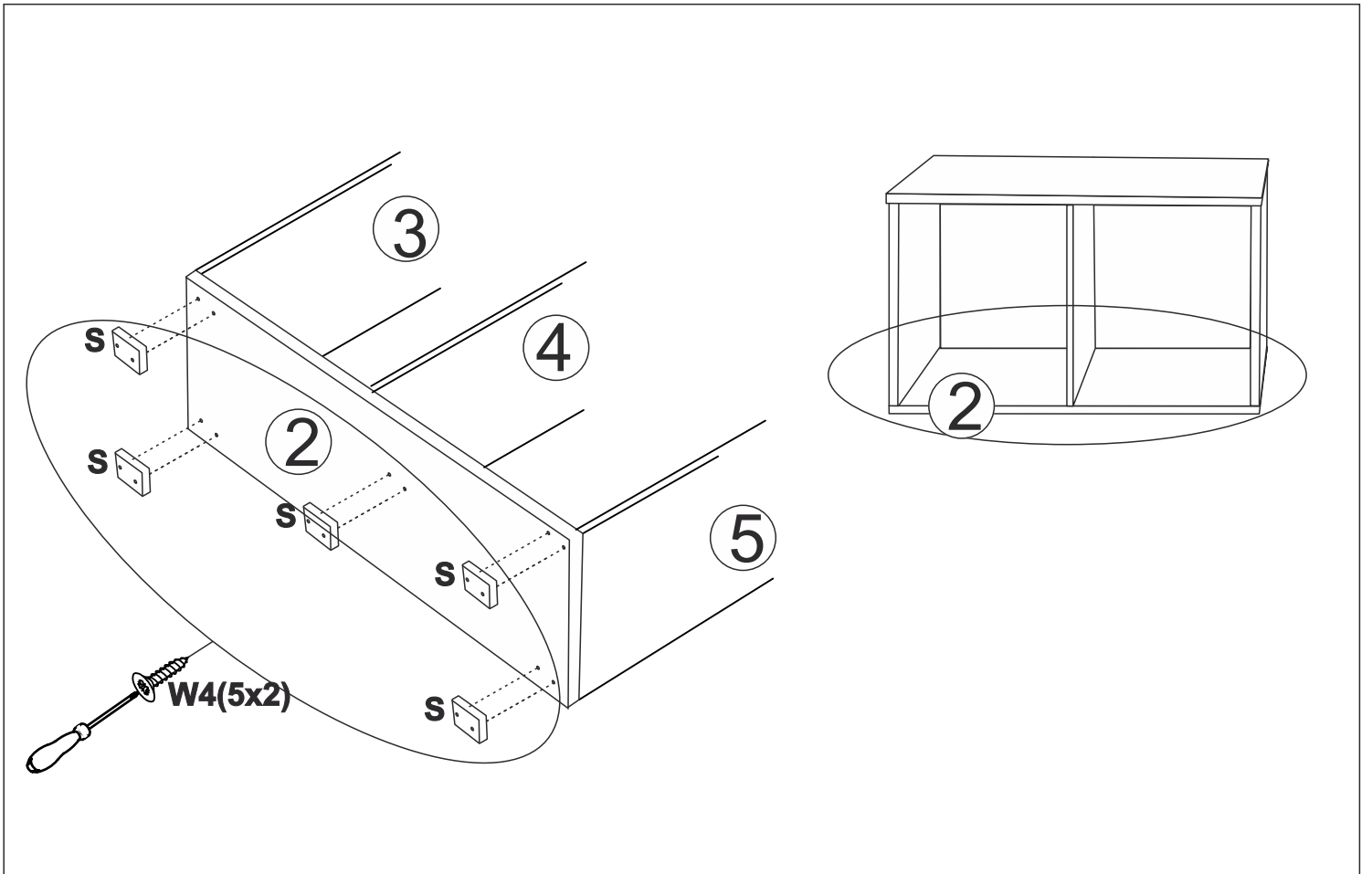
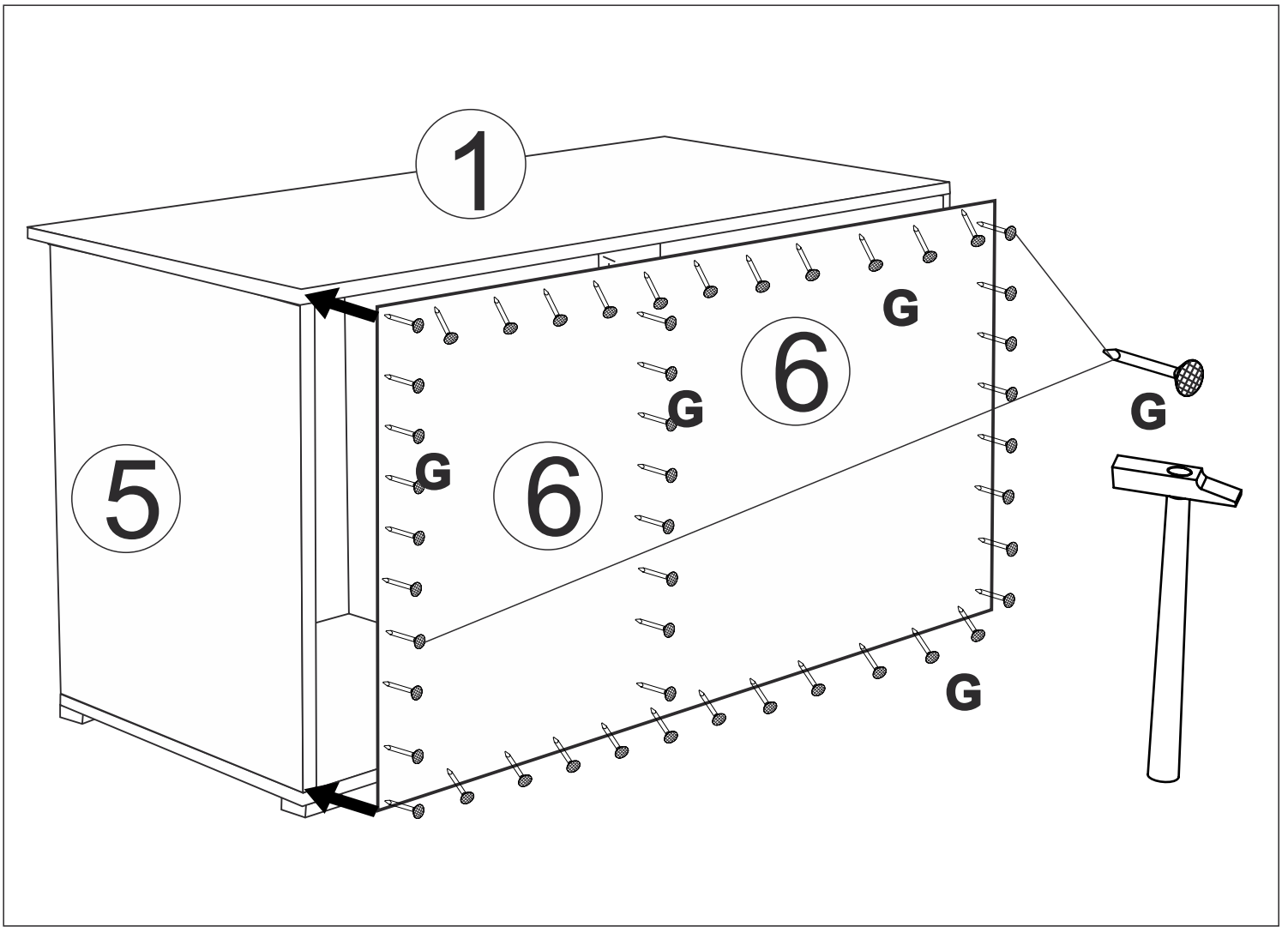


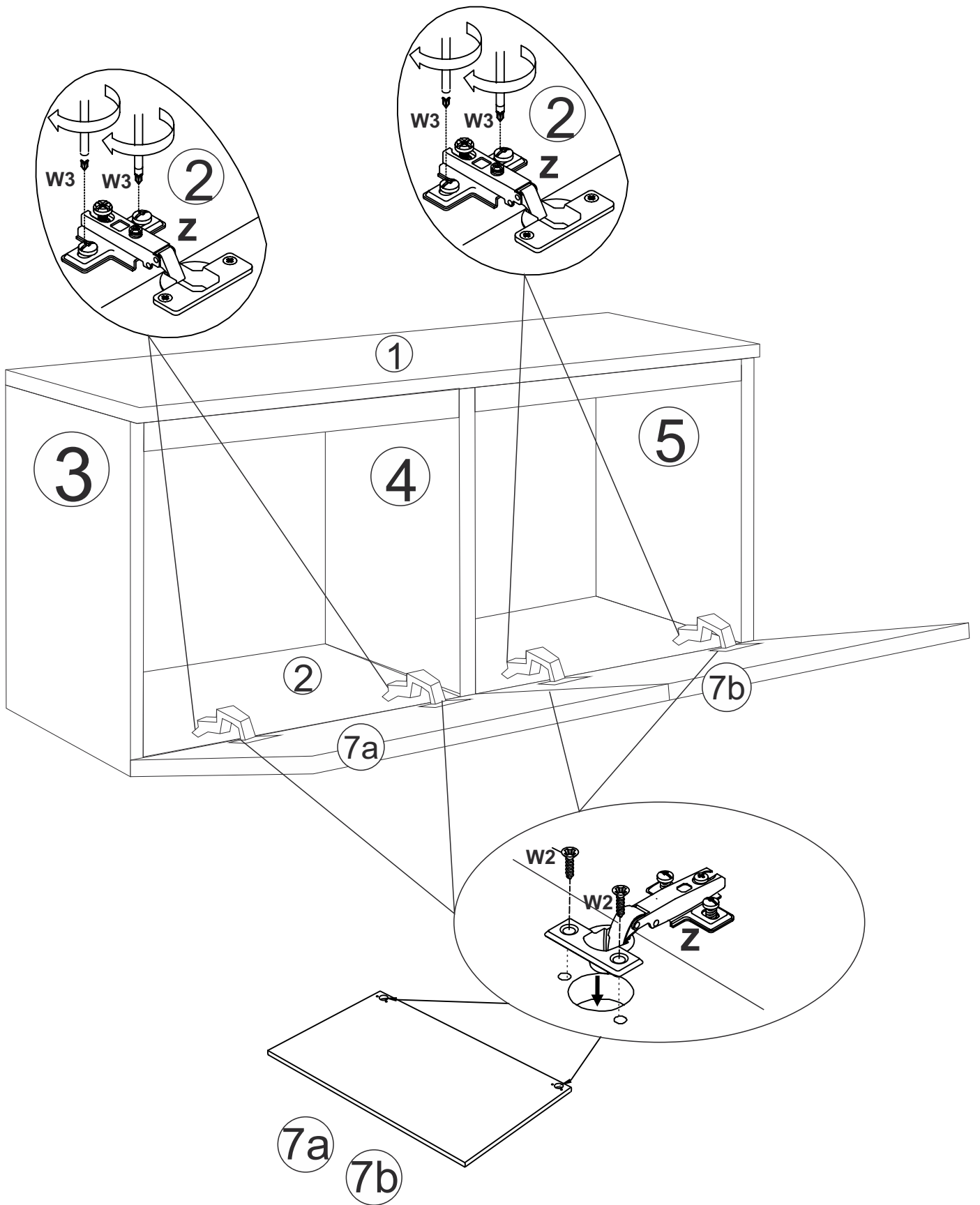
			Kx26szt 	TMx12 	Mx12 	G
W2 16x3,5mm 	W3 16mmx6 	W4 25mmx3,5 	S 	C 	x18	x8

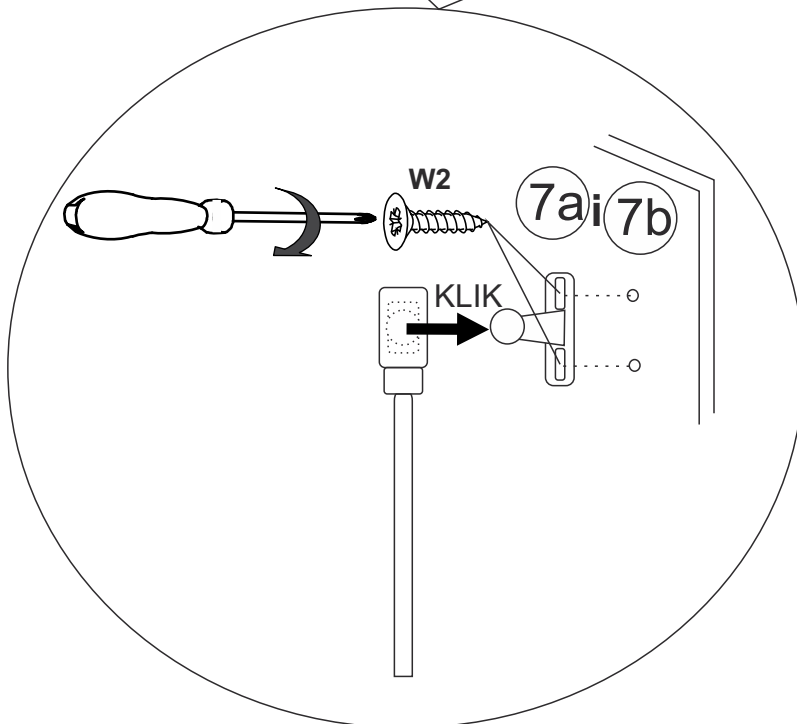
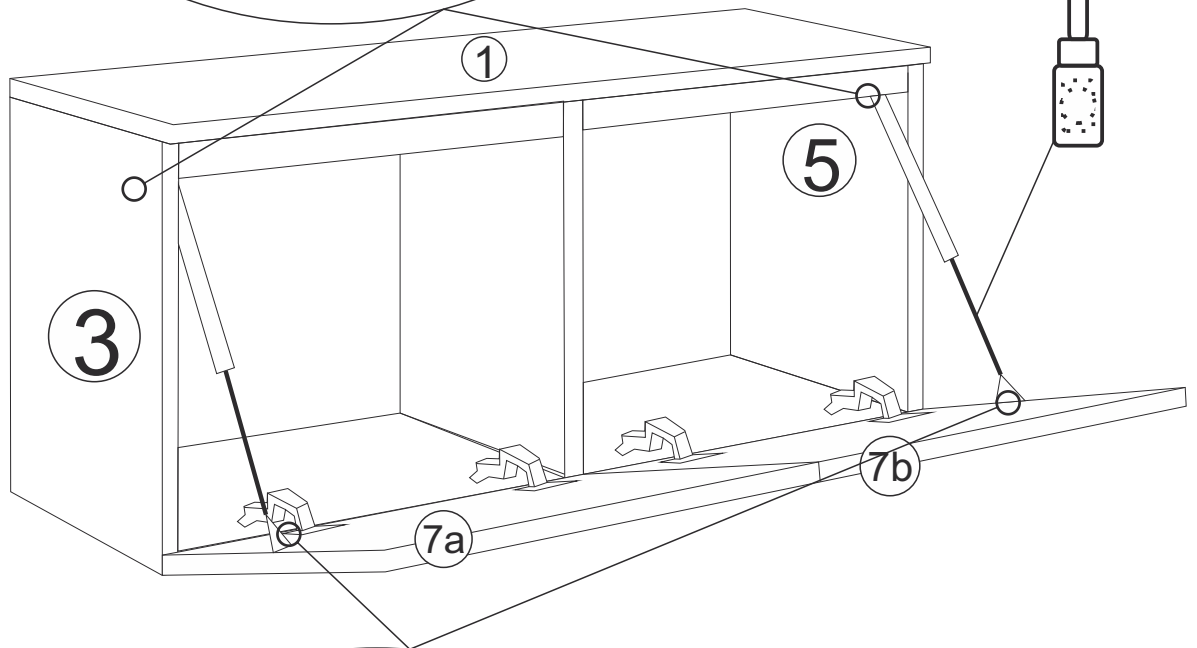
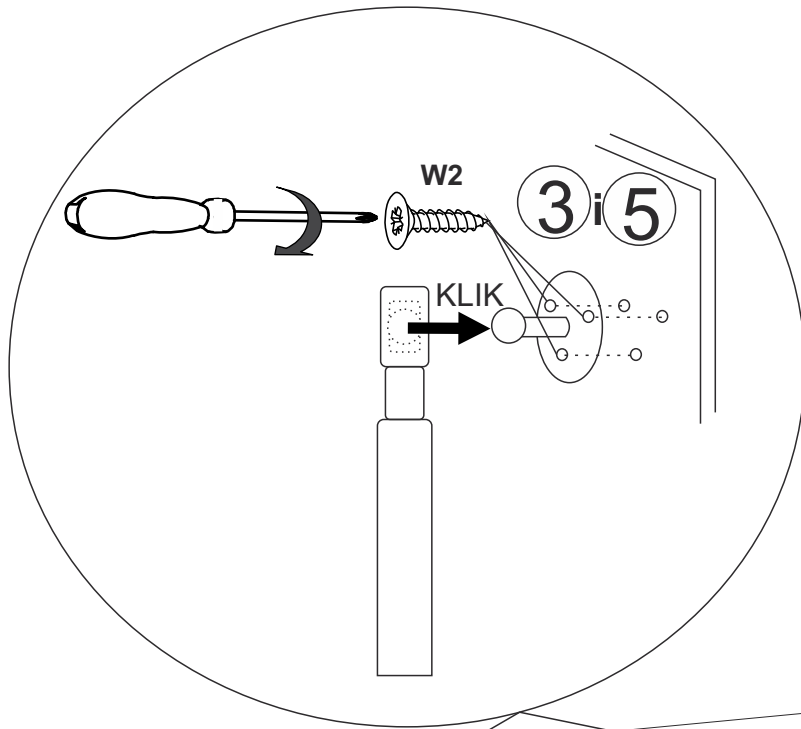


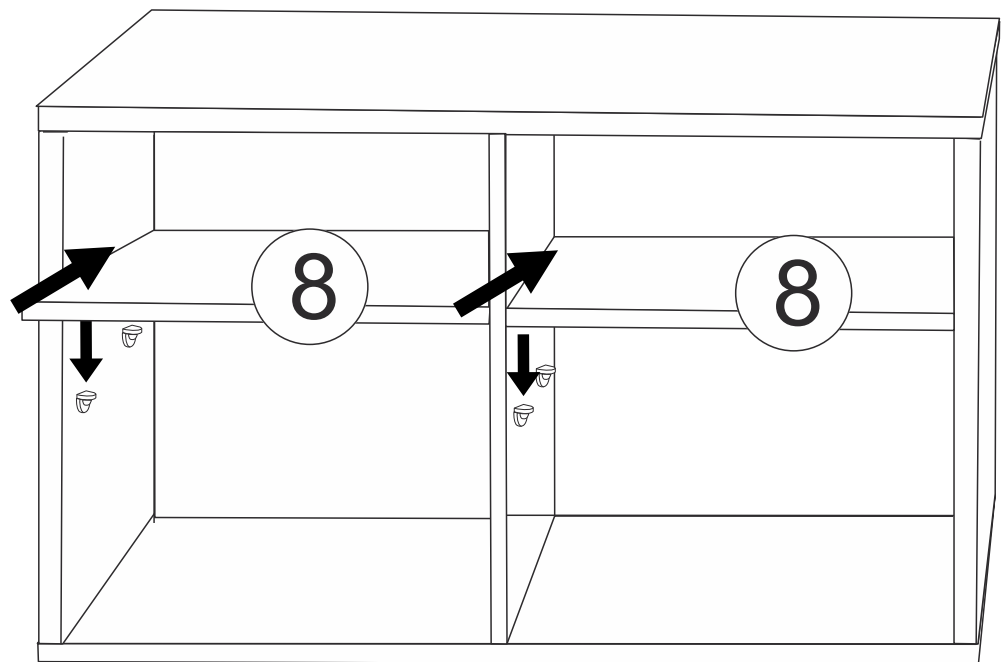
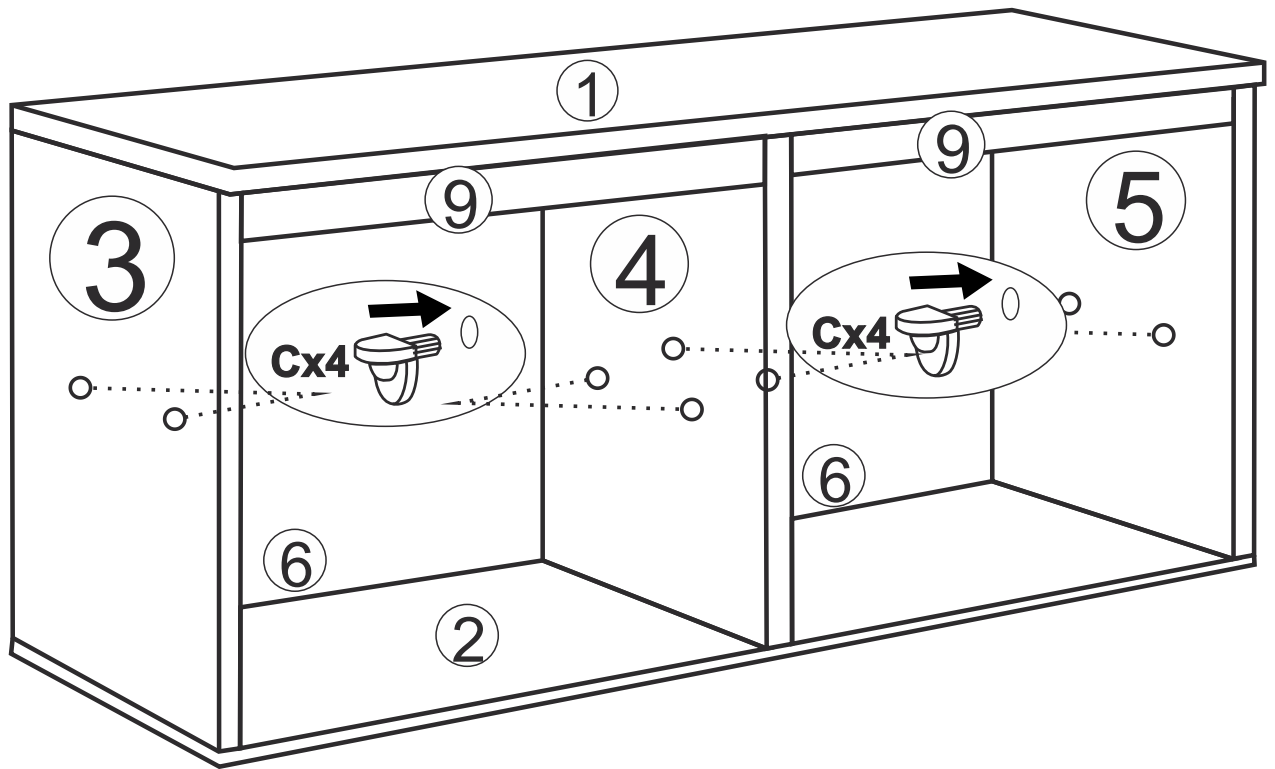









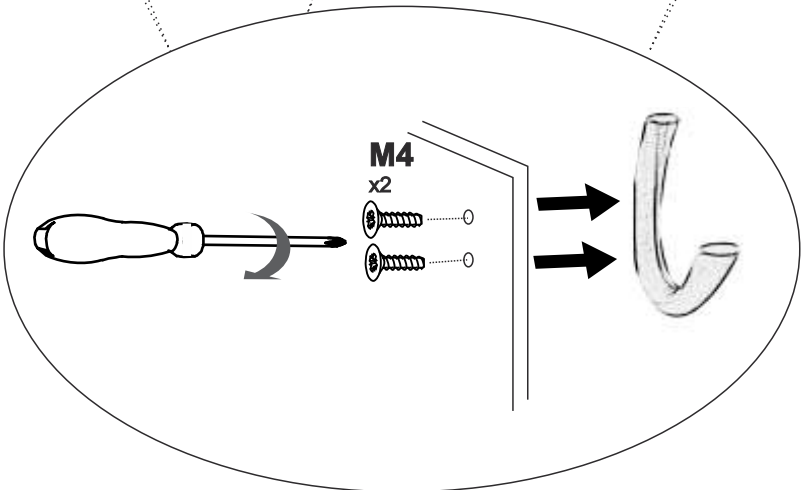
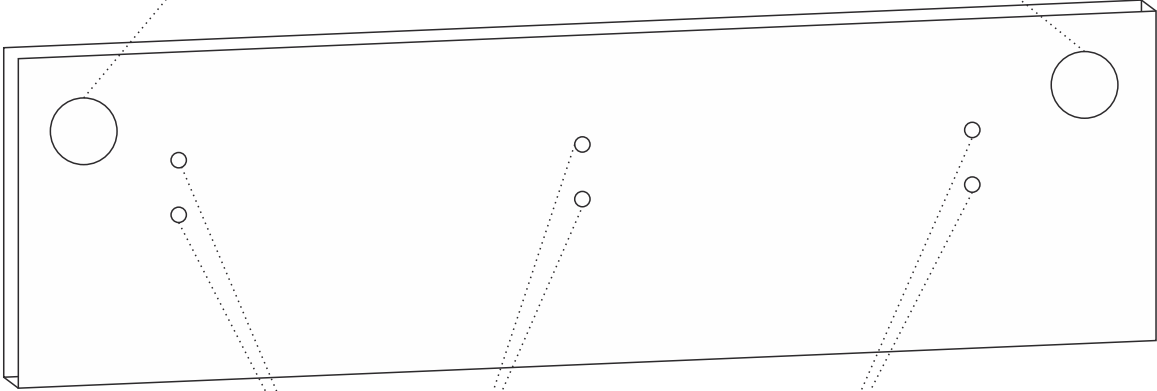
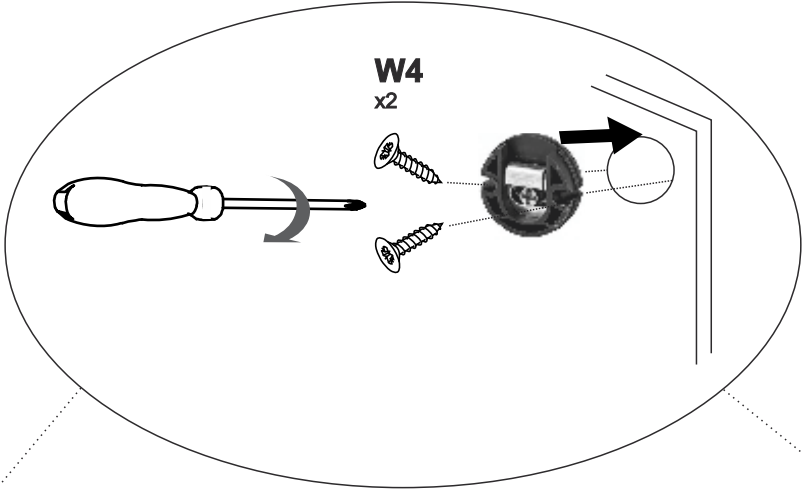
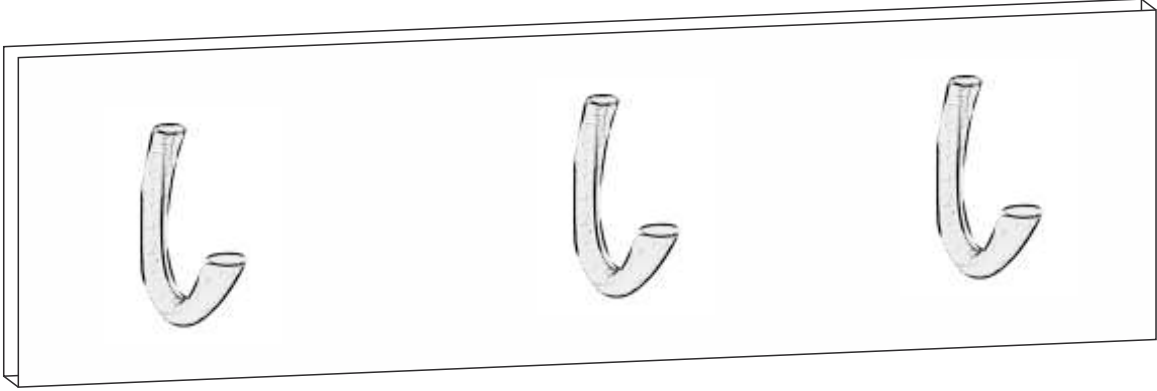


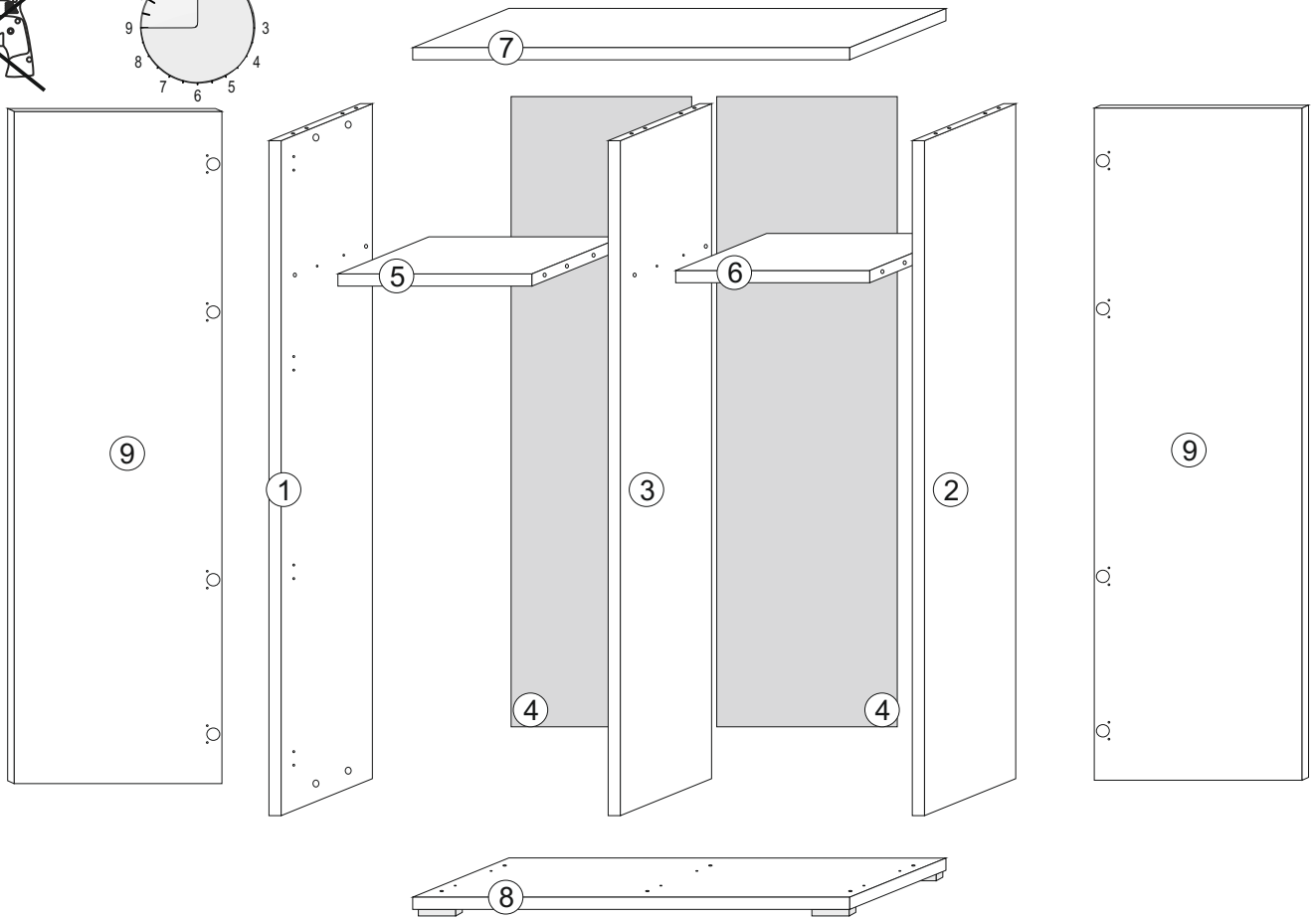
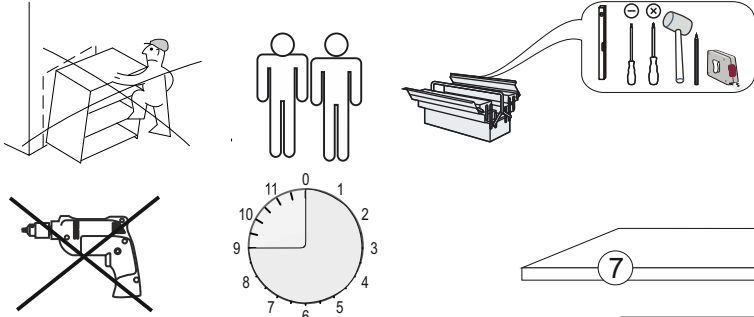
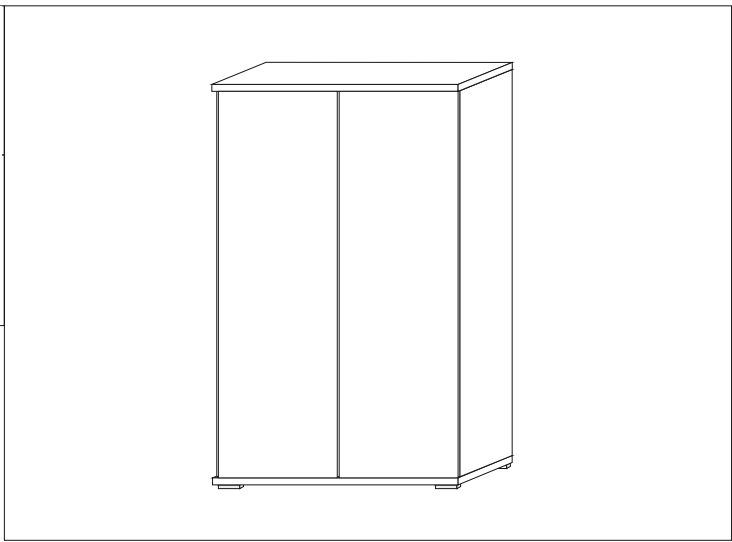
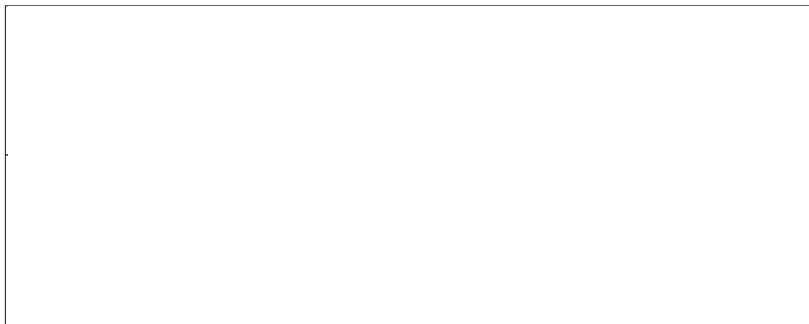


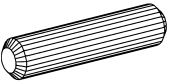
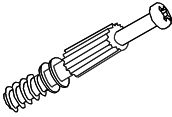

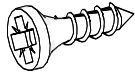

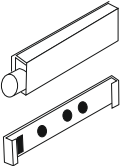
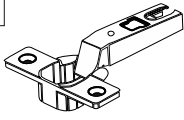
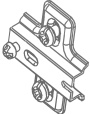
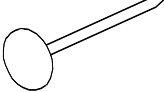
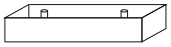
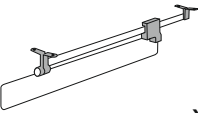
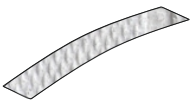


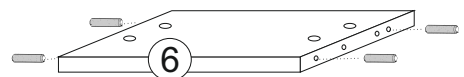
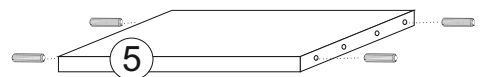
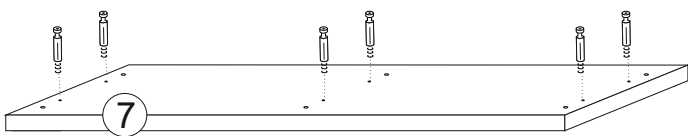
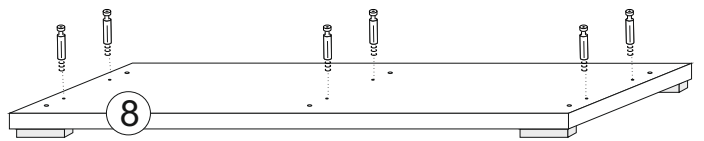
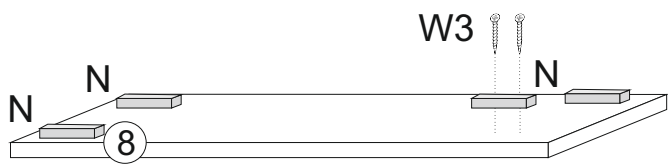
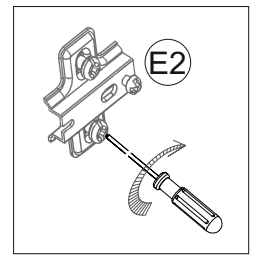
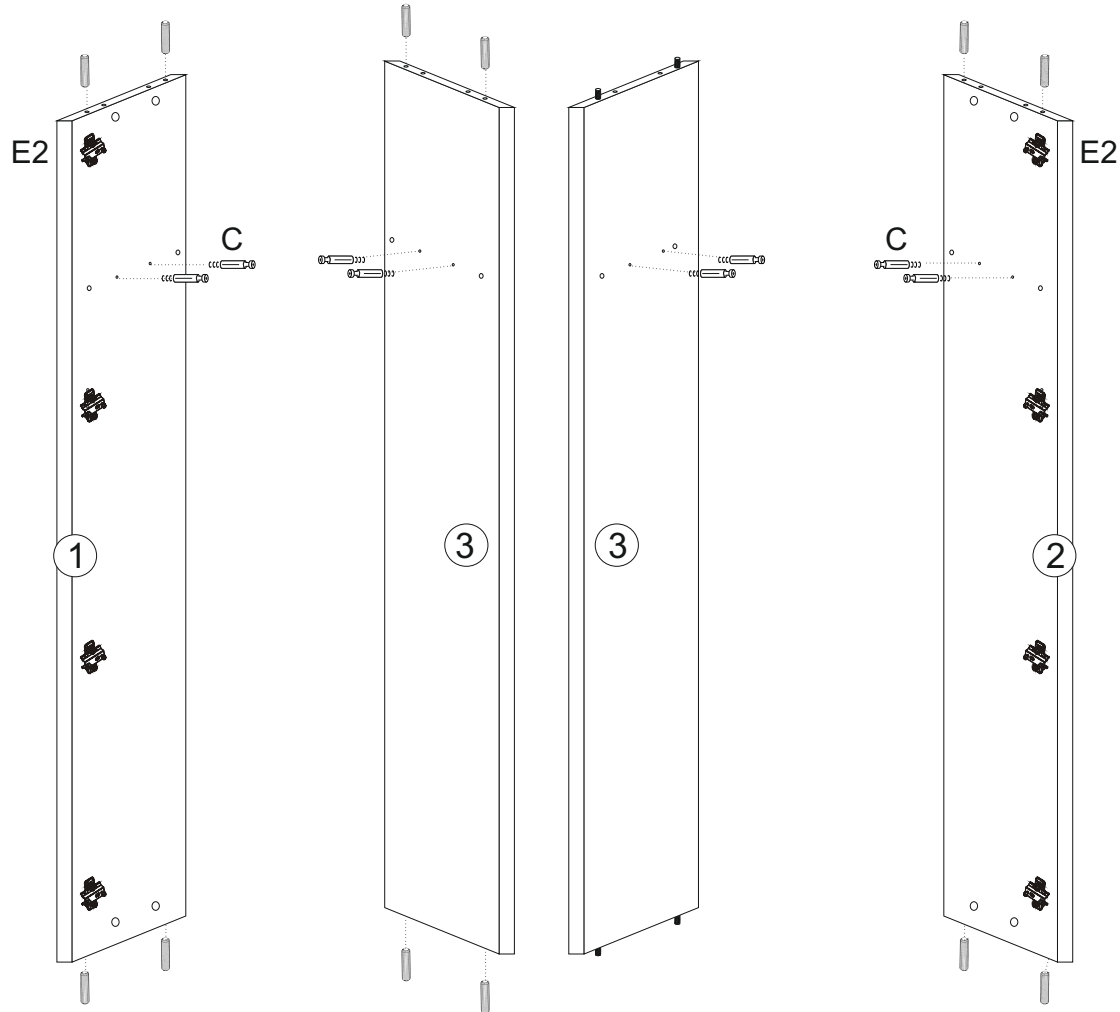
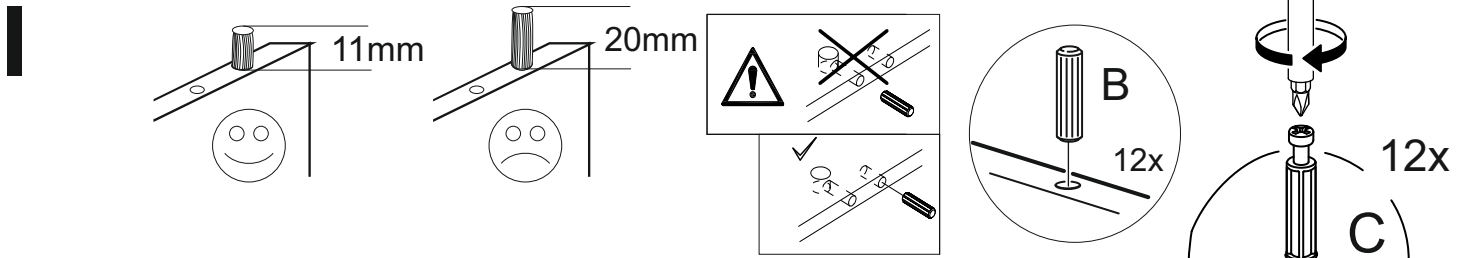


	M4 25mmx4  x6	 x3	 x2	W4 16mmx3,5  x4
---	--	---	---	--

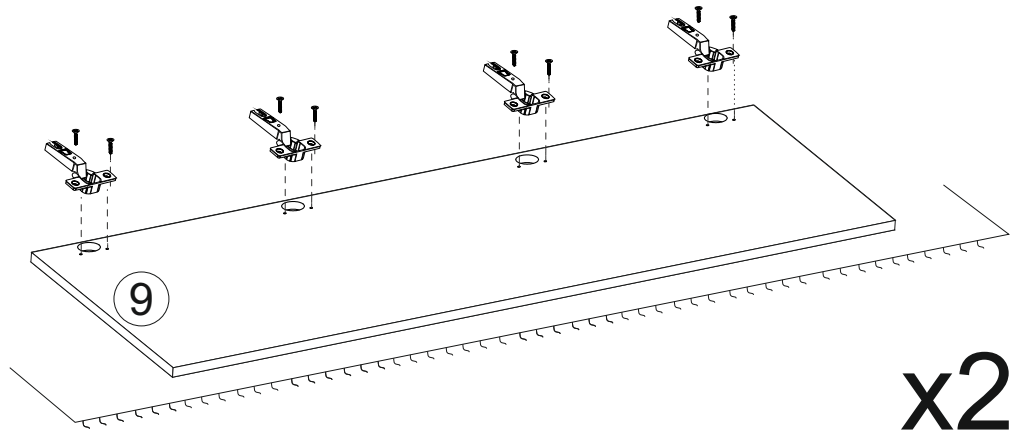
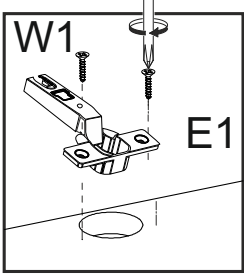




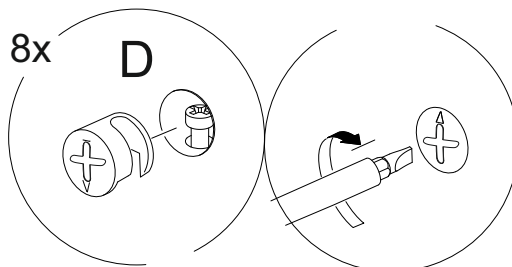
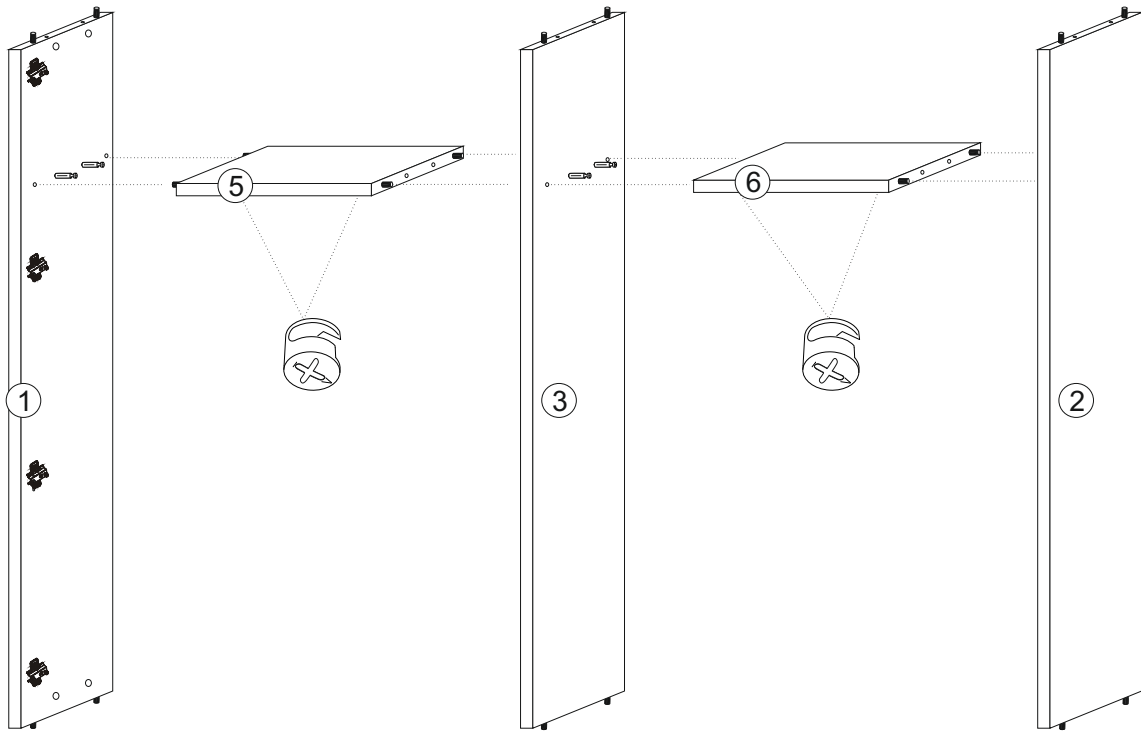
B  x12	C  x12	D  x12	W1 3.5x16  x24	W3 3.5x25  x8
W  x2	E1  x8	E2  x4	G  x4	N  x4
K  x2	A  x1			



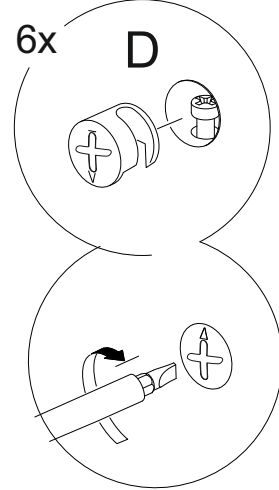
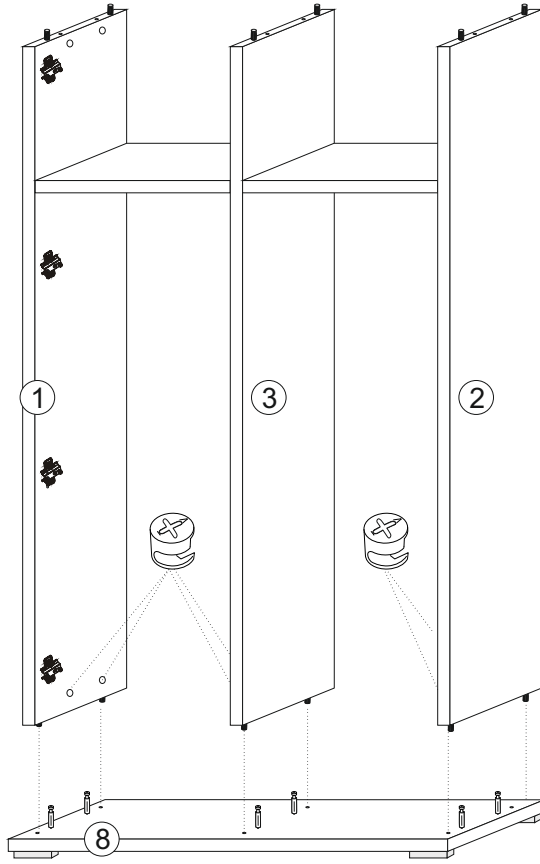
II



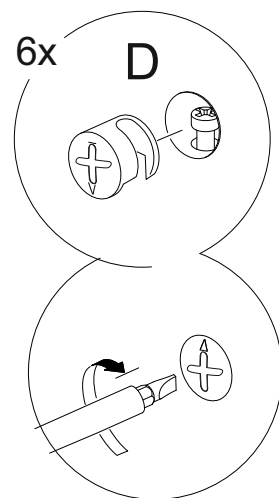
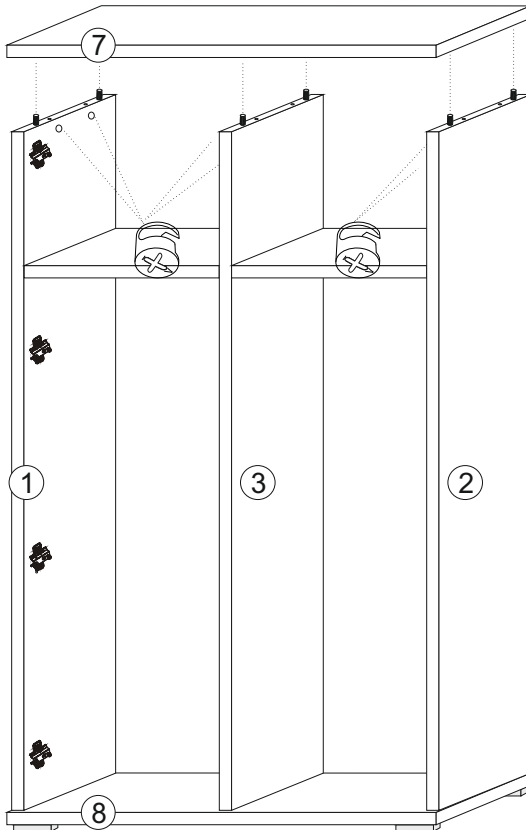
III



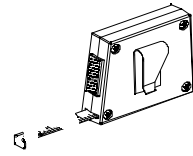
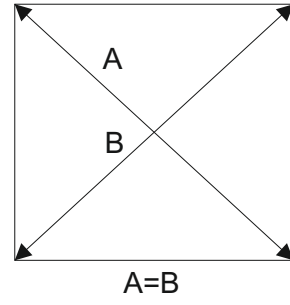
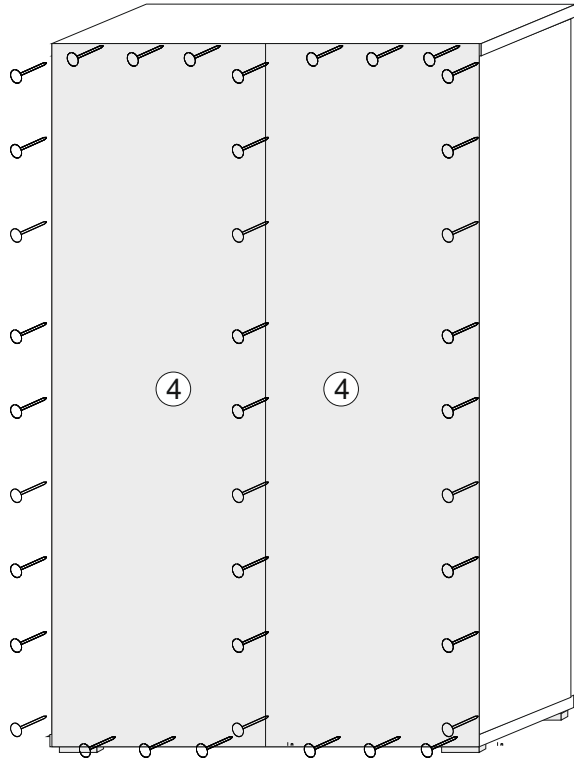
IV



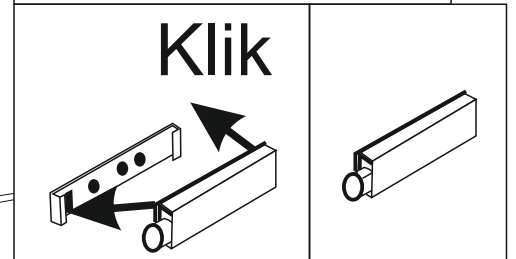
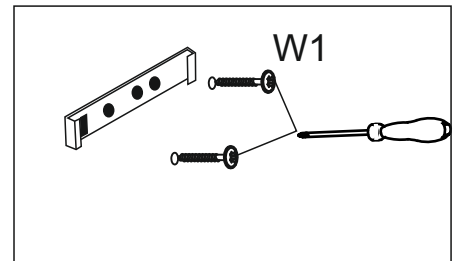
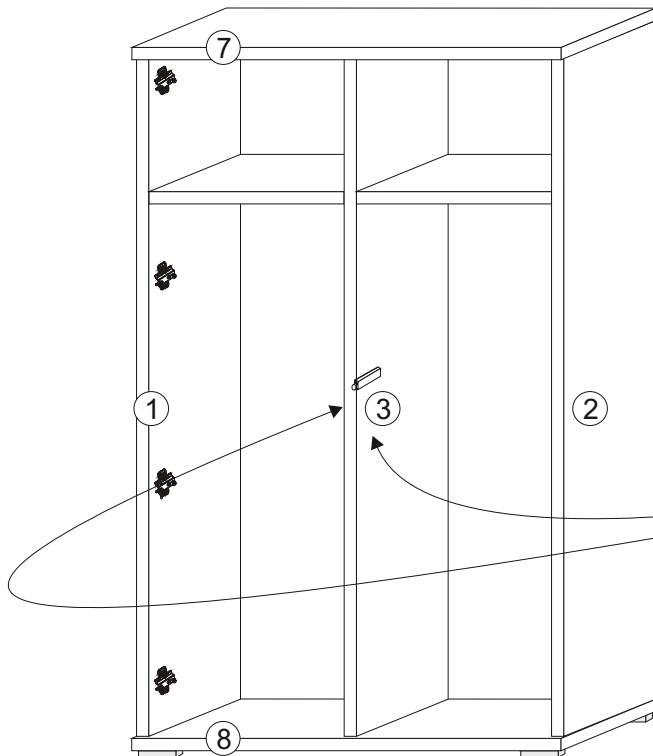
V



VI

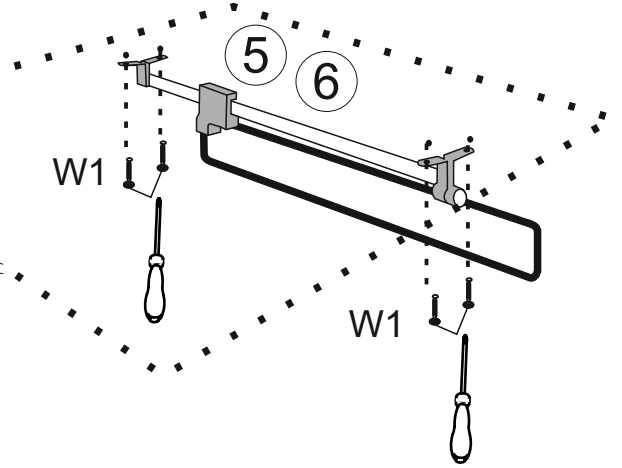
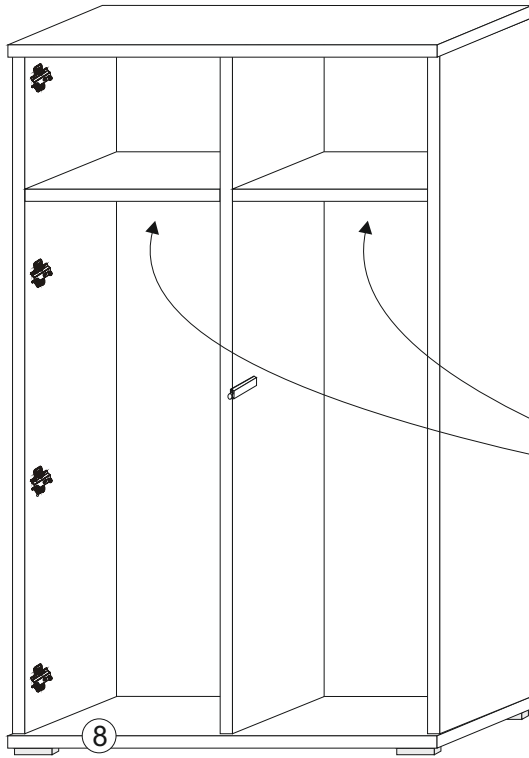


VII

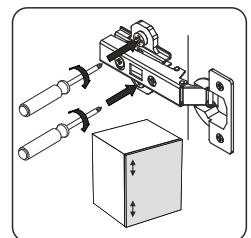
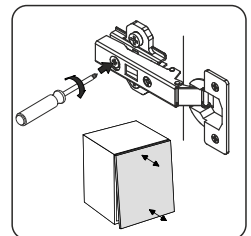
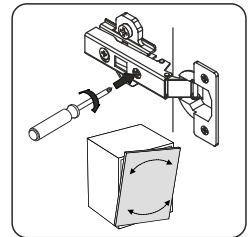
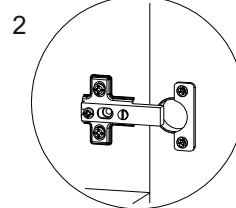
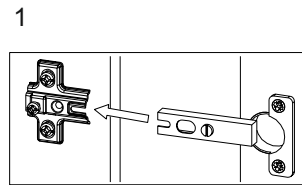
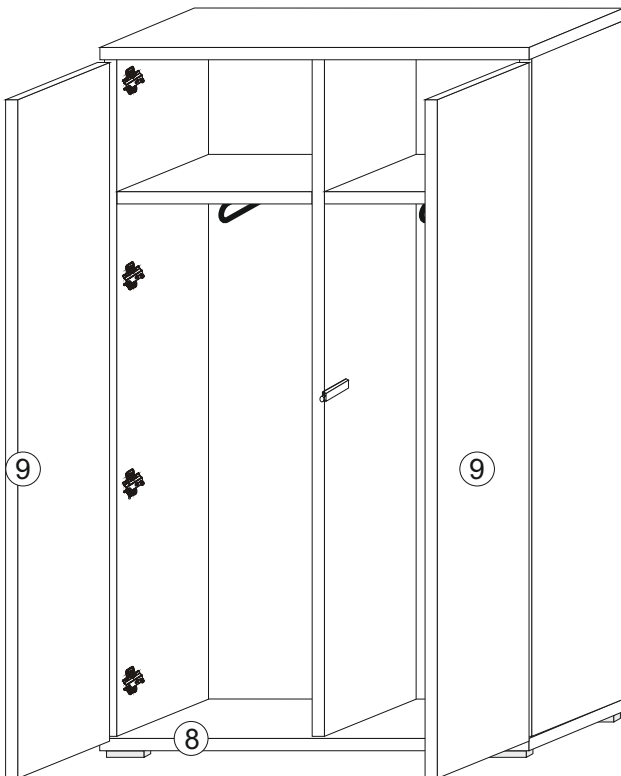


x2

VIII



IX



X

