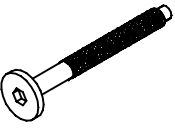
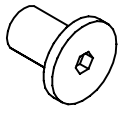
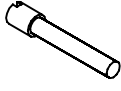


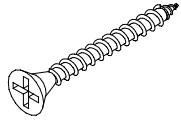
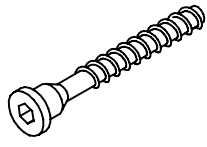
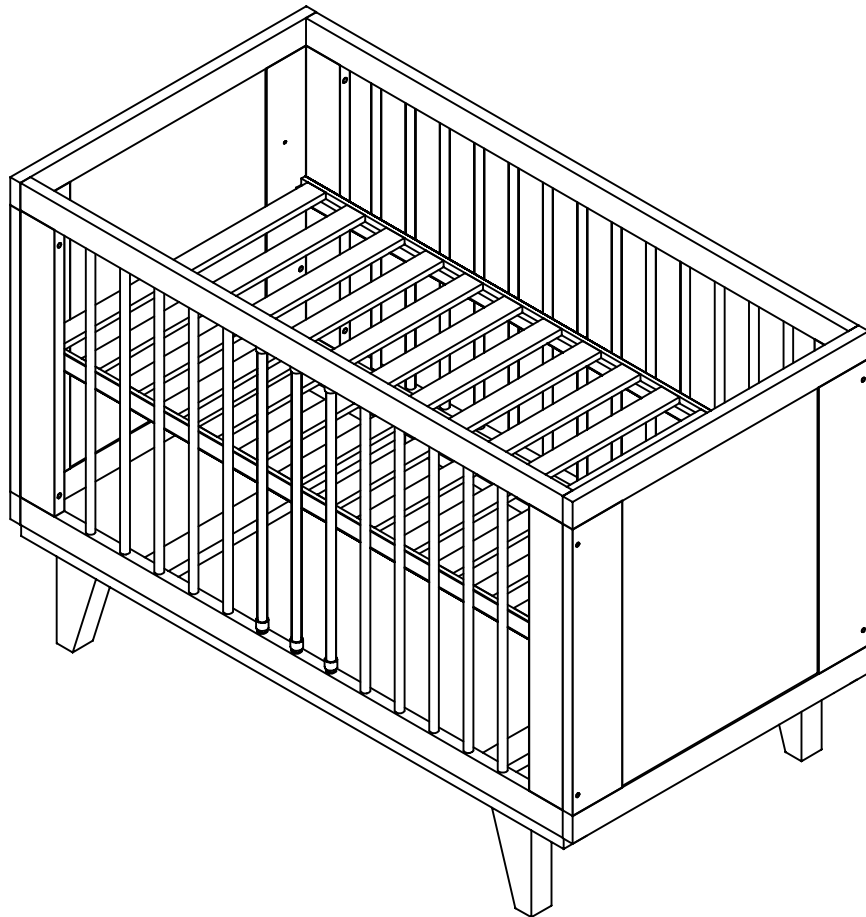
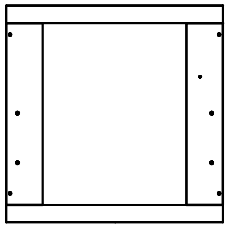
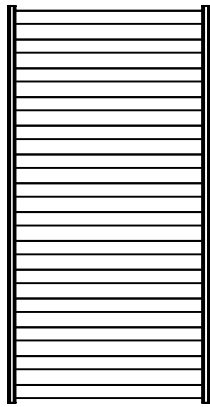


<p>M6 x 95</p>  <p>A x8</p>	 <p>B x8</p>	<p>M6 x 35</p>  <p>C x4</p>	 <p>D x2</p>
 <p>E x4</p>	<p>4 x 40</p>  <p>F x8</p>	<p>7 x 50</p>  <p>G x4</p>	

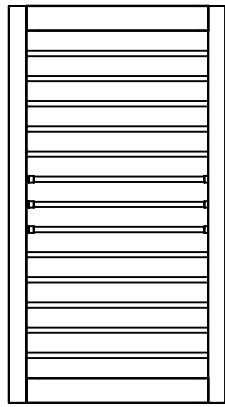




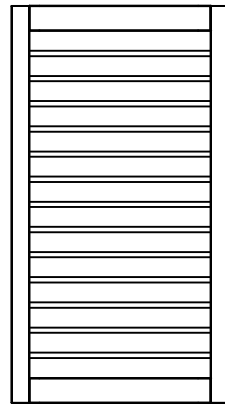
x2



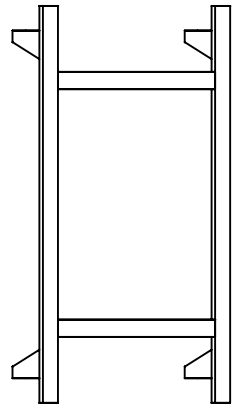
x1



x1

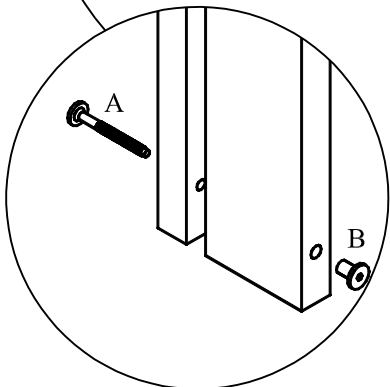
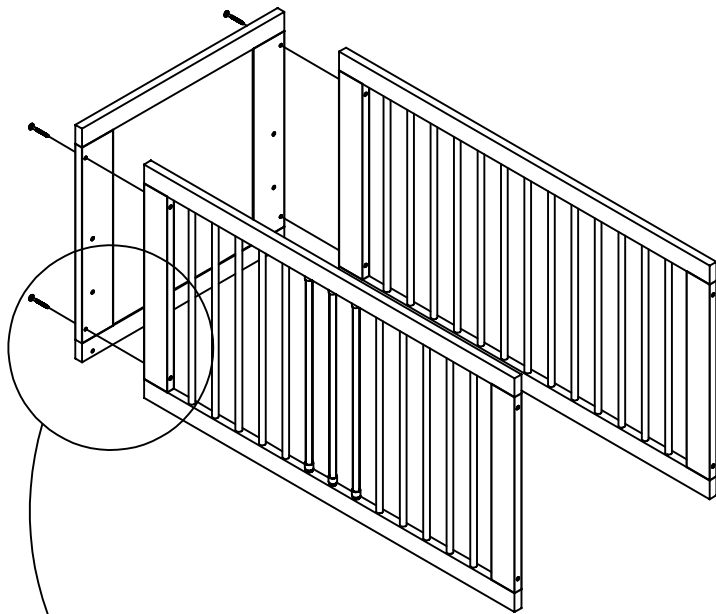


x1

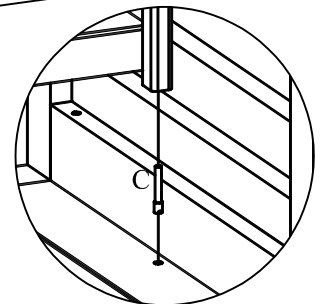
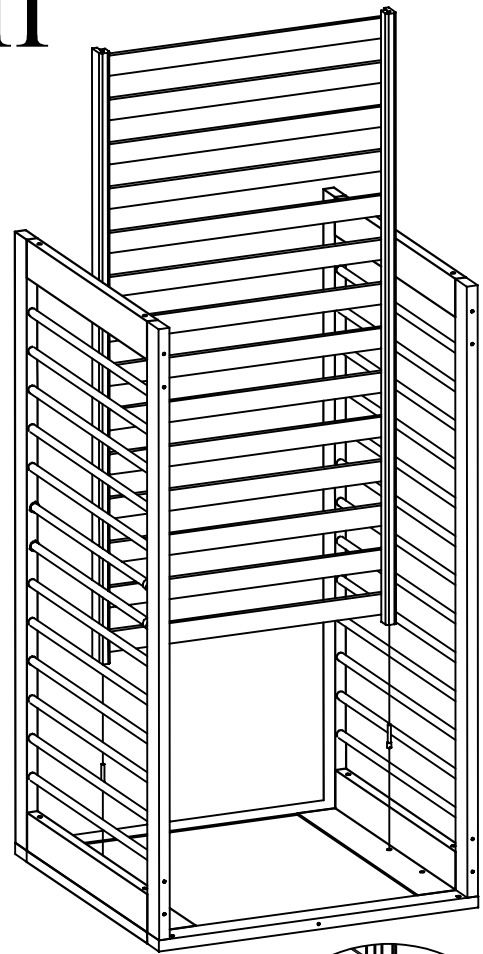


x1

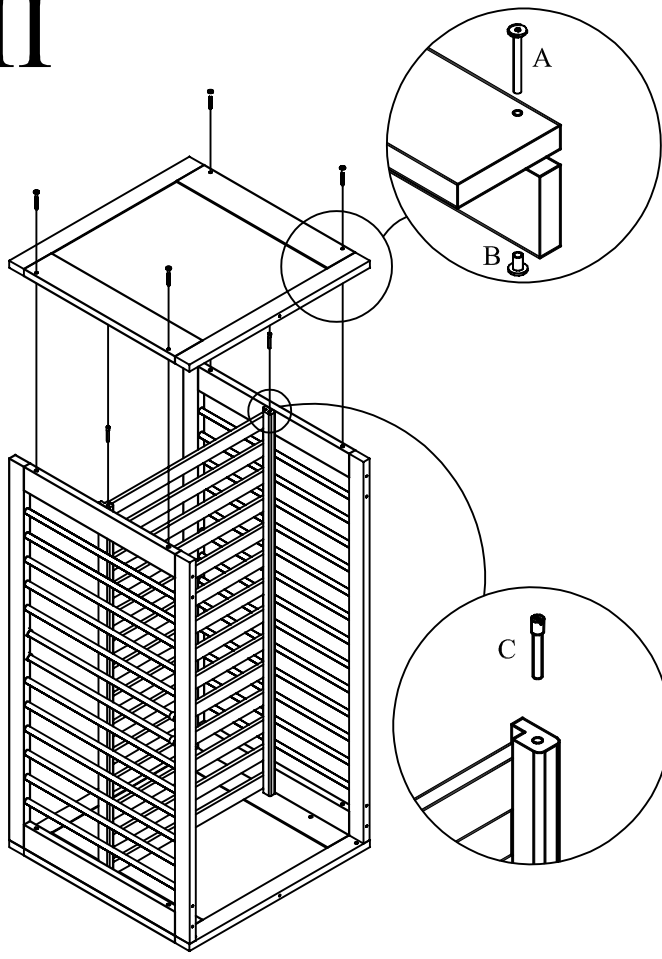
I



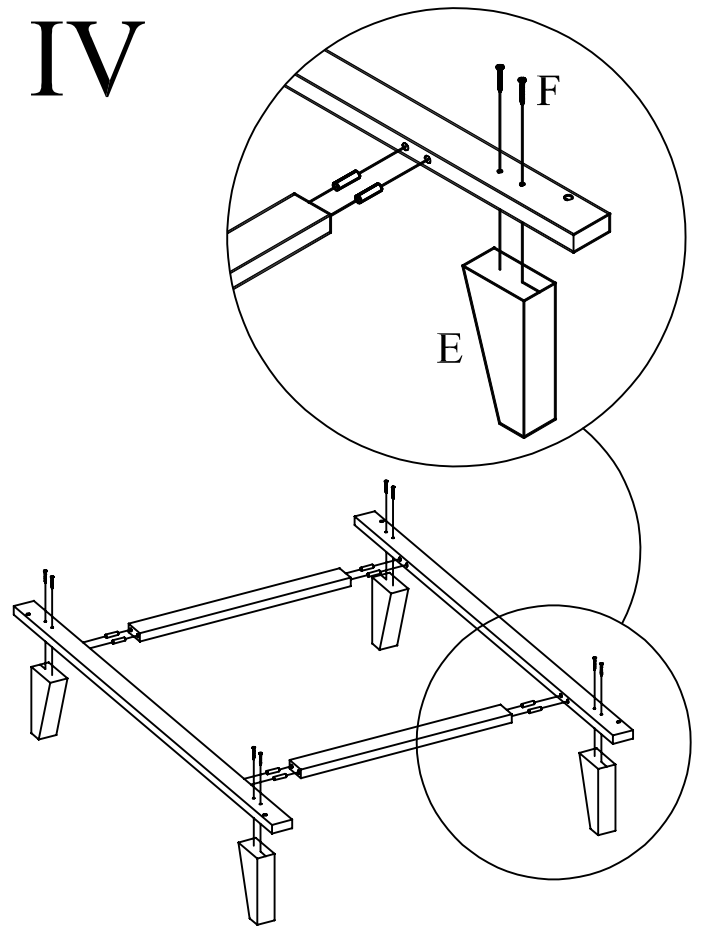
II



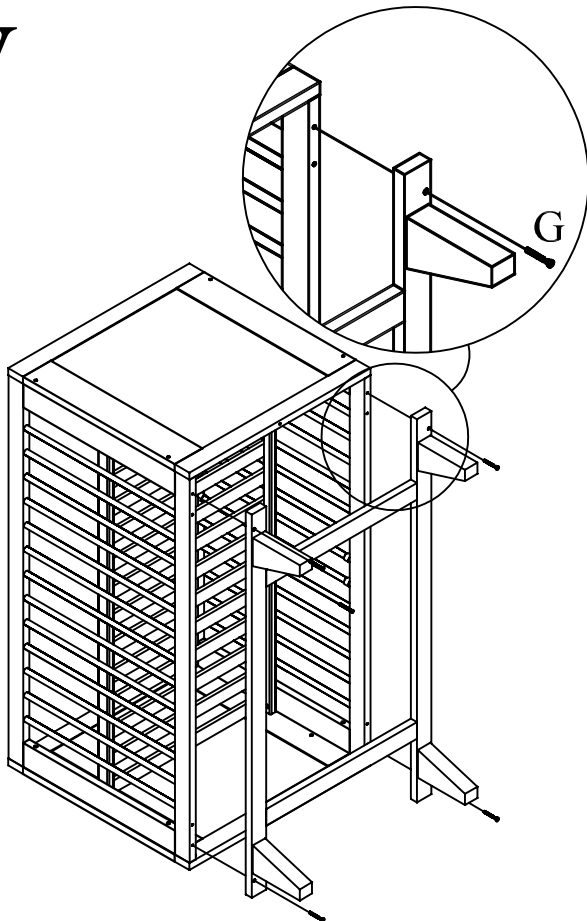
III



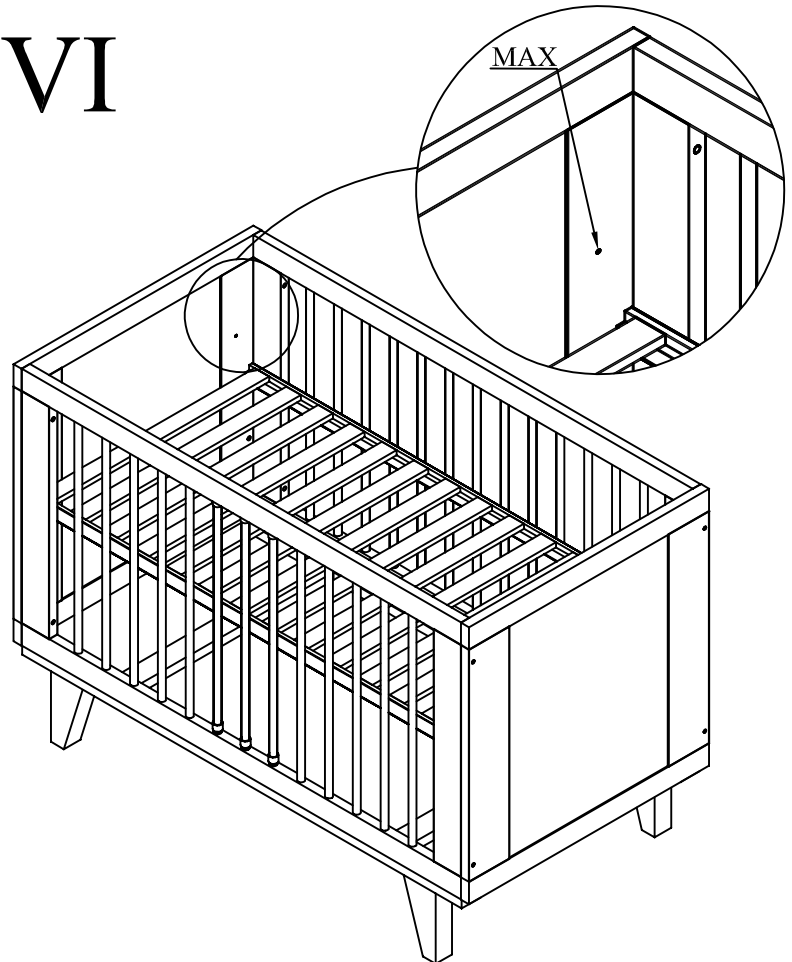
IV

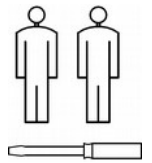



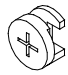
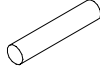
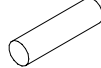
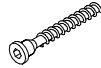
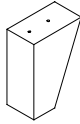




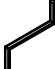
V

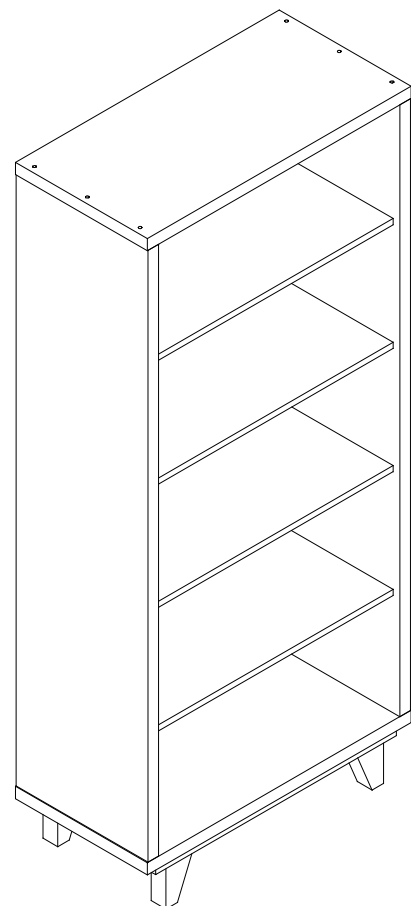
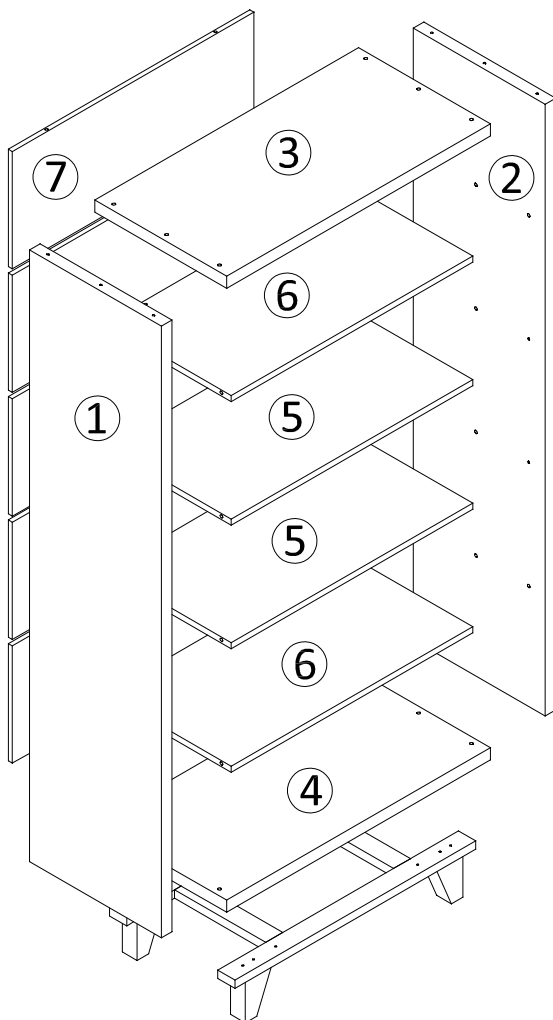


VI

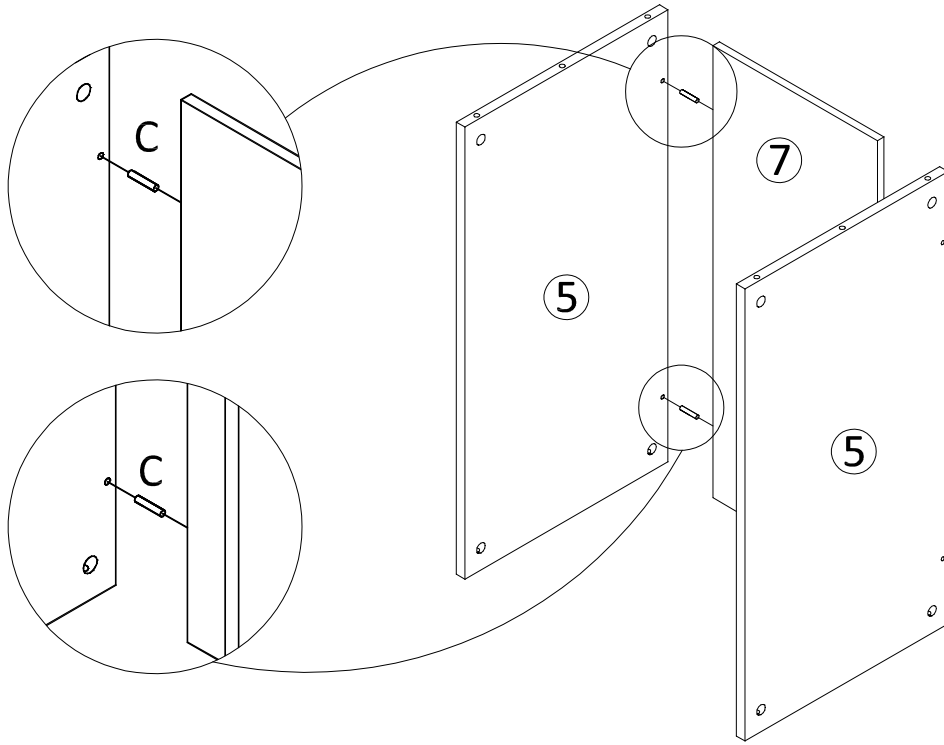




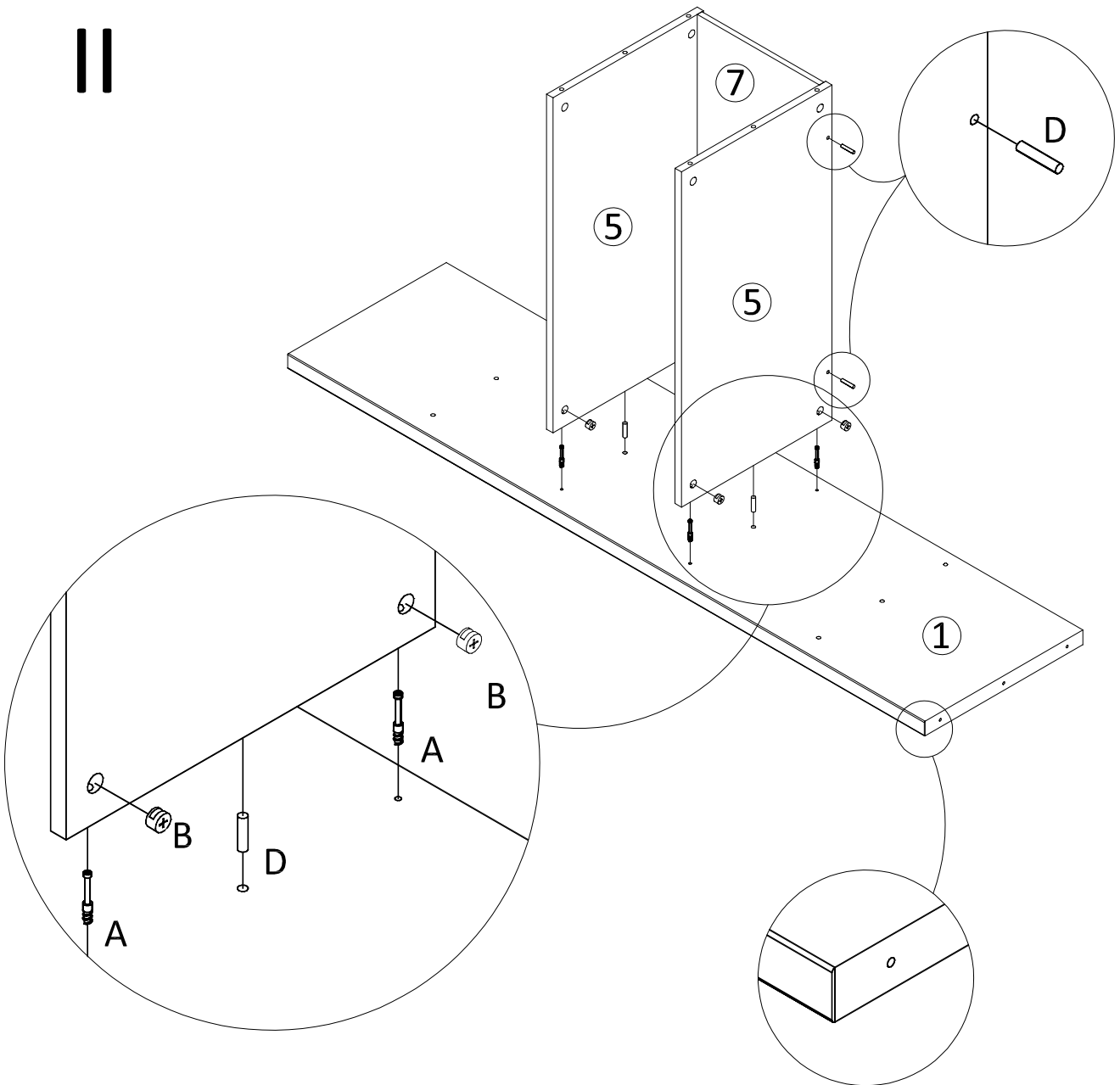
 A 8	 B 8	6x30  C 20	8x30  D 24	7x70  E 12
 F 4	3.5 x 45  G 12	 H 1	 I 1	3.5x16  J 1
 K 1				



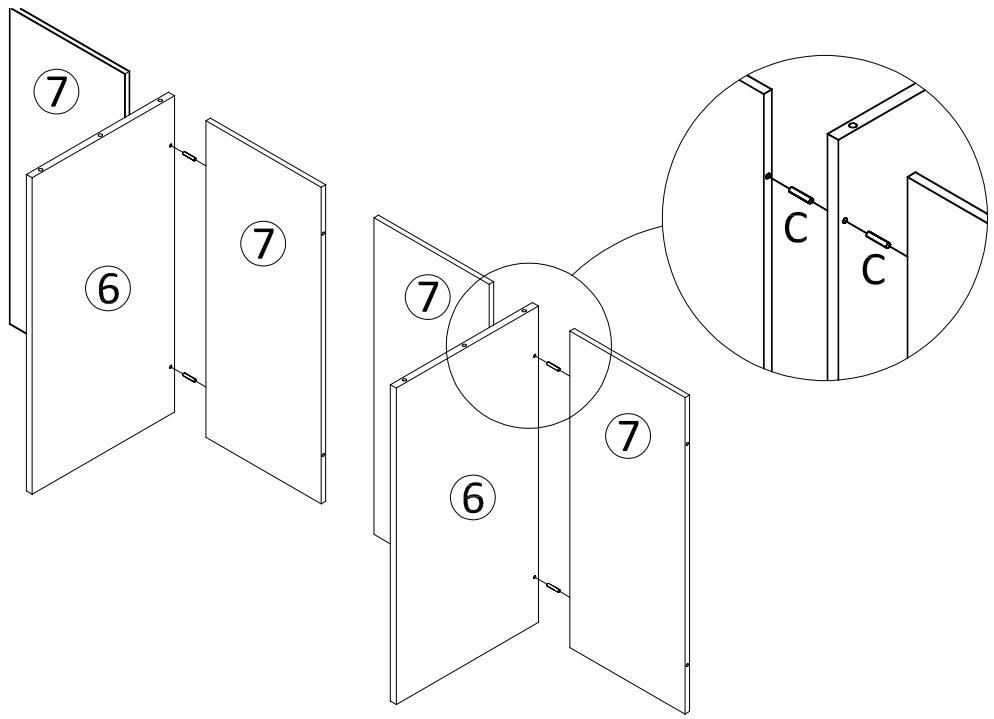
I



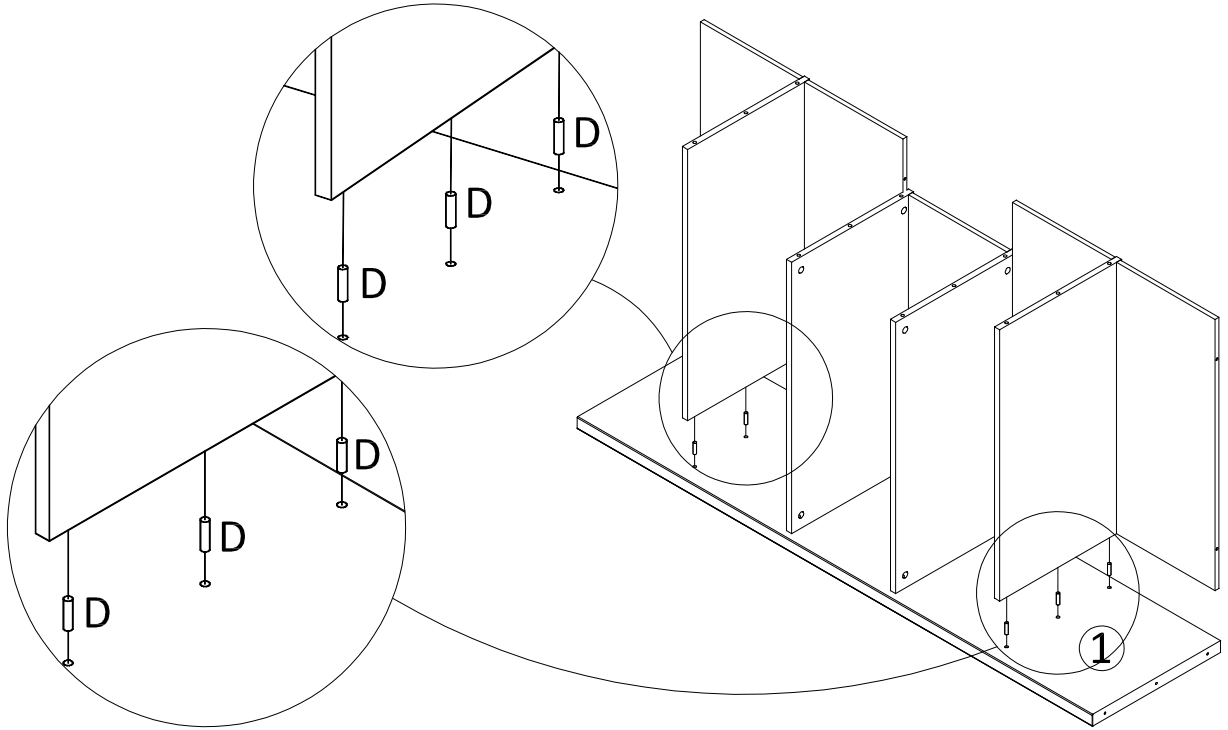
II



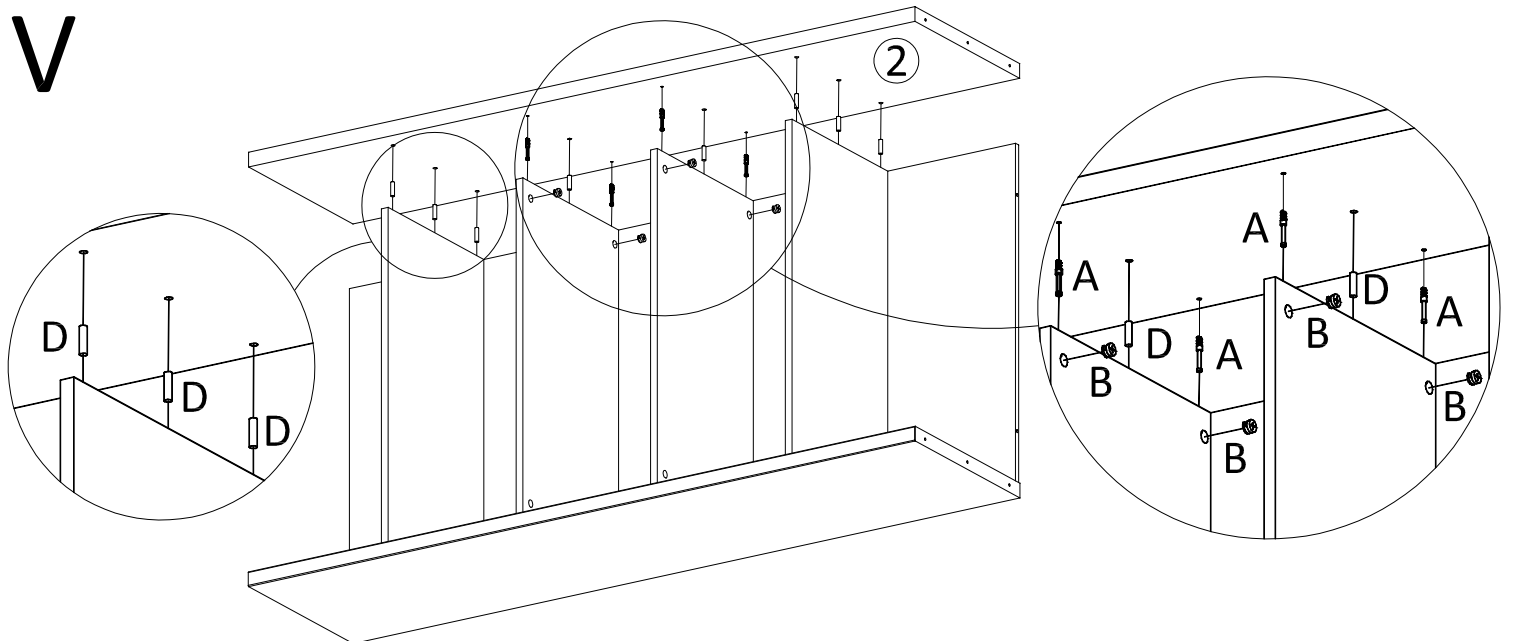
III

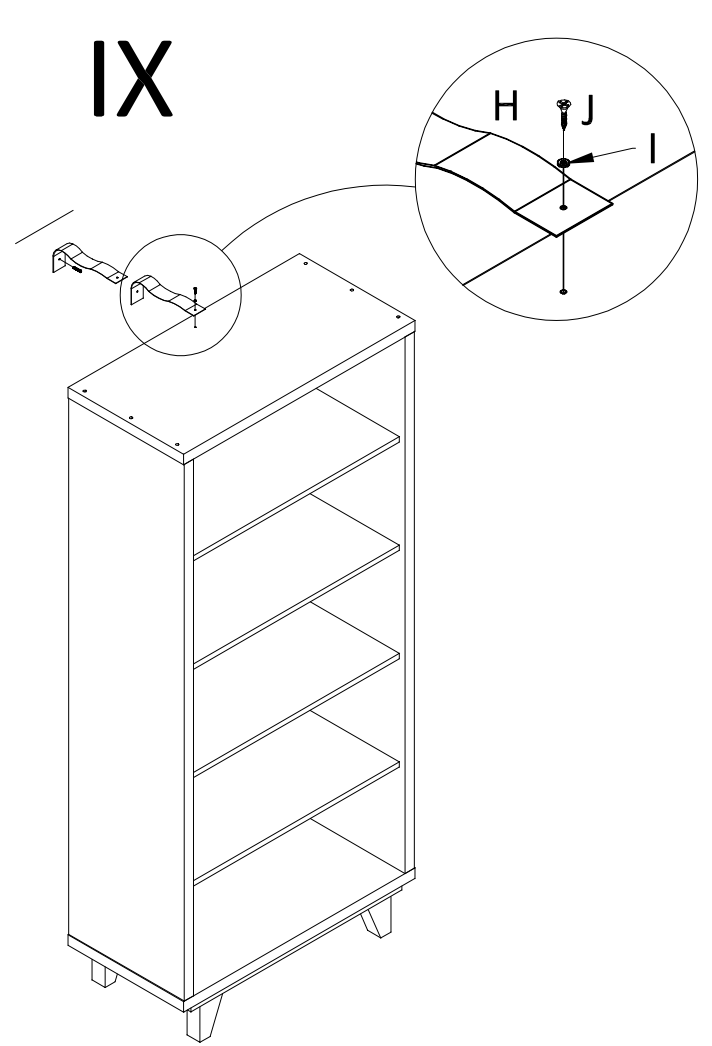
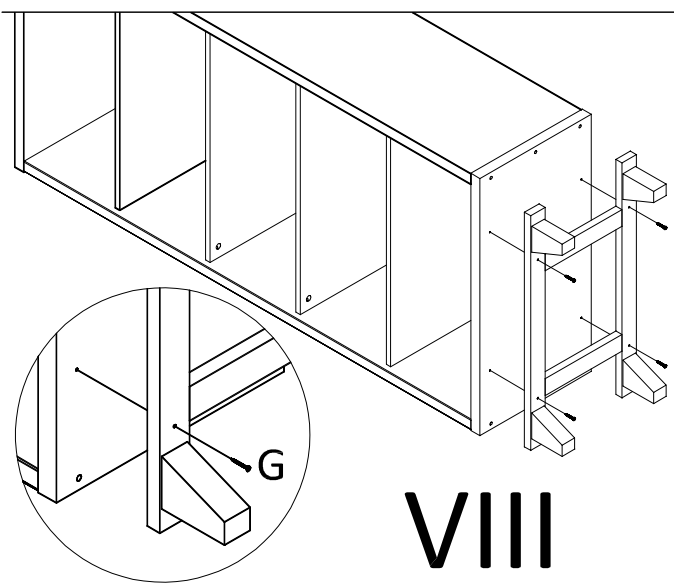
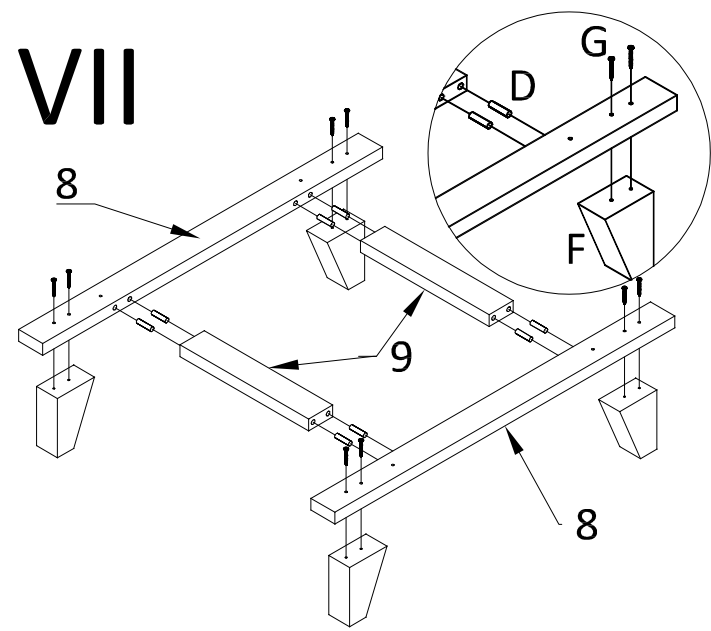
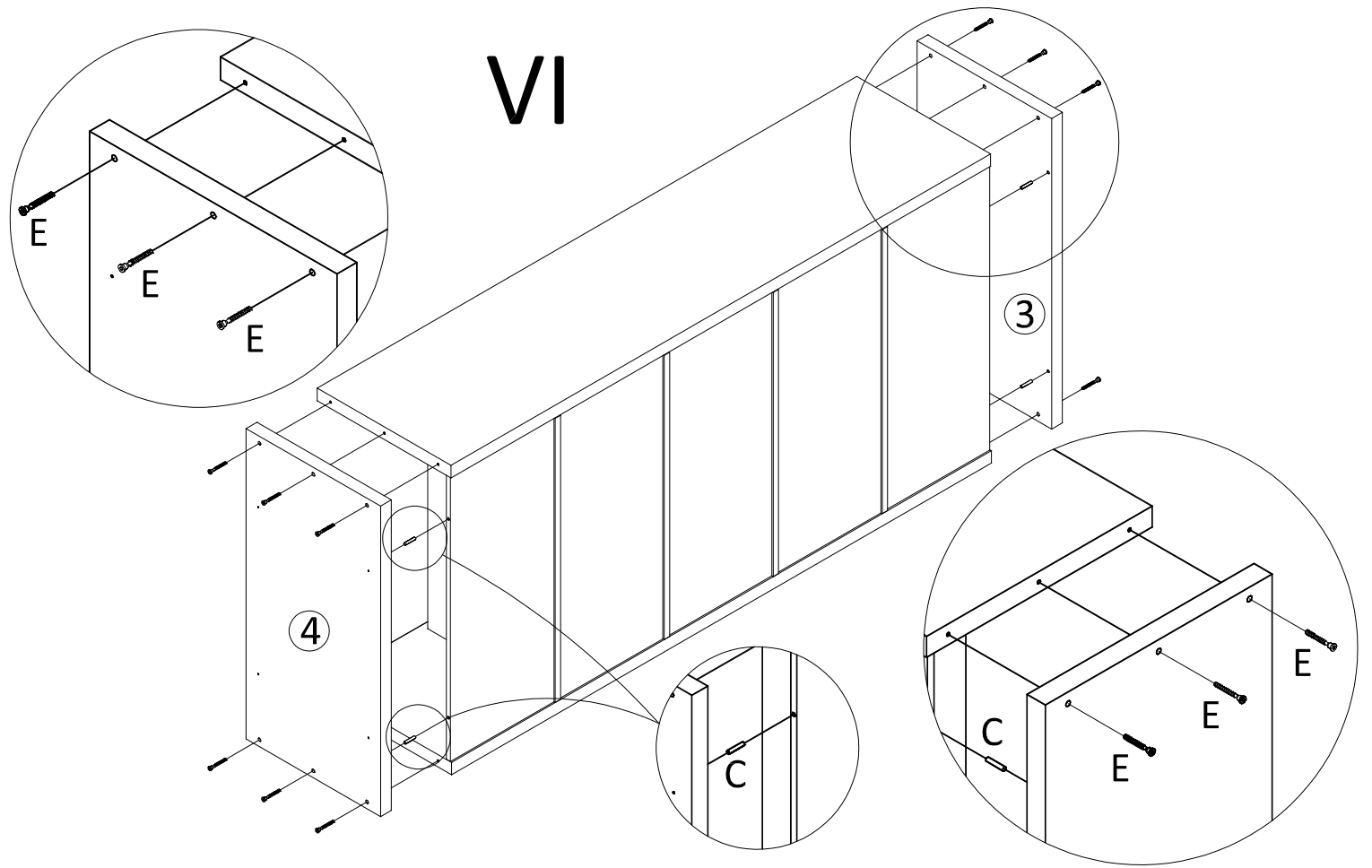


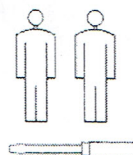
IV



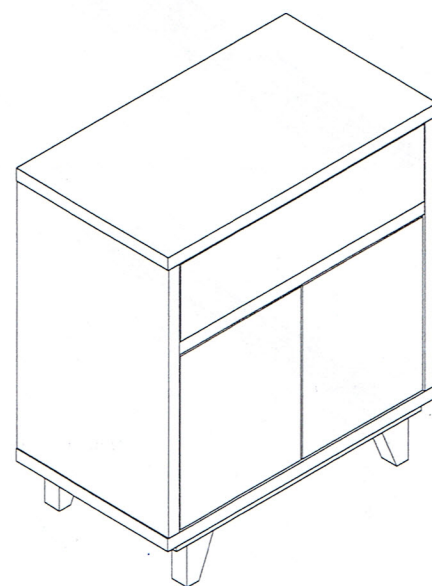
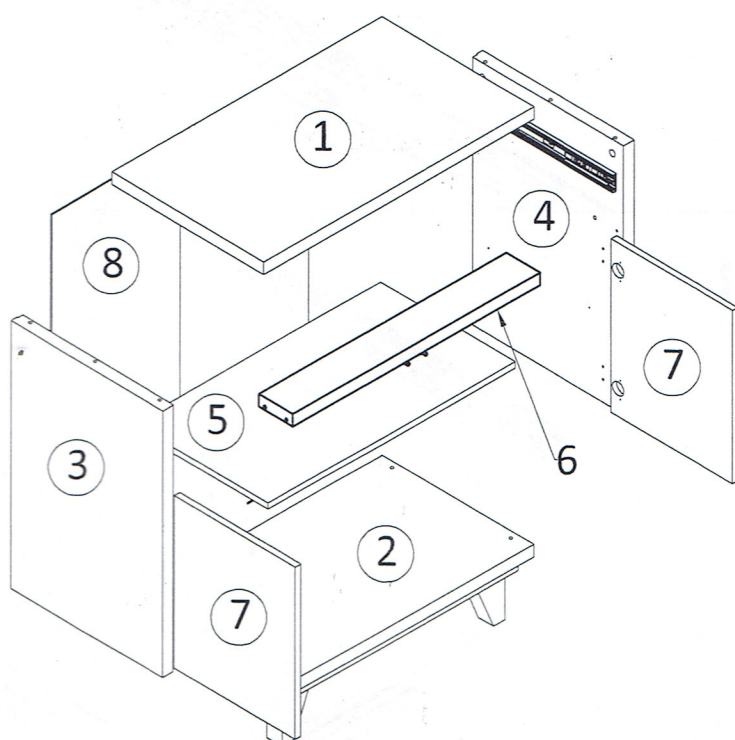
V



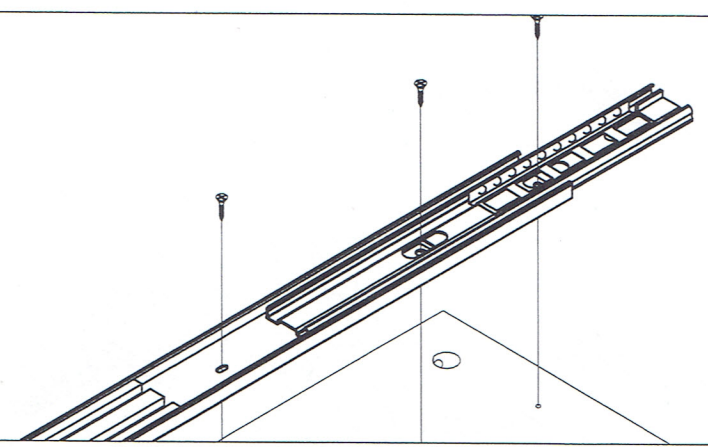
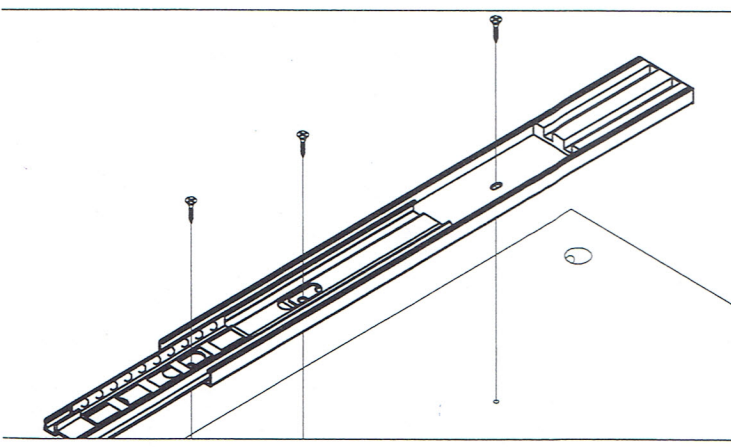
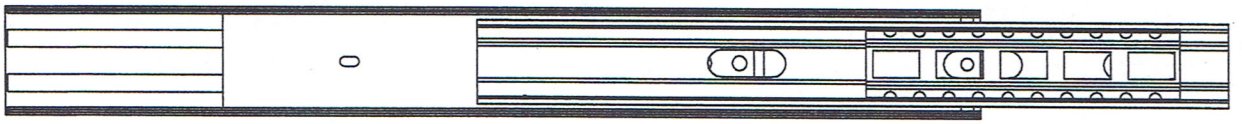
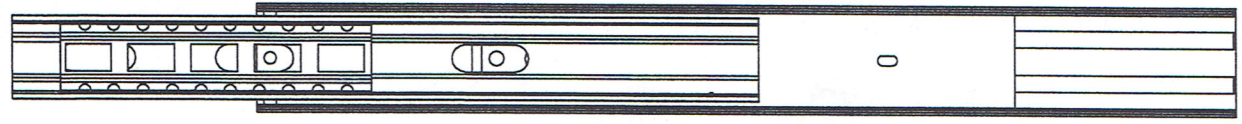
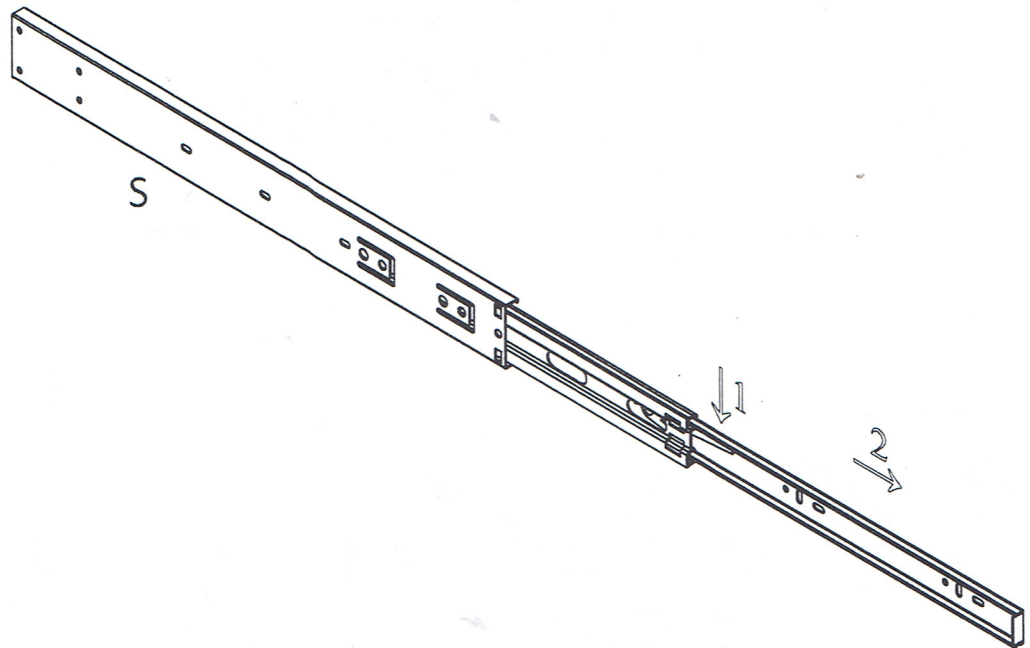




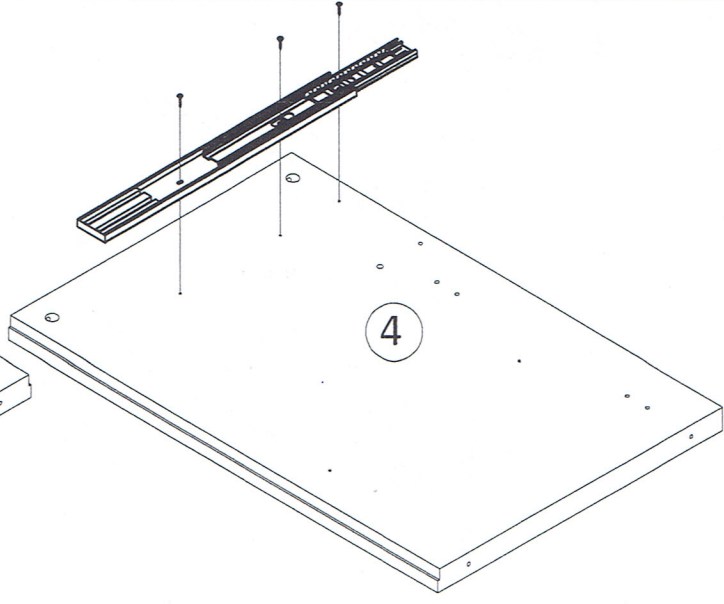
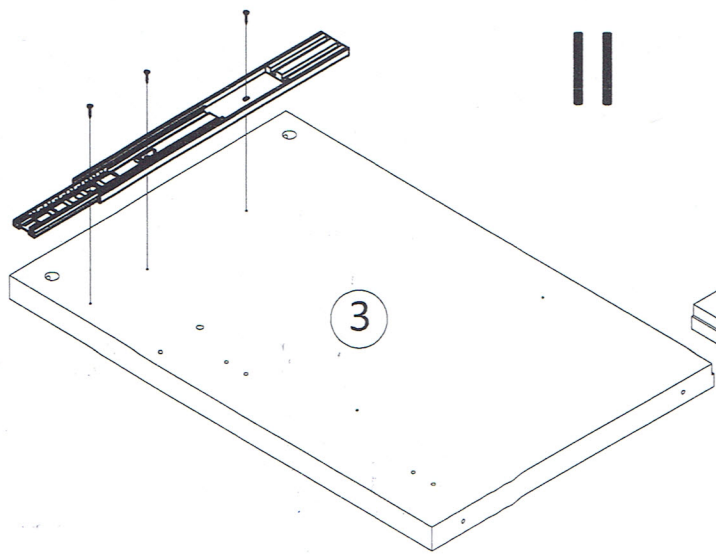
7x34 A 6	7x34x9 B 4	C 10	7x70 D 8	8x30 E 12	F 30	G 4
4x45 H 12	I 4	3.5x16 J 17	K 1	L 1	M 2	N 2
O 2	P 4	Q 2	R 2	S 2	T 1	



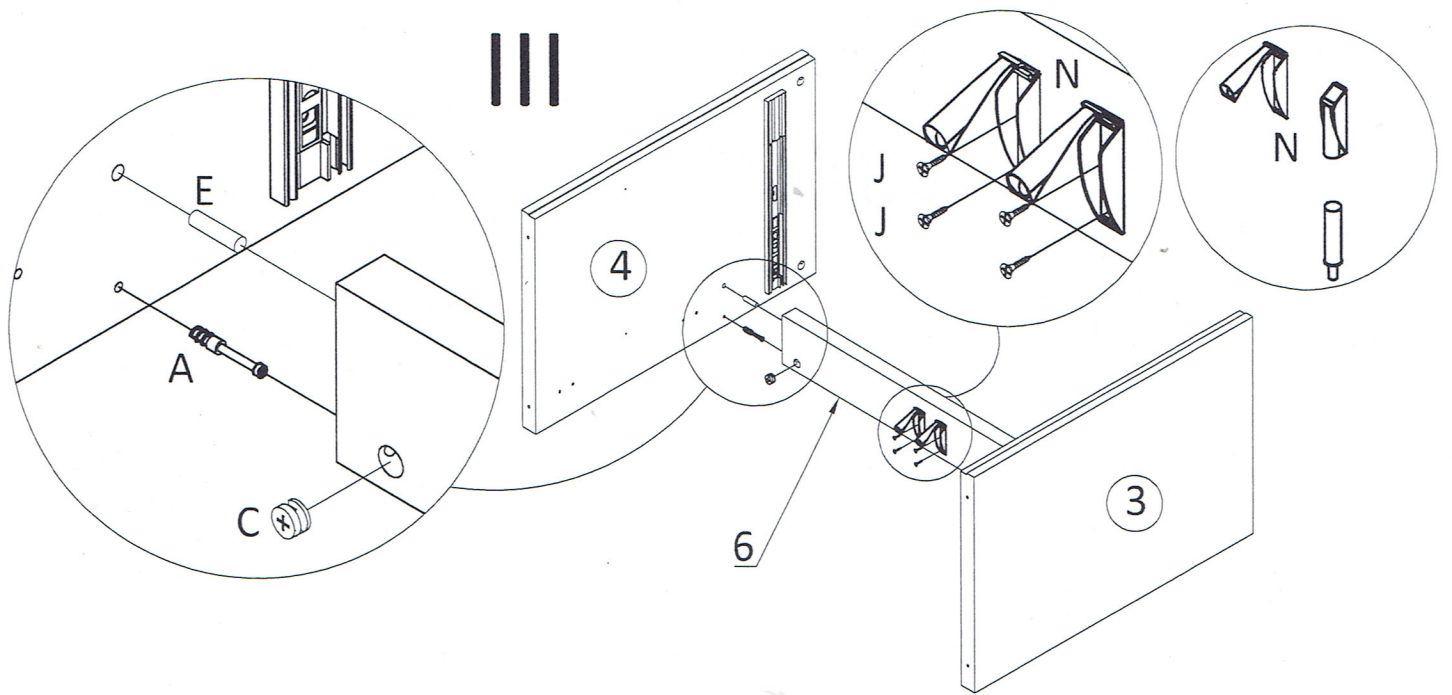
I



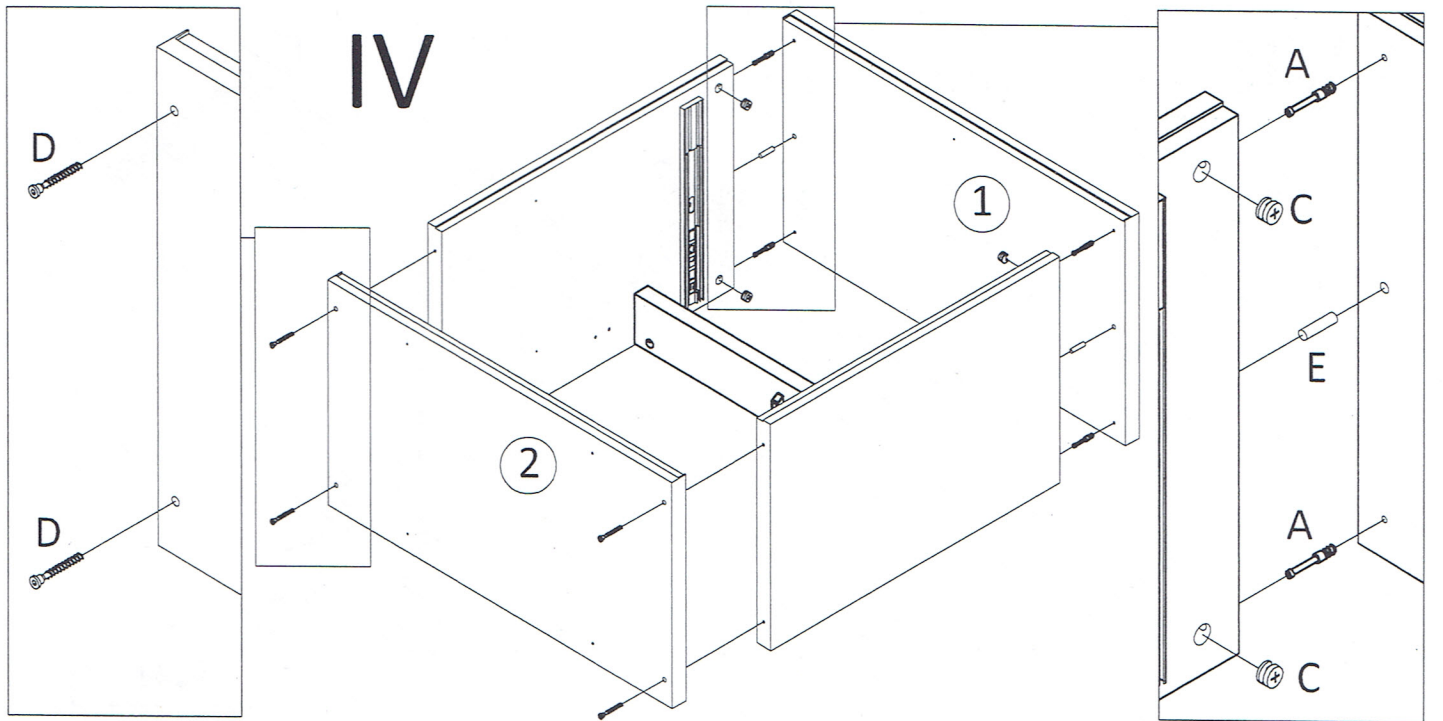
II



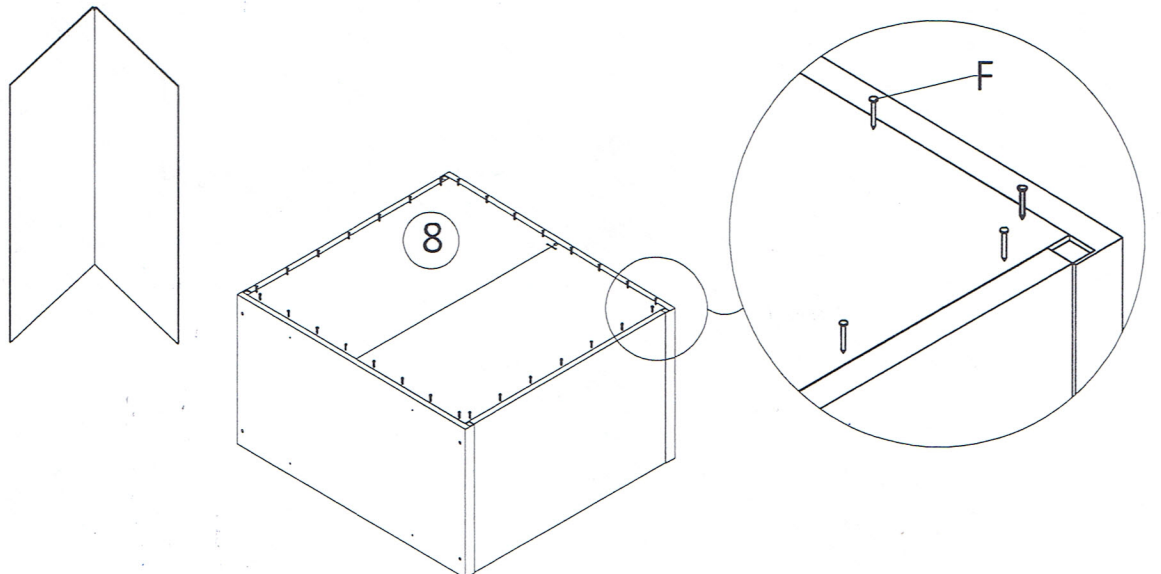
III



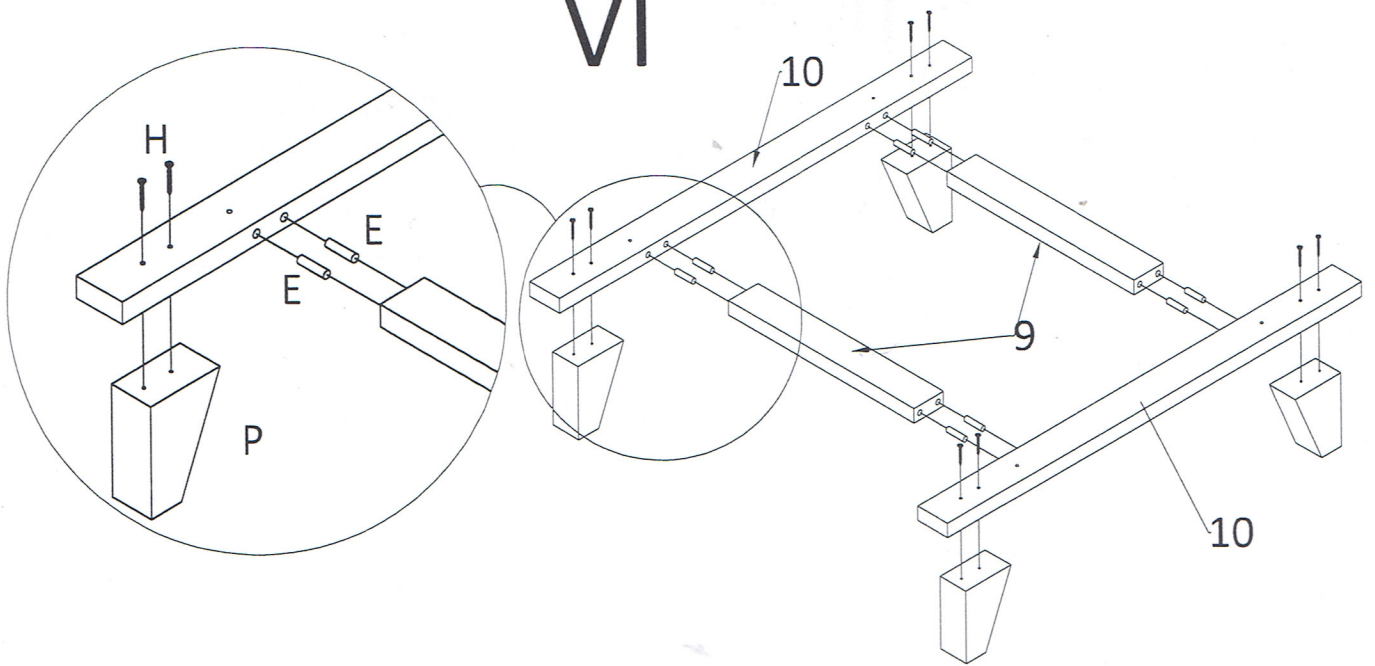
IV



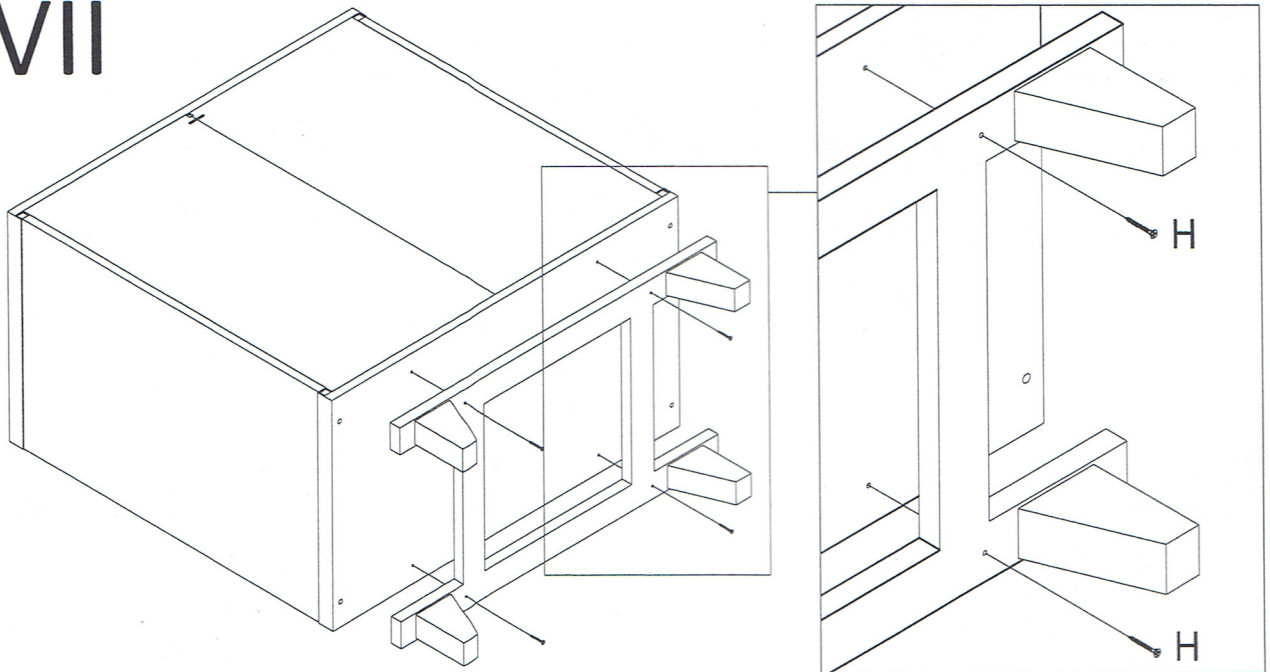
V



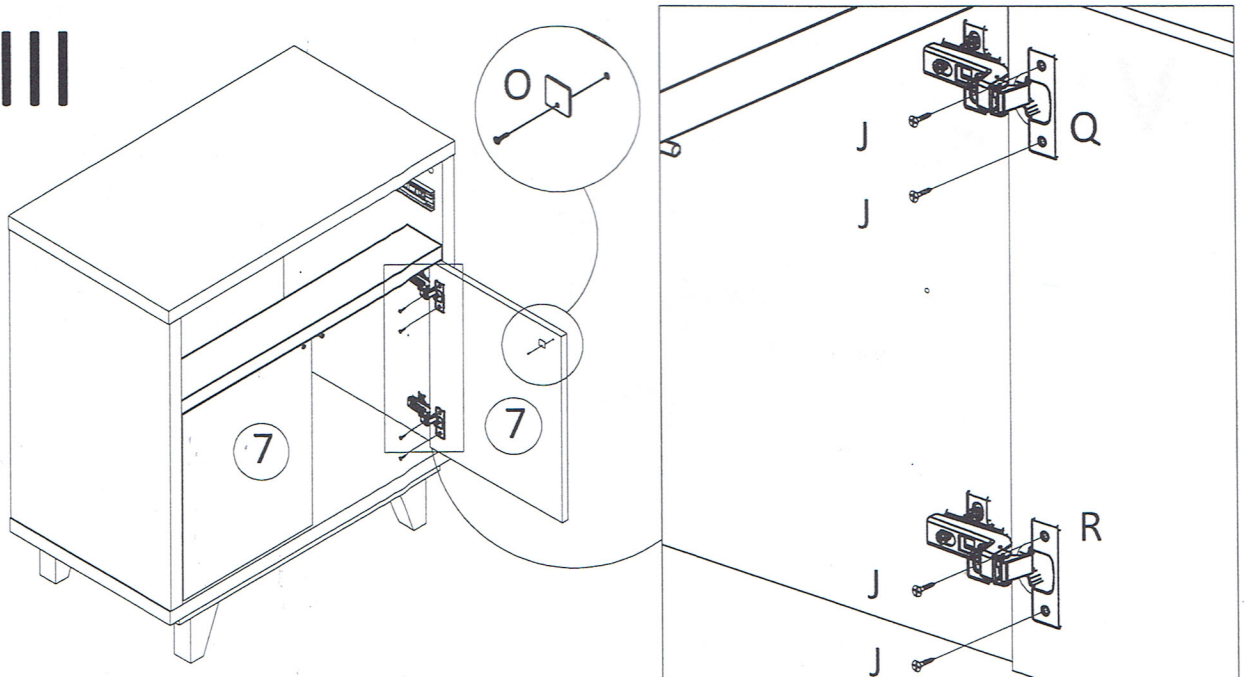
VI



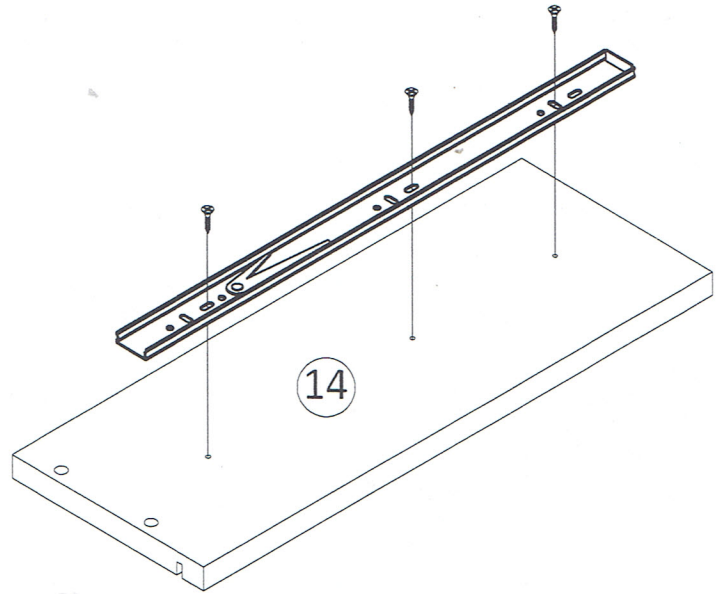
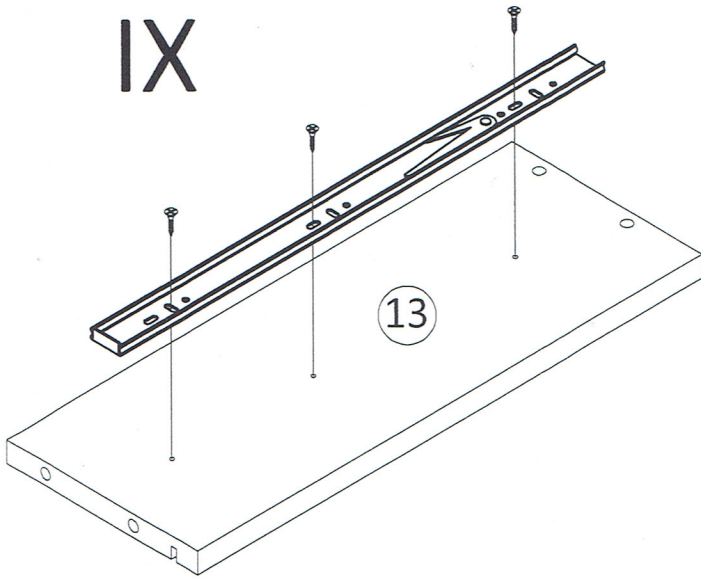
VII



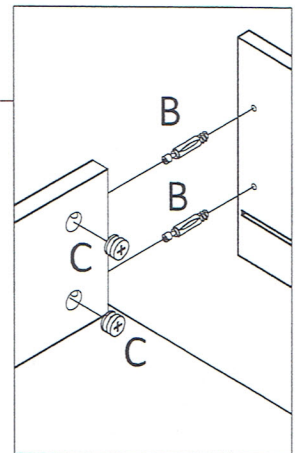
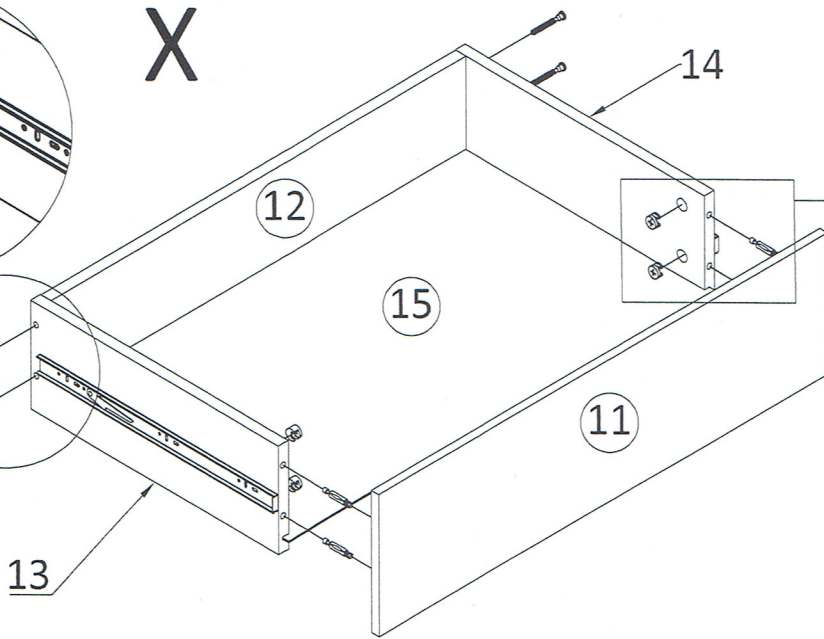
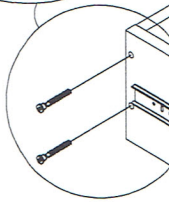
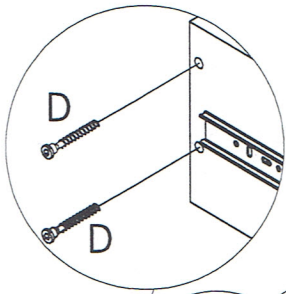
VIII



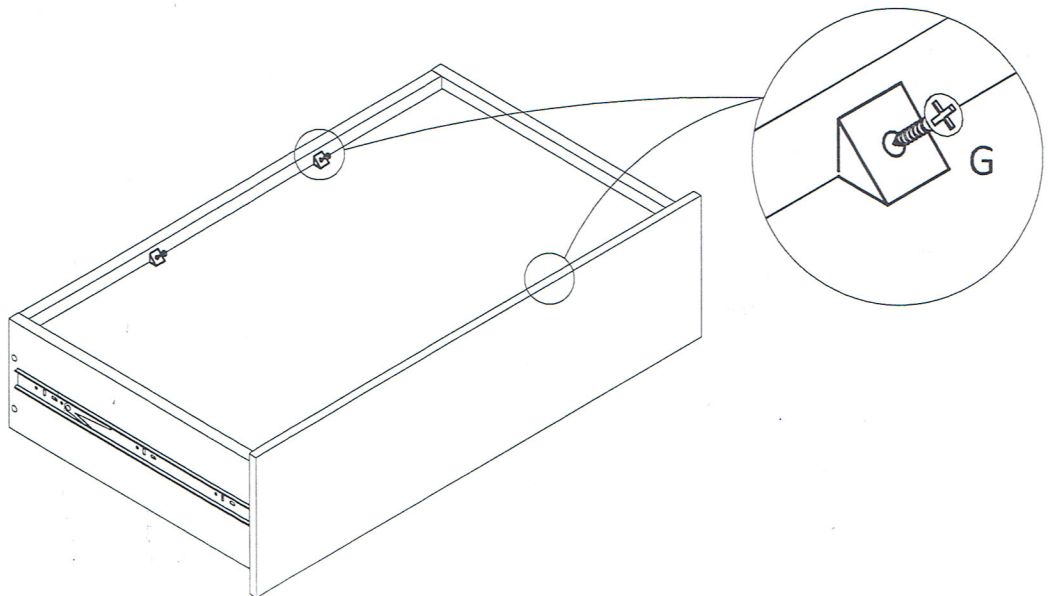
IX



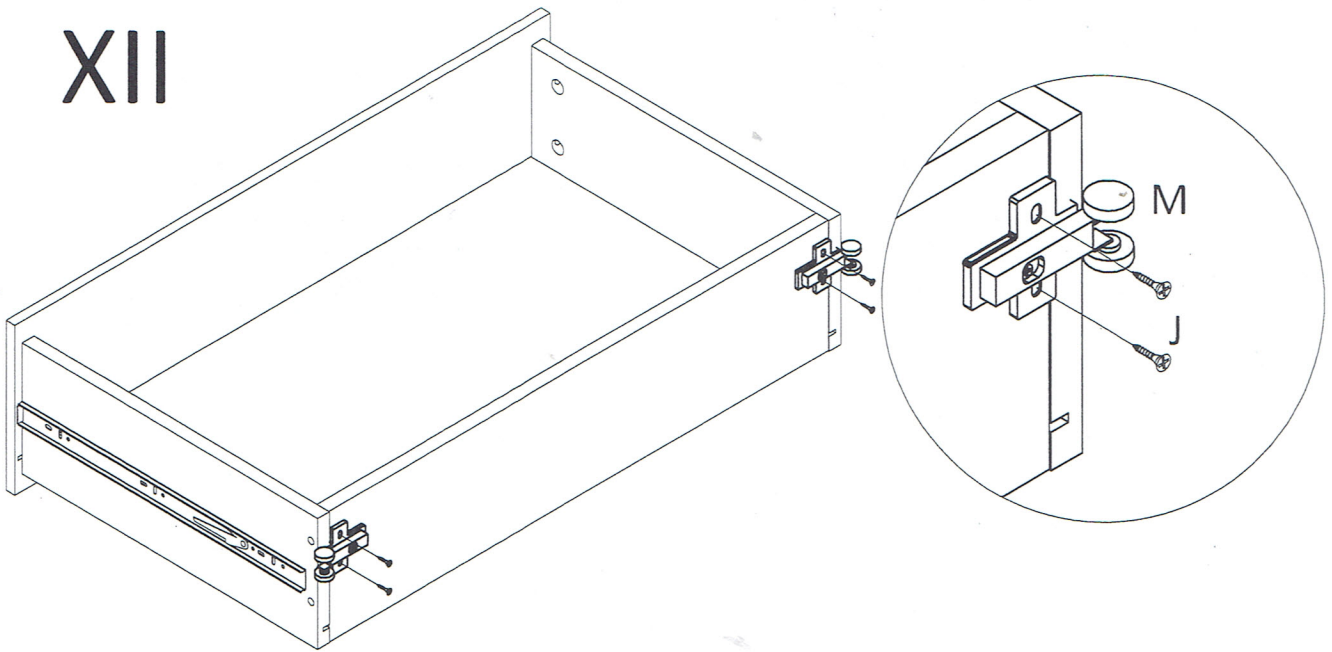
X



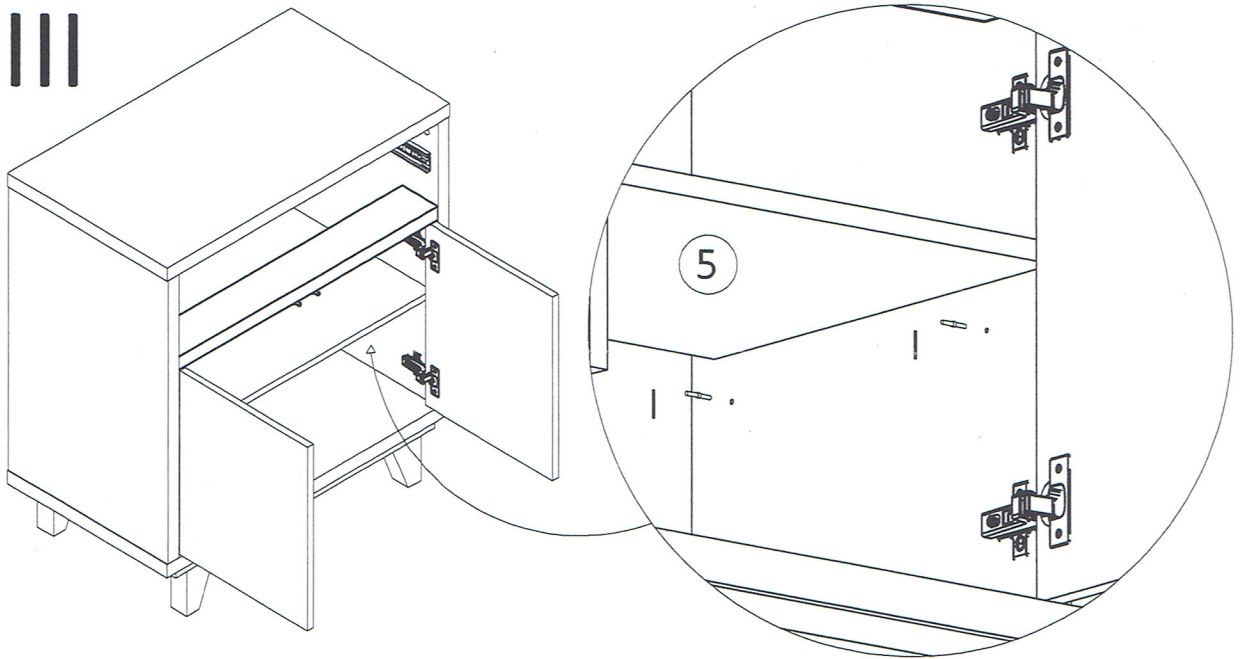
XI



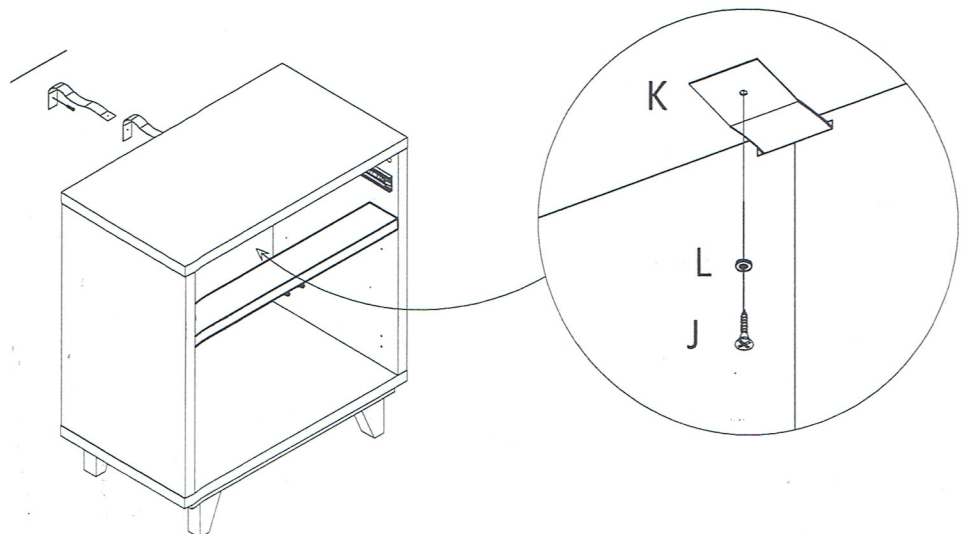
XII

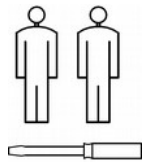


XIII

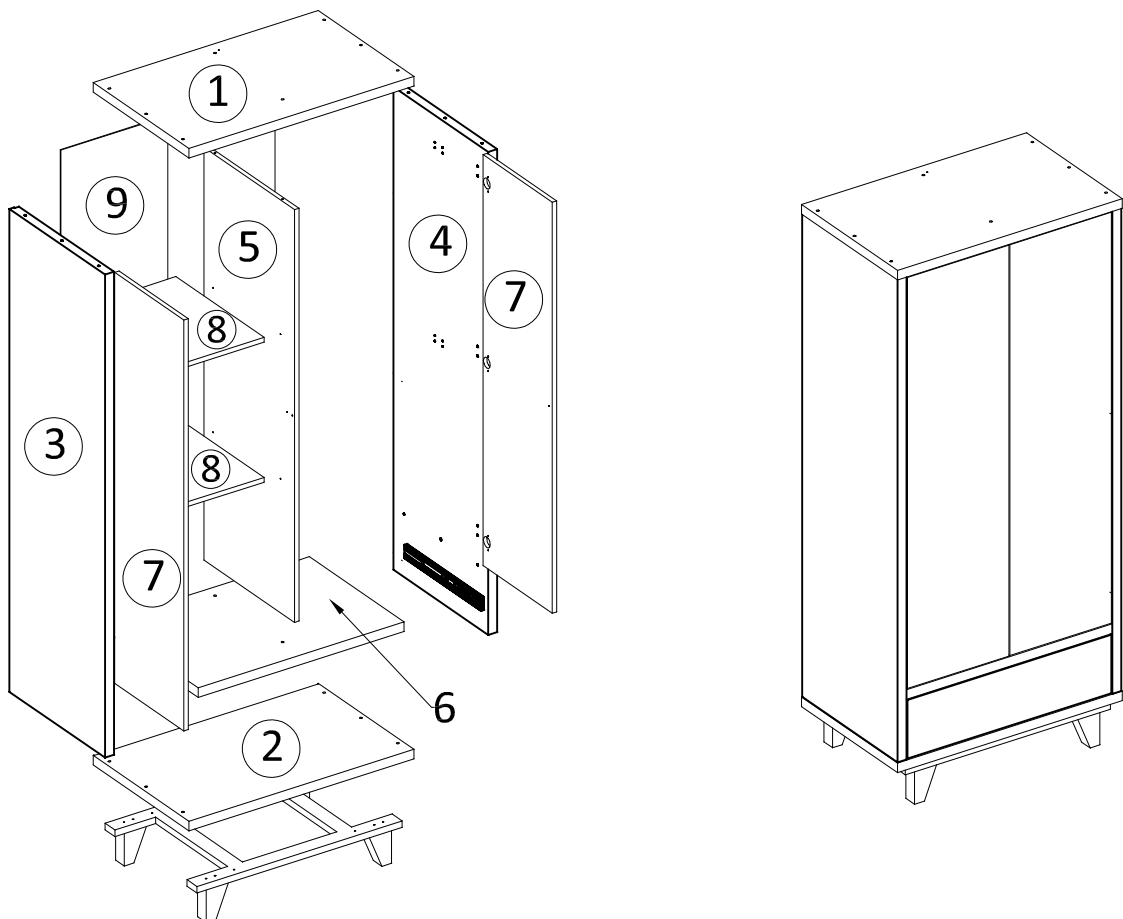


XIV

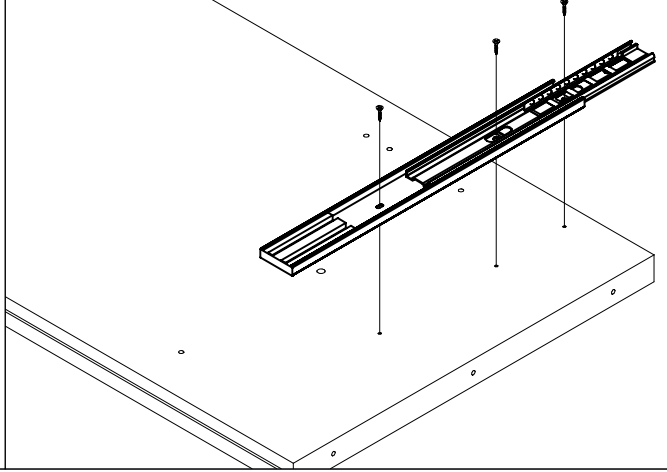
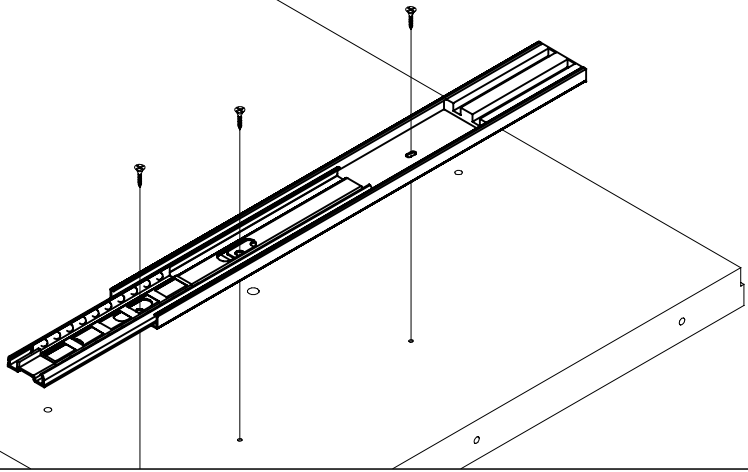
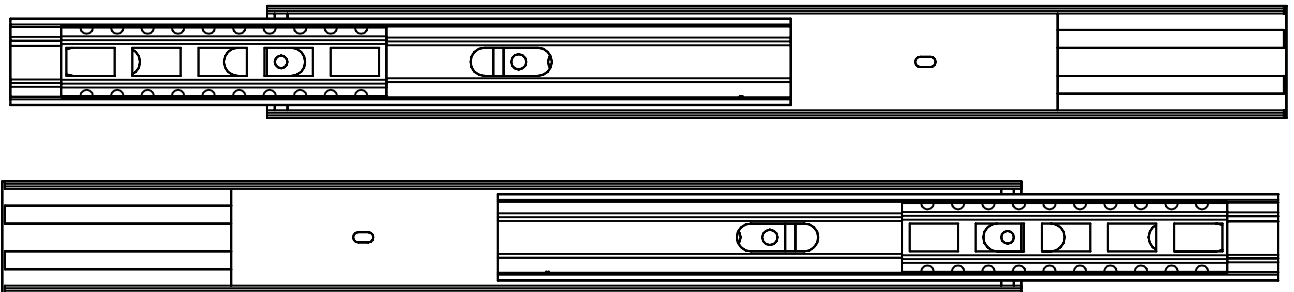
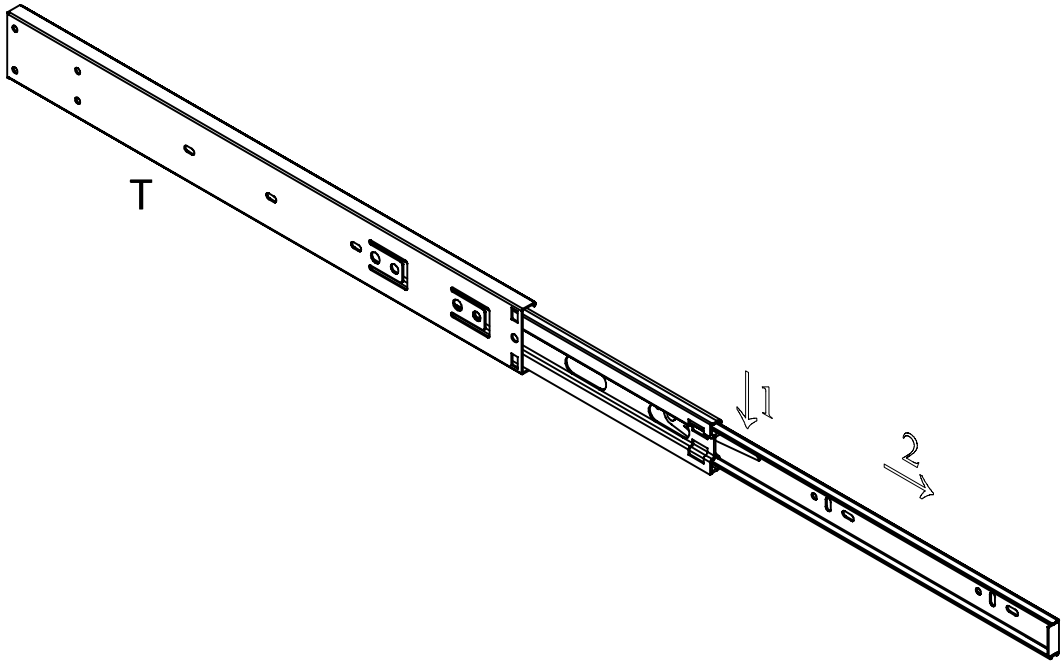




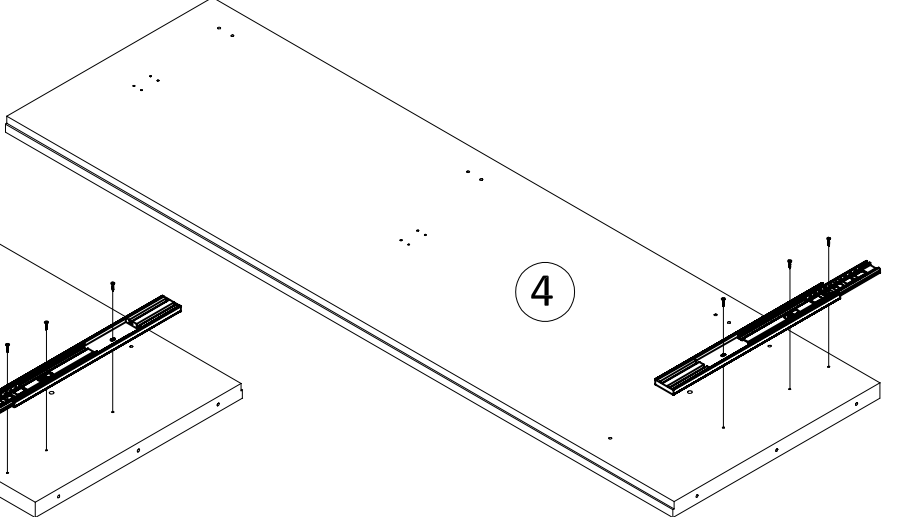
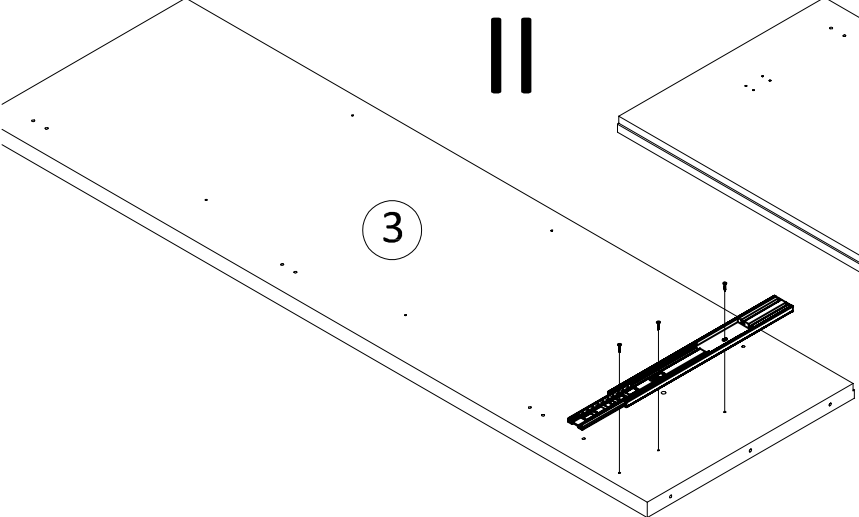
7x34 A 4	7x34x9 B 4	C 8	7x70 D 16	7x50 E 4	8x30 F 10	G 50
H 4	4x45 I 12	J 8	3.5x16 K 21	3.5x13 L 16	M 1	N 1
O 6	P 4	Q 1	R 2	S 2	T 2	
U 2	V 2	W 4	X 4	Y 2		

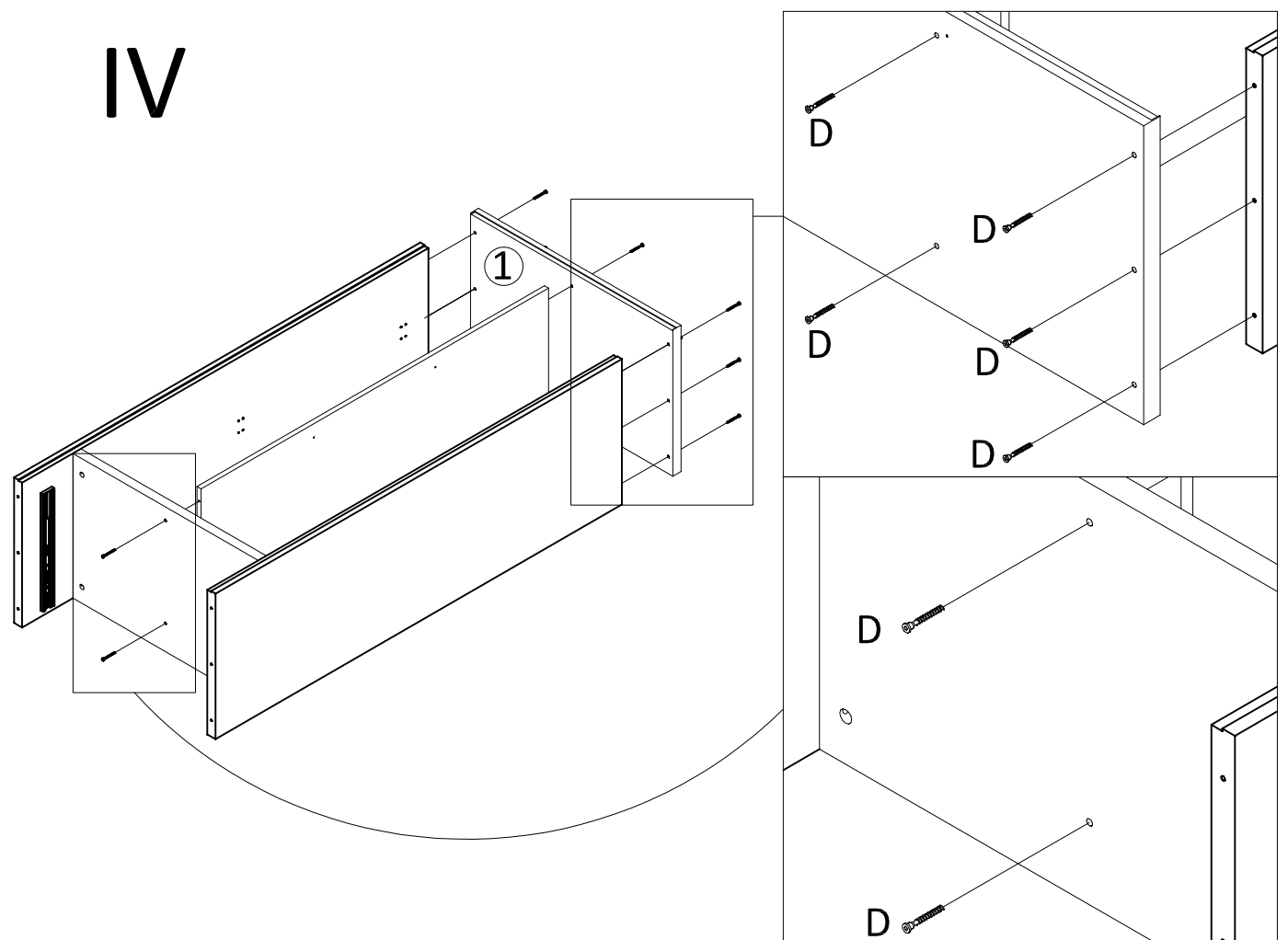
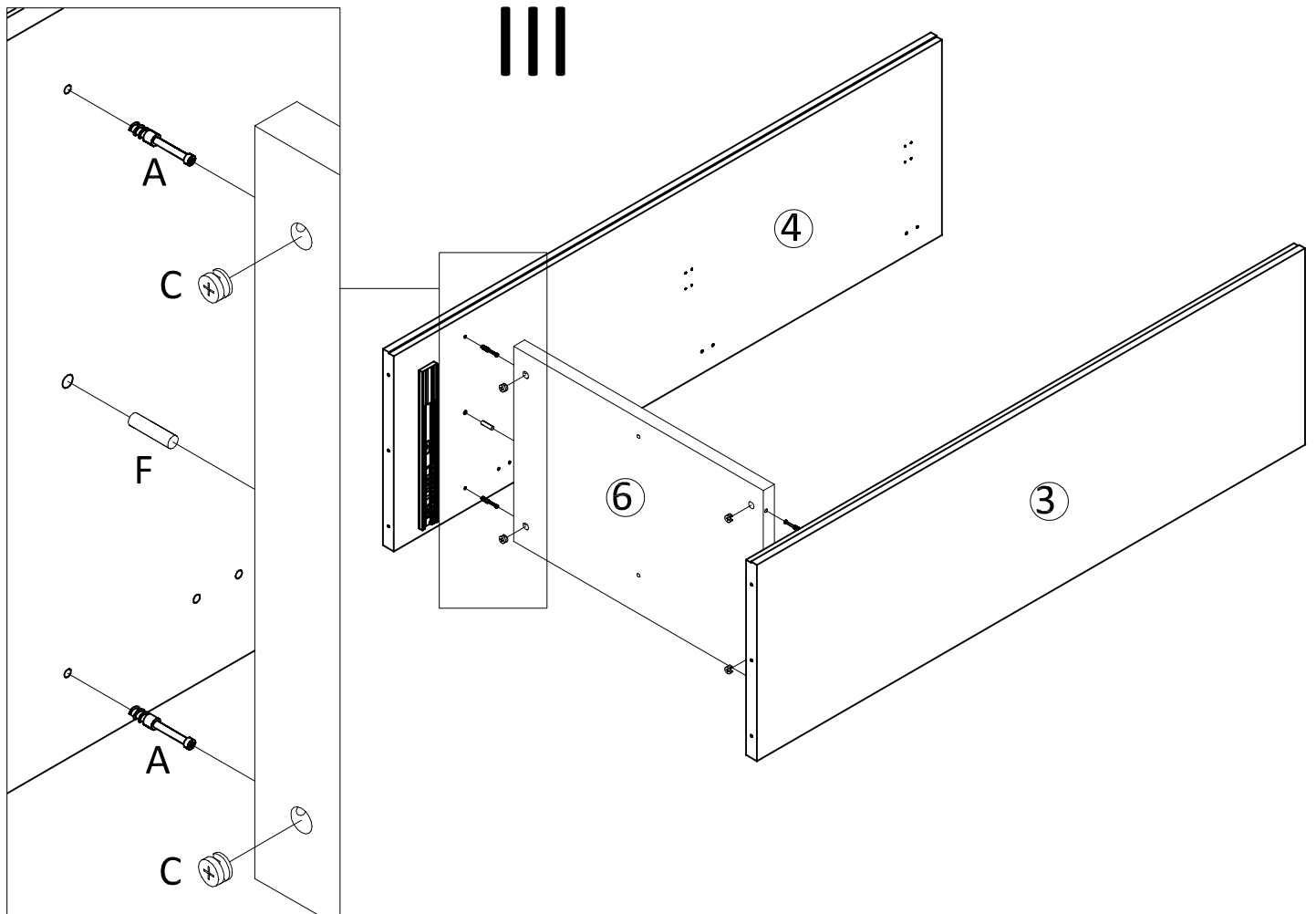


I

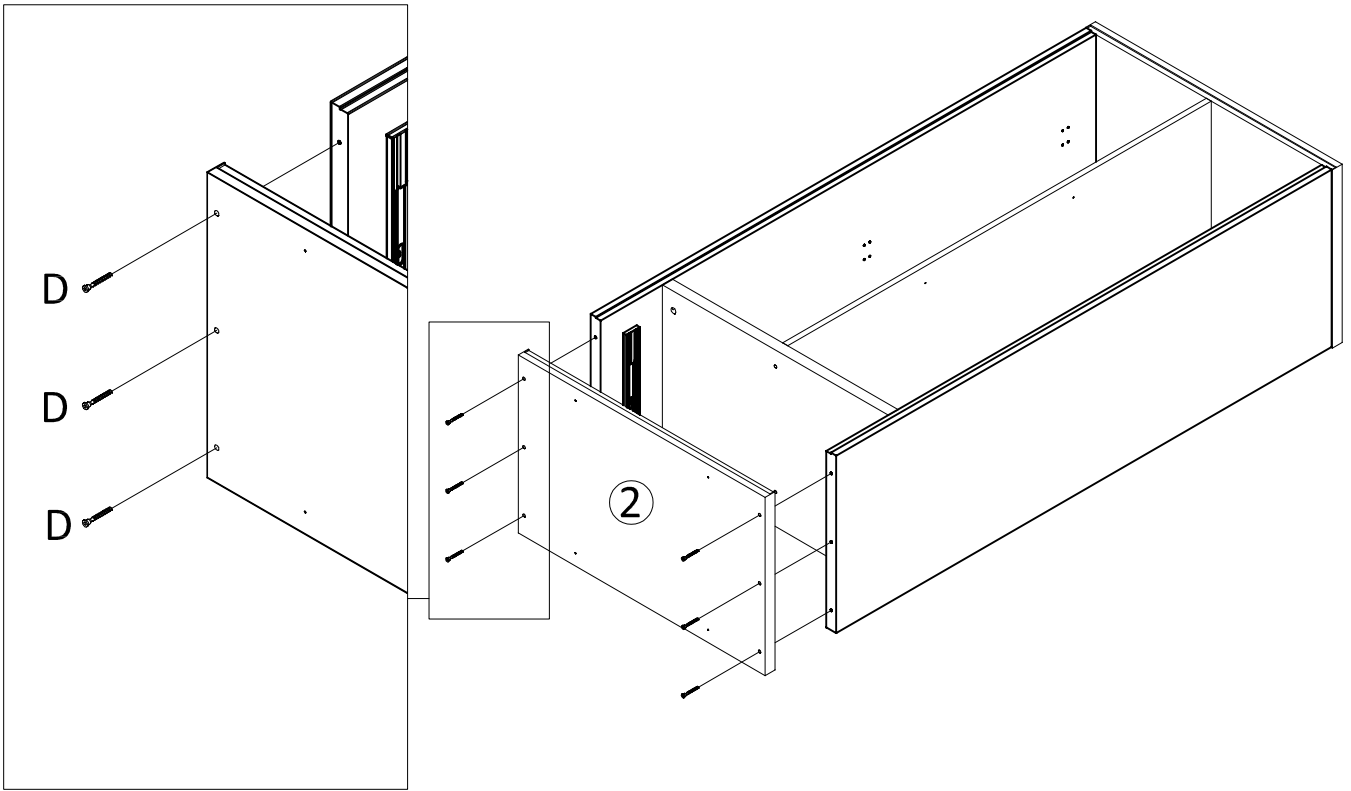


II

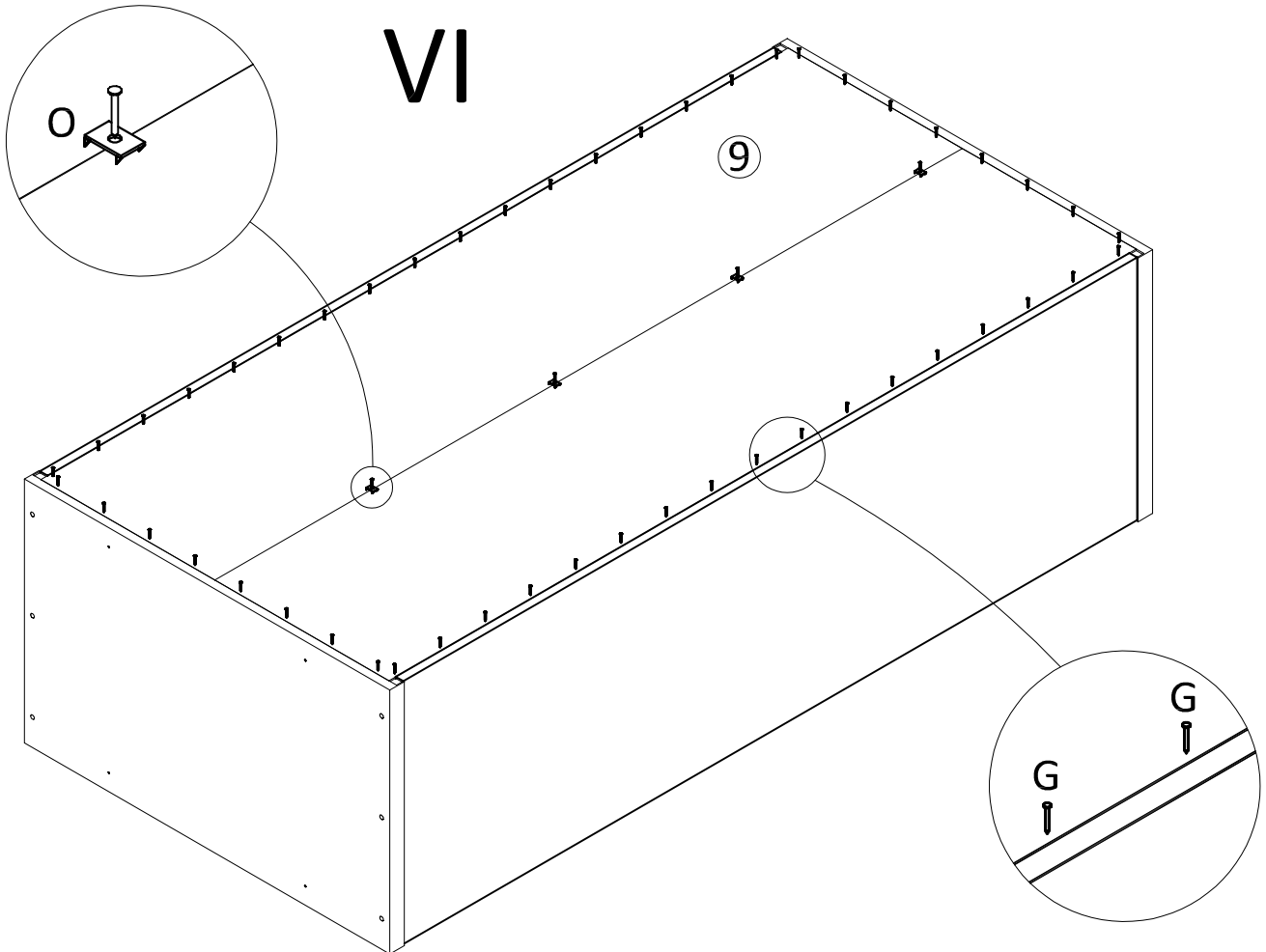




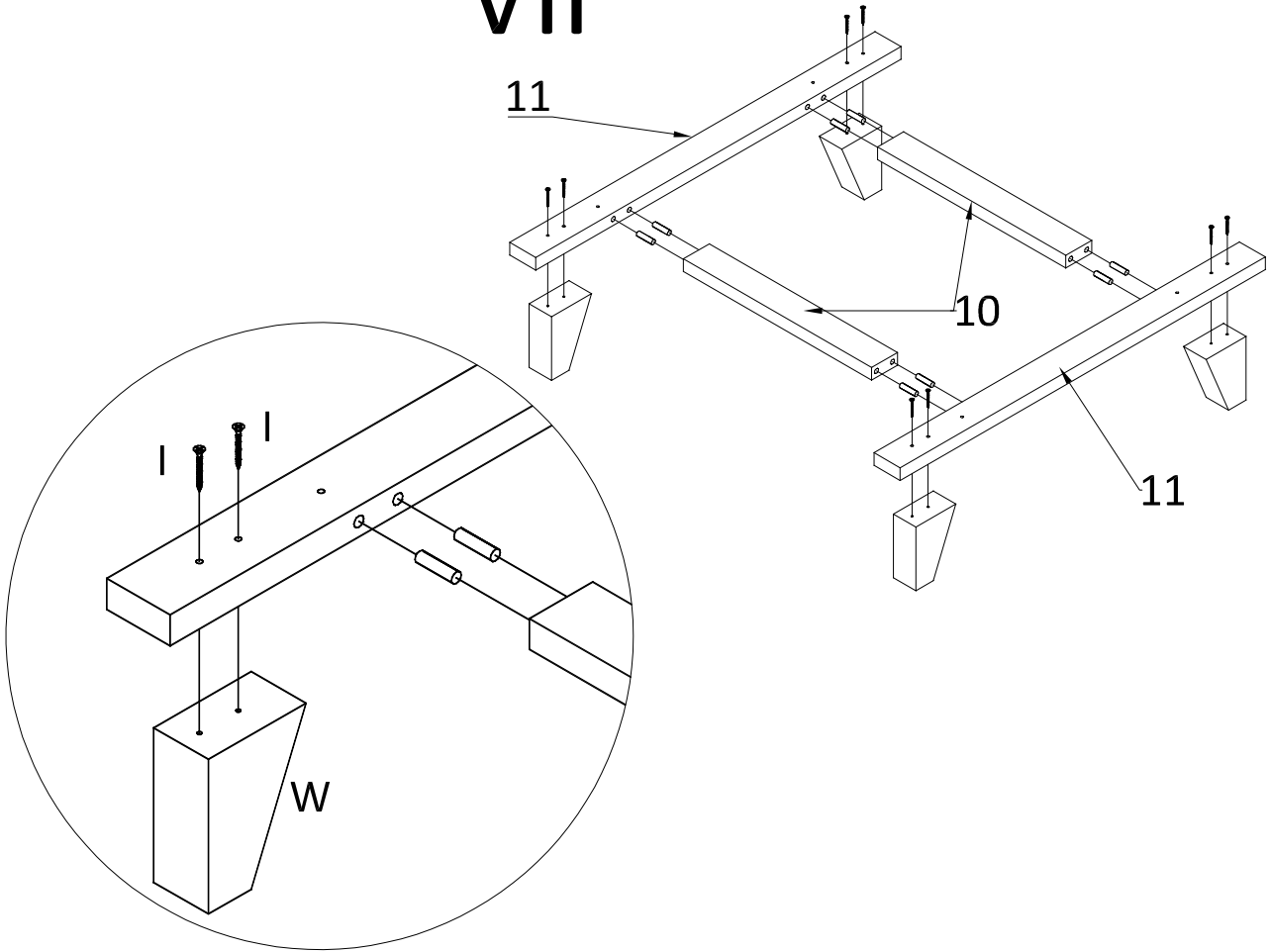
V



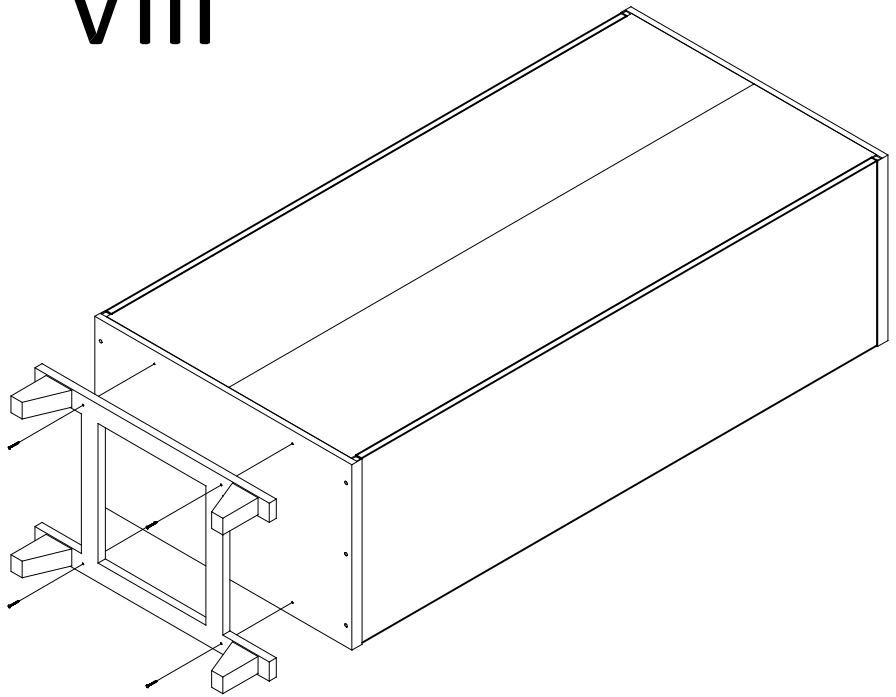
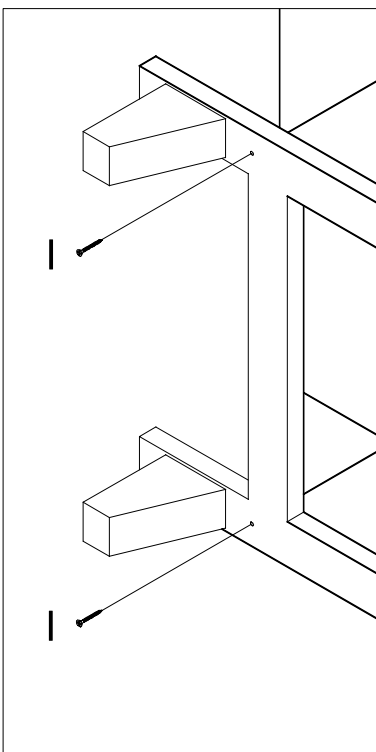
VI



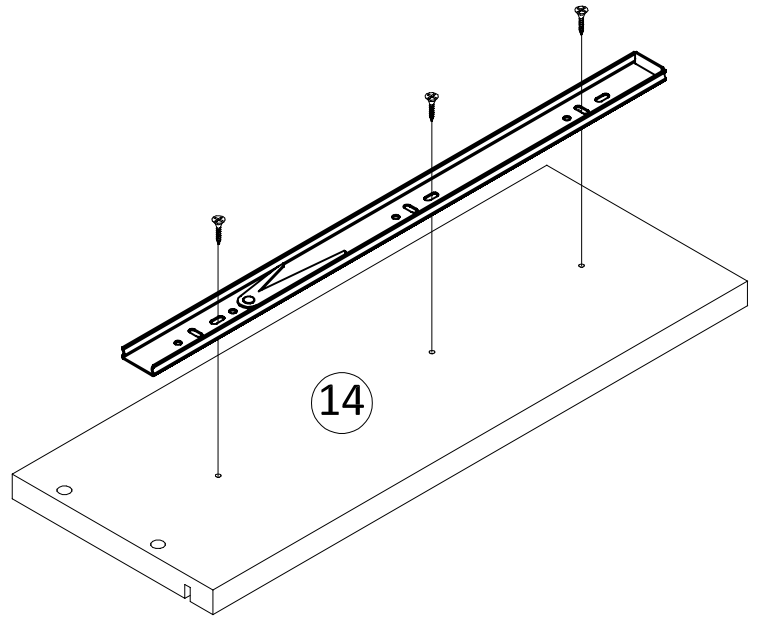
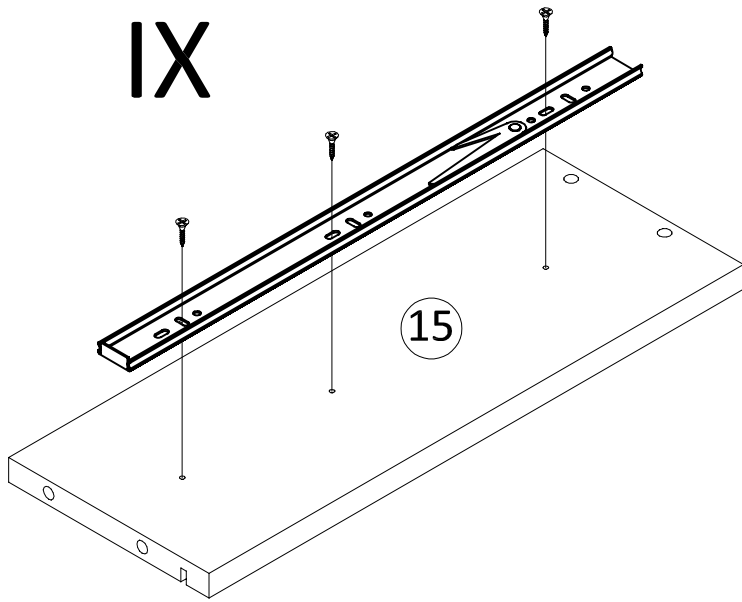
VII



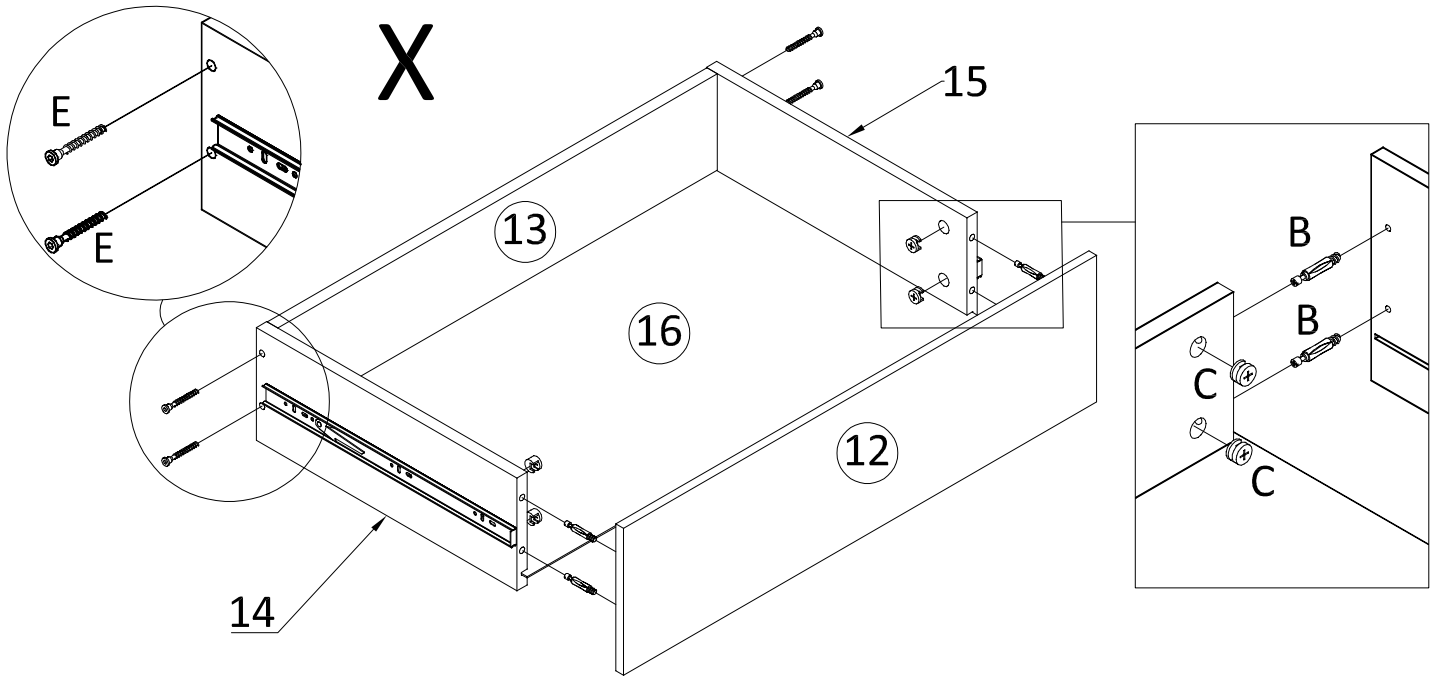
VIII



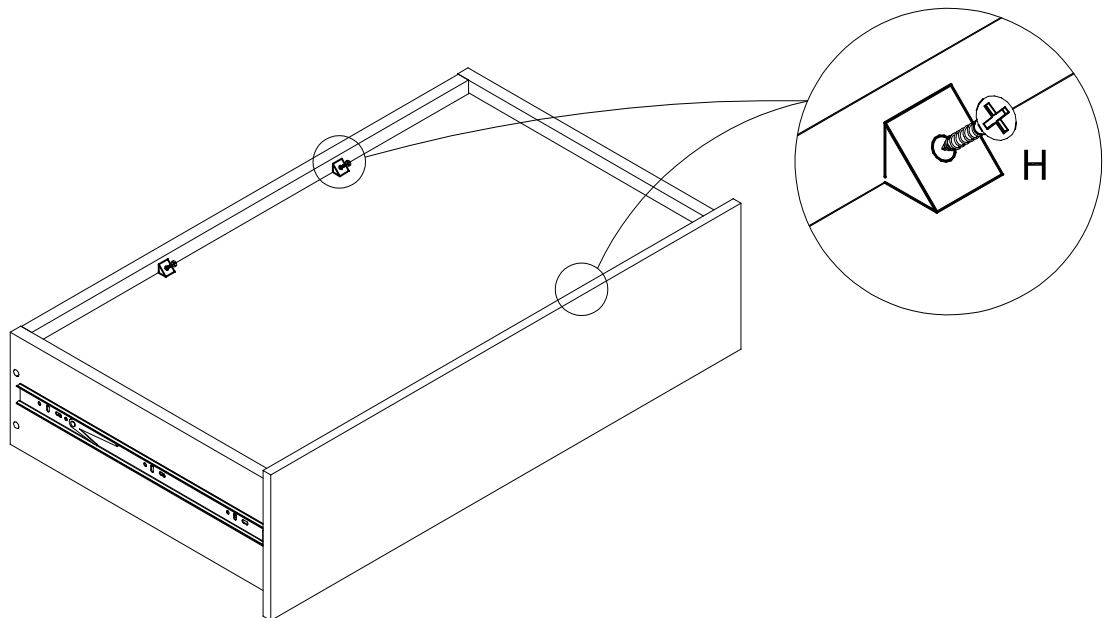
IX



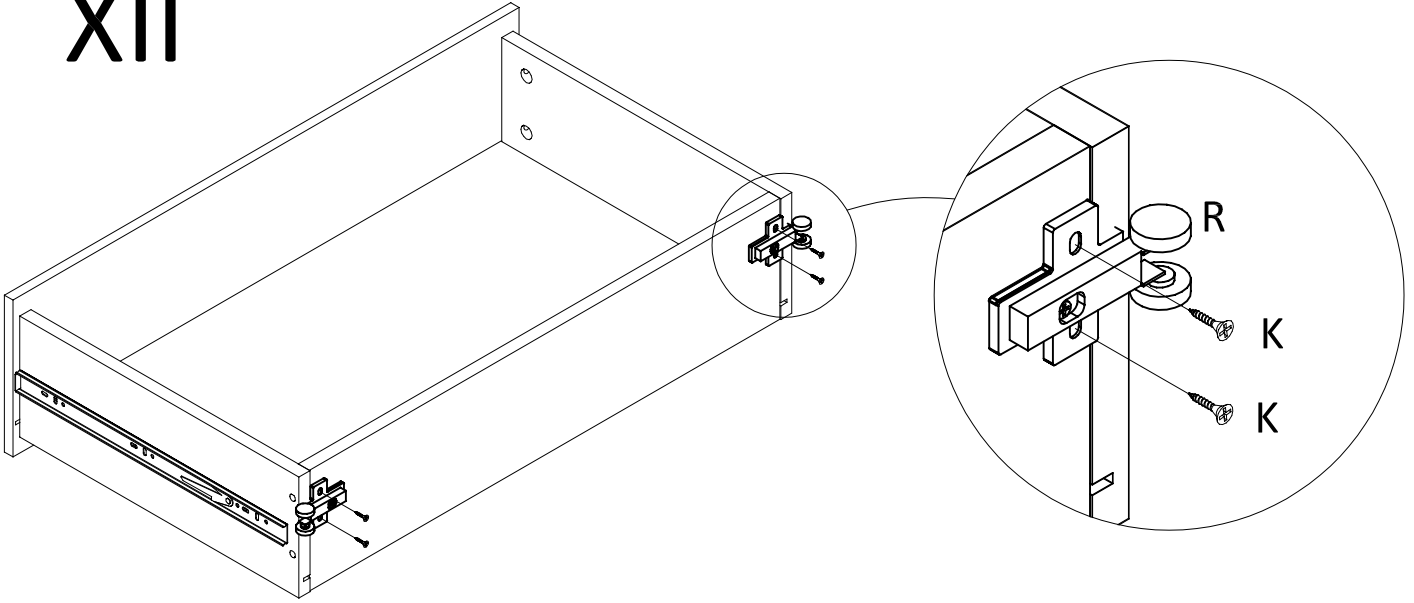
X



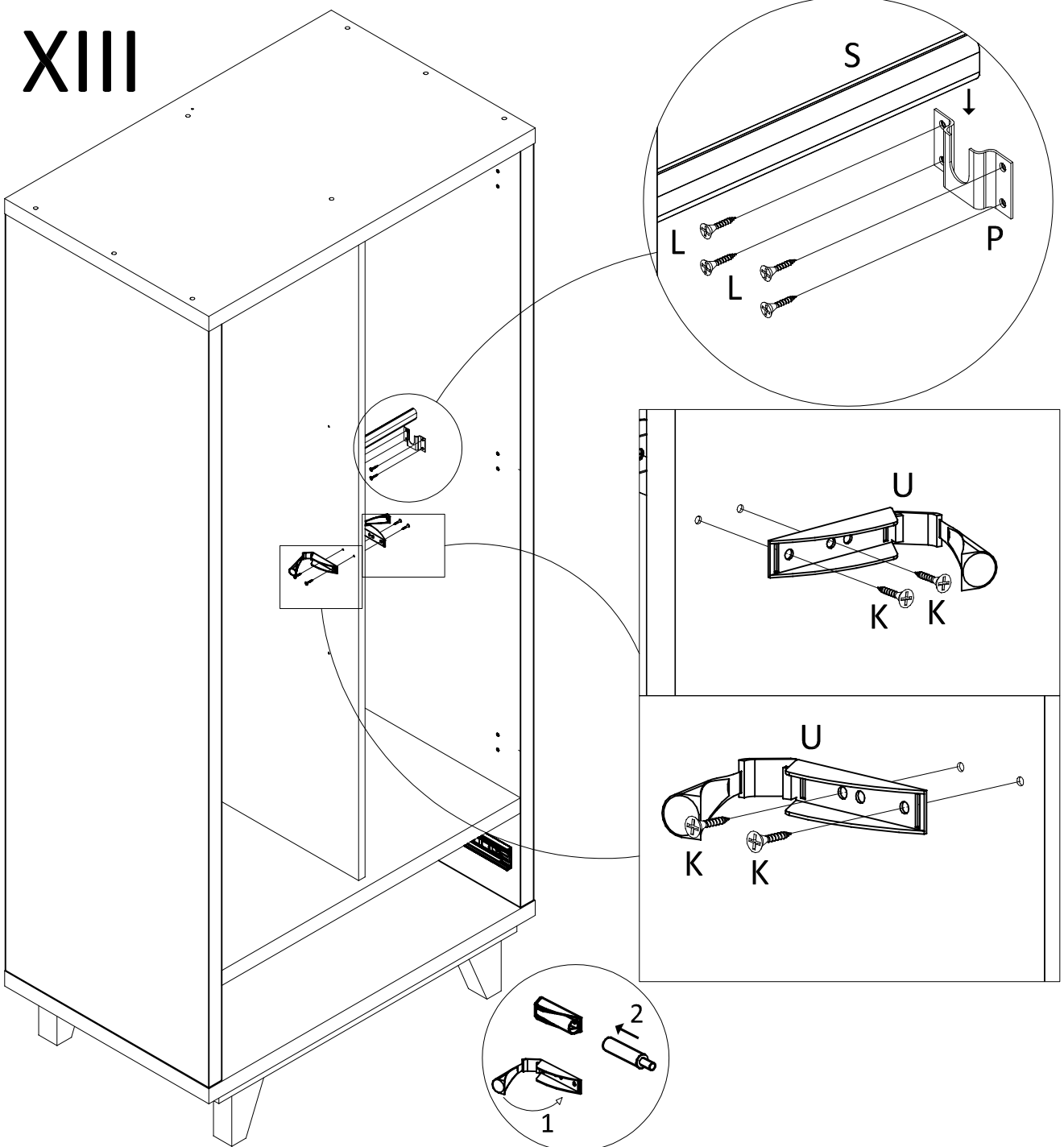
XI



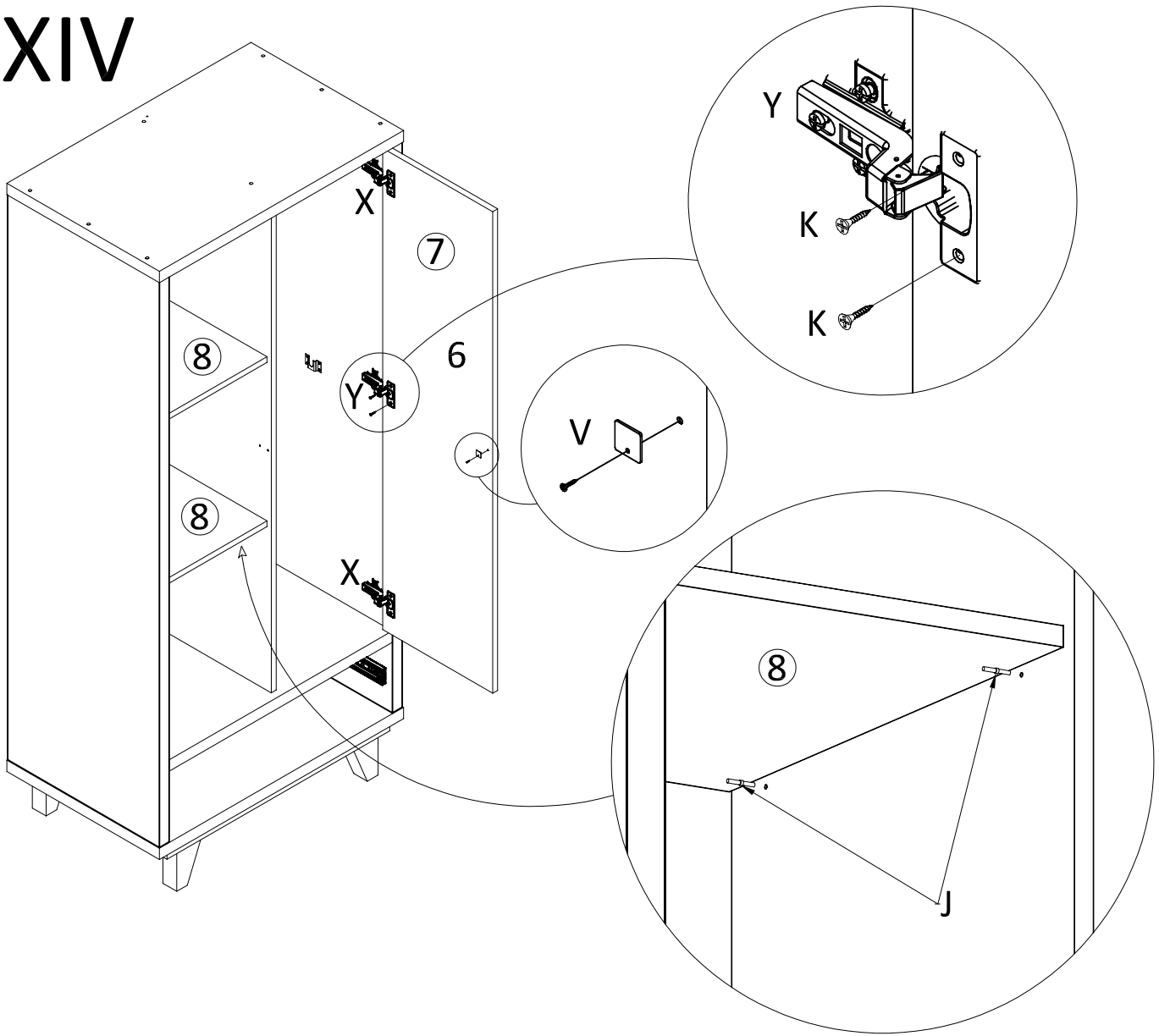
XII



XIII



XIV



XV

