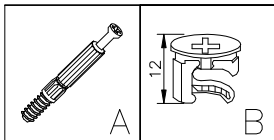


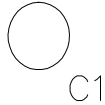
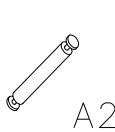
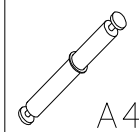
6

MAX
5kg



10

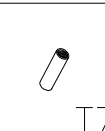
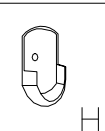
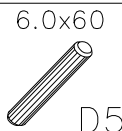
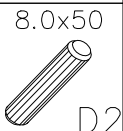
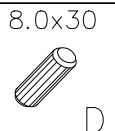
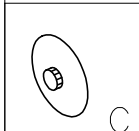
34



2

10

12



34

10

2

4

8

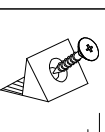
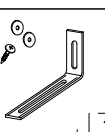
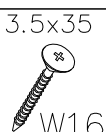
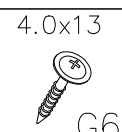
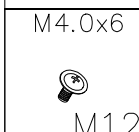
4

4

12

12

6



12

12

12

2

2

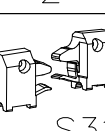
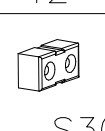
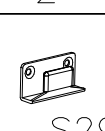
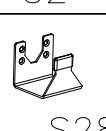
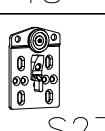
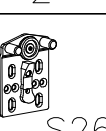
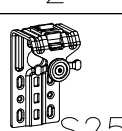
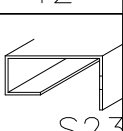
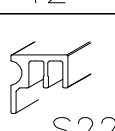
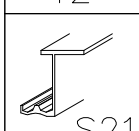
18

32

2

12

2



1

1

2

2

1

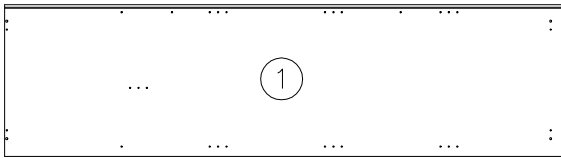
1

2

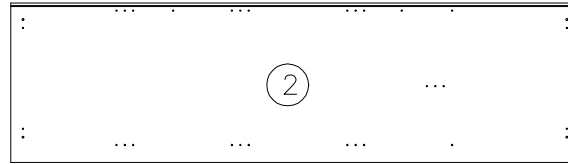
2

2

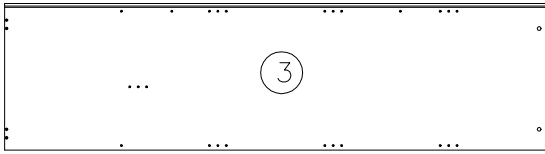
1



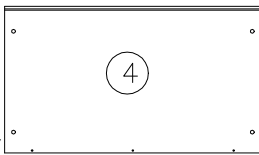
2128x578x15



2128x607x15

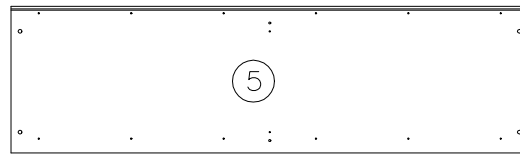


2071x558x15

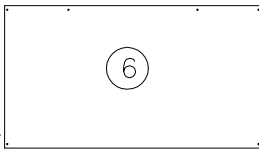


x2

978x558x15



1971x558x18



x2

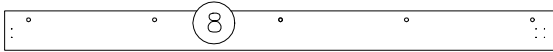
978x542x22



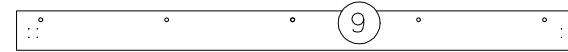
1971x108x38



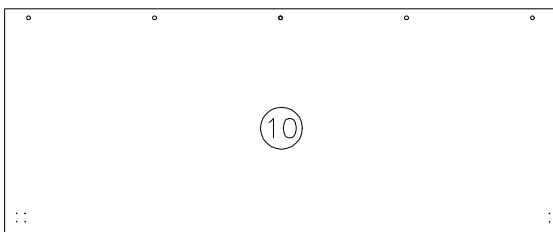
1971x52x38



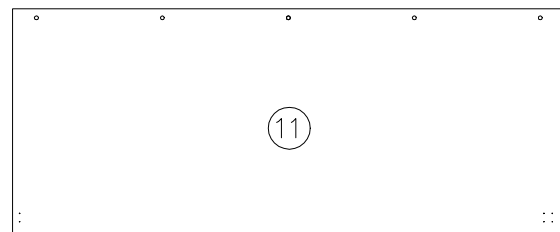
2103x150x22



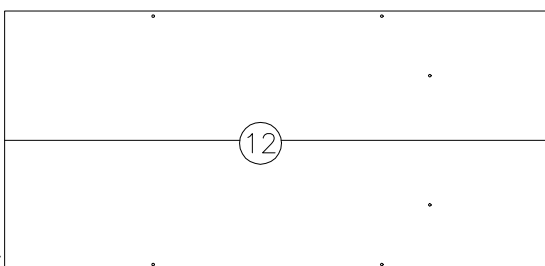
2103x150x22



2103x860x15

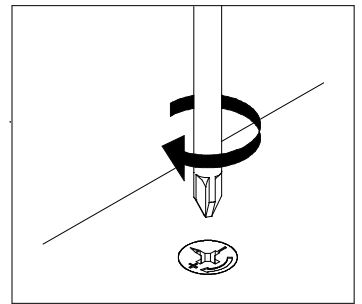
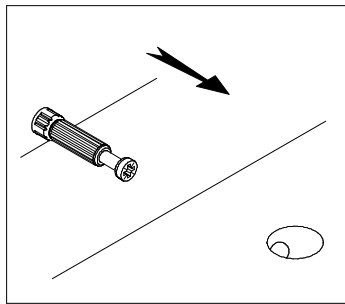


2103x860x15

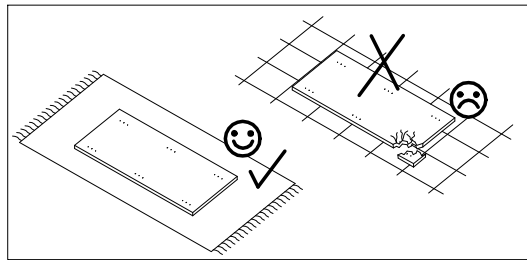



x2

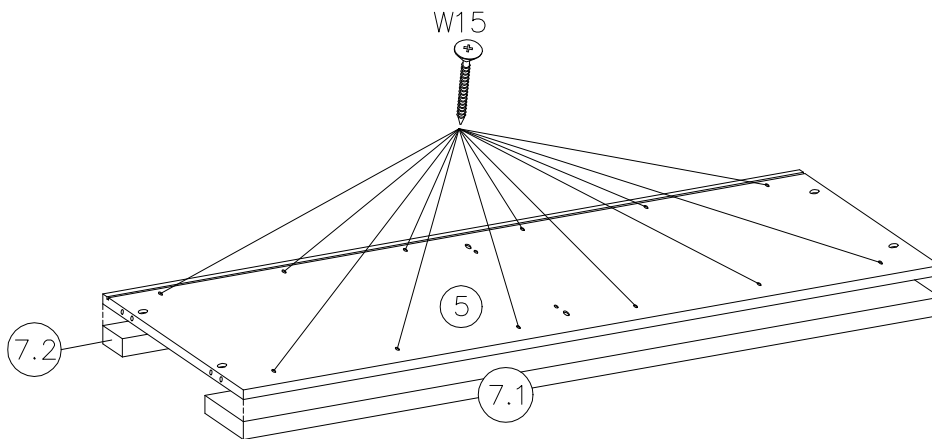
2063x985x3




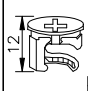

1

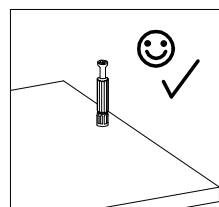
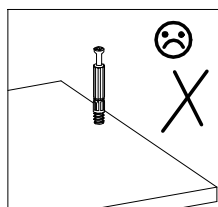
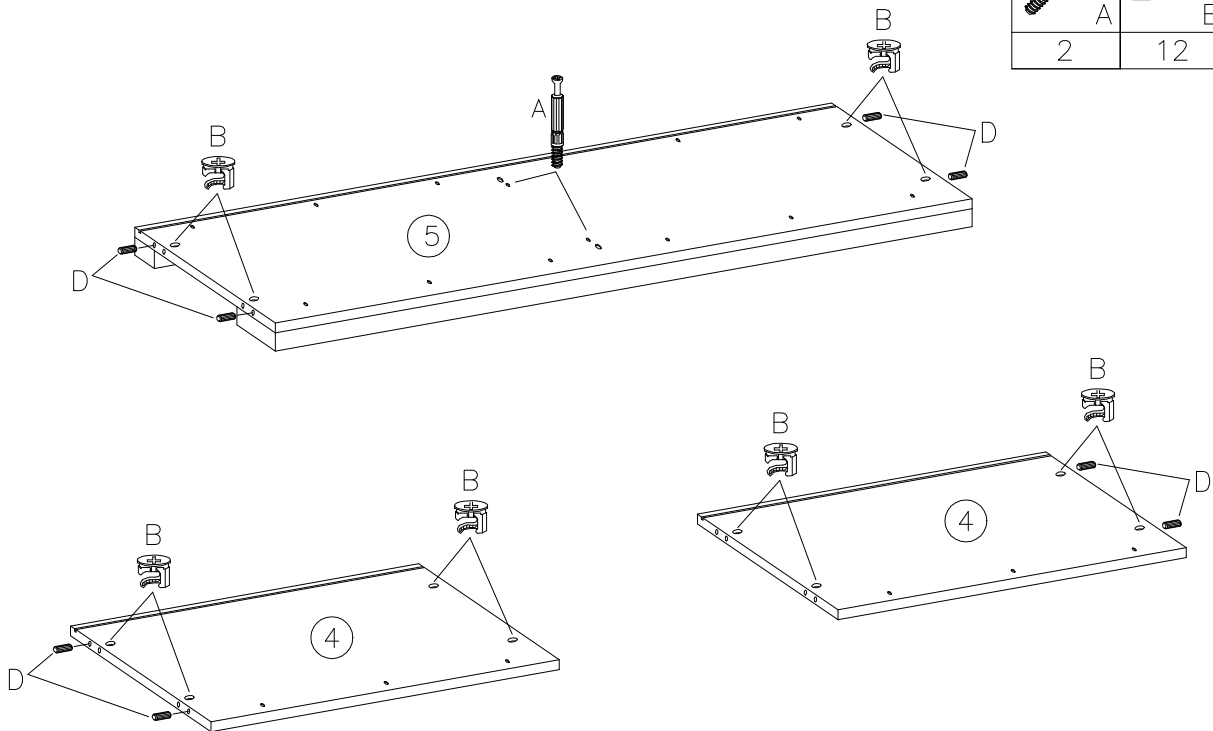


3.5x45

W15
12


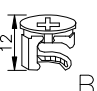


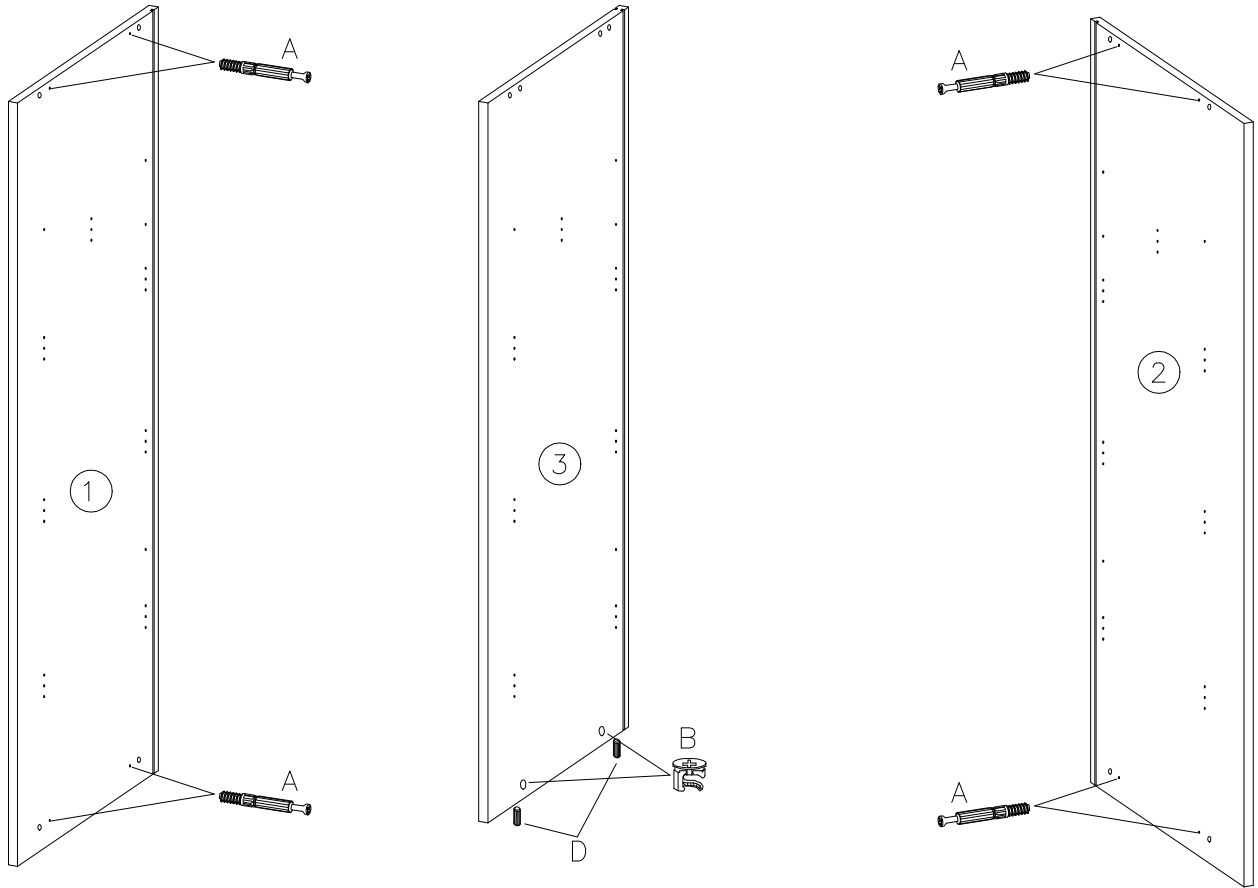
2

		
A	B	D
2	12	8




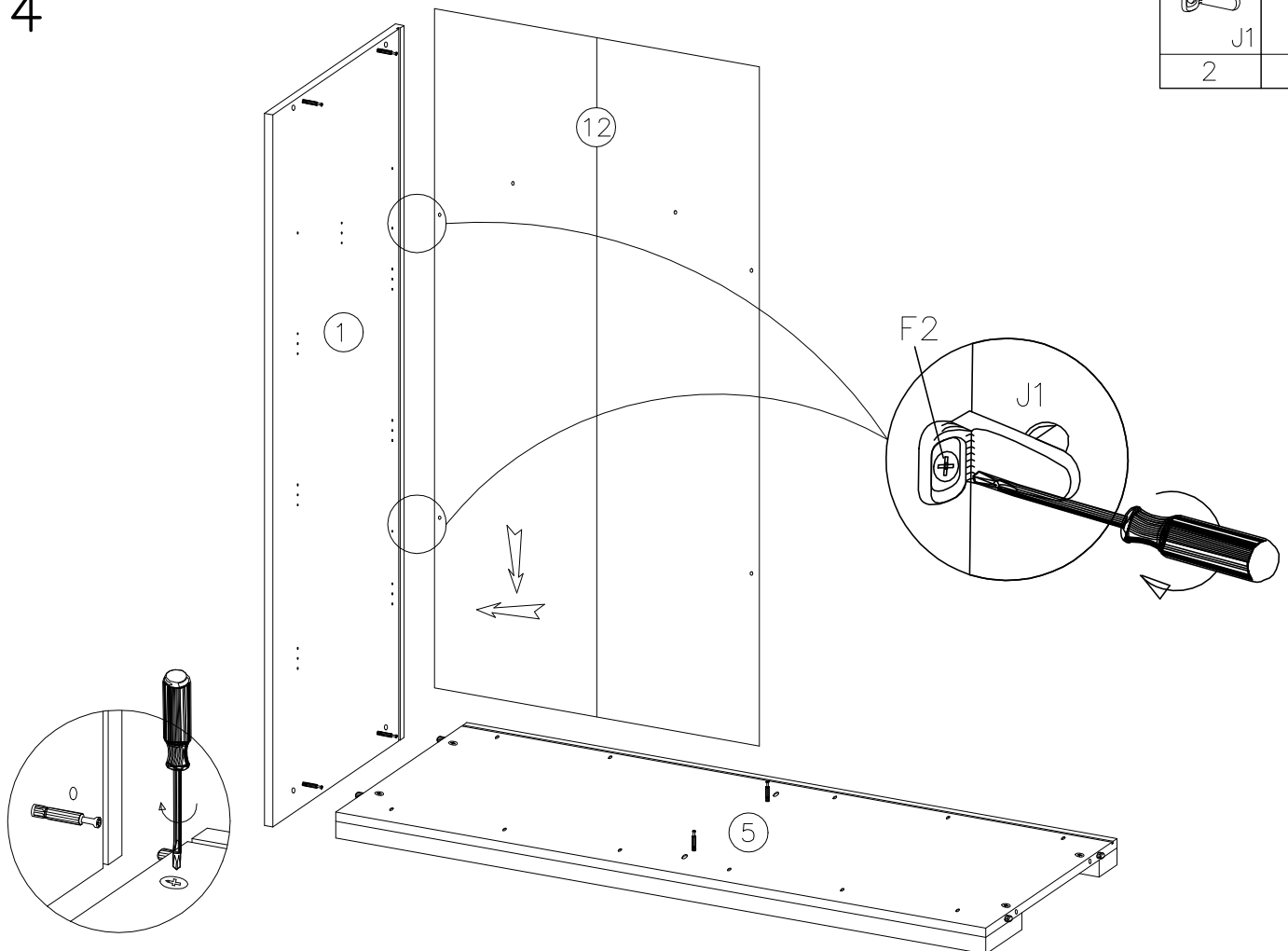
3

		8.0x30
A	B	
8	2	2

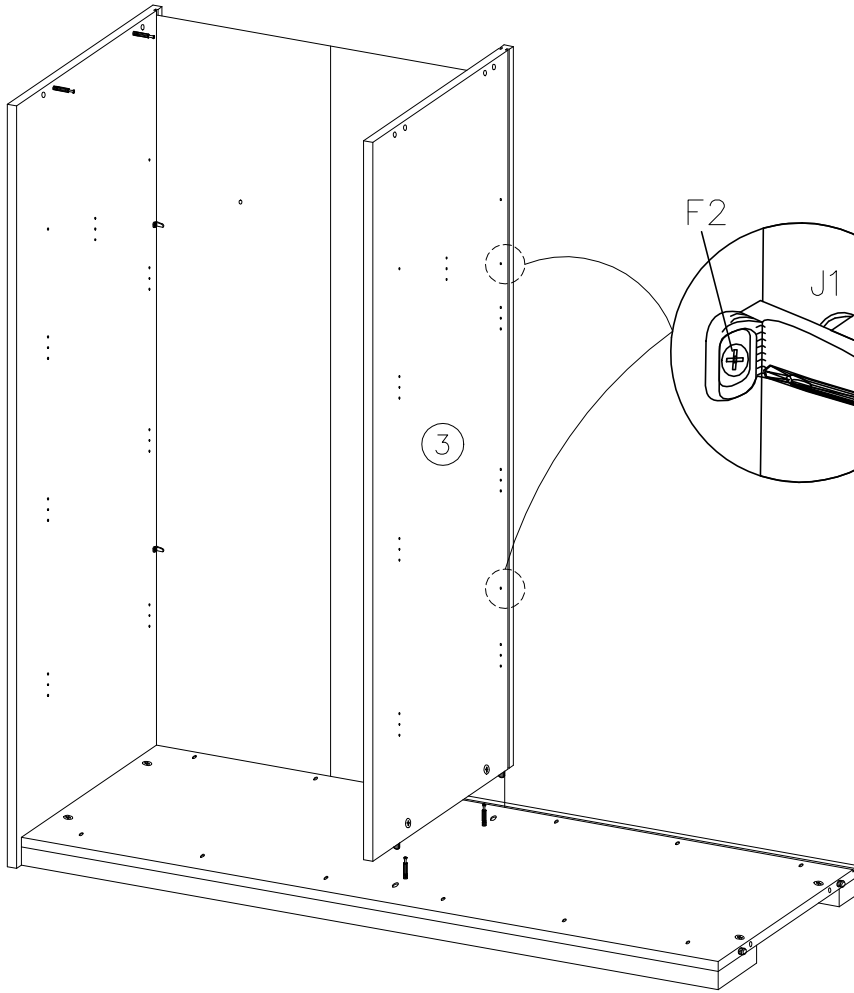


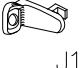
4

	6.3x11
J1	F2
2	2

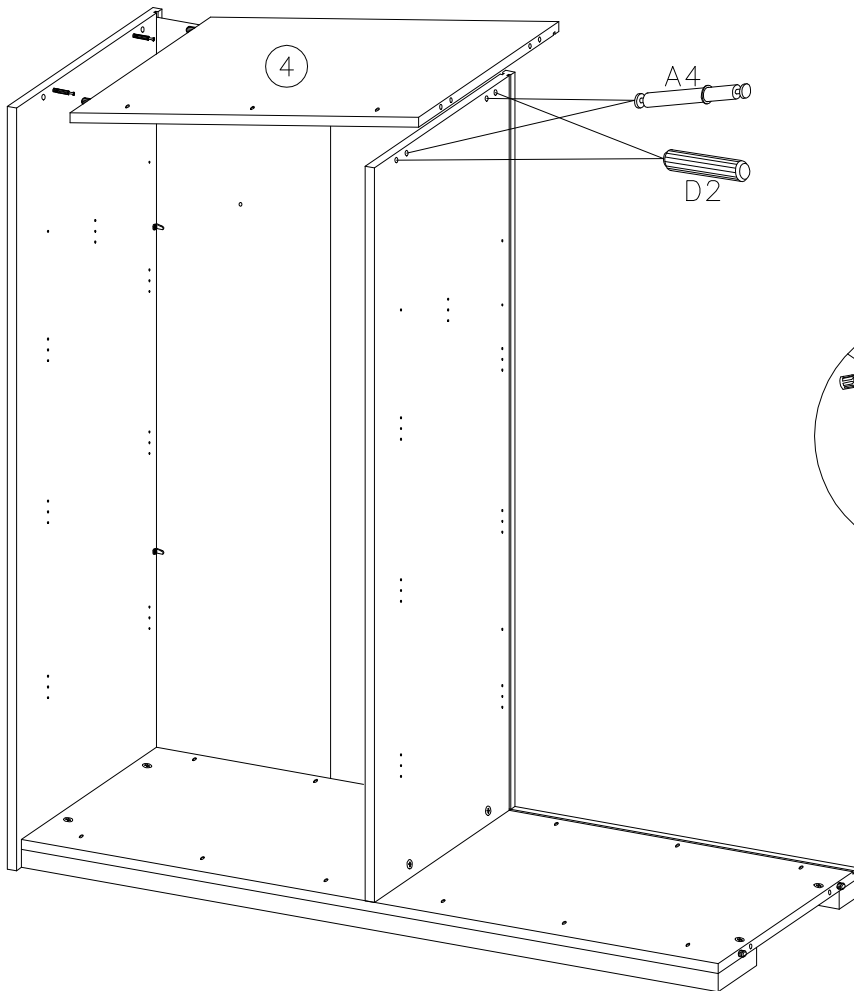


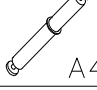
5



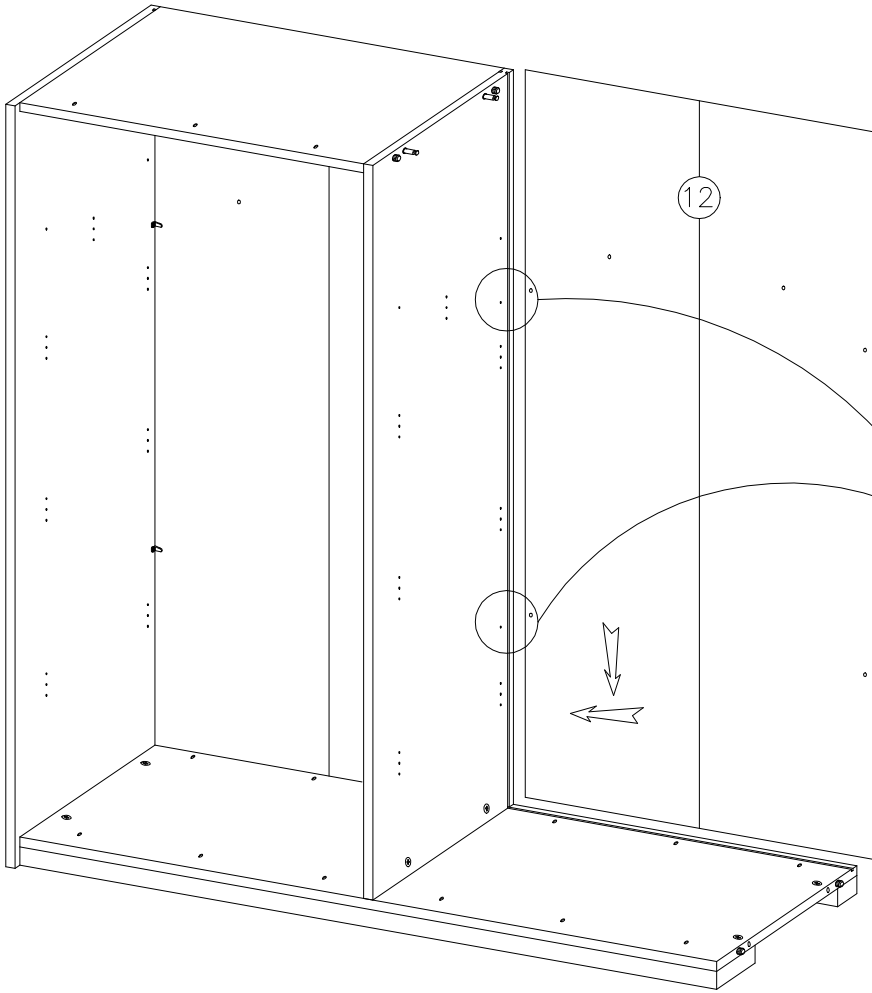
	6.3x11
J1	F2
2	2

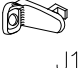
6



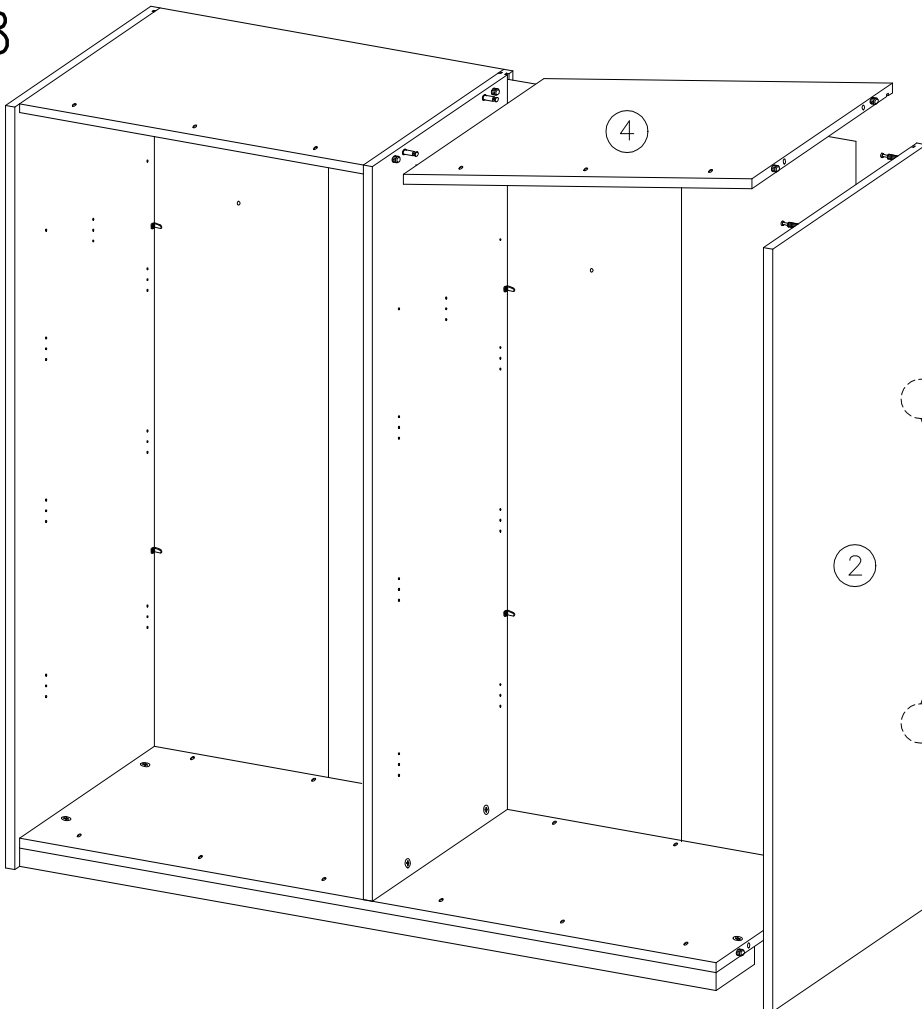
	8.0x50
A4	D2
2	2

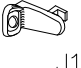
7




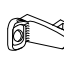

	6.3x11
J1	F2
2	2

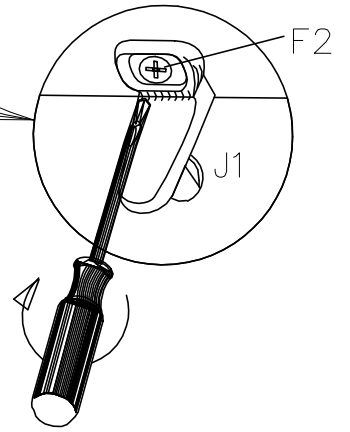
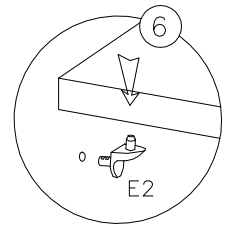
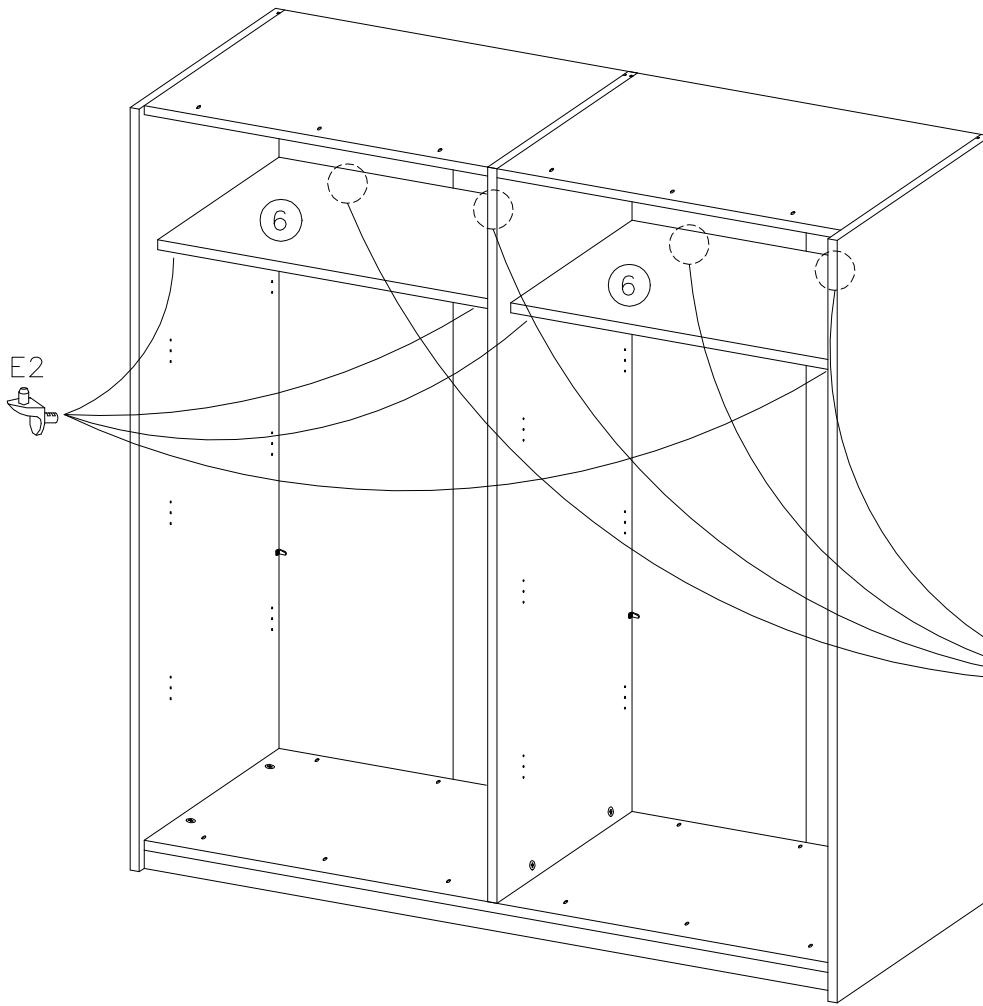
8





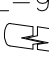

	6.3x11
J1	F2
2	2

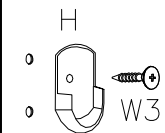
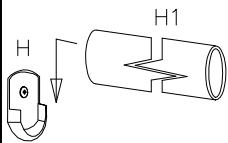
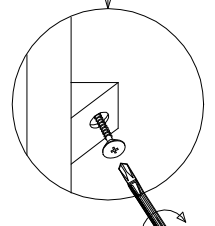
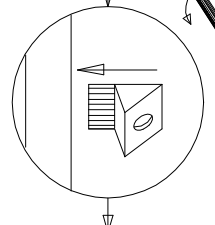
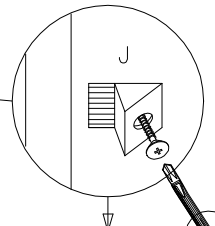
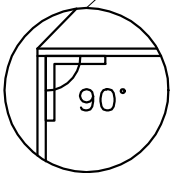
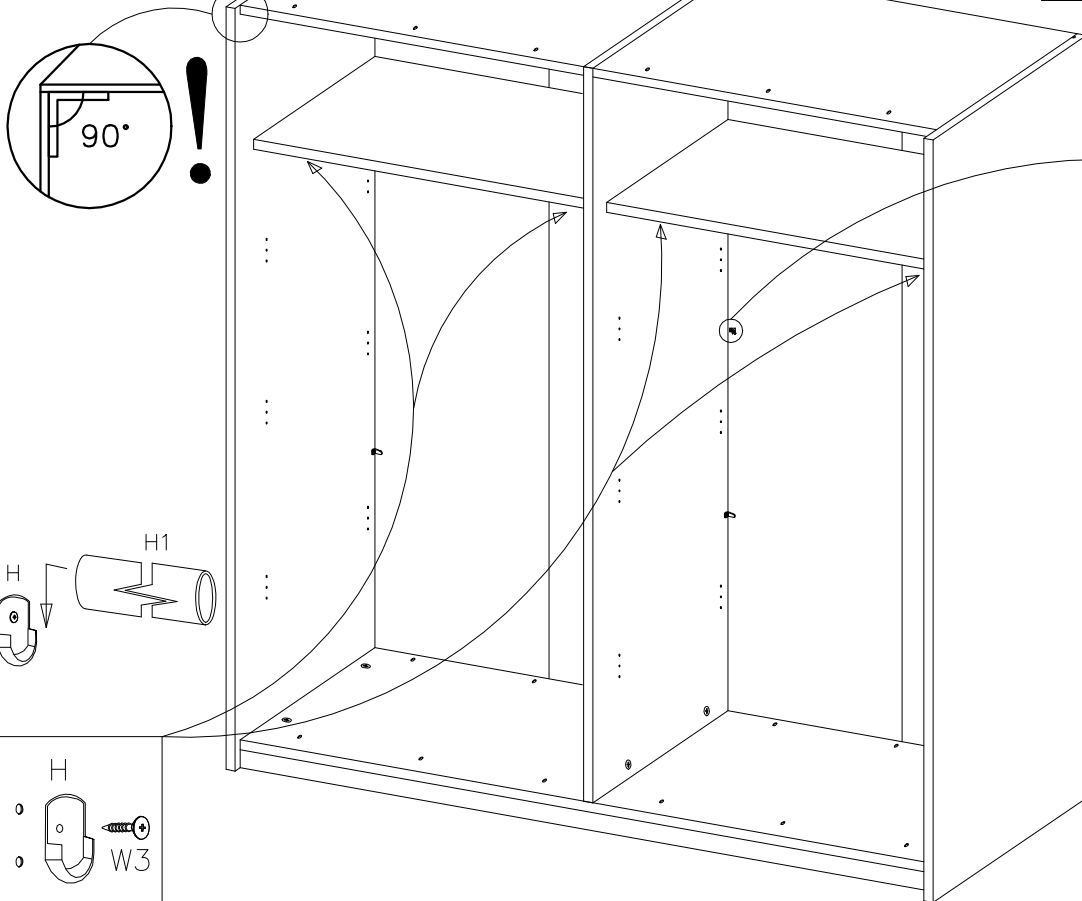
9

		6.3x11 
E2	J1	F2
8	4	4


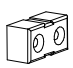


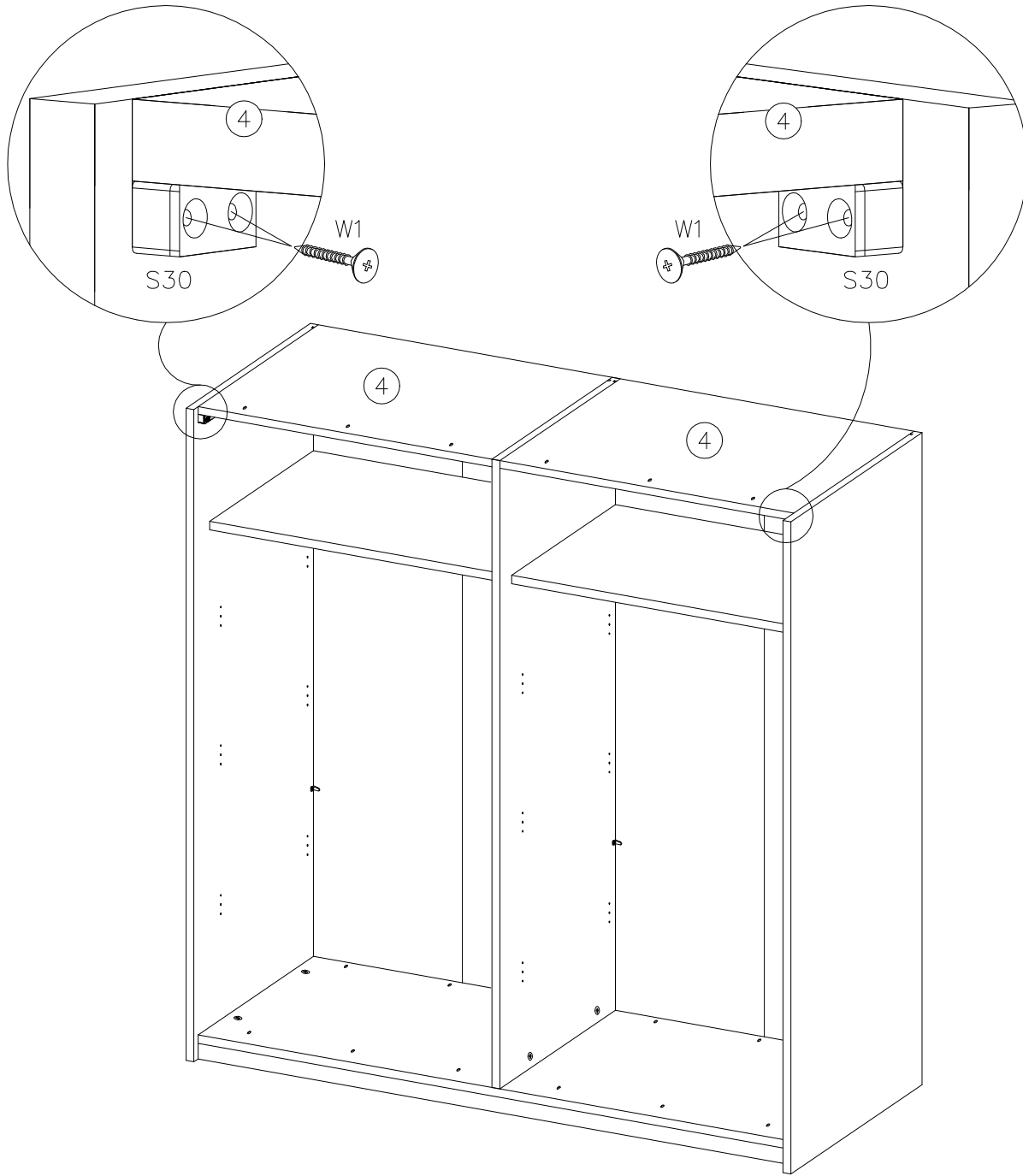
10

	3.0x13 	L-969 	
H	W3	H1	J
4	4	2	12



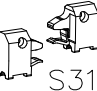


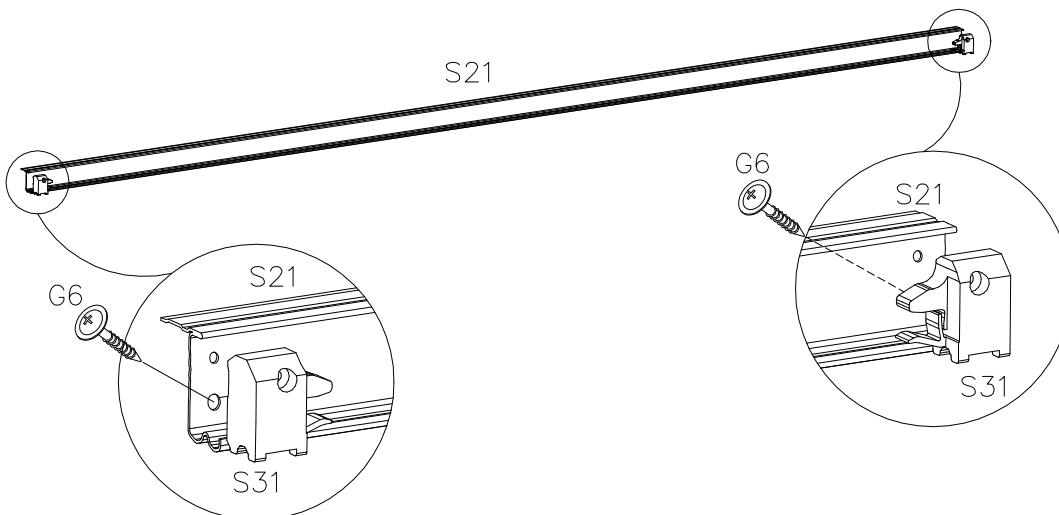
11

3.5x25		
	W1	S30
4		2

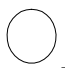






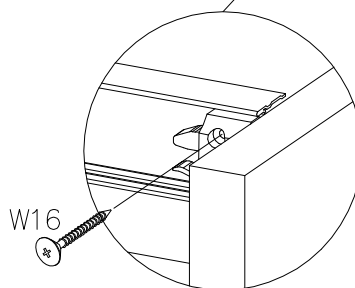
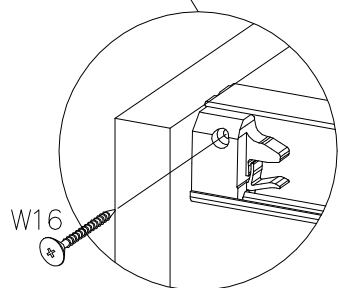
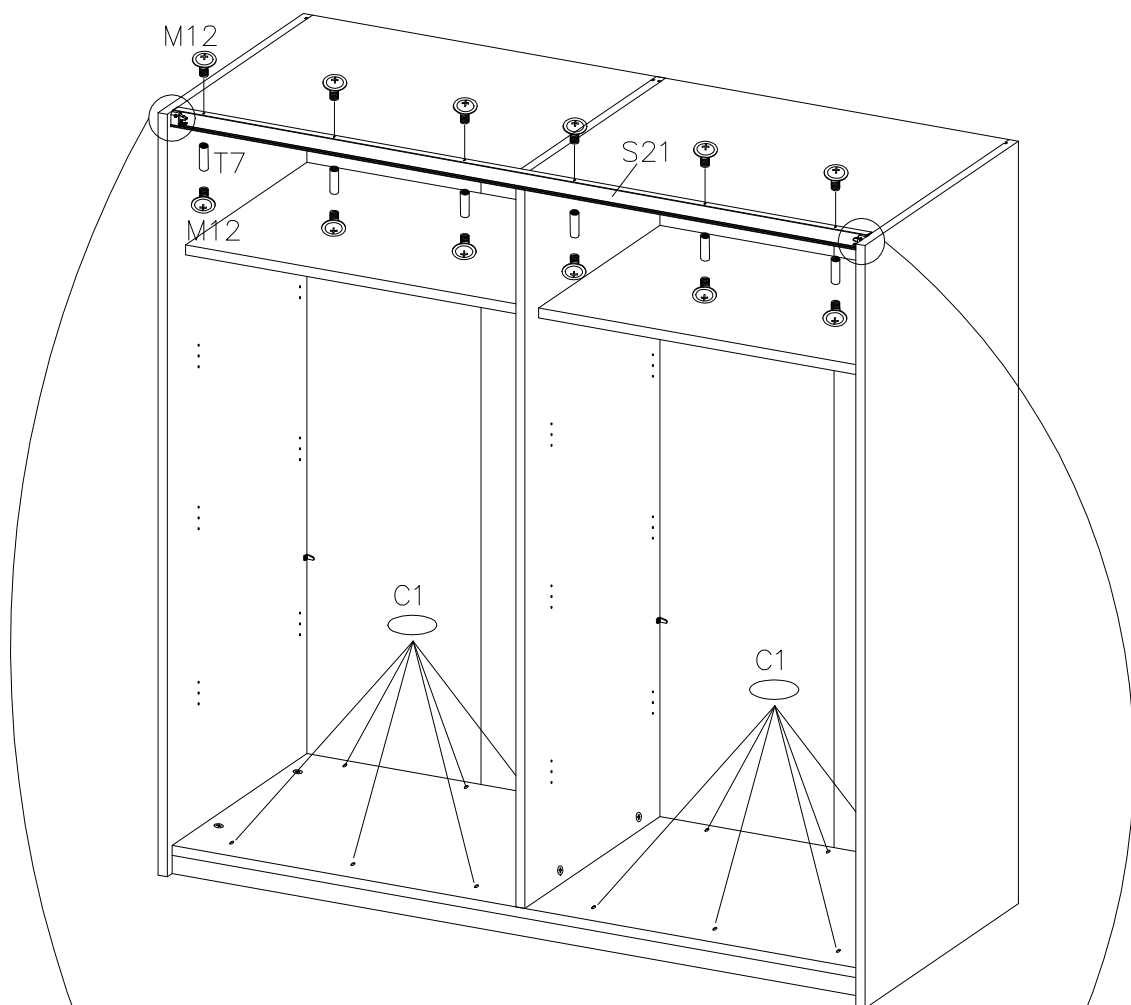
12



4.0x13			
	G6	S21	S31
2		1	1

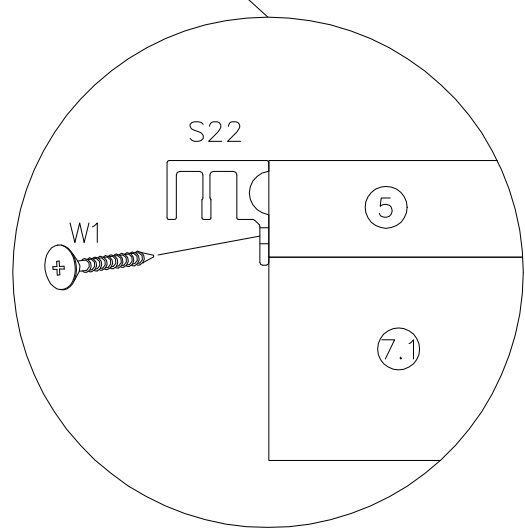
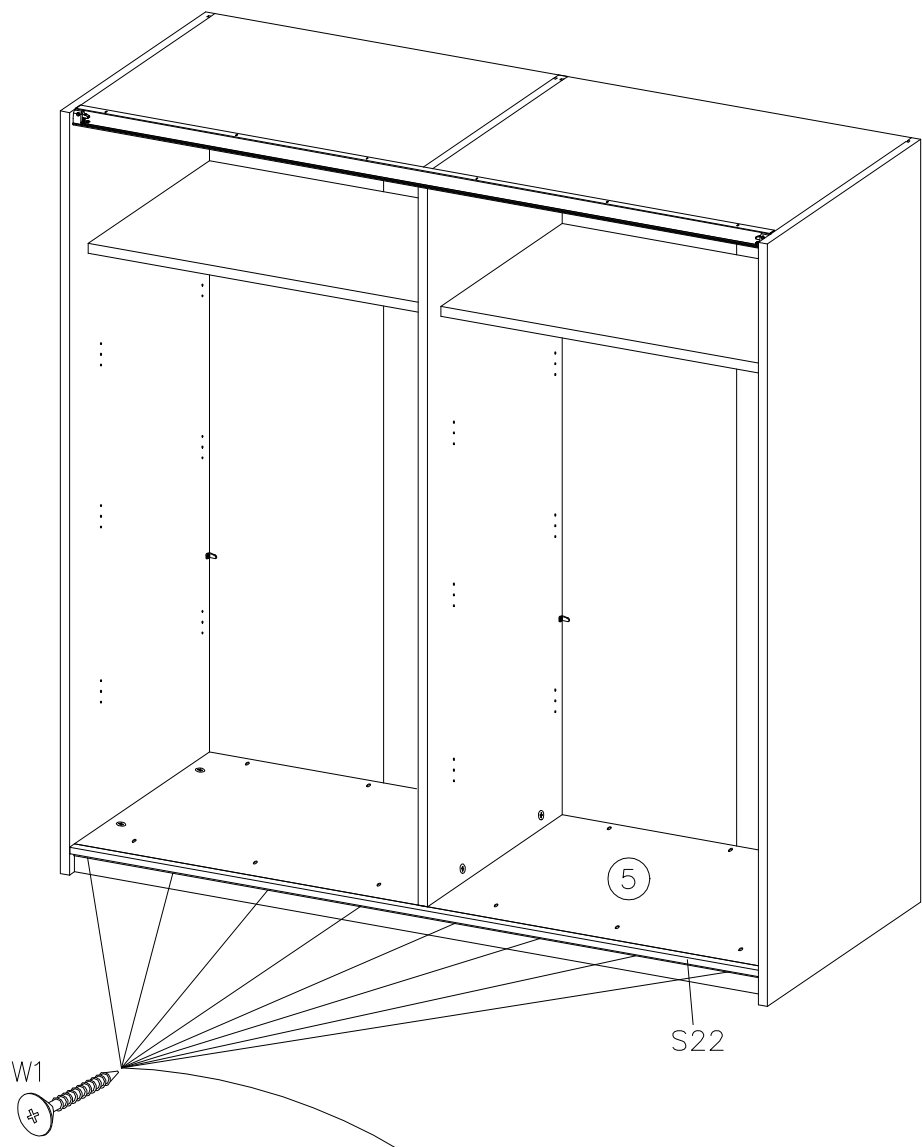


13


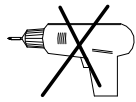


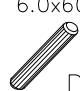


 C1	 T7	 M4.0x6	 3.5x35	 S21
12	6	12	2	1

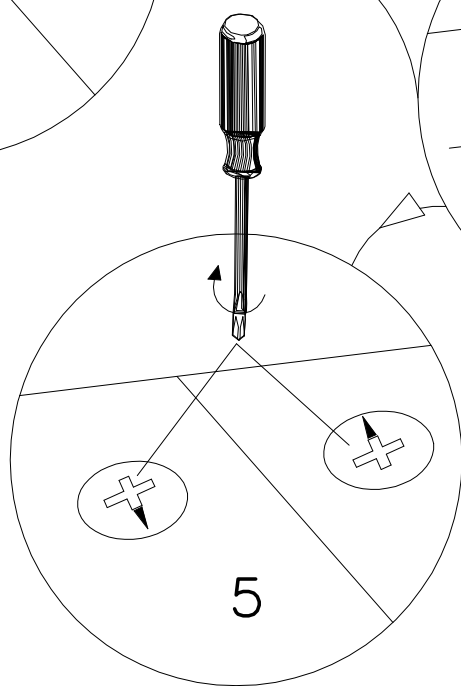
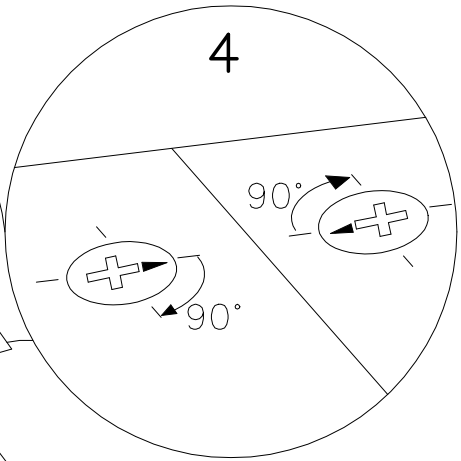
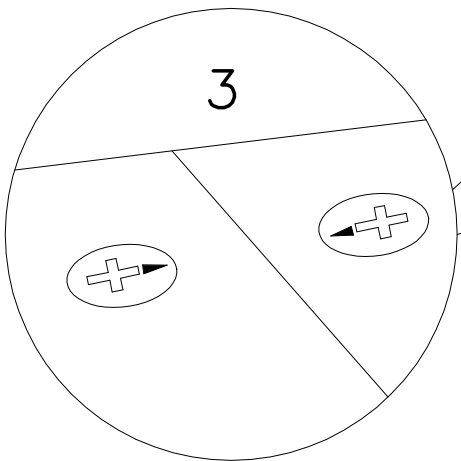
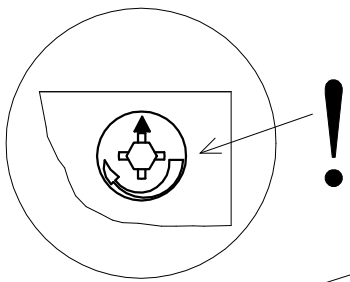
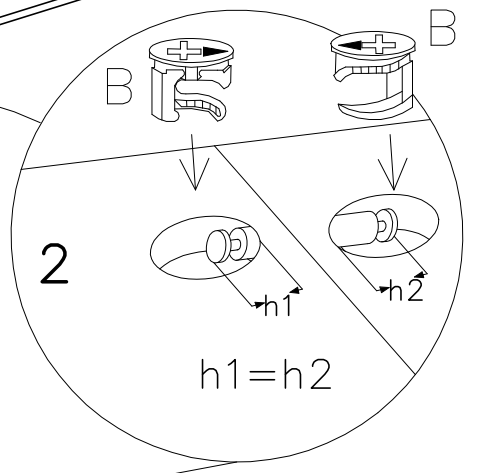
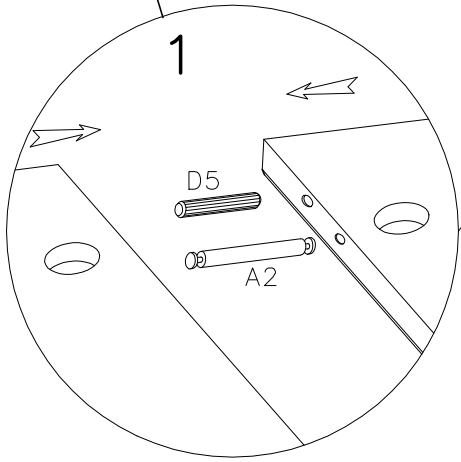
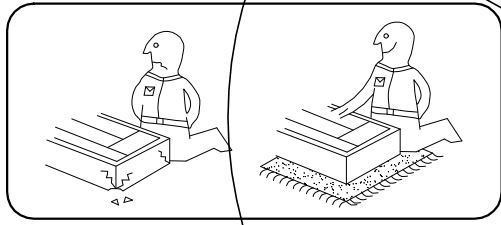
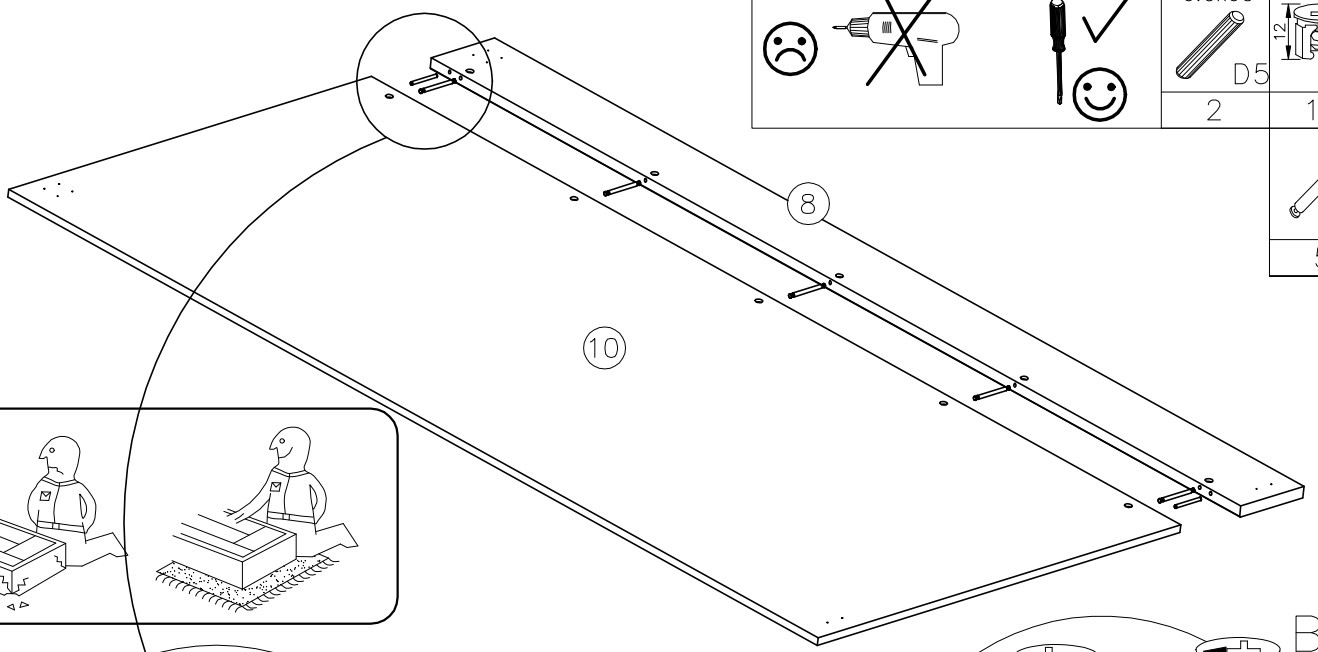


3.5x25		
8	W1	S22
8		1


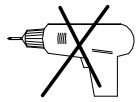



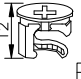



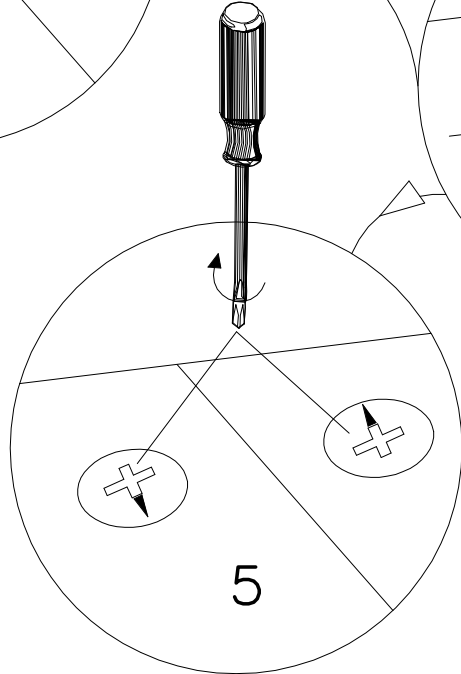
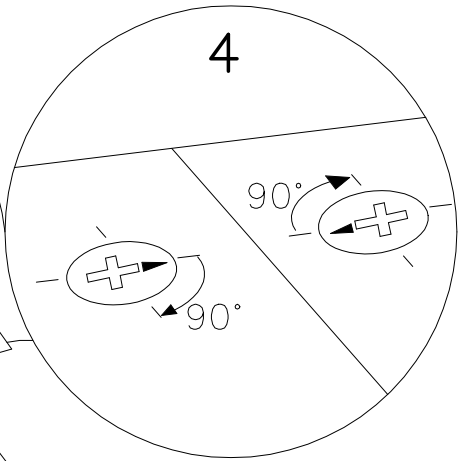
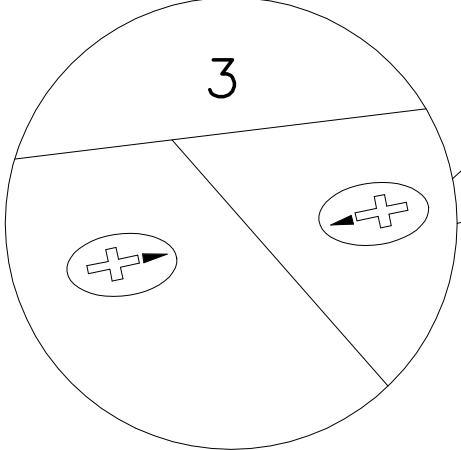
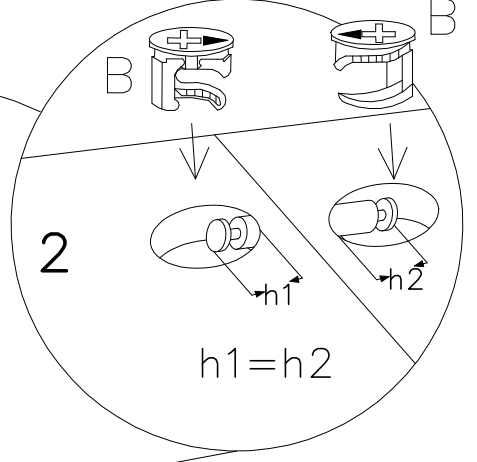
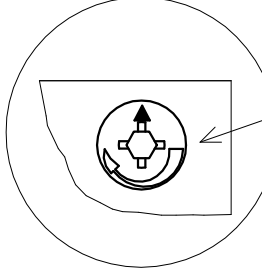
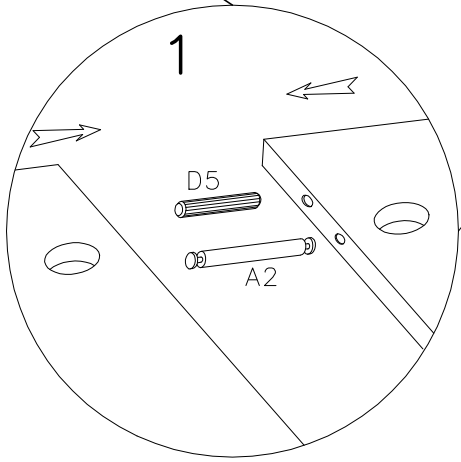
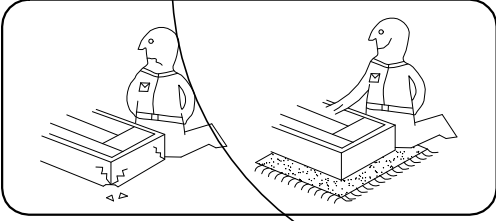
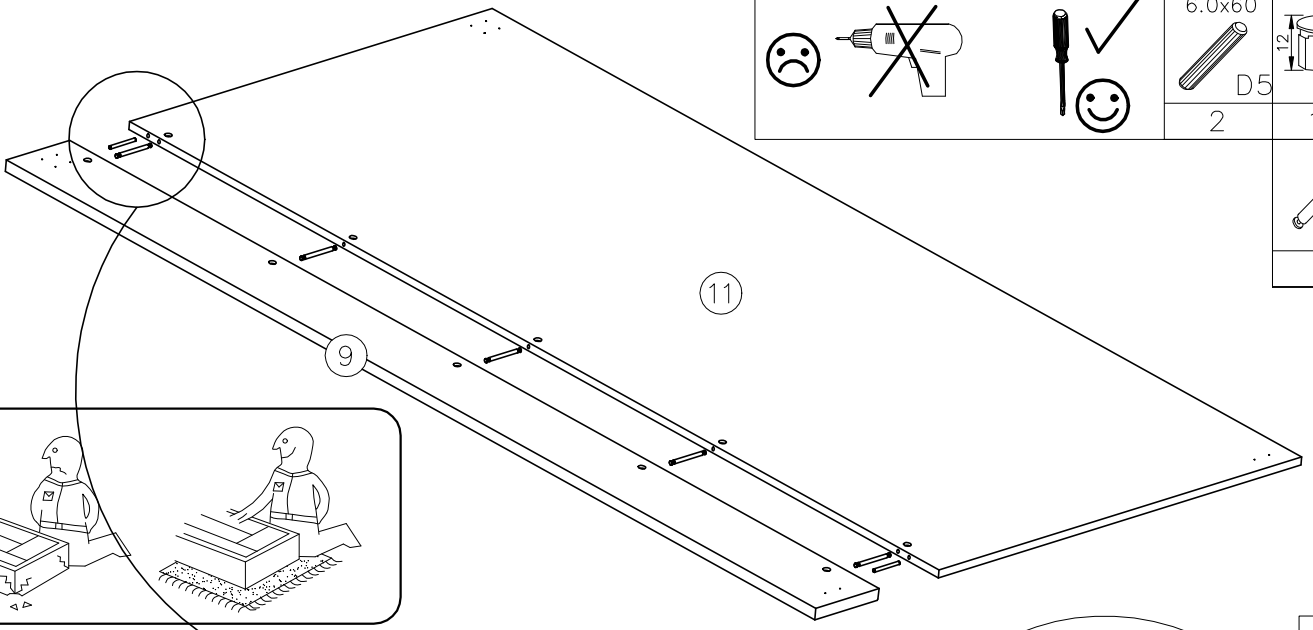
15

   	6.0x60		
	D5	2	10
			A2
		5	

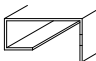



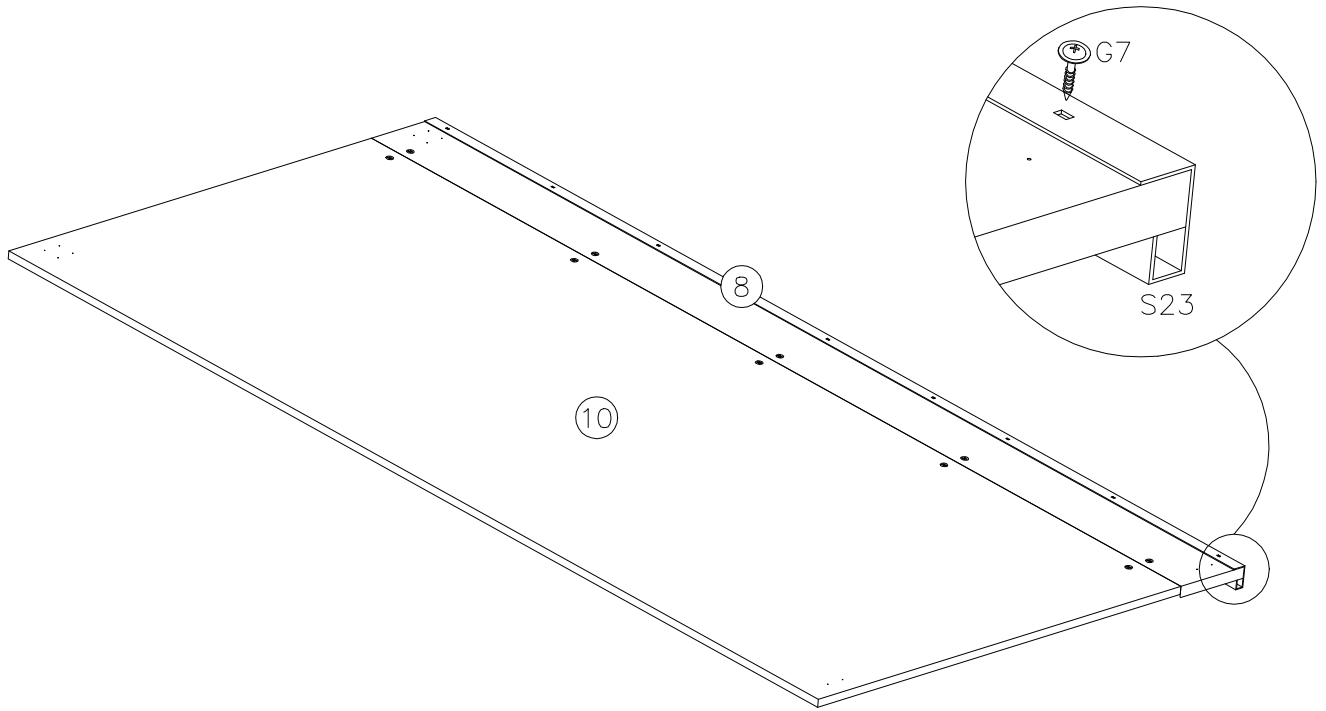
16

   	6.0x60		
	D5	2	10
			A2
		5	

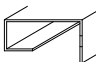



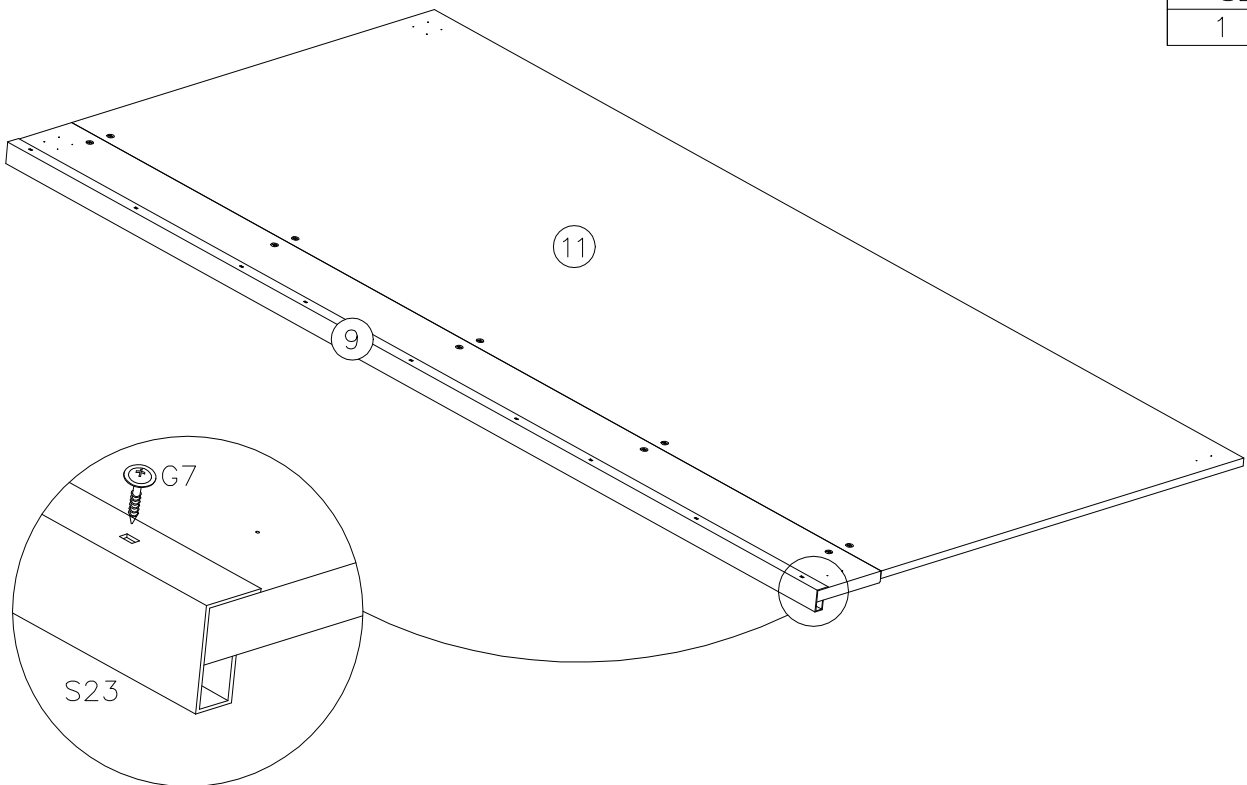
17

	3.5x13
S23	
1	9







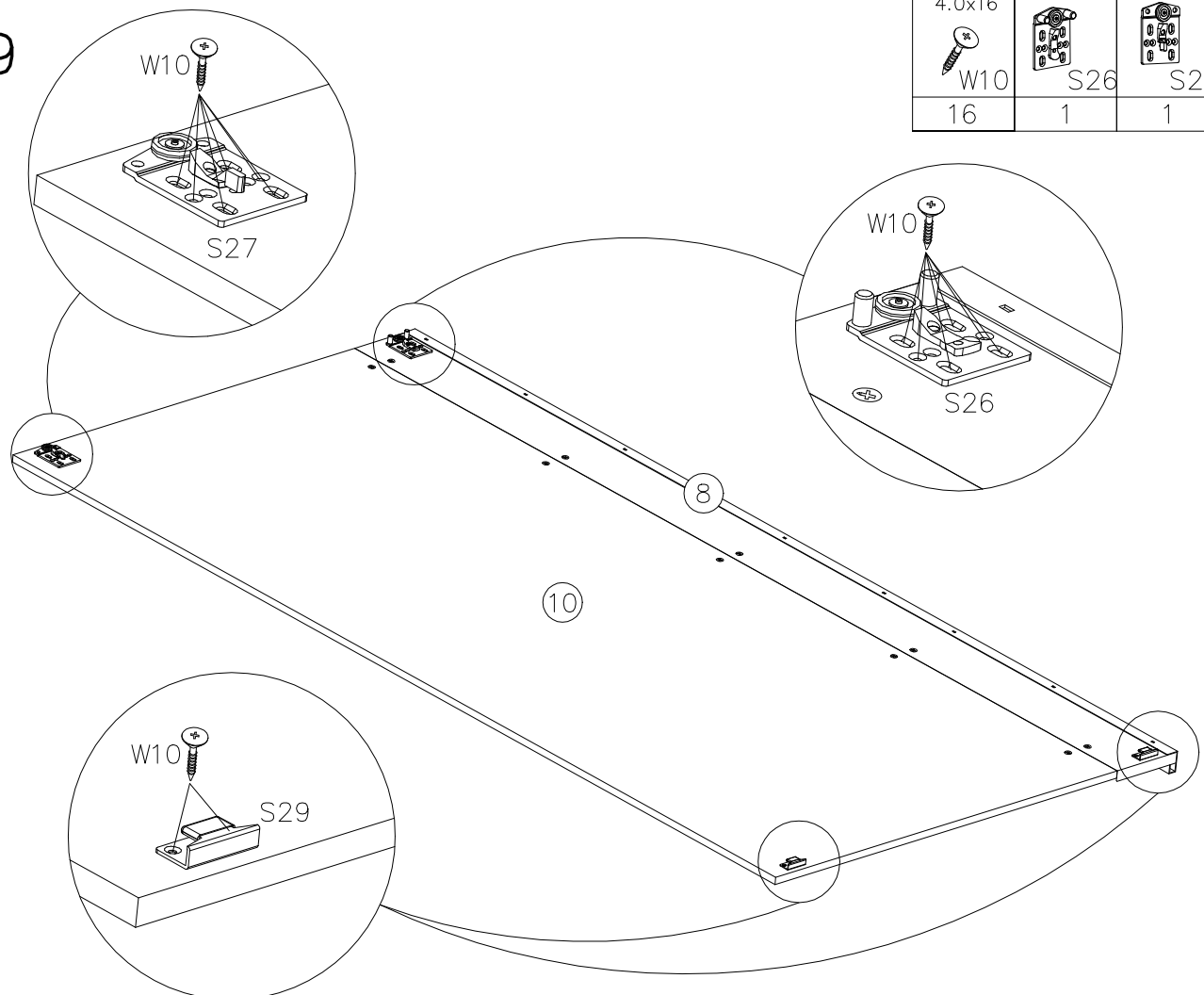
18

	3.5x13
S23	
1	9






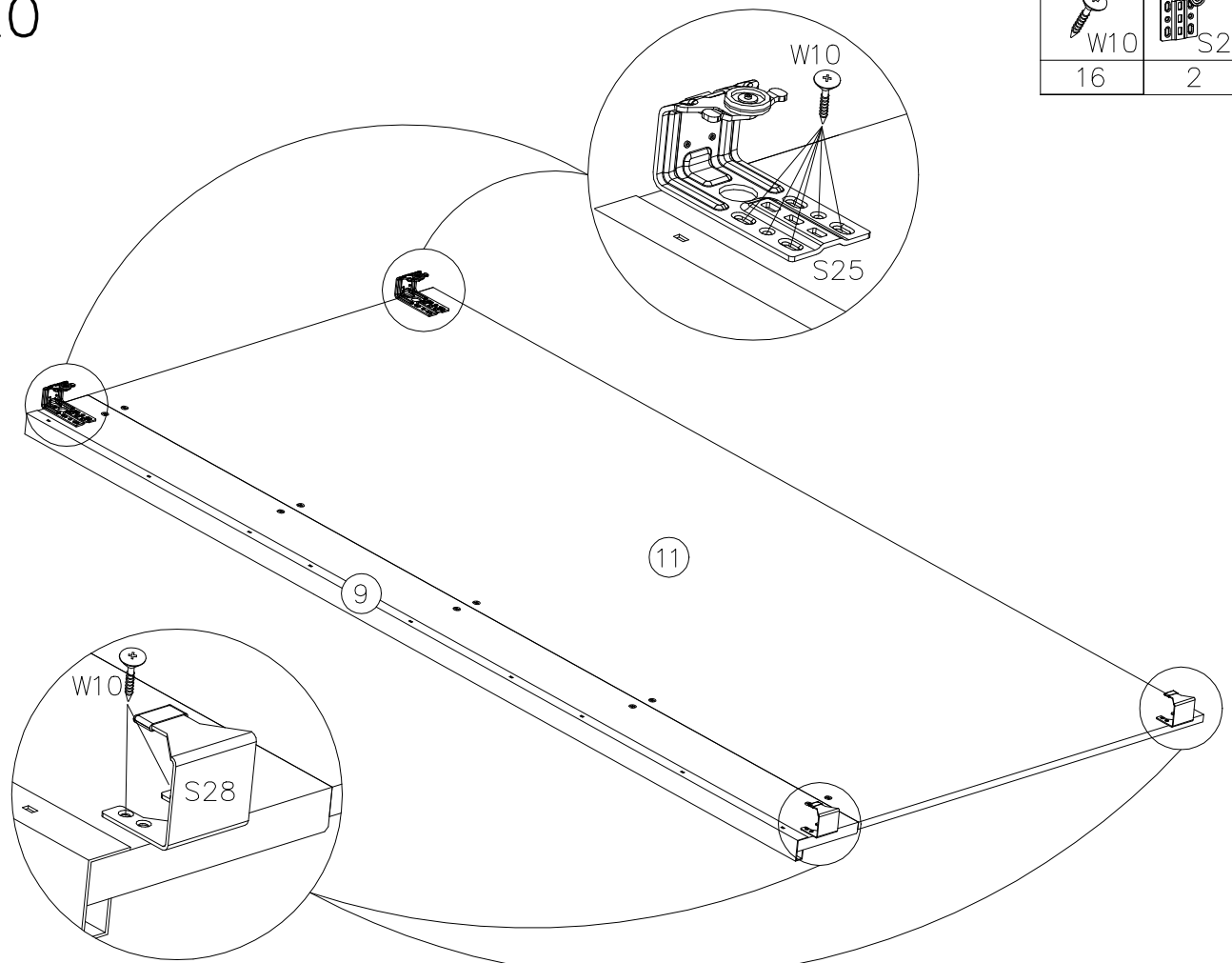
19

4.0x16  W10	 S26	 S27	 S29
16	1	1	2

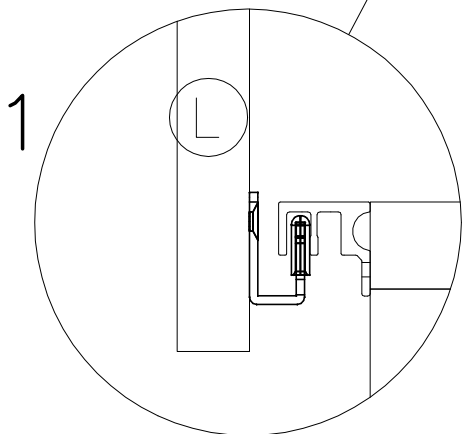
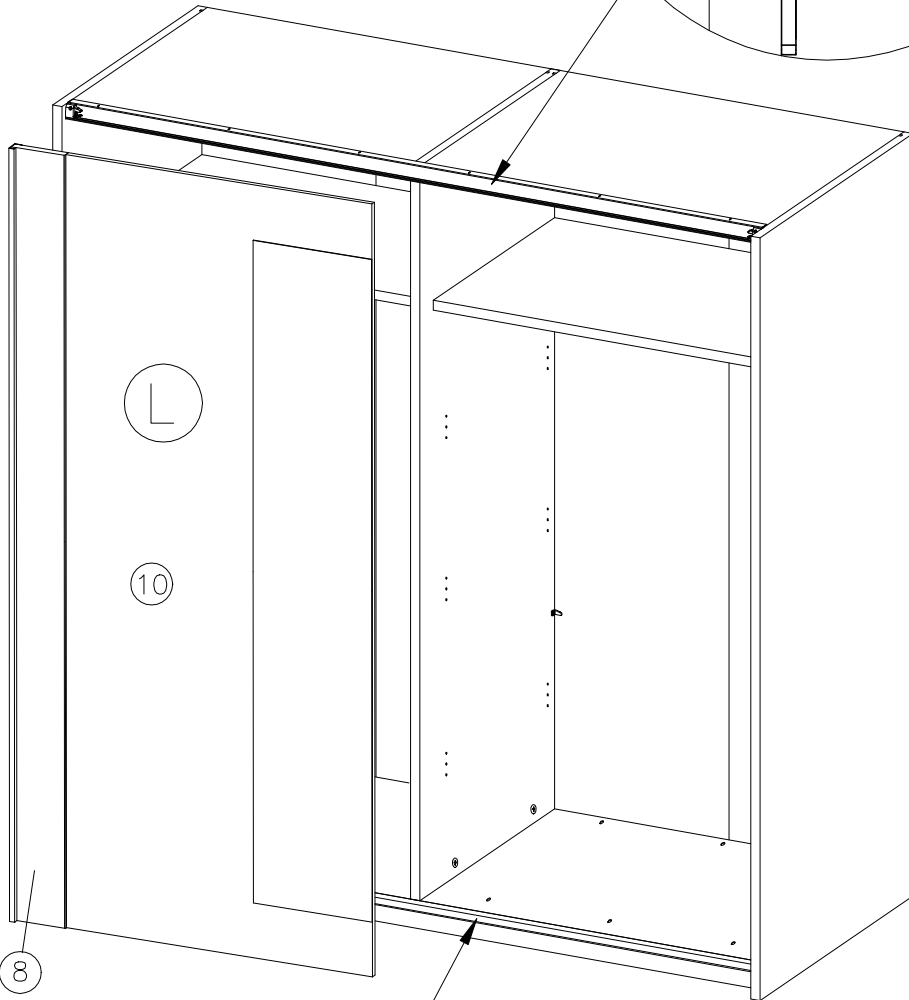
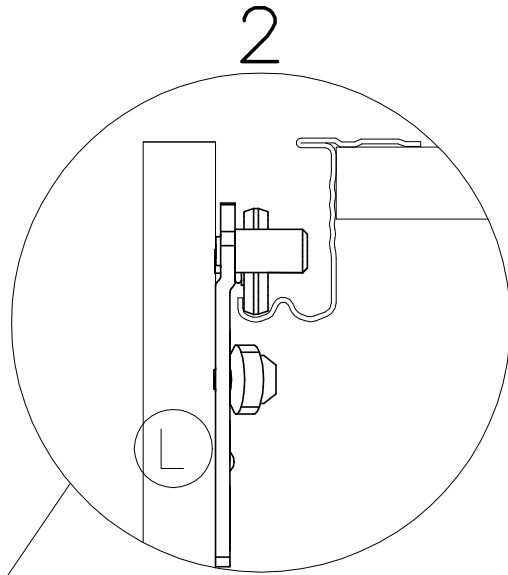
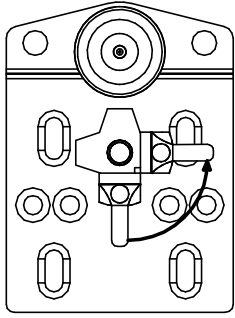


20

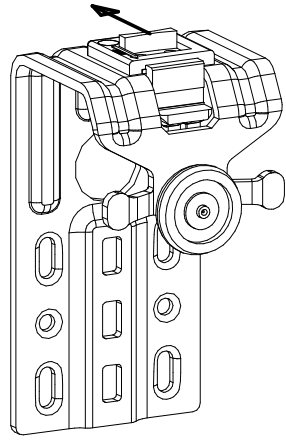
4.0x16  W10	 S25	 S28
16	2	2



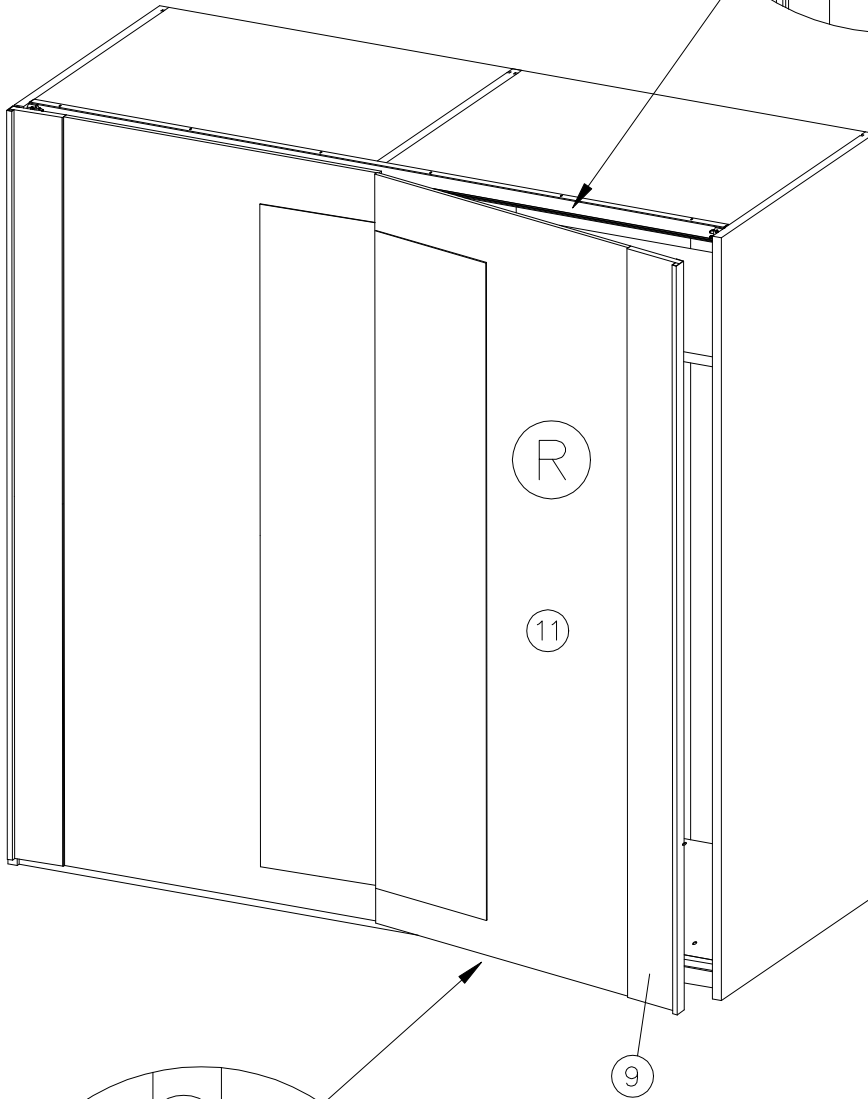
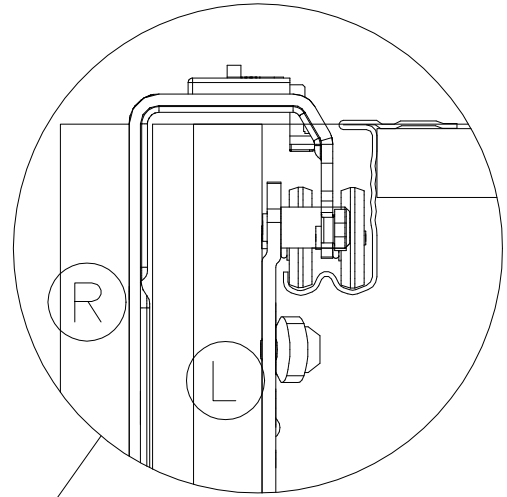
21



22



2



1

