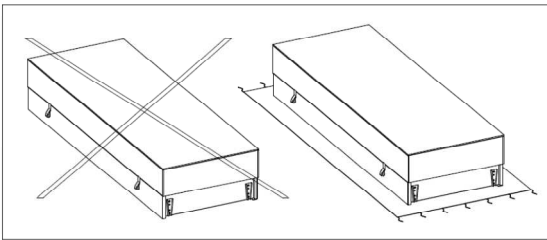
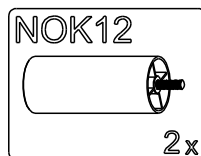
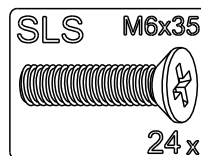
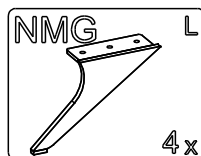
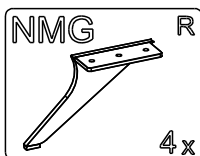
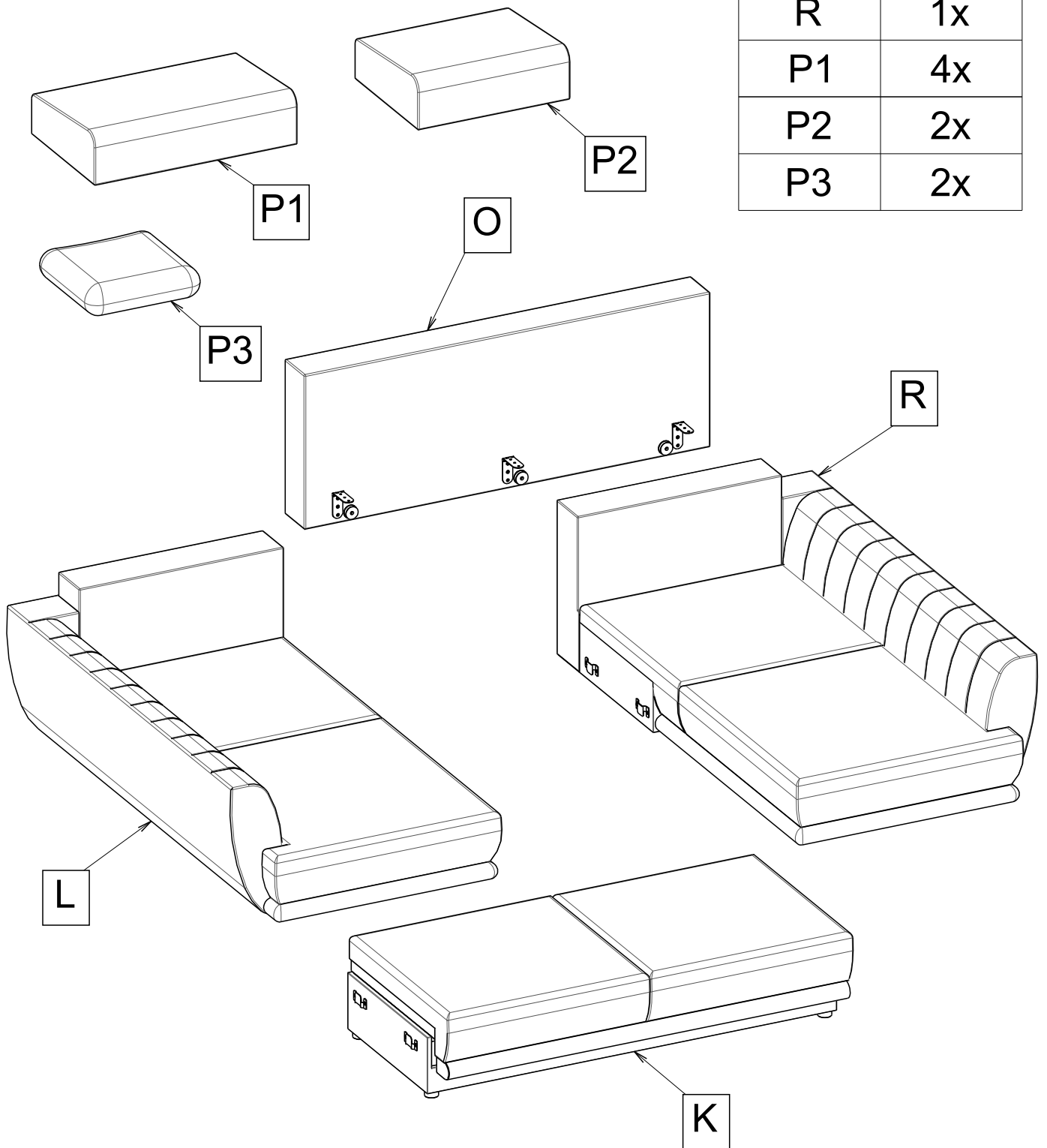


40min

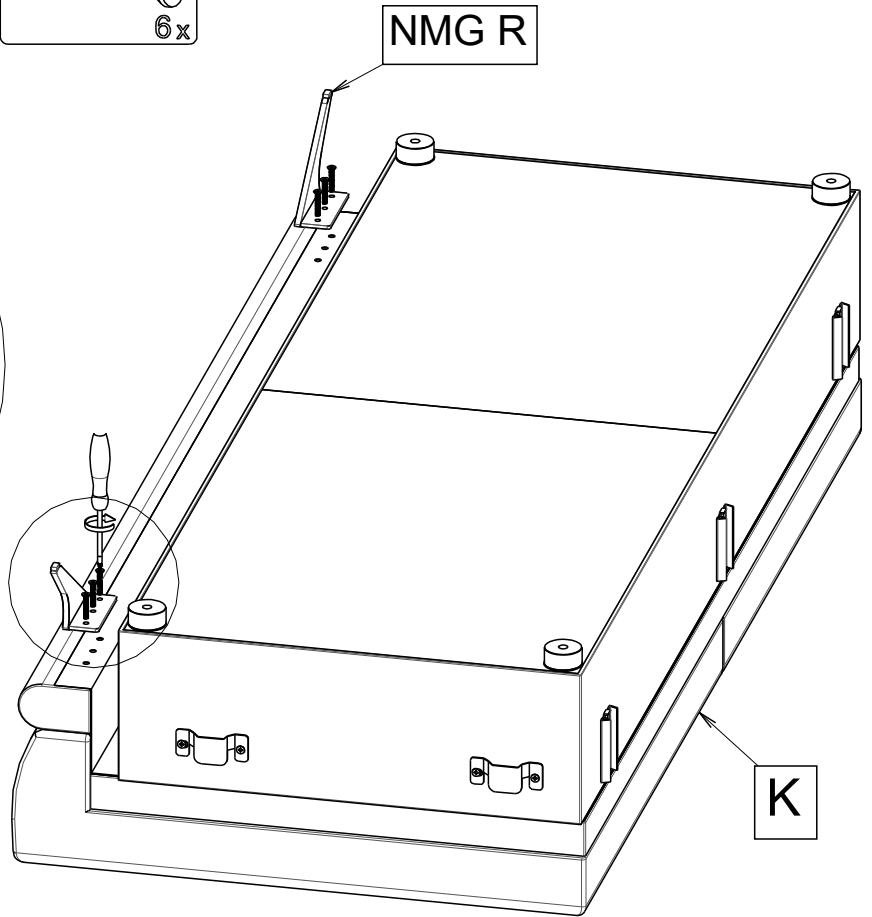
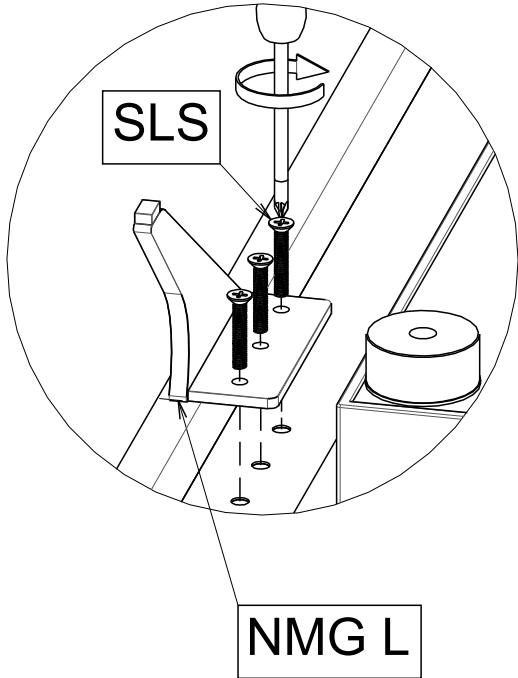
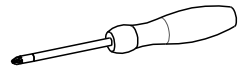
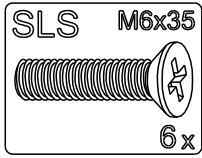
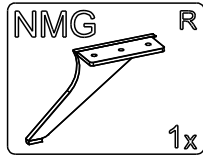
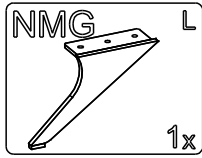
1/8



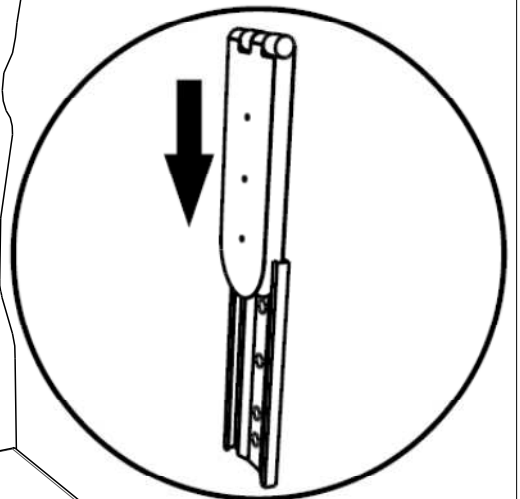
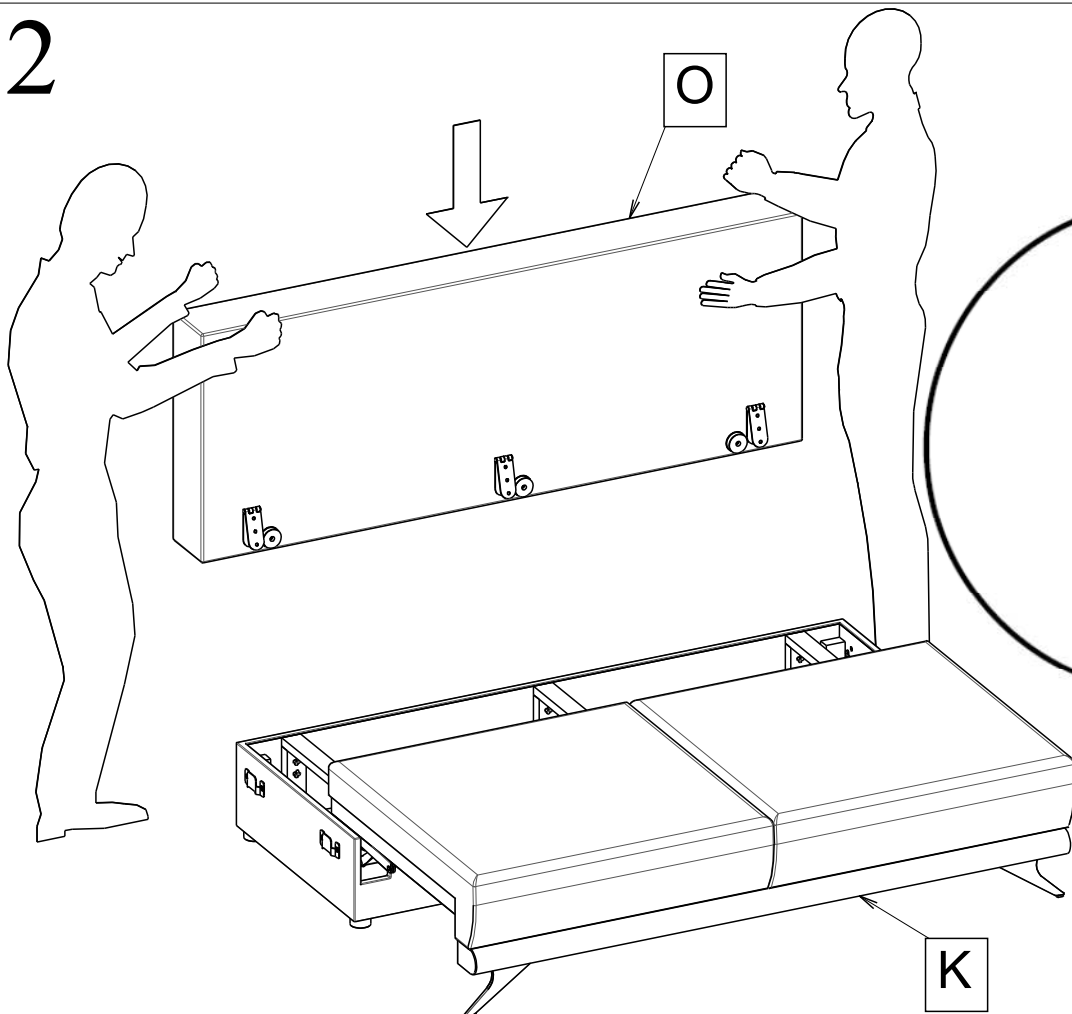
O	1x
K	1x
L	1x
R	1x
P1	4x
P2	2x
P3	2x



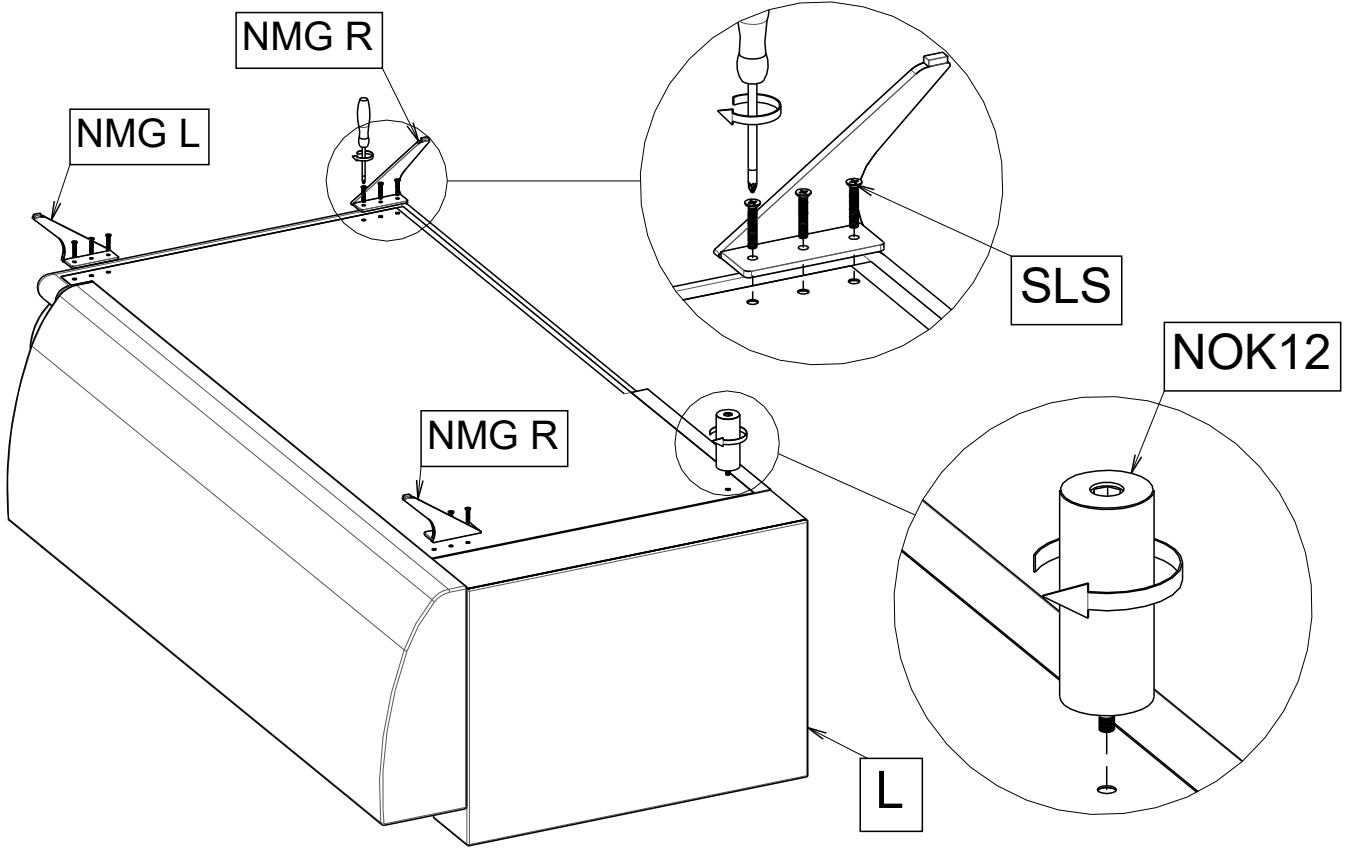
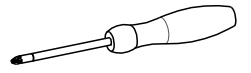
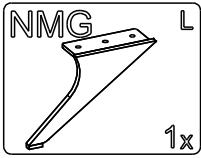
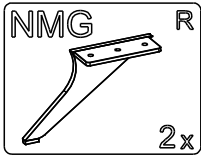
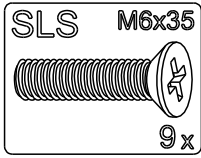
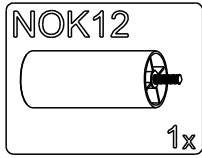
1



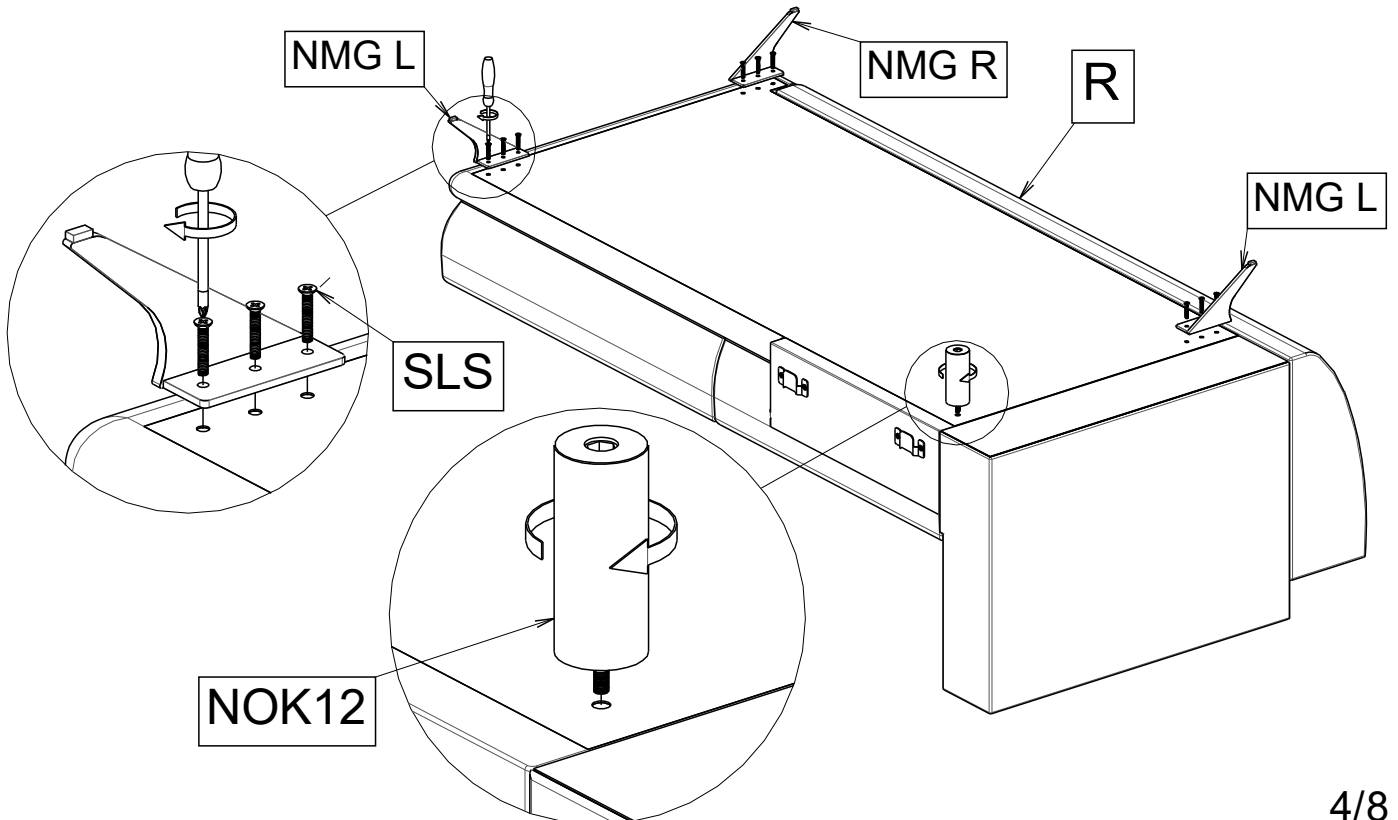
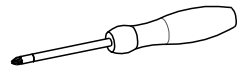
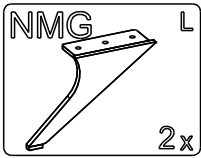
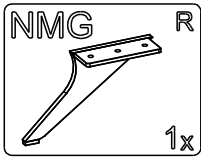
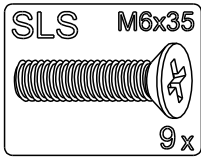
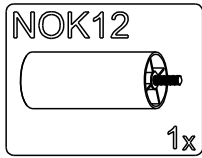
2



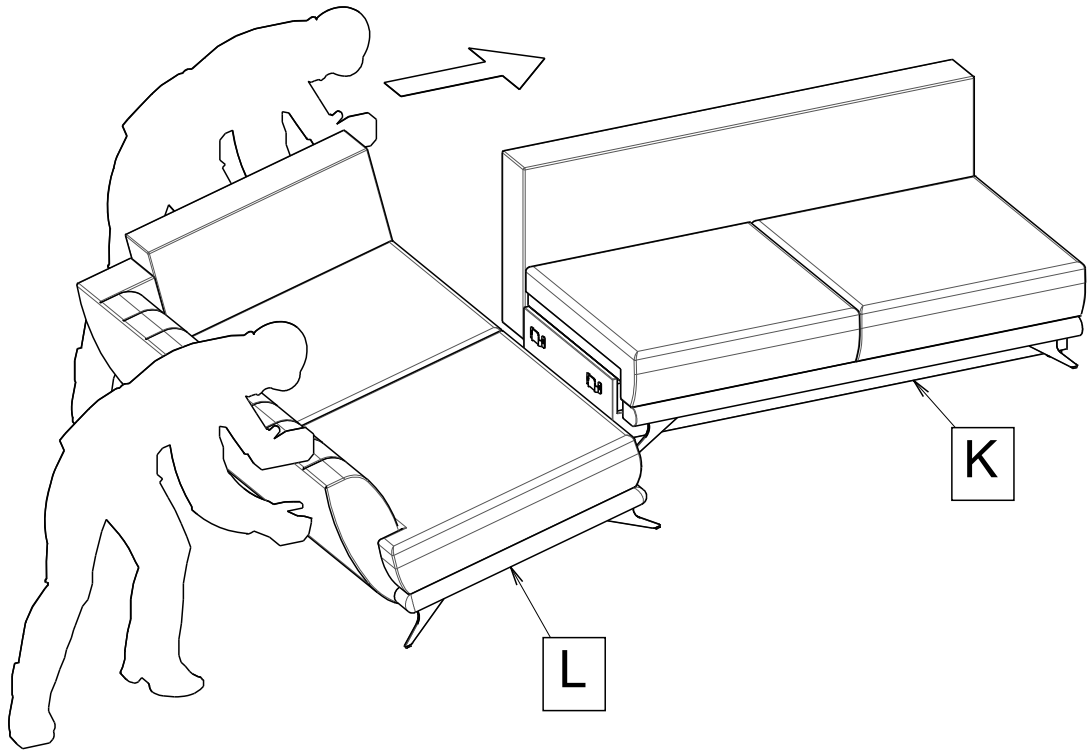
3



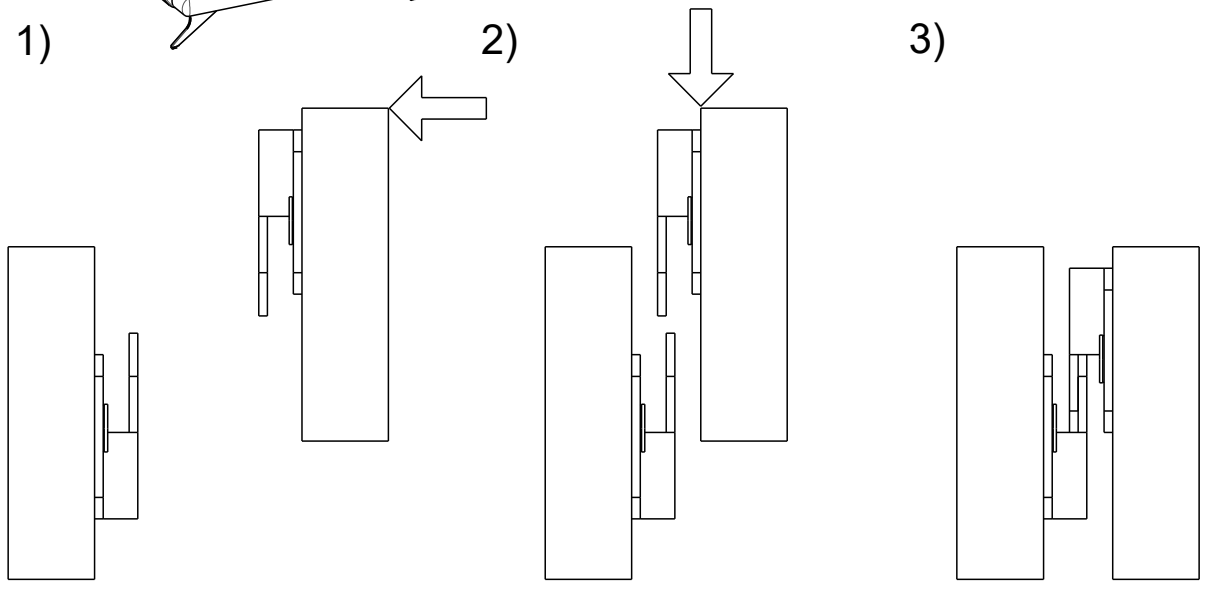
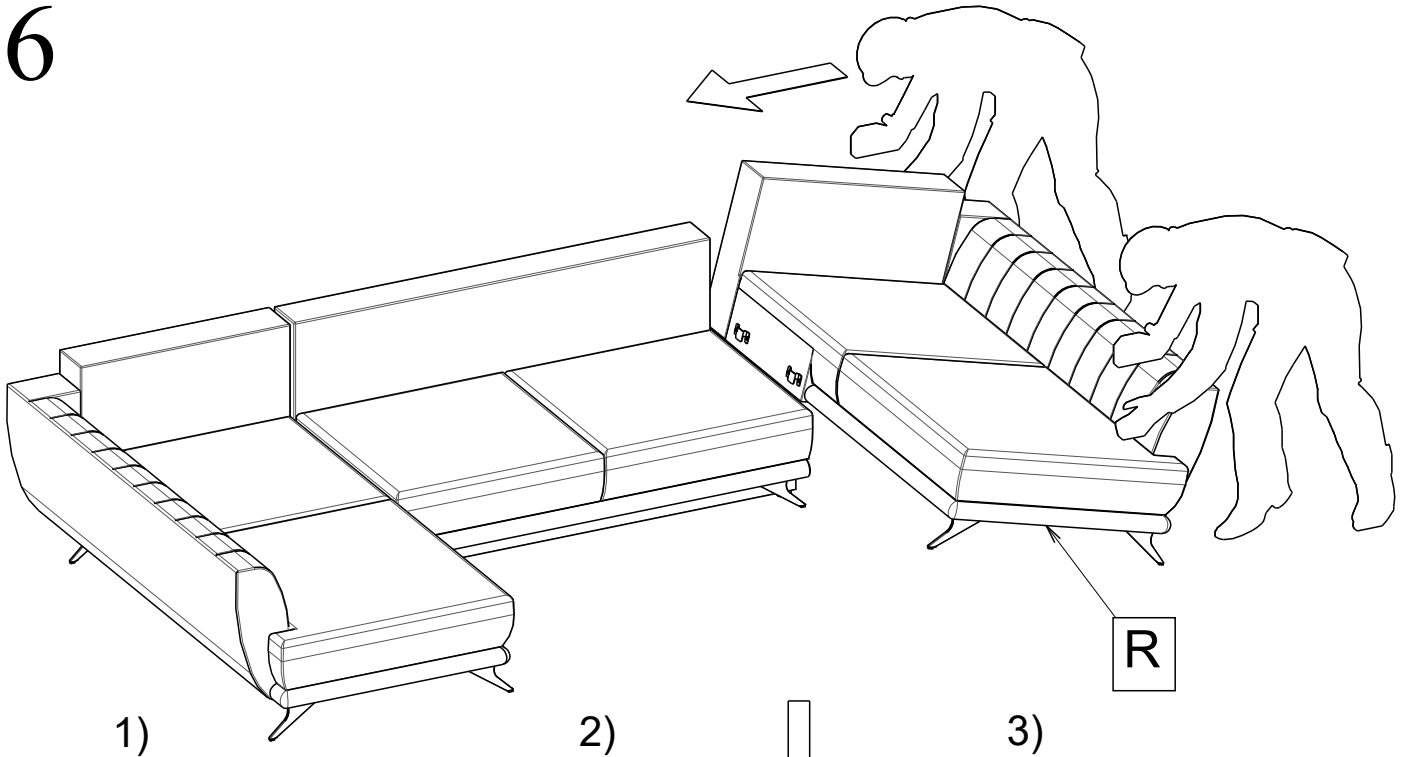
4



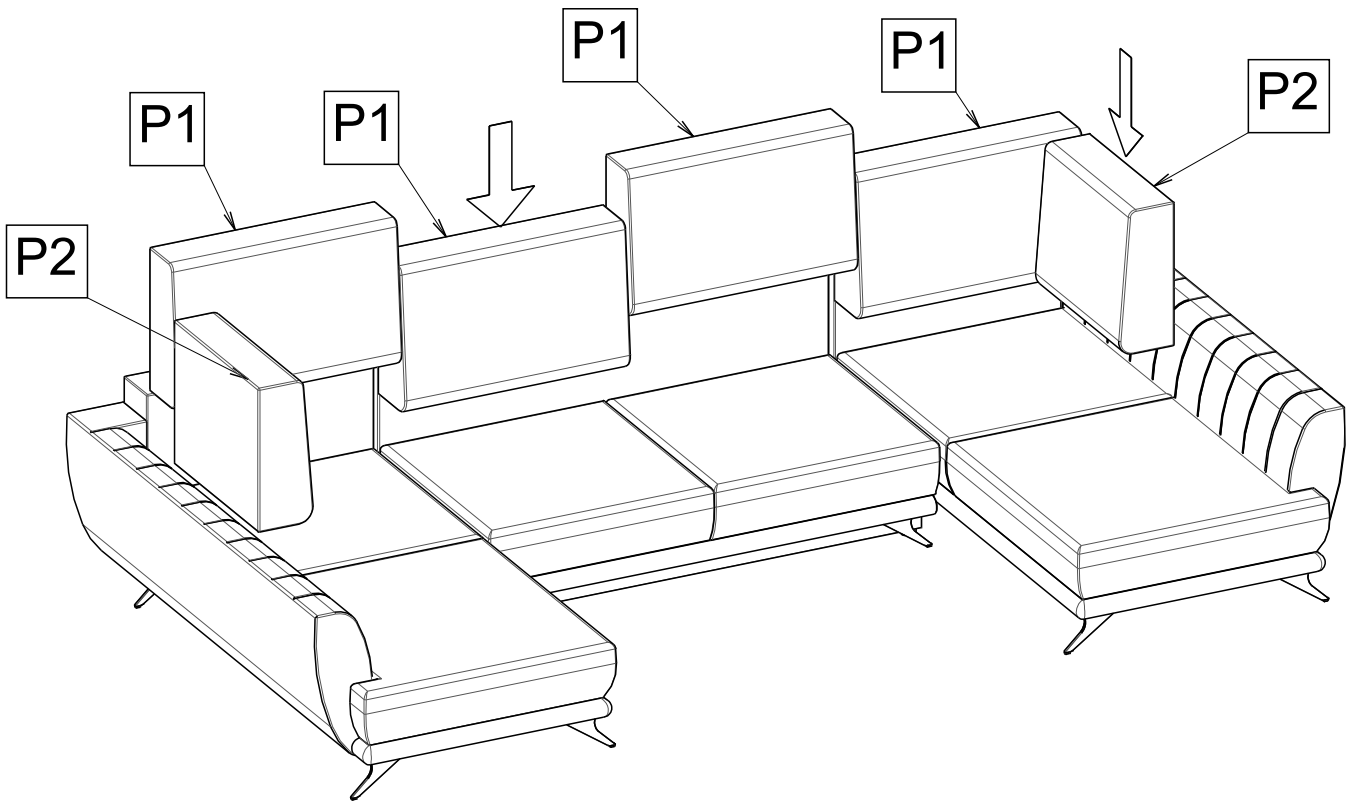
5



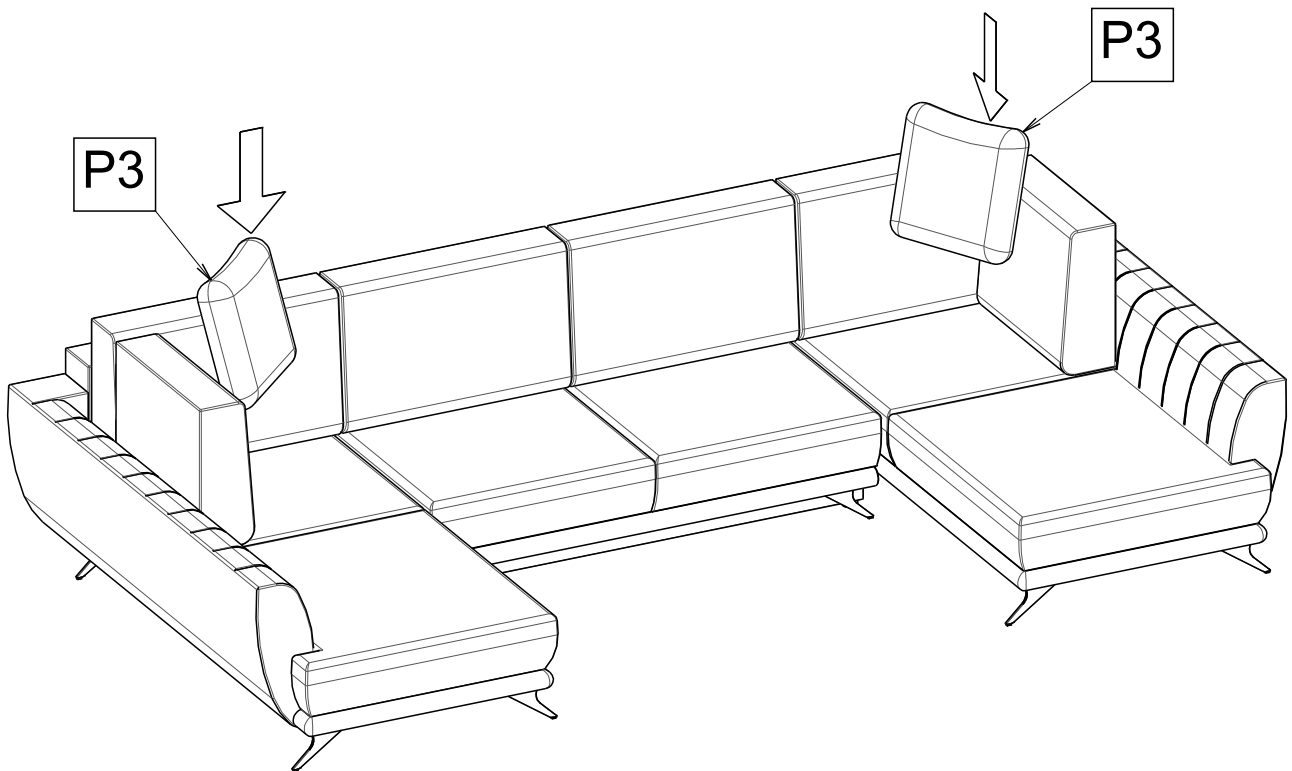
6



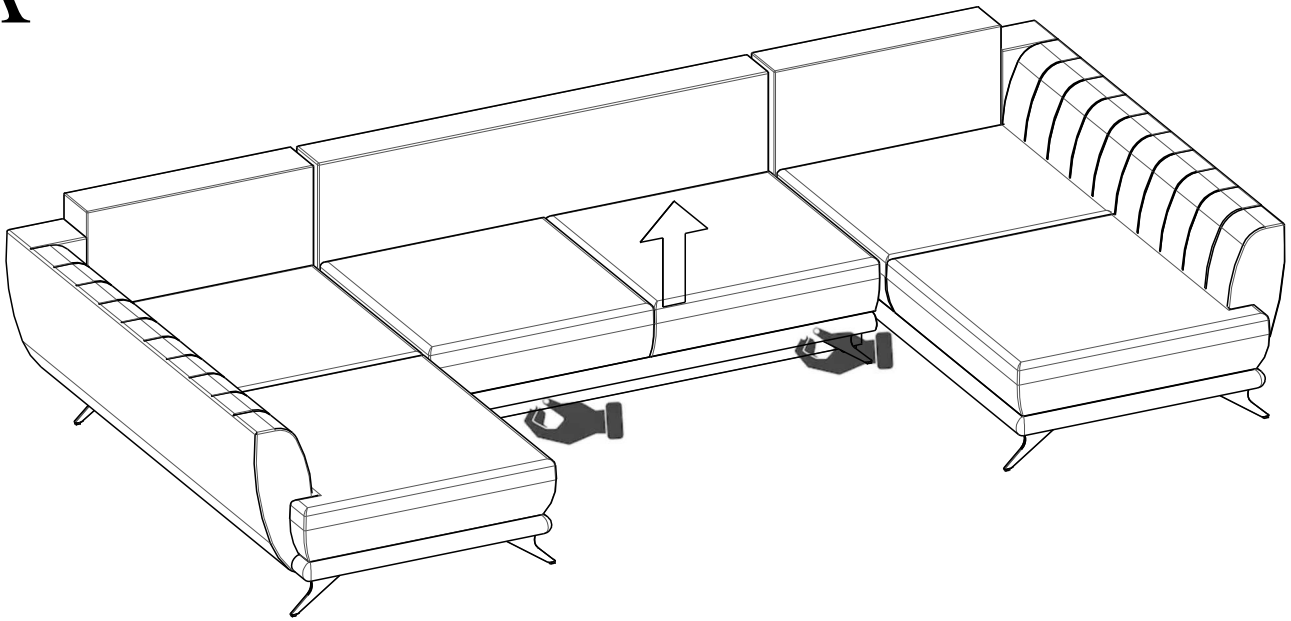
7



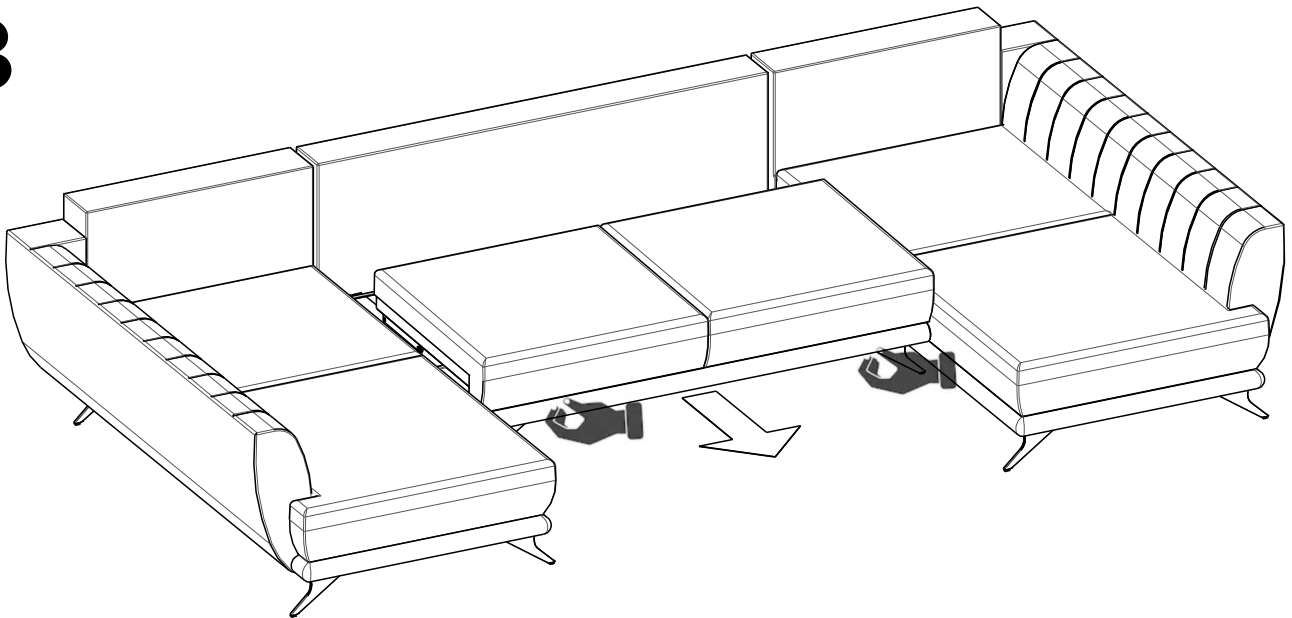
8



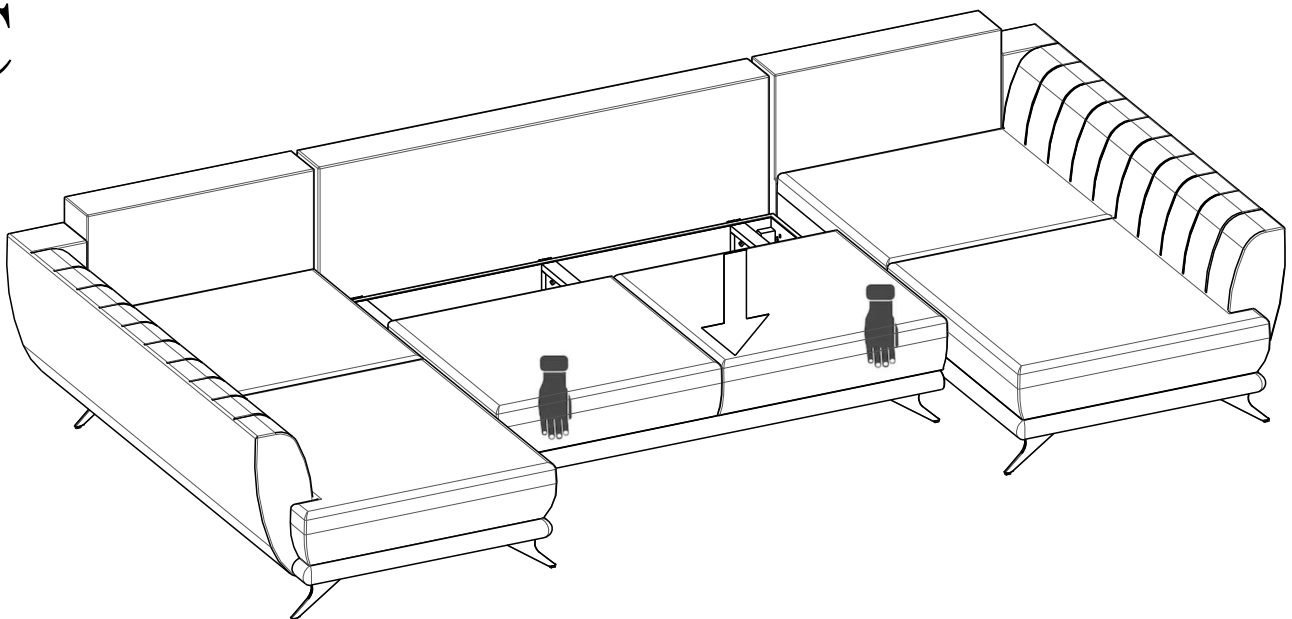
A



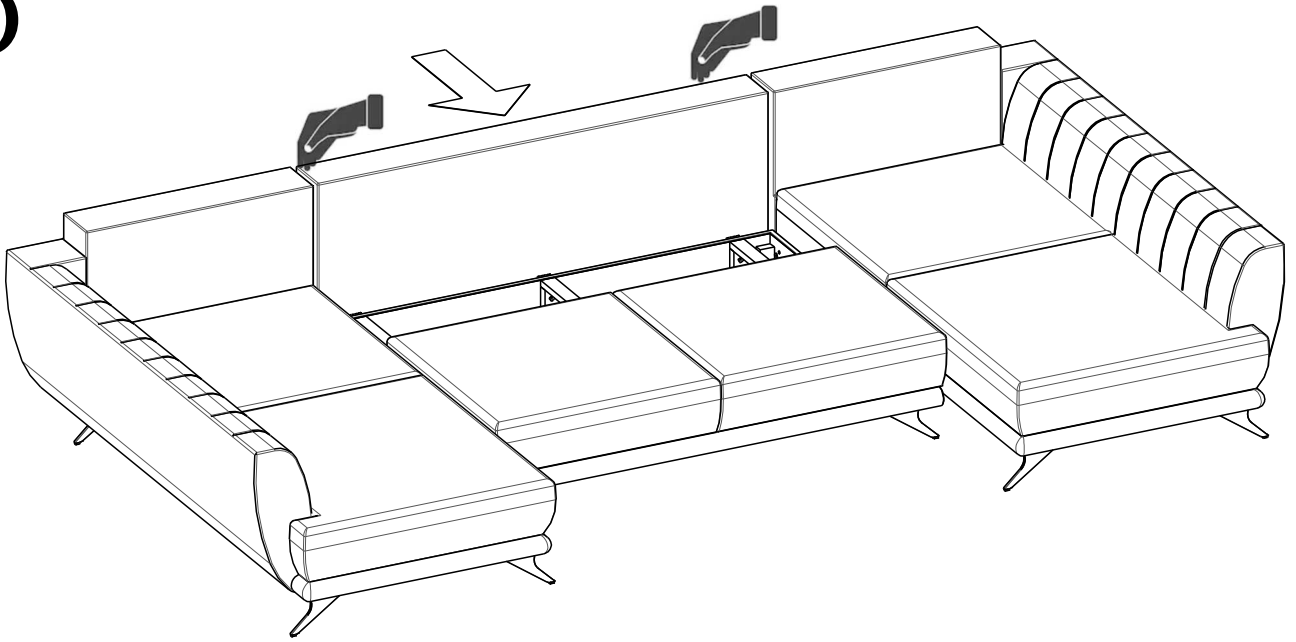
B



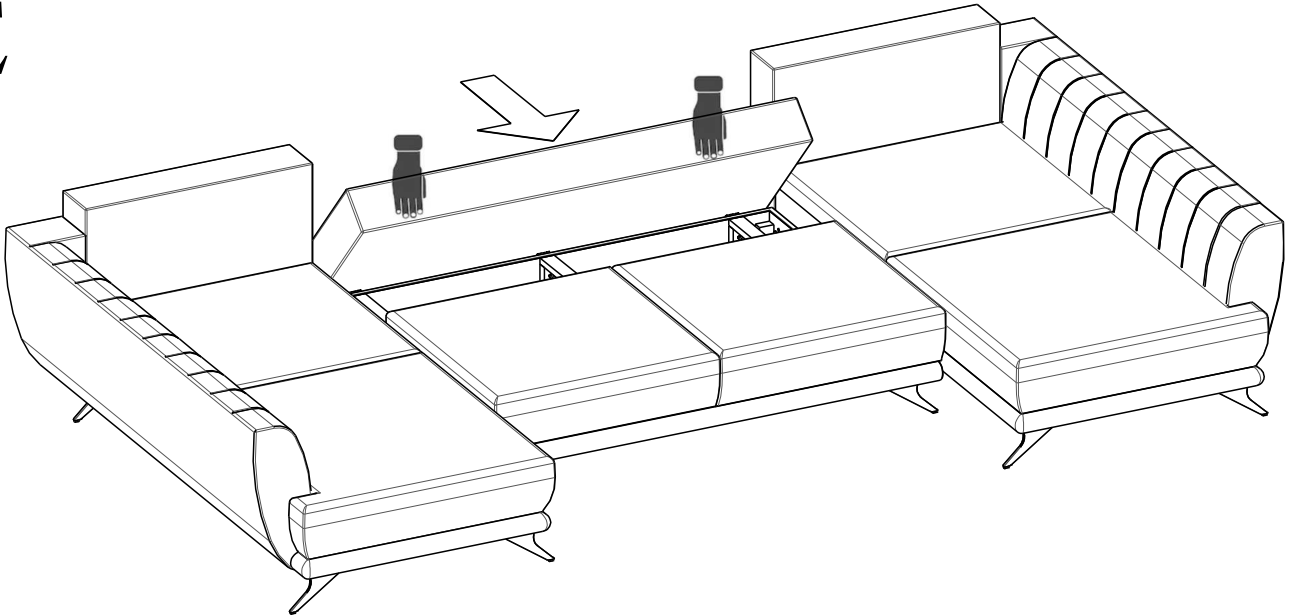
C



D



E



F

