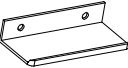
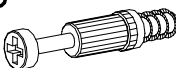


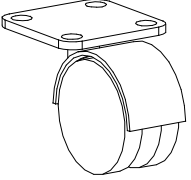

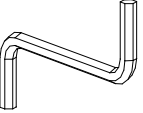
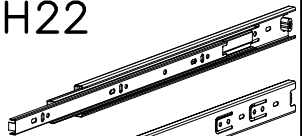



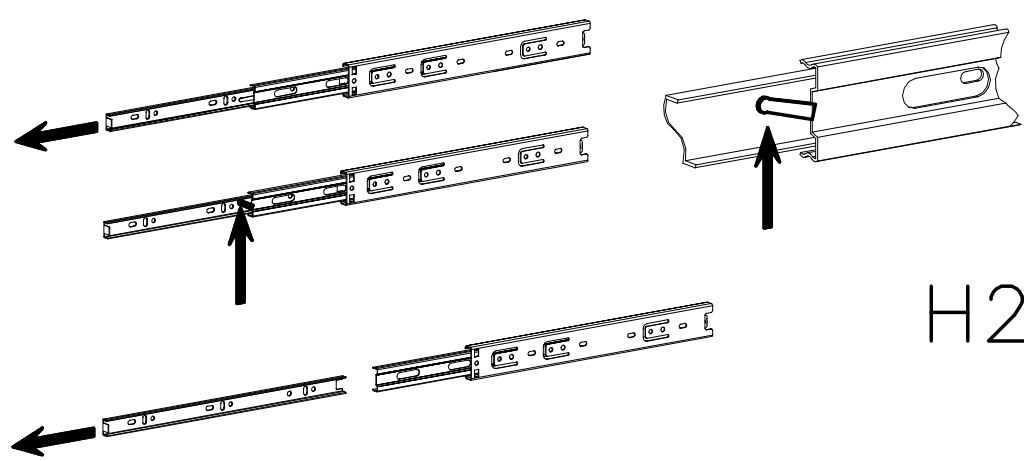
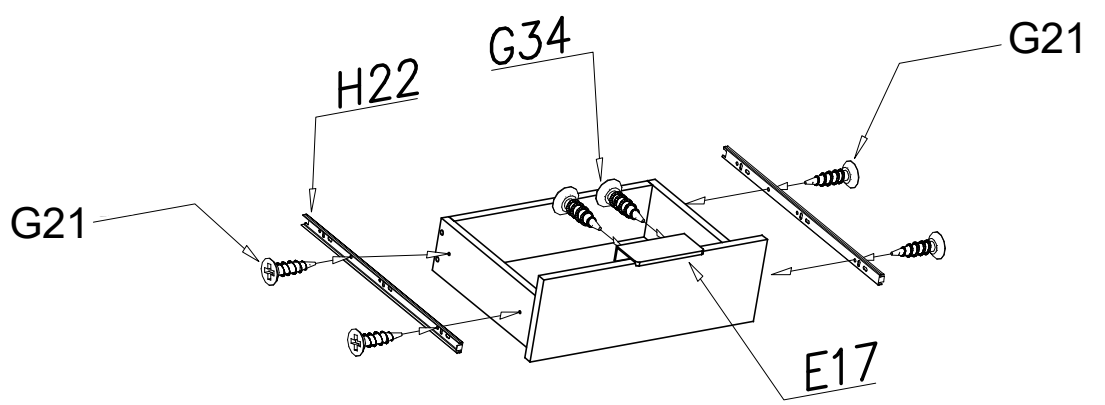
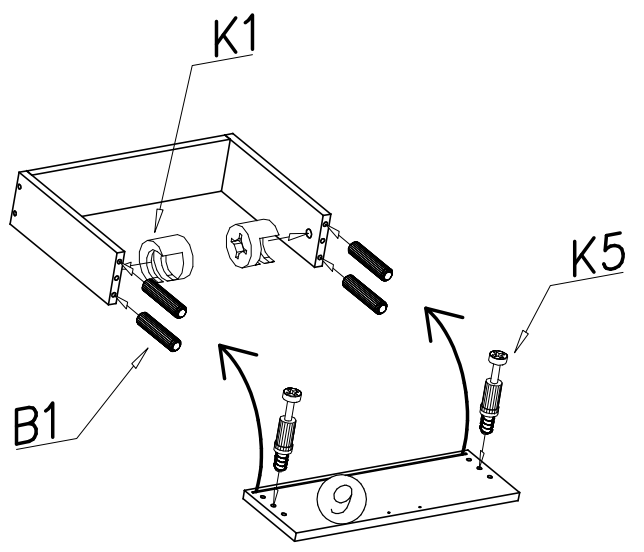
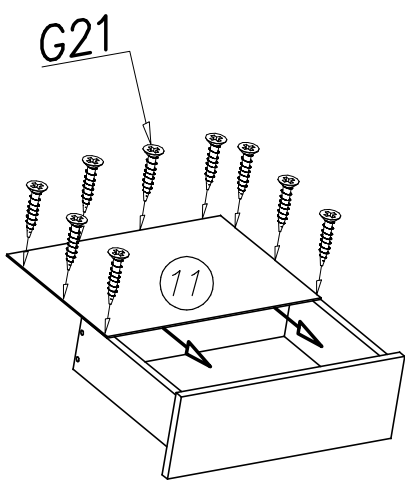
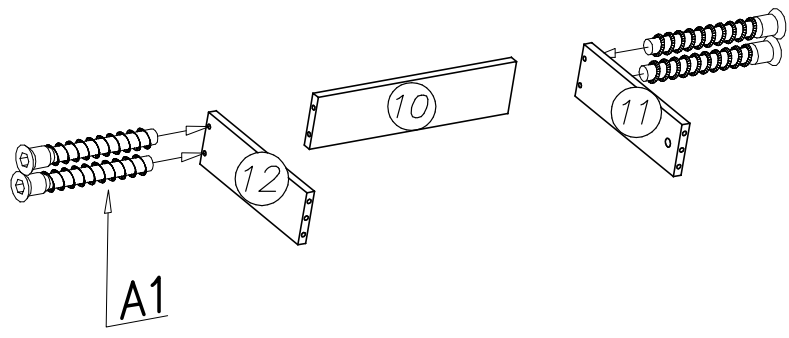
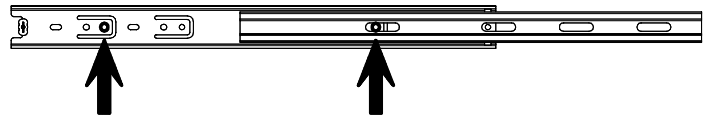
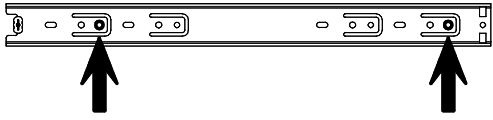


E17  x3	K5  x14	G21  3x16 x44		
G34  3,5x16 x34	P7  x4	K1  ø15x13,2 x14	W2  4mm x1	H22  x3
A1  ø7x50 x12		I7  ø18 x14	B1  ø8x35 x20	

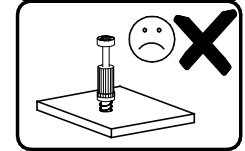
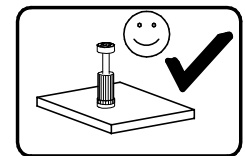
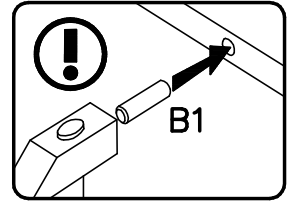
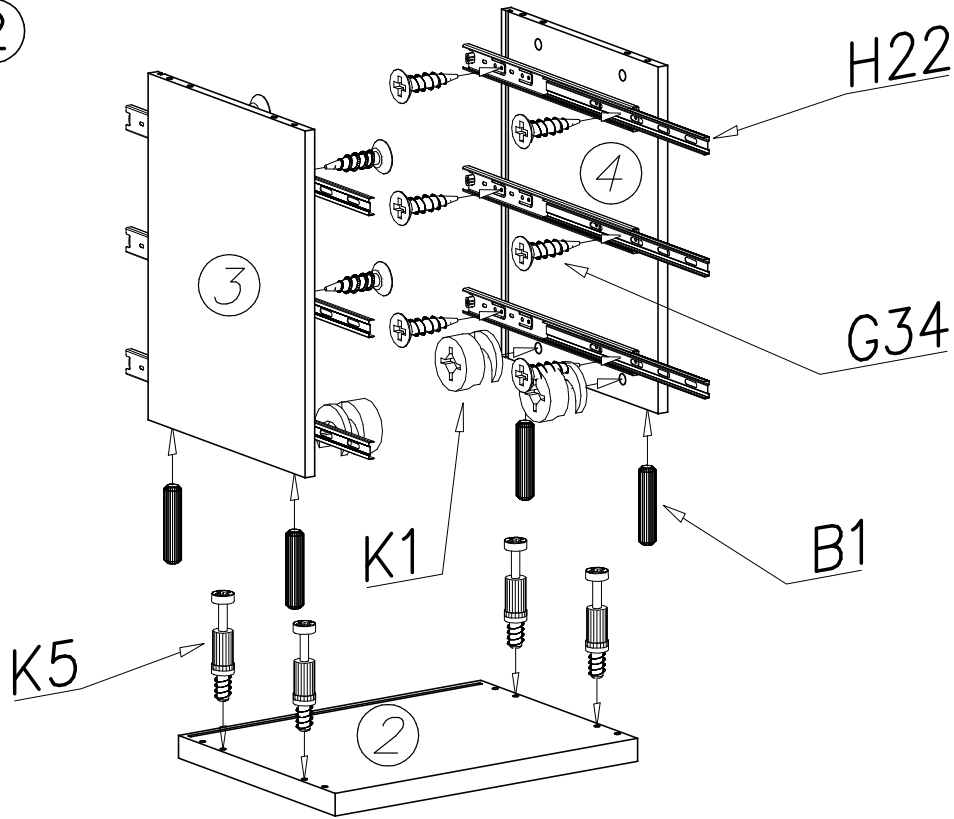
1



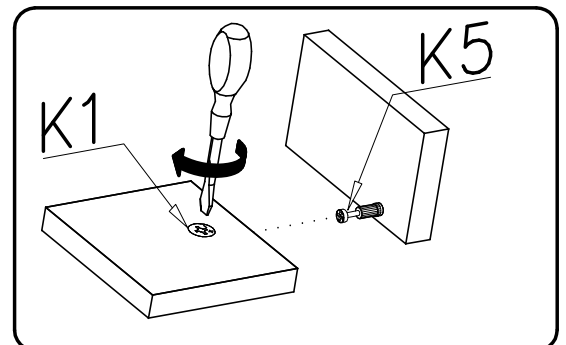
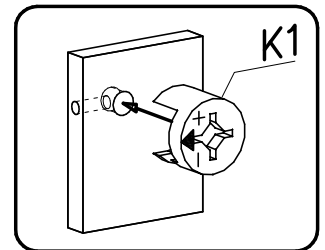
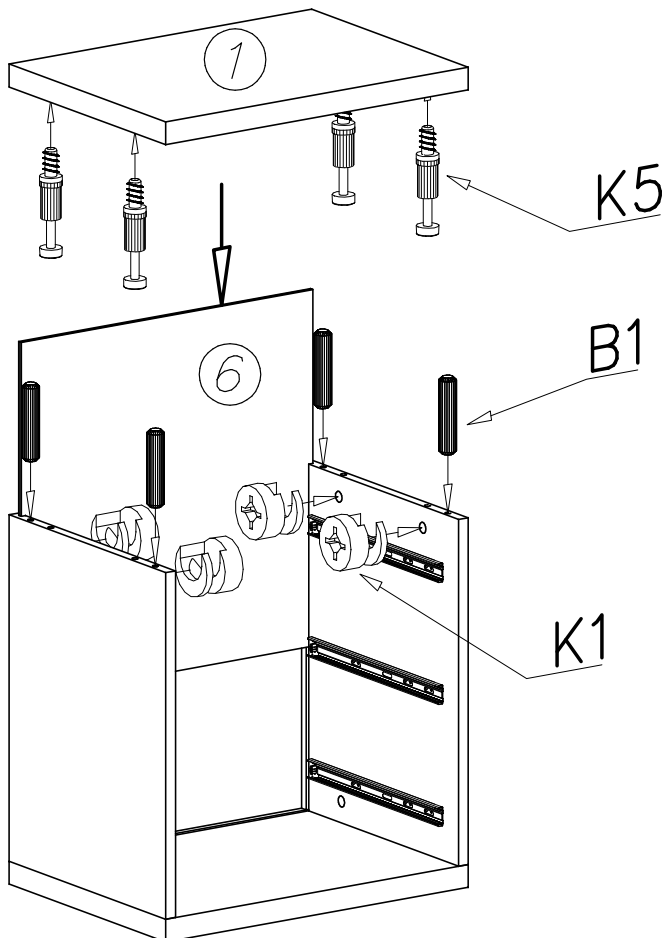
H22



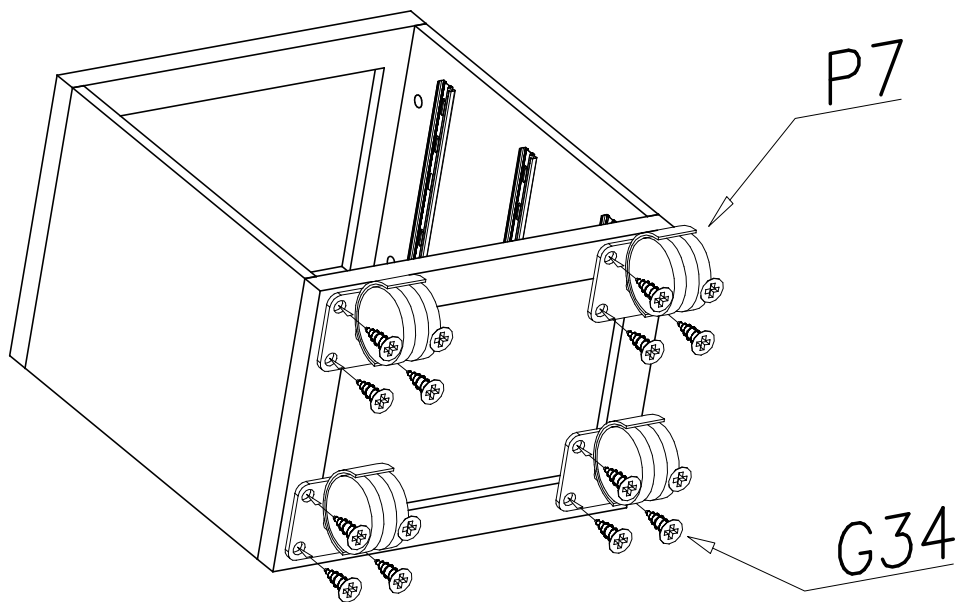
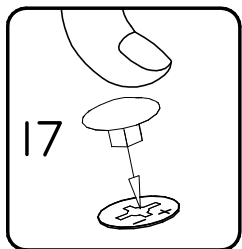
2



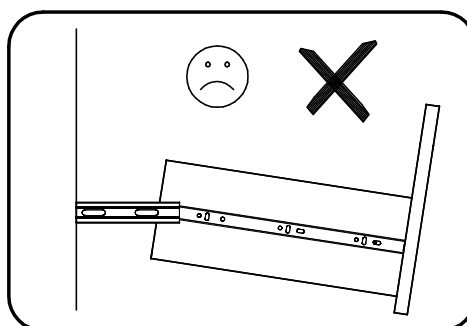
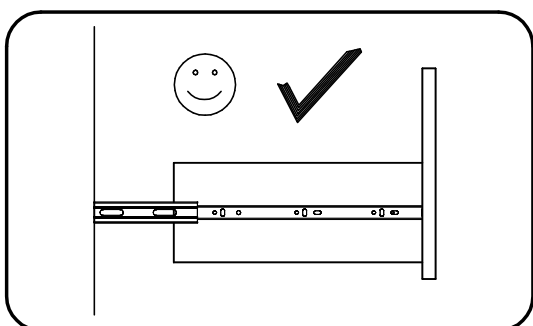
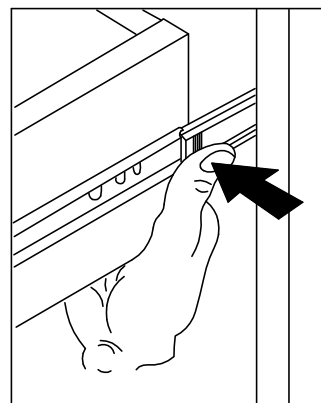
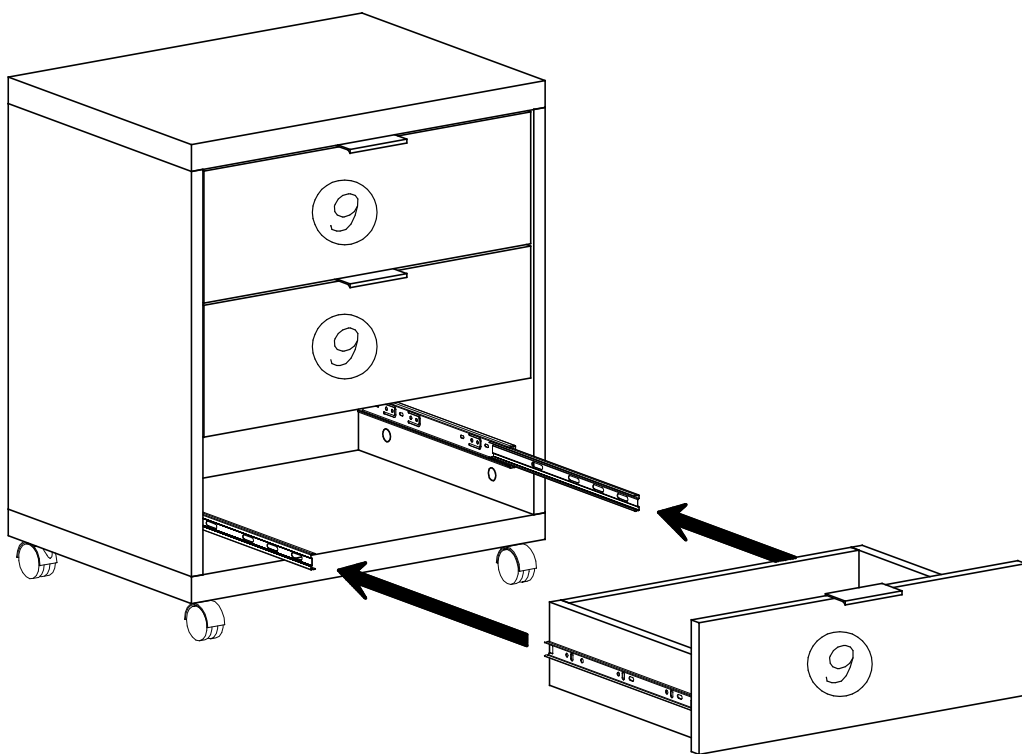
3

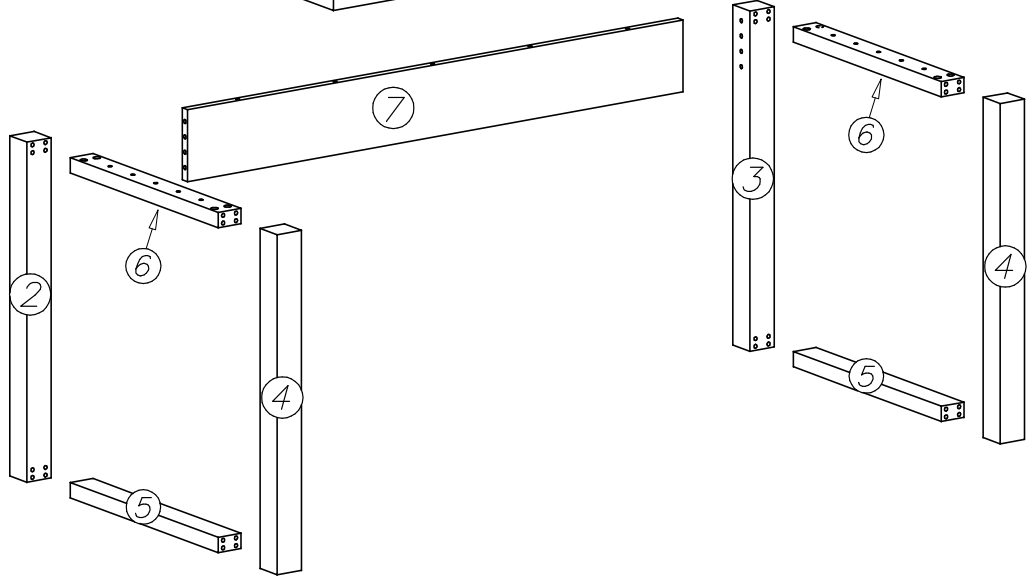
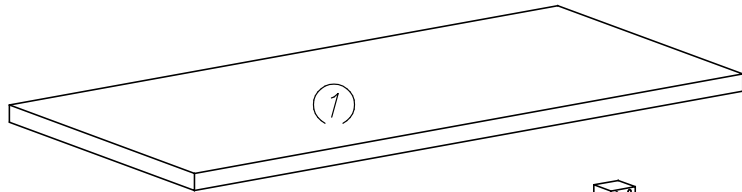
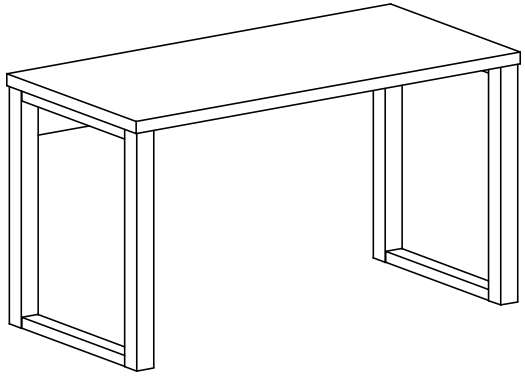
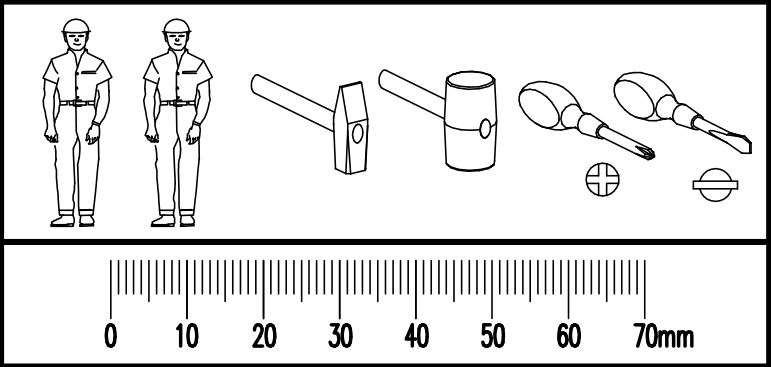
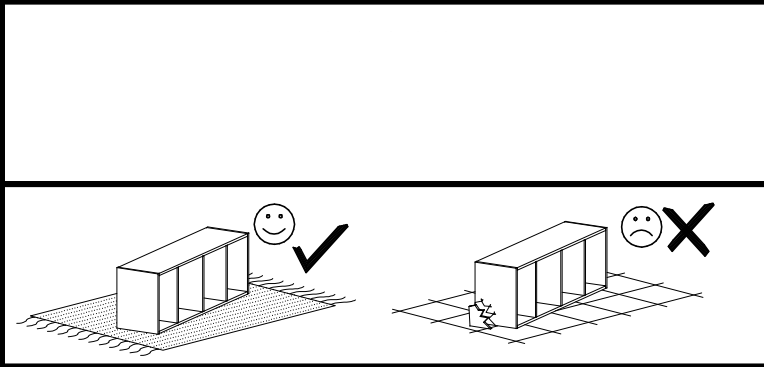


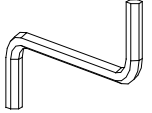
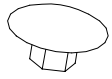
4

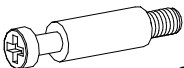



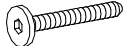
5







W2  x1	I7a  ø18 x7
--	---

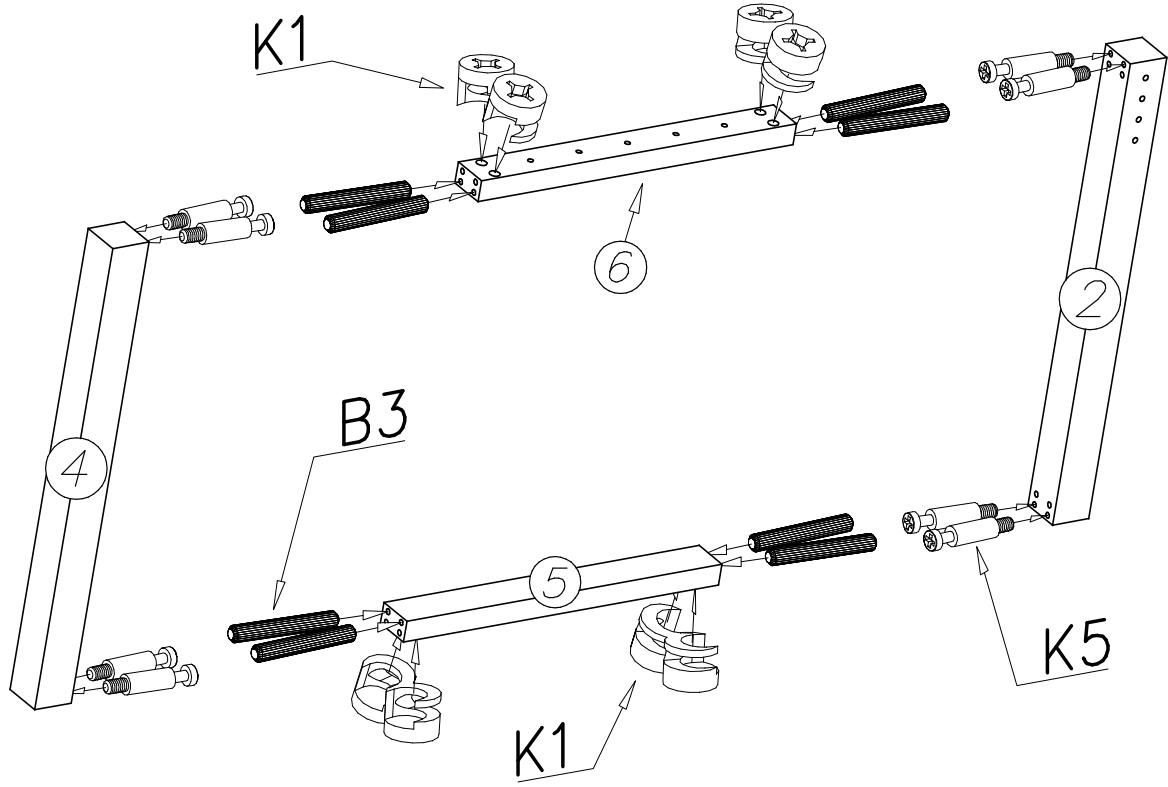
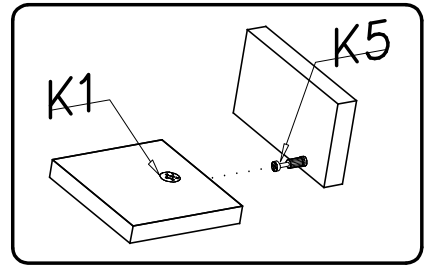
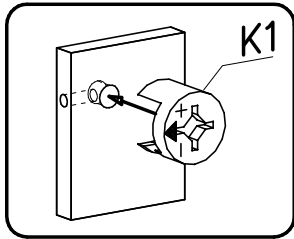
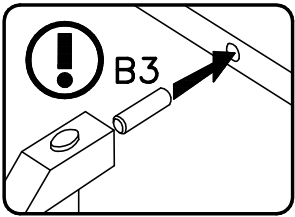
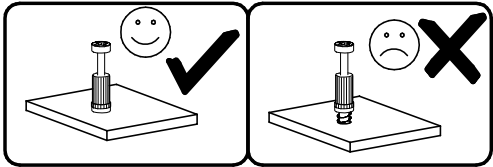
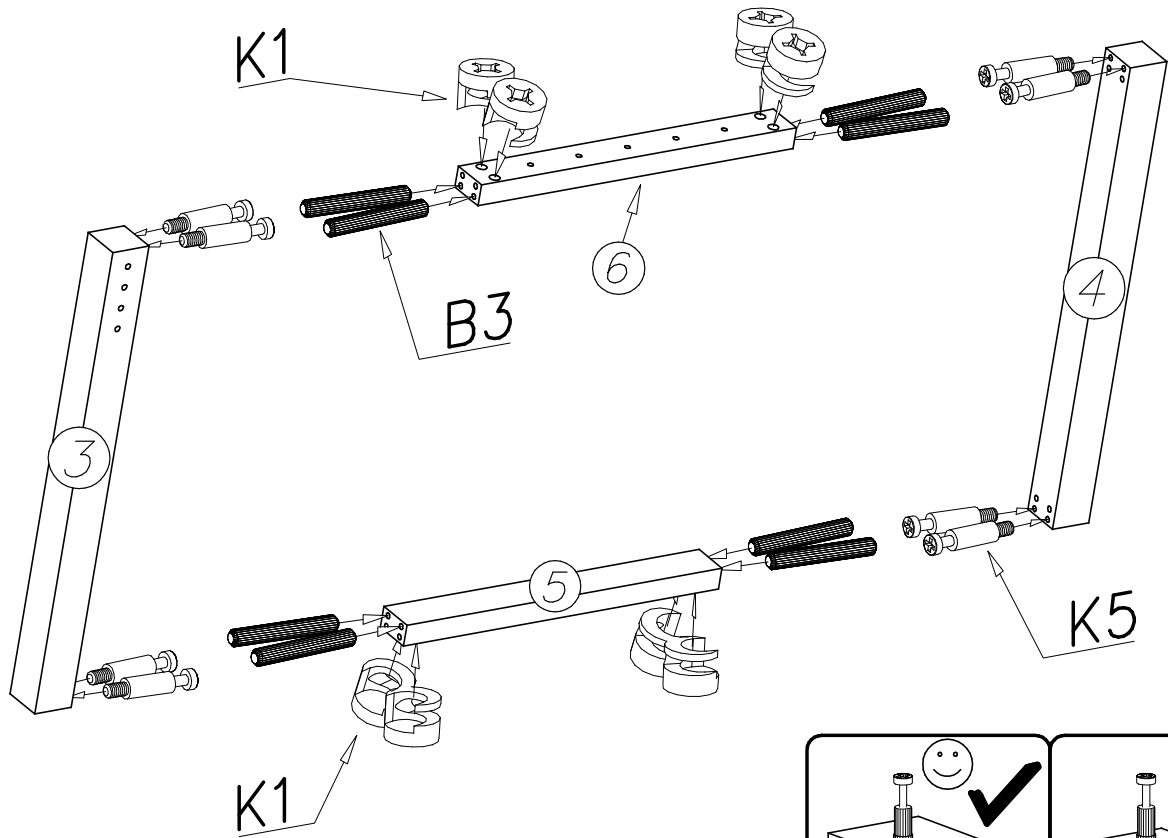
K5  x23	K1  ø15x12 x23
--	--

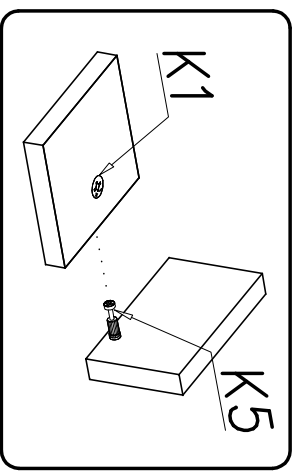
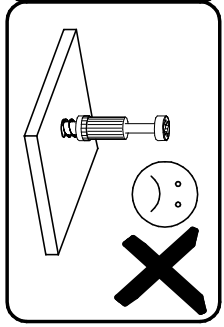
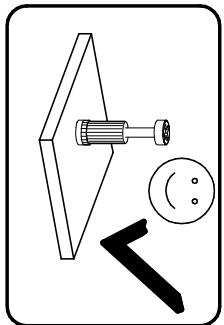
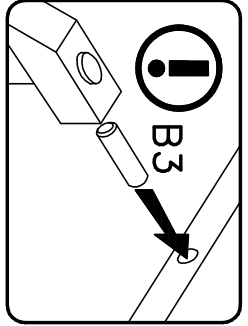
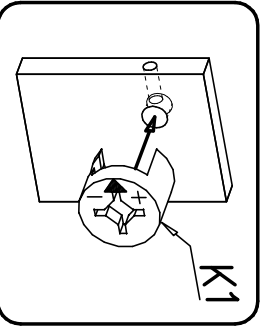
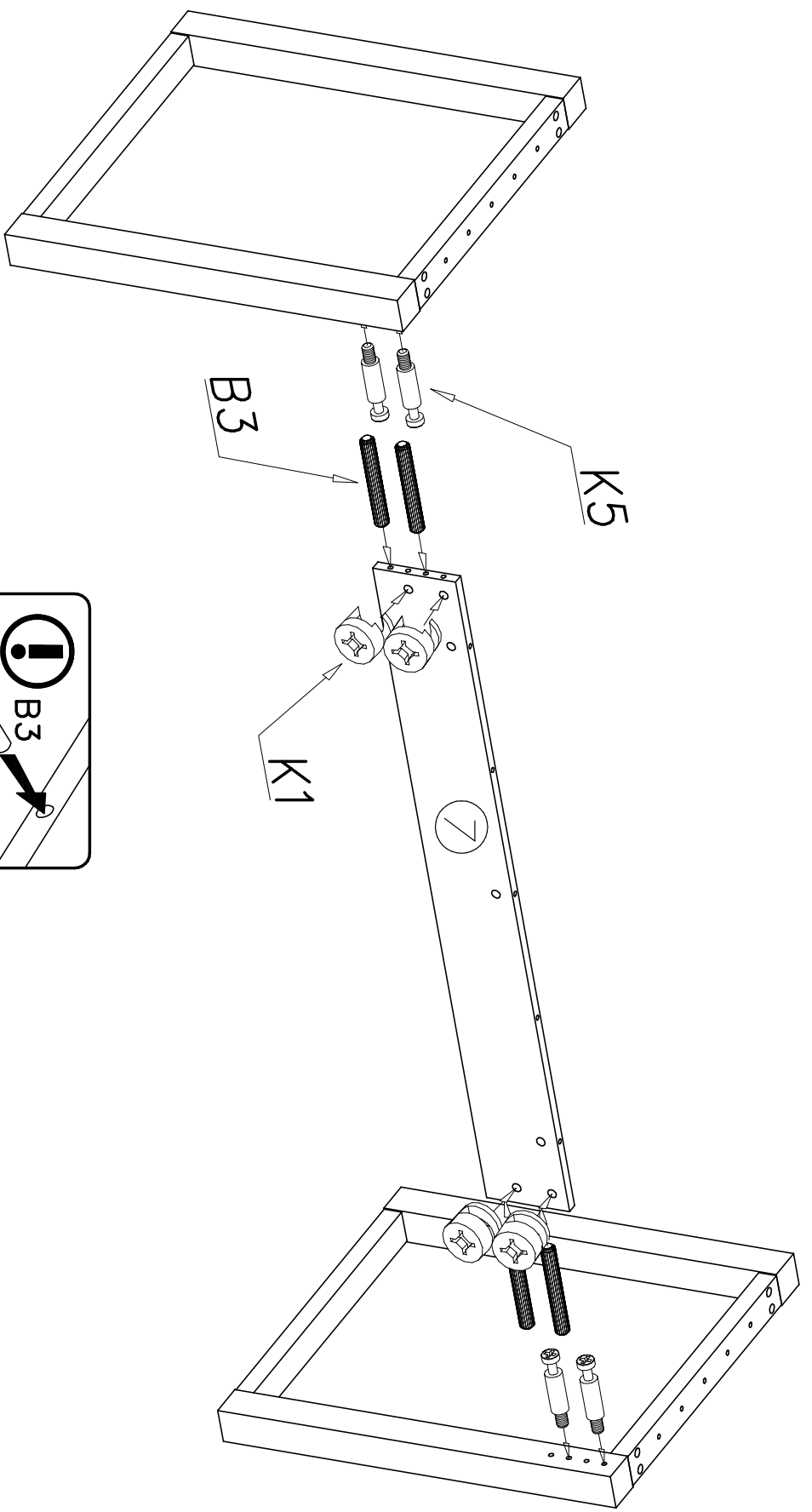
N31  M8x50 x6

B3  ø8x50 x20

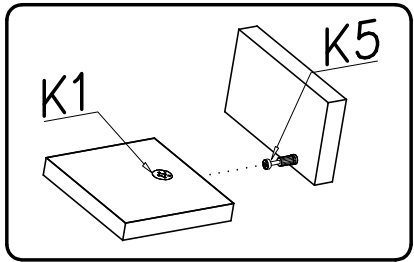
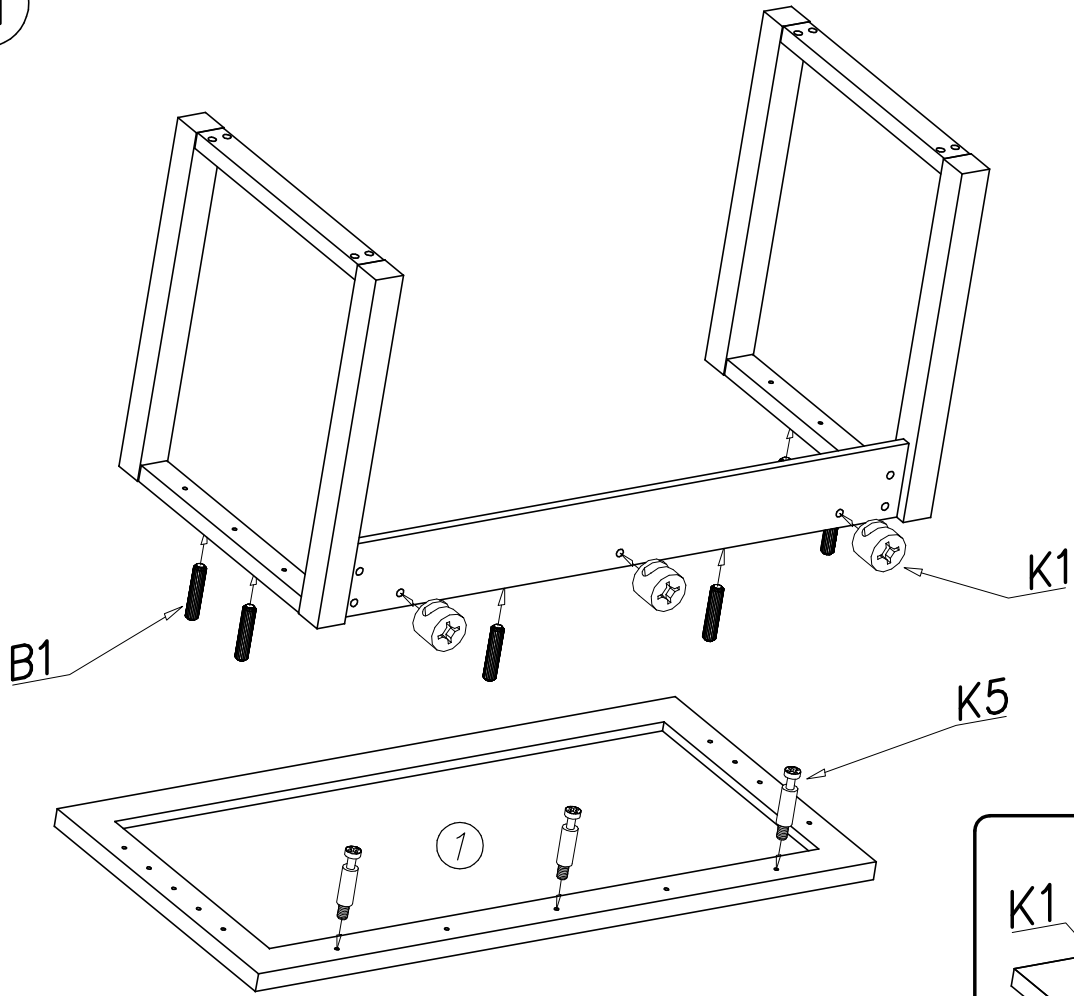
B1  ø8x35 x6
--

1





III



IV

